

VEVOR[®]

TOUGH TOOLS, HALF PRICE

Technical Support and E-Warranty Certificate www.vevor.com/support

PIKLER TRIANGLE SET

MODEL:ZF-2LB

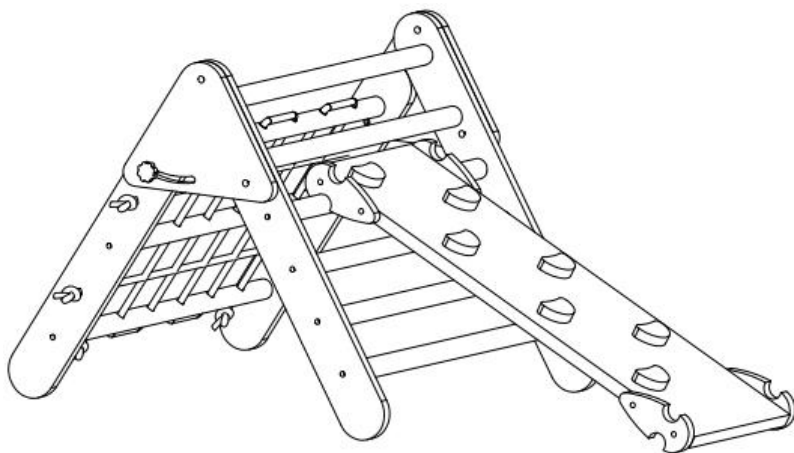
We continue to be committed to provide you tools with competitive price. "Save Half", "Half Price" or any other similar expressions used by us only represents an estimate of savings you might benefit from buying certain tools with us compared to the major top brands and does not necessarily mean to cover all categories of tools offered by us. You are kindly reminded to verify carefully when you are placing an order with us if you are actually saving half in comparison with the top major brands.

VEVOR[®]

TOUGH TOOLS, HALF PRICE

PIKLER TRIANGLE SET

MODEL: ZF-2LB



NOTE: Real objects and pictures may be slightly different, please refer to your purchase!

NEED HELP? CONTACT US!

Have product questions? Need technical support? Please feel free to contact us:

Technical Support and E-Warranty Certificate
www.vevor.com/support

This is the original instruction, please read all manual instructions carefully before operating. VEVOR reserves a clear interpretation of our user manual. The appearance of the product shall be subject to the product you received. Please forgive us that we won't inform you again if there are any technology or software updates on our product.

SAFETY INSTRUCTIONS

WARNING:



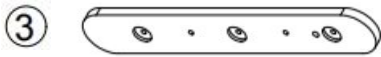
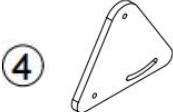
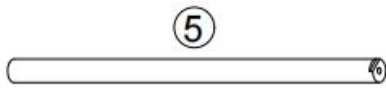
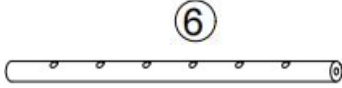
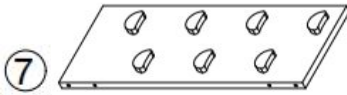





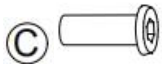



1. Please read the instructions carefully and install it correctly.
2. Assembled by an adult. In the process of play, parents should always accompany the children's side.
3. Do not install it in a dark, damp place.
4. Put it in a place with good ventilation.
5. Clean and disinfect your product frequently to keep it clean and hygienic.
6. Do not overload.

MODEL AND PARAMETERS

Model	ZF2LB
Age of application	1-3 age
Max. bearing capacity	160lbs(72.5kg)
Sets	Pikler Triangle+Thick Board
Size	830*640*610mm (Pikler Triangle) 990*385*55mm (Thick Board)
Material	Wood
Color	Natural

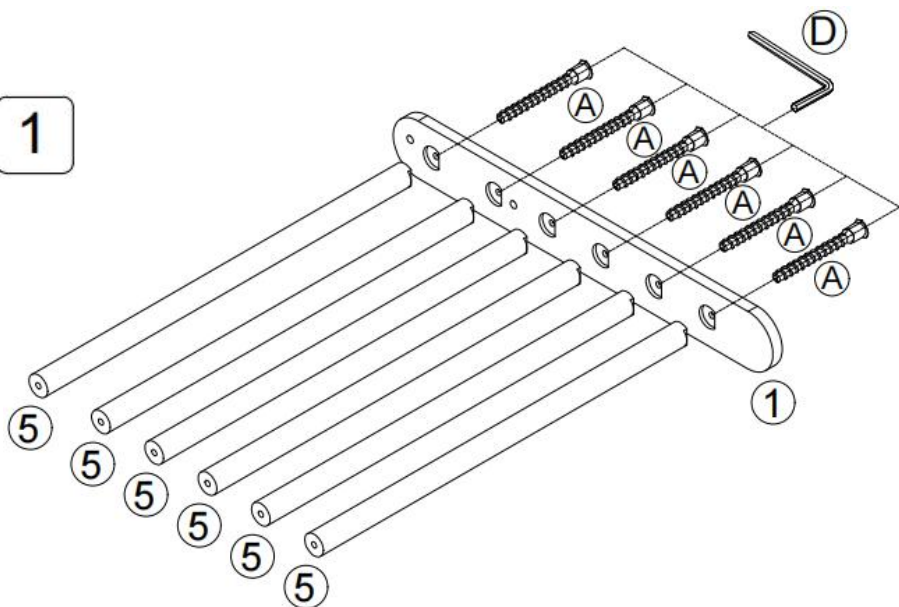
PARTS LIST AND INSTALLATION

NOTE: Please check you have all the parts as shown in the part list.

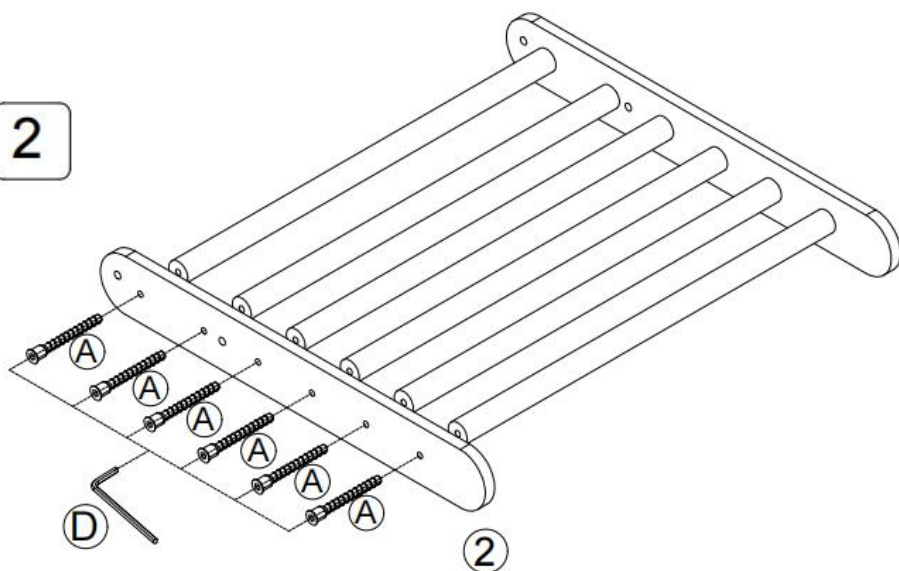
	
Long support plate(Anti-rotation design) x1	Long support plate x1
	
Short support plate(Anti-rotation design) x2	Triangular connection plate x2
	
Climbing poles(Pikler Triangle) x6	Climbing poles(Pikler Triangle) x3
	
Thick Board x1	Fish-shaped connecting plate x4
	
Long rope(L=4400mm) x1	Short rope(L=1900mm) x1
	
Bolts x18	Hexagon socket bolts x12
	
Locking nuts x4	Hex key x2
	
Plum head bolts x2	User Manual x1

Installation:

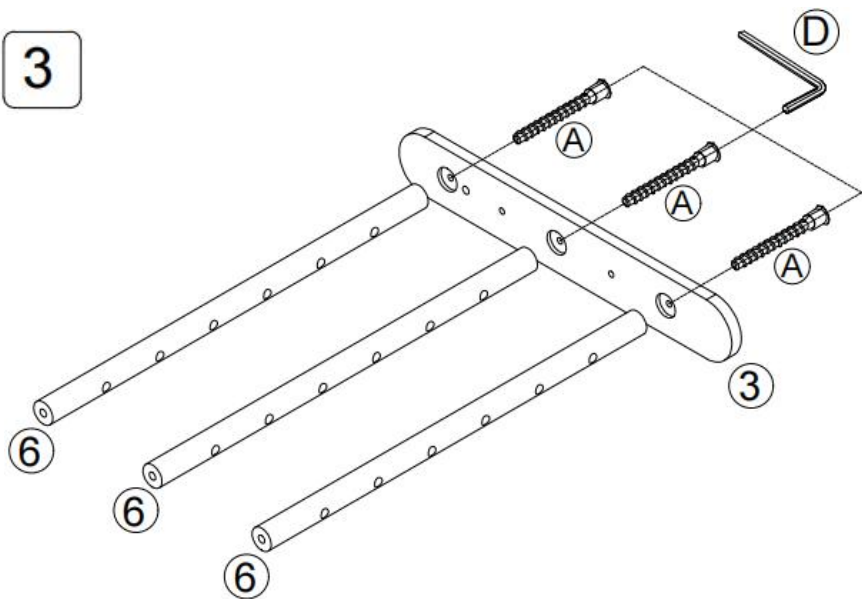
1



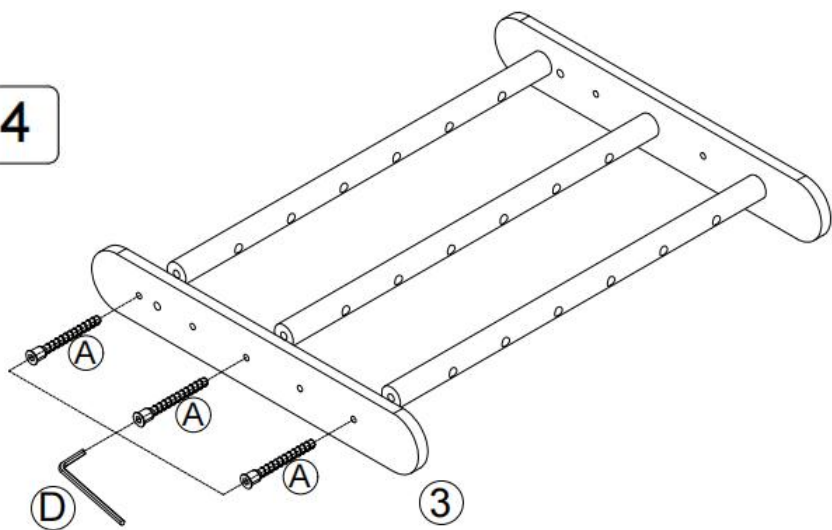
2



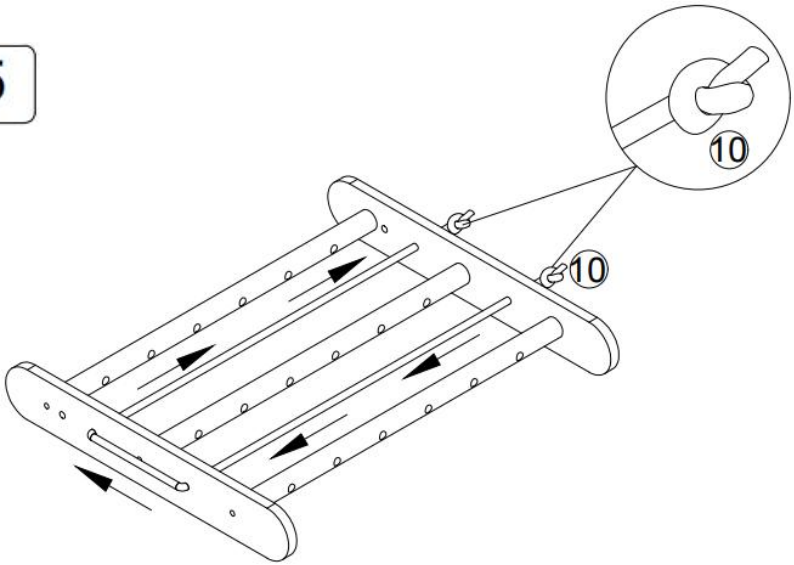
3



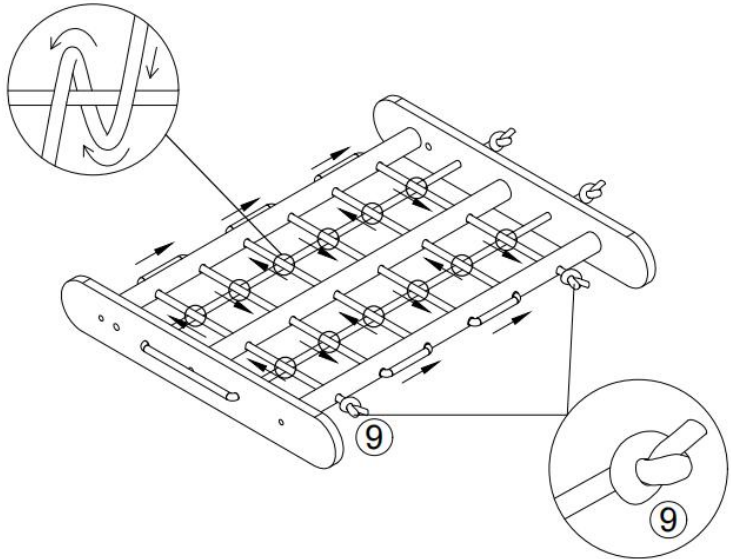
4



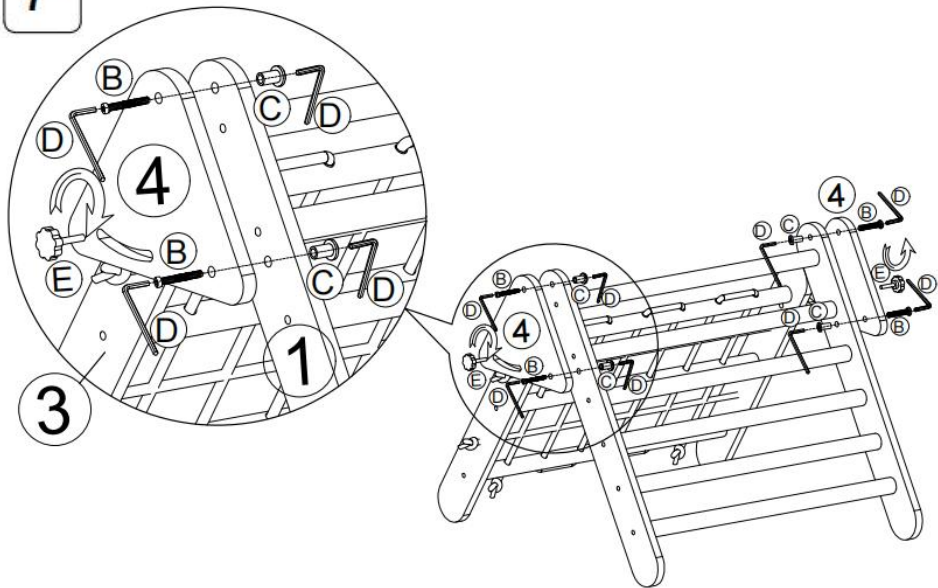
5



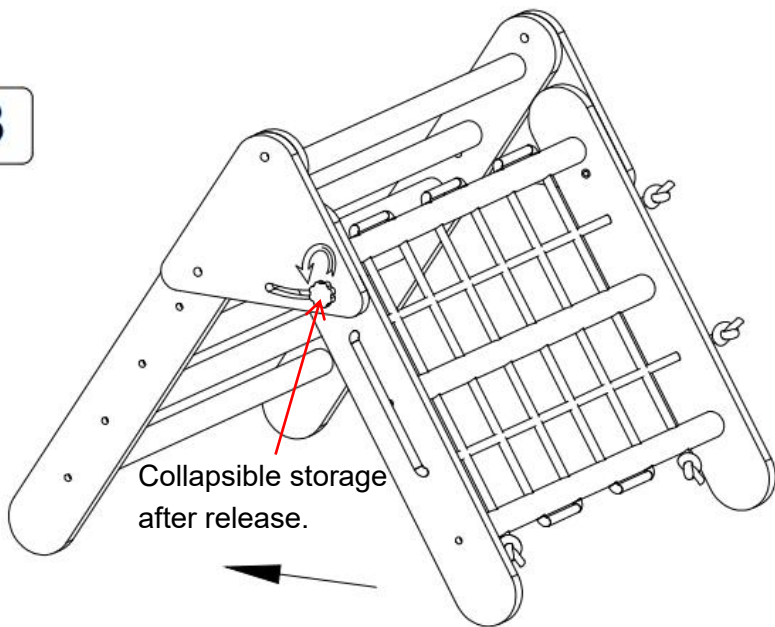
6



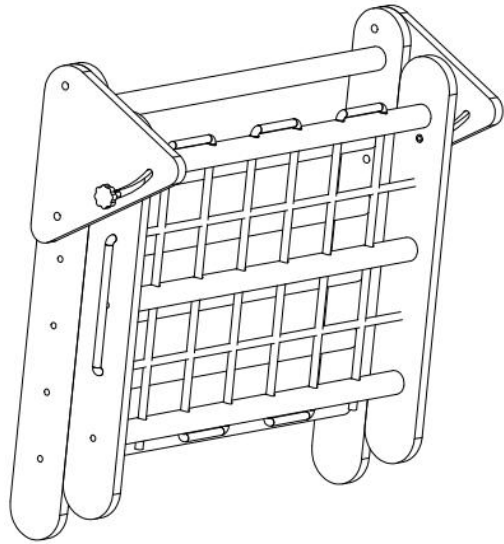
7



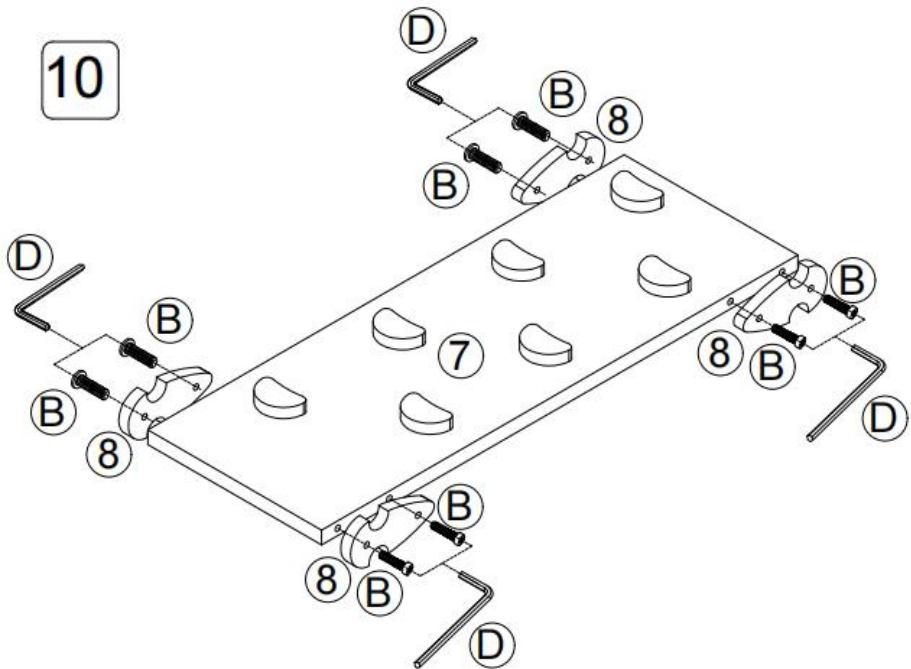
8



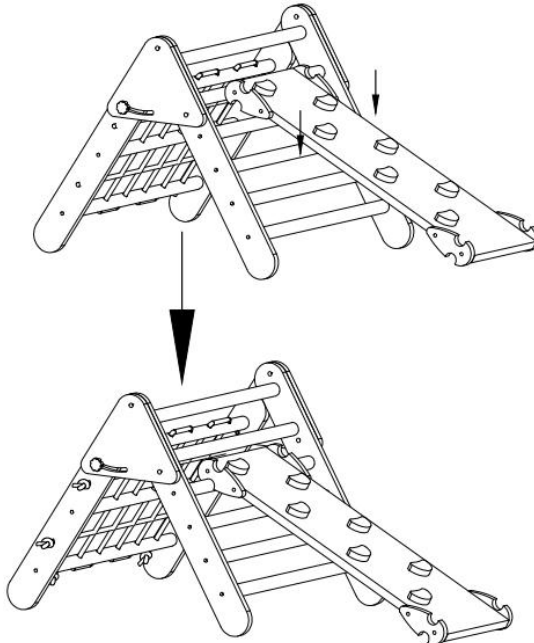
9



10



11



MAINTENANCE

1. Clean and disinfect your product frequently to keep it clean and hygienic.
2. Store away from direct sunlight.
3. Check the reliability of the parts before use.

Manufacturer:CAOXIAN ZHENGFANG ARTWARE CO.,LTD

Origin Address: GUYINGJI VILLAGE,GUYINGJI TOWN,CAOXIAN HEZE CITY CHINA

Imported to USA: Sanven Technology Ltd.

Suite 250, 9166 Anaheim Place, Rancho Cucamonga, CA 91730

Made In China

VEVOR[®]
TOUGH TOOLS, HALF PRICE

Technical Support and E-Warranty Certificate
www.vevor.com/support

VEVOR[®]

TOUGH TOOLS, HALF PRICE

Supporto tecnico e certificato di garanzia elettronica www.vevor.com/support

SET TRIANGOLO PKLER

MODELLO:ZF- 2 LB

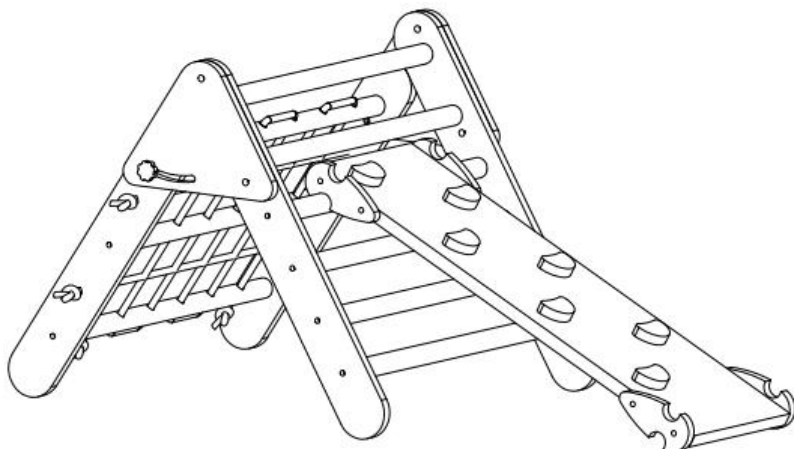
We continue to be committed to provide you tools with competitive price. "Save Half", "Half Price" or any other similar expressions used by us only represents an estimate of savings you might benefit from buying certain tools with us compared to the major top brands and does not necessarily mean to cover all categories of tools offered by us. You are kindly reminded to verify carefully when you are placing an order with us if you are actually saving half in comparison with the top major brands.

VEVOR[®]

TOUGH TOOLS, HALF PRICE

PIKLER TRIANGLE SET

MODELLO: ZF- 2 LB



NOTA: gli oggetti e le immagini reali potrebbero essere leggermente diversi, fare riferimento al tuo acquisto!

NEED HELP? CONTACT US!

Have product questions? Need technical support? Please feel free to contact us:

Technical Support and E-Warranty Certificate
www.vevor.com/support

This is the original instruction, please read all manual instructions carefully before operating. VEVOR reserves a clear interpretation of our user manual. The appearance of the product shall be subject to the product you received. Please forgive us that we won't inform you again if there are any technology or software updates on our product.

SAFETY INSTRUCTIONS

AVVERTIMENTO:

7. Si prega di leggere attentamente le istruzioni e installarlo correttamente .
8. Assemblato da un adulto. Nel processo di gioco, i genitori dovrebbero sempre accompagnare i bambini .
9. Non installarlo in un luogo buio e umido.
10. Mettilo in un luogo con una buona ventilazione .
11. Pulisci e disinfetta frequentemente il tuo prodotto per mantenerlo pulito e igienico.
12. Non sovraccaricare .






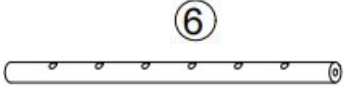
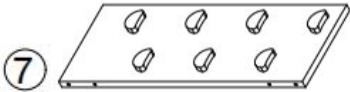

MODEL AND PARAMETERS





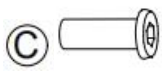



Modello	ZF2LB
Età di applicazione	1-3 anni _
Massimo . capacità portante	160 libbre (72,5 kg)
Imposta	Triangolo Pikler+Tavola spessa

Misurare	830*640*610mm (Triangolo di Pikler) 990*385*55mm (Pannello spesso)
Materiale	Legna
Colore	Naturale

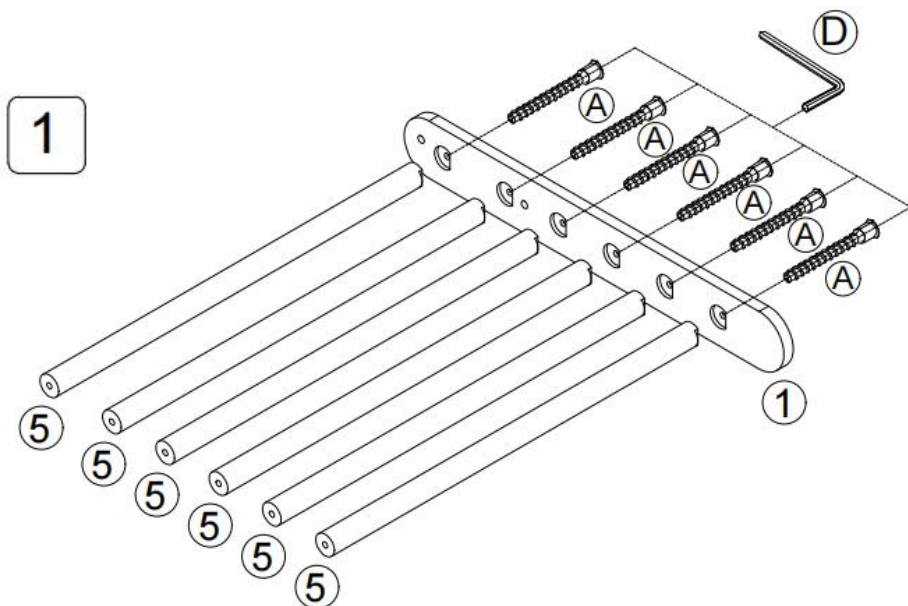
PARTS LIST AND INSTALLATION

NOTA: verificare di avere tutte le parti come mostrato nell'elenco delle parti.

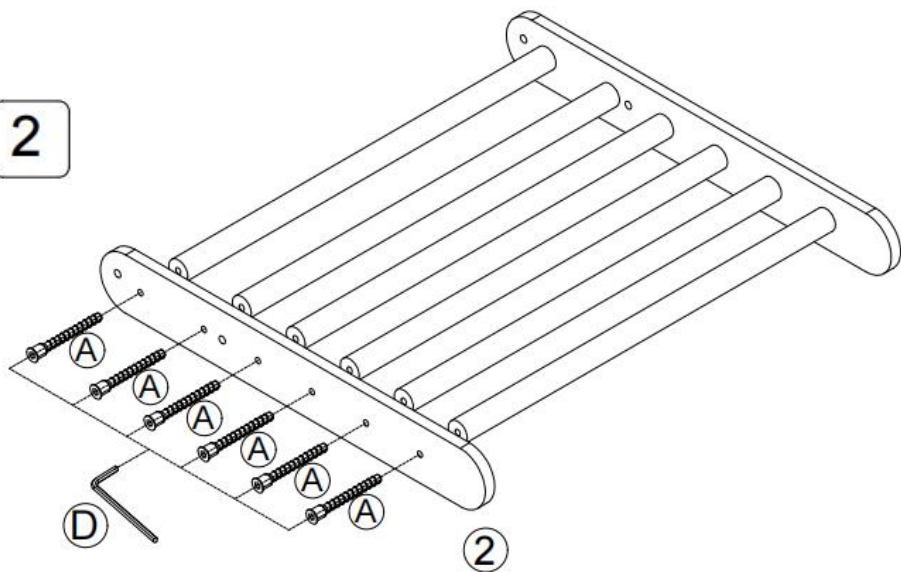
	
1 Piastra di supporto lunga (design antirotazione) x 1	2 Piastra di supporto lunga x 1
	
3 Piastra di supporto corta (design antirotazione) x 2	4 Piastra di collegamento triangolare x 2
	
5 Pali da arrampicata (Triangolo di Pikler) x6	6 Pali da arrampicata (Triangolo Pikler) x 3
	
7 Tavola spessa x 1	8 Piastra di collegamento a forma di pesce x 4

 <p>9</p>	 <p>10</p>
Corda lunga (L=4400mm) x 1	Corda corta (L=1900mm) x1 _
 <p>A</p>	 <p>B</p>
Bulloni x 18	Bulloni a esagono incassato x 12
 <p>C</p>	 <p>D</p>
Dadi di bloccaggio x 4	Chiave esagonale x 2
 <p>E</p>	
Bulloni a testa prugna x 2	Manuale utentex1

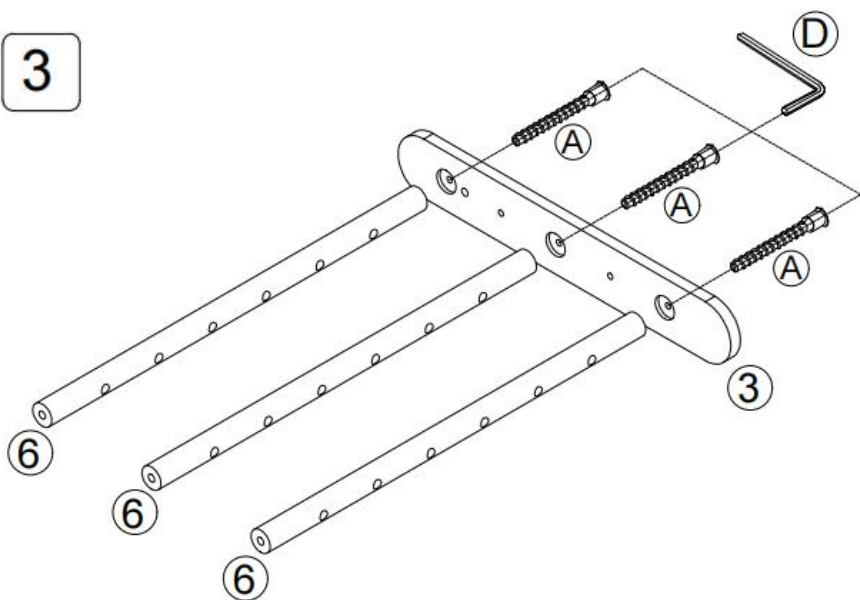
Installazione:



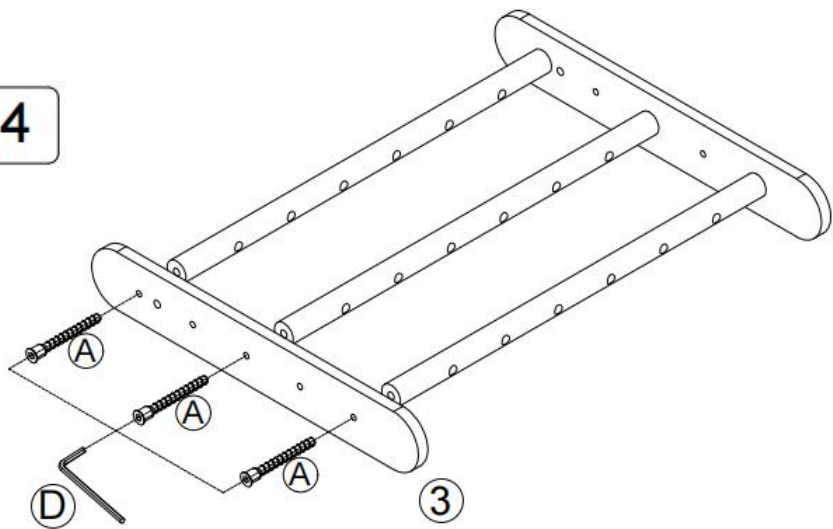
2



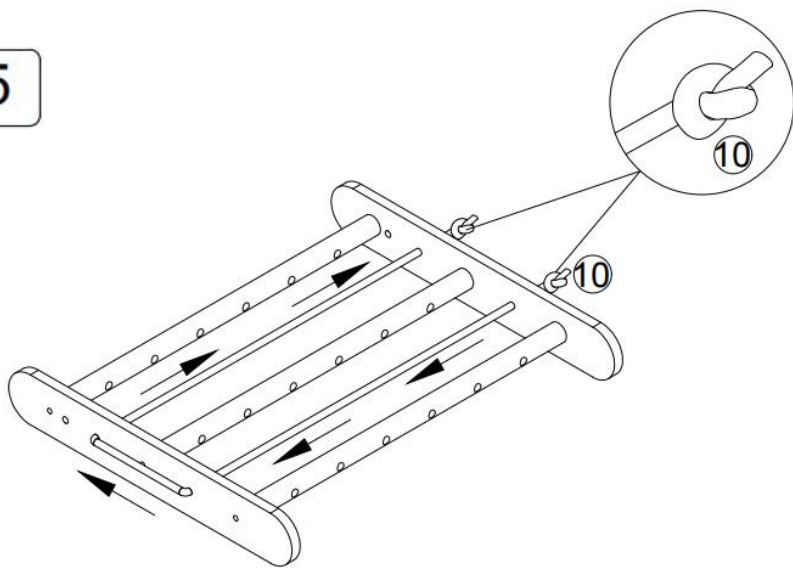
3



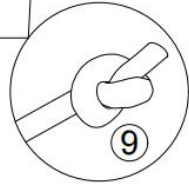
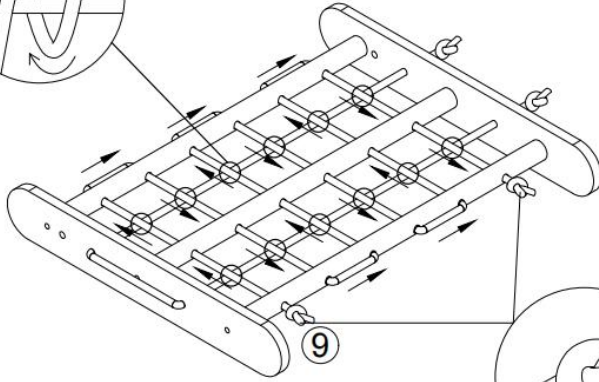
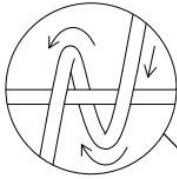
4



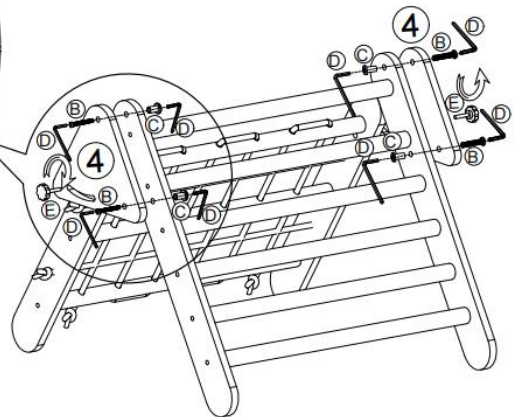
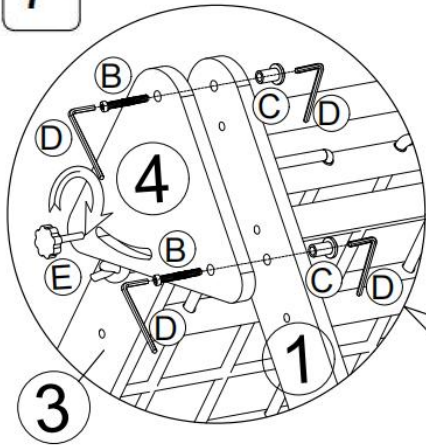
5



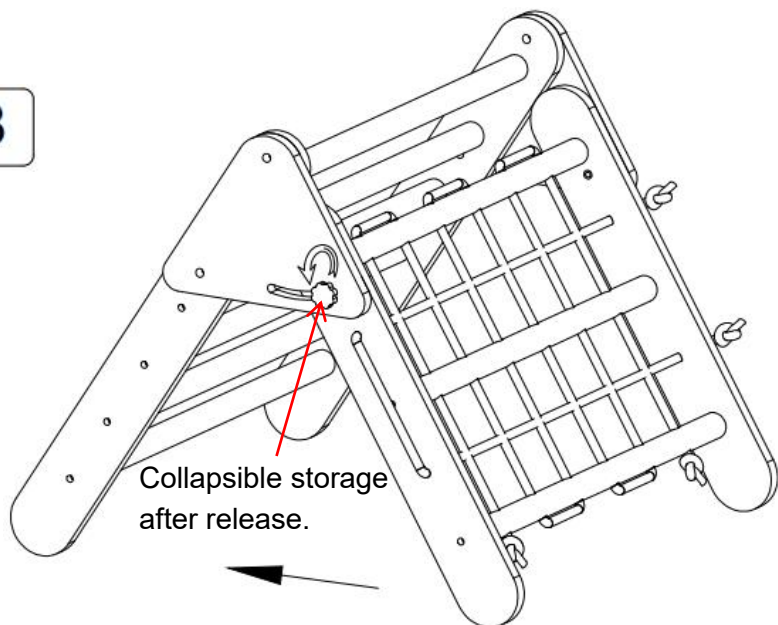
6



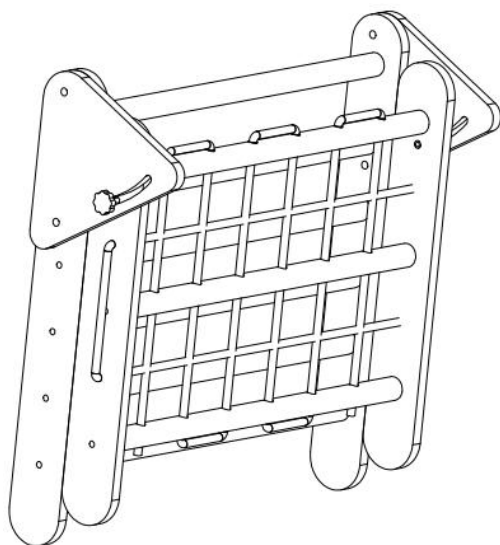
7



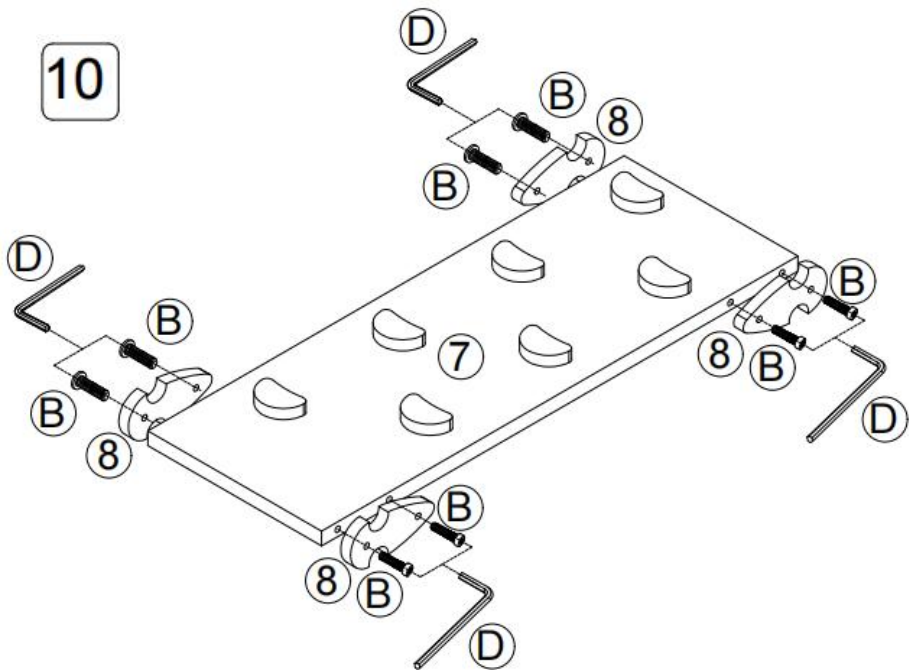
8



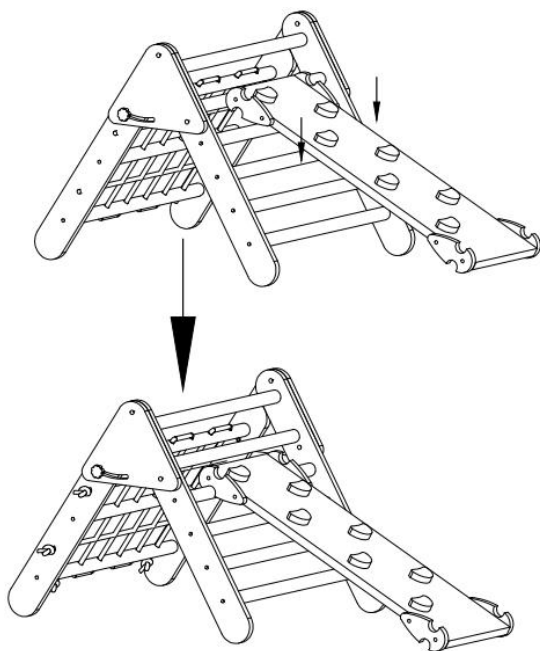
9



10



11



MAINTENANCE

4. Pulisci e disinfetta frequentemente il tuo prodotto per mantenerlo pulito e igienico.
5. Conservare lontano dalla luce solare diretta .
6. Verificare l'affidabilità delle parti prima dell'uso.

Produttore:CAOXIAN ZHENGFANG ARTWARE CO.,LTD

Indirizzo di origine: VILLAGGIO DI GUYINGJI, CITTÀ DI GUYINGJI, CITTÀ DI CAOXIAN HEZE CINA

Importato negli Stati Uniti: Sanven Technology Ltd.

Suite 250, 9166 Anaheim Place, Rancho Cucamonga, CA 91730

Made in China

VEVOR[®]
TOUGH TOOLS, HALF PRICE

Tecnico Supporto e certificato di garanzia elettronica
www.vevor.com/support

VEVOR[®]

TOUGH TOOLS, HALF PRICE

Wsparcie techniczne i certyfikat e-gwarancji www.vevor.com/support

ZESTAW TRÓJKĄTÓW PIKLERA

MODEL: ZF- 2 LB

We continue to be committed to provide you tools with competitive price.

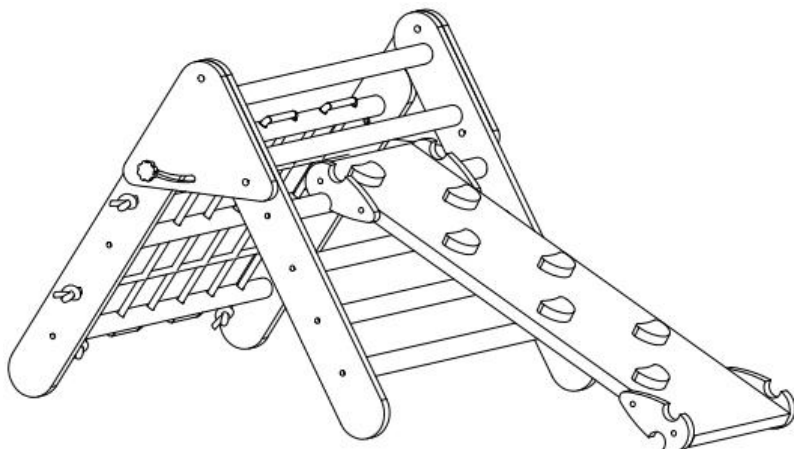
"Save Half", "Half Price" or any other similar expressions used by us only represents an estimate of savings you might benefit from buying certain tools with us compared to the major top brands and does not necessarily mean to cover all categories of tools offered by us. You are kindly reminded to verify carefully when you are placing an order with us if you are actually saving half in comparison with the top major brands.

VEVOR[®]

TOUGH TOOLS, HALF PRICE

PIKLER TRIANGLE SET

MODEL: ZF- 2 LB



UWAGA: Rzeczywiste obiekty i zdjęcia mogą się nieznacznie różnić, prosimy zapoznać się z zakupem!

NEED HELP? CONTACT US!

Have product questions? Need technical support? Please feel free to contact us:

Technical Support and E-Warranty Certificate
www.vevor.com/support

This is the original instruction, please read all manual instructions carefully before operating. VEVOR reserves a clear interpretation of our user manual. The appearance of the product shall be subject to the product you received. Please forgive us that we won't inform you again if there are any technology or software updates on our product.

SAFETY INSTRUCTIONS

OSTRZEŻENIE:

13. Przeczytaj uważnie instrukcję i zainstaluj ją poprawnie.
14. Złożony przez osobę dorosłą. W trakcie zabawy rodzice powinni zawsze towarzyszyć dzieciom .
15. Nie instaluj go w ciemnym, wilgotnym miejscu.
16. Umieść go w miejscu o dobrej wentylacji .
17. czyść i dezynfekuj swój produkt , aby zachować jego czystość i higienę.
18. Nie przeciążaj .






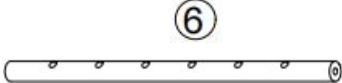
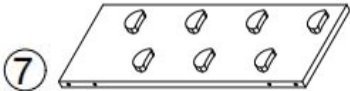



MODEL AND PARAMETERS

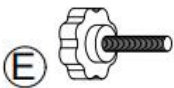
Model	ZF2LB
Wiek stosowania	1-3 lata _
Maks . nośność	160 funtów (72,5 kg)
Zestawy	Trójkąt Pikler+Gruba Deska

Rozmiar	830*640*610mm (trójkąt Piklera) 990*385*55mm (gruba płyta)
Materiał	Drewno
Kolor	Naturalny

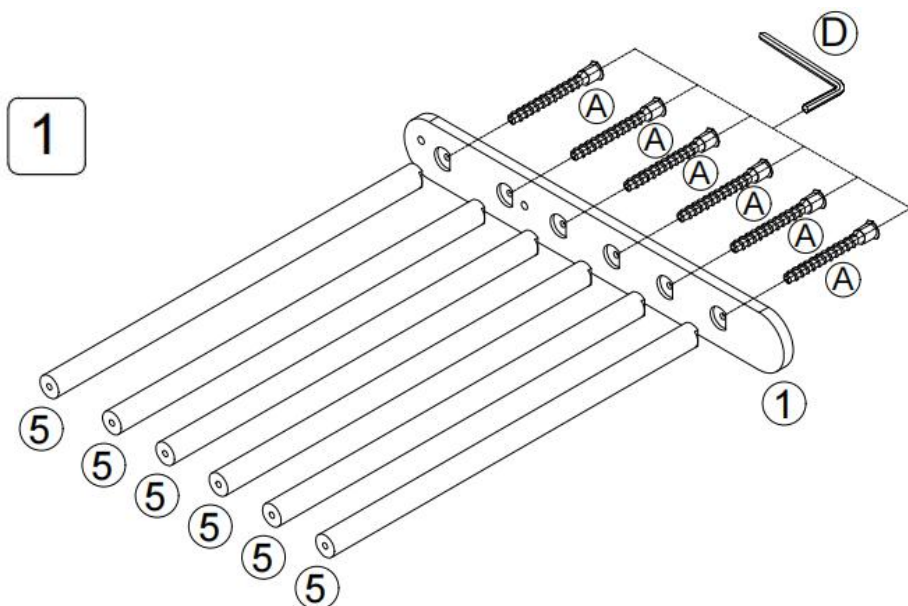
PARTS LIST AND INSTALLATION

UWAGA: Sprawdź, czy posiadasz wszystkie części wymienione na liście części.

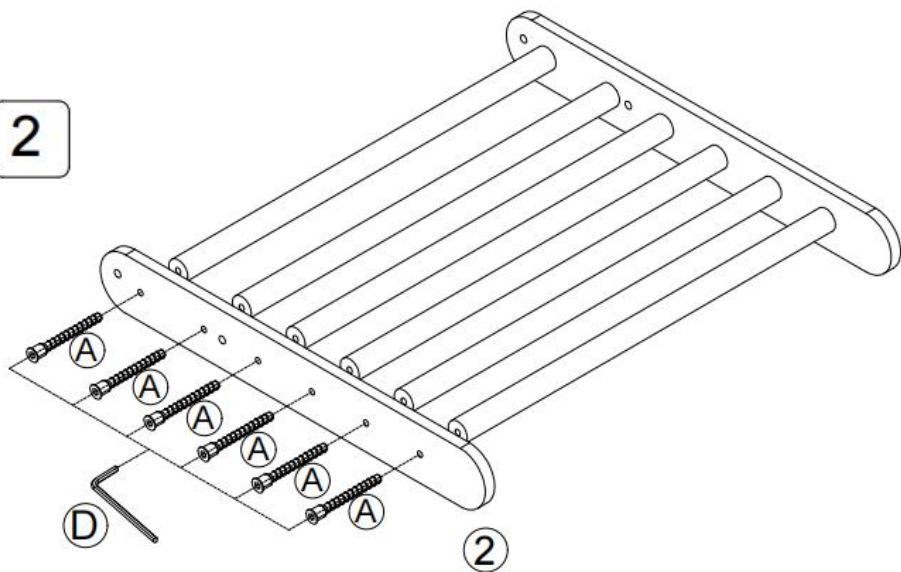
 <p>1</p>	 <p>2</p>
Długa płyta nośna (konstrukcja zapobiegająca obrotowi) x 1	Długa płyta nośna x 1
 <p>3</p>	 <p>4</p>
Krótka płyta nośna (konstrukcja zapobiegająca obrotowi) x 2	Trójkątna płyta przyłączeniowa x 2
 <p>5</p>	 <p>6</p>
Kijki wspinaczkowe (trójkąt Piklera) x 6	Kijki wspinaczkowe (trójkąt Piklera) x 3
 <p>7</p>	 <p>8</p>
Gruba deska x 1	Płyta łącząca w kształcie ryby x 4
 <p>9</p>	 <p>10</p>

Długa lina (L=4400mm) x 1	Krótka lina (L=1900mm) x 1
 A	 B
Śruby x 18	Śruby z gniazdem sześciokątnym x 12
 C	 D
Nakrętki zabezpieczające x 4	Klucz sześciokątny x 2
 E	
Śruby z łbem śliwy x 2	Instrukcja obsługi x1

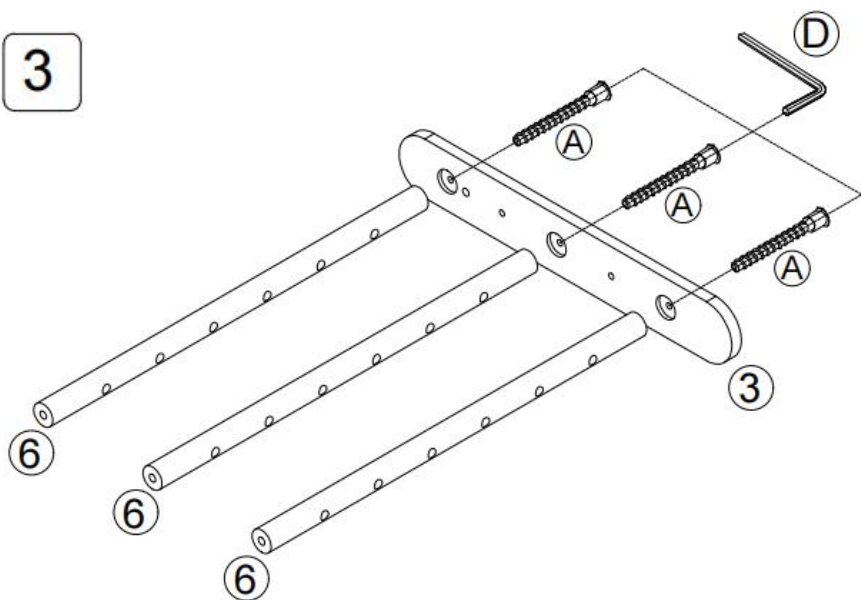
Instalacja:



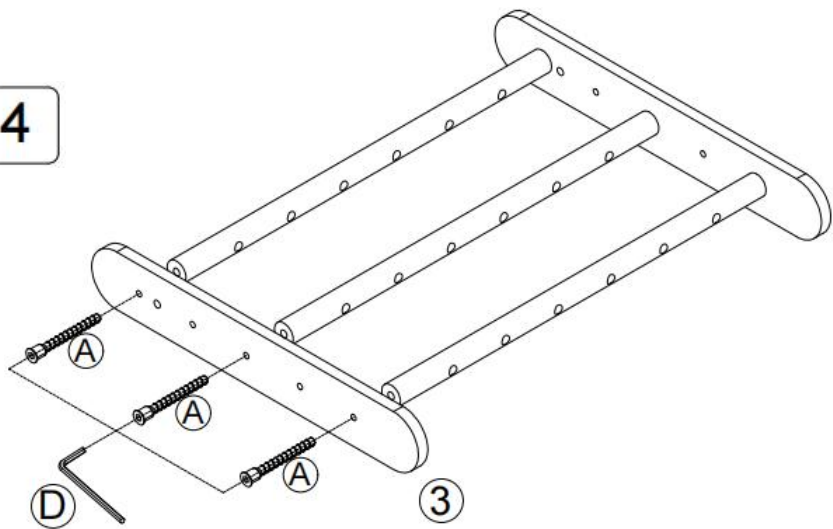
2



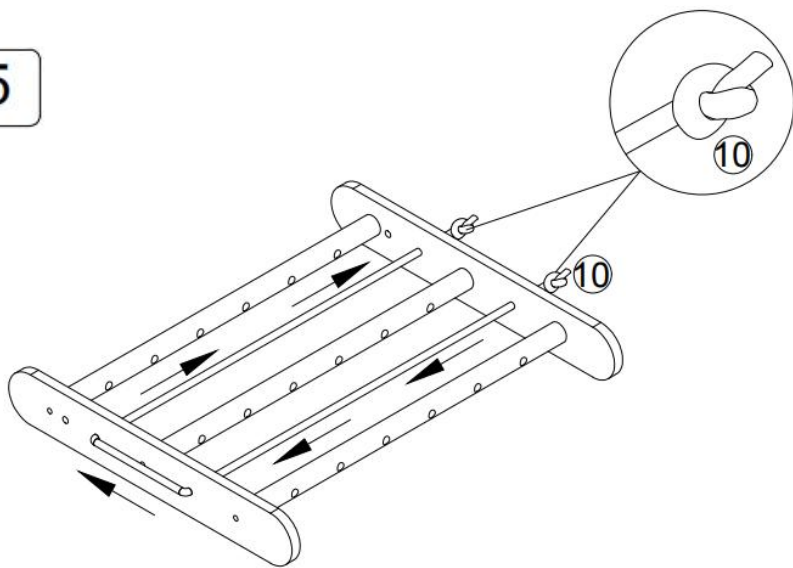
3



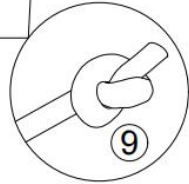
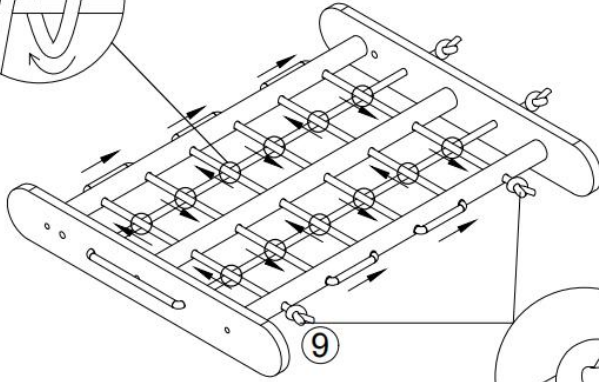
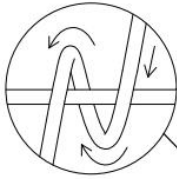
4



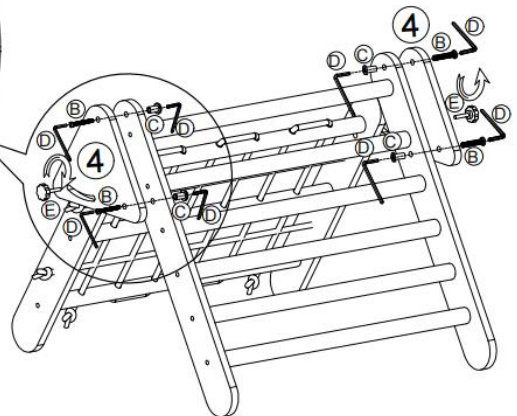
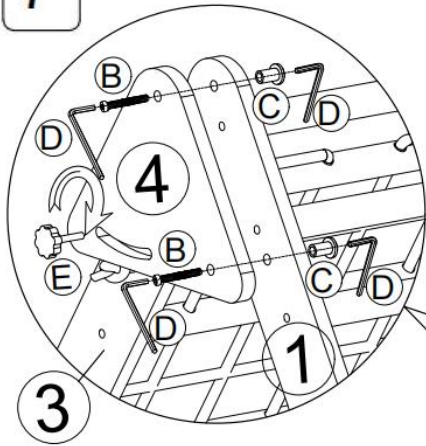
5



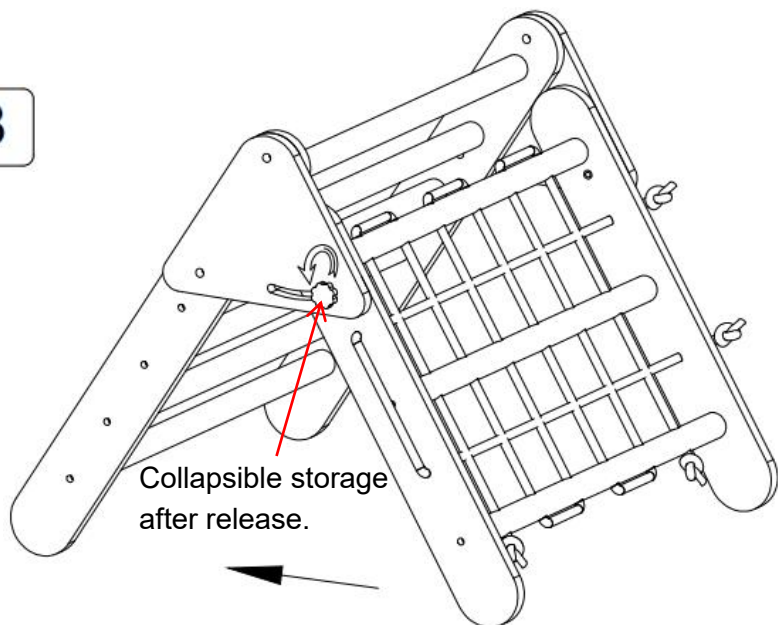
6



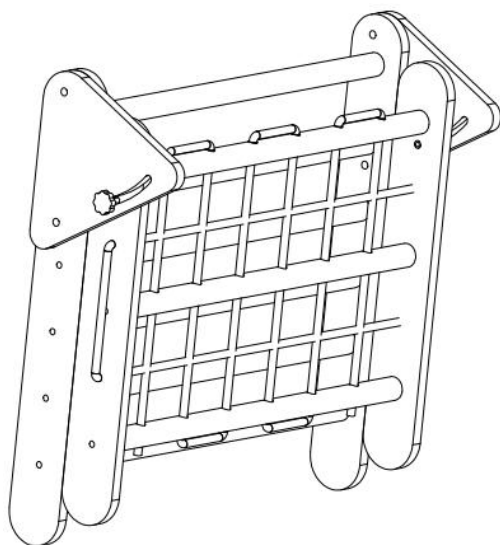
7



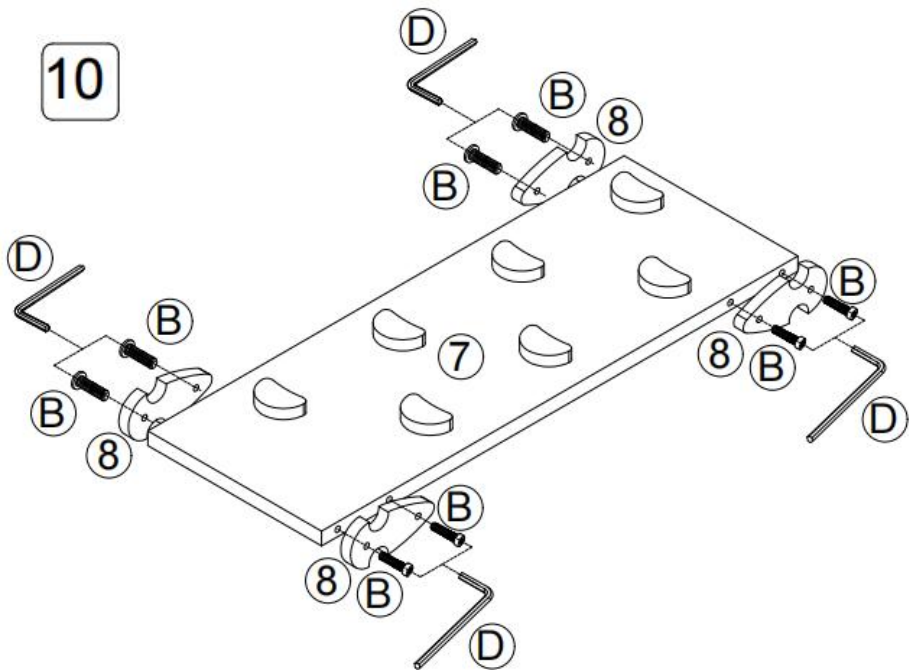
8



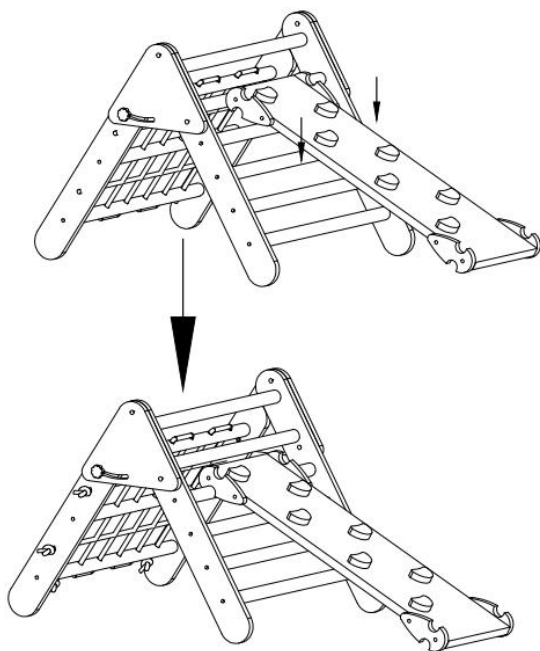
9



10



11



MAINTENANCE

7. czyścić i dezynfekuj swój produkt , aby zachować jego czystość i higienę.
8. Przechowywać z dala od bezpośredniego światła słonecznego .
9. Przed użyciem sprawdź niezawodność części .

Producent:CAOXIAN ZHENGFANG ARTWARE CO.,LTD

**Adres pochodzenia: WIOSKA GUYINGJI, MIASTO GUYINGJI, MIASTO
CAOXIAN HEZE, CHINY**

Import do USA: Sanven Technology Ltd.

Apartament 250, 9166 Anaheim Place, Rancho Cucamonga, Kalifornia 91730

Wyprodukowano w Chinach

VEVOR[®]

TOUGH TOOLS, HALF PRICE

Techniczny Certyfikat wsparcia i e-gwarancji

www.vevor.com/support

VEVOR[®]

TOUGH TOOLS, HALF PRICE

Technischer Support und E-Garantiezertifikat www.vevor.com/support

PIKLER-DREIECK-SET

MODELL: ZF- 2 LB

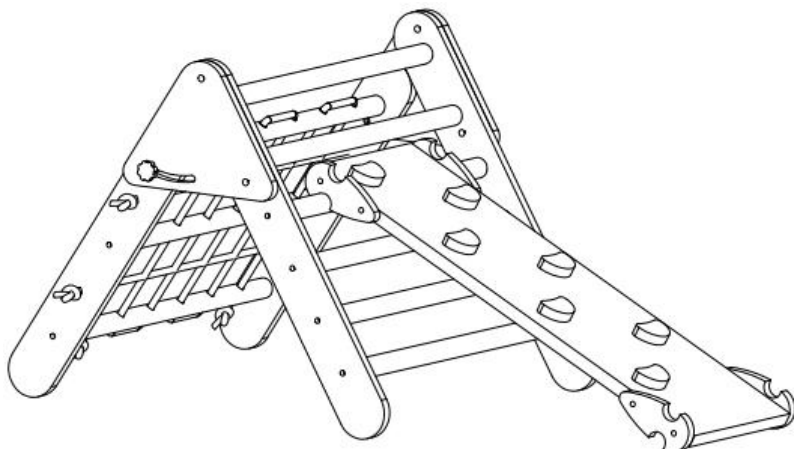
We continue to be committed to provide you tools with competitive price. "Save Half", "Half Price" or any other similar expressions used by us only represents an estimate of savings you might benefit from buying certain tools with us compared to the major top brands and does not necessarily mean to cover all categories of tools offered by us. You are kindly reminded to verify carefully when you are placing an order with us if you are actually saving half in comparison with the top major brands.

VEVOR[®]

TOUGH TOOLS, HALF PRICE

PIKLER TRIANGLE SET

MODELL: ZF- 2 LB



HINWEIS: Echte Objekte und Bilder können leicht abweichen, bitte beachten Sie Ihren Kauf!

NEED HELP? CONTACT US!

Have product questions? Need technical support? Please feel free to contact us:

Technical Support and E-Warranty Certificate
www.vevor.com/support

This is the original instruction, please read all manual instructions carefully before operating. VEVOR reserves a clear interpretation of our user manual. The appearance of the product shall be subject to the product you received. Please forgive us that we won't inform you again if there are any technology or software updates on our product.

SAFETY INSTRUCTIONS

WARNUNG:

19. Bitte lesen Sie die Anweisungen sorgfältig durch und installieren Sie es korrekt.
20. Von einem Erwachsenen zusammengebaut. Im Spielprozess sollten Eltern immer die Seite der Kinder begleiten .
21. es nicht an einem dunklen, feuchten Ort.
22. Stellen Sie es an einem Ort mit guter Belüftung auf .
23. Reinigen und desinfizieren Sie Ihr Produkt regelmäßig, um es sauber und hygienisch zu halten.
24. Nicht überladen .




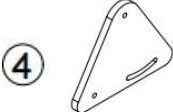

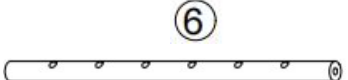




MODEL AND PARAMETERS

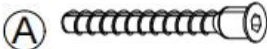

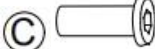



Modell	ZF 2 LB
Alter der Bewerbung	1-3 Alter _
Max . Tragfähigkeit	72,5 kg
Sets	Pikler-Dreieck + dickes Brett

Größe	830*640*610mm (Pikler-Dreieck) 990 * 385 * 55 mm (dickes Brett)
Material	Holz
Farbe	Natürlich

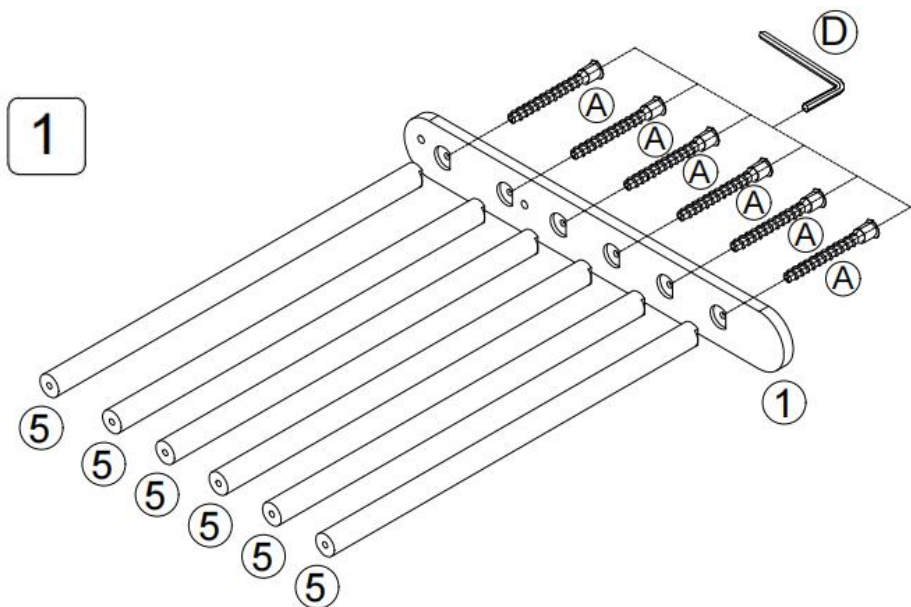
PARTS LIST AND INSTALLATION

HINWEIS: Bitte überprüfen Sie, ob alle in der Teileliste aufgeführten Teile vorhanden sind.

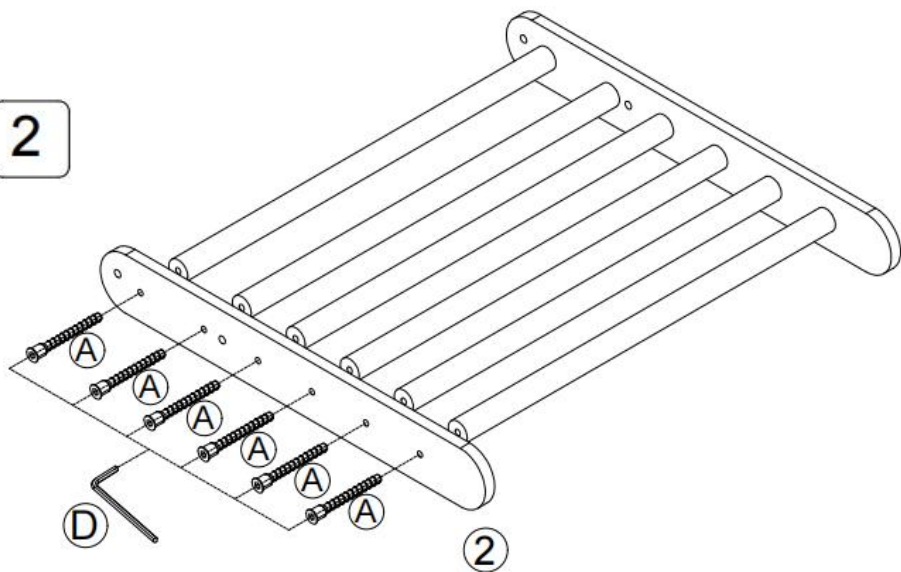
	
1 Lange Stützplatte (Rotationsschutz) x 1	2 Lange Stützplatte x 1
	
3 Kurze Stützplatte (Rotationsschutz) x 2	4 Dreieckige Verbindungsplatte x 2
	
5 Kletterstöcke (Pikler-Dreieck) x 6	6 Kletterstöcke (Pikler-Dreieck) x 3
	
7 Dickes Brett x 1	8 Fischförmige Verbindungsplatte x 4
	
9 Langes Seil (L=4400 mm) x 1	10 Kurzes Seil (L=1900mm) x 1

	
<p>Schrauben x 18</p>	<p>Innensechskantschrauben x 12</p>
	
<p>Sicherungsmuttern x 4</p>	<p>Sechskantschlüssel x 2</p>
	
<p>Pflaumenkopfschrauben x 2</p>	<p>Benutzerhandbuch x1</p>

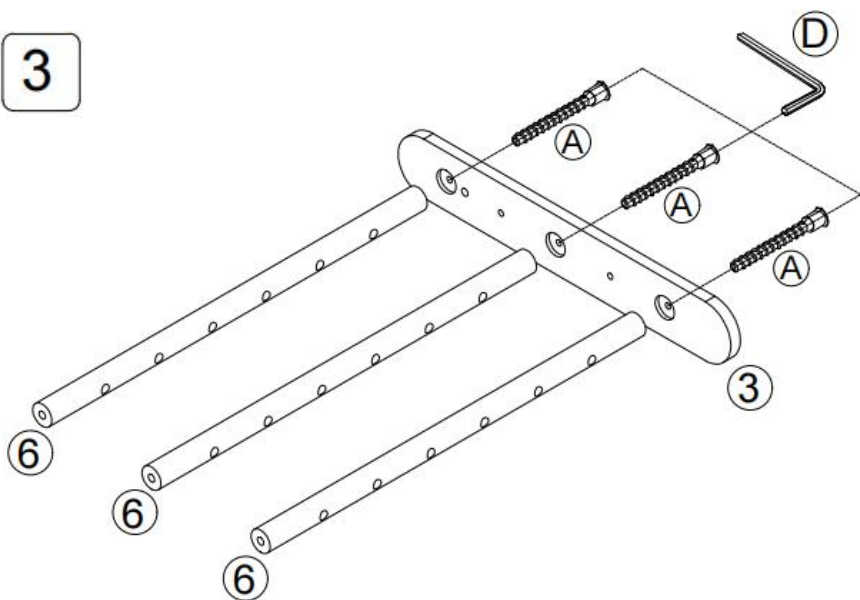
Installation:



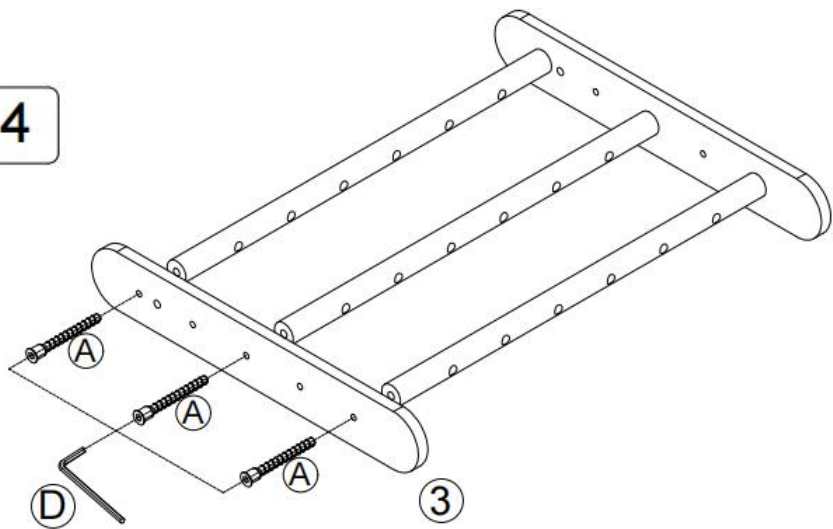
2



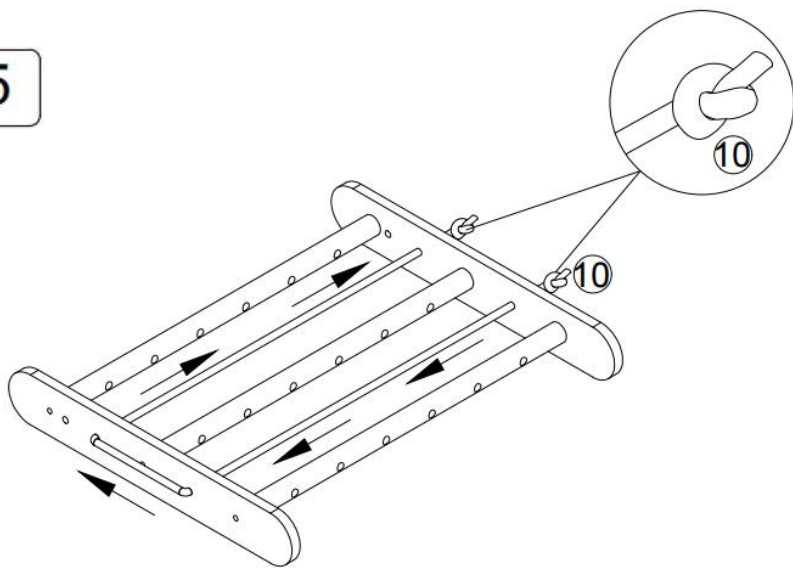
3



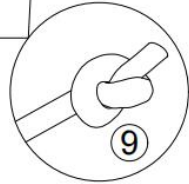
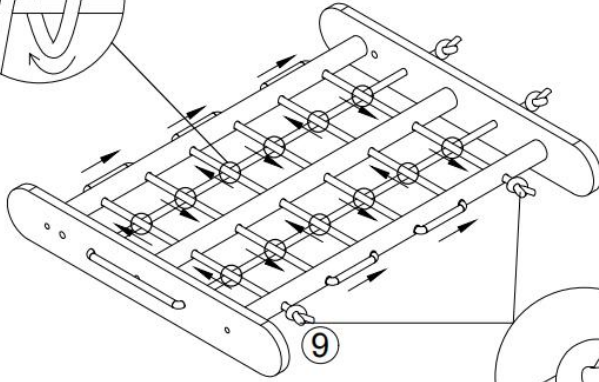
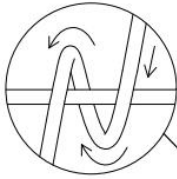
4



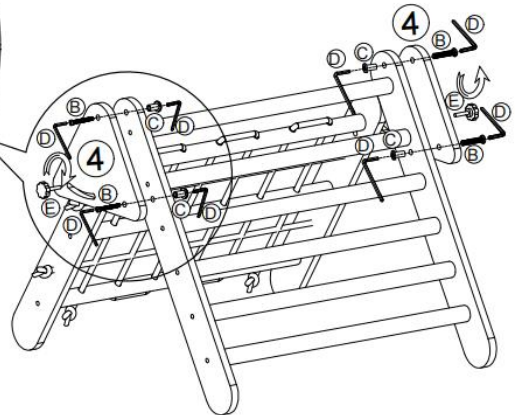
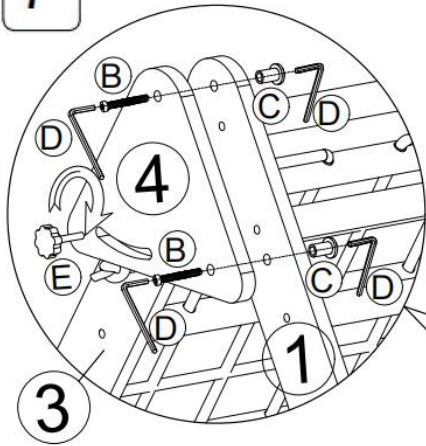
5



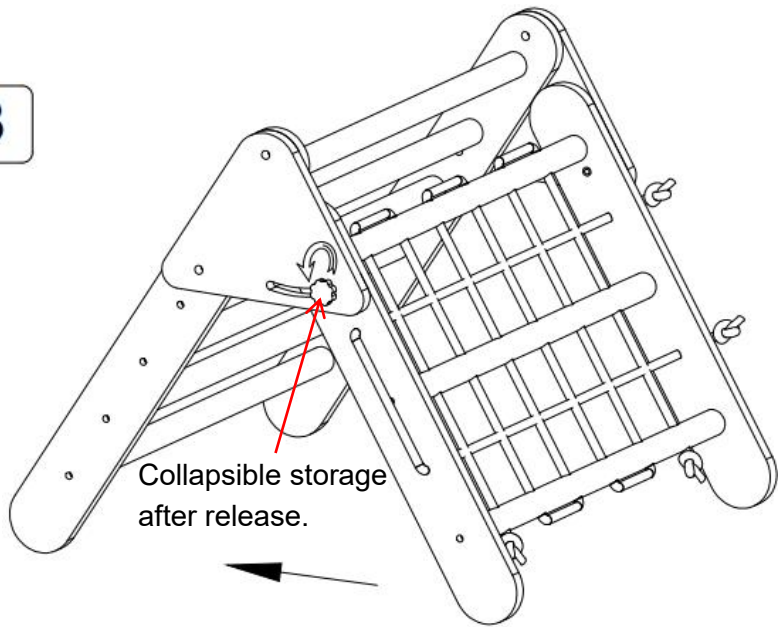
6



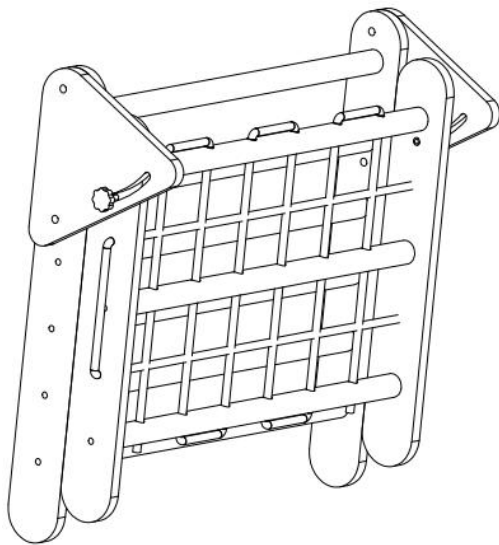
7



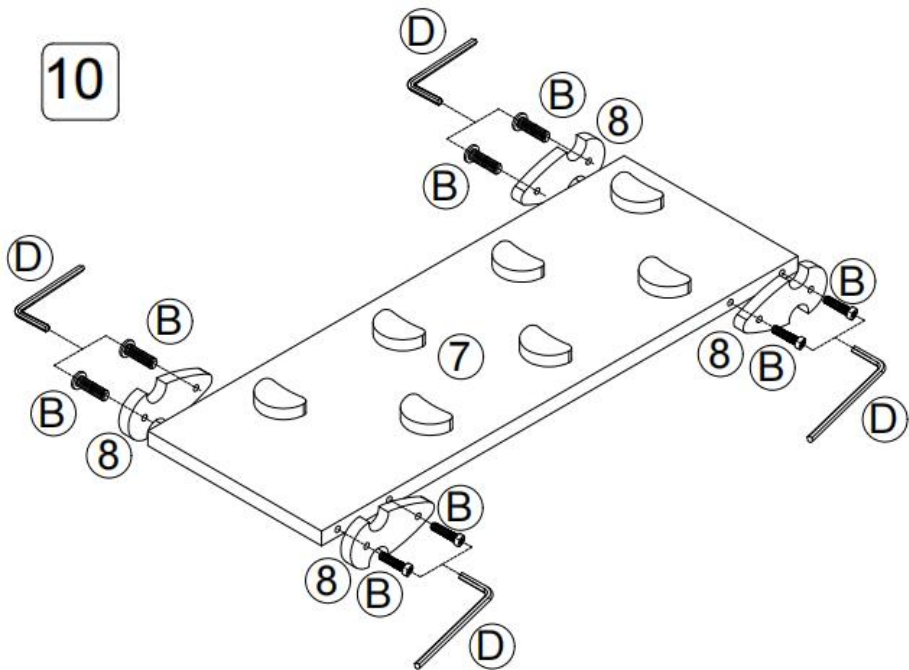
8



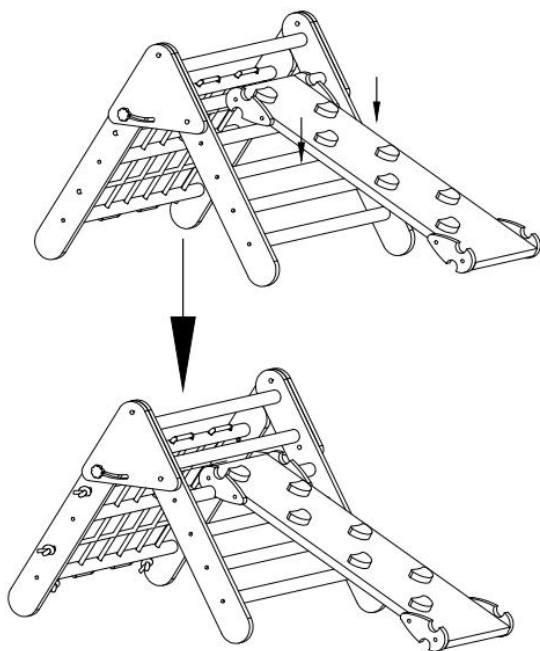
9



10



11



MAINTENANCE

10. Reinigen und desinfizieren Sie Ihr Produkt regelmäßig, um es sauber und hygienisch zu halten.
11. Vor direkter Sonneneinstrahlung schützen .
12. Überprüfen Sie vor der Verwendung die Zuverlässigkeit der Teile .

Hersteller: CAOXIAN ZHENGFANG ARTWARE CO., LTD

**Herkunftsadresse: GUYINGJI-DORF, GUYINGJI-STADT, CAOXIAN
HEZE-STADT CHINA**

Importiert in die USA: Sanven Technology Ltd.

Suite 250, 9166 Anaheim Place, Rancho Cucamonga, CA 91730

In China hergestellt

VEVOR[®]
TOUGH TOOLS, HALF PRICE

Technisch Support- und E-Garantiezertifikat
www.vevor.com/support

VEVOR[®]

TOUGH TOOLS, HALF PRICE

Assistance technique et certificat de garantie électronique www.vevor.com/support

ENSEMBLE TRIANGLE PIKLER

MODÈLE: ZF- 2 LB

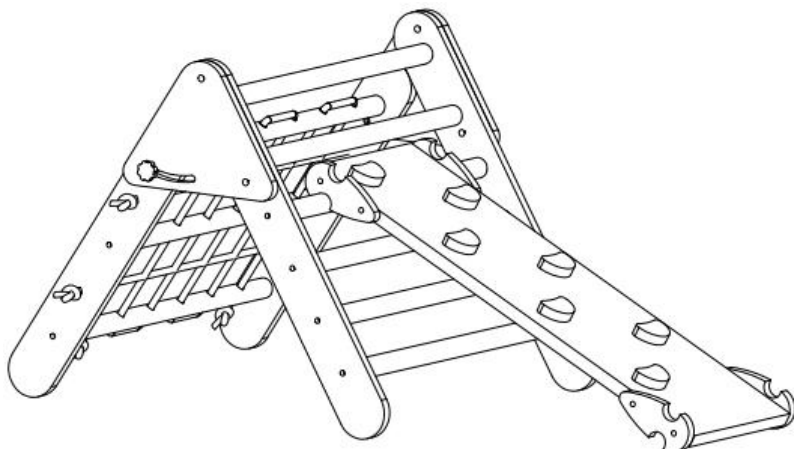
We continue to be committed to provide you tools with competitive price. "Save Half", "Half Price" or any other similar expressions used by us only represents an estimate of savings you might benefit from buying certain tools with us compared to the major top brands and does not necessarily mean to cover all categories of tools offered by us. You are kindly reminded to verify carefully when you are placing an order with us if you are actually saving half in comparison with the top major brands.

VEVOR®

TOUGH TOOLS, HALF PRICE

PIKLER TRIANGLE SET

MODÈLE : ZF -2 LB



REMARQUE : les objets réels et les images peuvent être légèrement différents, veuillez vous référer à votre achat !

NEED HELP? CONTACT US!

Have product questions? Need technical support? Please feel free to contact us:

Technical Support and E-Warranty Certificate
www.vevor.com/support

This is the original instruction, please read all manual instructions carefully before operating. VEVOR reserves a clear interpretation of our user manual. The appearance of the product shall be subject to the product you received. Please forgive us that we won't inform you again if there are any technology or software updates on our product.

SAFETY INSTRUCTIONS

AVERTISSEMENT:

25. Veuillez lire attentivement les instructions et l'installer correctement.
26. Assemblé par un adulte. Dans le processus de jeu, les parents doivent toujours accompagner les enfants .
27. Ne l'installez pas dans un endroit sombre et humide.
28. Mettez-le dans un endroit bien ventilé .
29. Nettoyez et désinfectez fréquemment votre produit pour le garder propre et hygiénique.
30. Ne surchargez pas .





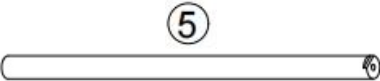
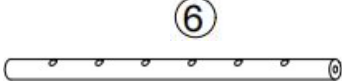


MODEL AND PARAMETERS





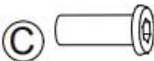

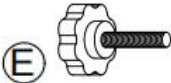

Modèle	ZF 2 LB
Âge de candidature	1-3 ans _
Max . capacité portante	160 livres (72,5 kg)
Ensembles	Triangle Pikler + planche épaisse

Taille	830*640*610mm (Triangle de Pikler) 990*385*55mm (panneau épais)
Matériel	Bois
Couleur	Naturel

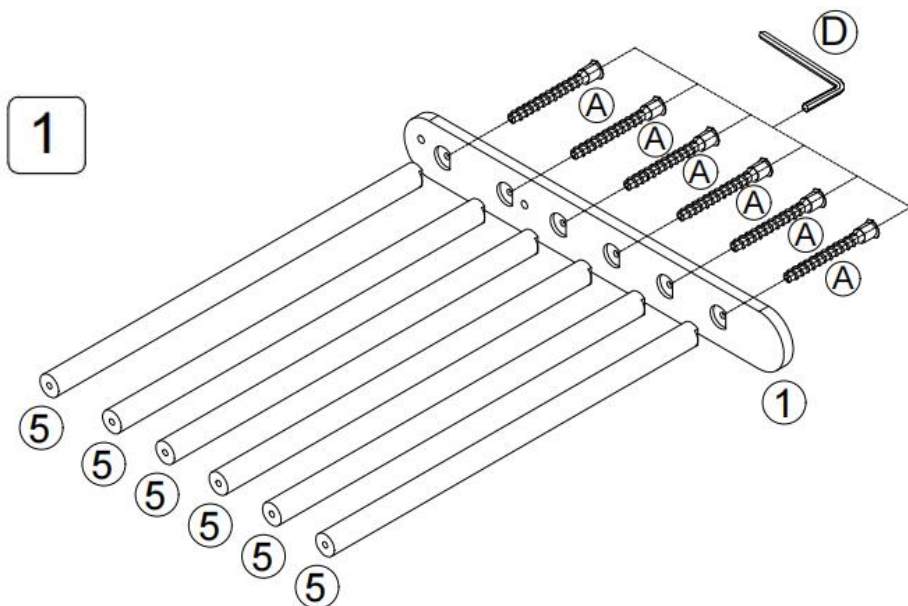
PARTS LIST AND INSTALLATION

REMARQUE : Veuillez vérifier que vous disposez de toutes les pièces indiquées dans la liste des pièces.

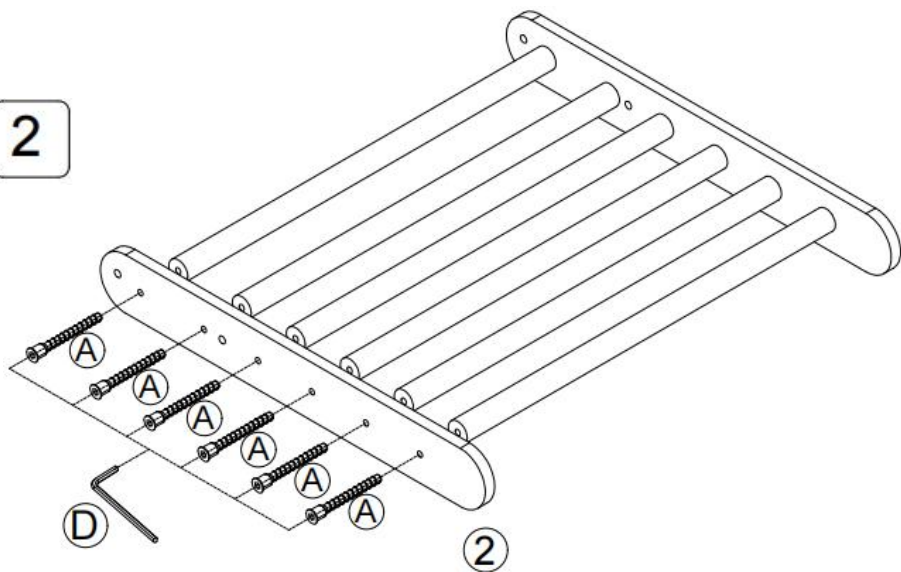
 <p>①</p>	 <p>②</p>
Plaque de support longue (conception anti-rotation) x 1	Plaque de support longue x 1
 <p>③</p>	 <p>④</p>
Plaque de support courte (conception anti-rotation) x 2	Plaque de connexion triangulaire x 2
 <p>⑤</p>	 <p>⑥</p>
Bâtons d'escalade (Triangle de Pikler) x6	Bâtons d'escalade (Triangle de Pikler) x 3
 <p>⑦</p>	 <p>⑧</p>
Planche épaisse x 1	Plaque de connexion en forme de poisson x 4

	
<p>Corde longue (L = 4400 mm) x 1</p>	<p>Corde courte (L=1900mm) x1 _</p>
	
<p>Boulons x 18</p>	<p>Boulons à six pans creux x 12</p>
	
<p>Écrous de verrouillage x 4</p>	<p>Clé hexagonale x 2</p>
	
<p>Boulons à tête prune x 2</p>	<p>Manuel d'utilisation x1</p>

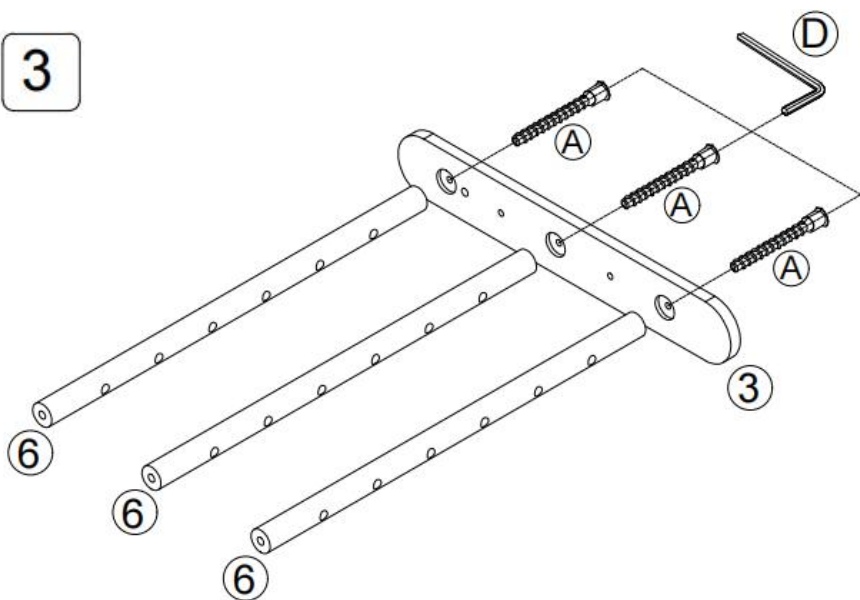
Installation:



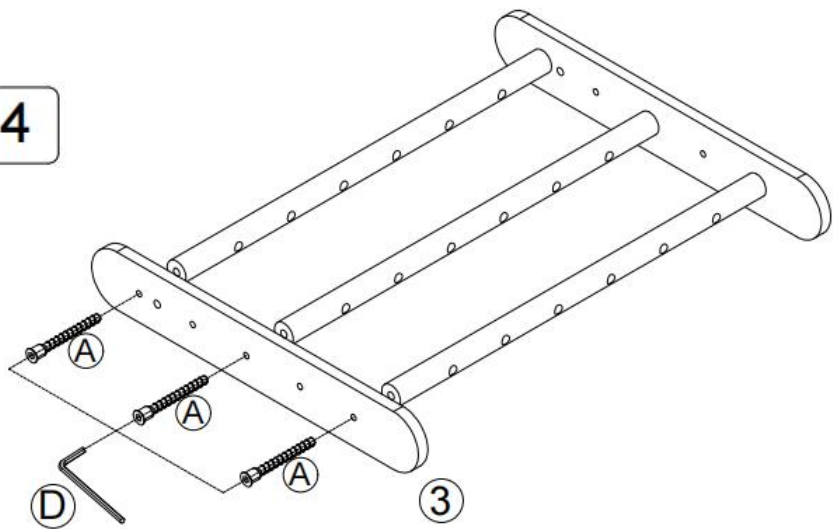
2



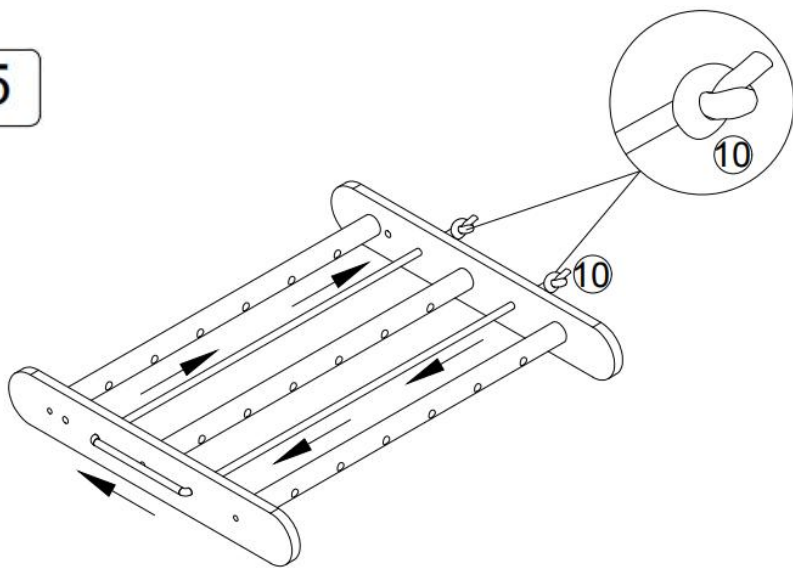
3



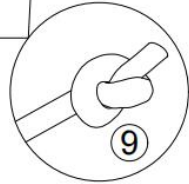
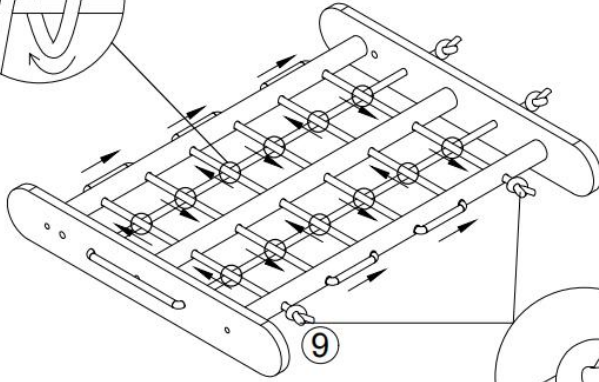
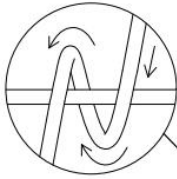
4



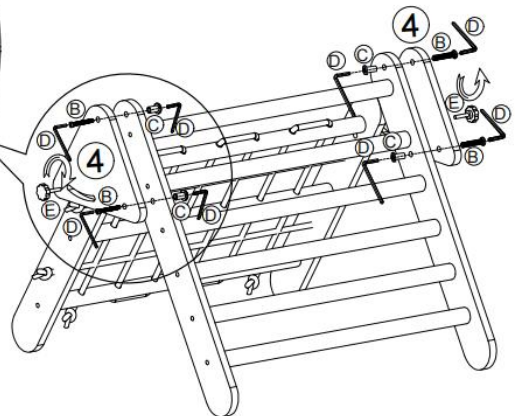
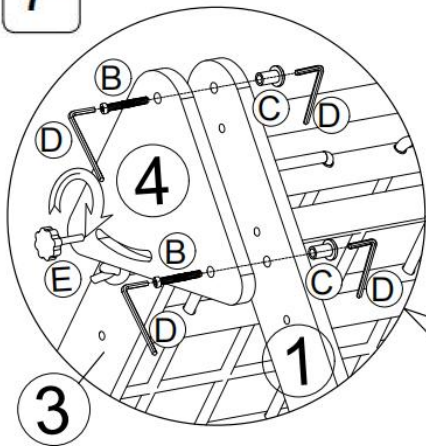
5



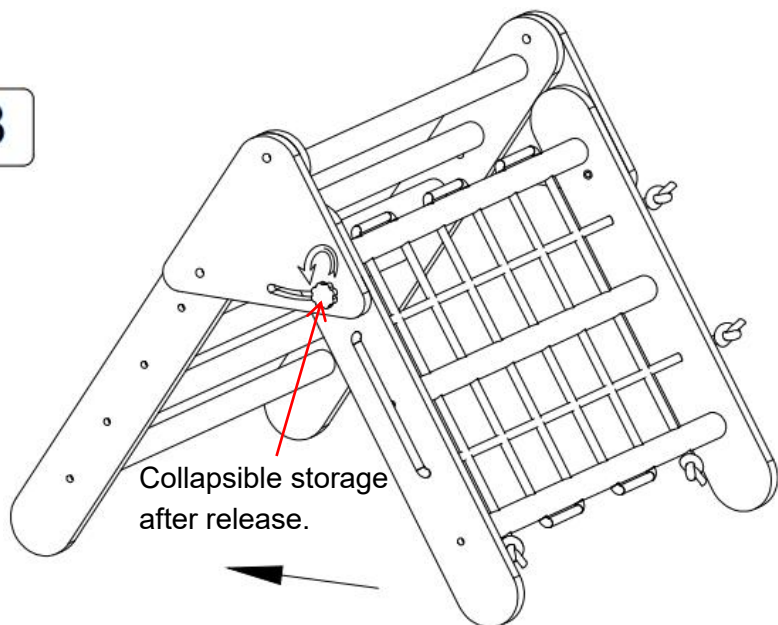
6



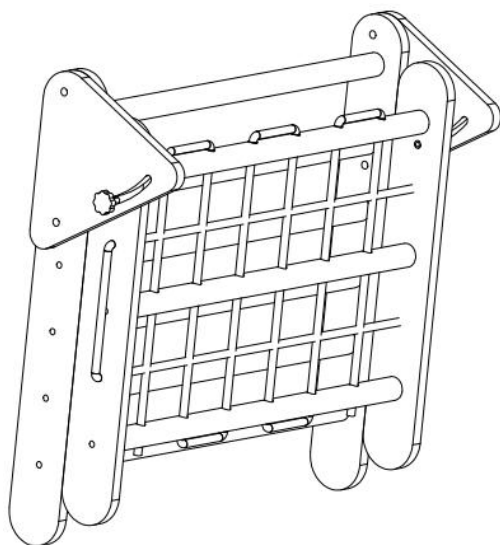
7



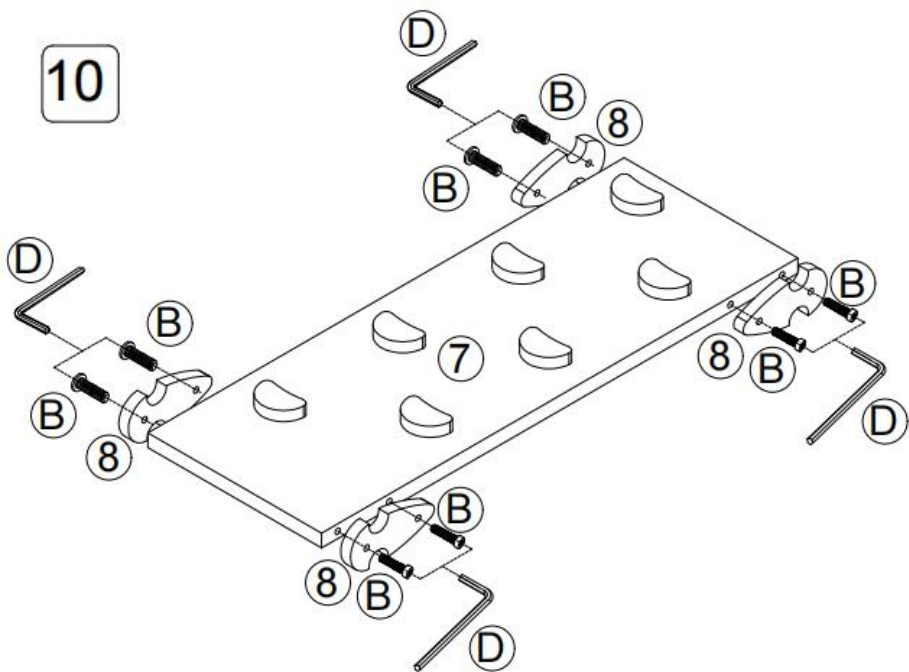
8



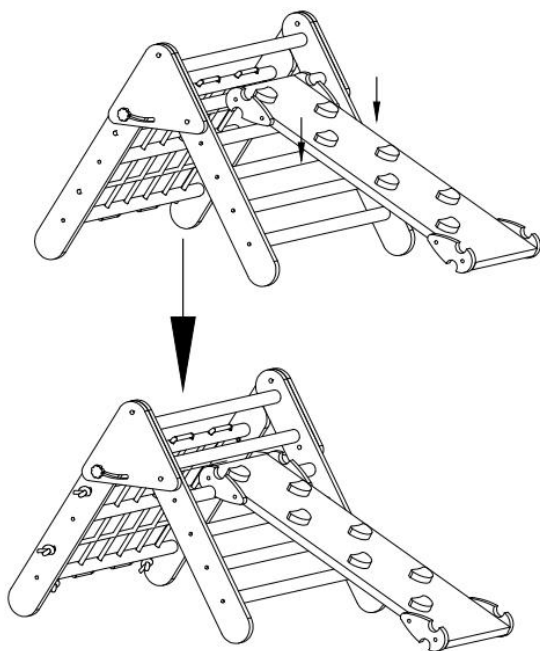
9



10



11



MAINTENANCE

13. Nettoyez et désinfectez fréquemment votre produit pour le garder propre et hygiénique.
14. Entreposer à l'écart de la lumière du soleil .
15. Vérifiez la fiabilité des pièces avant utilisation.

Fabricant: CAOXIAN ZHENG FANG ARTWARE CO., LTD

Adresse d'origine : VILLAGE DE GUYINGJI, VILLE DE GUYINGJI, VILLE DE CAOXIAN HEZE CHINE

Importé aux États-Unis : Sanven Technology Ltd.

Bureau 250, 9166 Anaheim Place, Rancho Cucamonga, CA 91730

Fabriqué en Chine

VEVOR[®]
TOUGH TOOLS, HALF PRICE

Technique Assistance et certificat de garantie électronique
www.vevor.com/support

VEVOR[®]

TOUGH TOOLS, HALF PRICE

Technische ondersteuning en e-garantiecertificaat www.vevor.com/support

PIKLER DRIEHOEKSET

MODEL: ZF- 2 LB

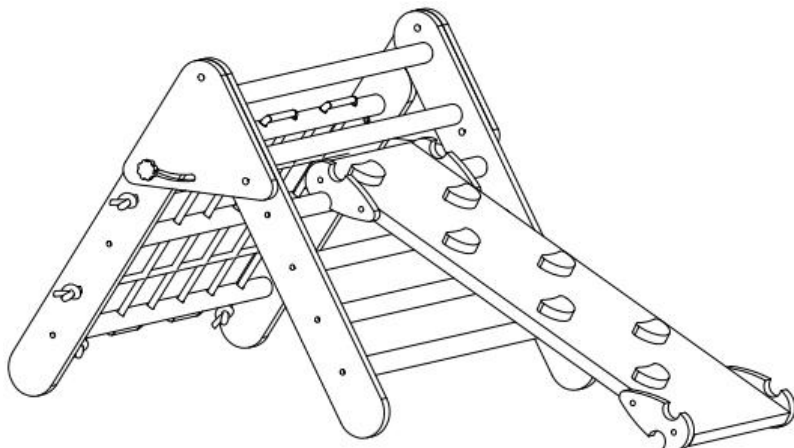
We continue to be committed to provide you tools with competitive price. "Save Half", "Half Price" or any other similar expressions used by us only represents an estimate of savings you might benefit from buying certain tools with us compared to the major top brands and does not necessarily mean to cover all categories of tools offered by us. You are kindly reminded to verify carefully when you are placing an order with us if you are actually saving half in comparison with the top major brands.

VEVOR[®]

TOUGH TOOLS, HALF PRICE

PIKLER TRIANGLE SET

MODEL: ZF -2 LB



OPMERKING: Echte objecten en afbeeldingen kunnen enigszins afwijken, raadpleeg uw aankoop!

NEED HELP? CONTACT US!

Have product questions? Need technical support? Please feel free to contact us:

Technical Support and E-Warranty Certificate
www.vevor.com/support

This is the original instruction, please read all manual instructions carefully before operating. VEVOR reserves a clear interpretation of our user manual. The appearance of the product shall be subject to the product you received. Please forgive us that we won't inform you again if there are any technology or software updates on our product.

SAFETY INSTRUCTIONS

WAARSCHUWING:

31. Lees de instructies zorgvuldig door en installeer deze correct.
32. In elkaar gezet door een volwassene. Tijdens het spelen moeten ouders altijd de kant van de kinderen begeleiden .
33. hem niet op een donkere, vochtige plaats.
34. Zet hem op een plaats met goede ventilatie .
35. Reinig en desinfecteer uw product regelmatig om het schoon en hygiënisch te houden.
36. Niet overbelasten .




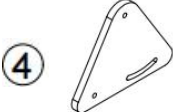

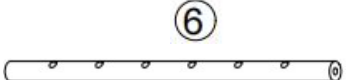
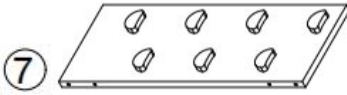



MODEL AND PARAMETERS

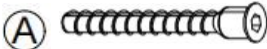

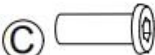



Model	ZF 2LB
Leeftijd van aanmelding	1-3 leeftijd _
Max . draagvermogen	160 pond (72,5 kg)
Stelt in	Pikler Driehoek+Dik Bord

Maat	830*640*610mm (Pikler-driehoek) 990*385*55mm (dikke plaat)
Materiaal	Hout
Kleur	Natuurlijk

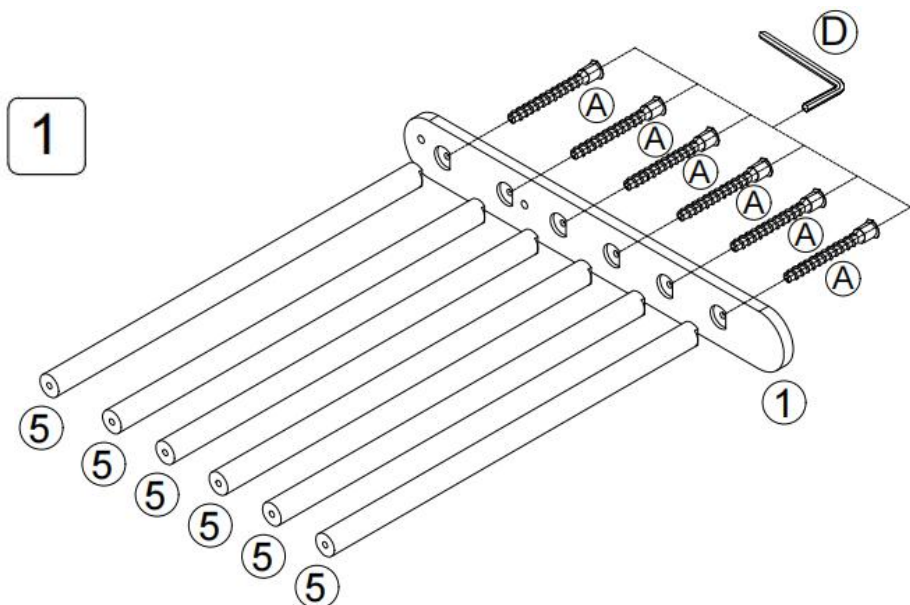
PARTS LIST AND INSTALLATION

OPMERKING: Controleer of u alle onderdelen heeft, zoals weergegeven in de onderdelenlijst.

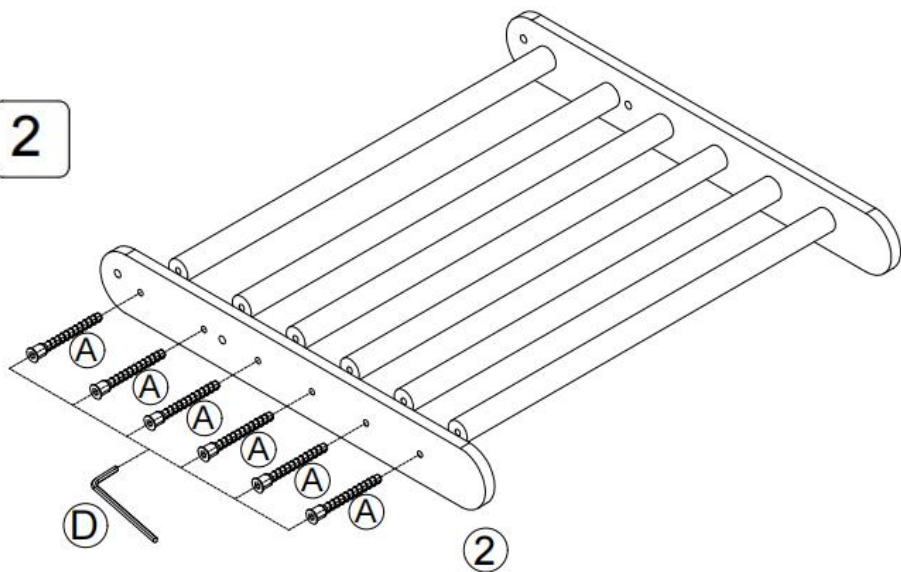
	
Lange steunplaat (anti-rotatieontwerp) x 1	Lange steunplaat x 1
	
Korte steunplaat (anti-rotatieontwerp) x 2	Driehoekige verbindingsplaat x 2
	
Klimstokken (Pikler-driehoek) x 6	Klimstokken (Pikler-driehoek) x 3
	
Dik bord x 1	Visvormige verbindingsplaat x 4
	
Lang touw (L=4400 mm) x 1	Kort touw (L=1900mm) x 1

	
Bouten x 18	Inbusbouten x 12
	
Borgmoeren x 4	Inbus sleutel x 2
	
Pruimenkopbouten x 2	Gebruikershandleiding x1

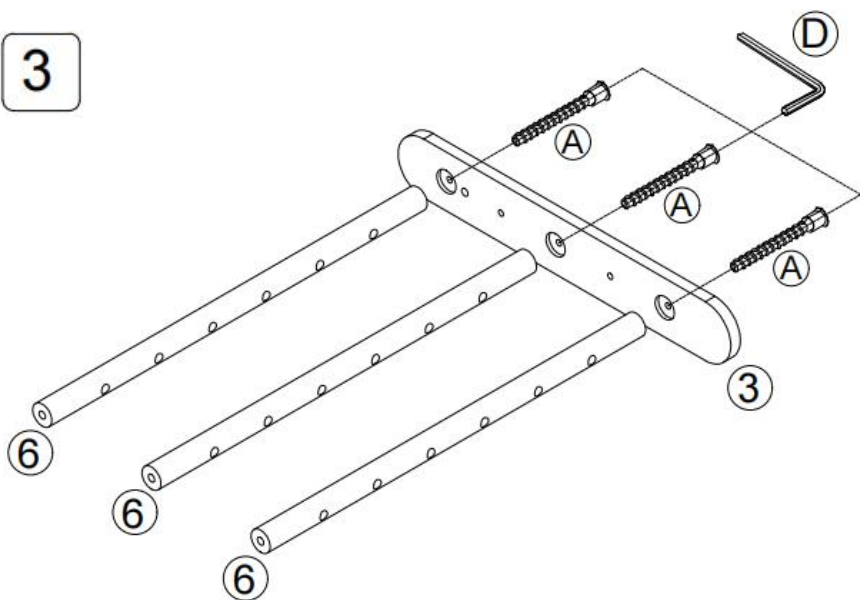
Installatie:



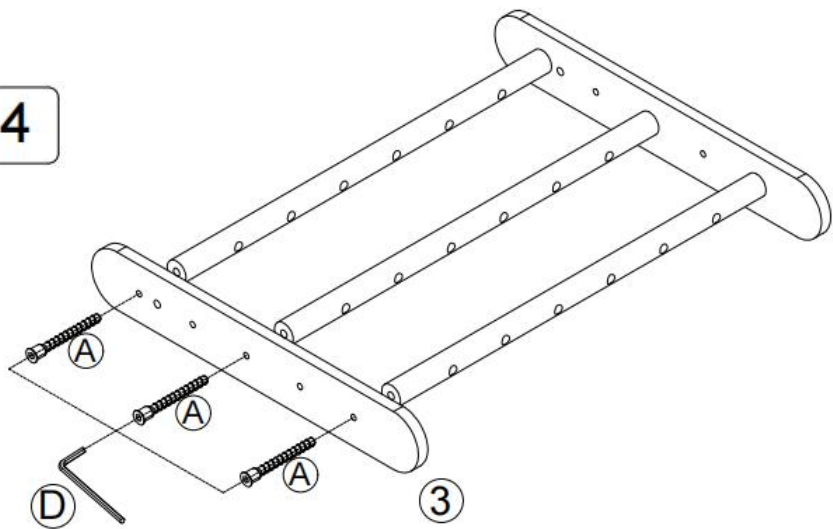
2



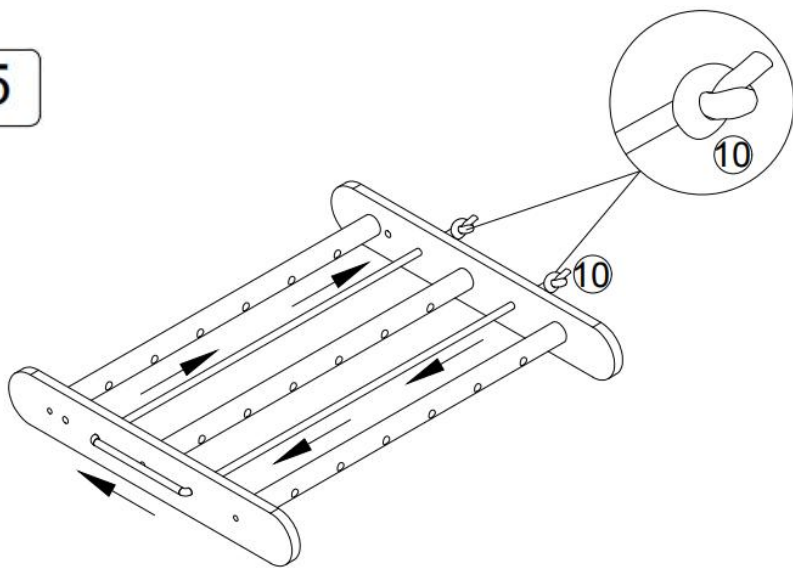
3



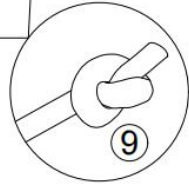
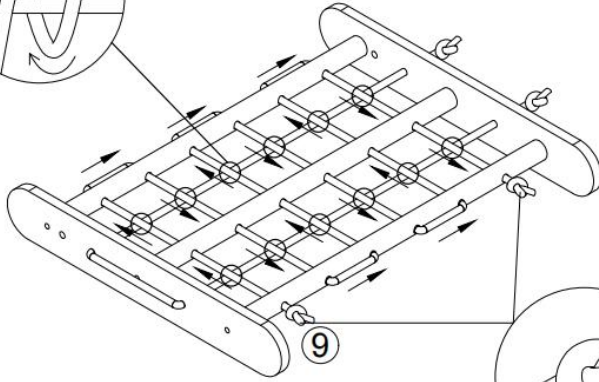
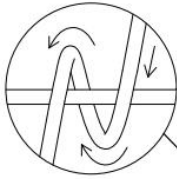
4



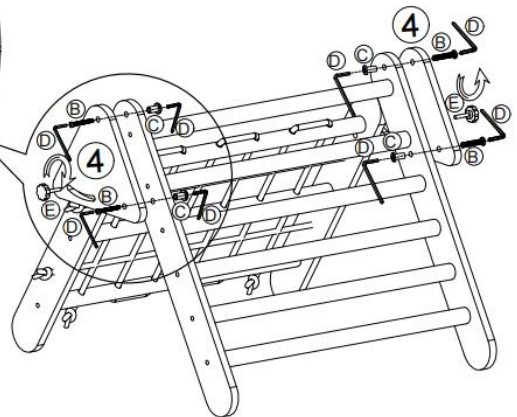
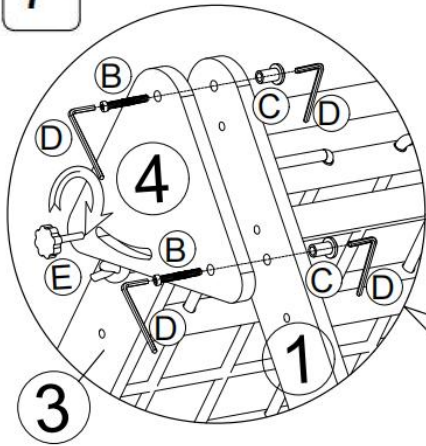
5



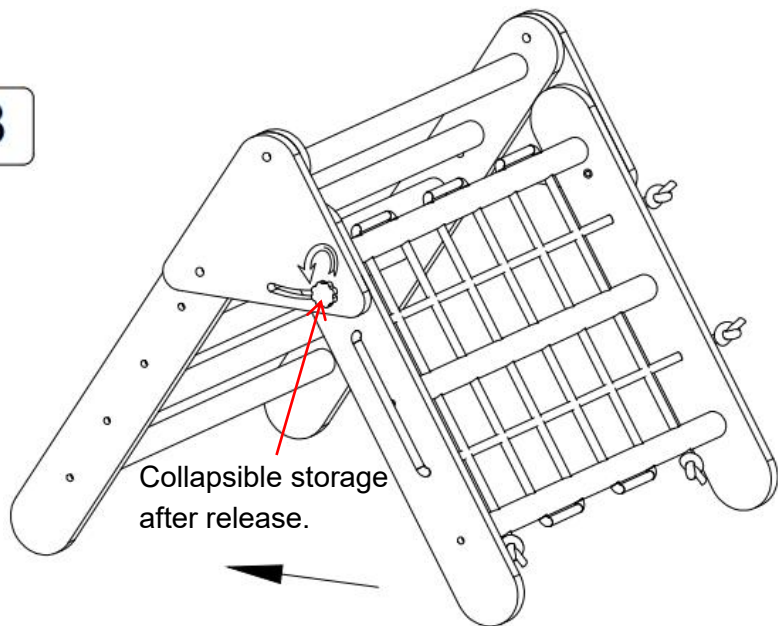
6



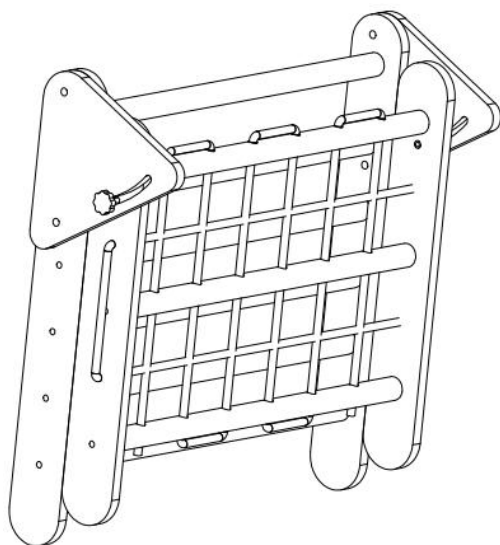
7



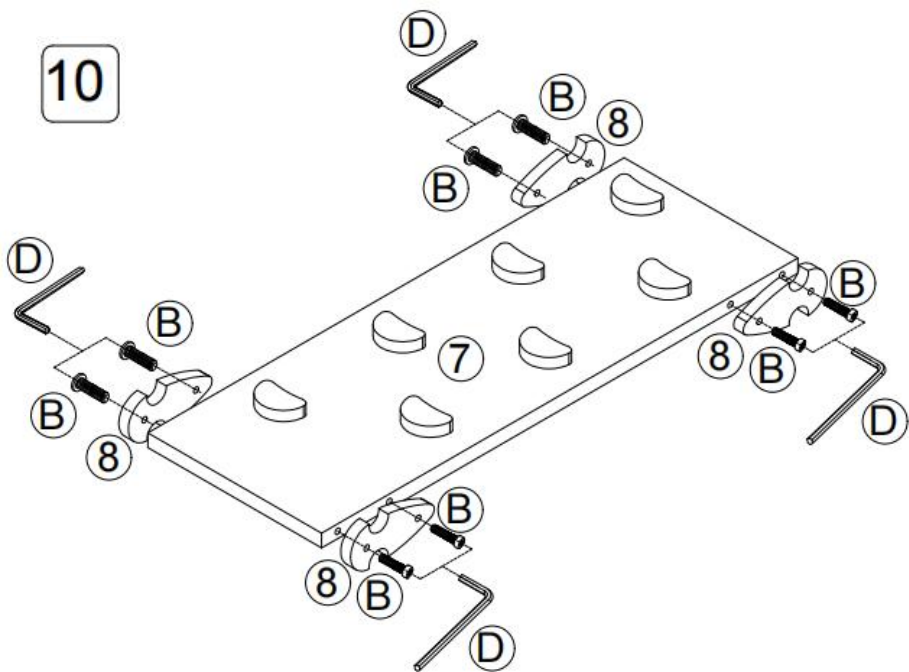
8



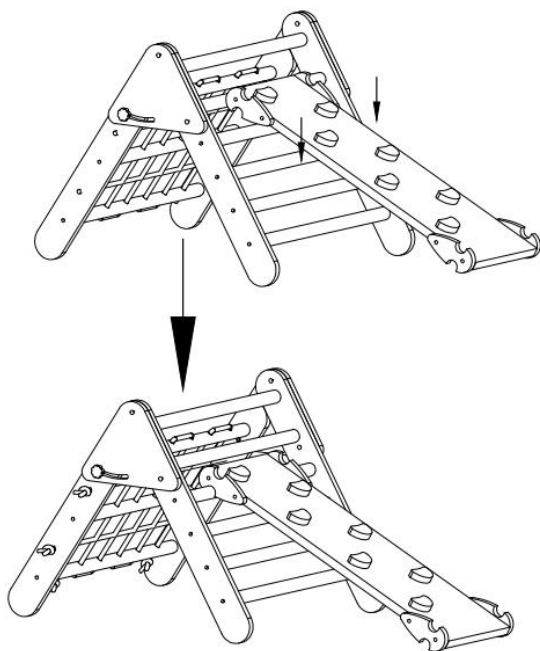
9



10



11



MAINTENANCE

16. Reinig en desinfecteer uw product regelmatig om het schoon en hygiënisch te houden.
17. Buiten direct zonlicht bewaren .
18. Controleer vóór gebruik de betrouwbaarheid van de onderdelen .

Fabrikant:CAOXIAN ZHENGFANG ARTWARE CO.,LTD

**Herkomstadres: GUYINGJI DORP, GUYINGJI STAD, CAOXIAN HEZE CITY
CHINA**

Geïmporteerd naar de VS: Sanven Technology Ltd.

Suite 250, 9166 Anaheim Place, Rancho Cucamonga, CA 91730

Gemaakt in China

VEVOR[®]

TOUGH TOOLS, HALF PRICE

Technisch Ondersteuning en e-garantiecertificaat

www.vevor.com/support

VEVOR[®]

TOUGH TOOLS, HALF PRICE

Teknisk support och e-garanticertifikat www.vevor.com/support

PIKLER TRIANGEL SET

MODELL: ZF- 2 LB

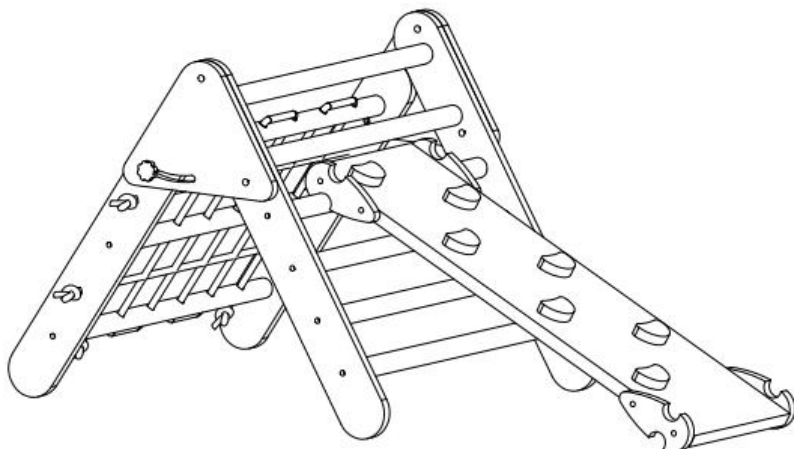
We continue to be committed to provide you tools with competitive price. "Save Half", "Half Price" or any other similar expressions used by us only represents an estimate of savings you might benefit from buying certain tools with us compared to the major top brands and does not necessarily mean to cover all categories of tools offered by us. You are kindly reminded to verify carefully when you are placing an order with us if you are actually saving half in comparison with the top major brands.

VEVOR®

TOUGH TOOLS, HALF PRICE

PIKLER TRIANGLE SET

MODELL: ZF- 2 LB



OBS: Verkliga föremål och bilder kan vara något annorlunda, se ditt köp!

NEED HELP? CONTACT US!

Have product questions? Need technical support? Please feel free to contact us:

Technical Support and E-Warranty Certificate
www.vevor.com/support

This is the original instruction, please read all manual instructions carefully before operating. VEVOR reserves a clear interpretation of our user manual. The appearance of the product shall be subject to the product you received. Please forgive us that we won't inform you again if there are any technology or software updates on our product.

SAFETY INSTRUCTIONS

WARNING:



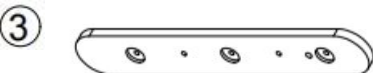
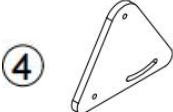
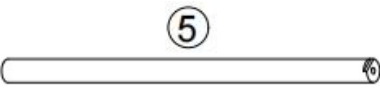
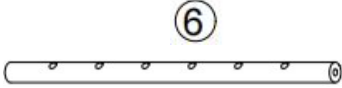
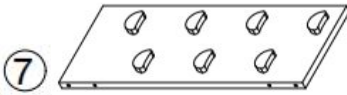





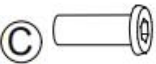

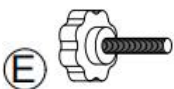

37. Läs instruktionerna noggrant och installera den korrekt.
38. Monteras av en vuxen. Under leken bör föräldrar alltid följa med barnens sida .
39. den inte på en mörk, fuktig plats.
40. Placera den på en plats med god ventilation .
41. Rengör och desinficera din produkt ofta för att hålla den ren och hygienisk.
42. Överbelasta inte .

MODEL AND PARAMETERS

Modell	ZF 2 LB
Ansökningsålder	1-3 år _
Max . bärkraft	160 lbs (72,5 kg)
Uppsättningar	Pikler Triangel+Tjock bräda
Storlek	830*640*610 mm (Pikler Triangle) 990*385*55mm (tjock bräda)
Material	Trä
Färg	Naturlig

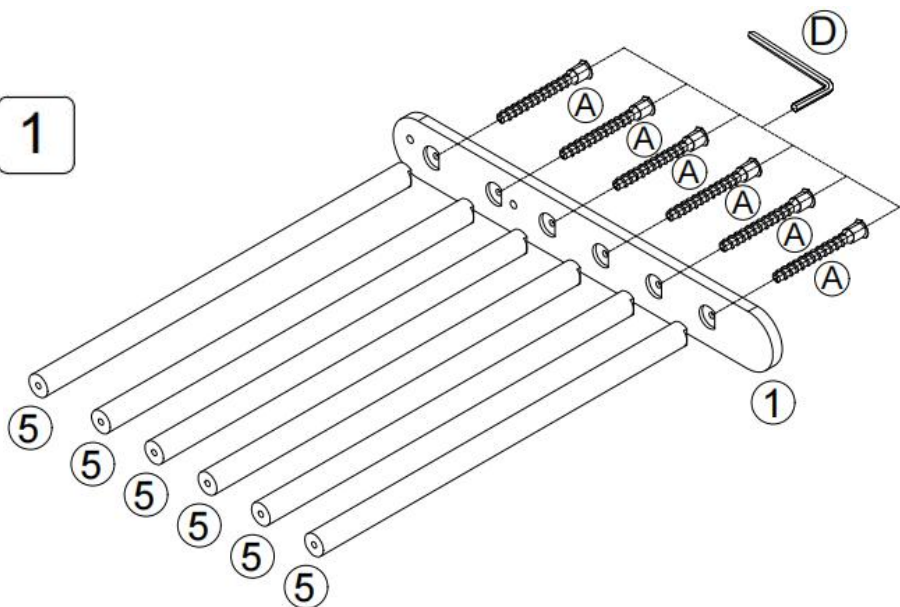
PARTS LIST AND INSTALLATION

OBS: Kontrollera att du har alla delar som visas i dellistan.

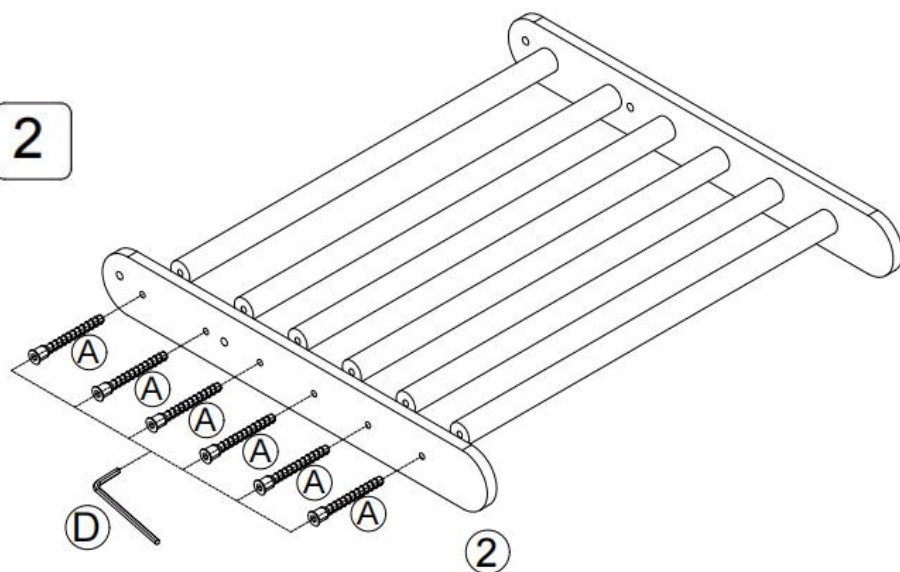
	
<p>Lång stödplatta (anti-rotationsdesign) x 1</p>	<p>Lång stödplatta x 1</p>
	
<p>Kort stödplatta (anti-rotationsdesign) x 2</p>	<p>Triangelär anslutningsplatta x 2</p>
	
<p>Klätterstavar (Pikler Triangle) x 6</p>	<p>Klätterstavar (Pikler Triangle) x 3</p>
	
<p>Tjock bräda x 1</p>	<p>Fiskformad anslutningsplatta x 4</p>
	
<p>Långt rep (L=4400 mm) x 1</p>	<p>Kort rep (L=1900mm) x 1</p>
	
<p>Bultar x 18</p>	<p>Sexkantbultar x 12</p>
	
<p>Låsmuttrar x 4</p>	<p>Insexnyckel x 2</p>
	
<p>Plommonhuvdbultar x 2</p>	<p>Användarmanual x 1</p>

Installation:

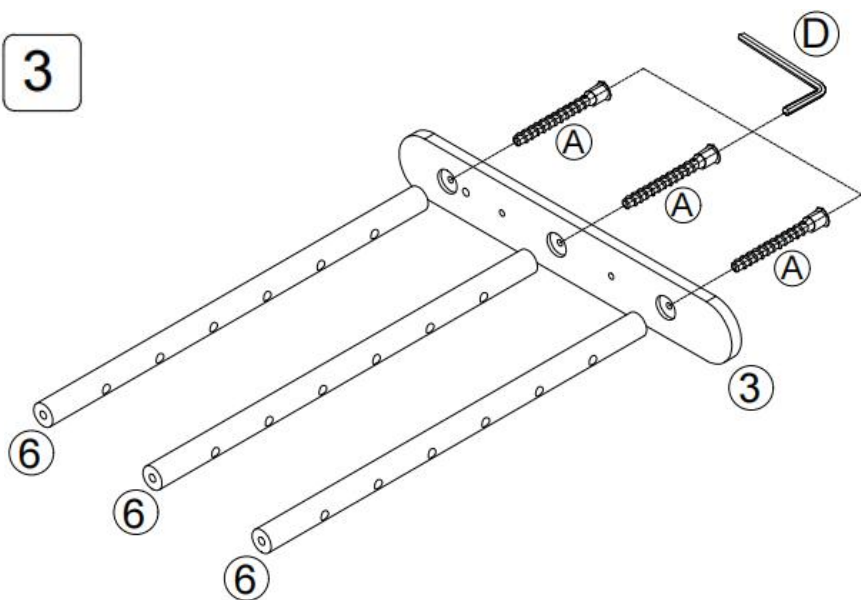
1



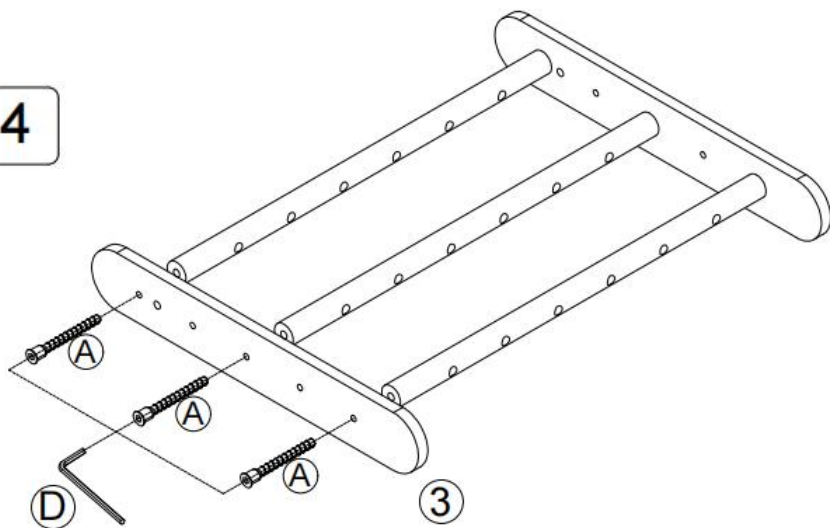
2



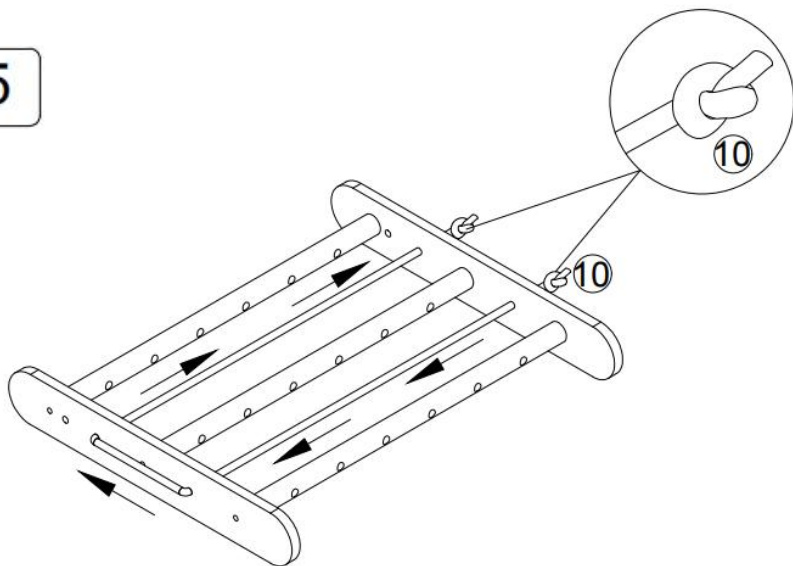
3



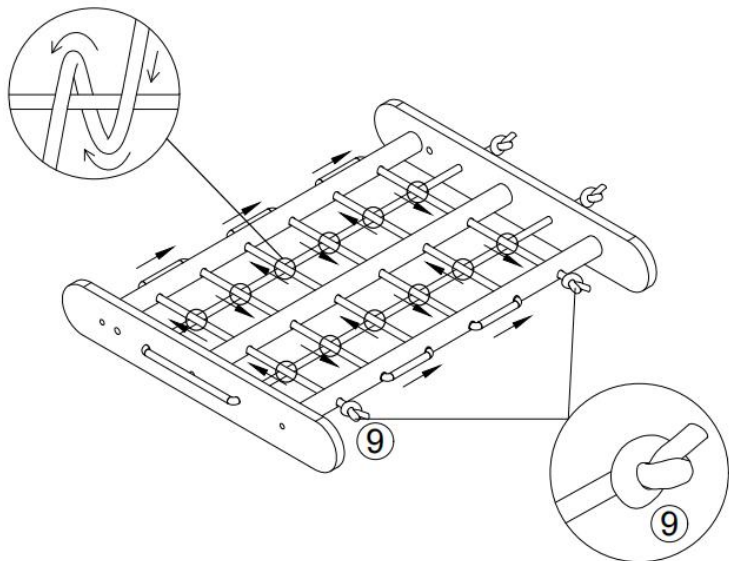
4



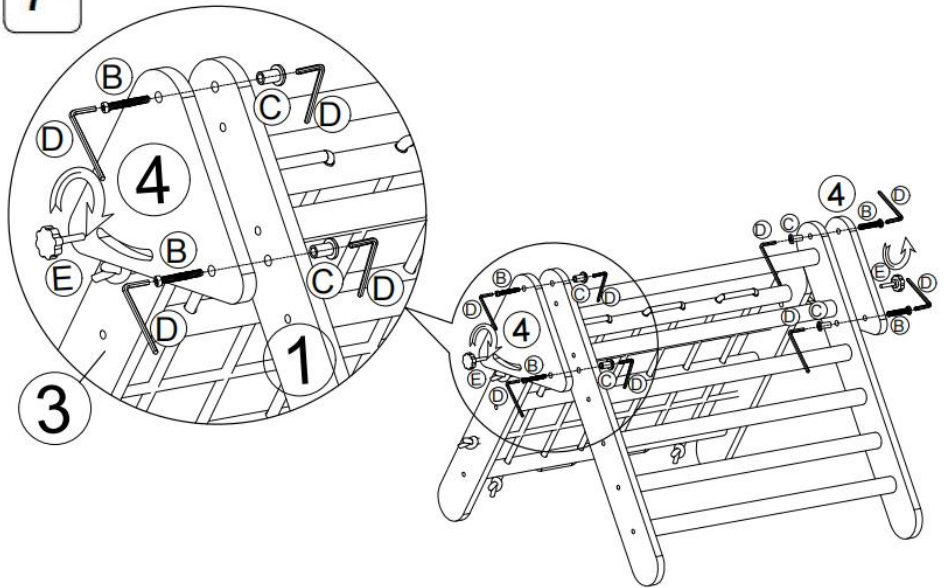
5



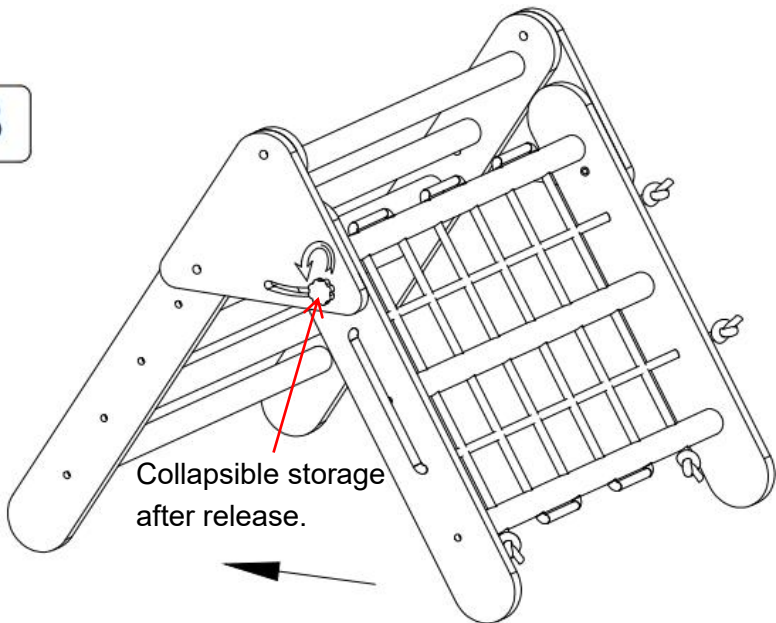
6



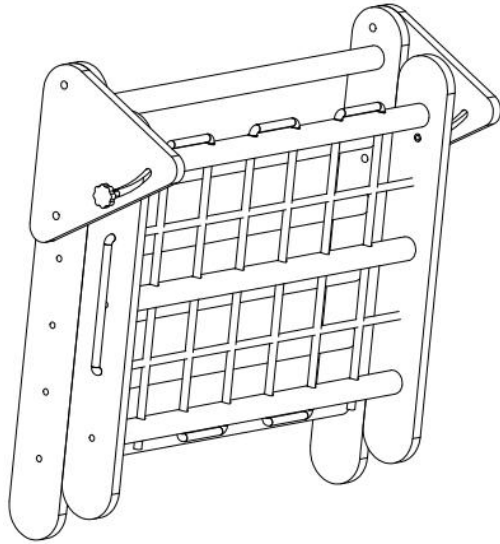
7



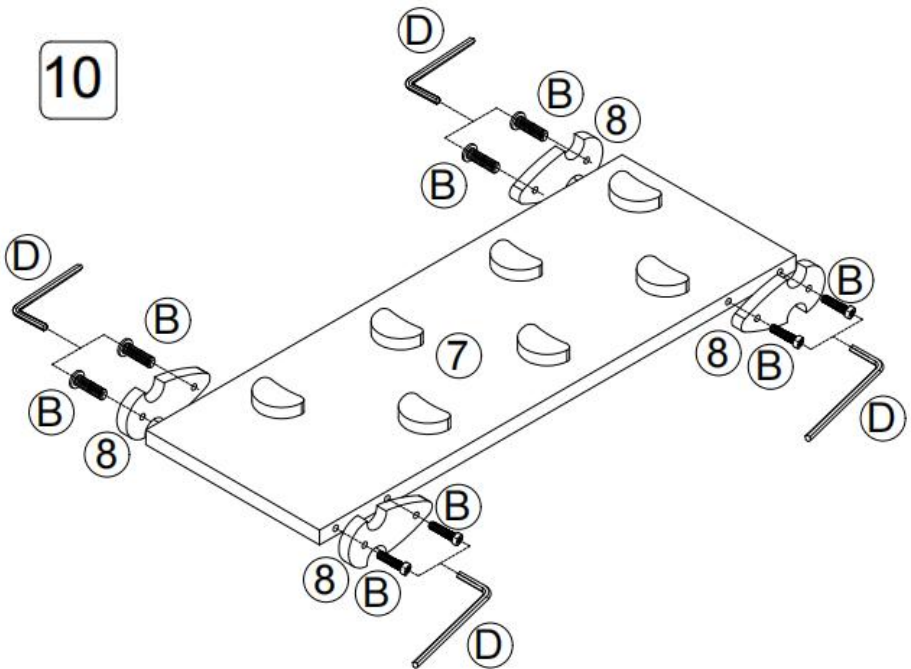
8



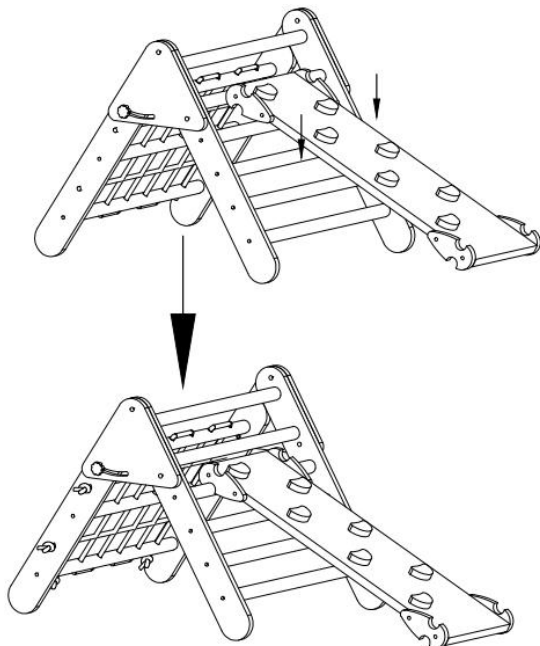
9



10



11



MAINTENANCE

19. Rengör och desinficera din produkt ofta för att hålla den ren och hygienisk.
20. Förvaras åtskilt från direkt solljus .
21. Kontrollera delarnas tillförlitlighet före användning.

Tillverkare:CAOXIAN ZHENG FANG ARTWARE CO.,LTD

Ursprungsadress: GUYINGJI VILLAGE, GUYINGJI TOWN, CAOXIAN HEZE CITY KINA

Importerad till USA: Sanven Technology Ltd.

Suite 250, 9166 Anaheim Place, Rancho Cucamonga, CA 91730

Tillverkad i Kina

VEVOR[®]
TOUGH TOOLS, HALF PRICE

Teknisk Support och e-garanticertifikat
www.vevor.com/support

VEVOR[®]

TOUGH TOOLS, HALF PRICE

Soporte técnico y certificado de garantía electrónica www.vevor.com/support

JUEGO TRIÁNGULO PIKLER

MODELO: ZF- 2 LB

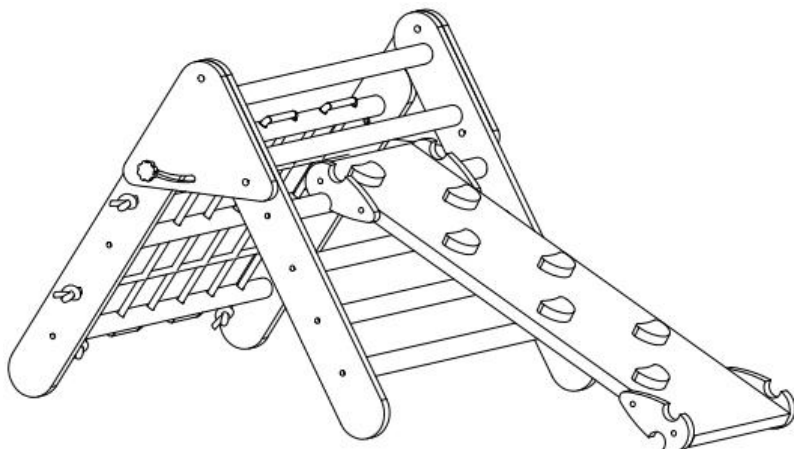
We continue to be committed to provide you tools with competitive price. "Save Half", "Half Price" or any other similar expressions used by us only represents an estimate of savings you might benefit from buying certain tools with us compared to the major top brands and does not necessarily mean to cover all categories of tools offered by us. You are kindly reminded to verify carefully when you are placing an order with us if you are actually saving half in comparison with the top major brands.

VEVOR®

TOUGH TOOLS, HALF PRICE

PIKLER TRIANGLE SET

MODELO: ZF- 2 LB



NOTA: Los objetos y las imágenes reales pueden ser ligeramente diferentes, ¡ consulte su compra!

NEED HELP? CONTACT US!

Have product questions? Need technical support? Please feel free to contact us:

Technical Support and E-Warranty Certificate
www.vevor.com/support

This is the original instruction, please read all manual instructions carefully before operating. VEVOR reserves a clear interpretation of our user manual. The appearance of the product shall be subject to the product you received. Please forgive us that we won't inform you again if there are any technology or software updates on our product.

SAFETY INSTRUCTIONS

ADVERTENCIA:

43. Lea atentamente las instrucciones e instálelo correctamente .
44. Montado por un adulto. En el proceso de juego, los padres siempre deben acompañar al lado de los niños .
45. No lo instale en un lugar oscuro y húmedo.
46. Colóquelo en un lugar con buena ventilación .
47. Limpie y desinfecte su producto con frecuencia para mantenerlo limpio e higiénico.
48. No sobrecargues .



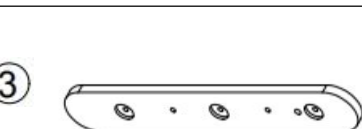
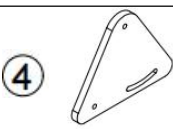

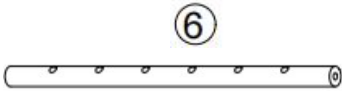
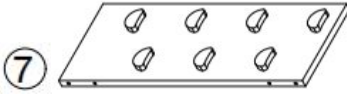

MODEL AND PARAMETERS





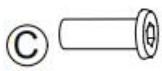



Modelo	ZF 2 libras
Edad de aplicación	1-3 años _
Máximo . capacidad de carga	160 libras (72,5 kg)
Conjuntos	Triángulo Pikler+Tablero Grueso

Tamaño	830*640*610 mm (triángulo Pikler) 990*385*55 mm (tablero grueso)
Material	Madera
Color	Natural

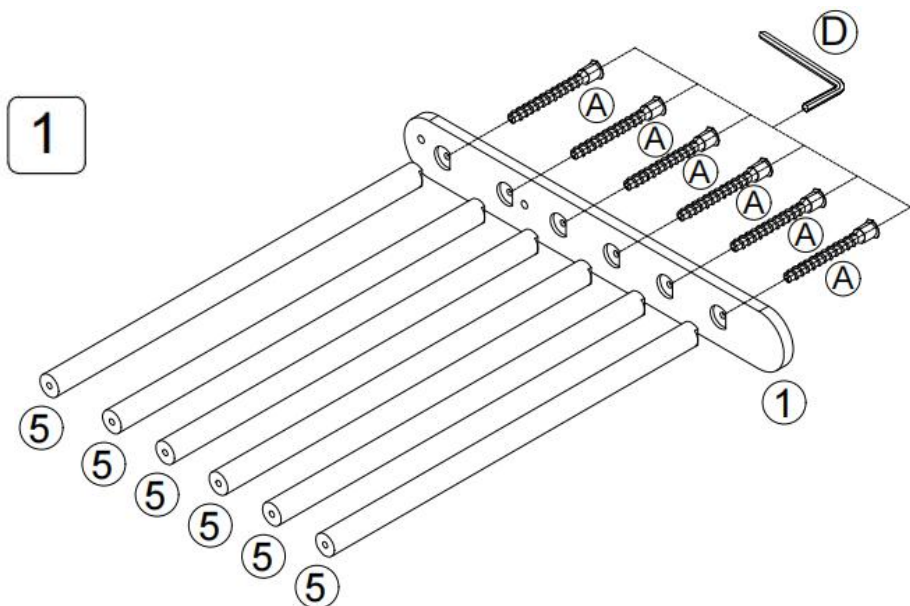
PARTS LIST AND INSTALLATION

NOTA: Verifique que tenga todas las piezas como se muestra en la lista de piezas.

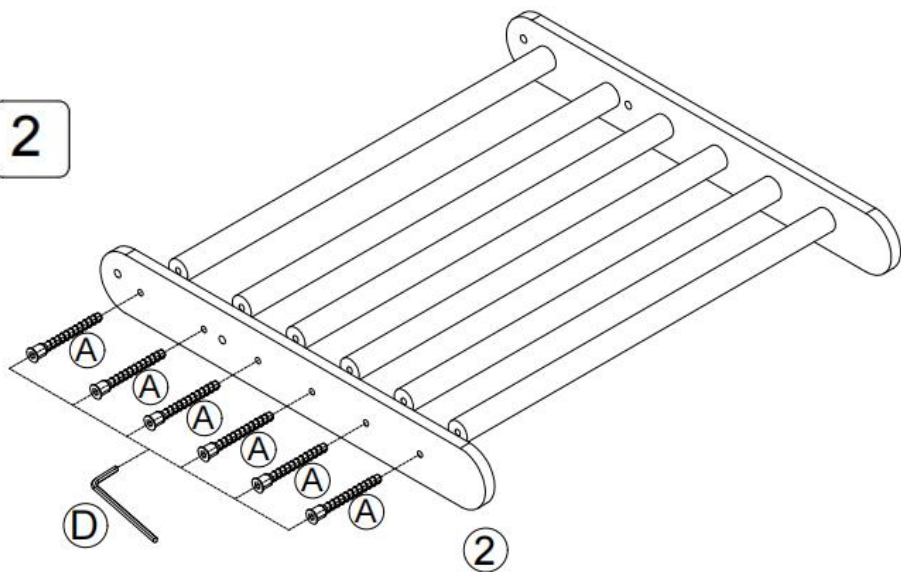
 <p>1</p>	 <p>2</p>
Placa de soporte larga (diseño antirotación) x 1	Placa de soporte larga x 1
 <p>3</p>	 <p>4</p>
Placa de soporte corta (diseño antirotación) x 2	Placa de conexión triangular x 2
 <p>5</p>	 <p>6</p>
Bastones de escalada (Triángulo de Pikler) x6	Bastones de escalada (Triángulo Pikler) x 3
 <p>7</p>	 <p>8</p>
Tablero grueso x 1	Placa de conexión en forma de pez x 4

	
Cuerda larga (L=4400 mm) x 1	Cuerda corta(L=1900mm) x1 _
	
Pernos x 18	Pernos hexagonales x 12
	
Tuercas de bloqueo x 4	Llave hexagonal x 2
	
Pernos de cabeza de ciruela x 2	Manual de usuario x1

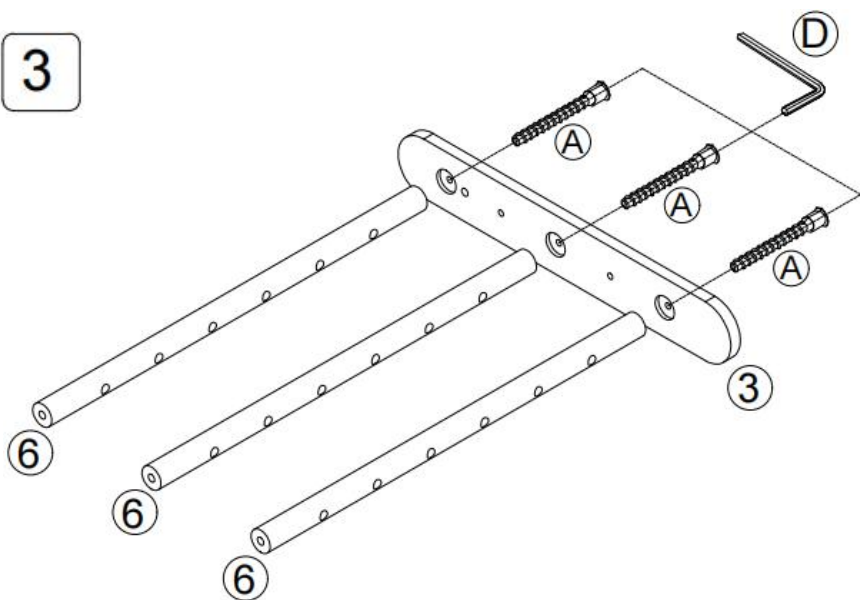
Instalación:



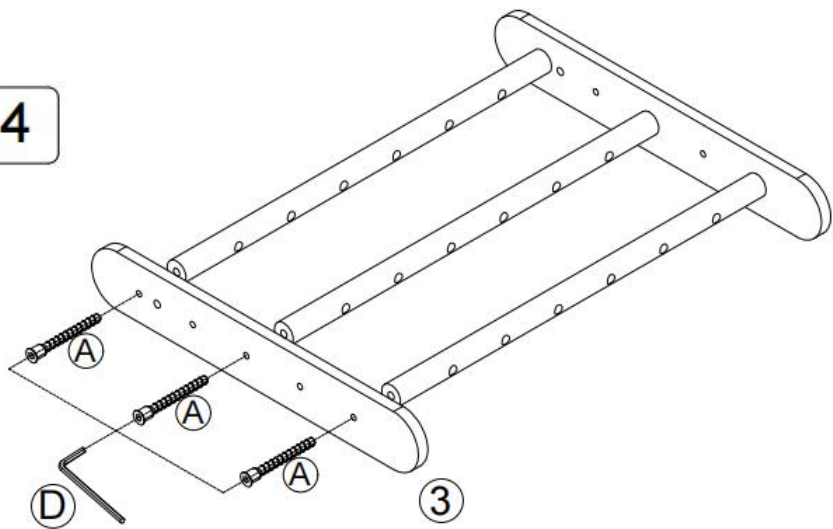
2



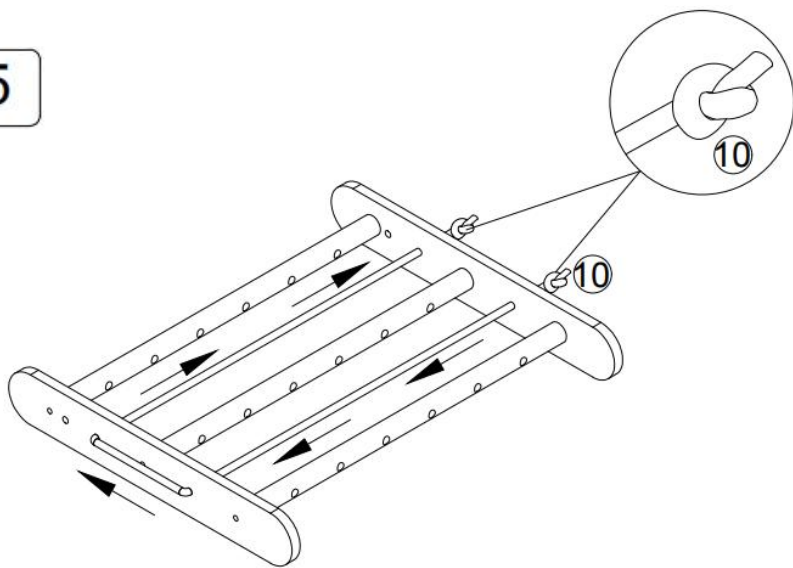
3



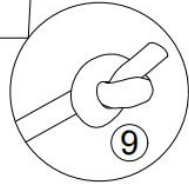
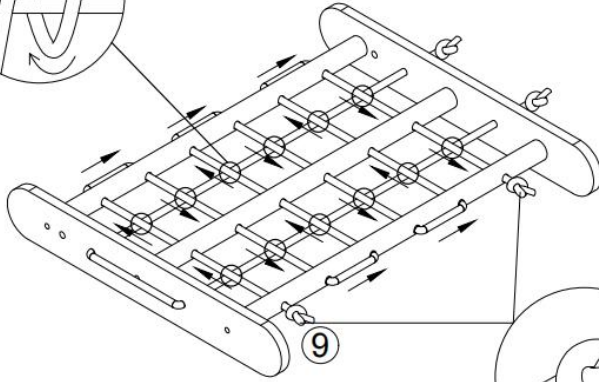
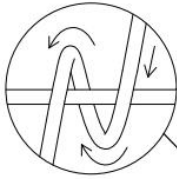
4



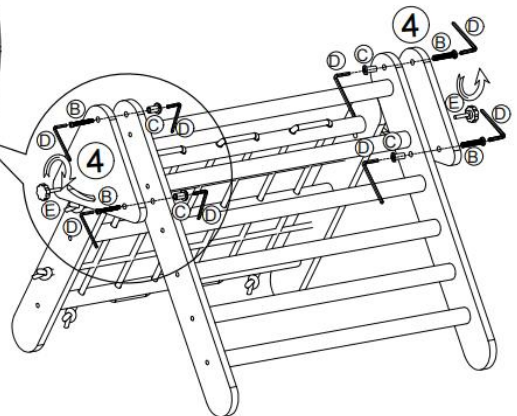
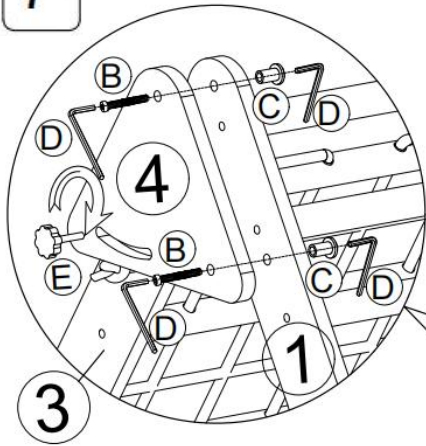
5



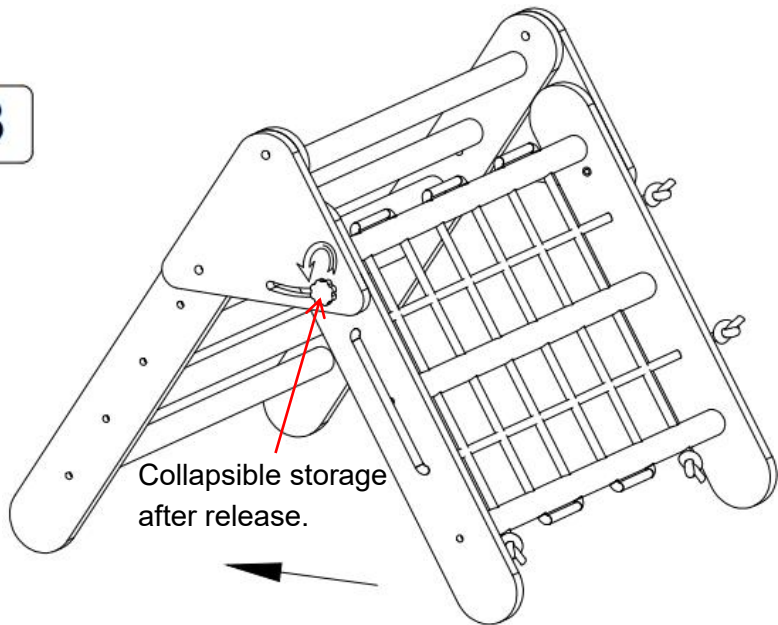
6



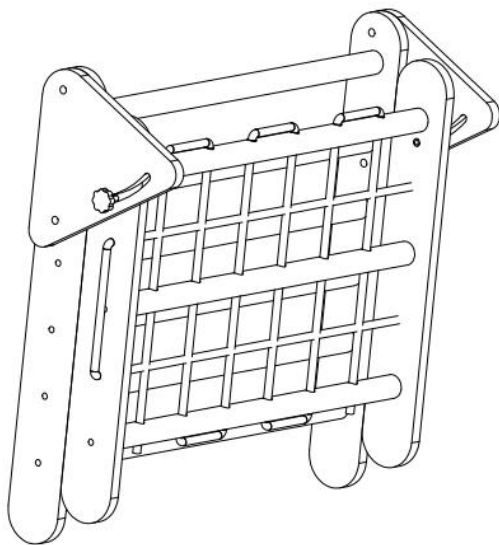
7



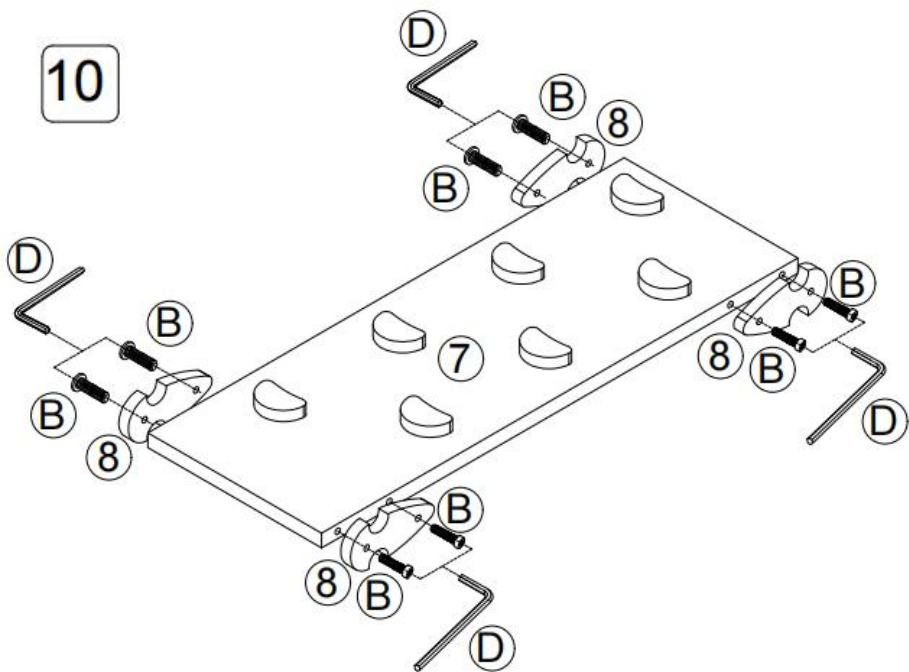
8



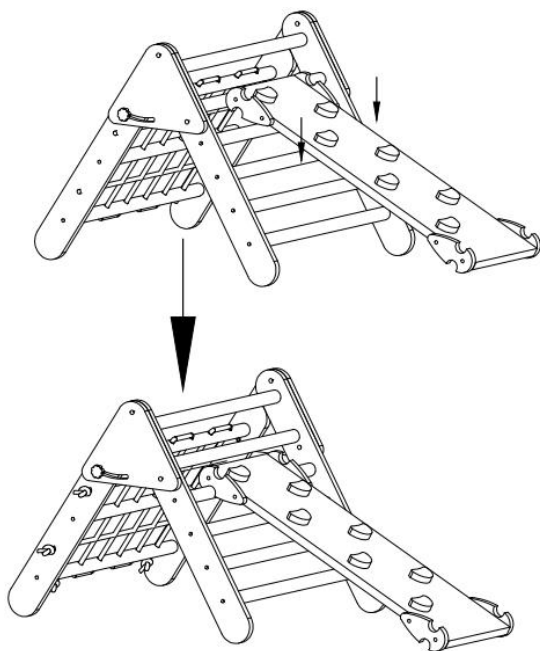
9



10



11



MAINTENANCE

22. Limpie y desinfecte su producto con frecuencia para mantenerlo limpio e higiénico.
23. Guardar alejado de la luz directa del sol .
24. Verifique la confiabilidad de las piezas antes de su uso.

Fabricante:CAOXIAN ZHENGFANG ARTWARE CO.,LTD

Dirección de origen: PUEBLO DE GUYINGJI, CIUDAD DE GUYINGJI, CIUDAD DE CAOXIAN HEZE, CHINA

Importado a EE. UU.: Sanven Technology Ltd.

Suite 250, 9166 Anaheim Place, Rancho Cucamonga, CA 91730

Hecho en china

VEVOR[®]
TOUGH TOOLS, HALF PRICE

Técnico Certificado de soporte y garantía electrónica
www.vevor.com/support