



FOOD EQUIPMENT

Easy Juicer™ 55850

OPERATING INSTRUCTIONS

Important

1. To get the best operation and life from your machine, please read and comply with these instructions.
2. Clean machine thoroughly before and after each use using cleaning instructions below.
3. Minimize the use of alkaline cleaners as they may cause pitting and dulling of the finish.

To Operate

1. Place the JUICER on a sturdy, supporting surface. Select a surface at a height that is comfortable for the operator.
2. Rotate LEVER clockwise to raise SQUEEZER.
3. Place a container under CUP to catch the juice.
4. Place ½ of the product to be squeezed onto the CONE with the cut side down.
5. Rotate LEVER counter-clockwise to squeeze the product and extract the juice.
6. Raise LEVER, remove the rind remaining and place the next product in place to be squeezed.
7. If unit fails to operate properly when first used, call NEMCO customer service at 1-800-782-6761.

To Clean

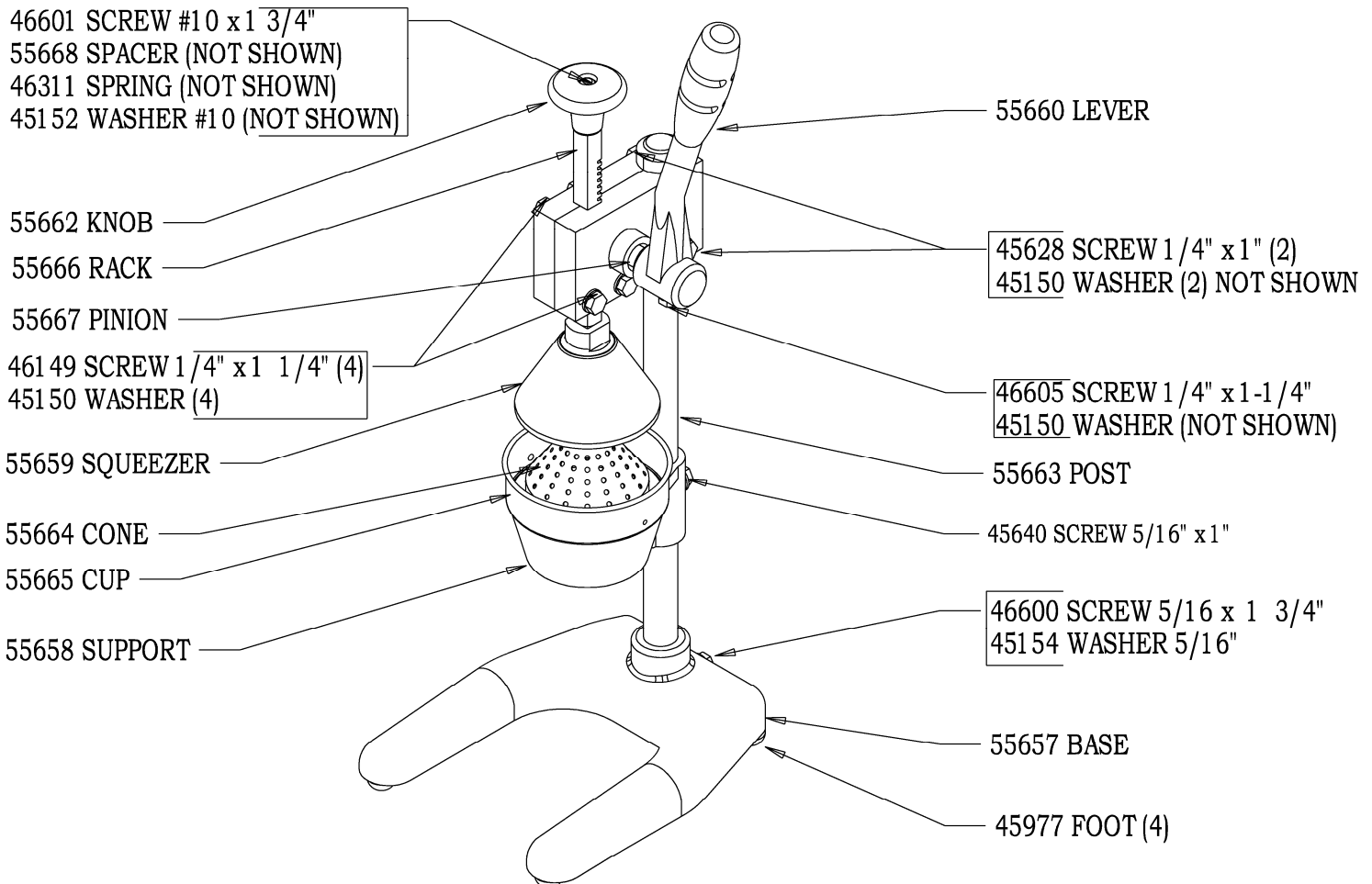
1. Minimize the use of alkaline cleaners as it may cause pitting, impair cleaning and require part replacement.
2. Remove CUP and CONE from the machine by turning CUP either direction to line up the slot in the support with the dimple in the cup and lift it out. The CONE can be removed from the CUP by also turning to line up the slot in the cone with the dimple in the cup.
3. The rest of the EASY JUICER can be washed with a pressure spray or washed in a sink or a dishwasher.

To Lubricate

Lubricate the RACK and PINION with mineral oil as needed.

To Disassemble

The EASY JUICER can be totally disassembled by simply removing the screws.



NEMCO FOOD EQUIPMENT

301 Meuse Argonne, Hicksville, OH 43526

Phone: (419) 542-7751 Fax: 419-542-6690 Toll free: 1-800-782-6761

www.nemcofoodequip.com

46225

8-22-2011

