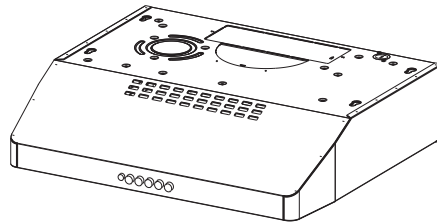


**Levante I**



**Levante II**

Installation Instructions  
Use and Care Information

Instructions d'installation  
Utilisez et d'entretien

**LEVA24SS300-B**  
**LEVA24WH300-B**  
**LEVA24BK300-B**  
**LEVA30SS300-B**  
**LEVA30WH300-B**  
**LEVA30BK300-B**  
**LEVA36SS300-B**  
**LEVA36WH300-B**  
**LEVA36BK300-B**  
**LEVT30SS400-B**  
**LEVT36SS400-B**

## **READ AND SAVE THESE INSTRUCTIONS BEFORE YOU START INSTALLING THIS RANGEHOOD**

**WARNING: - TO REDUCE THE RISK OF A RANGE TOP GREASE FIRE:**

- a) Never leave surface units unattended at high settings. Boilovers cause smoking and greasy spillovers that may ignite. Heat oils slowly on low or medium setting.
- b) Always turn hood ON when cooking at high heat or when flambeing food (i.e. Crepes Suzette, Cherries Jubilee, Peppercorn Beef Flambé).
- c) Clean ventilating fans frequently. Grease should not be allowed to accumulate on fan or filter.
- d) Use proper pan size. Always use cookware appropriate for the size of the surface element.

**WARNING: - TO REDUCE THE RISK OF INJURY TO PERSONS IN THE EVENT OF A RANGE TOP GREASE FIRE, OBSERVE THE FOLLOWING\*:**

- a) **SMOTHER FLAMES** with a close-fitting lid, cookie sheet, or metal tray, then turn off the burner. **BE CAREFUL TO PREVENT BURNS.** If the flames do not go out immediately **EVACUATE AND CALL THE FIRE DEPARTMENT.**
- b) **NEVER PICK UP A FLAMING PAN** - You may be burned.
- c) **DO NOT USE WATER**, including wet dishcloths or towels - a violent steam explosion will result.
- d) Use an extinguisher **ONLY** if:
  1. You know you have a Class ABC extinguisher, and you already know how to operate it.
  2. The fire is small and contained in the area where it started.
  3. The fire department is being called.
  4. You can fight the fire with your back to an exit.

\* Based on "Kitchen Firesafety Tips" published by NFPA

**WARNING - TO REDUCE THE RISK OF FIRE OR ELECTRIC SHOCK, do not use this fan with any solid-state speed control device.**

**WARNING - TO REDUCE THE RISK OF FIRE, ELECTRICAL SHOCK, OR INJURY TO PERSONS, OBSERVE THE FOLLOWING:**

1. Use this unit only in the manner intended by the manufacturer.
2. If you have any questions, contact the manufacturer.
3. Before servicing or cleaning unit, switch power off at service panel and lock the service disconnecting means to prevent power from being switched on accidentally.
4. When the service disconnecting means cannot be locked, securely fasten a prominent warning device, such as a tag, to the service panel.

**CAUTION: For General Ventilating Use Only. Do Not Use To Exhaust Hazardous or Explosive Materials and Vapors.**

**WARNING - TO REDUCE THE RISK OF FIRE, ELECTRICAL SHOCK, OR INJURY TO PERSONS, OBSERVE THE FOLLOWING:**

1. Installation Work And Electrical Wiring Must Be Done By Qualified Person(s) In Accordance With All Applicable Codes And Standards, Including Fire-Rated Construction.
2. Sufficient air is needed for proper combustion and exhausting of gases through the flue (chimney) of fuel burning equipment to prevent backdrafting. Follow the heating equipment manufacturer's guideline and safety standards such as those published by the National Fire Protection Association (NFPA), and the American Society for Heating, Refrigeration and Air Conditioning Engineers (ASHRAE), and the local code authorities.

3. **When cutting or drilling into wall or ceiling, do not damage electrical wiring and other hidden utilities.**
4. **Ducted fans must always be vented to the outdoors.**

ALL WALL AND FLOOR OPENINGS WHERE THE RANGEHOOD IS INSTALLED MUST BE SEALED.

**This rangehood requires at least 24" of clearance** between the bottom of the rangehood and the cooking surface or countertop. This hood has been approved by UL at this distance from the cooktop. The maximum depth of overhead cabinets is 13". Overhead cabinets on both sides of this unit must be a minimum of 18" above the cooking surface or countertop.

Consult the cooktop or range installation instructions given by the manufacturer before making any cutouts. **MOBILE HOME INSTALLATION** The installation of this rangehood must conform to the Manufactured Home Construction and Safety Standards, Title 24 CFR, Part 3280 (formerly Federal Standard for Mobile Home Construction and Safety, Title 24, HUD, Part 280). Four wire power supply must be used and the appliance wiring must be revised. See Electrical Requirements.

#### VENTING REQUIREMENTS

Determine which venting method is best for your application. Ductwork can extend either through the wall or the roof.

The length of the ductwork and the number of elbows should be kept to a minimum to provide efficient performance. The size of the ductwork should be uniform. Do not install two elbows together. Use duct tape to seal all joints in the ductwork system. Use caulking to seal exterior wall or floor opening around the cap.

**Flexible ductwork is not recommended. Flexible ductwork creates back pressure and air turbulence that greatly reduces performance.**

Make sure there is proper clearance within the wall or floor for exhaust duct before making cutouts. Do not cut a joist or stud unless absolutely necessary. If a joist or stud must be cut, then a supporting frame must be constructed.

**WARNING - To Reduce The Risk Of Fire, Use Only Metal Ductwork.**

**CAUTION - To reduce risk of fire and to properly exhaust air, be sure to duct air outside – Do not vent exhaust air into spaces within walls or ceilings or into attics, crawl spaces, or garages.**

#### **Cold Weather installations**

An additional back draft damper should be installed to minimize backward cold air flow and a nonmetallic thermal break should be installed to minimize conduction of outside temperatures as part of the vent system. The damper should be on the cold air side of the thermal break. The break should be as close as possible to where the vent system enters the heated portion of the house.



## WARNING

- Venting system **MUST** terminate outside the home.
- **DO NOT** terminate the ductwork in an attic or other enclosed space.
- **DO NOT** use 4" laundry-type wall caps.
- Flexible-type ductwork is not recommended.
- **DO NOT** obstruct the flow of combustion and ventilation air.
- Failure to follow venting requirements may result in a fire.

### **ELECTRICAL REQUIREMENTS**

A 120 volt, 60 Hz AC-only electrical supply is required on a separate 15 amp fused circuit. A time-delay fuse or circuit breaker is recommended. The fuse must be sized per local codes in accordance with the electrical rating of this unit as specified on the serial/rating plate located inside the unit near the field wiring compartment.

### **ELECTRICAL INSTALLATION WITH WIRING BOX**

THIS UNIT MUST BE CONNECTED WITH COPPER WIRE ONLY. Wire sizes must conform to the requirements of the National Electrical Code, ANSI/NFPA 70 - latest edition, and all local codes and ordinances. Wire size and connections must conform with the rating of the appliance. Copies of the standard listed above may be obtained from:

National Fire Protection Association  
Batterymarch Park  
Quincy, Massachusetts 02269

This appliance should be connected directly to the fused disconnect (or circuit breaker) through flexible, armored or nonmetallic sheathed copper cable. Allow some slack in the cable so the appliance can be moved if servicing is ever necessary. A UL Listed, 1/2" conduit connector must be provided at each end of the power supply cable (at the appliance and at the junction box).

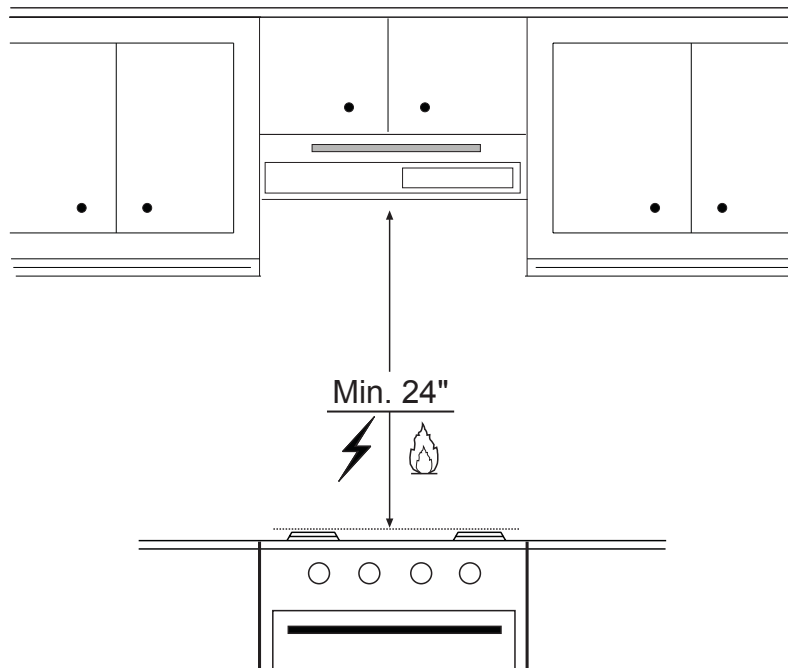
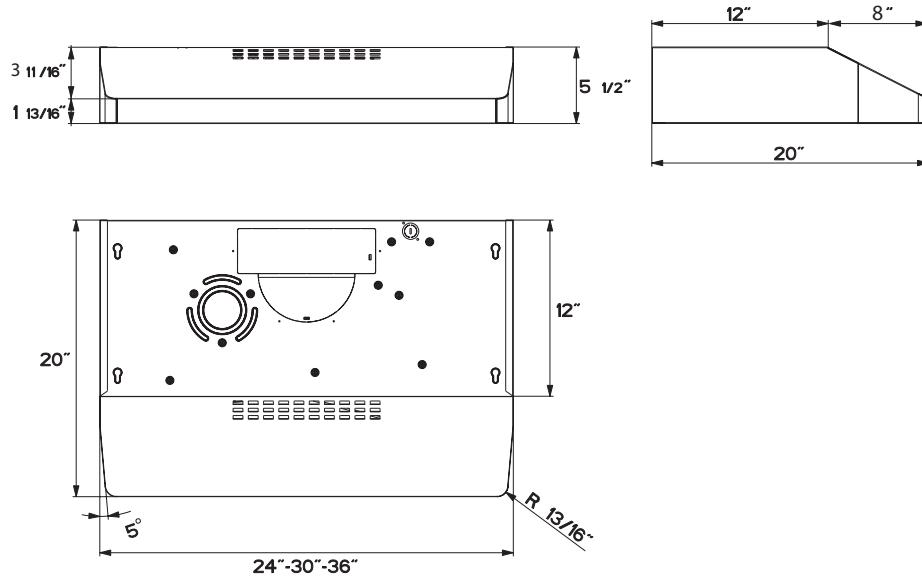
When making the electrical connection, cut a 1 1/4" hole in the wall. A hole cut through wood must be sanded until smooth. A hole through metal must have a grommet.



## **WARNING**

- Electrical ground is required on this rangehood.
- If cold water pipe is interrupted by plastic, nonmetallic gaskets or other materials, DO NOT use for grounding.
- DO NOT ground to a gas pipe.
- DO NOT have a fuse in the neutral or grounding circuit. A fuse in the neutral or grounding circuit could result in electrical shock.
- Check with a qualified electrician if you are in doubt as to whether the rangehood is properly grounded.
- Failure to follow electrical requirements may result in a fire.

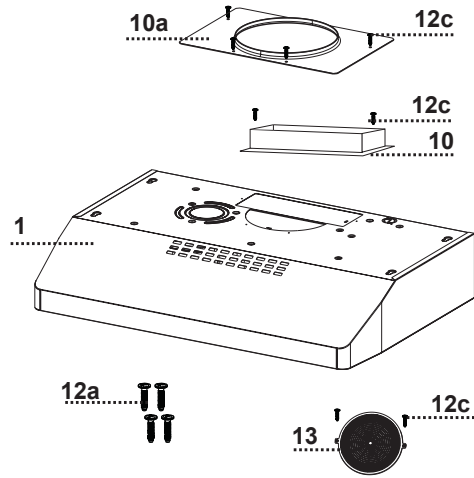
### RANGEHOOD DIMENSIONS



## MAIN PARTS

### Components

Ref.	Qty.	Product Components
1	1	Hood Body, complete with: Controls, Light, Filters, Blower.
10	1	3 1/4" x 10" Damper
10a	1	7" Round Flange
13	1	Grid (Only for Canadian Market)
Ref.	Qty.	Installation Components
12a	4	Screws 3/16" x 1 15/16" (for wall mounting)
12c	6	Screws 1/8" x 3/8" (for sup plied flange transitions)
Qty.	Documentation	
1	Instruction Manual	



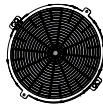
### Parts needed

- 7" Round damper if using 7" round flange.
- Drywall plugs or other suitable wall fasteners based on your installation.
- Wire connectors.

For installation that is attached to bottom of wood cabinets with a recessed bottom; 1" x 2" by 12"(approximate length) wood strips will need to be purchased locally. 12C Wall Mount Screws may work as fasteners for this type of install, if not then four flat head wood screws will also need to be purchased locally to complete this type of install.

### Available Accessories

Activated Charcoal Filter (**FILTER5**)

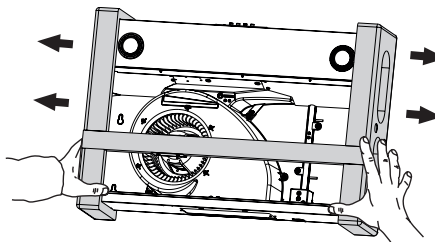


Wireless Remote Control-REMCTRL- (Levante II models only).

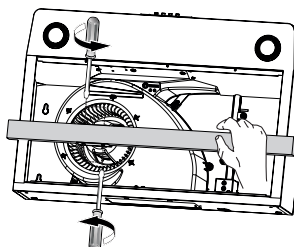


### Before Installation Remove These Shipping Materials

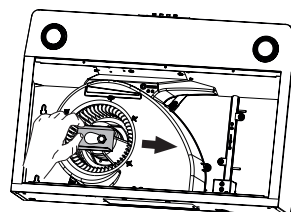
Remove the side packaging.



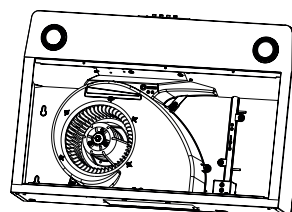
Remove the wood shipping by unscrew the 4 screws.



Move the block to the right and pull it off.



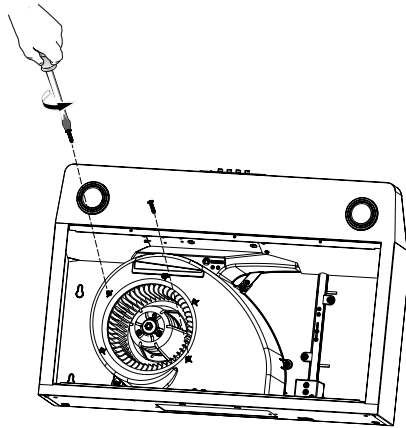
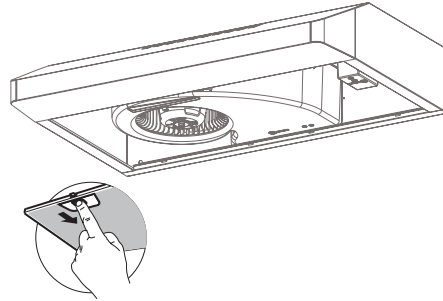
Ready for Installation.





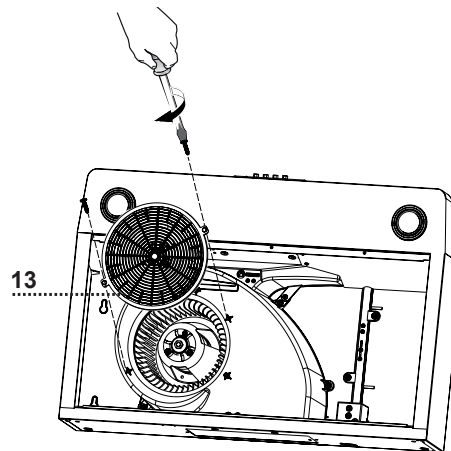
**ONLY FOR CANADIAN MARKET**

Remove the filters one at a time by pushing them towards the back of the group and pulling down at the same time.

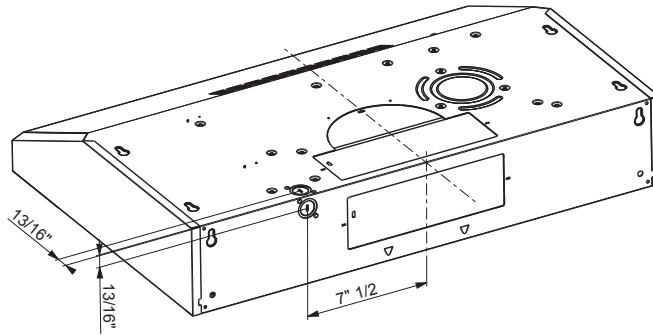


Remove the 2 screw already fixed.

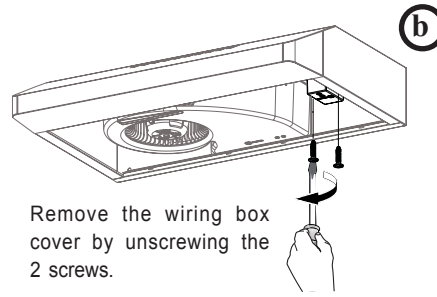
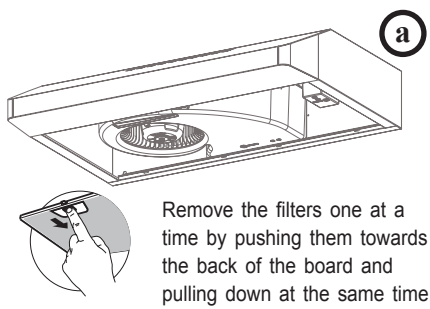
Install the Grid 13 with 2 screws removed previously as shown in the picture.



### Choose Vertical or Horizontal Electrical Connection Knockout's

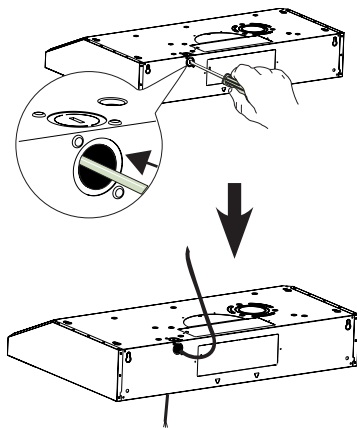


### First step before making Vertical or Horizontal Electrical knockout

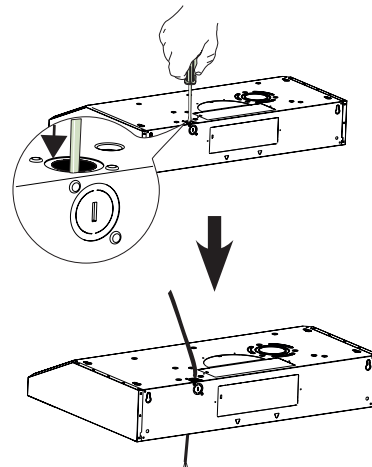


Choose the rear hole or top hole for the electric connection and break with a screwdriver or other tool. During the installation thread Power Supply Cable through this hole.

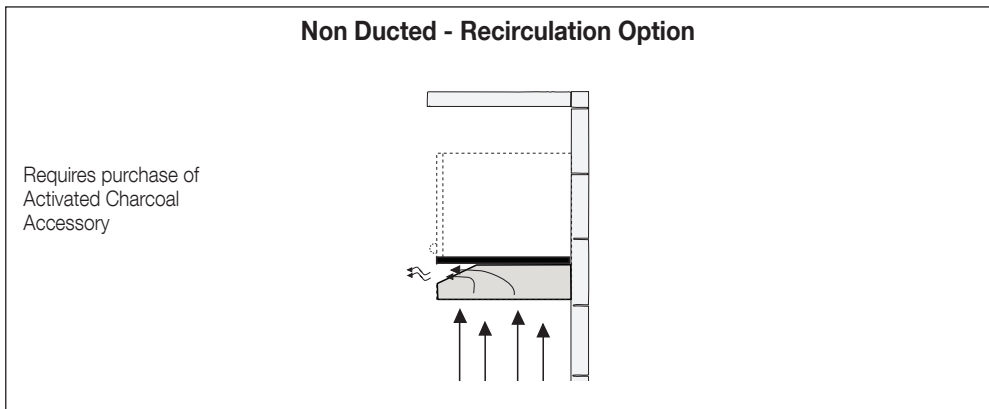
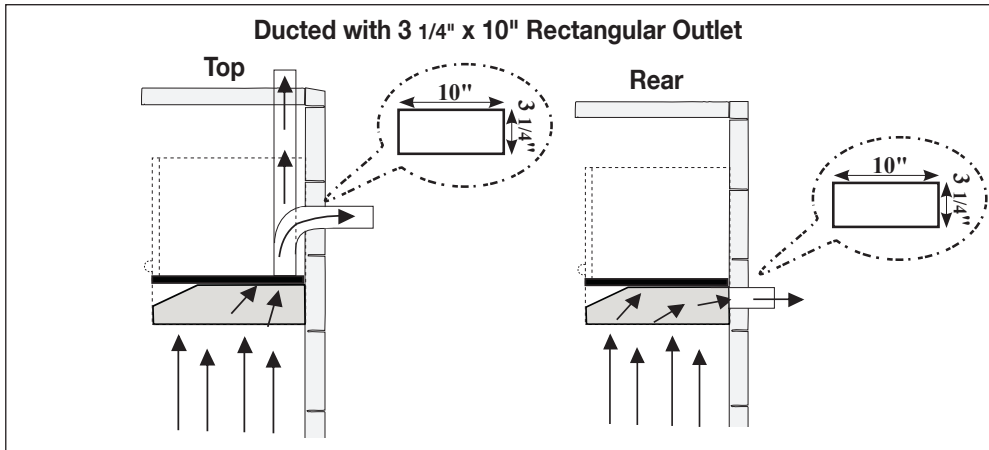
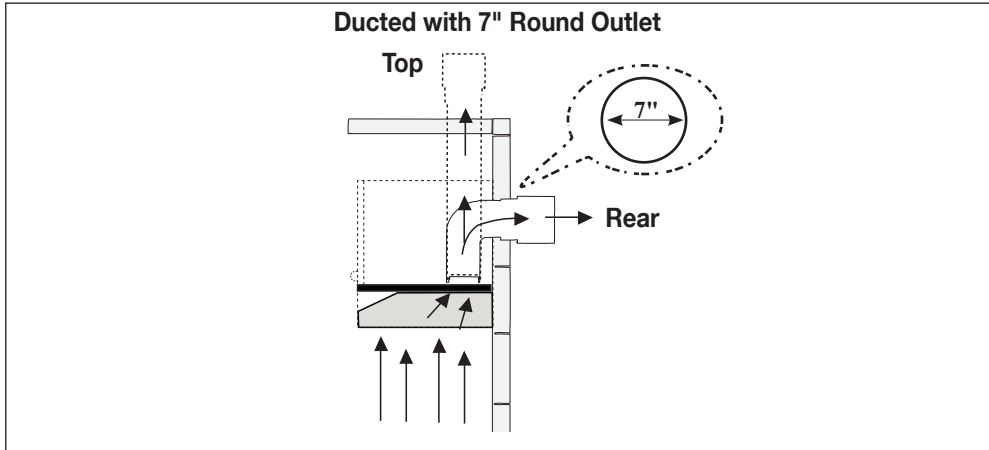
#### Rear Hole (Horizontal)



#### Top Hole (Vertical)

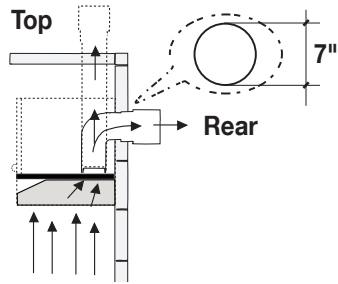


## Ducting Methods

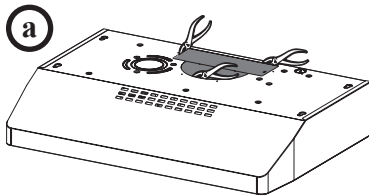
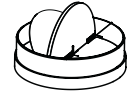




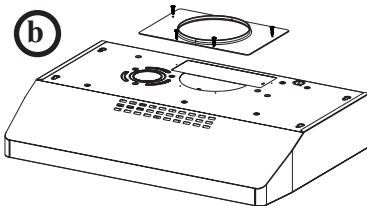
### Ducted - 7" Round Outlet



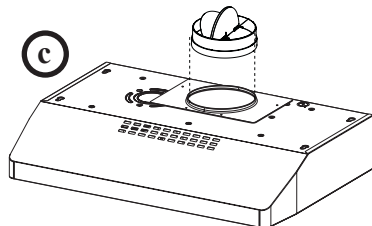
Required; 7" Round Damper Accessory purchase locally.



Cut where indicated. Remove both the angular and semicircle areas with metal shears.



Install the included flange with Flange transition screws 12c

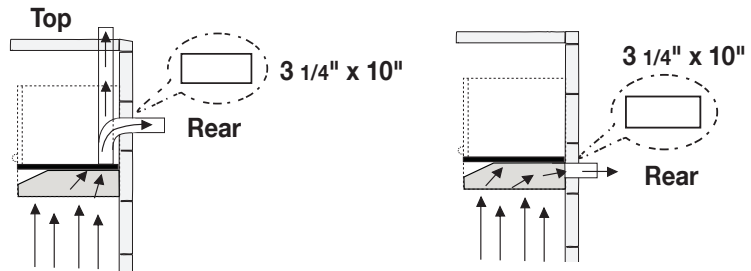


Install 7" Round Damper purchased separately.

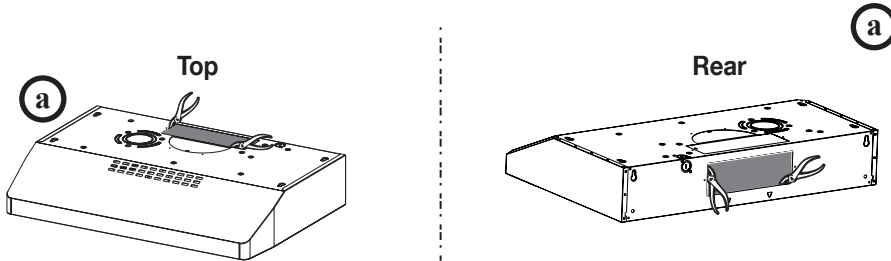
Go to page 14



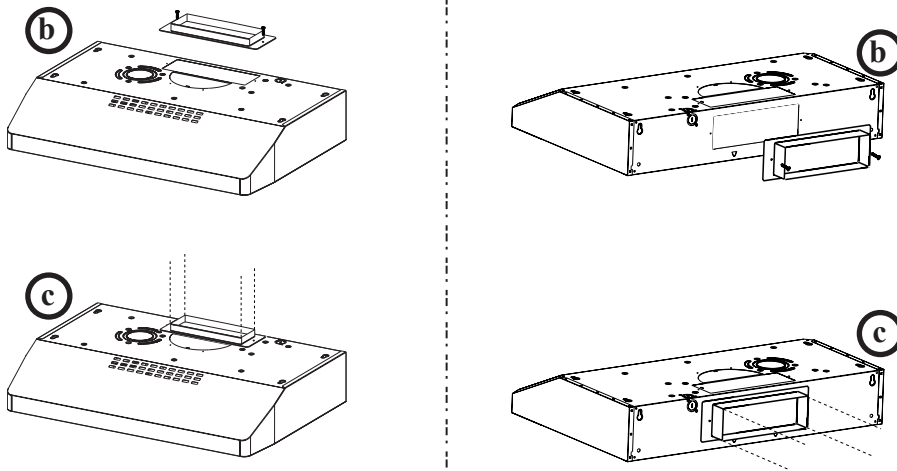
### Ducted - 3 1/4" x 10"



Choose the rectangular upper air outlet or rectangular rear air outlet and cut where indicated.



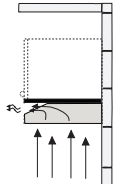
Install the included rectangular air outlet with two flange transition screws (12c).



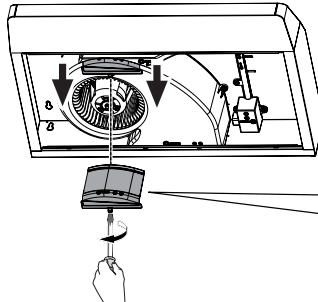
Go to page 14



## Non Ducted Recirculation Option

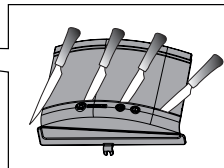


**a**



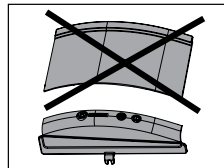
Remove the indicated blower cover (do not discard the screw).

**b1**



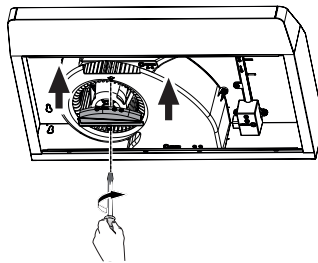
Cut the cover where indicated in picture b1.

**b2**



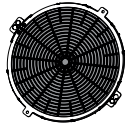
Discard / Recycle lower pieces of blower cover.

**b3**



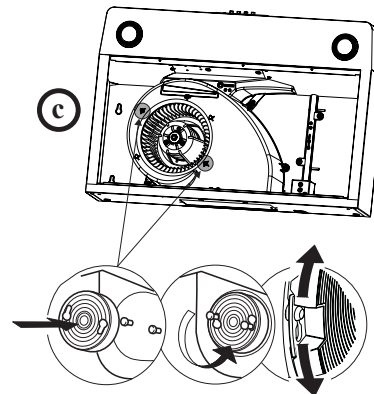
Reinstall the modified blower cover with the same screw.

Required Activated Charcoal Filter Accessory - (**FILTER5**) purchased separately.

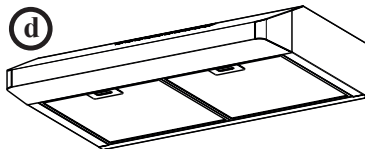


Install the Activated Charcoal Filter purchased separately, where indicated in the picture.

**c**

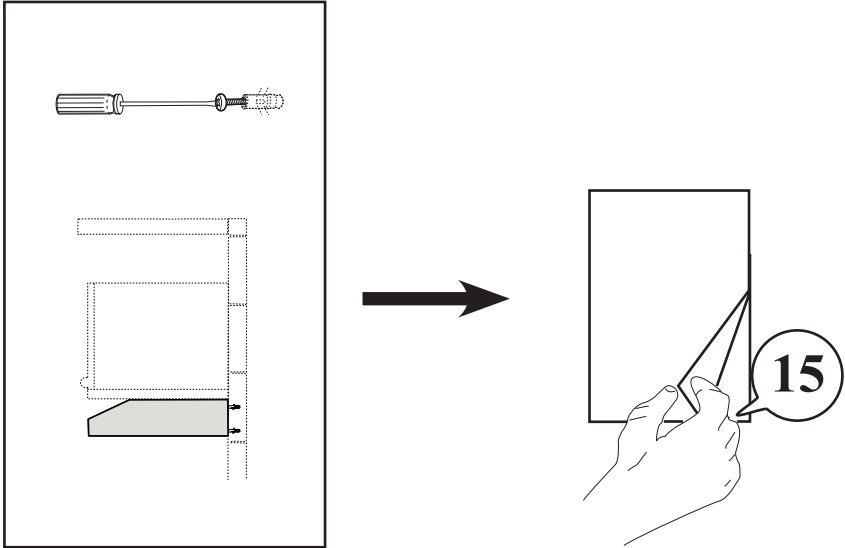


**d**

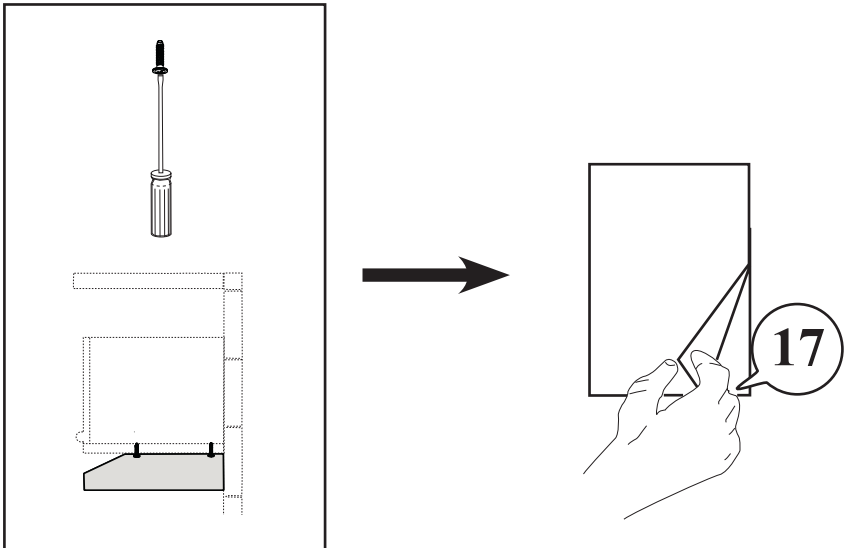


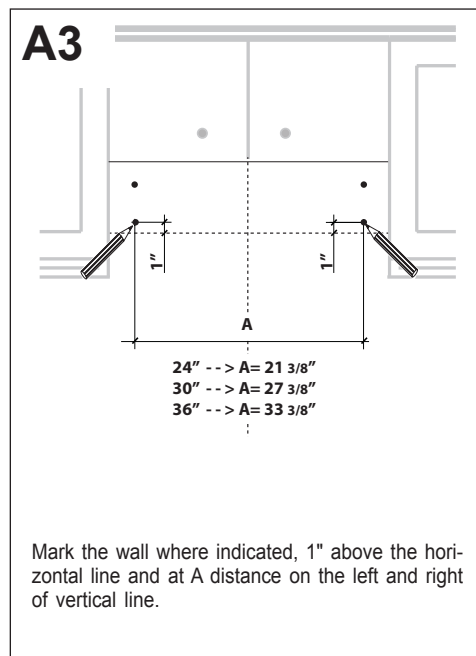
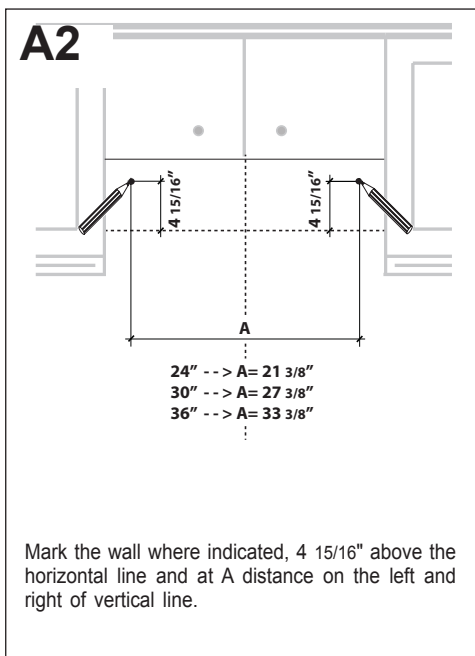
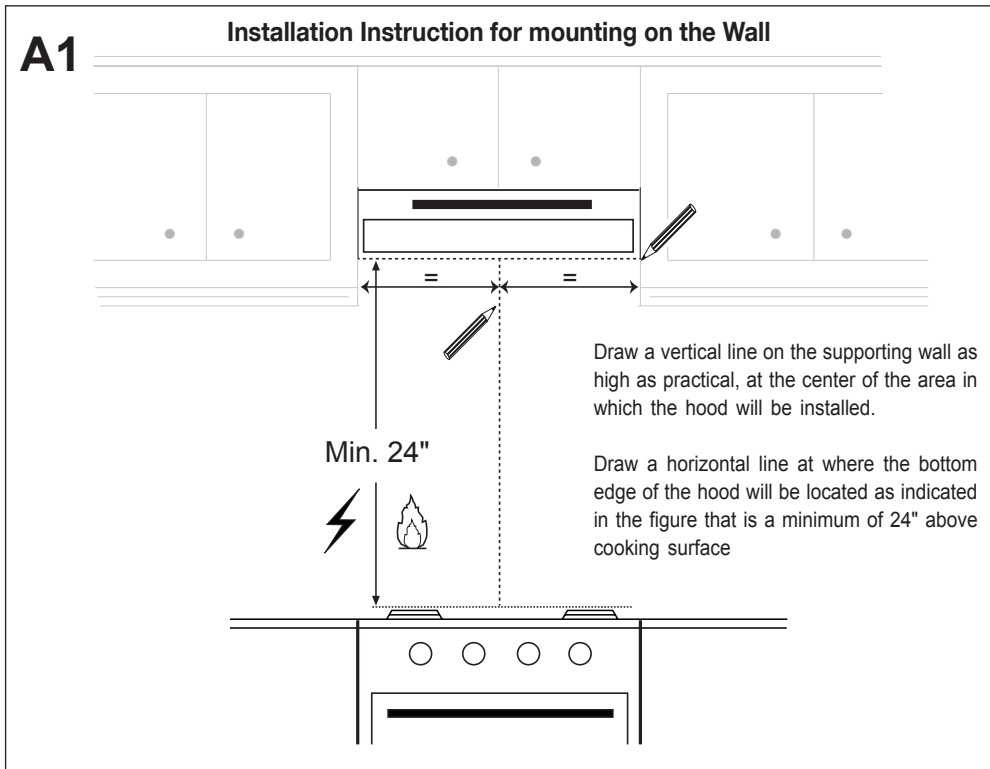
Reinstall the existing Grease Filters after installing the Activated Charcoal Filter before operating hood.

**Installation for Mounting on the Wall**



**Installation for Mounting to the cabinet**





**A4**

Drill directly into  $\varnothing 3/16''$  holes at all the center points marked.  
 Insert the purchased wall plugs in the holes.  
 If fastener locations do not align with the studs, insert the purchased wall plugs in the holes.

**A5**

In upper holes use two of the supplied screws to secure the hood body to the wall.

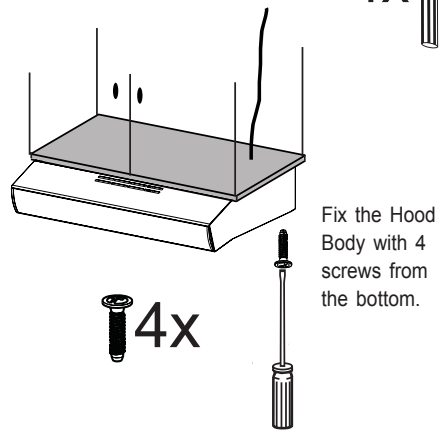
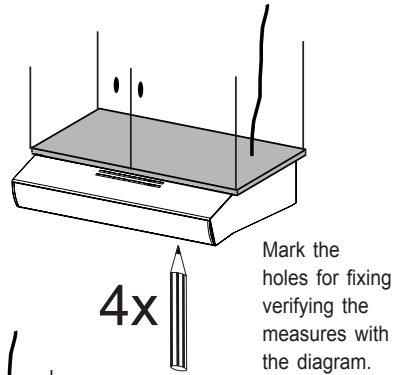
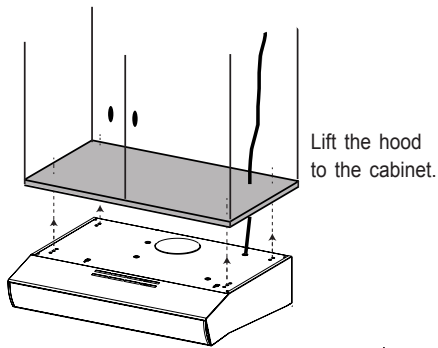
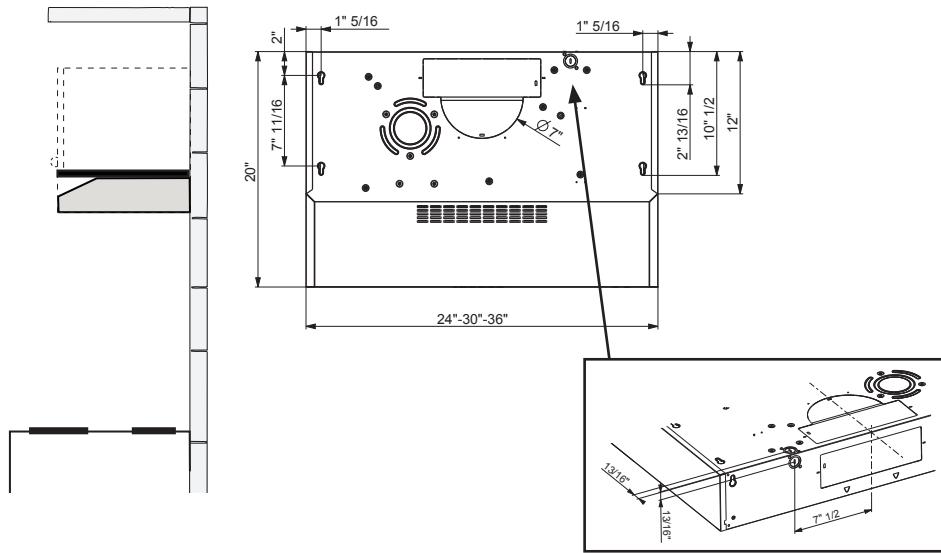
**A6**

Using two remaining screws anchor the hood in lower holes as indicated.



# B1

## Installation Instruction for Mounting Under to the Cabinet

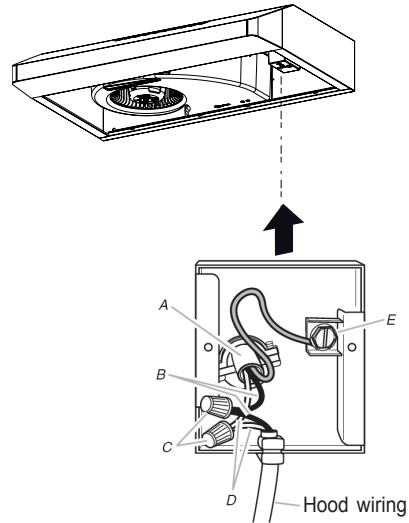


### Installation of wiring connection

Remove the cover from the field wiring compartment. Remove the wiring electrical knockout using a flat-blade screwdriver. Feed the Power Supply Cable through the electrical knockout.

Connect the Power Supply Cable to the rangehood. Attach the White lead of the power supply (A) to the White lead of the rangehood (D) with a twist-on type wire connector. Attach the Black lead of the power supply to the Black lead of the rangehood (B) with a twist-on type wire connector (C). Connect the Green (E) (Green and Yellow) ground wire under the Green grounding screw.

Replace the field wiring compartment cover and the grease filters.

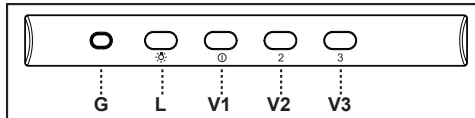


## USE AND CARE INFORMATION

### For Best Results

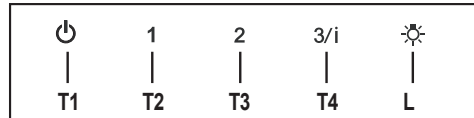
Start the rangehood several minutes before cooking to develop proper airflow. Allow the rangehood to operate for several minutes after cooking is complete to clear all smoke and odors from the kitchen.

#### Control ( Levante I )



- G. Indicator Light
- L. Lights - On and Off.
- V1. Low Speed.
- V2. Medium Speed.
- V3. Maximum Speed..

#### Control ( Levante II )

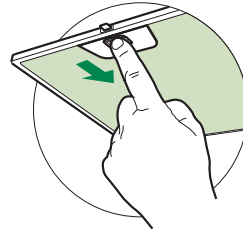


- T1. Fan Off Button: Turn the blower Off. The fan can be operated by pressing any of the fan setting buttons. Hold down this button for 2 seconds to activate delayed off function which will keep the fan On for 15 minutes and automatically shut Off.
- T2. Fan Settings Buttons: Low Speed.
- T3. Fan Settings Buttons: Medium Speed.
- T4. Fan Settings Buttons: High Speed. Hold down the button for 2 seconds to activate the INTENSIVE SPEED, which is timed to run for 10 minutes. At the end of this time it will automatically return to the speed set before. Suitable to deal with maximum levels of cooking fumes.
- L. Light Button: On/Dim/Off switch for the halogen lights. Press the LIGHT button to turn the light on, again to set the lights to dimmer, and again to turn off.

### Cleaning metal grease filters

The metal grease filters can be cleaned in hot detergent solution or washed in the dishwasher. They should be cleaned every 2 months use, or more frequently if use is particularly heavy.

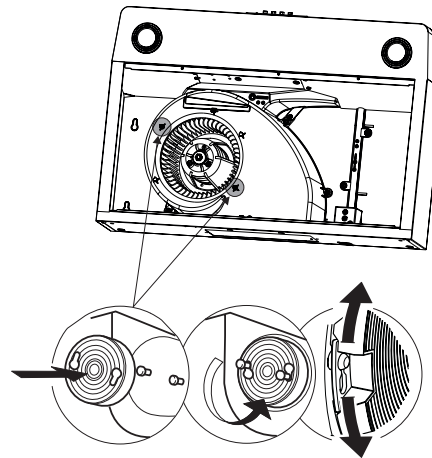
- Remove the filter, pushing the lever towards the back of the unit and at the same time pulling downward.
- Wash the filter without bending it, leave it to dry thoroughly before replacing (if the surface of the filter changes color over time, this will have absolutely no effect on its efficiency).
- Replace, taking care to ensure that the handle faces forward.
- Cleaning in dishwasher may dull the finish of the metal grease filter.



### Replacing Activated Charcoal Filter

The Activated Charcoal Filters are not washable and cannot be regenerated, and must be replaced approximately every 4 months of operation, or more frequently with heavy usage.

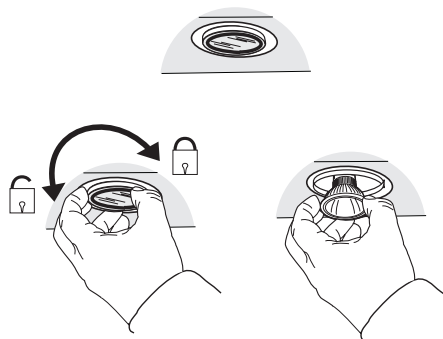
- Remove the grease filters.
- Remove the saturated carbon filter by releasing the fixing hooks
- Fit the new filter by hooking it into its seating.
- Replace the grease filters.



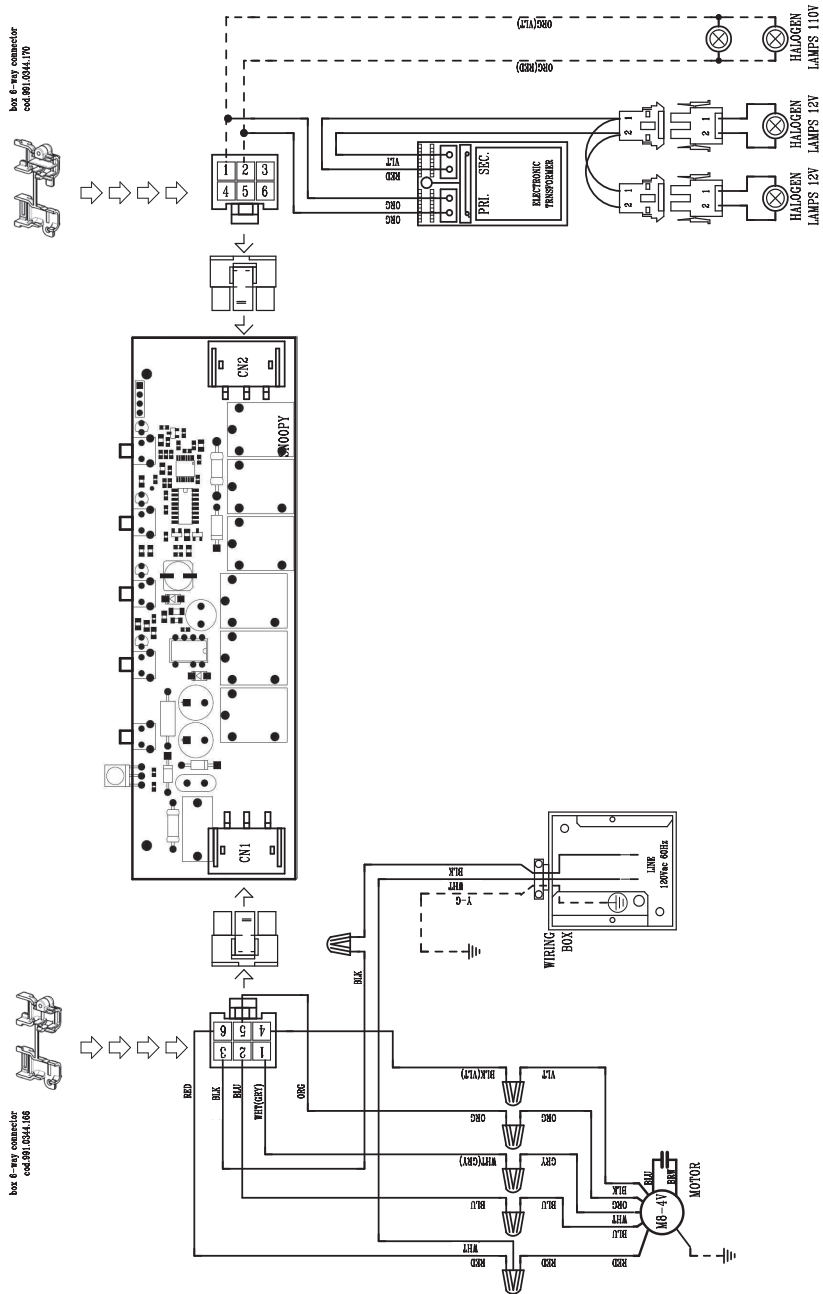
### Replacing the bulbs

#### 35 W halogen. Type GU10 bulb

- Remove the bulb (See the picture).
- Replace the bulb with a new one of the same type, making sure that you insert the two pins properly into the housings on the lamp holder and twist to lock back in place.

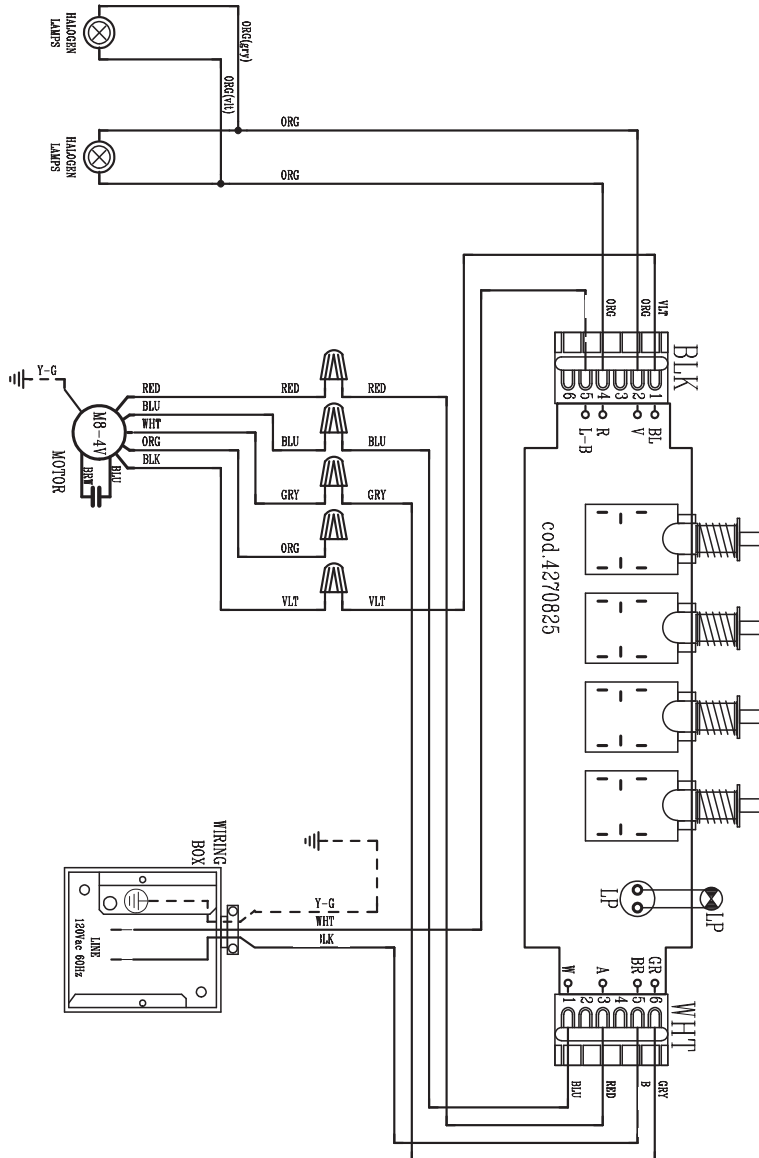


# Wiring Diagram LEVT30SS400-B LEVT36SS400-B



### Wiring Diagram

LEVA24SS300-B LEVA24WH300-B LEVA24BK300-B  
 LEVA30SS300-B LEVA30WH300-B LEVA30BK300-B  
 LEVA36SS300-B LEVA36WH300-B LEVA30BK300-B





## FABER CONSUMER WARRANTY & SERVICE

All Faber products are warranted against any defect in materials or workmanship for the original purchaser for a period of 1 year from the date of original purchase (requires proof of purchase). This warranty covers labor and replacement parts. Faber, at its option, may repair or replace the product or components necessary to restore the product to good working condition. To obtain warranty service, contact the dealer from whom you purchased the range hood, or the local Faber distributor. If you cannot identify a local Faber distributor, contact us at (508) 358-5353 for the name of a distributor in your area.

**The following is not covered by Faber's warranty:**

1. Service calls to correct the installation of your range hood, to instruct you how to use your range hood, to replace or repair house fuses or to correct house wiring or plumbing.
2. Service calls to repair or replace range hood light bulbs, fuses or filters. Those consumable parts are excluded from warranty coverage.
3. Repairs when your range hood is used for other than normal, single-family household use.
4. Damage resulting from accident, alteration, misuse, abuse, fire, flood, acts of God, improper installation, installation not in accordance with electrical or plumbing codes or Faber documentation, or use of products not approved by Faber.
5. Replacement parts or repair labor costs for units operated outside the United States or Canada, including any non-UL or C-UL approved Faber range hoods.
6. Repairs to the hood resulting from unauthorized modifications made to the range hood.
7. Expenses for travel and transportation for product service in remote locations and pickup and delivery charges. Faber range hoods should be serviced in the home.

THIS WARRANTY DOES NOT ALLOW RECOVERY OF INCIDENTAL OR CONSEQUENTIAL DAMAGES, INCLUDING, WITHOUT LIMITATION, DIRECT, INDIRECT, INCIDENTAL, SPECIAL OR CONSEQUENTIAL DAMAGES, PERSONAL INJURY/WRONGFUL DEATH OR LOST PROFITS. FABER WARRANTY IS LIMITED TO THE ABOVE CONDITIONS AND TO THE WARRANTY PERIOD SPECIFIED HEREIN AND IS EXCLUSIVE. EXCEPT AS EXPRESSLY SPECIFIED IN THIS AGREEMENT, FABER DISCLAIMS ALL EXPRESS OR IMPLIED CONDITIONS, REPRESENTATIONS, AND WARRANTIES INCLUDING, WITHOUT LIMITATION, ANY IMPLIED WARRANTIES OF MERCHANTABILITY OR FITNESS FOR A PARTICULAR PURPOSE.

This warranty gives you specific legal rights that may vary from state to state.

Model#: \_\_\_\_\_

Serial #: \_\_\_\_\_

January 4, 2016

## VEUILLEZ LIRE ET CONSERVER LA PRÉSENTE NOTICE AVANT DE COMMENCER L'INSTALLATION DE LA HOTTE DE CUISINE

### AVERTISSEMENT : POUR RÉDUIRE LE RISQUE D'UN FEU DE GRAISSE SUR LA TABLE DE CUISSON :

- a) Ne laissez jamais sans surveillance les éléments de la surface de cuisson à température élevée. Les bouillonnements excessifs peuvent provoquer de la fumée et les débordements de graisse peuvent s'enflammer. L'huile doit être chauffée lentement, à une température basse ou moyenne.
- b) Assurez-vous de toujours mettre en marche le ventilateur de la hotte lorsque vous cuisinez à température élevée ou préparez un mets flambé (p.ex. crêpes Suzette, cerises jubilé, bœuf flambé).
- c) Nettoyez régulièrement les ventilateurs d'aspiration. Assurez-vous de ne pas laisser de la graisse s'accumuler sur le ventilateur ou le filtre.
- d) Utilisez toujours des poêles et casseroles de la taille appropriée. Utilisez toujours des ustensiles de cuisine de la taille adaptée à celle de l'élément chauffant.

### AVERTISSEMENT : - POUR PRÉVENIR LES BLESSURES EN CAS DE FEU DE GRAISSE SUR LA TABLE DE CUISSON, SUIVEZ LES RECOMMANDATIONS SUIVANTES\* :

- a) **ÉTOUFFEZ LES FLAMMES** à l'aide d'un couvercle hermétique, d'une plaque à biscuits ou d'un plateau métallique, puis éteignez le brûleur. **FAITES ATTENTION AUX BRÛLURES.** Si le feu ne s'éteint pas immédiatement, **QUITTEZ LES LIEUX ET APPELEZ LES POMPIERS.**
- b) **NE PRENEZ JAMAIS UNE CASSEROLE EN FLAMME** - Vous pourriez vous brûler.
- c) **N'UTILISEZ JAMAIS DE L'EAU**, ni un linge à vaisselle ou un torchon mouillé, pour éteindre le feu. Cela pourrait provoquer une violente explosion de vapeur.
- d) Utilisez un extincteur **UNIQUEMENT** si :
  1. Vous êtes certain qu'il s'agit d'un extincteur de classe ABC et que vous connaissez bien son mode d'emploi.
  2. Le feu est de faible intensité et se limite à l'endroit où il a démarré.
  3. Les pompiers ont déjà été appelés.
  4. Une voie de sortie se trouve derrière vous pendant que vous éteignez les flammes.

\* D'après le guide « Kitchen Firesafety Tips » publié par la NFPA aux États-Unis

### AVERTISSEMENT - POUR RÉDUIRE LE RISQUE D'INCENDIE OU DE CHOC ÉLECTRIQUE, n'utilisez jamais ce ventilateur en association avec un dispositif de réglage de vitesse à semi-conducteurs.

### AVERTISSEMENT - POUR RÉDUIRE LES RISQUES D'INCENDIE, DE CHOC ÉLECTRIQUE OU DE BLESSURE CORPORELLE, RESPECTEZ LES INSTRUCTIONS SUIVANTES :

1. Utilisez cet appareil uniquement de la façon prévue par le fabricant.
2. Pour toute question, communiquez avec le fabricant.
3. Avant de procéder à l'entretien ou au nettoyage de l'appareil, coupez l'alimentation au niveau du panneau électrique et verrouillez-le pour vous assurer que l'électricité n'est pas rétablie accidentellement.
4. S'il n'est pas possible de verrouiller le dispositif d'interruption de l'alimentation, affichez de façon ferme et bien visible un avis de danger, par exemple à l'aide d'une étiquette sur le panneau.

**ATTENTION :** Destiné à un usage de ventilation générale uniquement. N'utilisez pas ce dispositif pour l'aspiration de vapeurs ou de matériaux dangereux ou explosifs.

### AVERTISSEMENT - POUR RÉDUIRE LES RISQUES D'INCENDIE, DE CHOC ÉLECTRIQUE OU DE BLESSURE CORPORELLE, RESPECTEZ LES INSTRUCTIONS SUIVANTES :

1. L'installation et le branchement électrique doivent être réalisés par un technicien qualifié et conformément à tous les codes et normes en vigueur, incluant ceux concernant la construction à l'épreuve du feu.
2. Afin de garantir une combustion et une évacuation adéquates des gaz par les conduites de la cheminée des appareils à combustion, une bonne aération est nécessaire pour éviter le refoulement. Respectez les lignes directrices fournies par le fabricant du matériel chauffant, ainsi que les normes de sécurité comme celles publiées par la National Fire Protection Association (NFPA) et la American Society for Heating, Refrigeration and Air Conditioning Engineers (ASHRAE) aux États-Unis, ainsi que les codes en vigueur dans votre région.

3. **Lorsque vous faites une ouverture ou percez dans un mur ou le plafond, veillez à ne pas endommager les fils électriques ou d'autres dispositifs cachés.**
4. **Les ventilateurs canalisés doivent toujours être raccordés à l'extérieur.**

TOUTE OUVERTURE DANS LE MUR OU LE PLANCHER À PROXIMITÉ DE LA HOTTE DOIT ÊTRE SCÉLÉE.

**Un espace libre d'au moins 24 " est requis** entre le bas de la hotte et la surface de cuisson ou le comptoir. Cette hotte a été homologuée par l'UL à cette distance de la surface de cuisson. La profondeur maximale des armoires suspendues est de 13 po. Les armoires suspendues de chaque côté de l'appareil doivent se trouver à au moins 18 " de la surface de cuisson ou du comptoir.

Consultez la notice d'installation de la surface de cuisson ou de la hotte fournie par le fabricant avant de pratiquer des ouvertures. **INSTALLATION DANS UNE MAISON MOBILE** L'installation de cette hotte doit être conforme à la Partie 3280 de la norme Manufactured Home Construction and Safety Standards, Title 24 CFR (précédemment la partie 280 de la norme Federal Standard for Mobile Home Construction and Safety, Title 24, HUD). Une alimentation à quatre fils doit être utilisée et le câblage de l'appareil doit être inspecté. Consultez la fiche technique électrique.

#### CRITÈRES DE VENTILATION

Déterminez quelle méthode de ventilation est mieux adaptée à votre application. Les conduits peuvent passer par le mur ou le toit.

Pour garantir une meilleure efficacité, la longueur des conduits et le nombre de coudes doivent être le plus limités que possible. Le diamètre des conduits devrait être uniforme. N'installez pas deux coudes ensemble. Utilisez un ruban pour canalisations afin de sceller tous les joints du système de conduits. Utilisez un calfeutrage pour sceller les ouvertures dans le mur extérieur ou le plancher, autour du clapet.

**Il n'est pas recommandé d'utiliser des conduits flexibles. Les conduits flexibles provoquent une contrepression et de la turbulence qui diminuent grandement l'efficacité de l'appareil.**

Assurez-vous que l'espace libre dans le mur ou le plancher est suffisant pour le conduit d'évacuation avant de pratiquer les ouvertures. Ne coupez jamais une poutre ou un chevron, sauf si c'est absolument nécessaire. S'il s'avère nécessaire de couper une poutre ou un chevron, la construction d'un renforcement est requise.

**AVERTISSEMENT - Pour réduire le risque d'incendie, utilisez uniquement des conduits métalliques.**

**ATTENTION - Pour réduire le risque d'incendie et pour évacuer adéquatement l'air, assurez-vous de raccorder les conduits à l'extérieur – Ne diffusez pas l'air d'évacuation dans des espaces à l'intérieur des murs ou du plafond, ou encore à l'intérieur d'un grenier, d'une galerie technique ou d'un garage.**

#### **Installation dans les climats froids**

Le système de ventilation doit prévoir un registre antirefoulement supplémentaire pour réduire le flux d'air froid inverse, ainsi qu'une barrière thermique pour réduire la conduction des températures extérieures. Le registre doit être installé du côté air froid par rapport à la barrière thermique. La barrière thermique doit être positionnée le plus près que possible de l'endroit où le système de ventilation pénètre dans la partie chauffée de la maison.



## AVERTISSEMENT

- Le système de ventilation **DOIT** déboucher à l'extérieur.
- **NE FAITES PAS** déboucher les conduits dans un grenier ou un autre endroit fermé.
- **N'UTILISEZ PAS** un clapet de sècheuse mural de 4 " .
- Il n'est pas recommandé d'utiliser des conduits flexibles.
- **N'ENTRAVEZ PAS** le flux de l'air de combustion et de ventilation.
- Le non-respect des exigences en matière de ventilation pourrait entraîner un incendie.

### FICHE TECHNIQUE ÉLECTRIQUE

Une alimentation de courant alternatif de 120 volt à 60 Hz est requise sur un circuit à fusible distinct de 15 ampères. Il est recommandé d'installer un fusible temporisé ou un disjoncteur. Le fusible doit être calibré conformément aux codes en vigueur pour les caractéristiques nominales électriques de l'appareil, indiquées sur la plaque signalétique située à l'intérieur de l'appareil, à proximité du compartiment des câblages externes.

### INSTALLATION ÉLECTRIQUE AVEC BOÎTIER DE CÂBLAGES

CET APPAREIL DOIT ÊTRE UNIQUEMENT BRANCHÉ À L'AIDE DE FILS DE CUIVRE. Le calibre des fils doit être conforme aux critères de la dernière édition du National Electrical Code, de l'ANSI/NFPA 70 et de l'ensemble des codes et réglementations en vigueur. Le calibre des fils et les connexions doivent être adaptés aux caractéristiques nominales de l'appareil. Il est possible de se procurer un exemplaire des normes indiquées ci-dessus en communiquant avec :

National Fire Protection Association  
Batterymarch Park  
Quincy, Massachusetts 02269 (États-Unis)

Cet appareil devrait être branché directement au sectionneur à fusible (ou au disjoncteur) par un câble flexible de cuivre avec blindage ou gaine non métallique. Laissez un peu de jeu dans le câble pour permettre le déplacement de l'appareil si des travaux d'entretien s'avéraient nécessaires. Un raccord de conduit homologué par l'UL de 1/2 " doit être installé aux deux extrémités du câble d'alimentation (au niveau de l'appareil et de la boîte de liaison).

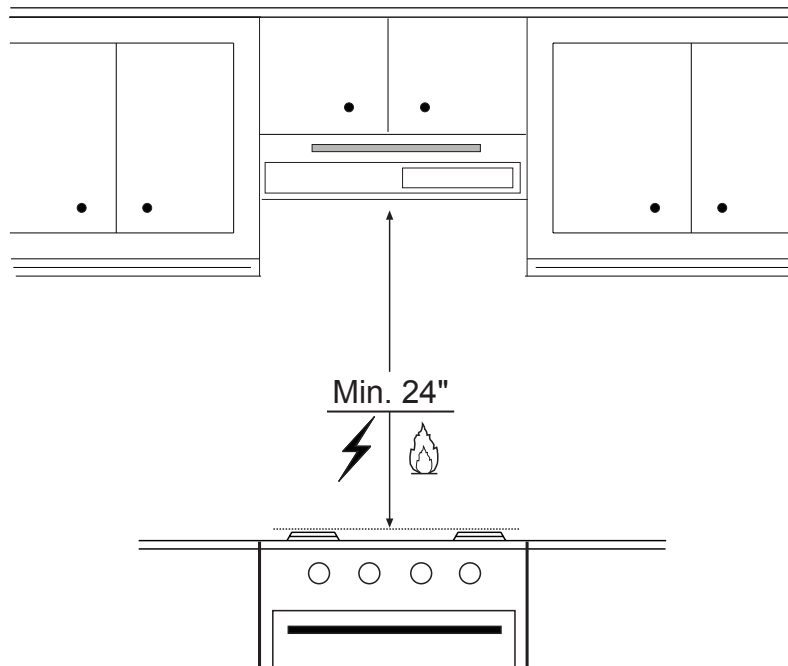
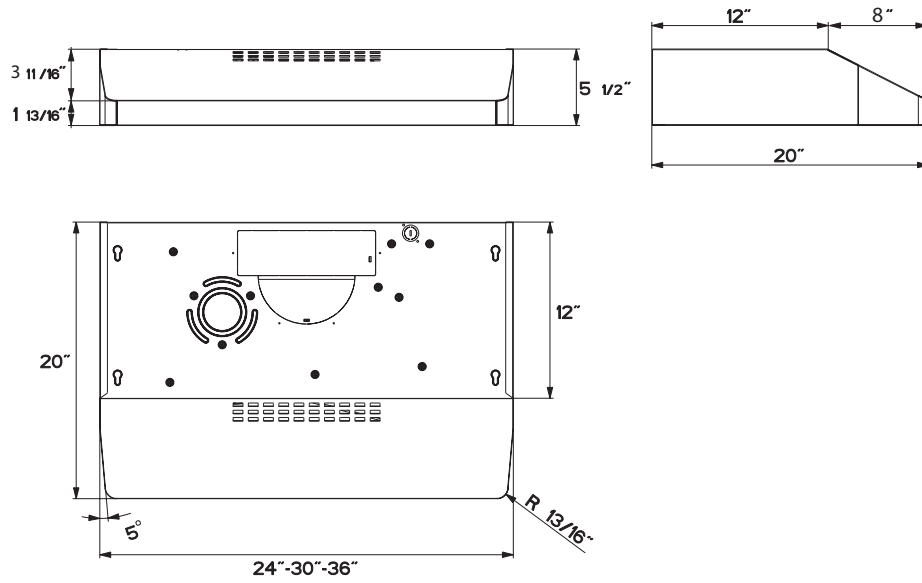
Lors de la réalisation du branchement électrique, réalisez un trou de 1 1/4 " dans le mur. S'il s'agit d'un trou dans le bois, il doit être poncé pour le rendre lisse. S'il s'agit d'un trou dans le métal, un passe-fils est requis.



## AVERTISSEMENT

- Une mise à la terre électrique est requise pour cette hotte.
- N'UTILISEZ PAS un tuyau d'eau froide pour la mise à la terre si celui-ci est branché par des joints en plastique, par des rondelles non métalliques ou d'autres matériaux.
- N'UTILISEZ PAS une conduite de gaz pour la mise à la terre.
- N'INSTALLEZ PAS un fusible sur le circuit neutre ou le circuit de mise à la terre. La présence d'un fusible dans le circuit neutre ou de mise à la terre peut entraîner un choc électrique.
- Consultez un électricien qualifié si vous n'êtes pas certain de la mise à la terre de la hotte.
- Le non-respect des exigences de la fiche technique électrique pourrait entraîner un incendie.

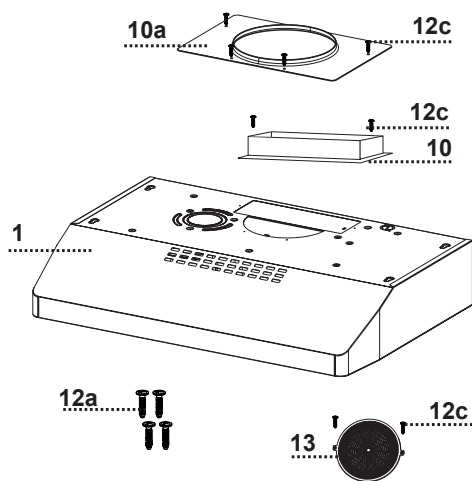
## DIMENSIONS DE LA HOTTE



## PIÈCES PRINCIPALES

### Composants

Réf.	Qté	Composants du produit
1	1	Bâti de la hotte, avec : Commandes, Éclairage, Filtres, Ventilateur.
10	1	Registre 3 1/4 " x 10 "
10a	1	Bride ronde 7 "
13	1	Grille (Canada uniquement)
Réf.	Qté	Composants d'installation
12a	4	Vis 3/16 "x 1 15/16" (pour pose murale)
12c	6	Vis 1/8 " x 3/8 " (pour raccord de transition flasque fourni)
Qté	Documentation	
1	Mode d'emploi	



### Pièces requises

- Registre circulaire 7 " si bride ronde 7 " utilisée.
- Chevilles pour cloison sèche ou autre système de fixation mural, en fonction de votre installation.
- Connecteurs de fils.

Si l'installation prévoit la fixation de l'appareil au dessous d'armoires en bois avec un fond en retrait; il faut se procurer sur place des bandes de bois de 1 " x 2 " x 12 " (longueur approximative). Les vis de montage mural 12C peuvent s'avérer adéquates en guise de fixation pour ce type d'installation. Dans le cas contraire, il est également nécessaire de se procurer sur place quatre vis à bois à tête plate.

### Accessoires disponibles

Filtre à charbon actif (FILTER5)

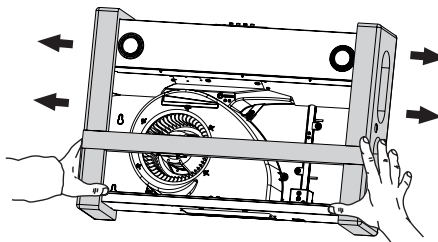


Télécommande-REMCTRL- (Modèles Levante II uniquement).

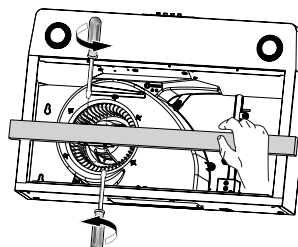


**Retirez les matériaux d'emballage suivants avant de procéder à l'installation**

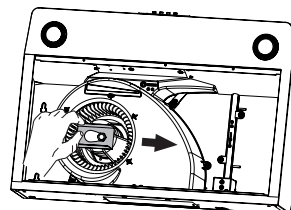
Enlevez les emballages latéraux.



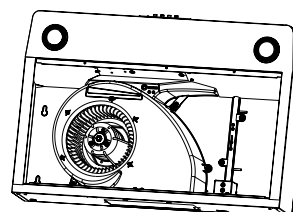
Enlevez le cadre de bois en dévissant les 4 vis.



Déplacez le bloc vers la droite et tirez pour l'enlever.



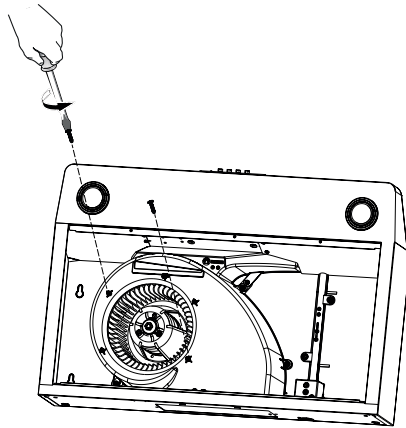
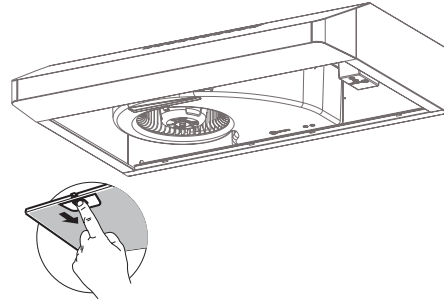
Vous êtes prêt à procéder à l'installation.





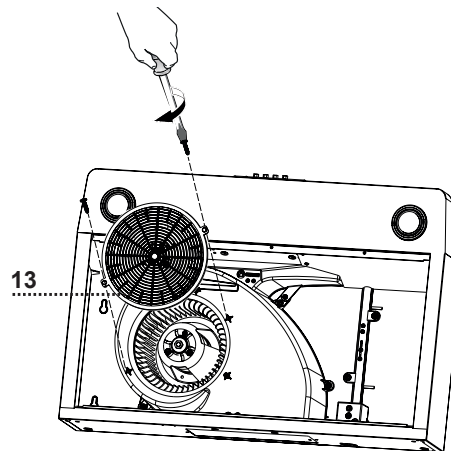
## POUR LE MARCHÉ CANADIEN UNIQUEMENT

Retirez les filtres un à un, en les poussant simultanément vers l'arrière du groupe et en les tirant vers le bas.

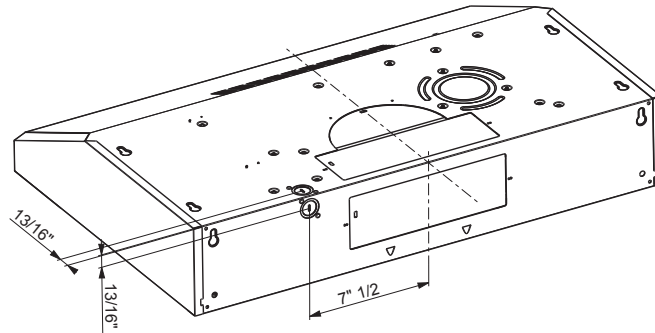


Retirez les 2 vis déjà posées.

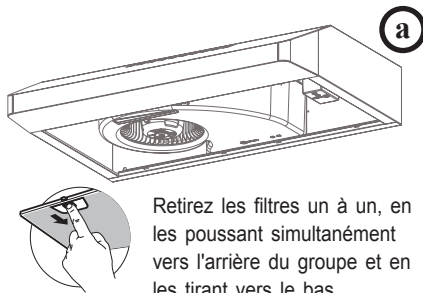
Installez la grille 13 à l'aide de 2 vis enlevées précédemment, comme dans l'illustration.



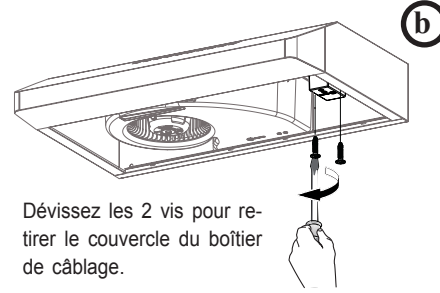
## Choisir l'entrée électrique défonçable verticale ou horizontale



### Avant de procéder au défonçement de l'entrée électrique verticale ou horizontale



Retirez les filtres un à un, en les poussant simultanément vers l'arrière du groupe et en les tirant vers le bas.



Dévissez les 2 vis pour retirer le couvercle du boîtier de câblage.

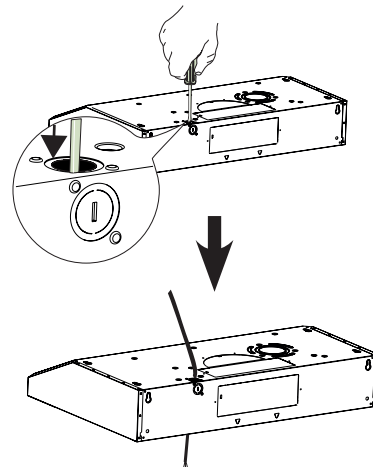
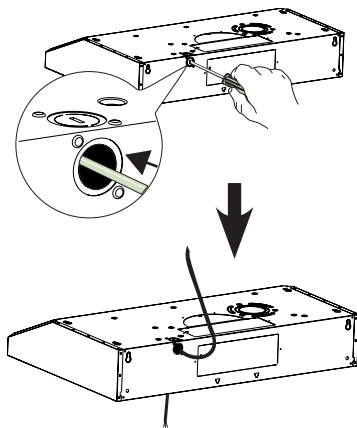
Choisissez si vous utiliserez l'orifice arrière ou l'orifice supérieur pour le branchement électrique et brisez l'orifice choisi à l'aide d'un tournevis ou d'un autre outil.

Durant l'installation, faites passer le câble d'alimentation électrique dans cet orifice.

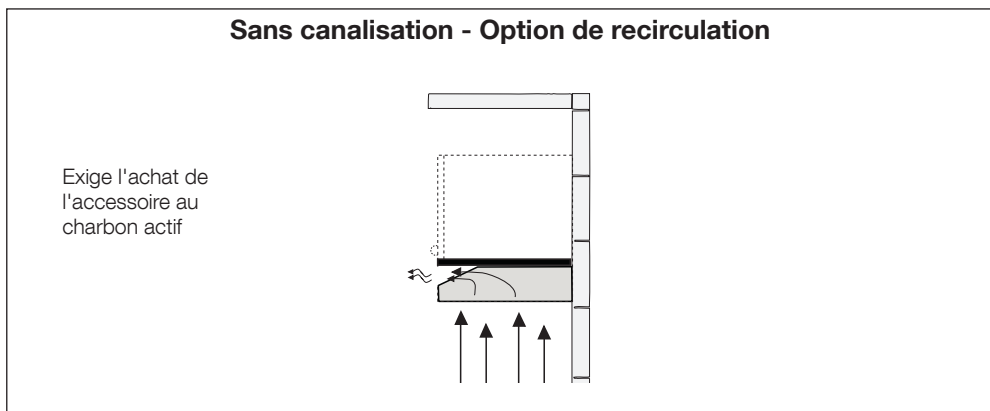
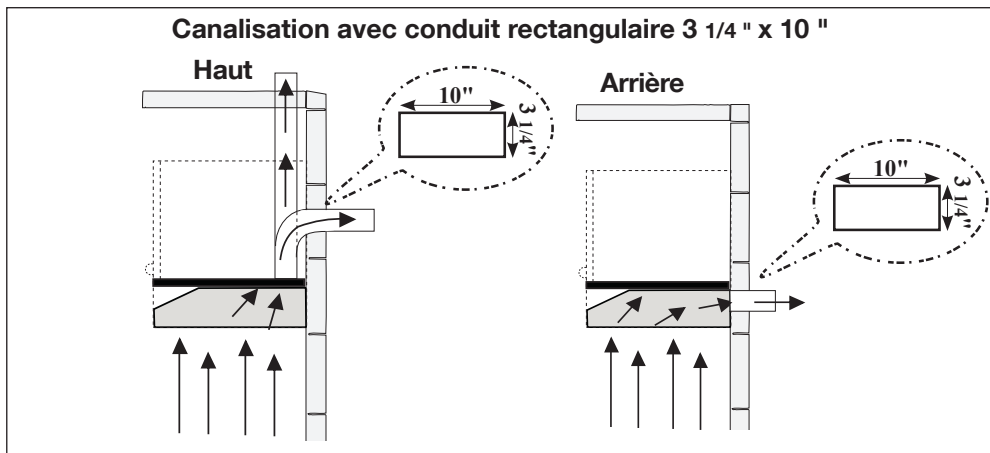
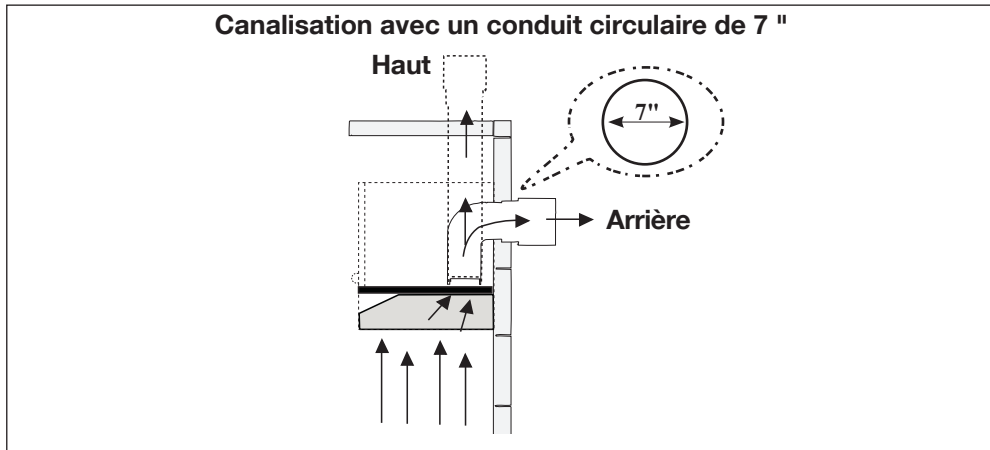
#### Orifice arrière (horizontal)

**c**

#### Orifice supérieur (vertical)

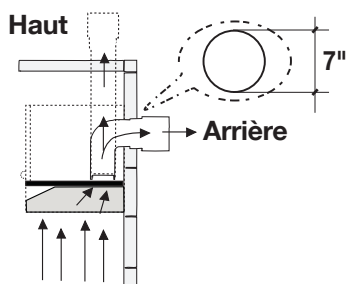


## Méthodes de canalisation

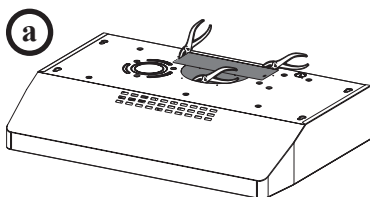
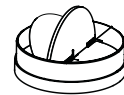




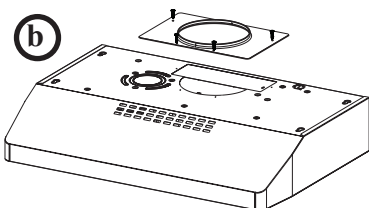
### Avec canalisation - conduit circulaire 7 "



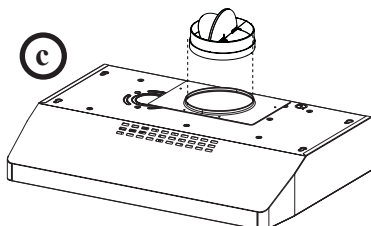
Requis : registre circulaire 7 " à se procurer sur place.



Coupez aux endroits indiqués.  
Retirez les zones angulaires et le demi-cercle à l'aide de cisailles à métaux.



Installez le flasque inclus à l'aide des vis 12c pour raccord de transition du flasque.

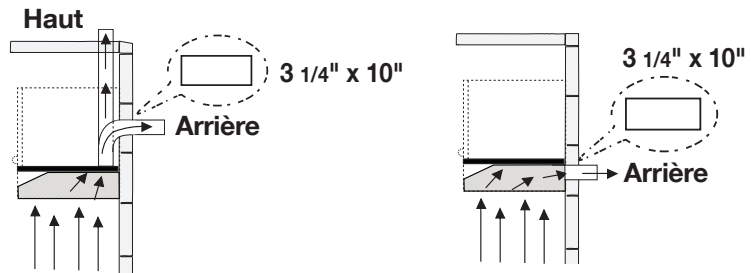


Installez le registre circulaire 7 " acheté séparément.

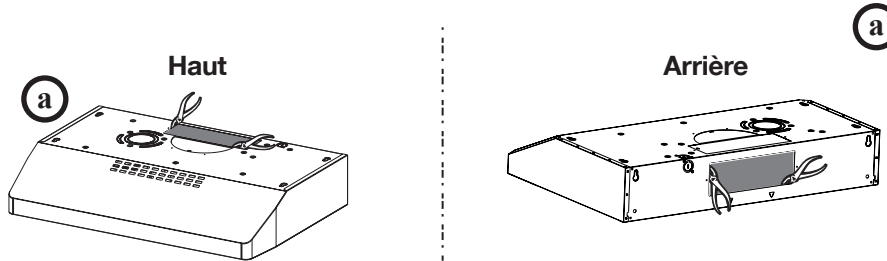
**Passez à la page 35**



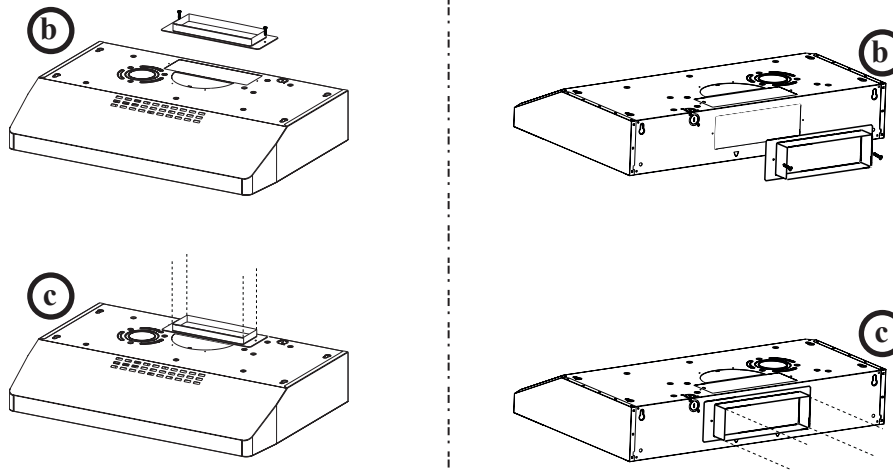
**Avec canalisation - 3 1/4 " x 10 "**



Choisissez la sortie d'air rectangulaire supérieure ou arrière et coupez à l'endroit indiqué.

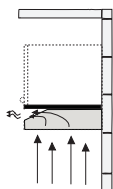


Installez la sortie d'air rectangulaire fournie à l'aide de deux vis pour raccord de transition du flasque (12c) .

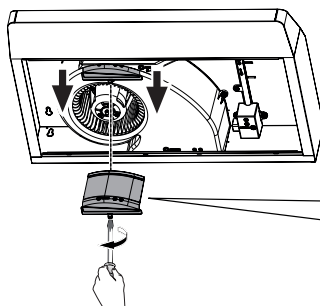


**Passez à la page 35**

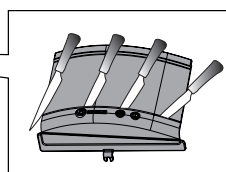
### Option de recirculation sans canalisation



**a**

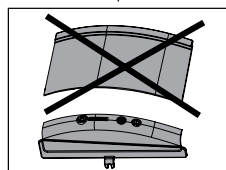


Retirez le couvercle du ventilateur indiqué (conservez la vis).



**b1**

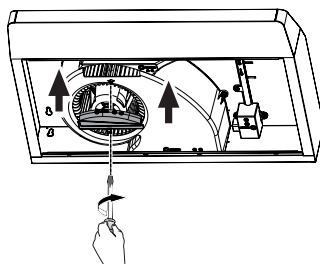
Coupez le couvercle à l'endroit indiqué dans l'illustration b1.



**b2**

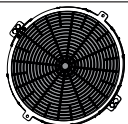
Jetez/ Recyclez les pièces inférieures du couvercle du ventilateur.

**b3**



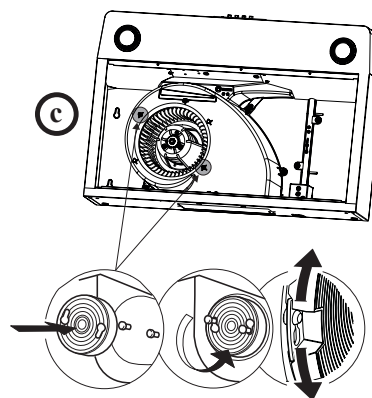
Remettez le couvercle du ventilateur modifié en place à l'aide de la même vis.

Accessoire au charbon actif requis - (FIL-TRE5) acheté séparément.

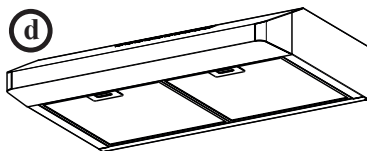


Installez le filtre au charbon actif acheté séparément à l'endroit indiqué dans l'illustration.

**c**

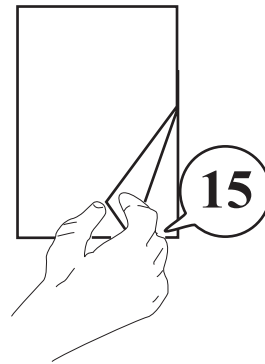
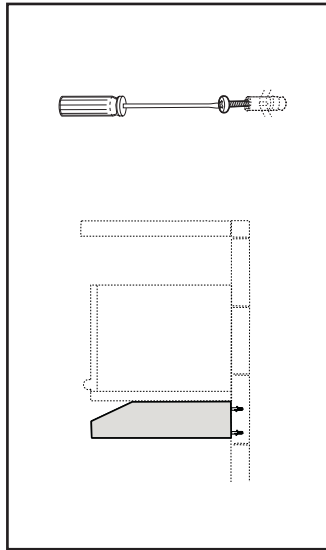


**d**

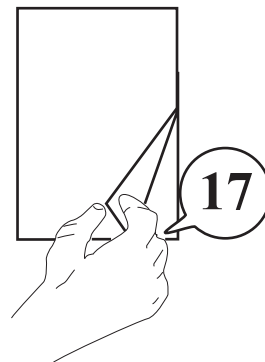
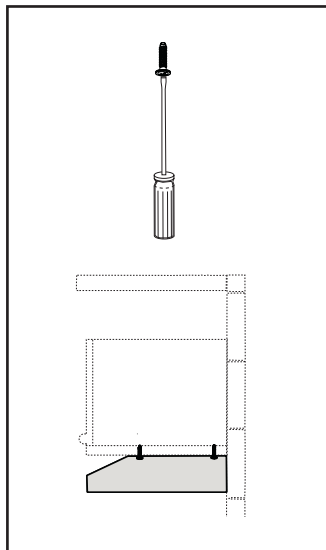


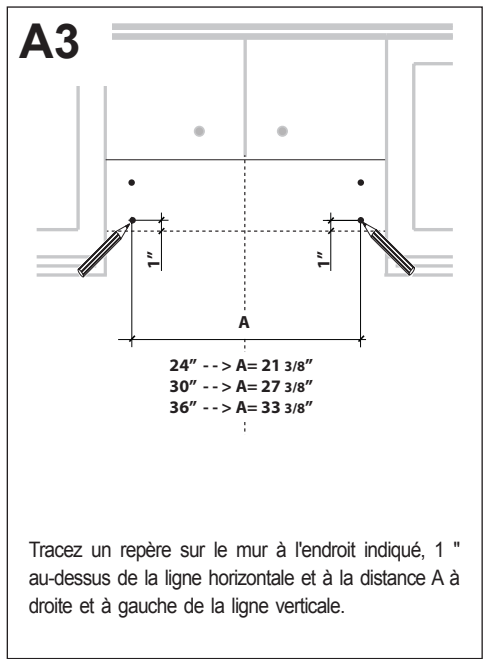
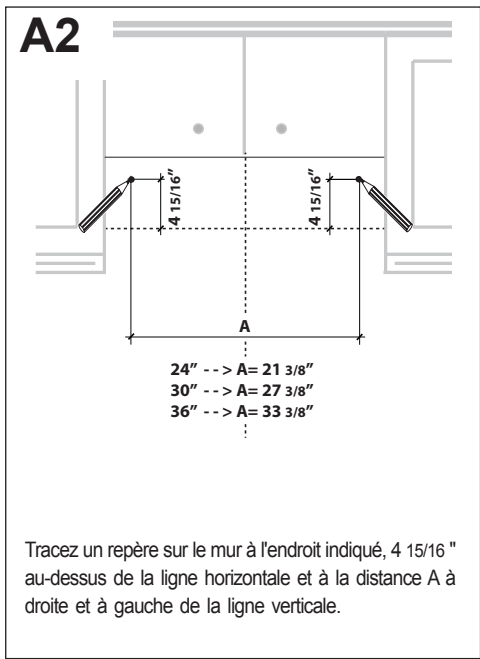
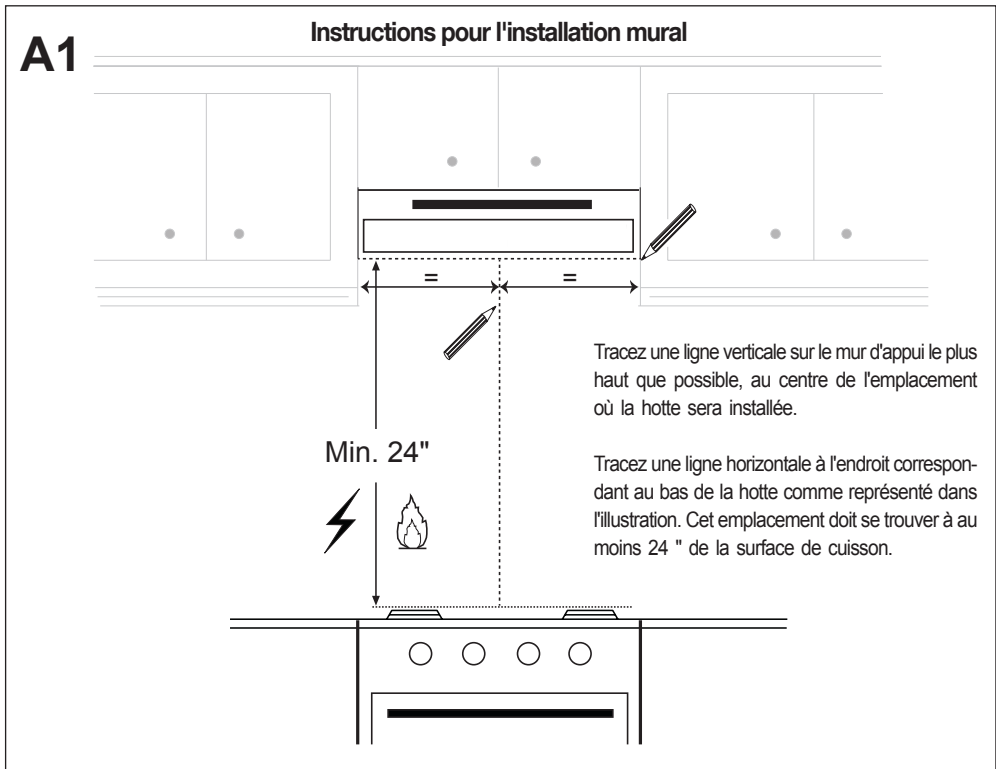
Avant d'utiliser la hotte, remettez en place le filtre à graisse après avoir installé le filtre à charbon actif.

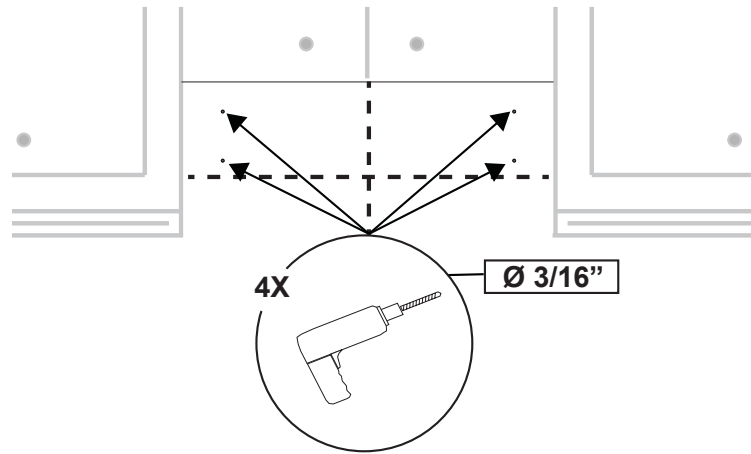
### Installation pour montage mural



### Installation pour montage à l'armoire



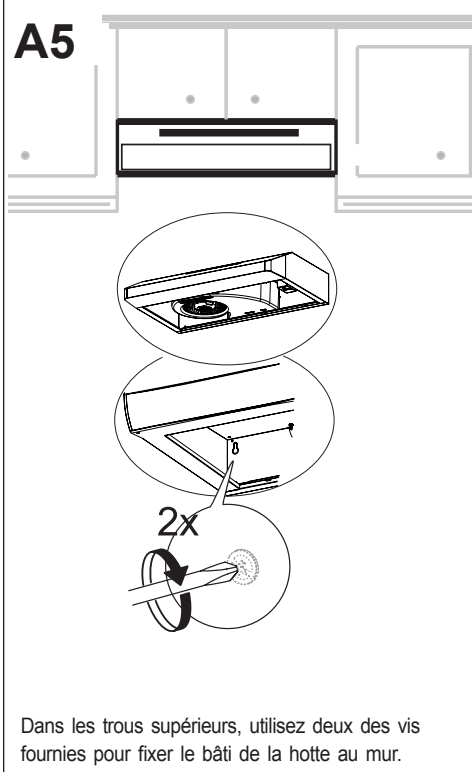


**A4**

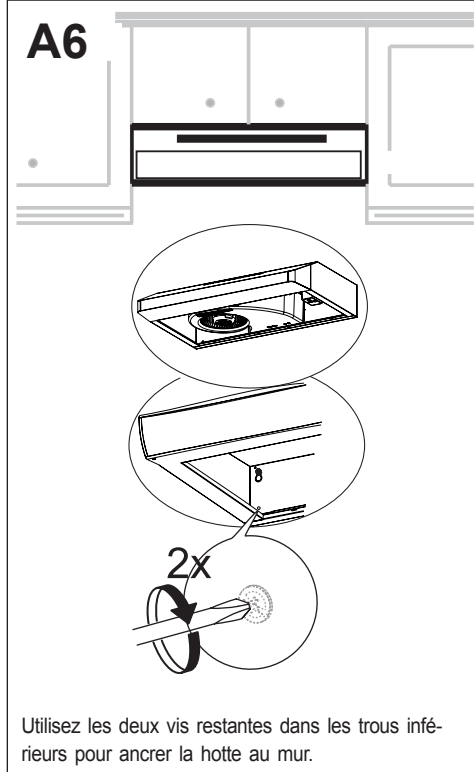
Percez des trous de  $\varnothing 3/16$  " directement au centre des repères.

Insérez les chevilles achetées dans les trous.

Si l'emplacement des fixations n'est pas aligné avec les chevrons, insérez les chevilles achetées dans les trous.

**A5**

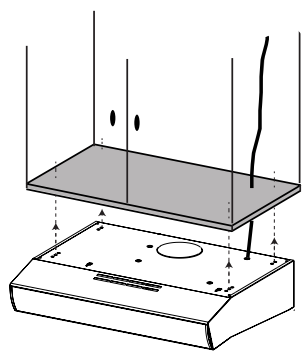
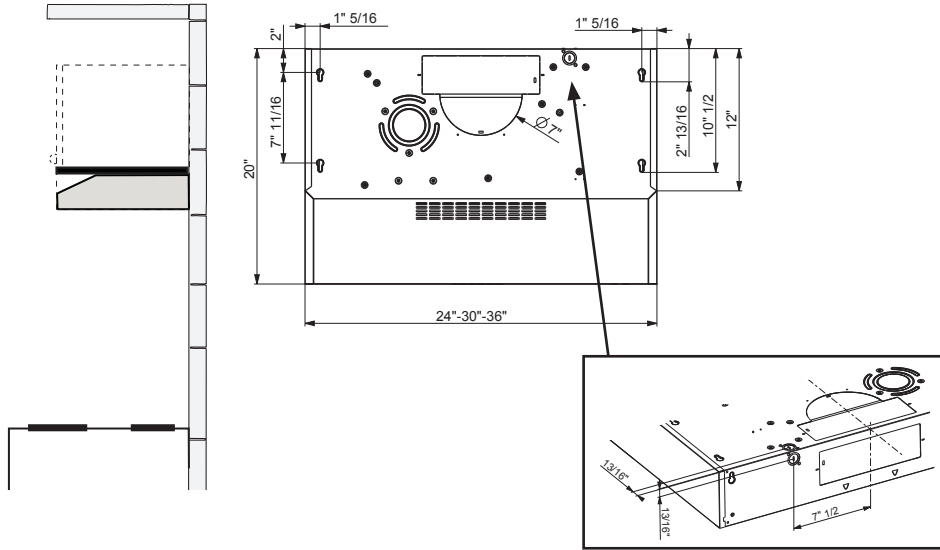
Dans les trous supérieurs, utilisez deux des vis fournies pour fixer le bâti de la hotte au mur.

**A6**

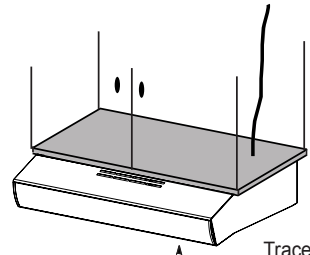
Utilisez les deux vis restantes dans les trous inférieurs pour ancrer la hotte au mur.

# B1


## Instructions pour l'installation sous une armoire

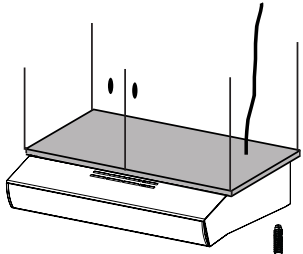


Soulevez la hotte jusqu'à l'armoire.



Tracez les repères pour l'installation en vérifiant les mesures à l'aide du diagramme.

4x 



Fixez le bâti de la hotte par le dessous à l'aide des 4 vis.

4x 

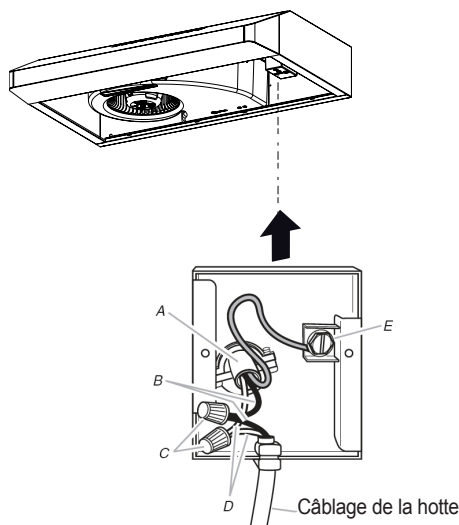


### Réalisation des branchements

Retirez le couvercle du compartiment des câblages externes. Défoncez l'entrée électrique à l'aide d'un tournevis plat. Faites passer le câble d'alimentation dans l'entrée électrique défoncée.

Branchez le câble d'alimentation à la hotte. Branchez le fil blanc de l'alimentation (A) au fil blanc de la hotte (D) à l'aide d'un connecteur verrouillé par rotation. Branchez le fil noir de l'alimentation au fil noir de la hotte (B) à l'aide d'un connecteur verrouillé par rotation (C). Branchez le câble vert (E) (vert et jaune) de mise à la terre sous la mise à la terre verte.

Remettez le couvercle du compartiment des câblages externes et les filtres à graisse en place.

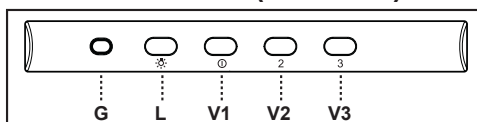


## INFORMATIONS POUR L'UTILISATION ET L'ENTRETIEN

### Pour de meilleurs résultats

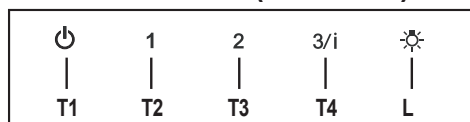
Activez la hotte quelques minutes avant de commencer à cuisiner pour créer un flux d'air adéquat. Laissez la hotte fonctionner quelques minutes après avoir fini de cuisiner pour absorber toute la fumée et les odeurs de la cuisine.

### Commandes ( Levante I )



- G. Témoin
- L. Éclairage - Marche et Arrêt.
- V1. Vitesse réduite.
- V2. Vitesse moyenne.
- V3. Vitesse maximale.

### Commandes ( Levante II )

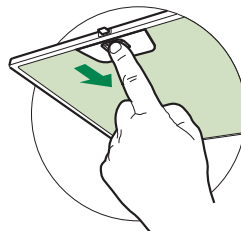


- T1. Désactivation du ventilateur : éteint le ventilateur. Le ventilateur peut être allumé en appuyant sur l'un ou l'autre des boutons de réglage.  
Tenez ce bouton enfoncé pendant 2 secondes pour activer la fonction de désactivation retardée, qui éteindra automatiquement le ventilateur après 15 minutes de marche.
- T2. Boutons de réglage du ventilateur : vitesse réduite.
- T3. Boutons de réglage du ventilateur : vitesse moyenne.
- T4. Boutons de réglage du ventilateur : vitesse élevée.  
Tenez le bouton enfoncé pendant environ 2 secondes pour activer la VITESSE INTENSIVE, pour une durée de 10 minutes. Après ce délai, la vitesse retournera automatiquement à la vitesse sélectionnée précédemment. Utile pour contrer les émanations maximales de cuisson.
- L. Bouton pour l'éclairage : Commutateur Marche/Intensité variable/Arrêt pour l'éclairage halogène. Appuyez sur le bouton LIGHT pour mettre l'éclairage en marche, de nouveau pour varier l'intensité et une nouvelle fois pour éteindre.

### Nettoyage des filtres à graisse métalliques

Les filtres à graisse métalliques peuvent être lavés dans une solution d'eau chaude savonneuse ou dans le lave-vaisselle. Ils devraient être nettoyés tous les 2 mois d'utilisation, ou plus fréquemment en cas d'utilisation particulièrement intensive.

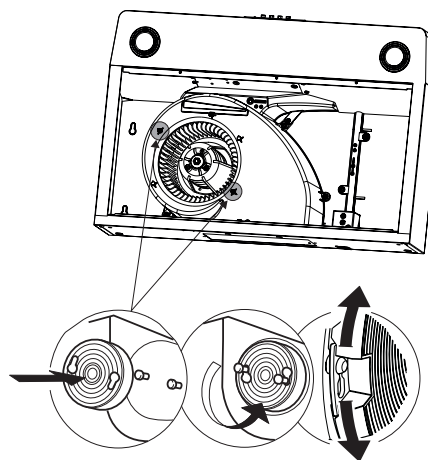
- Retirez le filtre, en poussant simultanément le levier vers l'arrière de l'appareil et en le tirant vers le bas.
- Lavez le filtre sans le plier. Laissez-le sécher complètement avant de le réinstaller (un changement de la couleur à la surface du filtre au fil du temps n'a aucun impact sur son efficacité).
- Remettez-le en place, en vous assurant que la poignée se trouve vers l'avant.
- Le lave-vaisselle pourrait ternir le fini du filtre à graisse métallique.



### Remplacement du filtre à charbon actif

Les filtres à charbon actif ne sont pas lavables et ne peuvent être régénérés. Ils doivent être remplacés environ tous les 4 mois d'utilisation, ou plus souvent en cas d'utilisation intensive.

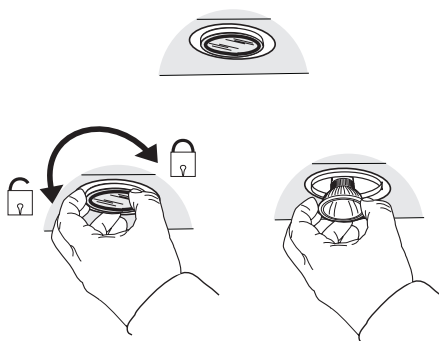
- Retirez les filtres à graisse.
- Retirez le filtre à charbon saturé en détachant les crochets de fixation
- Posez le nouveau filtre en l'installant à son emplacement.
- Remplacez les filtres à graisse.



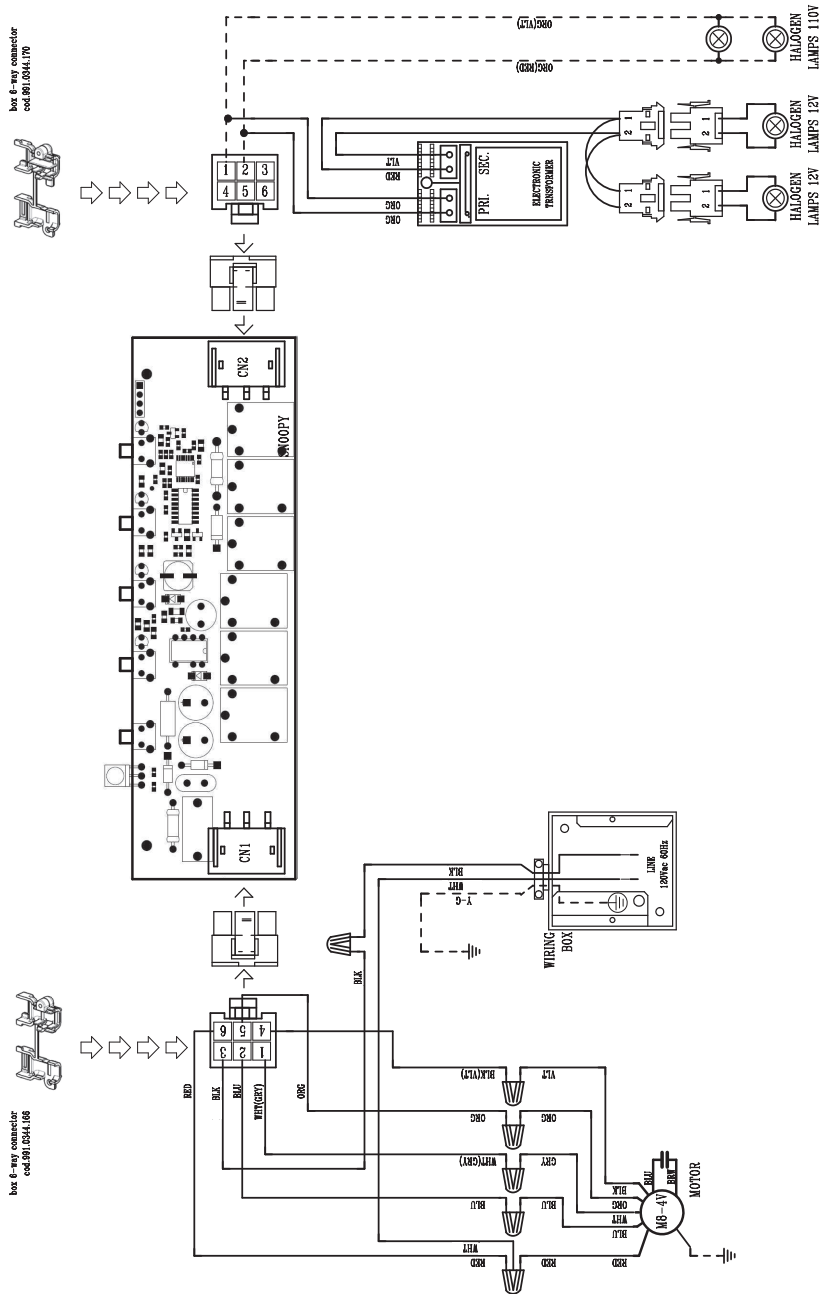
### Remplacement des ampoules

#### Halogènes 35 W. Ampoules de type GU10

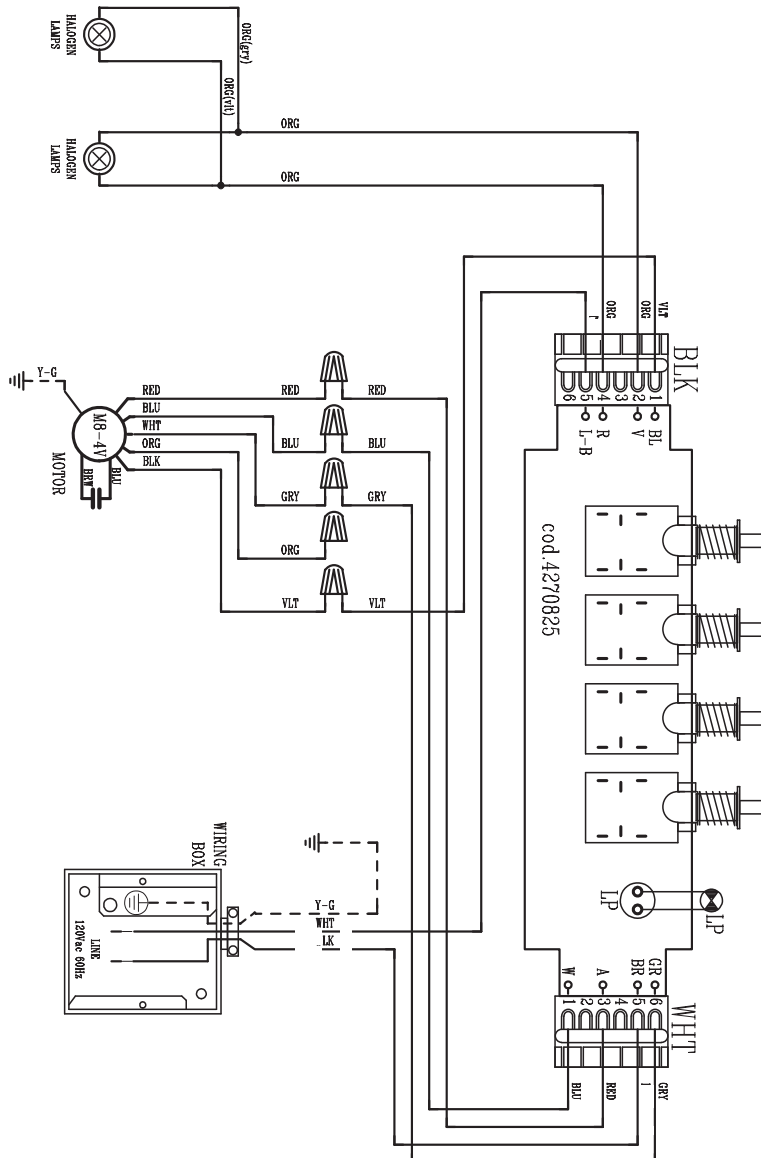
- Retirez l'ampoule (consultez l'illustration).
- Remplacez l'ampoule avec une autre du même type, en vous assurant d'insérer correctement les deux connecteurs dans leur logement, puis tournez pour la verrouiller en place.



## Schéma de câblage LEVT30SS400-B LEVT36SS400-B



**Schéma de câblage**  
**LEVA24SS300-B LEVA24WH300-B LEVA24BK300-B**  
**LEVA30SS300-B LEVA30WH300-B LEVA30BK300-B**  
**LEVA36SS300-B LEVA36WH300-B LEVA30BK300-B**





## GARANTIE LIMITÉE ET SERVICE FABER

Tous les produits Faber font l'objet d'une garantie contre les défauts de matériel et de main-d'œuvre, accordée à l'acheteur original pour une période d'un (1) an à compter de la date d'achat initiale (preuve d'achat requise). Cette garantie couvre les frais de main-d'œuvre et les pièces de rechange. À sa discrétion, Faber peut réparer ou remplacer le produit ou les composants nécessaires à remettre le produit en bon état de marche. Pour bénéficier de services prévus par la garantie, veuillez communiquer avec le détaillant auprès duquel vous avez acheté la hotte de cuisine, ou encore avec le distributeur Faber de votre région. Si vous n'êtes pas en mesure de localiser un distributeur Faber dans votre région, veuillez communiquer avec nous au 508-358-5353 pour connaître le nom d'un distributeur à proximité.

### Les éléments suivants ne sont pas visés par la garantie Faber :

1. Les appels au service de réparation visant à corriger l'installation de la hotte de cuisine, à recevoir des instructions sur l'utilisation de la hotte de cuisine, le remplacement ou la réparation des fusibles du domicile ou la correction des câblages ou de la plomberie du domicile.
2. Les appels au service de réparation visant à réparer ou remplacer les ampoules électriques de hotte, les fusibles ou les filtres. Ces pièces consommables ne sont pas couvertes par la garantie.
3. Les réparations si votre hotte de cuisine est employée à des fins autres que celles prévues, soit l'utilisation résidentielle normale pour une famille.
4. Les dommages découlant d'un accident, d'une modification, de l'utilisation incorrecte ou abusive, d'un incendie, d'une inondation, d'un cas de force majeure, d'une installation inadéquate, d'une installation non conforme aux codes en matière d'électricité ou de plomberie ou à la documentation fournie par Faber, ou encore d'une utilisation du produit non approuvée par Faber.
5. Les frais de main-d'œuvre ou de remplacement des pièces pour les appareils utilisés à l'extérieur des États-Unis ou du Canada, y compris toutes les hottes de cuisine Faber non-UL ou C-UL homologuées.
6. Les réparations à la hotte découlant de modifications non autorisées apportées à la hotte de cuisine.
7. Les frais encourus pour les déplacements et le transport de produits en région éloignée et les frais de cueillette et livraison. La réparation des hottes de cuisine Faber doit être réalisée à domicile.

LA PRÉSENTE GARANTIE NE PRÉVOIT AUCUNE FORME DE DÉDOMMAGEMENT EN CAS DE DOMMAGES ACCESSOIRES OU CONSÉCUTIFS, Y COMPRIS, SANS TOUTEFOIS S'Y LIMITER, LES DOMMAGES DIRECTS, INDIRECTS, ACCESSOIRES, PARTICULIERS OU CONSÉCUTIFS, LES LÉSIONS CORPORELLES/MORTELLES OU LA PERTE DE PROFITS. LA GARANTIE OFFERTE PAR FABER EST LIMITÉE AUX CONDITIONS ÉNONCÉES CI-DESSUS ET À LA PÉRIODE DE GARANTIE INDIQUÉE DANS LES PRÉSENTES ET EST EXCLUSIVE. SAUF DISPOSITIONS EXPRESSES CONTRAIRES DANS LE PRÉSENT ACCORD, FABER DÉCLINE TOUTE CONDITION, REPRÉSENTATION OU GARANTIE EXPLICITE OU IMPLICITE, Y COMPRIS, SANS TOUTEFOIS S'Y LIMITER, TOUTE GARANTIE IMPLICITE DE QUALITÉ MARCHANDE OU D'ADAPTATION À UN USAGE PARTICULIER.

Les droits qui vous sont conférés en vertu de la présente garantie peuvent varier d'une province ou d'un État à l'autre.

N° de modèle : \_\_\_\_\_ N° de série : \_\_\_\_\_

4 janvier 2016

CE

991.0379.950\_03 - 160115