

Dolly Truck

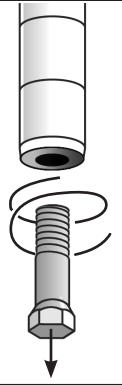
ASSEMBLY INSTRUCTIONS

CAUTION

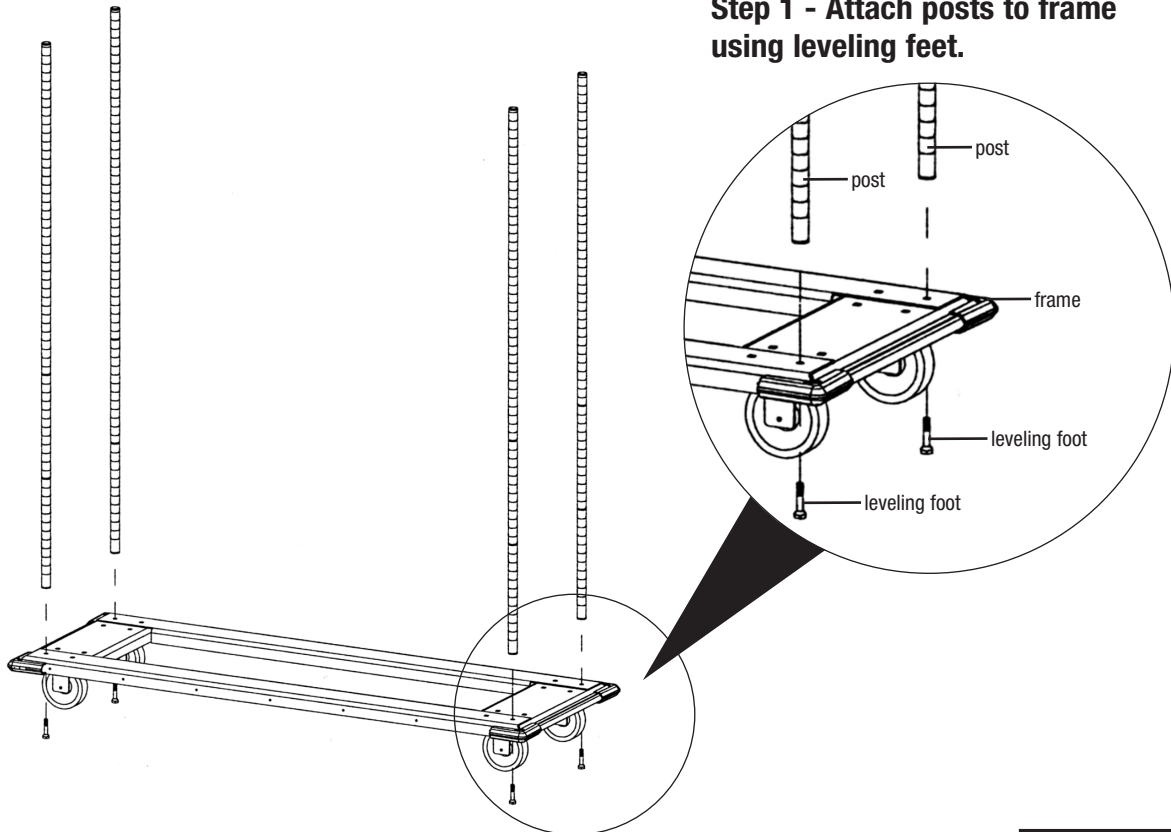
INSPECT CONTENTS IMMEDIATELY AND FILE CLAIM WITH DELIVERING CARRIER FOR ANY DAMAGE. **SAVE YOUR BOX AND ALL PACKING MATERIALS.** YOU ARE RESPONSIBLE FOR DAMAGE TO YOUR UNIT IF RETURNED IMPROPERLY PACKED.

Before assembly:

Unscrew the leveling foot from each post.



Step 1 - Attach posts to frame using leveling feet.



(continued on back page) 

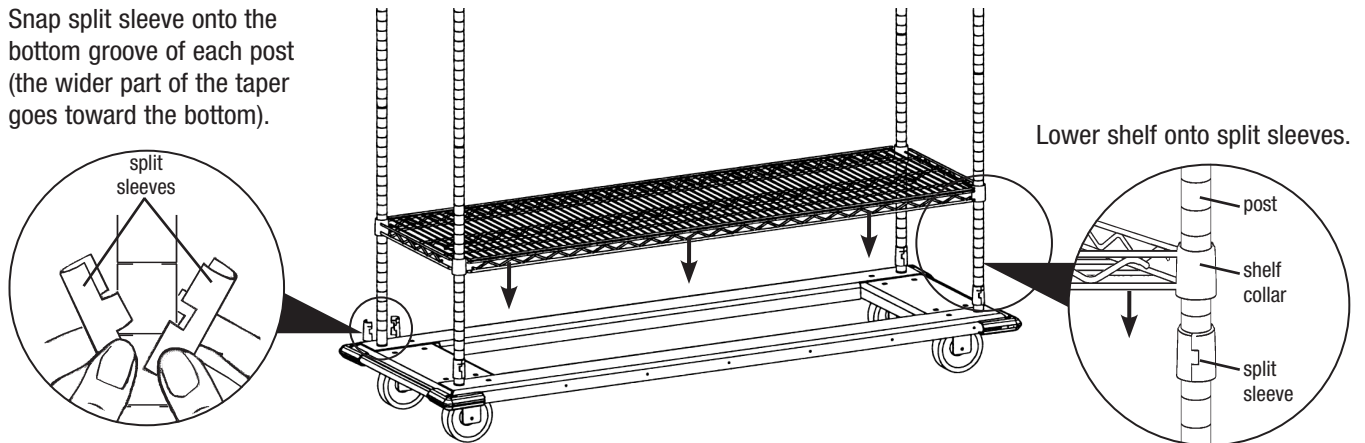
EG9988 Revised 03/24

Dolly Truck

ASSEMBLY INSTRUCTIONS

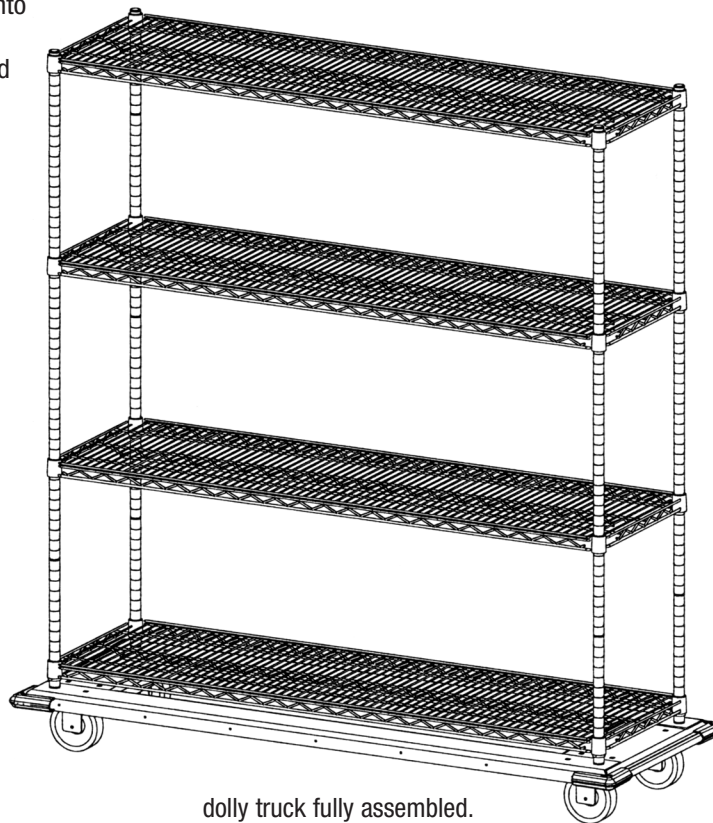
Step 2 - Attach bottom shelf.

Snap split sleeve onto the bottom groove of each post (the wider part of the taper goes toward the bottom).



Repeat Step 2, attaching each additional shelf at desired height, working from bottom to top, until all shelves are attached.

For each shelf, snap split sleeve onto each post at the same height (the wider part of the taper goes toward the bottom).



dolly truck fully assembled.

(End)

EAGLE
GROUP
Profit from the Eagle Advantage®

• 100 Industrial Boulevard, Clayton, Delaware 19938-8903 U.S.A.
• Phone: 302/653-3000 • 800/441-8440 • Fax: 302/653-2065
• www.eaglegrp.com • www.eaglemhc.com

Eagle Foodservice Equipment, Eagle MHC, and SpecFAB® are divisions of Eagle Group. ©2024 by the Eagle Group