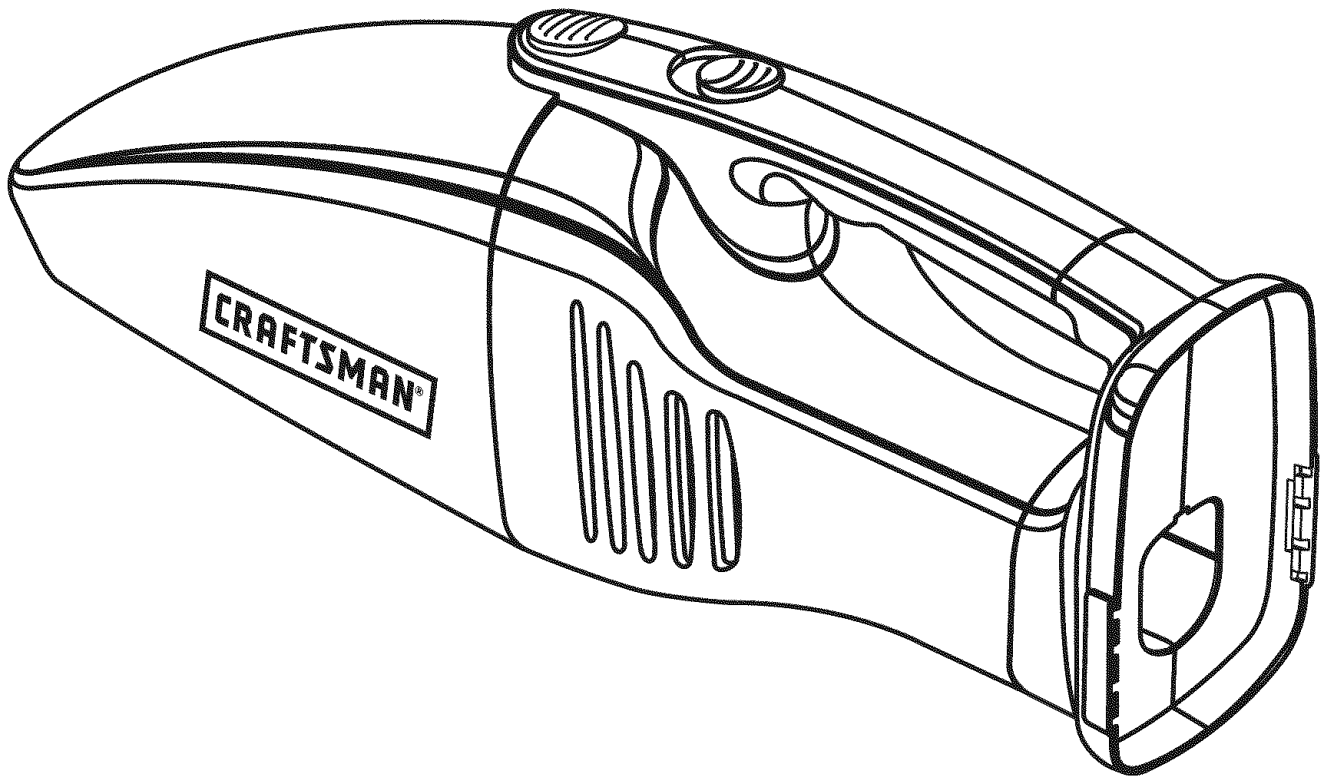


OPERATOR'S MANUAL



19.2 VOLT CORDLESS DRY HAND VAC

Model No.
315.115710



WARNING: To reduce the risk of injury, the user must read and understand the operator's manual before using this product.

**BATTERIES AND CHARGERS
SOLD SEPARATELY**

This hand vac is intended for household use only.

Customer Help Line: 1-800-932-3188

Sears, Roebuck and Co., 3333 Beverly Rd., Hoffman Estates, IL 60179 USA
Visit the Craftsman web page: www.sears.com/craftsman

983000-707
5-05

Save this manual for future reference



TABLE OF CONTENTS

■ Warranty	2
■ Introduction	2
■ Important Safety Instructions	3-5
■ Symbols.....	6-7
■ Features.....	8
■ Assembly.....	9
■ Operation.....	9-11
■ Maintenance.....	12-13
■ Exploded View and Parts List.....	13
■ Parts Ordering/Service	Back Page

WARRANTY

ONE YEAR FULL WARRANTY ON CRAFTSMAN APPLIANCE

If this Craftsman appliance fails to give complete satisfaction within one year from date of purchase, **RETURN IT TO THE NEAREST SEARS STORE IN THE UNITED STATES**, and Sears will replace it, free of charge.

If this Craftsman appliance is used for rental purposes, this warranty applies for only 90 days from the date of purchase.

This warranty gives you specific legal rights, and you may also have other rights which vary from state to state.

Sears, Roebuck and Co., Dept. 817 WA, Hoffman Estates, IL 60179

INTRODUCTION

This product has many features for making its use more pleasant and enjoyable. Safety, performance, and dependability have been given top priority in the design of this product making it easy to maintain and operate.

IMPORTANT SAFETY INSTRUCTIONS

SAVE THESE INSTRUCTIONS

When using an electrical appliance, basic precautions should always be followed, including the following:

⚠ WARNING! **READ AND UNDERSTAND ALL INSTRUCTIONS.** Failure to follow all instructions listed below, may result in electric shock, fire and/or serious personal injury.

READ ALL INSTRUCTIONS BEFORE USING THIS APPLIANCE

⚠ WARNING: To reduce the risk of electric shock **DO NOT** expose to rain. Store indoors.

- **Dress properly. Do not wear loose clothing or jewelry. Contain long hair. Keep your hair and clothing, away from moving parts.** Loose clothes, jewelry, or long hair can be caught in internal moving parts.
- **Do not overreach. Keep proper footing and balance at all times.** Proper footing and balance enables better control of the hand vac in unexpected situations. Do not use on a ladder or unstable support.
- **Use safety equipment.** Dust mask must be used for appropriate conditions.
- **Do not** allow children to operate hand vac or play with hand vac as a toy. Close attention is necessary when used by or near children.
- Use this hand vac **ONLY** for its intended use as described in this manual. Use only the attachments recommended in this manual.
- If hand vac is not working properly, has been dropped, damaged, left outdoors, or dropped into water, return to your nearest service center.
- **Do not** handle charger plug or hand vac with wet hands.
- **Do not** put any objects in ventilation openings. Do not use with any opening blocked. Keep openings free of dust, lint, hair, and anything that may reduce air flow.
- **NEVER** vacuum materials such as hot coals, cigarette butts, matches, burning or smoking ashes, etc.
- **DO NOT** use to pick up flammable or combustible liquids, such as gasoline, or use in areas where they may be present.
- **Do not** use without dust bowl or filter in place.
- **Turn off all controls before** unplugging from or plugging into an electrical outlet for charging.
- Use extra care when using on stairs.
- **Do not** use to pick up hard objects such as nails, screws, coins, etc. Damage or injury could result.
- **Do not** incinerate this appliance even if it is severely damaged. The batteries can explode in a fire.
- Hand vac does not have to be plugged into an electrical outlet, therefore it is always in operating condition. Be aware of possible hazards when using the hand vac or when changing accessories.
- **Remove battery when the vacuum is not in use and before servicing.**
- **Use only the charger recommended for your hand vac.** Do not substitute any other charger. Use of another charger could cause batteries to explode causing possible serious injury.
- **Use battery only with charger listed.**

MODEL	BATTERY PACK	CHARGER
315.115710	130279003	Model No. 1425301
	130279005	(Item No. 911041)
	(Item No. 911375)	Model No. 315.115730
		(Item No. 140301003)
- **Do not place hand vac or batteries near fire or heat.** They may explode.
- The hand vac should be charged in a location where the temperature is more than 50°F but less than 100°F.
- Under extreme usage or temperature conditions, battery leakage may occur. If liquid comes in contact with skin, wash at least 10 minutes then seek immediate medical attention.
- **Batteries vent hydrogen gas and can explode in the presence of a source of ignition, such as a pilot light.** To reduce the risk of serious personal injury, never use any cordless product in the presence of an open flame. An exploded battery can propel debris and chemicals. If exposed, flush with water immediately.
- **Protect your lungs. Wear a face or dust mask if the operation is dusty.** Following this rule will reduce the risk of serious personal injury.
- **Save these instructions. Refer to them frequently and use them to instruct others who may use this hand vac. If you loan someone this hand vac, loan them these instructions also.**

IMPORTANT SAFETY INSTRUCTIONS (CONT.)

BATTERY PACK REMOVAL AND PREPARATION FOR RECYCLING



To preserve natural resources, please recycle or dispose of batteries properly.

This product contains nickel-cadmium batteries. Local, state or federal laws may prohibit disposal of nickel-cadmium batteries in ordinary trash.

Consult your local waste authority for information regarding available recycling and/or disposal options.

WARNING: Upon removal, cover the battery pack's terminals with heavy-duty adhesive tape. Do not attempt to destroy or disassemble battery pack or remove any of its components. Nickel-cadmium batteries must be recycled or disposed of properly. Also, never touch both terminals with metal objects and/or body parts as short circuit may result. Keep away from children. Failure to comply with these warnings could result in fire and/or serious injury.

WARNING! READ AND UNDERSTAND ALL INSTRUCTIONS. Failure to follow all instructions listed below, may result in electric shock, fire and/or serious personal injury.

■ **Before using battery charger,** read all instructions and cautionary markings in this manual, on battery charger, battery, and product using battery to prevent misuse of the products and possible injury or damage.

CAUTION: To reduce the risk of electric shock or damage to the charger and battery, charge only nickel-cadmium rechargeable batteries as specifically designated on your charger. Other types of batteries may burst, causing personal injury or damage.

■ **Do not use charger outdoors or expose to wet or damp conditions.** Water entering charger will increase the risk of electric shock.

■ **Use of an attachment not recommended or sold by the battery charger manufacturer may result in a risk of fire, electric shock, or injury to persons.** Following this rule will reduce the risk of electric shock, fire, or serious personal injury.

■ **Do not abuse cord or charger.** Never use the cord to carry the charger. Do not pull the charger cord rather than the plug when disconnecting from receptacle. Damage to the cord or charger could occur and create an electric shock hazard. Replace damaged cords immediately.

■ **Make sure cord is located so that it will not be stepped on, tripped over, come in contact with sharp edges or moving parts or otherwise subjected to damage or stress.** This will reduce the risk of accidental falls, which could cause injury, and damage to the cord, which could result in electric shock.

■ **Keep cord and charger from heat to prevent damage to housing or internal parts.**

■ **Do not let gasoline, oils, petroleum-based products, etc. come in contact with plastic parts.** They contain chemicals that can damage, weaken, or destroy plastic.

■ **An extension cord should not be used unless absolutely necessary.** Use of improper extension cord

could result in a risk of fire and electric shock. If extension cord must be used, make sure:

- That pins on plug of extension cord are the same number, size and shape as those of plug on charger.
- That extension cord is properly wired and in good electrical condition; and
- That wire size is large enough for AC ampere rating of charger as specified below:


Cord Length (Feet)	25'	50'	100'
Cord Size (AWG)	16	16	16

NOTE: AWG = American Wire Gauge

- **Do not operate charger with a damaged cord or plug,** which could cause shorting and electric shock. If damaged, have the charger replaced by an authorized serviceman.
- **Do not operate charger if it has received a sharp blow, been dropped, or otherwise damaged in any way.** Take it to an authorized serviceman for electrical check to determine if the charger is in good working order.
- **Do not disassemble charger.** Take it to an authorized serviceman when service or repair is required. Incorrect reassembly may result in a risk of electric shock or fire.
- **Unplug charger from outlet before attempting any maintenance or cleaning to reduce the risk of electric shock.**
- **Disconnect charger from the power supply when not in use.** This will reduce the risk of electric shock or damage to the charger if metal items should fall into the opening. It also will help prevent damage to the charger during a power surge.
- **Risk of electric shock.** Do not touch uninsulated portion of output connector or uninsulated battery terminal.
- **Save these instructions.** Refer to them frequently and use them to instruct others who may use this hand vac. If you loan someone this hand vac, loan them these instructions also to prevent misuse of the product and possible injury.

IMPORTANT SAFETY INSTRUCTIONS (CONT.)

- **Check for misalignment or binding of moving parts, breakage of parts, and any other condition that may affect the hand vac's operation. If damaged, have the hand vac serviced before using.** Many accidents are caused by poorly maintained hand vacs.
 - **Use only accessories that are recommended by the manufacturer for your model.** Accessories that may be suitable for one hand vac may create a risk of injury when used on another hand vac.
 - **Hand vac service must be performed only by qualified repair personnel.** Service or maintenance performed by unqualified personnel could result in a risk of injury.
 - **When servicing a hand vac, use only identical replacement parts. Follow instructions in the Maintenance section of this manual.** Use of unauthorized parts or failure to follow Maintenance Instructions may create a risk of electric shock or injury.
-

 **WARNING:** Some dust created by power sanding, sawing, grinding, drilling, and other construction activities contains chemicals known to cause cancer, birth defects or other reproductive harm. Some examples of these chemicals are:











- lead from lead-based paints,
- crystalline silica from bricks and cement and other masonry products, and
- arsenic and chromium from chemically-treated lumber.

Your risk from these exposures varies, depending on how often you do this type of work. To reduce your exposure to these chemicals: work in a well ventilated area, and work with approved safety equipment, such as those dust masks that are specially designed to filter out microscopic particles.

SAVE THESE INSTRUCTIONS




SYMBOLS

Some of the following symbols may be used on this tool. Please study them and learn their meaning. Proper interpretation of these symbols will allow you to operate the tool better and safer.

SYMBOL	NAME	DESIGNATION/EXPLANATION
V	Volts	Voltage
A	Amperes	Current
Hz	Hertz	Frequency (cycles per second)
W	Watt	Power
min	Minutes	Time
~	Alternating Current	Type of current
==	Direct Current	Type or a characteristic of current
n_0	No Load Speed	Rotational speed, at no load
	Class II Construction	Double-insulated construction
.../min	Per Minute	Revolutions, strokes, surface speed, orbits etc., per minute
	Wet Conditions Alert	Do not expose to rain or use in damp locations.
	Read The Operator's Manual	To reduce the risk of injury, user must read and understand operator's manual before using this product.
	Eye Protection	Always wear safety goggles or safety glasses with side shields, or a full face shield when operating this product.
	Safety Alert	Precautions that involve your safety.
	No Hands Symbol	Failure to keep your hands away from the blade will result in serious personal injury.
	No Hands Symbol	Failure to keep your hands away from the blade will result in serious personal injury.
	No Hands Symbol	Failure to keep your hands away from the blade will result in serious personal injury.
	No Hands Symbol	Failure to keep your hands away from the blade will result in serious personal injury.
	Hot Surface	To reduce the risk of injury or damage, avoid contact with any hot surface.


SYMBOLS

The following signal words and meanings are intended to explain the levels of risk associated with this product.

SYMBOL	SIGNAL	MEANING
	DANGER:	Indicates an imminently hazardous situation, which, if not avoided, will result in death or serious injury.
	WARNING:	Indicates a potentially hazardous situation, which, if not avoided, could result in death or serious injury.
	CAUTION:	Indicates a potentially hazardous situation, which, if not avoided, may result in minor or moderate injury.
	CAUTION:	(Without Safety Alert Symbol) Indicates a situation that may result in property damage.

SERVICE

Servicing requires extreme care and knowledge and should be performed only by a qualified service technician. For service we suggest you return the product to your nearest **AUTHORIZED SERVICE CENTER** for repair. When servicing, use only identical replacement parts.

 **WARNING:** To avoid serious personal injury, do not attempt to use this product until you read thoroughly and understand completely the operator's manual. Save this operator's manual and review frequently for continuing safe operation and instructing others who may use this product.

FEATURES

PRODUCT SPECIFICATIONS

Motor.....	19.2 V DC
Charger Input	120 V, 60 Hz, AC only
Charge Rate	1 hour

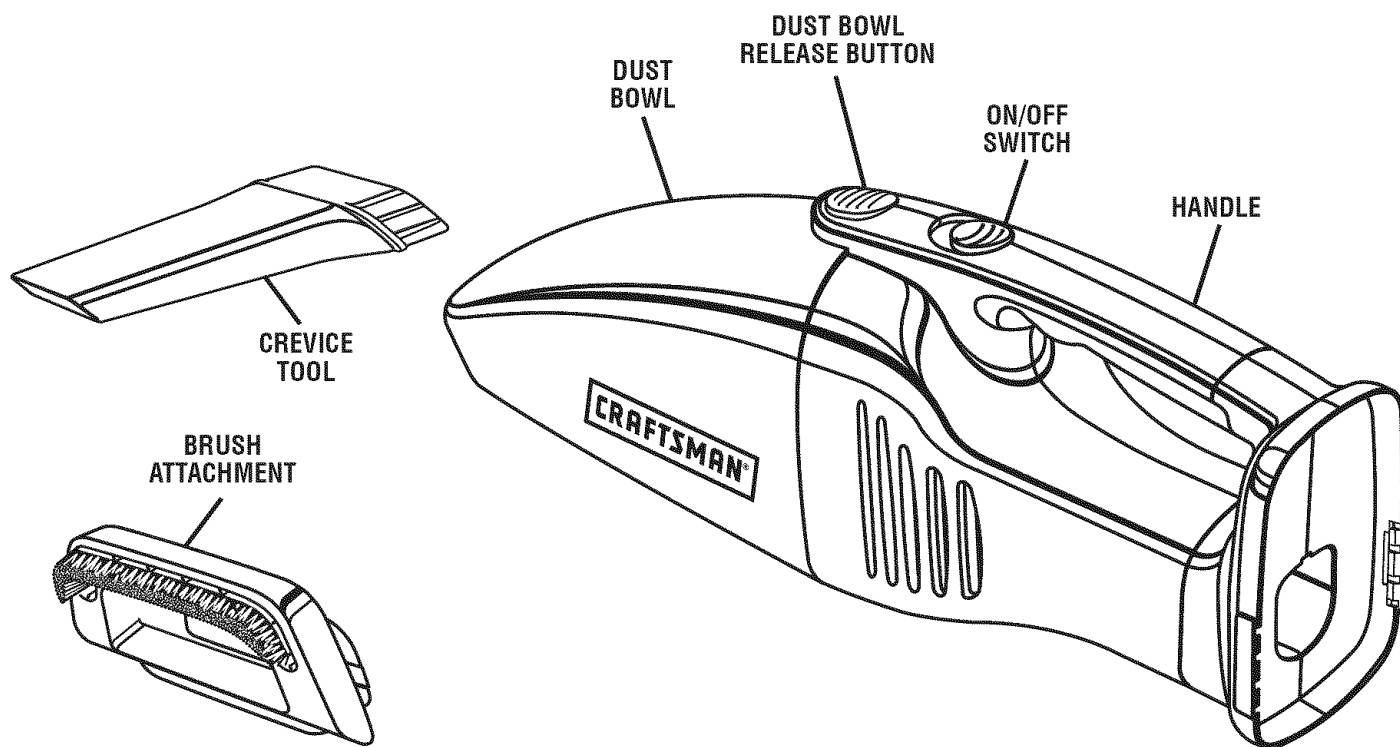


Fig. 1

KNOW YOUR HAND VAC

See Figure 1.

Before attempting to use this product, familiarize yourself with all operating features and safety rules.

ON/OFF SWITCH

Your hand vac is equipped with a conveniently located ON/OFF switch on top of the handle.

CREVICE TOOL

The crevice tool allows you to vacuum harder-to-reach areas.

BRUSH ATTACHMENT

The brush attachment is used for vacuuming drapes and upholstery and other fabric surfaces.

DUST BOWL

The dust bowl detaches from the vacuum unit for quick and easy emptying of debris.

ASSEMBLY


UNPACKING


This product has been shipped completely assembled.


- Carefully remove the hand vac and any accessories from the box. Make sure that all items listed in the packing list are included.
- Inspect the hand vac carefully to make sure no breakage or damage occurred during shipping.
- Do not discard the packing material until you have carefully inspected and satisfactorily operated the hand vac.
- If any parts are damaged or missing, please call 1-800-932-3188 for assistance.

PACKING LIST


19.2 V Cordless Hand Vac
Crevice Tool
Brush Attachment
Operator's Manual


 **WARNING:** If any parts are missing do not operate this hand vac until the missing parts are replaced. Failure to do so could result in possible serious personal injury.


 **WARNING:** Do not attempt to modify this hand vac or create accessories not recommended for use with this hand vac. Any such alteration or modification is misuse and could result in a hazardous condition leading to possible serious personal injury.

 **WARNING:** To prevent accidental starting that could cause serious personal injury, always remove the battery pack from the hand vac when assembling parts.

OPERATION

 **WARNING:** Do not allow familiarity with tools to make you careless. Remember that a careless fraction of a second is sufficient to inflict serious injury.

 **WARNING:** Always wear safety goggles or safety glasses with side shields when operating tools. Failure to do so could result in objects being thrown into your eyes, resulting in possible serious injury.

 **WARNING:** Do not use any attachments or accessories not recommended by the manufacturer of this hand vac. The use of attachments or accessories not recommended can result in serious personal injury.

APPLICATIONS

You may use this hand vac for the following purposes:

- Light-duty vacuuming of dry surfaces.

CAUTION: If at any point during the charging process none of the LEDs are lit, remove the battery pack from the charger to avoid damaging the product. **DO NOT** insert another battery. Return the charger and battery to your nearest service center for service or replacement.

LED FUNCTIONS OF CHARGER

LED WILL BE ON TO INDICATE STATUS OF CHARGER AND BATTERY PACK:

- Red LED on = Fast charging mode.
- Green LED on = Fully charged and in maintenance charge mode.
- Green LED on = When battery pack is inserted into charger, indicates hot battery pack or that battery pack is out of normal temperature range.
- Yellow and Green LEDs on = Deeply discharged or defective battery pack.
- No LED on = Defective charger or battery pack.

CHARGING THE BATTERY PACK

Battery packs for this hand vac are shipped in a low charge condition to prevent possible problems. Therefore, you should charge it until the green LED on the front of the charger comes on.

NOTE: Batteries will not reach full charge the first time they are charged. Allow several cycles (operation followed by recharging) for them to become fully charged.

OPERATION

CHARGING A COOL BATTERY PACK

See Figure 2.

If battery pack is below normal temperature range, the green LED on charger will come on. Allow battery pack to reach normal temperature, then the red LED will come on.

NOTE: If the charger does not charge the battery pack under normal circumstances, return both the battery pack and charger to your nearest Sears Repair Center for electrical check.

- Charge the battery pack only with the charger provided.
- Make sure the power supply is normal household voltage, **120 volts, 60 Hz, AC only.**
- Connect the charger to the power supply.
- Place the battery pack in the charger aligning raised rib on the battery pack with the groove in the charger.
- Press down on the battery pack to be sure contacts on the battery pack engage properly with contacts in the charger.
- Normally the red LED on charger will come on. This indicates the charger is in fast charging mode.
- Red LED should remain on for approximately 1 hour then the green LED will come on. Green LED on indicates battery pack is fully charged and charger is in maintenance charge mode.

NOTE: The green LED will remain on until the battery pack is removed from the charger or charger is disconnected from the power supply.

- If both yellow and green LEDs come on, this indicates a deeply discharged or defective battery pack. Allow the battery pack to remain in the charger for 15 to 30 minutes. When the battery pack reaches normal voltage range, the red LED should come on. If the red LED does not come on after 30 minutes, this may indicate a defective battery pack and should be replaced.
- After normal usage, a minimum of 1 hour of charging time is required to fully recharge battery pack.
- The battery pack will become slightly warm to the touch while charging. This is normal and does not indicate a problem.
- Do not place the charger and battery pack in an area of extreme heat or cold. They will work best at normal room temperature.

NOTE: The charger and battery pack should be placed in a location where the temperature is more than 50°F but less than 100°F.

- When batteries become fully charged, unplug the charger from power supply and remove the battery pack.

CHARGING A HOT BATTERY PACK

When using the hand vac continuously, the batteries in the battery pack will become hot. You should let a hot battery pack cool down for approximately 30 minutes before attempting to recharge. When the battery pack becomes discharged and is hot, this will cause the green LED to come on instead of the red LED. After 30 minutes, reinsert the battery pack in the charger. If the green LED continues to remain on, return battery pack to your nearest Sears Repair Center for checking or replacing.

NOTE: This situation only occurs when continuous use of the hand vac causes the batteries to become hot. It does not occur under normal circumstances. Refer to "Charging a Cool Battery Pack" for normal recharging of batteries. If the charger does not charge your battery pack under normal circumstances, return both the battery pack and charger to your nearest Sears Repair Center for electrical check.

TO INSTALL BATTERY PACK

See Figure 3.

- Place the battery pack in the hand vac. Align the raised rib on the battery pack with groove in hand vac's battery port.
- Make sure the latches on each side of the battery pack snap in place and that the battery pack is secured in the hand vac before beginning operation.

CAUTION: When placing battery pack in the hand vac, be sure raised rib on battery pack aligns with the bottom of the hand vac and latches into place properly. Improper installation of the battery pack can cause damage to internal components.

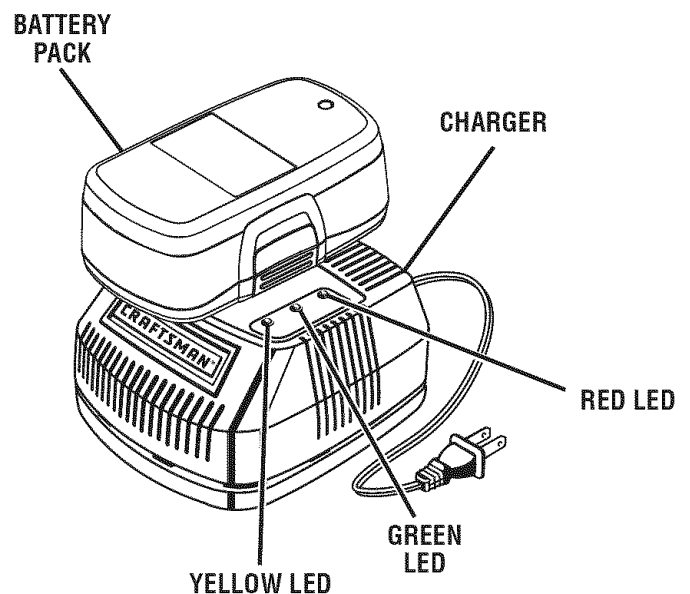


Fig. 2

OPERATION

TO REMOVE BATTERY PACK

See Figure 3.

- Locate the latches on the side of the battery pack and depress both sides to release the battery pack from the hand vac.

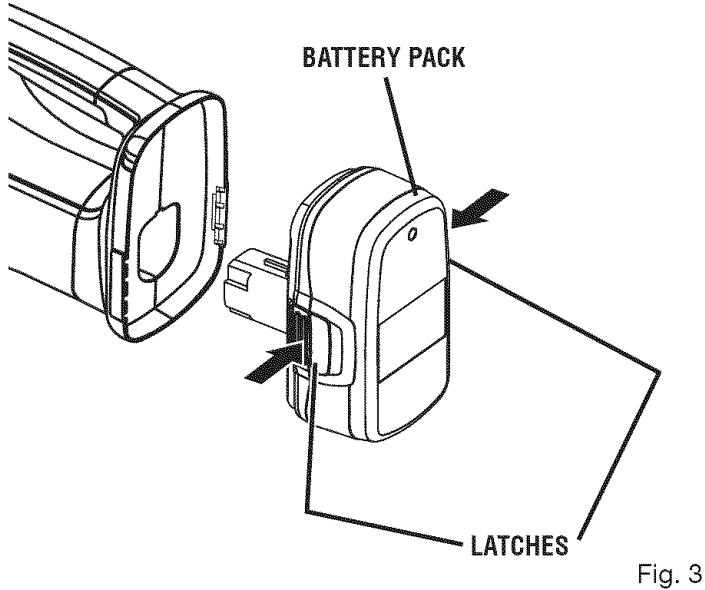


Fig. 3

⚠ WARNING: Battery tools are always in operating condition. Therefore, switch should always be locked when not in use or carrying at your side.

ON/OFF SWITCH

See Figure 4.

- To turn the vacuum on: Slide switch toward the front of the vacuum.
- To turn the vacuum off: Slide switch toward the back of the vacuum.

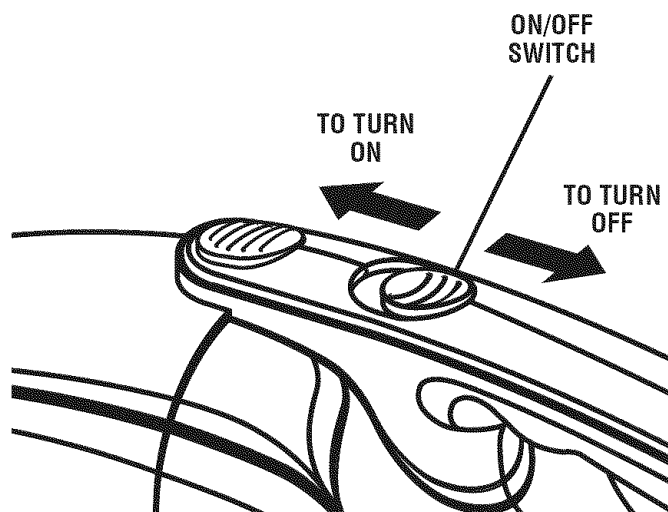


Fig. 4

ADDING ATTACHMENTS

See Figures 5 - 6.

The brush attachment and crevice tool can be easily snapped into place on the hand vac.

- Turn off the vacuum.
- Insert the attachment into the front end of the vacuum dust bowl, making sure the attachment is firmly snapped into place.

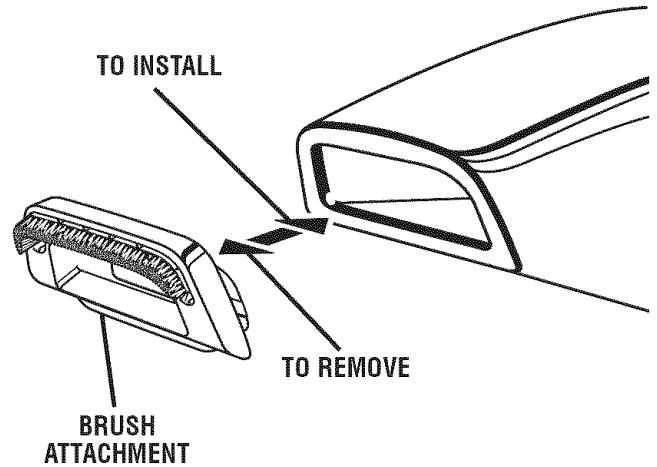


Fig. 5

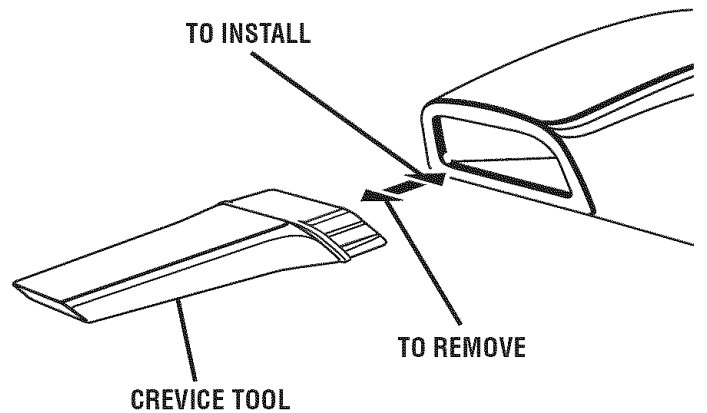


Fig. 6

MAINTENANCE

WARNING: When servicing, use only identical Craftsman replacement parts. Use of any other part may create a hazard or cause product damage.

WARNING: Always wear safety goggles or safety glasses with side shields when using compressed air to clean tools. If the operation is dusty, also wear a dust mask.

WARNING: To avoid serious personal injury, always remove the battery pack from the tool when cleaning or performing any maintenance.

GENERAL MAINTENANCE

Avoid using solvents when cleaning plastic parts. Most plastics are susceptible to damage from various types of commercial solvents and may be damaged by their use. Use clean cloths to remove dirt, dust, oil, grease, etc.

WARNING: Do not at any time let brake fluids, gasoline, petroleum-based products, penetrating oils, etc. come in contact with plastic parts. Chemicals can damage, weaken or destroy plastic which may result in serious personal injury.

Only the parts shown on the parts list are intended to be repaired or replaced by the customer. All other parts should be replaced at a Sears Service Center.

CLEANING THE HAND VAC

See Figures 7 - 9.

The dust bowl should be checked, emptied, and cleaned periodically to obtain maximum dust collection.

REMOVING THE DUST BOWL

See Figure 7.

- Remove the battery pack from the vacuum.
- Depress the release button located on top of the hand vac. Pull the dust bowl down and out to separate it from the motor housing.

PRESS RELEASE BUTTON

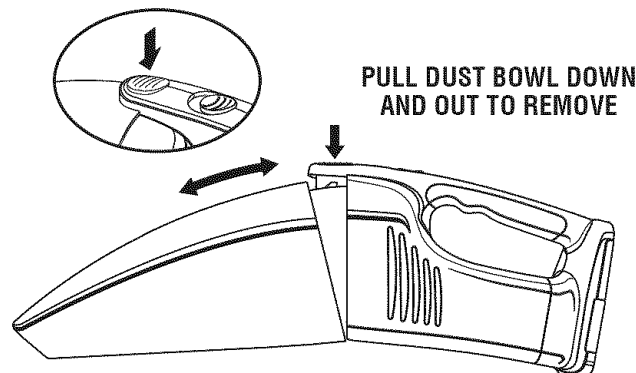


Fig. 7

REMOVING AND CLEANING THE FILTER

See Figure 8.

- Remove the battery pack from the vacuum.
- Remove the assembled filter rack and filter by pulling them out of the dust bowl.
- Shake or lightly brush any dust or dirt off the filter.
- Empty the filter, filter rack, and dust bowl; wash if necessary. Before reattaching to the hand vac, make sure all pieces are completely dry.

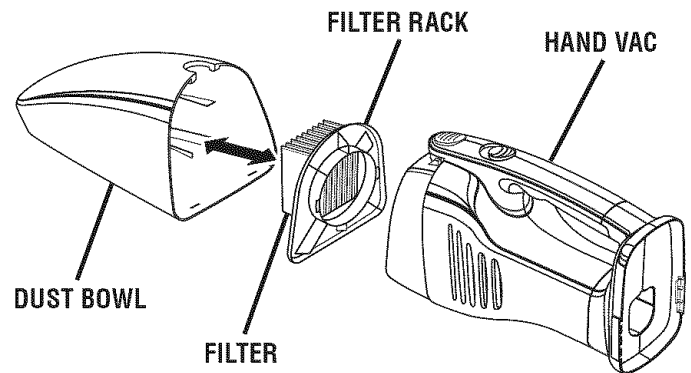


Fig. 8

REATTACHING THE DUST BOWL

See Figure 9.

- Position the dust bowl and motor housing as shown.
- Align slots on bottom of dust bowl with tabs on bottom of motor housing then snap the two sections together.

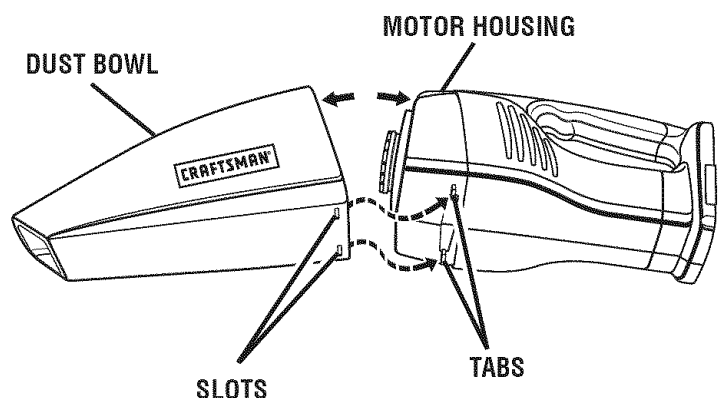


Fig. 9

MAINTENANCE

BATTERIES

The battery pack for this hand vac is equipped with nickel-cadmium rechargeable batteries. Length of service from each charging will depend on the type of work you are doing.

The batteries in this hand vac have been designed to provide maximum trouble-free life. However, like all batteries, they will eventually wear out. **Do not** disassemble battery pack and attempt to replace the batteries. Handling of these batteries, especially when wearing rings and jewelry, could result in a serious burn.

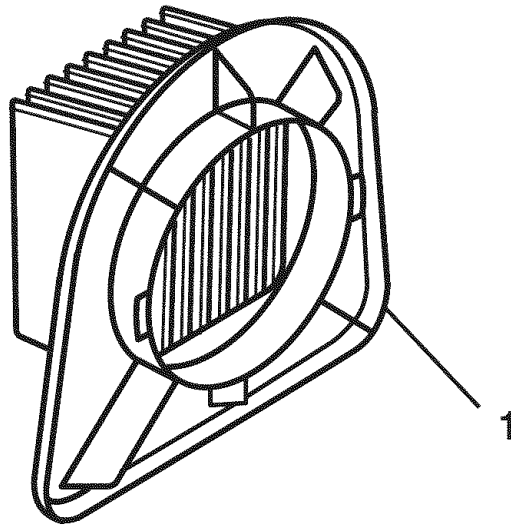
To obtain the longest possible battery life, we suggest the following:

- Remove the battery pack from the charger once it is fully charged and ready for use.
- For battery pack storage longer than 30 days:
- Store the battery pack where the temperature is below 80°F.
 - Store battery packs in a “discharged” condition.

CRAFTSMAN 19.2V CORDLESS DRY HAND VAC – MODEL NUMBER 315.115710

The model number will be found on a plate attached to the motor housing. Always mention the model number in all correspondence regarding the hand vac or when ordering repair parts.

SEE BACK PAGE FOR PARTS ORDERING INSTRUCTIONS



PARTS LIST

Key No.	Part Number	Description	Qty.
1	3004015	Filter.....	1
	983000-707	Operator's Manual (not shown)	

Get it fixed, at your home or ours!

Your Home

For repair – **in your home** – of **all** major brand appliances, lawn and garden equipment, or heating and cooling systems, **no matter who made it, no matter who sold it!**

For the replacement parts, accessories and owner's manuals that you need to do-it-yourself.

For Sears professional installation of home appliances and items like garage door openers and water heaters.

1-800-4-MY-HOME® (1-800-469-4663)

Call anytime, day or night (U.S.A. and Canada)

www.sears.com www.sears.ca

Our Home

For repair of carry-in items like vacuums, lawn equipment, and electronics, call or go on-line for the location of your nearest **Sears Parts & Repair Center.**

1-800-488-1222

Call anytime, day or night (U.S.A. only)

www.sears.com

To purchase a protection agreement (U.S.A.) or maintenance agreement (Canada) on a product serviced by Sears:

1-800-827-6655 (U.S.A.)

1-800-361-6665 (Canada)

Para pedir servicio de reparación a domicilio, y para ordenar piezas:

1-888-SU-HOGARSM

(1-888-784-6427)

Au Canada pour service en français:

1-800-LE-FOYER^{MC}

(1-800-533-6937)

www.sears.ca



® Registered Trademark / ™ Trademark / SM Service Mark of Sears, Roebuck and Co.

© Marca Registrada / ™ Marca de Fábrica / SM Marca de Servicio de Sears, Roebuck and Co.

^{MC} Marque de commerce / ^{MD} Marque déposée de Sears, Roebuck and Co.

© Sears, Roebuck and Co.