



DEEBOT **X11** PRO OMNI

Instruction Manual

Instruction Manual.....	EN		P03
Manuel d'instructions.....	FR-CA		P19
Manual de instrucciones.....	ES-LA		P36



IMPORTANT SAFETY INSTRUCTIONS

IMPORTANT SAFETY INSTRUCTIONS

When using an electrical Appliance, basic precautions should always be followed, including the following:

READ ALL INSTRUCTIONS BEFORE USING THIS APPLIANCE SAVE THESE INSTRUCTIONS

1. Do not allow to be used as a toy. Close attention is necessary when used by or near children.
2. Clear the area to be cleaned. Remove power cords and small objects from the floor that could entangle the Appliance. Tuck rug fringe under the rug base, and lift items such as curtains and tablecloths off the floor.
3. If there is a drop off in the cleaning area due to a step or stairs, you should operate the Appliance to ensure that it can detect the step without falling over the edge. It may become necessary to place a physical barrier at the edge to keep the unit from falling. Make sure the physical barrier is not a trip hazard.
4. Only use as described in this manual. Only

use attachments recommended or sold by the manufacturer.

5. Do not handle plug or appliance with wet hands.
6. Non-rechargeable batteries are prohibited.
7. Do not use without Dust Bin and/or Filters in place.
8. Do not operate the vacuum in an area where there are lit candles or fragile objects on the floor to be cleaned.
9. Do not use and store in extremely hot or cold environments (below -5°C / 23°F or above 40°C / 104°F). Please charge the robot in temperature above 0°C / 32°F and below 40°C / 104°F .
10. Keep hair, loose clothing, fingers, and all parts of body away from any openings and moving parts.
11. Do not operate the Appliance in a room where an infant or child is sleeping.
12. For INDOOR use ONLY. Do not use the Appliance in outdoor, commercial or industrial environments. Do not use Appliance on wet surfaces or surfaces with standing water.
13. Do not allow the Appliance to pick up large objects like stones, large pieces of paper, or any item that may clog the Appliance.
14. Do not use to pick up flammable or combustible

- materials such as gasoline, printer, or copier toner, or use in areas where they may be present.
15. Do not pick up anything that is burning or smoking, such as cigarettes, matches, hot ashes, or anything that could cause a fire.
 16. Do not put any object into openings. Do not use with any opening blocked; keep free of dust, lint, hair, and anything that may reduce air flow.
 17. Take care not to damage the power cord. Do not pull on or carry the Appliance or Docking Station by the power cord, use the power cord as a handle, close a door on the power cord, or pull power cord around sharp edges or corners. Do not run Appliance and Docking Station over the power cord. Keep power cord away from hot surfaces. Do not unplug by pulling on cord. To unplug, grasp the plug, not the cord.
 18. If the power cord is damaged, it must be replaced by the manufacturer or its service agent in order to avoid a hazard.
 19. Do not use with a damaged power cord or plug. Do not use the Appliance or Docking Station if it is not working properly, has been dropped, damaged, left outdoors, or come in contact with water. It must be repaired by the manufacturer or its service agent in order to avoid a hazard.
 20. Turn OFF the power switch before cleaning or maintaining the Appliance. Turn off all controls before unplugging. Always turn off this appliance before connecting or disconnecting motorized nozzle.
 21. Turn OFF the Power Switch before removing the Dust Bin.
 22. Remove the Appliance from the Docking Station, and turn OFF the power switch to the Appliance before removing the battery for disposal of the Appliance.
 23. The battery must be removed and discarded according to local laws and regulations before disposal of the Appliance.
 24. Please dispose of used batteries according to local laws and regulations.
 25. Do not incinerate the Appliance even if it is severely damaged. The batteries can explode in a fire.
 26. When not using the Docking Station, unplug from outlet when not in use and before servicing.
 27. The Appliance must be used in accordance with the directions in this Instruction Manual. Ecovacs Home Service Robotics cannot be held liable or responsible for any damages or injuries caused by improper use.

28. Prevent unintentional starting. Ensure the switch is in the off position before connecting to battery pack, picking up or carrying the appliance.
29. When battery pack is not in use, keep it away from other metal objects, like paper clips, coins, keys, nails, screws, or other small metal objects, that can make a connection from one terminal to another. Shorting the battery terminals together may cause burns or a fire.
30. Under abusive conditions, liquid may be ejected from the battery; avoid contact. If contact accidentally occurs, flush with water. If liquid contacts eyes, additionally seek medical help. Liquid ejected from the battery may cause irritation or burns.
31. Do not use a battery pack or appliance that is damaged or modified. Damaged or modified batteries may exhibit unpredictable behavior resulting in fire, explosion, or risk of injury.
32. Do not expose a battery pack or appliance to fire or excessive temperature. Exposure to fire or temperature above 130°C may cause explosion. The temperature of 130°C can be replaced by the temperature of 265°F.
33. Follow all charging instructions and do not charge the battery pack or appliance outside of the temperature range specified in the instructions. Charging improperly or at temperatures outside of the specified range may damage the battery and increase the risk of fire.
34. Have servicing performed by a qualified repair person using only identical replacement parts. This will ensure that the safety of the product is maintained.
35. Do not modify or attempt to repair the appliance or the battery pack (as applicable) except as indicated in the instructions for use and care.
36. Place the cords from other appliances out of the area to be cleaned.
37. Do not operate the vacuum in a room that has lit candles on furniture that the vacuum may accidentally hit or bump into.
38. Do not allow children to sit on the vacuum.
39. Use only as described in this manual. Use only manufacturer's recommended attachments.
40. Recharge only with the charger specified by the manufacturer. A charger that is suitable for one type of battery pack may create a risk of fire when used with another battery pack.
41. Use appliances only with specifically designated battery packs. Use of any other battery packs may create a risk of injury and fire.

42. The robot contains batteries that are only replaceable by skilled persons. To replace the robot's battery, please contact Customer Service.
43. If the robot will not be used for a long time, fully charge the robot and power OFF for storage and unplug the Docking Station.
44. To Reduce The Risk Of Electric Shock – Do not use on wet surfaces. Do not expose to rain. Store indoors.
45. To Reduce The Risk Of Injury From Moving Parts – Unplug Before Servicing.
46. Risk Of Injury. Brush May Start Unexpectedly. Unplug Before Cleaning or Servicing.
47. To reduce the risk of injury, user must read the Instruction Manual.
48. To Reduce The Risk Of Electric Shock – Do not use outdoors or on wet surfaces.
49. Please make sure your power supply voltage matches the power voltage marked on the Docking Station.
50. Do not use the Docking Station if it is damaged.
51. The plug must be removed from the receptacle before cleaning or maintaining the Docking Station.
52. Power Switch: "I"=ON, "O"=OFF.
53. Connect to a properly grounded outlet only. See Grounding Instructions.

≡	Direct current
~	Alternating current

This Device Complies with DHHS Radiation Rules, 21CFR Chapter 1, Subchapter J.

Federal Communications Commission (FCC) Interference Statement

NOTE: This equipment has been tested and found to comply with the limits for a Class B digital device, pursuant to Part 15 of the FCC Rules.

These limits are designed to provide reasonable protection against harmful interference in a residential installation. This equipment generates, uses, and can radiate radio frequency energy and, if not installed and used in accordance with the instructions, may cause harmful interference to radio communications.

However, there is no guarantee that interference will not occur in a particular installation. If this equipment does cause harmful interference to radio or television reception, which can be determined by turning the equipment off and on, the user is encouraged to try to correct the interference by one or more of the following measures:

- Reorient or relocate the receiving antenna.

- Increase the separation between the equipment and receiver.
- Connect the equipment into an outlet on a circuit different from that to which the receiver is connected.
- Consult the dealer or an experienced radio/TV technician for help.

This device complies with Part 15 of the FCC Rules. Operation is subject to the following two conditions:

- (1) This device may not cause harmful interference, and
- (2) this device must accept any interference received, including interference that may cause undesired operation.

Caution: Changes or modifications to this unit not expressly approved by the party responsible for compliance could void the user's authority to operate the equipment.

This device contains licence-exempt transmitter(s)/ receiver(s) that comply with Innovation, Science and Economic Development Canada's licence-exempt RSS(s). Operation is subject to the following two conditions:

- (1) This device may not cause interference.
- (2) This device must accept any interference, including interference that may cause undesired operation of the device.

RF exposure warning


This equipment complies with FCC radiation exposure limits set forth for an uncontrolled environment.

This equipment must be installed and operated in accordance with provided instructions and the antenna(s) used for this transmitter must be installed to provide a separation distance of at least 20 cm from all persons and must not be collocated or operating in conjunction with any other antenna or transmitter.

MPE caution (for mobile device under Part 15.247device)

To satisfy FCC & IC RF exposure requirements, a separation distance of 20 cm or more should be maintained between the antenna of this device and persons during device operation.

To ensure compliance, operations at closer than this distance is not recommended.

To disable the Wi-Fi module on DEEBOT, follow these steps: power on the robot, then place it on the OMNI Station, ensuring that the Charging Contacts on DEEBOT and the Station are properly connected, and press and hold the  for 30 s until you hear beeps.

To enable the Wi-Fi module on DEEBOT, please restart the robot. Additionally, unplug and plug in the Station.

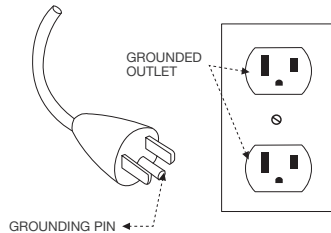
SAVE THESE INSTRUCTIONS

GROUNDING INSTRUCTIONS

This appliance must be grounded. If it should malfunction or breakdown, grounding provides a path of least resistance for electric current to reduce the risk of electric shock. This appliance is equipped with a cord having an equipment-grounding conductor and grounding plug. The plug must be inserted into an appropriate outlet that is properly installed and grounded in accordance with all local codes and ordinances.

WARNING – Improper connection of the equipment-grounding conductor can result in a risk of electric shock. Check with a qualified electrician or service person if you are in doubt as to whether the outlet is properly grounded. Do not modify the plug provided with the appliance – if it will not fit the outlet, have a proper outlet installed by a qualified electrician.

This appliance is for use on a nominal 120 V circuit and has a grounding attachment plug that looks like the plug illustrated as the following photo. Make sure that the appliance is connected to an outlet having the same configuration as the plug. No adaptor should be used with this appliance.



For INDOOR household use ONLY.

This device contains licence-exempt transmitter(s)/ receiver(s) that comply with Innovation, Science and Economic Development Canada's licence-exempt RSS(s). Operation is subject to the following two conditions:

- (1) This device may not cause interference.
- (2) This device must accept any interference, including interference that may cause undesired operation of the device.

To satisfy FCC&IC RF exposure requirements, a separation distance of 20 cm or more should be maintained between the antenna of this device and persons during device operation.

To ensure compliance, operations at closer than this distance is not recommended.

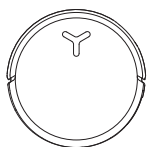
Device Update

Typically, some devices are updated bi-monthly, but not always so specific.

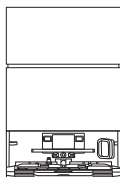
Some devices, especially those that went on sale more than three years ago, will only be updated if a critical vulnerability is found and fixed.

PACKAGE CONTENTS

1 Package Contents



DEEBOT



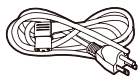
OMNI Station



Base



Instruction Manual



Power Cord



Corner Guards



ECOVACS DEEBOT Cleaning Solution



ECOVACS DEEBOT Heavy-duty Cleaning Solution

Note:

*A thoughtful pair of corner guards is included to enhance user safety and improve handling comfort. To install: Align the inner slot of the corner guard with the edge and press it into place. Compatible with all DEEBOT corner designs.

*Figures in this manual are for reference only and may differ from the appliance. Product design and specifications are subject to changes without notice.

2 Product Diagram

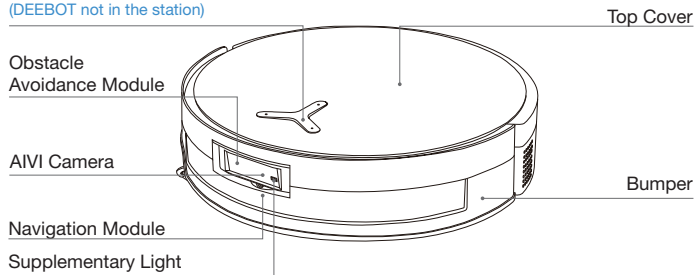
1. DEEBOT Front View

Buttons on DEEBOT:

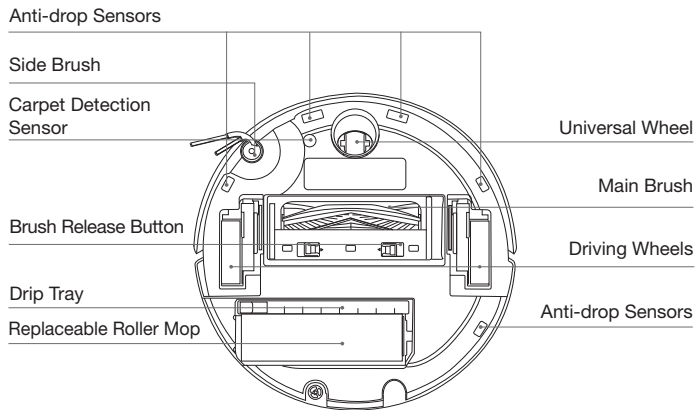
Press: Toggle start/Pause

Press for 3 s: Return to the station

Double Tap: Release/Retract the mop (DEEBOT not in the station)



2. DEEBOT Bottom View

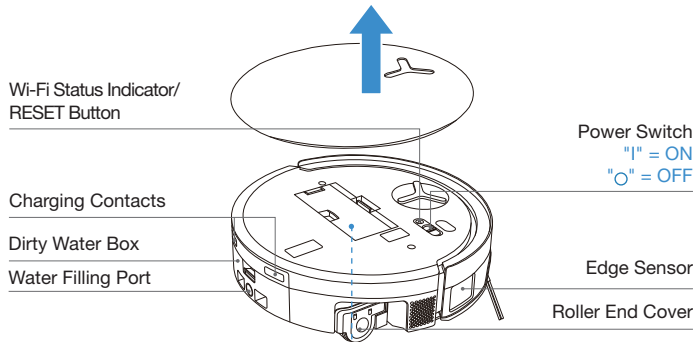


3. Inside DEEBOT (Under the Top Cover)

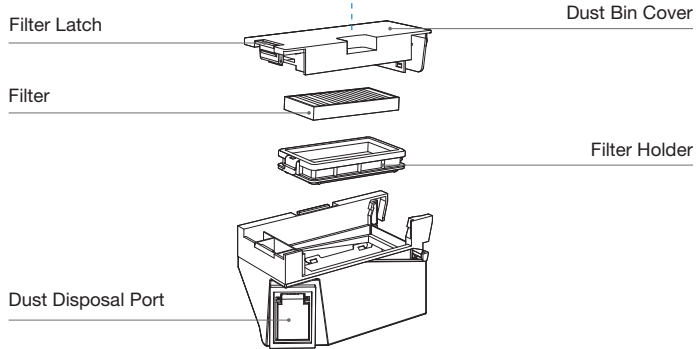
RESET Button

Network Setup: Press the RESET Button, and a voice prompt will be heard to connect DEEBOT to the App.

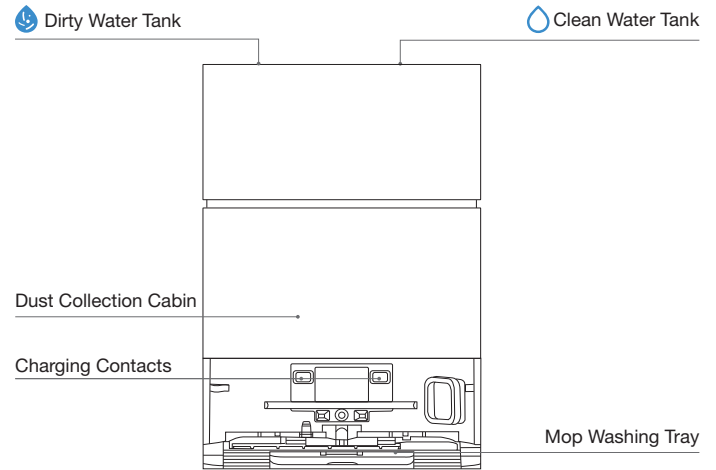
Restore default settings: Press and hold the RESET button for 5 seconds. After hearing the voice prompt, the startup music will play, and DEEBOT will be restored to its default settings. Exercise caution when using this function.



4. Dust Bin



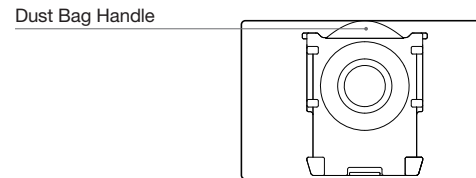
5. OMNI Station Front View



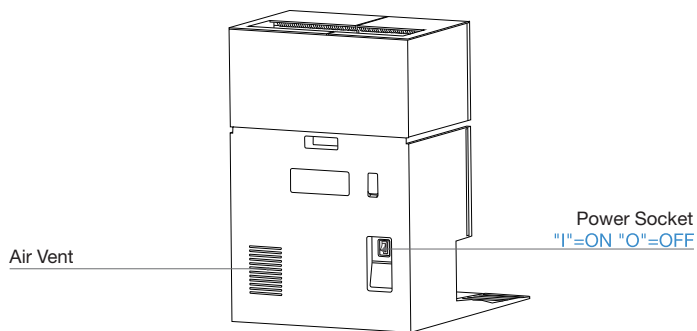
Note:

- Flashing Orange: Please check the ECOVACS HOME App for the cause of the malfunction.
- If DEEBOT fails to charge, please wipe the charging contacts with a clean and dry cloth.

6. Dust Bag



7. OMNI Station Back View



8. Indicator Light on DEEBOT

Light Effect	State
Breathing White	Charging
Solid White	Fully Charged/Running
Solid Red	Low Battery
Flashing Red	DEEBOT Alarm
Flashing Orange	Station Alarm

9. Sensors Overview

Name	Functional Description
Navigation Module	Laser Ranging is applied to measure the distance between DEEBOT and surrounding objects based on the time difference of reflection, allowing the module to map against the objects around while DEEBOT is moving. The detection range is 10 m.
Obstacle Avoidance Module	Infrared Ranging and similar triangles are applied to measure the distance between the surrounding objects and DEEBOT. When the sensor detects an object nearby, DEEBOT will automatically take a turn to avoid bumping into the object. The detection range is 0.3 m.
Anti-drop Sensors	Using the Time-of-Flight (dToF) principle, the dToF sensor located on DEEBOT's bottom continuously measures the distance between DEEBOT and the ground. Meanwhile, infrared sensors on the bottom detect the distance using infrared ranging technology. DEEBOT will not move forward when there are stairs in front (such as when the height of the white surface is 55 mm or more, or the height of the black surface is 30 mm or more) and the identified height exceeds the preset one, realizing the anti-drop feature.
Carpet Detection Sensor	The sensor emits 300 kHz ultrasound, whose energy will be absorbed by the carpet, causing the echoed energy to be lower than the threshold. DEEBOT thereby detects the carpet's presence. In the ECOVACS laboratory, more than 50 types of carpets available on the market are identified.
Anti-collision Sensor	With the principle of the Optocoupler Switch, DEEBOT will avoid obstacles when they are about to collide.
Edge Sensor	With Infrared Ranging, the edge sensor detects the distance between the DEEBOT and objects on the side. When there is a wall or obstacles on the right, the DEEBOT performs edge cleaning to avoid missing any spots and prevent collisions.
AIVI Camera	Use AI cameras to collect images of the surrounding environment. Realize video recording. Through interaction with MIC, remote video call can be realized.
Microphone	The microphone captures sound through diaphragm vibrations caused by the human voice traveling through the air. This enables voice recording and Voice Control to direct the DEEBOT to complete the assigned job through the acquisition and algorithms of sound models. The effective wake distance is 5 m.

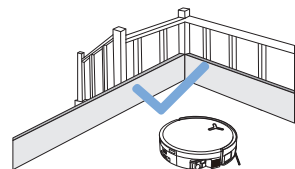
INITIAL SETUP AND USE

1 Notes before Cleaning



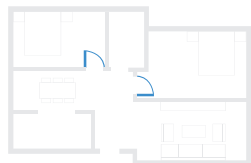
Tidy up the Area to be Cleaned

For the maximum cleaning area possible, put furniture, such as tables, chairs, and pedestal fans, in their proper place and put away low-lying items, such as weight scales, before using DEEBOT.



Prevent DEEBOT from Fallin

Place a physical barrier at the edge of a drop, such as staircases and steps, to stop DEEBOT from falling over the edge.



Open Doors and Help DEEBOT Explore

Open all room doors to help DEEBOT fully explore your house during the first use.



Remove objects, including cables, clothes, and slippers, from the floor to improve cleaning efficiency.



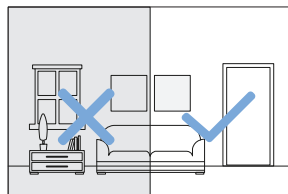
Before using the product on a carpet with tasseled edges, please fold the tassels under the carpet.



Please do not stand in narrow spaces, such as hallways, to avoid blocking the navigation module.



Ensure the clarity of DEEBOT's vision and avoid scratching or smudging the AI camera lens with fingerprints or oily stains. Use a clean, soft cloth to wipe the camera, instead of cleaning agents, detergents, or sprays.



Provide Sufficient Lighting

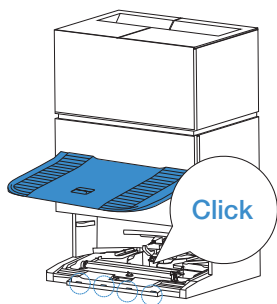
Ensure all cleaning areas are well-lit to support DEEBOT's AI camera in accurately avoiding obstacles such as shoes, socks, and cords.

2 Quick Start

Remove all protective materials before using the appliance.

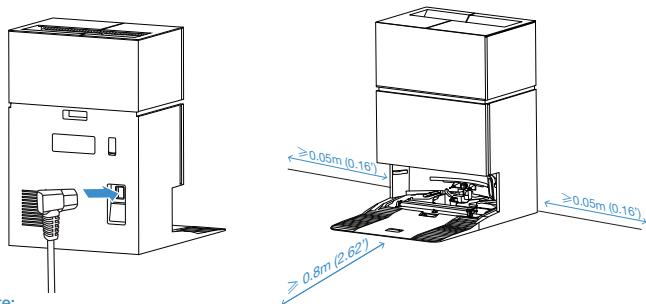
1. Station Installation

The sound of "click" indicates proper installation.



2. Assemble and Place the Station

Place the OMNI station against the wall on a flat, hard surface. Do not place items within 0.05 m on either side and 0.8 m in front.



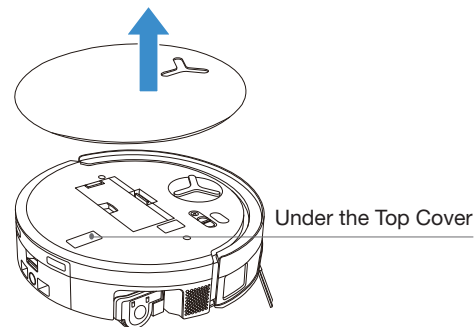
Note:

- If there are reflective objects such as mirrors and reflective skirting lines near the station, the bottom 14 cm of such objects should be covered.
- Do not place the station under direct sunlight or in high-temperature environments.
- Place the station in a location with a strong Wi-Fi signal for a better user experience.

3 Download ECOVACS HOME APP

To enjoy all available features, it is recommended that you control your DEEBOT via the ECOVACS HOME App.

Scan the QR code under the top cover to download the App.


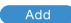


Or search "ECOVACS HOME" on the App Store or Google Play to download the App.



Note: Follow the instructions on the App to complete the registration, login, and connection.

4 Connect DEEBOT with APP

Via Bluetooth: Turn on DEEBOT and your mobile phone Bluetooth. Allow the App to obtain mobile phone Bluetooth permission. Tap to scan the QR Code on DEEBOT or tap  or  in the App to find the nearby DEEBOT.

Via Wi-Fi: You can also choose to connect DEEBOT with the App through other methods according to the prompts on the App's page.


Note: Please connect via Bluetooth for a better experience.

Note: Please connect via Bluetooth for a better experience.

Wi-Fi Network Requirements:

- You are using a 2.4GHz or 2.4/5 GHz mixed network.
- Your router supports 802.11b/g/n and IPv4 protocol.
- Do not use a VPN (Virtual Private Network) or Proxy Server.
- Do not use a hidden network.
- WPA and WPA2 using TKIP, PSK, AES/CCMP encryption.
- WEP EAP (Enterprise Authentication Protocol) is not supported.
- Use Wi-Fi channels 1-11 in North America and channels 1-13 outside North America (refer to local regulatory agency).
- If you are using a network extender/repeater, the network name (SSID) and password are the same as your primary network.
- Please enable the WPA2 on your router.


Wi-Fi Indicator Light

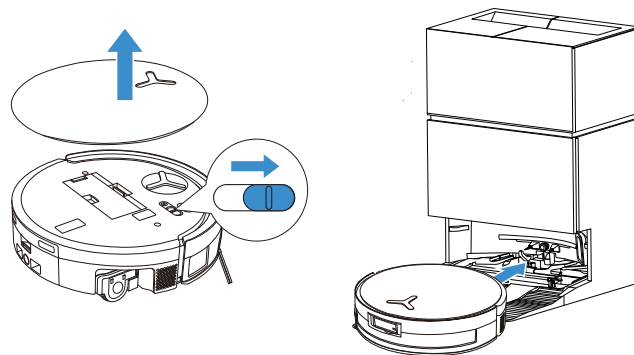
	Slow flashing white light	Disconnected from Wi-Fi
	Fast flashing white light	Connecting
	Steady white light	Connected to Wi-Fi

Please be aware that intelligent features such as remote startup, voice interaction, 2D/3D map display and control settings, and personalized cleaning (depending on the Appliance) require the ECOVACS HOME App, which is constantly updated.

You need to agree to our Privacy Policy and User Agreement so that we can process some of your essential and necessary information before you can use certain features of the ECOVACS HOME App to control the Appliance. If you disagree with our Privacy Policy and User Agreement, such features will be unavailable. However, you can still use the basic features of this appliance for manual operation.

5 Power on and Charge DEEBOT

Turn on the power switch under DEEBOT's cover ('I' = ON, 'O' = OFF), and place DEEBOT in front of the station that is connected to the power supply. Use the ECOVACS HOME App or voice control to recall DEEBOT, or press and hold  on DEEBOT for 3 s, to allow DEEBOT to dock for charging.

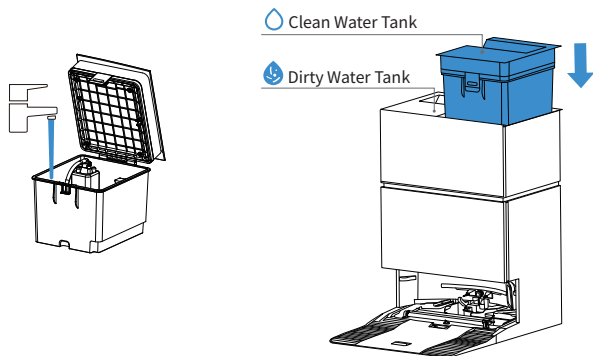


Note:

- DEEBOT cannot charge when it is powered off.
- After cleaning, it is recommended to keep DEEBOT powered on and charging to ensure it is ready for the next cleaning session.
- Please start cleaning from the station. Do not move the station while cleaning.

6 Fill the Clean Water Tank

Take out the clean water tank, open the tank cover, and fill the tank with water. Close the tank cover and reinstall the clean water tank.

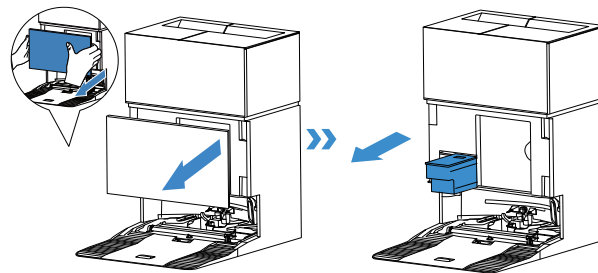


Note:

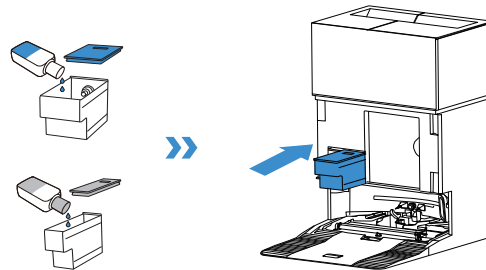
- Use only ECOVACS DEEBOT cleaning solution to avoid malfunctions.
- Use a clean, dry cloth to wipe off any water on the surface of the tank before placing it in position.
- Make sure to lock the top covers of both water tanks securely before use.
- Any watermarks in the water tanks are from function testing. Please use it with confidence.

7 Add Cleaning Solution

1. Take off the dust collection cabin cover, pull out the two cleaning solution boxes, and place them on a level, hard surface.



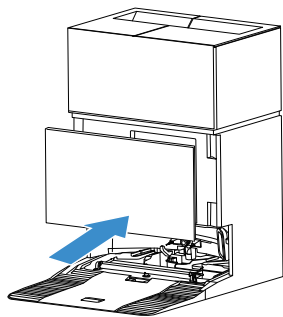
2. Remove the lid of the cleaning solution tank and pull out the two cleaning solution boxes. Pour the standard cleaning solution into the blue box and the heavy-duty cleaning solution into the black box. After securing the box lids, push them back into the station and close the tank lid.



Note:

- Do not pour cleaning solution into the clean water tank. Add it to the cleaning solution tank instead. Otherwise, an incorrect ratio may cause excessive foaming and reduce cleaning effectiveness.

3. Return the dust collection cabin cover and press the cover firmly to secure it in position.



Note:

- For better performance and longer lifespan of the product, please use ECOVACS DEEBOT cleaning solution (sold separately).
- Please make sure that no foreign objects fall into the cleaning solution box.

8 Operate DEEBOT for Cleaning

1. Start Mapping


When creating a map for the first time, please follow DEEBOT to help with some minor issues.

For example, DEEBOT may get stuck under furniture. Please refer to the following solutions:


- ① Raise the low-sitting furniture if possible;
- ② Cover the bottom of the furniture;
- ③ Set up a virtual boundary via the App.

2. Start Cleaning


- The DEEBOT's water tank is automatically refilled through the station. Manual refilling is not needed.
- When mopping, DEEBOT will recognize floor types and is able to lift mops automatically when encountering carpets. Please do not use DEEBOT on shaggy rugs or carpets with fibres longer than 10 mm. It is recommended to fold up the shaggy rugs with fibres longer than 10 mm during the cleaning process, or set the shaggy carpeted area as a no-entry zone by setting a virtual boundary in the ECOVACS HOME App.

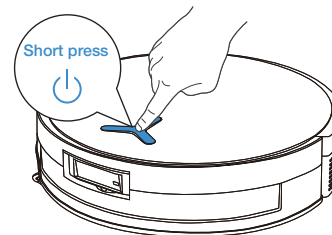
Please ensure that DEEBOT is in the station and is fully charged before cleaning for the first time. Tap  on DEEBOT to start. You can also use the ECOVACS HOME App or voice control to start.

3. Pause


Tap  on DEEBOT to pause it while it is working. You can also use the ECOVACS HOME App or voice control to pause DEEBOT.

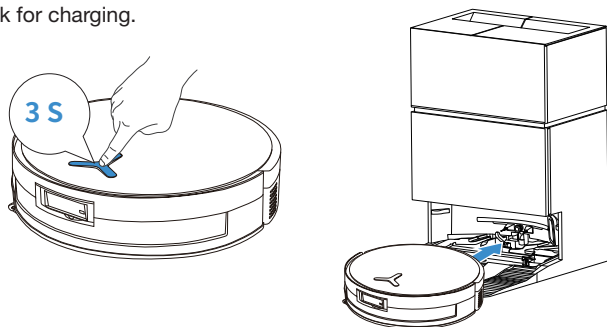
4. Wake Up

After pausing for a while, all indicator lights on DEEBOT will go out. To wake up DEEBOT, press .



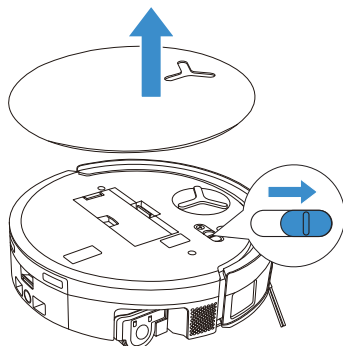
5. Back to Station

Use the ECOVACS HOME App or voice control to recall DEEBOT, or press and hold the  button on DEEBOT for 3 s, to allow DEEBOT to dock for charging.



6. Deep Sleep Mode

DEEBOT will enter deep sleep mode if it stays outside the station for about 10 h to protect the battery. Please switch OFF and ON to wake DEEBOT up.



When PowerBoost Charging is enabled, DEEBOT will fast charge for about 5 minutes after returning to the station. It will then switch to standard charging and stop automatically once fully charged.

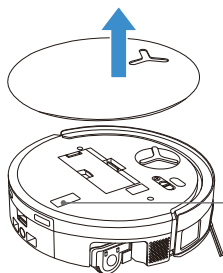
TECHNICAL SPECIFICATIONS

Model	DEX99-1		
Rated Input	16.4 V === 3 A	Fast Charge Input	16.4 V === 9.5 A
Charging Time	about 4.0 h		
Station Model	CH24C0		
Rated Input	110-120 V ~ 50-60 Hz		
Nominal Charge Output	16.4 V === 3 A	Fast Charge Output (Short Time)	16.4 V === 9.5 A
Rated Input Current (Charging)	2.5 A	Power (Emptying)	4.5 A
Power (Hot Water Washing Mop)	14 A		

Output power of the wireless module is less than 100 mW.

Note: Technical and design specifications may be changed for continuous product improvement.

Explore more accessories at <https://www.ecovacs.com>.



Please use the mobile camera to scan the QR code and obtain the user guide.

CONSIGNES DE SÉCURITÉ IMPORTANTES

Lors de l'utilisation d'un appareil électrique, il faut toujours suivre les précautions de base, y compris les suivantes :

LISEZ TOUTES LES INSTRUCTIONS AVANT D'UTILISER CET APPAREIL CONSERVEZ CES INSTRUCTIONS

1. Ne permettez pas l'utilisation de l'appareil comme s'il s'agissait d'un jouet. Une attention particulière est nécessaire lorsqu'il est utilisé par des enfants ou à proximité de ceux-ci.
2. Dégagez la zone à nettoyer. Retirez les cordons d'alimentation et les petits objets du sol qui pourraient enchevêtrer l'appareil. Rentrez les franges du tapis sous la base du tapis et soulevez les articles tels que les rideaux et les nappes du sol.
3. S'il y a une chute dans la zone de nettoyage en raison d'une marche ou d'un escalier, vous devez utiliser l'appareil pour vous assurer qu'il peut détecter la marche sans chuter. Il peut être nécessaire de placer une barrière physique sur le bord pour empêcher l'appareil de tomber. Assurez-vous que la barrière physique ne présente pas de risque de trébuchement.
4. Utilisez l'appareil uniquement comme décrit dans le présent manuel. N'utilisez que des accessoires recommandés ou vendus par le fabricant.
5. Ne manipulez pas la fiche ou l'appareil avec les mains mouillées.
6. Les piles non rechargeables sont interdites.
7. N'utilisez pas l'appareil sans bac à poussière et/ou filtres en place.
8. N'utilisez pas l'aspirateur dans un endroit où il y a des bougies allumées ou des objets fragiles sur le sol à nettoyer.
9. N'utilisez et n'entrez pas l'appareil dans des environnements extrêmement chauds ou froids (moins de -5 °C / 23 °F ou plus de 40 °C / 104 °F). Veuillez recharger le robot à une température supérieure à 0 °C/32 °F et inférieure à 40 °C/104 °F.
10. Gardez les cheveux, les vêtements amples, les doigts et toutes les parties du corps à l'écart des ouvertures et des pièces mobiles.
11. N'utilisez pas l'appareil dans une pièce où un bébé ou un enfant dort.
12. Pour un usage à L'INTÉRIEUR SEULEMENT. N'utilisez pas l'appareil dans des environnements extérieurs, commerciaux ou

industriels. N'utilisez pas l'appareil sur des surfaces mouillées ou sur lesquelles il y a de l'eau stagnante.

13. Ne laissez pas l'appareil ramasser de gros objets, comme des pierres, de gros morceaux de papier ou tout autre objet qui pourrait l'obstruer.
14. N'utilisez pas l'appareil pour ramasser des matériaux inflammables ou combustibles, comme de l'essence, de la poudre d'encre d'imprimante ou de photocopieur, et ne l'utilisez pas dans des endroits où il pourrait y en avoir.
15. Ne ramassez rien qui brûle ou fume, comme des cigarettes, des allumettes, des cendres chaudes ou toute autre chose qui pourraient causer un incendie.
16. Ne mettez aucun objet dans les ouvertures. N'utilisez pas l'appareil alors qu'une ouverture est bloquée; maintenez-le exempt de poussière, de peluches, de cheveux et de tout ce qui peut réduire la circulation de l'air.
17. Prenez soin de ne pas endommager le cordon d'alimentation. Ne tirez pas ou ne transportez pas l'appareil ou la station d'accueil par le cordon d'alimentation, n'utilisez pas le cordon d'alimentation comme poignée, ne fermez pas

une porte sur le cordon d'alimentation et ne tirez pas sur le cordon d'alimentation autour de bordures ou des coins tranchants. Ne déplacez pas l'appareil et la station d'accueil par-dessus le cordon d'alimentation. Gardez le cordon d'alimentation à l'écart des surfaces chaudes. Ne débranchez pas l'appareil en tirant sur le cordon. Pour procéder au débranchement, prenez la fiche et non le cordon.

18. Si le cordon d'alimentation est endommagé, il doit être remplacé par le fabricant ou son agent de service afin d'éviter tout danger.
19. N'utilisez pas l'appareil s'il a un cordon d'alimentation ou une fiche endommagée. N'utilisez pas l'appareil ou la station d'accueil s'il ne fonctionne pas correctement, s'il est tombé, endommagé, s'il est laissé à l'extérieur ou s'il est entré en contact avec de l'eau. Il doit être réparé par le fabricant ou son agent de service afin d'éviter tout danger.
20. Mettez l'interrupteur d'alimentation en position d'arrêt avant de nettoyer ou d'entretenir l'appareil. Éteignez toutes les commandes avant de procéder au débranchement. Éteignez toujours cet appareil avant de brancher ou de débrancher la brosse motorisée.

21. Mettez l'interrupteur d'alimentation en position d'arrêt avant de retirer le bac à poussière.
22. Retirez l'appareil de la station d'accueil et mettez l'interrupteur d'alimentation de l'appareil en position d'arrêt avant de retirer la batterie pour la mise au rebut de l'appareil.
23. La batterie doit être retirée et jetée conformément aux lois et réglementations locales avant de mettre au rebut l'appareil.
24. Veuillez jeter les batteries usagées conformément aux lois et réglementations locales.
25. N'incinerez pas l'appareil même s'il est gravement endommagé. En cas d'incendie, les batteries peuvent exploser.
26. Lorsque vous n'utilisez pas la station d'accueil, débranchez-la de la prise lorsqu'elle n'est pas utilisée et avant un entretien.
27. L'appareil doit être utilisé conformément aux instructions du présent manuel d'instructions. Ecovacs Home Service Robotics ne peut être tenu responsable des dommages ou blessures causés par une mauvaise utilisation.
28. Évitez les démarrages involontaires. Assurez-vous que l'interrupteur est en position d'arrêt avant d'effectuer la connexion au bloc-pile, de ramasser ou de transporter l'appareil.
29. Lorsque le bloc-pile n'est pas utilisé, gardez-la à l'écart des autres objets métalliques, comme les trombones, pièces de monnaie, clés, clous, vis ou autres petits objets métalliques, qui peuvent établir une connexion d'une borne à l'autre. Court-circuiter les bornes de la batterie peut causer des brûlures ou un incendie.
30. Dans des conditions abusives, du liquide peut être éjecté de la batterie; Évitez le contact. En cas de contact accidentel, rincez à l'eau. Si du liquide entre en contact avec les yeux, consultez également un médecin. Le liquide éjecté de la batterie peut causer une irritation ou des brûlures.
31. N'utilisez pas un bloc-pile ou un appareil endommagé ou modifié. Les batteries endommagées ou modifiées peuvent présenter un comportement imprévisible entraînant un incendie, une explosion ou un risque de blessures.
32. N'exposez pas un bloc-pile ou un appareil au feu ou à une température excessive. L'exposition à du feu ou à une température supérieure à 130 °C peut causer une explosion. La température de 130 °C peut être remplacée

par la température de 265 °F.

33. Suivez toutes les instructions de recharge et ne rechargez pas le bloc-pile ou l'appareil en dehors de la plage de températures spécifiée dans les instructions. Une charge incorrecte ou à des températures hors de la plage spécifiée peut endommager la batterie et augmenter le risque d'incendie.
34. Faire effectuer l'entretien par un réparateur qualifié en utilisant uniquement des pièces de rechange identiques. Cela permettra de maintenir l'innocuité du produit.
35. Ne modifiez pas et n'essayez pas de réparer l'appareil ou le bloc-pile (le cas échéant), sauf dans les cas indiqués dans le mode d'emploi et d'entretien.
36. Placez les cordons des autres appareils à l'extérieur de la zone à nettoyer.
37. N'utilisez pas l'aspirateur dans une pièce où il y a des bougies allumées sur des meubles que l'aspirateur pourrait accidentellement heurter.
38. Ne laissez pas les enfants s'asseoir sur l'aspirateur.
39. Utilisez l'appareil uniquement comme décrit dans le présent manuel. N'utilisez que les accessoires recommandés par le fabricant.
40. Recharger uniquement avec le chargeur spécifié par le fabricant. Un chargeur qui est adapté à un type de bloc-pile peut créer un risque d'incendie lorsqu'il est utilisé avec un autre bloc-pile.
41. N'utilisez les appareils qu'avec des blocs-piles spécifiquement conçus. L'utilisation de tout autre bloc-piles peut créer un risque de blessure et d'incendie.
42. Le robot contient des batteries qui ne peuvent être remplacées que par des personnes qualifiées. Pour remplacer la batterie du robot, veuillez contacter le service à la clientèle.
43. Si le robot n'est pas utilisé pendant une période prolongée, chargez-le complètement et éteignez-le pour le ranger et débranchez la station d'accueil.
44. Pour réduire le risque d'électrocution – N'utilisez pas l'appareil à l'extérieur ni sur des surfaces mouillées. N'exposez pas l'appareil à la pluie. Conservez l'appareil à l'intérieur.
45. Pour réduire le risque de blessure causée par les pièces mobiles, débranchez l'appareil avant l'entretien.
46. Risque de blessures. La brosse peut démarrer de manière inattendue. Procédez au débranchement avant d'effectuer un nettoyage

ou un entretien.

47. Pour réduire le risque de blessures, l'utilisateur doit lire le manuel d'instructions.
48. Pour réduire le risque d'électrocution – Ne pas utiliser à l'extérieur ni sur des surfaces mouillées.
49. Veuillez vous assurer que votre tension d'alimentation correspond à la tension d'alimentation indiquée sur la station d'accueil.
50. N'utilisez pas la station d'accueil si elle est endommagée.
51. La fiche doit être retirée de la prise avant de nettoyer ou d'entretenir la station d'accueil.
52. Interrupteur d'alimentation : « I » = ON, « O » = OFF.
53. Connectez-le à une prise correctement mise à la terre seulement. Consultez les instructions de mise à la terre.

≡	Courant continu
~	Courant alternatif

Cet appareil est conforme aux règles sur les rayonnements du DHHS, 21CFR, chapitre 1, sous-chapitre J.

Déclaration sur les interférences de la Federal Communications Commission (FCC)

REMARQUE : Cet équipement a été testé et jugé conforme aux limites d'un appareil numérique de classe B, conformément à la partie 15 des règles de la FCC.

Ces limites sont conçues pour fournir une protection raisonnable contre les interférences nuisibles dans une installation résidentielle. Cet équipement génère, utilise et peut produire de l'énergie de radiofréquence et, s'il n'est pas installé et utilisé conformément aux instructions, peut causer des interférences nuisibles aux communications radio.

Cependant, il n'y a aucune garantie qu'il n'y aura pas d'interférence dans une installation en particulier. Si cet équipement cause des interférences nuisibles à la réception radio ou télévision, ce qui peut être déterminé en éteignant et en rallumant l'équipement, l'utilisateur est encouragé à essayer de corriger l'interférence par l'une ou plusieurs des mesures suivantes :

- Réorienter ou déplacer l'antenne de réception.

- Augmenter l'espacement entre l'équipement et le récepteur.
- Brancher l'équipement dans une prise d'un circuit différent de celui auquel le récepteur est connecté.
- Consulter le détaillant ou un technicien radio ou télé expérimenté pour obtenir de l'aide.

Cet appareil est conforme à la partie 15 des règles de la FCC. L'utilisation est assujettie aux deux conditions suivantes :

(1) Cet appareil ne doit pas causer d'interférences nuisibles et (2) il doit accepter toute interférence reçue, y compris les interférences qui peuvent causer un fonctionnement indésirable.

Mise en garde : Les changements ou les modifications apportés à cet appareil qui ne sont pas expressément approuvés par la partie responsable de la conformité pourraient annuler le droit de l'utilisateur d'utiliser l'équipement.

Cet appareil contient des émetteurs/récepteurs exempts de licence qui sont conformes aux CNR exempts de licence d'Innovation, Sciences et Développement économique Canada. L'utilisation est assujettie aux deux conditions suivantes :

- (1) Cet appareil ne doit pas causer d'interférence.
- (2) Cet appareil doit accepter toute interférence, y compris les interférences qui pourraient causer un fonctionnement indésirable de l'appareil.

Avertissement d'exposition aux RF


Cet équipement est conforme aux limites d'exposition au rayonnement de la FCC établies pour un environnement non contrôlé.

Cet équipement doit être installé et utilisé conformément aux instructions fournies, et les antennes utilisées pour cet émetteur doivent être installées de manière à assurer une distance de séparation d'au moins 20 cm de toutes les personnes et ne doivent pas être placées à côté ou fonctionner conjointement avec une autre antenne ou émetteur.

Mise en garde de la MPE (pour les appareils mobiles en vertu de la partie 15.247)

Pour satisfaire les exigences relatives à l'exposition aux RF de la FCC et d'IC, une distance de séparation de 20 cm ou plus doit être maintenue entre l'antenne de cet appareil et les personnes pendant le fonctionnement de l'appareil.

Pour assurer la conformité, il n'est pas recommandé d'utiliser l'appareil à une distance inférieure à cette indication.

Pour désactiver le module Wi-Fi sur le DEEBOT, procédez comme suit : allumez le robot, puis placez-le sur la station OMNI, en vous assurant que les contacts de recharge sur le DEEBOT et la station sont correctement connectés, et maintenez enfoncé le bouton  pendant 30 secondes jusqu'à ce que vous entendiez des bips.

Pour activer le module Wi-Fi sur le DEEBOT, veuillez redémarrer le robot. De plus, débranchez et branchez la station.

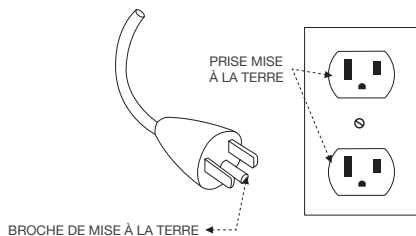
CONSERVEZ CES INSTRUCTIONS

INSTRUCTIONS DE MISE À LA TERRE

Cet appareil doit être mis à la terre. En cas de dysfonctionnement ou de panne, la mise à la terre fournit un chemin de moindre résistance pour le courant électrique afin de réduire le risque d'électrocution. Cet appareil est équipé d'un cordon doté d'un conducteur de mise à la terre de l'équipement et d'une fiche de mise à la terre. La fiche doit être insérée dans une prise appropriée correctement installée et mise à la terre conformément à tous les codes et toutes les ordonnances locaux.

AVERTISSEMENT – Une mauvaise connexion du conducteur de mise à la terre de l'équipement peut entraîner une électrocution. Vérifiez auprès d'un électricien ou d'un technicien qualifié si vous avez des doutes quant à la mise à la terre. Ne modifiez pas la fiche fournie avec l'appareil – si elle ne s'adapte pas à la prise, faites installer une prise appropriée par un électricien qualifié.

Cet appareil est destiné à être utilisé sur un circuit nominal de 120 V et possède une fiche de mise à la terre qui ressemble à celle illustrée sur la photo suivante. Assurez-vous que l'appareil est connecté à une prise ayant la même configuration que la fiche. Aucun adaptateur ne doit être utilisé avec cet appareil.



Pour un usage domestique à L'INTÉRIEUR SEULEMENT. Cet appareil contient des émetteurs/récepteurs exempts de licence qui sont conformes aux CNR exempts de licence d'Innovation, Sciences et Développement économique Canada. L'utilisation est assujettie aux deux conditions suivantes :

- (1) Cet appareil ne doit pas causer d'interférence.
- (2) Cet appareil doit accepter toute interférence, y compris les interférences qui pourraient causer un fonctionnement indésirable de l'appareil.

Pour satisfaire les exigences relatives à l'exposition aux RF de la FCC et d'IC, une distance de séparation de 20 cm ou plus doit être maintenue entre l'antenne de cet appareil et les personnes pendant le fonctionnement de l'appareil.

Pour assurer la conformité, il n'est pas recommandé d'utiliser l'appareil à une distance inférieure à cette indication.

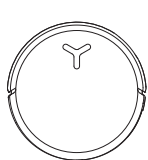
Mise à jour de l'appareil

Généralement, certains appareils sont mis à jour tous les deux mois, mais pas toujours aussi précis.

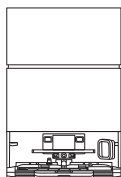
Certains appareils, en particulier ceux qui ont été mis en vente il y a plus de trois ans, ne seront mis à jour que si une vulnérabilité critique est trouvée et corrigée.

CONTENU DE L'EMBALLAGE

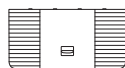
1 Contenu de l'emballage



DEEBOT



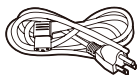
OMNI base



Base



Manuel d'instructions



Cordon d'alimentation



Protège-coins



Solution de nettoyage pour DEEBOT d'ECOVACS



Solution de nettoyage puissante ECOVACS DEEBOT

Remarque :

* Une paire de protège-coins bien pensés est incluse pour améliorer la sécurité de l'utilisateur et le confort de manipulation. Pour l'installation : alignez la fente intérieure du protège-coin avec la bordure et pressez-le en place. Compatible avec toutes les configurations d'angle du DEEBOT.

* Les chiffres du présent manuel sont fournis à titre indicatif seulement et peuvent différer de ceux de l'appareil. La conception et les spécifications du produit peuvent être modifiées sans préavis.

2 Schéma du produit

1. Vue de face du DEEBOT

Boutons sur le DEEBOT :

Une pression : permet de basculer entre le démarrage/mise en pause

Pression pendant 3 s : retour à la station

Double tapotement : permet de déployer/rétracter la vadrouille

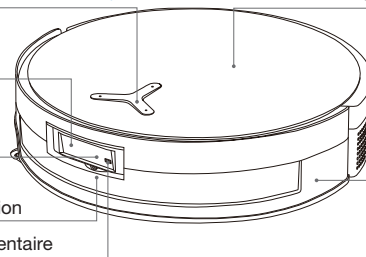
(Le DEEBOT n'est pas dans la station)

Module d'évitement d'obstacles

Caméra AIVI

Module de navigation

Éclairage supplémentaire



Couvercle supérieur

Pare-chocs

2. Vue du bas du DEEBOT

Capteurs anti-chute

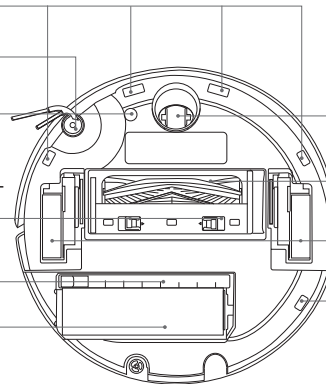
Brosse latérale

Capteur de détection de tapis

Bouton de déverrouillage de la brosse

Bac d'égouttage

Vadrouille à rouleau remplaçable



Roue universelle

Brosse principale

Roues motrices

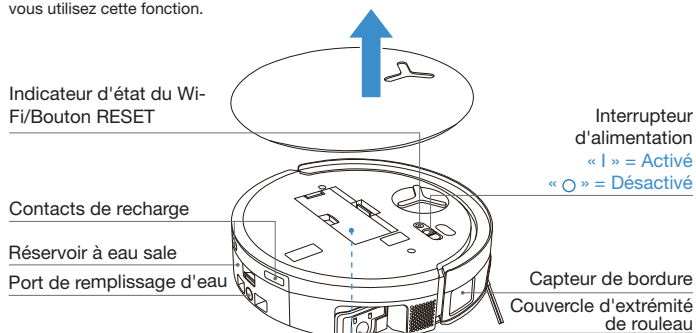
Capteurs anti-chute

3. À l'intérieur du DEEBOT (sous le couvercle supérieur)

Bouton RESET (Réinitialisation)

Configuration du réseau : Appuyez sur le bouton RESET et vous entendrez une invite vocale pour connecter le DEEBOT à l'application.

Restaurer les paramètres par défaut : appuyez sur le bouton RESET et maintenez-le enfoncé pendant 5 secondes. Après avoir entendu l'invite vocale, vous entendrez la musique de démarrage et les paramètres par défaut du DEEBOT seront restaurés. Soyez prudent lorsque vous utilisez cette fonction.

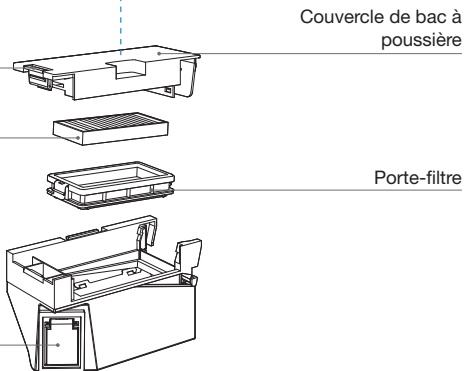


4. Bac à poussière

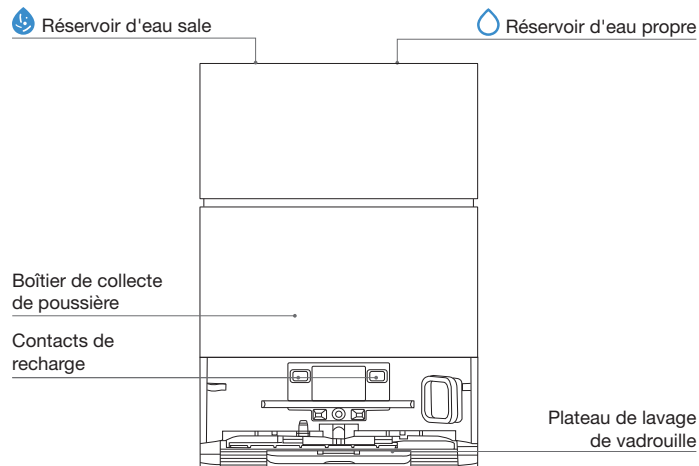
Loquet de filtre

Filtre

Orifice d'élimination de la poussière



5. Vue avant de la station OMNI

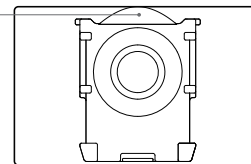


Remarque :

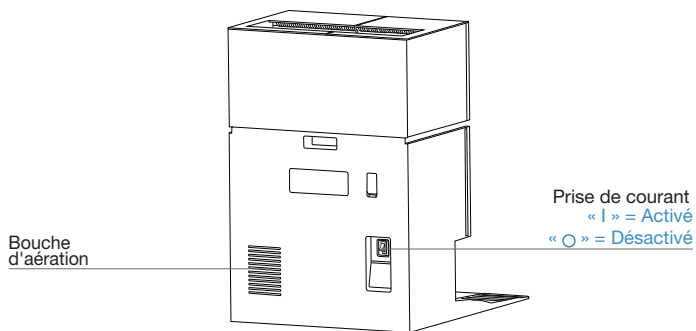
- Clignotement orange : veuillez vérifier l'application ECOVACS HOME pour connaître la cause du dysfonctionnement.
- Si le DEEBOT ne se recharge pas, veuillez essuyer les contacts de recharge avec un chiffon propre et sec.

6. Sac à poussière

Poignée de sac à poussière



7. Vue arrière de la station OMNI



8. Voyant lumineux sur le DEEBOT

Effet lumineux	État
Pulsation blanche	En recharge
Blanc en continu	Complètement rechargé/en cours de fonctionnement
Rouge en continu	Batterie faible
Rouge clignotant	Alarme du DEEBOT
Orange clignotant	Alarme de la station

9. Aperçu des capteurs

Nom	Description fonctionnelle
Module de navigation	La télémétrie laser est appliquée pour mesurer la distance entre le DEEBOT et les objets environnants en fonction de la différence de temps de réflexion, ce qui permet au module d'établir une cartographie par rapport aux objets environnants pendant que le DEEBOT se déplace. La portée de détection est de 10 m.
Module d'évitement d'obstacles	La télémétrie infrarouge et des triangles similaires sont appliqués pour mesurer la distance entre les objets environnants et le DEEBOT. Lorsque le capteur détecte un objet à proximité, le DEEBOT fait automatiquement un tour pour éviter de heurter l'objet. La portée de détection est de 0,3 m.
Capteurs anti-chute	En utilisant le principe du temps de vol (dToF), le capteur dToF situé à la base du DEEBOT mesure en continu la distance entre le DEEBOT et le sol. Pendant ce temps, des capteurs infrarouges à la base détectent la distance à l'aide de la technologie de télémétrie infrarouge. Le DEEBOT ne se déplacera pas lorsqu'il y a des escaliers devant (par exemple lorsque la hauteur de la surface blanche est de 55 mm ou plus, ou que la hauteur de la surface noire est de 30 mm ou plus) et que la hauteur identifiée dépasse celle prédéfinie, activant la fonction anti-chute.
Capteur de détection de tapis	Le capteur émet des ultrasons de 300 kHz, dont l'énergie sera absorbée par le tapis, ce qui fera en sorte que l'énergie de l'écho sera inférieure au seuil. Le DEEBOT détecte ainsi la présence de tapis. Dans le laboratoire ECOVACS, plus de 50 types de tapis disponibles sur le marché sont identifiés.
Capteur anti-collision	Avec le principe de l'interrupteur à photocoupleur, le DEEBOT évitera les obstacles lorsqu'il est sur le point d'entrer en collision.
Capteur de bordure	Avec la télémétrie infrarouge, le capteur de bordure détecte la distance entre le DEEBOT et les objets sur le côté. Lorsqu'il y a un mur ou des obstacles sur la droite, le DEEBOT effectue un nettoyage des bordures pour éviter de manquer des endroits et éviter les collisions.
Caméra AIVI	Utilise des caméras à IA pour recueillir des images de l'environnement en périphérie. Réalise l'enregistrement vidéo. Grâce à l'interaction avec le microphone, un appel vidéo à distance peut être réalisé.
Microphone	Le microphone capte le son par les vibrations du diaphragme causées par la voix humaine qui se déplace dans l'air. Cela permet l'enregistrement vocal et l'utilisation de la commande vocale pour demander au DEEBOT de terminer la tâche assignée grâce à l'acquisition et aux algorithmes de modèles sonores. La distance de réveil effective est de 5 m.

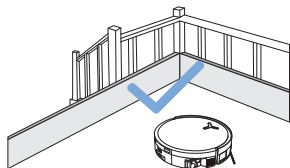
CONFIGURATION INITIALE ET UTILISATION

1 Notes avant le nettoyage



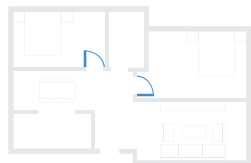
Ranger la zone à nettoyer

Pour une superficie de nettoyage maximale, placez les meubles, comme les tables, les chaises et les ventilateurs sur pied, à leur place et rangez les articles bas, comme les balances, avant d'utiliser le DEEBOT.



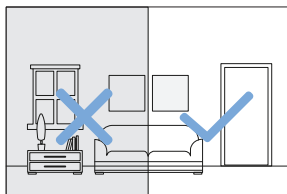
Empêcher le DEEBOT de tomber

Placez une barrière physique au bord d'une chute, comme des escaliers et des marches, pour empêcher le DEEBOT de tomber.



Ouvrir les portes et aider le DEEBOT à explorer

Ouvrez toutes les portes des pièces pour aider le DEEBOT à explorer pleinement votre maison lors de la première utilisation.



Fournir un éclairage suffisant

Assurez-vous que toutes les zones de nettoyage sont bien éclairées pour aider la caméra à IA du DEEBOT à éviter avec précision les obstacles, comme les chaussures, les chaussettes et les cordons.



Retirez les objets, y compris les câbles, les vêtements et les pantoufles, du sol pour améliorer l'efficacité du nettoyage.



Avant d'utiliser le produit sur un tapis à bords à franges; veuillez plier les franges sous le tapis.



Veillez ne pas vous tenir dans des espaces étroits, comme les couloirs, pour éviter de bloquer le module de navigation.



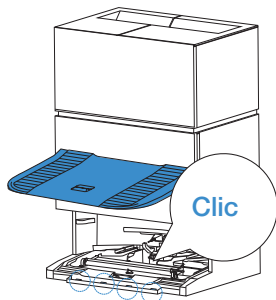
Assurez-vous de la clarté de la vision du DEEBOT et évitez de rayer ou de tacher l'objectif de la caméra à IA avec des empreintes digitales ou des taches huileuses. Utilisez un chiffon propre et doux pour essuyer la caméra, au lieu d'agents de nettoyage, de détergents ou de vaporisateurs.

2 Démarrage rapide

Retirez tous les matériaux de protection avant d'utiliser l'appareil.

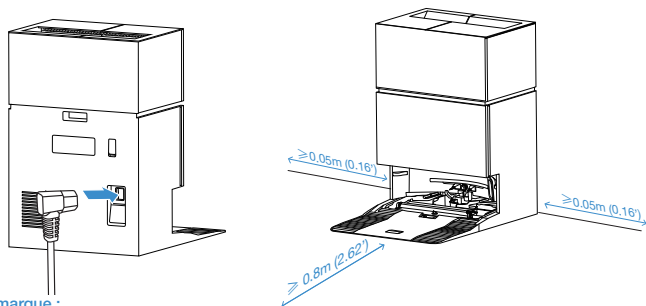
1. Installation de la station

Le son de « clic » indique une installation correcte.



2. Assembler et placer la station

Placez la station OMNI contre le mur sur une surface plane et dure. Ne placez pas d'articles à moins de 0,05 m de chaque côté et de 0,8 m devant.



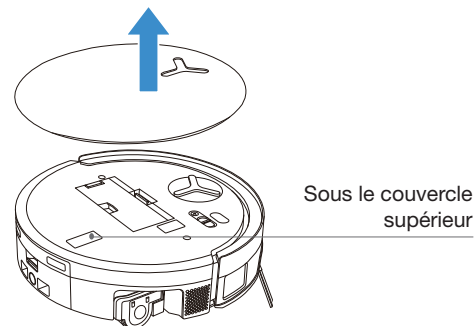
Remarque :

- S'il y a des objets réfléchissants, comme des miroirs et des plinthes réfléchissantes près de la station, les 14 cm inférieurs de ces objets doivent être couverts.
- Ne placez pas la station sous le rayonnement direct du soleil ou dans des environnements à haute température.
- Pour une meilleure expérience utilisateur, placez la station dans un endroit avec un signal Wi-Fi puissant.

3 Télécharger l'application ECOVACS HOME

Pour profiter de toutes les fonctionnalités disponibles, il est recommandé de contrôler votre DEEBOT via l'entremise de l'application ECOVACS HOME.

Balayez le code QR sous le couvercle supérieur pour télécharger l'application.



Ou recherchez « ECOVACS HOME » sur l'App Store ou Google Play pour télécharger l'application.



Remarque : Suivez les instructions sur l'application pour achever l'inscription, l'ouverture de session et la connexion.

4 Connecter le DEEBOT à l'application

Via Bluetooth : Activez le DEEBOT et le Bluetooth de votre téléphone mobile. Autorisez l'application à obtenir l'autorisation Bluetooth du téléphone mobile.

Appuyez pour balayer le code QR sur le DEEBOT ou appuyez sur  ou  dans l'application pour trouver le DEEBOT à proximité.


Via Wi-Fi : Vous pouvez également choisir de connecter le DEEBOT à l'application par d'autres méthodes selon les invites sur la page de l'application.

Remarque : Pour une meilleure expérience, veuillez vous connecter via Bluetooth.

Exigences du réseau Wi-Fi :


- Vous utilisez un réseau mixte de 2,4 GHz ou 2,4/5 GHz.
- Votre routeur prend en charge les protocoles 802.11b/g/n et IPv4.
- N'utilisez pas de VPN (réseau privé virtuel) ou de serveur mandataire.
- N'utilisez pas de réseau caché.
- WPA et WPA2 utilisant le cryptage TKIP, PSK, AES/CCMP.
- WEP EAP (Enterprise Authentication Protocol) n'est pas pris en charge.
- Utilisez les canaux Wi-Fi 1 à 11 en Amérique du Nord et les canaux 1 à 13 à l'extérieur de l'Amérique du Nord (voir l'organisme de réglementation local).
- Si vous utilisez un prolongateur de portée/répéteur de réseau, le nom du réseau (SSID) et le mot de passe sont les mêmes que ceux de votre réseau principal.
- Veuillez activer le WPA2 sur votre routeur.

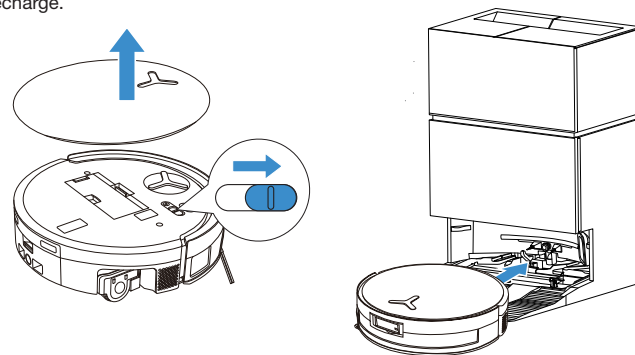
Voyant lumineux Wi-Fi

	Lumière blanche clignotant lentement	Déconnecté du Wi-Fi
	Lumière blanche clignotant rapide-ment	Connexion en cours
	Lumière blanche en continu	Connecté au Wi-Fi

Veuillez noter que les fonctions intelligentes, comme le démarrage à distance, l'interaction vocale, les paramètres d'affichage et de contrôle des cartes 2D/3D et le nettoyage personnalisé (selon l'appareil) nécessitent l'application ECOVACS HOME, qui est constamment mise à jour. Vous devez accepter notre politique de confidentialité et notre entente d'utilisation afin que nous puissions traiter certaines de vos informations essentielles et nécessaires avant que vous puissiez utiliser certaines fonctionnalités de l'application ECOVACS HOME pour contrôler l'appareil. Si vous n'êtes pas d'accord avec notre politique de confidentialité et notre entente d'utilisation, ces fonctionnalités ne seront pas disponibles. Cependant, vous pouvez toujours utiliser les fonctions de base de cet appareil pour un fonctionnement manuel.

5 Allumer et recharger le DEEBOT

Mettez l'interrupteur d'alimentation en position de marche sous le couvercle du DEEBOT (« I » = activé, « O » = désactivé), et placez le DEEBOT devant la station qui est connectée à l'alimentation électrique. Utilisez l'application ECOVACS HOME ou la commande vocale pour rappeler le DEEBOT, ou maintenez enfoncé  sur le DEEBOT pendant 3 s, pour permettre au DEEBOT de s'amarrer pour la recharge.

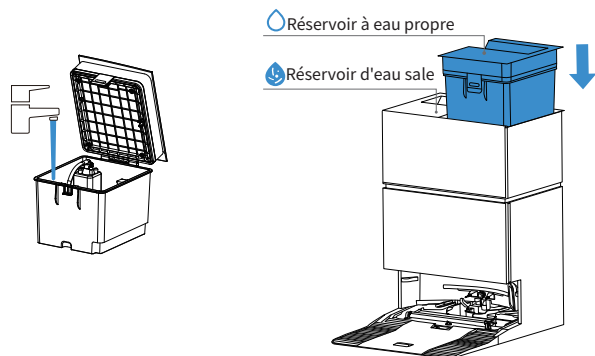


Remarque :

- Le DEEBOT ne peut pas se recharger lorsqu'il est éteint.
- Après le nettoyage, il est recommandé de garder le DEEBOT allumé et en recharge pour s'assurer qu'il est prêt pour la prochaine séance de nettoyage.
- Veuillez commencer le nettoyage à partir de la station. Ne déplacez pas la station pendant le nettoyage.

6 Remplissez le réservoir d'eau propre

Sortez le réservoir d'eau propre, ouvrez le couvercle du réservoir et remplissez le réservoir d'eau. Fermez le couvercle du réservoir et réinstallez le réservoir d'eau propre.

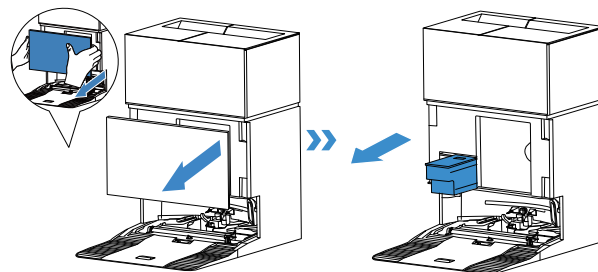


Remarque :

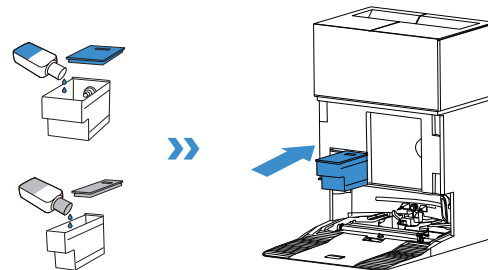
- Utilisez uniquement la solution de nettoyage ECOVACS DEEBOT pour éviter les dysfonctionnements.
- Utilisez un chiffon propre et sec pour essuyer l'eau à la surface du réservoir avant de le placer en position.
- Assurez-vous de verrouiller solidement les couvercles supérieurs des deux réservoirs d'eau avant l'utilisation.
- Toute trace d'eau dans les réservoirs d'eau provient de tests de fonctionnement. Veuillez l'utiliser en toute confiance.

7 Ajouter une solution de nettoyage

1. Retirez le couvercle du boîtier de collecte de poussière, retirez les deux boîtes de solutions de nettoyage et placez-les sur une surface plane et dure.



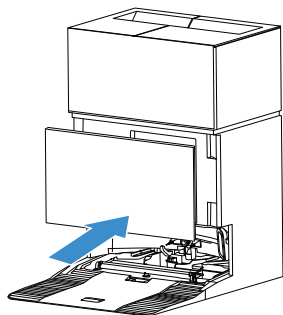
2. Retirez le couvercle du réservoir de solution de nettoyage et retirez les deux boîtes de solution de nettoyage. Versez la solution de nettoyage standard dans la boîte bleue et la solution de nettoyage robuste dans la boîte noire. Après avoir fixé les couvercles des boîtes, repoussez-les dans la station et fermez le couvercle du réservoir.



Remarque :

- Ne versez pas de solution de nettoyage dans le réservoir d'eau propre. Ajoutez-la plutôt au réservoir de solution de nettoyage. Sinon, un mauvais rapport peut causer une mousse excessive et réduire l'efficacité du nettoyage.

3. Remettez le couvercle du boîtier de collecte de poussière et appuyez fermement sur le couvercle pour le fixer en position.



Remarque :

- Pour de meilleures performances et une plus longue durée de vie du produit, veuillez utiliser la solution de nettoyage ECOVACS DEEBOT.
- Assurez-vous qu'aucun corps étranger ne tombe dans la boîte de solution de nettoyage.

8 Utiliser le DEEBOT pour le nettoyage


1. Commencer à cartographier

Lorsque vous créez une carte pour la première fois, veuillez suivre le DEEBOT pour vous aider avec quelques problèmes mineurs.


Par exemple, le DEEBOT peut rester coincé sous les meubles. Veuillez vous référer aux solutions suivantes :

- ① Soulevez les meubles bas, si possible;
- ② Couvrez le bas des meubles;
- ③ Établissez une limite virtuelle via l'application.


2. Commencer à nettoyer

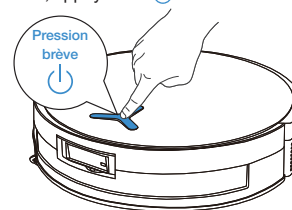
- Le réservoir d'eau du DEEBOT est automatiquement rempli par la station. Le remplissage manuel n'est pas nécessaire.
- Lors du passage de la vadrouille, le DEEBOT reconnaît les types de planchers et sera capable de soulever automatiquement les vadrouilles lorsqu'il rencontre des tapis. Veuillez ne pas utiliser le DEEBOT sur des tapis pelucheux ou des moquettes avec des fibres de plus de 10 mm. Il est recommandé de plier les tapis pelucheux avec des fibres de plus de 10 mm pendant le processus de nettoyage, ou de définir la zone de tapis pelucheux comme zone d'interdiction d'entrée en définissant une limite virtuelle dans l'application ECOVACS HOME. Veuillez vous assurer que le DEEBOT est dans la station et qu'il est complètement rechargé avant le premier nettoyage. Appuyez sur  sur le DEEBOT pour commencer. Vous pouvez également utiliser l'application ECOVACS HOME ou la commande vocale pour démarrer.

3. Mettre en pause


Appuyez sur  sur le DEEBOT pour le mettre en pause pendant qu'il fonctionne. Vous pouvez également utiliser l'application ECOVACS HOME ou la commande vocale pour mettre en pause le DEEBOT.

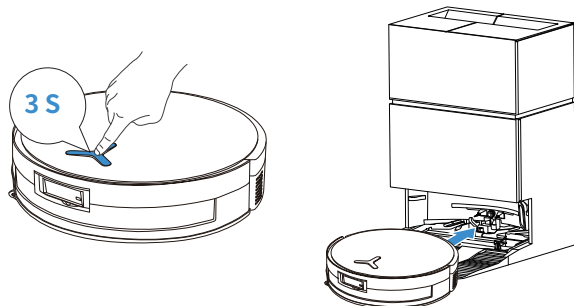
4. Sortir de veille

Après une pause pendant un certain temps, tous les voyants du DEEBOT s'éteignent. Pour sortir de veille le DEEBOT, appuyez sur .



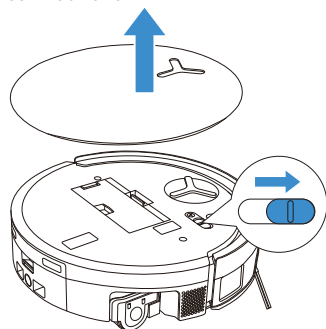
5. Retour à la station

Utilisez l'application ECOVACS HOME ou la commande vocale pour rappeler le DEEBOT, ou maintenez enfoncé le bouton  sur le DEEBOT pendant 3 s, pour permettre au DEEBOT de s'amarrer pour la recharge.



6. Mode veille profonde

Pour protéger la batterie, le DEEBOT entre en mode veille profonde s'il reste à l'extérieur de la station pendant environ 10 heures. Veuillez éteindre et allumer le DEEBOT pour le faire sortir de veille.



Lorsque la PowerBoost Charging est activée, le DEEBOT se recharge rapidement pendant environ 5 minutes après son retour à la station. Il passe ensuite à la recharge standard et s'arrête automatiquement une fois complètement rechargé.

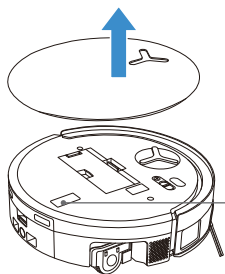
SPÉCIFICATIONS TECHNIQUES

Modèle	DEX99-1		
Entrée nominale	16,4 V === 3 A	Entrée de recharge rapide	16,4 V === 9,5 A
Durée de recharge	environ 4 h		
Modèle de station	CH24C0		
Entrée nominale	110-120 V ~ 50-60 Hz		
Sortie de recharge nominale	16,4 V === 3 A	Sortie de recharge rapide (courte durée)	16,4 V === 9,5 A
Courant d'entrée nominal (recharge)	2,5 A	Alimentation (vidange)	4,5 A
Alimentation (vadrouille de lavage à eau chaude)	14 A		

La puissance de sortie du module sans fil est inférieure à 100 mW.

Remarque : Les spécifications techniques et de conception peuvent être modifiées pour améliorer continuellement le produit.

Découvrez d'autres accessoires sur <https://www.ecovacs.com>.



Veuillez utiliser la caméra de téléphone cellulaire pour balayer le code QR et obtenir le guide de l'utilisateur.

INSTRUCCIONES IMPORTANTES DE SEGURIDAD

Cuando se utilice un aparato eléctrico, se deben cumplir siempre precauciones básicas entre las que se incluyen las siguientes:

LEA TODAS LAS INSTRUCCIONES ANTES DE UTILIZAR ESTE APARATO GUARDE ESTAS INSTRUCCIONES

1. No permita que se utilice como juguete. Es necesario prestar mucha atención cuando lo utilicen niños o estén cerca.
 2. Despeje la zona a limpiar. Retire del suelo los cables de alimentación y los objetos pequeños que puedan enredar el aparato. Meta los flecos de la alfombra debajo de la base de la alfombra y levante del suelo objetos como cortinas y manteles.
 3. Si hay un desnivel en la zona a limpiar debido a un escalón o una escalera, debe usar el aparato de modo de asegurar que pueda detectar el escalón sin caerse por el borde. Puede ser necesario colocar una barrera física en el borde para evitar que la unidad caiga.
- Asegúrese de que no hay peligro de tropezar en la barrera física.
 4. Utilícela solo como se describe en este manual. Utilice únicamente los accesorios recomendados o vendidos por el fabricante.
 5. No manipule el enchufe ni el aparato con las manos mojadas.
 6. Prohibido usar pilas no recargables.
 7. No utilizar sin el depósito de polvo y/o los filtros colocados.
 8. No utilice la aspiradora en una zona donde haya velas encendidas u objetos frágiles en el suelo a limpiar.
 9. No utilizar ni almacenar en ambientes extremadamente calientes o fríos (por debajo de -5°C / 23°F o por encima de 40°C / 104°F). Cargue el robot a una temperatura superior a 0°C / 32°F e inferior a 40°C / 104°F .
 10. Mantenga el cabello, la ropa suelta, los dedos y todas las partes del cuerpo alejados de cualquier abertura y pieza móvil.
 11. No utilice el aparato en una habitación donde duerma un bebé o un niño.
 12. **EXCLUSIVAMENTE** para uso en INTERIORES. No utilice el aparato en exteriores ni entornos

comerciales o industriales. No utilice el aparato sobre superficies mojadas o con agua estancada.

13. No permita que el aparato recoja objetos grandes como piedras, trozos grandes de papel o cualquier elemento que pueda obstruir el aparato.
14. No lo utilice para recoger materiales inflamables o combustibles como gasolina, tóner de impresora o fotocopiadora, ni en zonas donde puedan estar presentes.
15. No recoja nada que esté ardiendo o humeando, como cigarrillos, fósforos, cenizas calientes o cualquier cosa que pueda provocar un incendio.
16. No introduzca ningún objeto en las aberturas. No lo utilice con alguna abertura bloqueada; manténgalo libre de polvo, pelusa, pelo y cualquier cosa que pueda reducir el flujo de aire.
17. Tenga cuidado de no dañar el cable de alimentación. No tire del aparato ni de la base de conexión ni los transporte por el cable de alimentación. No utilice el cable de alimentación como asa, no cierre una puerta sobre el cable

de alimentación ni tire del cable de alimentación alrededor de bordes o esquinas filosos. No pase el aparato y la base de conexión por encima del cable de alimentación. Mantenga el cable de alimentación alejado de superficies calientes. No desenchufe tirando del cable. Para desenchufar sujete el enchufe, no el cable.

18. Si el cable de alimentación está dañado, debe ser sustituido por el fabricante o su servicio técnico para evitar peligros.
19. No utilizar con un cable de alimentación o un enchufe dañados. No utilice el aparato ni la base de conexión si no funcionan correctamente, se han caído, han sufrido daños, se han dejado a la intemperie o han entrado en contacto con agua. Debe ser reparado por el fabricante o su servicio técnico para evitar riesgos.
20. Apague el interruptor de alimentación antes de limpiar o realizar tareas de mantenimiento en el aparato. Apague todos los mandos antes de desenchufar. Apague siempre este aparato antes de conectar o desconectar la boquilla motorizada.
21. Apague el interruptor de alimentación antes

- de retirar el depósito de polvo.
22. Retire el aparato de la base de conexión y apague el interruptor de alimentación antes de extraer la batería para deshacerse del aparato.
 23. La batería se debe retirar y desechar de acuerdo con las leyes y normativas locales antes de deshacerse del aparato.
 24. Deseche las baterías usadas de acuerdo con las leyes y normativas locales.
 25. No incinere el aparato aunque esté gravemente dañado. Las baterías pueden explotar en un fuego.
 26. Cuando no utilice la base de conexión, desenchúfela del tomacorriente antes de repararla.
 27. El aparato se debe utilizar de acuerdo con lo indicado en este manual de instrucciones. Ecovacs Home Service Robotics no será responsable de los daños o lesiones causados por un uso inadecuado.
 28. Evite el arranque involuntario. Asegúrese de que el interruptor está en la posición de apagado antes de conectar la batería, recoger o transportar el aparato.
 29. Cuando la batería no esté en uso, manténgala alejada de otros objetos metálicos como clips, monedas, llaves, clavos, tornillos u otros objetos metálicos pequeños, que puedan conectar un terminal a otro. Un cortocircuito entre los terminales de la batería puede provocar quemaduras o un incendio.
 30. En caso de mal uso, puede salir líquido de la batería; evite el contacto con el mismo. En caso de contacto accidental, lavar con agua. Si el líquido entra en contacto con los ojos, acurra además a ayuda médica. El líquido expulsado por la batería puede provocar irritaciones o quemaduras.
 31. No utilice baterías o aparatos dañados o modificados. Las baterías dañadas o modificadas pueden comportarse de forma impredecible que provoque incendios, explosiones o riesgo de lesiones.
 32. No exponga la batería ni el aparato al fuego ni a temperaturas excesivas. La exposición al fuego o a temperaturas superiores a 130°C puede provocar una explosión. La temperatura de 130°C puede sustituirse por la de 265°F.

33. Siga todas las instrucciones de carga y no cargue la batería ni el aparato fuera del intervalo de temperatura especificado en las instrucciones. Una carga inadecuada o a temperaturas fuera del intervalo especificado puede dañar la batería y aumentar el riesgo de incendio.
34. Encargue el mantenimiento a un técnico cualificado que utilice únicamente piezas de repuesto idénticas. Esto garantizará que se mantenga la seguridad del producto.
35. No modifique ni intente reparar el aparato o la batería (según corresponda), excepto en los casos indicados en las instrucciones de uso y cuidado.
36. Coloque los cables de otros aparatos fuera de la zona a limpiar.
37. No utilice la aspiradora en una habitación en la que haya velas encendidas sobre muebles con los que la aspiradora pueda chocar accidentalmente.
38. No permita que los niños se sienten sobre la aspiradora.
39. Utilícela solo como se describe en este manual. Utilice únicamente accesorios recomendados por el fabricante.
40. Recargue solo con el cargador especificado por el fabricante. Un cargador adecuado para un tipo de batería puede crear riesgo de incendio si se utiliza con otro tipo de batería.
41. Utilice los aparatos solo con las baterías específicamente indicadas. El uso de cualquier otra batería puede crear un riesgo de lesiones e incendio.
42. El robot contiene baterías que solo pueden ser sustituidas por personal cualificado. Para sustituir la batería del robot, póngase en contacto con el Servicio de Atención al Cliente.
43. Si el robot no se va a utilizar durante mucho tiempo, cárguelo completamente, apáguelo para guardarlo y desenchufe la base de conexión.
44. Para reducir el riesgo de un choque eléctrico, no lo use sobre superficies húmedas. No lo exponga a la lluvia. Almacenar en interiores.
45. Para reducir el riesgo de lesiones por piezas móviles, desenchúfelo antes de repararlo.
46. Riesgo de lesiones. El cepillo puede arrancar inesperadamente. Desenchúfelo antes de

- proceder a su limpieza o reparación.
47. Para reducir el riesgo de lesiones, el usuario debe leer el manual de instrucciones.
 48. Reducir el riesgo de un choque eléctrico: no usar en exteriores ni sobre superficies húmedas.
 49. Asegúrese de que la tensión de su fuente de alimentación coincide con la tensión marcada en la base de conexión.
 50. No utilice la base de conexión si está dañada.
 51. Antes de proceder a la limpieza o al mantenimiento de la base de conexión, debe desenchufar el cable del tomacorriente.
 52. Interruptor de alimentación: "I"=ENCENDIDO, "O"=APAGADO.
 53. Conectar únicamente a un tomacorriente correctamente puesto a masa. Consulte las instrucciones de conexión a masa.

≡	Corriente continua
~	Corriente alterna

Este dispositivo cumple con las normas de radiación del DHHS, 21CFR Capítulo 1, Subcapítulo J.

Declaración de interferencias de la Comisión Federal de Comunicaciones (FCC)

NOTA: Este equipo ha sido ensayado, hallándose que cumple con los límites establecidos para los dispositivos digitales de Clase B, de conformidad con la Parte 15 de las normas de la FCC.

Estos límites están diseñados para proporcionar una protección razonable contra interferencias perjudiciales en una instalación residencial. Este equipo genera, utiliza y puede irradiar energía de radiofrecuencia y, si no se instala y utiliza de acuerdo con las instrucciones, puede causar interferencias perjudiciales a las comunicaciones por radio.

Sin embargo, no hay garantía de que no se produzcan interferencias en una instalación determinada. Si este equipo sí causa interferencias perjudiciales a la recepción de radio o televisión, lo cual se puede determinar apagando y encendiendo el equipo, se recomienda al usuario que intente corregir la interferencia mediante una o más de las siguientes medidas:

- Reoriente o reubique la antena receptora.

- Aumente la separación entre el equipo y el receptor.
- Conecte el equipo a un tomacorriente en un circuito distinto al que está conectado el receptor.
- Consulte al distribuidor o a un técnico experto en radio/TV para obtener asistencia.

Este dispositivo cumple la Parte 15 de las normas de la FCC. El uso está sujeto a las dos condiciones siguientes:

(1) Este dispositivo no debe causar interferencias perjudiciales, y (2) este dispositivo debe aceptar cualquier interferencia recibida, incluidas las interferencias que puedan causar un funcionamiento no deseado.

Precaución: Los cambios o modificaciones de esta unidad no aprobados expresamente por la parte responsable del cumplimiento podrían anular la autoridad del usuario para utilizar el equipo.

Este dispositivo contiene transmisor(es)/receptor(es) exentos de licencia que cumplen con los RSS(s) exentos de licencia de Innovation, Science and Economic Development (Innovación, Ciencia y Desarrollo Económico) de Canadá. El uso está sujeto a las dos condiciones siguientes:

- (1) Este dispositivo no debe causar interferencias.
- (2) Este dispositivo debe aceptar cualquier interferencia, incluidas las interferencias que puedan causar un funcionamiento no deseado del dispositivo.

Advertencia sobre exposición a RF


Este equipo cumple los límites de exposición a la radiación de la FCC, establecidos para un entorno no controlado.

Este equipo se debe instalar y utilizar de acuerdo con las instrucciones suministradas y la antena o antenas utilizadas para este transmisor se deben instalar a una distancia mínima de 20 cm de toda persona, y no deben colocarse cerca de, ni funcionar conjuntamente con, ninguna otra antena o transmisor.

Precaución MPE (para dispositivos móviles según la Parte 15.247)

Para cumplir los requisitos de exposición a radiofrecuencias de FCC e IC, debe mantenerse una separación de 20 cm o más entre la antena de este dispositivo y las personas durante su funcionamiento.

Para garantizar el cumplimiento de la normativa, no se recomienda operar a menos de esta distancia.

Para desactivar el módulo Wi-Fi de DEEBOT, siga estos pasos: encienda el robot, colóquelo sobre la estación OMNI asegurándose de que los contactos de carga de DEEBOT y de la estación estén correctamente conectados, y mantenga pulsado  durante 30 s hasta que oiga pitidos.

Para habilitar el módulo Wi-Fi en DEEBOT, reinicie el robot. Además, desenchufe y enchufe la estación.

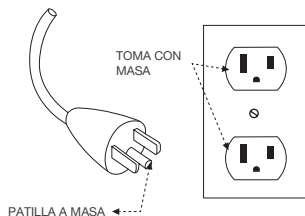
GUARDE ESTAS INSTRUCCIONES

INSTRUCCIONES DE CONEXIÓN A MASA

Este aparato debe estar conectado a masa. En caso de falla de funcionamiento o avería, la conexión a masa proporciona una vía de menor resistencia a la corriente eléctrica para reducir el riesgo de descarga eléctrica. Este aparato está equipado con un cable con conductor de puesta a masa y enchufe con toma de masa. El enchufe debe insertarse en un tomacorriente adecuado que esté correctamente instalado y conectado a masa de acuerdo con todos los códigos y ordenanzas locales.

ADVERTENCIA - Una conexión incorrecta del conductor de puesta a masa del equipo puede constituir un riesgo de descarga eléctrica. Consulte a un electricista o técnico cualificado si tiene dudas sobre si el tomacorriente está correctamente conectado a masa. No modifique el enchufe suministrado con el aparato - si no se adapta al tomacorriente, haga instalar un tomacorriente adecuado por un electricista cualificado.

Este aparato es para uso en un circuito de 120 V nominales y tiene un enchufe con conexión a masa que se parece al enchufe ilustrado en la siguiente imagen. Asegúrese de que el aparato está conectado a un tomacorriente con la misma configuración que el enchufe. No debe utilizarse ningún adaptador con este aparato.



EXCLUSIVAMENTE para uso hogareño en INTERIORES. Este dispositivo contiene transmisor(es)/receptor(es) exentos de licencia que cumplen con los RSS(s) exentos de licencia de Innovation, Science and Economic Development (Innovación, Ciencia y Desarrollo Económico) de Canadá. El uso está sujeto a las dos condiciones siguientes:

- (1) Este dispositivo no debe causar interferencias.
- (2) Este dispositivo debe aceptar cualquier interferencia, incluidas las interferencias que puedan causar un funcionamiento no deseado del dispositivo.

Para cumplir los requisitos de exposición a radiofrecuencias de FCC e IC, debe mantenerse una separación de 20 cm o más entre la antena de este dispositivo y las personas durante su funcionamiento.

Para garantizar el cumplimiento de la normativa, no se recomienda operar a menos de esta distancia.

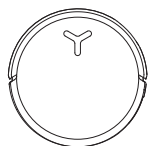
Actualización de dispositivos

En general algunos dispositivos se actualizan cada dos meses, pero no siempre es tan específico.

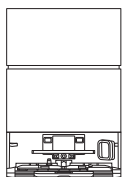
Algunos dispositivos, especialmente los que salieron a la venta hace más de tres años, solo se actualizarán si se encuentra y soluciona una vulnerabilidad crítica.

CONTENIDO DEL PAQUETE

1 Contenido del paquete



DEEBOT



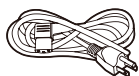
Estación OMNI



Base



Manual de instrucciones



Cable de alimentación



Cantoneras



Solución de limpieza DEEBOT de ECOVACS



Solución de limpieza intensiva de ECOVACS DEEBOT

Nota:

*Se incluye un par de protectores de esquinas para aumentar la seguridad del usuario y mejorar la comodidad de manejo. Para montarlos: alinee la ranura interior del protector de esquinas con el borde y presiónelo hasta que encaje en su sitio. Compatible con todos los diseños de esquinas DEEBOT.

*Las figuras de este manual son solo para referencia y pueden diferir del aparato. El diseño y las especificaciones del producto están sujetos a cambios sin previo aviso.

2 Diagrama del producto

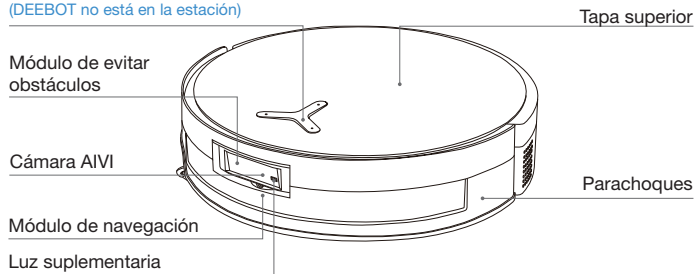
1. Vista frontal del DEEBOT

Botones del DEEBOT:

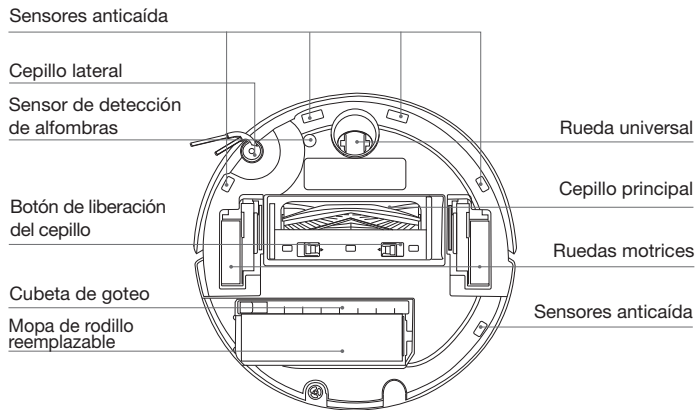
Pulsar: conmutar inicio/pausa

Pulsar durante 3 s: volver a la estación

Touchar dos veces rápidamente: soltar/retraer la mopa (DEEBOT no está en la estación)



2. Vista inferior del DEEBOT

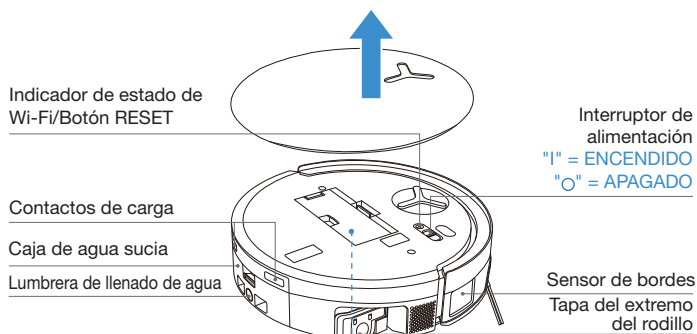


3. Dentro de DEEBOT (bajo la cubierta superior)

Botón RESET

Configuración de la red: Pulse el botón RESET, y se oirá un aviso de voz para conectar DEEBOT a la aplicación.

Restablecer la configuración predeterminada: Mantenga pulsado el botón RESET durante 5 segundos. Después de escuchar el mensaje de voz, se oirá la música de inicio y DEEBOT se restaurará a su configuración predeterminada. Tenga cuidado al utilizar esta función.

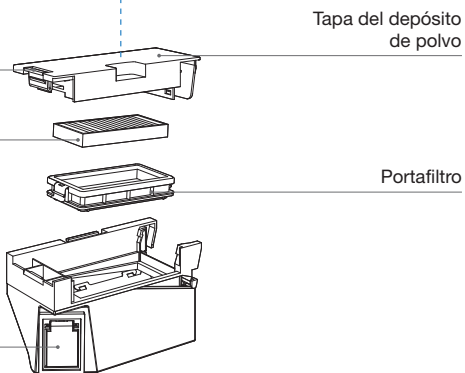


4. Depósito de polvo

Pestillo del filtro

Filtro

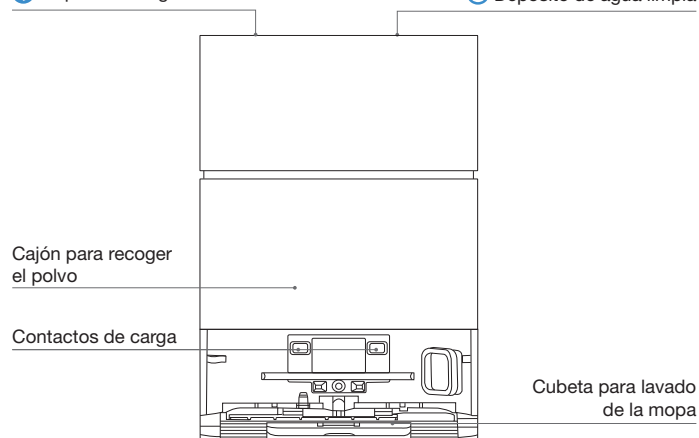
Lumbrera de eliminación de polvo



5. Vista frontal de la estación OMNI

Depósito de agua sucia

Depósito de agua limpia

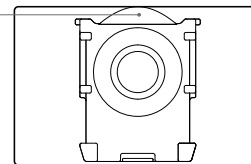


Nota:

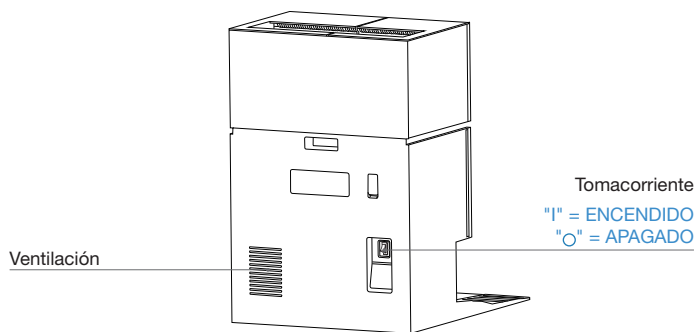
- Naranja intermitente: compruebe la causa de la falla de funcionamiento en la aplicación ECOVACS HOME.
- Si el DEEBOT no se carga, limpie los contactos de carga con un paño limpio y seco.

6. Bolsa para polvo

Asa de bolsa para polvo



7. Vista posterior de la estación OMNI



8. Indicador luminoso del DEEBOT

Efecto luminoso	Estado
Parpadea blanco	Cargando
Blanco permanente	Completamente cargado/en funcionamiento
Rojo permanente	Batería baja
Rojo intermitente	Alarma DEEBOT
Naranja intermitente	Alarma de estación

9. Sensores

Nombre	Descripción funcional
Módulo de navegación	La telemetría por láser se aplica para medir la distancia entre el DEEBOT y los objetos circundantes basándose en la diferencia de tiempo de la reflexión, lo cual permite al módulo trazar un mapa de los objetos circundantes mientras el DEEBOT se mueve. El alcance de detección es de 10 m.
Módulo de evitar obstáculos	Para medir la distancia entre los objetos circundantes y el DEEBOT, se aplica la telemetría por infrarrojos y triángulos similares. Cuando el sensor detecta un objeto cercano, DEEBOT gira automáticamente para evitar chocar con el mismo. El alcance de detección es de 0,3 m.
Sensores anticaída	Utilizando el principio del tiempo de vuelo (dToF), el sensor dToF situado en la parte inferior del DEEBOT mide continuamente la distancia entre el DEEBOT y el suelo. Mientras tanto, los sensores de infrarrojos de la parte inferior detectan la distancia usando tecnología de telemetría por infrarrojos. El DEEBOT no avanzará cuando haya escaleras delante (como cuando la altura de la superficie blanca es de 55 mm o más, o la altura de la superficie negra es de 30 mm o más) y la altura identificada supere la preestablecida, ejecutando la función anti-caída.
Sensor de detección de alfombras	El sensor emite ultrasonidos de 300 kHz, cuya energía será absorbida por la alfombra, provocando que la energía del eco sea inferior al umbral. DEEBOT detecta así la presencia de la alfombra. En el laboratorio ECOVACS se identifican más de 50 tipos de alfombras disponibles en el mercado.
Sensor anticolisión	Aplicando el principio del interruptor optoacoplado, DEEBOT evitará los obstáculos cuando esté a punto de chocar.
Sensor de bordes	Con telemetría por infrarrojos, el sensor de bordes detecta la distancia entre el DEEBOT y los objetos laterales. Cuando hay una pared u obstáculos a la derecha, el DEEBOT realiza una limpieza de los bordes para no perderse ningún punto y evitar choques.
Cámara AIVI	Utiliza cámaras con IA para tomar imágenes del entorno. Realiza grabaciones de video. Mediante la interacción con el MIC (micrófono), se puede realizar una videollamada remota.
Micrófono	El micrófono capta el sonido a través de las vibraciones del diafragma, provocadas por la voz humana, que se desplazan por el aire. Esto permite la grabación de voz y el control por voz para dirigir al DEEBOT para que complete el trabajo asignado a través de la adquisición y los algoritmos de modelos de sonido. La distancia efectiva de estela es de 5 m.

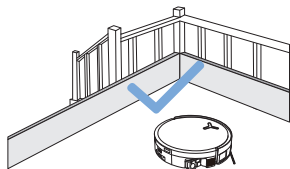
CONFIGURACIÓN Y USO INICIALES

1 Notas antes de la limpieza



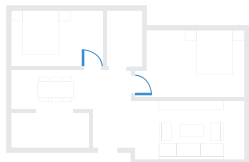
Ordene la zona a limpiar

Para obtener la máxima superficie de limpieza posible, coloque los muebles como mesas, sillas y ventiladores de pie, en su sitio, y aparte los objetos bajos, como básculas, antes de utilizar el DEEBOT.



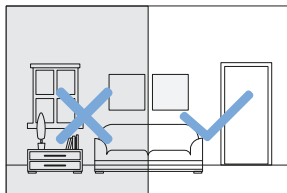
Evite que DEEBOT se caiga

Coloque una barrera física en el borde de un desnivel, como escaleras y escalones, para impedir que el DEEBOT caiga por el borde.



Abra puertas y ayude a DEEBOT a

explorar
Abra todas las puertas de las habitaciones para ayudar a DEEBOT a explorar completamente su casa durante el primer uso.



Proporcione iluminación suficiente

Asegúrese de que todas las áreas a limpiar estén bien iluminadas para ayudar a la cámara de IA de DEEBOT a evitar con precisión obstáculos como zapatos, calcetines y cables.



Retire del suelo objetos como cables, ropa y zapatillas, para mejorar la eficacia de la limpieza.



Antes de utilizar el producto en una alfombra con flecos, doble los flecos por debajo de la alfombra.



No se pare en espacios estrechos, como pasillos, para evitar bloquear el módulo de navegación.



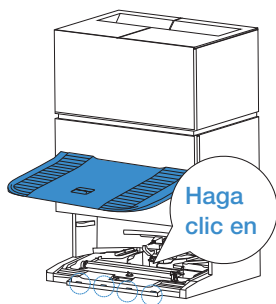
Garantice la claridad de visión de DEEBOT y evite rayar o manchar la lente de la cámara AI con huellas dactilares o manchas de aceite. Utilice un paño limpio y suave para limpiar la cámara, en lugar de productos de limpieza, detergentes o aerosoles.

2 Inicio rápido

Retire todos los materiales de protección antes de utilizar el aparato.

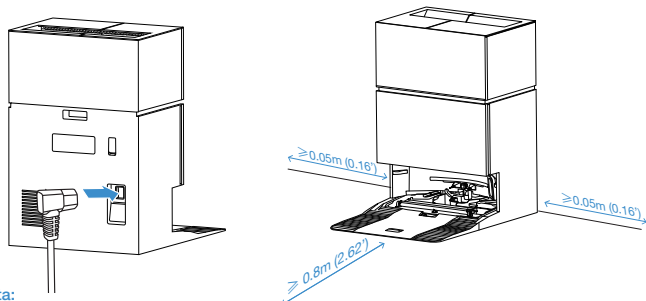
1. Instalación de la estación

El sonido "clic" indica una instalación correcta.



2. Montaje y colocación de la estación

Coloque la estación OMNI contra la pared sobre una superficie plana y dura. No coloque objetos a menos de 0,05 m a cada lado y 0,8 m por delante.



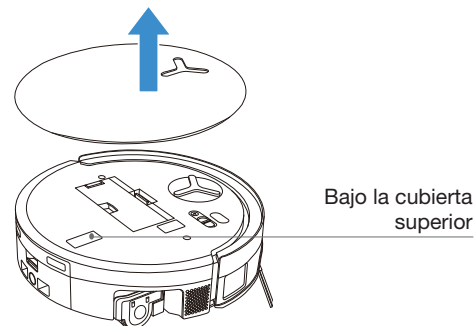
Nota:

- Si hay objetos reflectantes, como espejos y zócalos reflectantes, cerca de la estación, deben cubrirse los 14 cm inferiores de dichos objetos.
- No coloque la estación bajo la luz solar directa ni en entornos a alta temperatura.
- Coloque la estación en un lugar con una señal Wi-Fi potente para mejorar la experiencia del usuario.

3 Descargar la aplicación ECOVACS HOME

Para disfrutar de todas las funciones disponibles, se recomienda controlar su DEEBOT a través de la aplicación ECOVACS HOME.

Escanee el código QR situado bajo la cubierta superior para descargar la aplicación.





O busque "ECOVACS HOME" en App Store o Google Play para descargar la aplicación.



Nota: Siga las instrucciones de la aplicación para completar el registro, el inicio de sesión y la conexión.

4 Conectar DEEBOT con la aplicación

Vía Bluetooth: Encienda el DEEBOT y el Bluetooth de su teléfono móvil. Permita que la aplicación obtenga el permiso Bluetooth del teléfono móvil. Toque para escanear el código QR en DEEBOT o toque  o  en la aplicación para encontrar el DEEBOT más cercano.


Vía Wi-Fi: También puede elegir conectar DEEBOT con la aplicación a través de otros métodos según las indicaciones de la página de la aplicación.

Nota: conéctese por Bluetooth para obtener una mejor experiencia.

Requisitos de la red Wi-Fi:


- Está utilizando una red mixta de 2,4 GHz o 2,4/5 GHz.
- Su router admite 802.11b/g/n y el protocolo IPv4.
- No utilice una VPN (red privada virtual) ni un servidor proxy.
- No utilice una red oculta.
- WPA y WPA2 con cifrado TKIP, PSK, AES/CCMP.
- WEP EAP (Enterprise Authentication Protocol) no es compatible.
- Utilice los canales de Wi-Fi 1-11 en Norteamérica y los canales 1-13 fuera de Norteamérica (consulte al organismo regulador local).
- Si utiliza un extensor/repetidor de red, el nombre de la red (SSID) y la contraseña son los mismos que los de su red principal.
- Active el WPA2 en su enrutador.

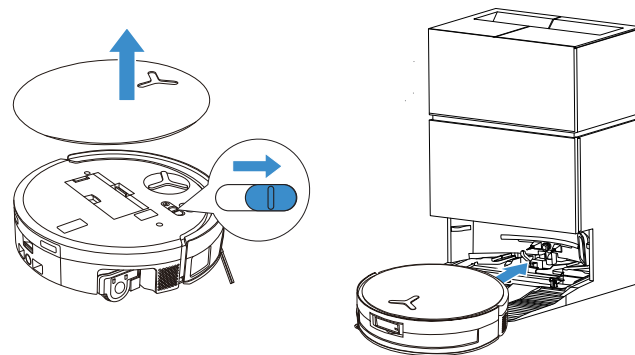
Indicador luminoso de Wi-Fi

	Luz blanca intermitente lenta	Desconectado de Wi-Fi
	Luz blanca intermitente rápida	Conectando
	Luz blanca estable	Conectado a Wi-Fi

Tenga en cuenta que para las funciones inteligentes como puesta en marcha remota, interacción por voz, visualización de mapas 2D/3D y los ajustes de control, así como la limpieza personalizada (dependiendo del aparato), se necesita la aplicación ECOVACS HOME App que se actualiza constantemente. Debe aceptar nuestra Política de privacidad y el Acuerdo de usuario para que podamos procesar parte de su información esencial y necesaria antes de que pueda utilizar determinadas funciones de la aplicación ECOVACS HOME para controlar el aparato. Si no está de acuerdo con nuestra Política de privacidad y el Acuerdo de usuario, dichas funciones no estarán disponibles. No obstante, puede seguir utilizando las funciones básicas de este aparato en uso manual.

5 Encender y cargar el DEEBOT

Accionar el interruptor de alimentación situado bajo la tapa del DEEBOT ('I' = ENCENDIDO, " = APAGADO), y colocar el DEEBOT delante de la estación conectada a la red eléctrica. Utilice la aplicación ECOVACS HOME o el control por voz para llamar a DEEBOT, o mantenga pulsado  en DEEBOT durante 3 s, para permitir que DEEBOT se acople para cargarse.

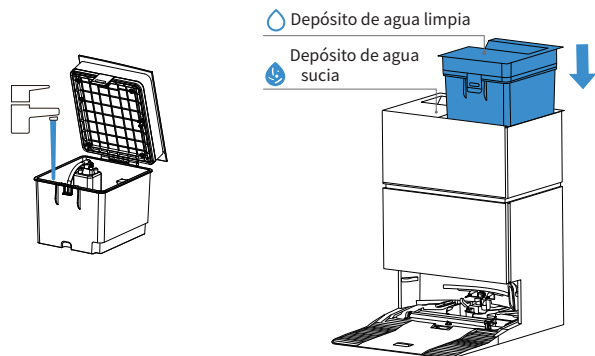


Nota:

- El DEEBOT no se puede cargar cuando está apagado.
- Después de la limpieza, se recomienda mantener el DEEBOT encendido y cargando para asegurarse de que esté listo para la siguiente sesión de limpieza.
- Inicie la limpieza desde la estación. No mueva la estación durante la limpieza.

6 Llenar el depósito de agua limpia

Saque el depósito de agua limpia, abra la tapa del depósito y llénelo de agua. Cierre la tapa del depósito y vuelva a montar el depósito de agua limpia.

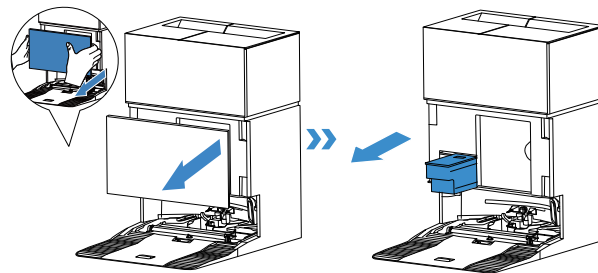


Nota:

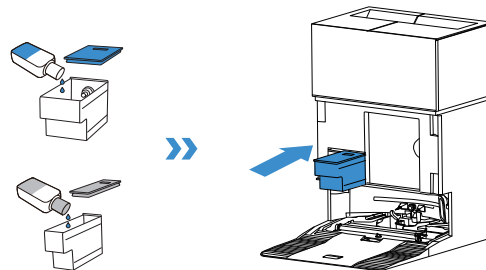
- Utilice únicamente la solución de limpieza ECOVACS DEEBOT para evitar fallas de funcionamiento.
- Limpie la superficie del depósito con un paño limpio y seco antes de colocarlo en su posición.
- Asegúrese de cerrar bien las tapas superiores de ambos depósitos de agua antes del uso.
- Las marcas de agua en los depósitos de agua se producen durante las pruebas de funcionamiento. Utilícelo con confianza.

7 Añadir solución de limpieza

1. Retire la tapa del cajón para recoger el polvo, extraiga las dos cajas de solución de limpieza y colóquelas sobre una superficie plana y dura.



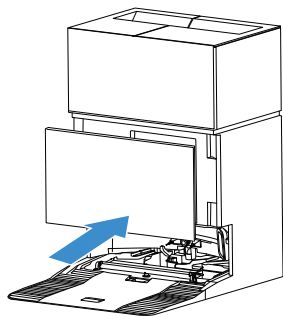
2. Retire la tapa del depósito de solución de limpieza y extraiga las dos cajas de solución de limpieza. Vierta la solución de limpieza estándar en la caja azul y la solución de limpieza para trabajos pesados en la caja negra. Después de asegurar las tapas de las cajas, vuelva a introducir las en la estación y cierre la tapa del depósito.



Nota:

- No vierta solución de limpieza en el depósito de agua limpia. En su lugar, viértala en el depósito de la solución de limpieza. De lo contrario, una proporción incorrecta puede provocar una formación excesiva de espuma y reducir la eficacia de la limpieza.

3. Vuelva a colocar la tapa del cajón para recoger el polvo y presione firmemente la tapa para fijarla en su posición.



Nota:

- Para un mejor rendimiento y una mayor vida útil del producto, utilice la solución de limpieza ECOVACS DEEBOT.
- Asegúrese de que no caigan objetos extraños en la caja de la solución de limpieza.

8 Usar DEEBOT para limpiar

1. Inicio de la cartografía


Al crear un mapa por primera vez, siga a DEEBOT para ayudar con algunos problemas menores.

Por ejemplo, DEEBOT puede quedarse atascado debajo de muebles. Consulte las siguientes soluciones:


- ① Levante los muebles bajos si es posible;
- ② Cubra la parte inferior de los muebles;
- ③ Establezca un límite virtual por medio de la aplicación.

2. Iniciar la limpieza


- El depósito de agua del DEEBOT se rellena automáticamente por medio de la estación. No es necesario rellenar manualmente.
- Al fregar, DEEBOT reconoce los tipos de suelo y es capaz de levantar las mopas automáticamente cuando encuentra alfombras. No utilice DEEBOT en alfombras de pelo largo o alfombras con fibras de más de 10 mm de largo. Se recomienda plegar las alfombras de pelo largo con fibras de más de 10 mm durante el proceso de limpieza, o definir las zonas con alfombras de pelo largo como de entrada prohibida fijando un límite virtual en la aplicación ECOVACS HOME.

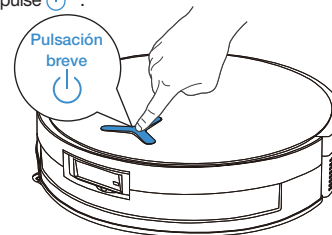
Asegúrese de que DEEBOT esté en la estación y completamente cargado antes de limpiarlo por primera vez. Pulse  en DEEBOT para empezar. También puede utilizar la aplicación ECOVACS HOME o el control por voz para empezar.

3. Pausa


Pulse  en DEEBOT para pausarlo mientras está trabajando. También puede utilizar la aplicación ECOVACS HOME o el control por voz para pausar el DEEBOT.

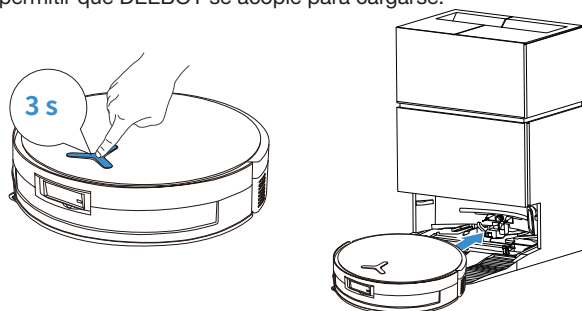
4. Despertar

Después de una pausa, todas las luces indicadoras del DEEBOT se apagarán. Para despertar a DEEBOT, pulse .



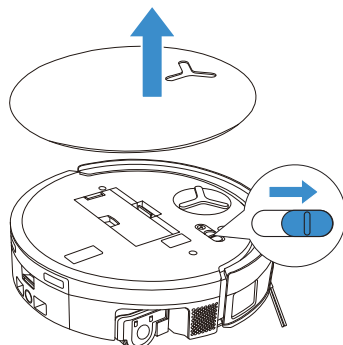
5. Volver a la estación

Utilice la aplicación ECOVACS HOME o el control por voz para llamar a DEEBOT, o mantenga pulsado el botón  de DEEBOT durante 3 s para permitir que DEEBOT se acople para cargarse.



6. Modo de sueño profundo

DEEBOT entrará en modo de sueño profundo si permanece fuera de la estación durante unas 10 h para proteger la batería. Apague y encienda para despertar a DEEBOT.



Cuando PowerBoost Charging está activado, DEEBOT se cargará rápidamente durante unos 5 minutos después de volver a la estación. A continuación, pasará a la carga estándar y se detendrá automáticamente una vez cargado por completo.

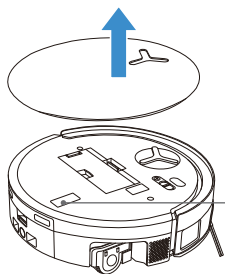
ESPECIFICACIONES TÉCNICAS

Modelo	DEX99-1		
Entrada nominal	16,4 V === 3 A	Entrada de carga rápida	16,4 V === 9,5 A
Tiempo de carga	Aproximadamente 4,0 h		
Modelo de estación	CH24C0		
Entrada nominal	110-120 V ~ 50-60 Hz		
Salida de carga nominal	16,4 V === 3 A	Salida de carga rápida (corta duración)	16,4 V === 9,5 A
Corriente nominal de entrada (carga)	2,5 A	Potencia (Vaciado)	4,5 A
Potencia (mopa de lavado con agua caliente)	14 A		

La potencia de salida del módulo inalámbrico es inferior a 100 mW.

Nota: las especificaciones técnicas y de diseño pueden ser modificadas para mejorar continuamente el producto.

Explore más accesorios en <https://www.ecovacs.com>.



Utilice la cámara del móvil para escanear el código QR y obtener la guía del usuario.

Ecovacs Home Service Robotics Co., Ltd.
No.518 Songwei Road, Wusongjiang Industry Park, Guoxiang Street,
Wuzhong District, Suzhou, Jiangsu, China.

451-24A3-1017

