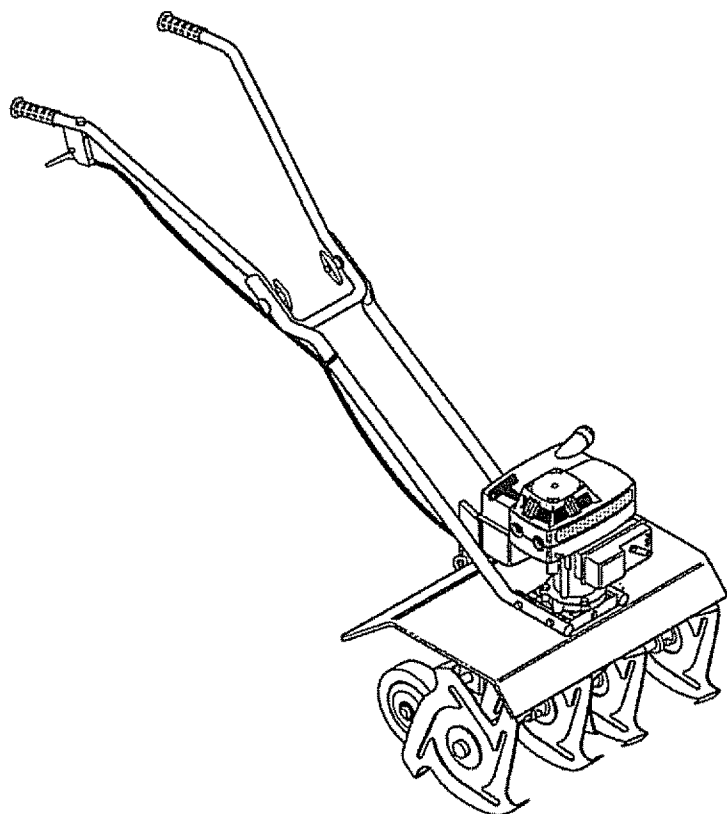


CRAFTSMAN®

32.8 cc 2-cycle
10 Inch Tines
CULTIVATOR/TILLER

MODEL NO.
536.797502



Caution:
Read and follow all Safety
Rules and Operating
Instructions before first use
of this product.

SEARS, ROEBUCK AND CO., Hoffman Estates, IL 60179 U.S.A.

710833 06/25/97

SAFETY

ASSEMBLY

OPERATION

MAINTENANCE

PARTS LIST

ESPAÑOL

TABLE OF CONTENTS

Table of Contents	2	Service and Adjustments	13-14
Warranty	2	Storage	14-15
Safety Rules	2-3	Troubleshooting	15
Contents of Shipping Carton	4	Edger Repair Parts	16-19
Assembly	4-6	Engine Repair Parts	20-23
Operation	7-10	Spanish (Español)	24-39
Maintenance	11-12	Parts Ordering/Service	Back Cover

WARRANTY STATEMENT

LIMITED ONE-YEAR WARRANTY ON CRAFTSMAN CULTIVATOR/TILLER

For one year from the date of purchase, when this Craftsman cultivator/tiller is maintained, lubricated, and tuned up according to the operating and maintenance instructions in the owner's manual, Craftsman will repair, free of charge, any defect in material or workmanship.

This warranty excludes tine(s), spark plug, and air cleaner which are expendable parts and become worn during normal use.

If this Craftsman cultivator/tiller is used for commercial or rental purposes, this warranty applies for only 30 days from the date of purchase. This warranty applies only while this product is in use the United States. **WARRANTY SERVICE IS AVAILABLE BY RETURNING THE CULTIVATOR TO THE NEAREST CRAFTSMAN SERVICE CENTER IN THE UNITED STATES.**

This warranty gives you specific legal rights, and you may also have other rights which vary from state to state.

SEARS, ROEBUCK AND CO., D817WA, Hoffman Estates, IL 60179



SAFETY RULES



⚠ Look for this symbol to point out important safety precautions. It means --- ATTENTION!!! Become alert!!! Your safety is involved.

⚠ CAUTION: Always disconnect spark plug wire and place wire where it cannot contact spark plug to prevent accidental starting when setting-up, transporting, adjusting or making repairs.

IMPORTANT: Safety standards require operator presence controls to minimize the risk of injury. Your cultivator/tiller is equipped with such controls. Do not attempt to defeat the function of the operator presence control under any circumstances.

BEFORE USE

- Read the owner's manual carefully. Be thoroughly familiar with the controls and the proper use of the cultivator/tiller. Know how to stop the cultivator and disengage the controls quickly.
- Do not operate the cultivator/tiller without wearing adequate outer garments. Wear footwear that will improve footing on slippery surfaces.

- Keep the area of operation clear of all persons, particularly small children and pets.
- Thoroughly inspect the area where the cultivator/tiller is to be used and remove all foreign objects.

FUEL SAFETY

- Handle fuel with care; it is highly flammable.
- Use an approved container.
- Check fuel supply before each use, allowing space for expansion as the heat of the engine and/or sun can cause fuel to expand.
- Fill fuel tank outdoors with extreme care. Never fill fuel tank indoors. Replace fuel tank cap securely and wipe up spilled fuel.
- Never remove the fuel tank cap or add fuel to a running or hot engine.
- Never store fuel or cultivator with fuel in

the tank inside a building where fumes may reach an open flame.

OPERATING SAFETY


- Never allow children or young teenagers to operate the cultivator/tiller. Keep them away while it is operating. Never allow adults to operate the cultivator/tiller without proper instruction.
- Do not operate this machine if you are taking drugs or other medication which can cause drowsiness or affect your ability to operate this machine.
- Do not use this machine if you are mentally or physically unable to operate this machine safely.
- Always wear safety glasses or eye shields during operation or while performing an adjustment or repair to protect your eyes from foreign objects that may be thrown from the cultivator/tiller.
- Do not put hands or feet near or under rotating parts.
- Exercise extreme caution when operating on or crossing gravel drives, walks, or roads. Stay alert for hidden hazards or traffic.
- Exercise caution to avoid slipping or falling.
- Never operate the cultivator/tiller without proper guards, plates, or other safety protective devices in place.
- Never operate the cultivator/tiller at high transport speeds on slippery surfaces. Look behind and use care when backing.
- Never allow bystanders near the cultivator.
- Keep children and pets away while operating.
- Never operate the cultivator/tiller without good visibility or light.
- Do not run the engine indoors. The exhaust fumes are dangerous, containing CARBON MONOXIDE, an ODORLESS and DEADLY GAS.
- Take all possible precautions when leaving the cultivator/tiller unattended. Stop the engine.
- Do not overload the cultivator/tiller capacity by attempting to till too deep at too fast a rate.


SAFE STORAGE

- Always refer to the owner's manual instructions for important details if the cultivator/tiller is to be stored for an extended period.
- Never store the cultivator/tiller with fuel in the fuel tank inside a building where ignition sources are present such as water and space heaters, clothes dryers, and the like. Allow the engine to cool before storing in any enclosure.
- Keep the cultivator in safe working condition. Check all fasteners at frequent intervals for proper tightness.

REPAIR/ADJUSTMENTS SAFETY

- After striking a foreign object, stop the engine. Remove the wire from the spark plug, and keep the wire away from the plug to prevent accidental starting. Thoroughly inspect the cultivator/tiller for any damage, and repair the damage before restarting and operating it.
- If cultivator/tiller should start to vibrate abnormally, stop engine and check immediately for the cause. Vibration is generally a warning of trouble.
- Stop the engine whenever you leave the operating position. Also, disconnect the spark plug wire before unclogging the tines and when making any repairs, adjustments, or inspections.
- When cleaning, repairing, or inspecting, shut off the engine and make certain all moving parts have stopped.
- Never attempt to make any adjustments while the engine is running except when specifically recommended by the manufacturer.

 **WARNING:** The engine exhaust from this product contains chemicals known to the State of California to cause cancer, birth defects or other reproductive harm.

 **WARNING:** This unit is equipped with an internal combustion engine and should not be used on or near any unimproved forest-covered, brush-covered or grass-covered land unless the engine's exhaust system is equipped with a spark arrester meeting applicable local or state laws (if any). If a spark arrester is used, it should be maintained in effective working order by the operator.

In the state of California the spark arrester is required by law (Section 4442 of the California Public Resources Code). Other states may have similar laws. Federal laws apply

on federal lands. A spark arrester/muffler is available through your nearest Craftsman Authorized Service Center (See REPAIR PARTS section in this manual).

Contents of Parts Bag (shown full size)



1 - Tie Strap

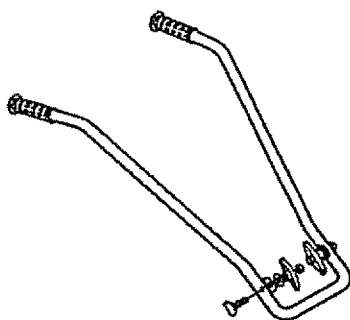


1 - 10-16 x 1-1/2 Inch
Washer Head Tap Screw

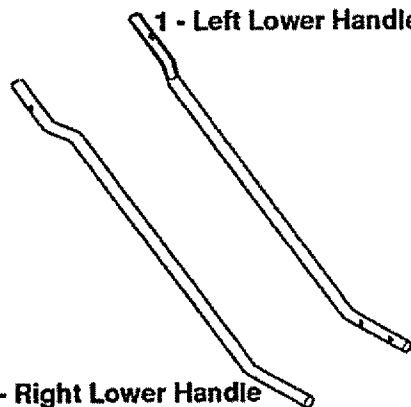
Parts packed separately in carton (not shown full size)



1 - 5.3 Ounce 2-cycle Oil



1 - Upper Handle



1 - Right Lower Handle

- 1 - Owner's Manual (not shown)
- 1 - Parts Bag (not shown)

ASSEMBLY

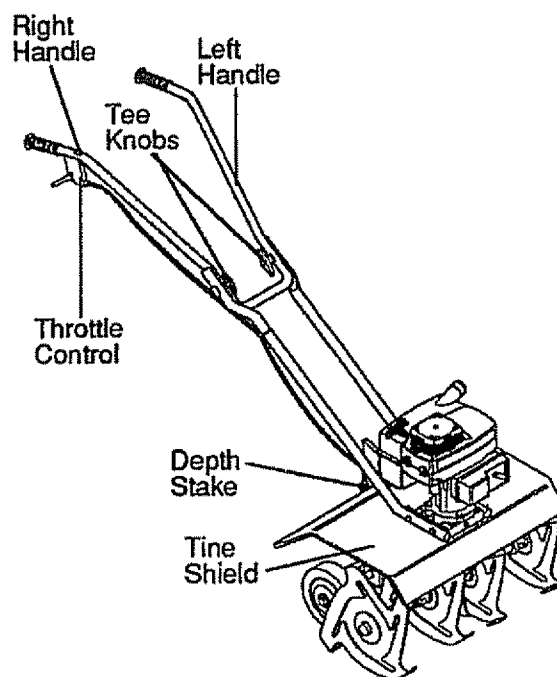
⚠ CAUTION: Always wear safety glasses or eye shields while assembling the Craftsman cultivator/tiller.

TOOLS REQUIRED FOR ASSEMBLY

- 1 - 5/16 inch Wrench
(or adjustable wrench or a regular screwdriver)
- 2 - 7/16 inch Wrenches
(or adjustable wrenches)
- 1 - Pair Scissors
- 1 - Hammer

The figure to the right shows the cultivator/tiller completely assembled.

References to the right or left hand side of the cultivator /tiller are from the viewpoint of the operator's position behind the unit.



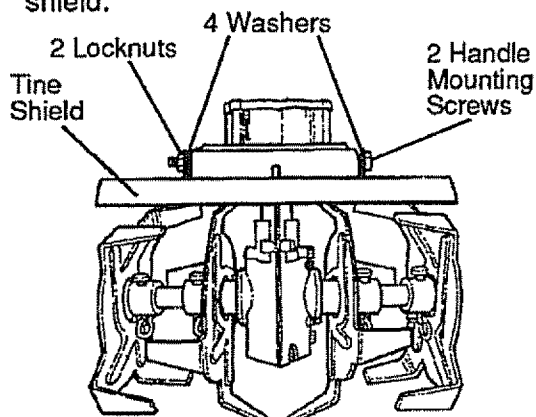
TO REMOVE CULTIVATOR/TILLER FROM CARTON

- Remove the plastic parts bag from the carton.
- Remove the handles from the carton.
- Remove packing insert from carton.
- Lift the cultivator /tiller out of the carton and place on a hard level surface.
- Remove packing material from around tines.

TO INSTALL THE HANDLE ASSEMBLY

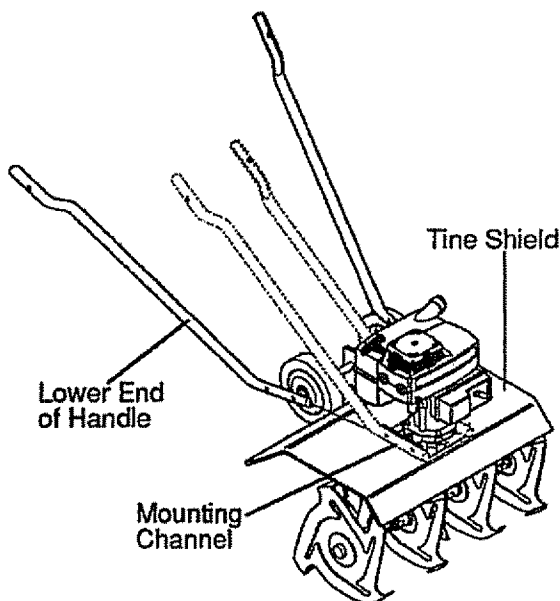
The lower handles have a short bend at the bottom end and are flattened at the top to allow the upper handle to be placed between the lower handles. To assemble the handles, do the following:

- Unwind the throttle cable and control from around the engine and straighten the cable. Be careful you do not kink the cable.
- Remove two locknuts, four washers and two handle mounting screws from the tine shield.

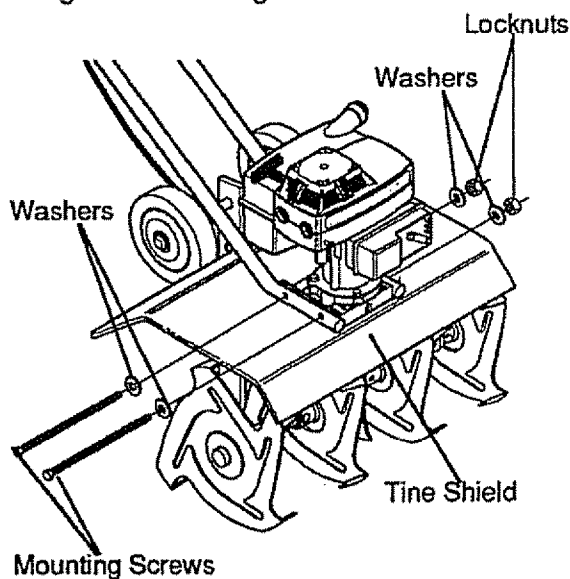


Front View

- Insert the right side lower handle section into the mounting channel between the tine shield and the engine casting. See above right.
- Position the left side lower handle section into the mounting channel between the tine shield and the engine casting. Align the holes in the handle with the engine casting and the tine shield, then push the mounting screws completely through the engine casting, handle and tine shield. Install a washer onto the mounting screws and secure the lower handle sections using two locknuts previously removed. See last figure on this page. Finger tighten the locknuts at this time.



NOTE: To allow proper mounting of the upper handle section be sure the flat portion of the lower handles are facing inward. Push the mounting screws through the tine shield, handle and approximately half way into the engine casting. Be sure a washer is on each mounting screw. See lower right. It may be necessary to rotate the lower handle to align the mounting holes.



- Remove hardware from upper handle assembly as seen on next page.
- Place the upper handle between the lower handles and secure with two curved head carriage bolts, two formed washers, two 11/32 inch flatwashers and two tee knobs on the inside of the handle.

Finger tighten only.

- Using two 7/16 inch wrenches, tighten the locknuts on the screws in the lower ends of the lower handles just enough to hold the lower handles firmly in place.

IMPORTANT: Overtightening the screws enough to change the shape of the handles can result in damage to the engine casting.

- Tighten the handle hardware by holding the curved head carriage bolt against the outside of the lower handle while tightening the tee knobs securely.

TO INSTALL THE THROTTLE CONTROL ASSEMBLY

- Place a No. 10 x 1-1/2 inch hex head screw down through the hole in the upper handle right side and with a 5/16 wrench or a regular screwdriver attach the throttle control to the underside of the handle. See figure on this page.
- Attach the throttle cable to the right lower handle by threading a tie strap through the hole in the lower handle and around the throttle cable on the outside of the handle.
- Thread the pointed end of the strap through the other (square) end of the strap and pull tight around the throttle cable and lower handle.

NOTE: One side of the tie strap is rough, while the other side is smooth. The rough side must be on the inside of the loop formed when the ends of the tie strap are put together.

- Try to loosen the tie strap. If it will loosen, it has been put together incorrectly with the smooth side to the inside of the loop. Remove the tie strap and reverse the direction.
- Cut off excess strap.

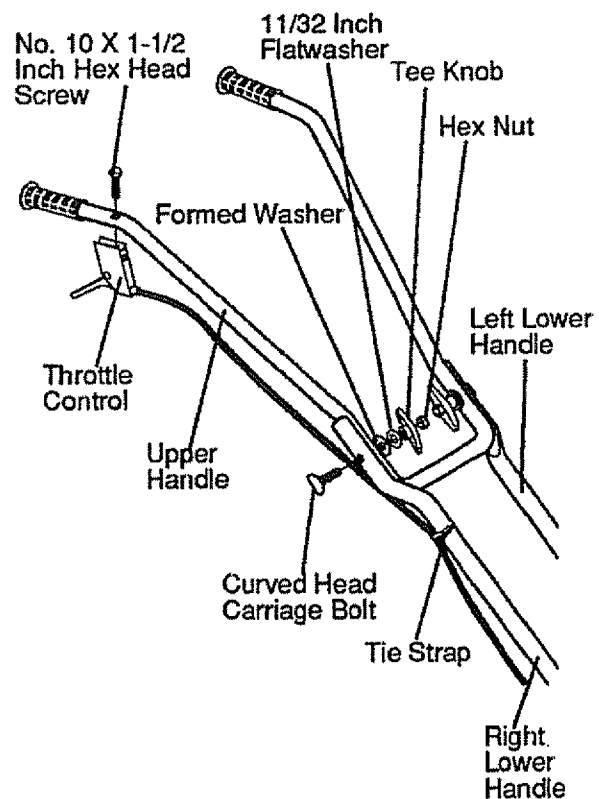
✓ CHECKLIST

Before you operate and enjoy your new CRAFTSMAN CULTIVATOR/TILLER, to ensure that you receive the best performance and satisfaction from this quality product, please review the following checklist:

- ✓ All assembly instructions have been completed.
- ✓ No remaining loose parts in carton.
- ✓ All fasteners have been properly installed and tightened.

While learning how to use your CRAFTSMAN CULTIVATOR/TILLER, pay extra attention to the following important items:

- ✓✓ Fuel tank is filled with correct gasoline and oil mixture.
- ✓✓ Become familiar with the location and function of all controls. Operate controls before starting engine.



OPERATION

KNOW YOUR CULTIVATOR/TILLER

READ THIS OWNER'S MANUAL AND SAFETY RULES **BEFORE** OPERATING YOUR CRAFTSMAN CULTIVATOR/TILLER. Compare the illustrations with your cultivator/tiller to familiarize yourself with the location of various controls and adjustments. Save this manual for future reference.

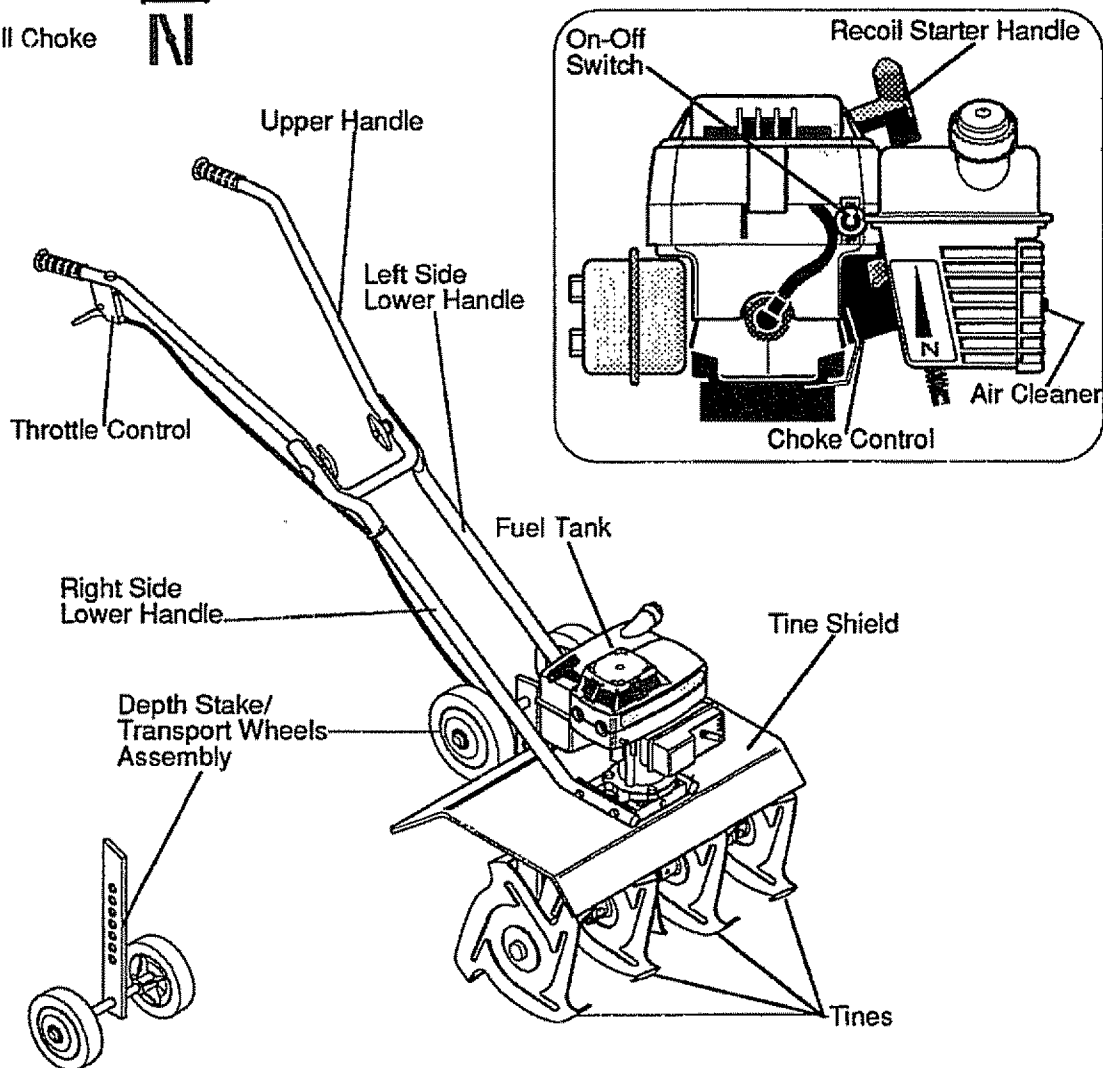
Choke Off

Half Choke

Full Choke



Stop



Throttle Control – Controls the engine speed and the tine rotation. This cultivator/tiller is equipped with a centrifugal clutch that engages the tine drive system when the engine speed is increased.

Choke Control Lever -- Used to assist in starting a cold engine.

On-Off Switch – ON - Allows the unit to be started. OFF - Stops the engine and keeps the unit from being started.

Recoil Starter Handle – The engine on this cultivator/tiller is equipped with an easy pull recoil starter.

Depth Stake/Transport Wheels Assembly – Used (with wheels up) when cultivating/tilling to adjust the depth of the cut. It also acts as a brake to help the operator control the direction and speed of the unit.

The depth stake/transport wheel assembly (with wheels down) can be used for transporting the unit.

HOW TO USE YOUR CULTIVATOR/TILLER

⚠ WARNING: The operation of this cultivator/tiller can result in foreign objects being thrown into the eyes, which can cause severe eye damage. Always wear safety glasses or eye shields while operating the unit.

We recommend standard safety glasses or Wide Vision Safety Mask for over your glasses.

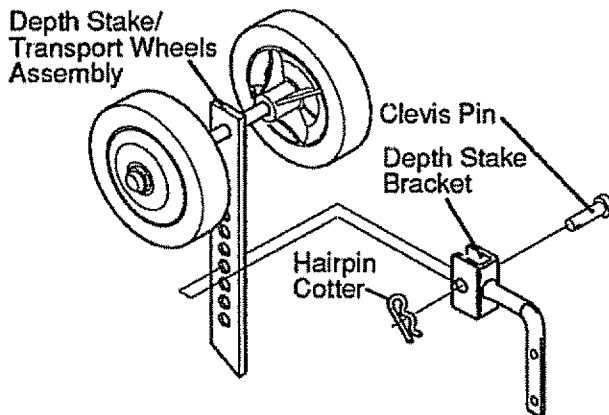
TO STOP CULTIVATOR/TILLER

- Release the throttle control to stop the tines.
- Move the on-off switch on the engine to the OFF position.

OPERATE CULTIVATOR/TILLER

Set the depth stake/transport wheels assembly to the desired tilling position as follows:

- Remove the hairpin cotter from the clevis pin securing the depth stake. Remove the clevis pin and adjust the depth stake upward to dig shallower or downward to dig deeper. Reinstall the clevis pin and hairpin cotter.



- Start the engine, tilt the unit back on the depth stake until the tines are off the ground and squeeze the throttle control all the way up against the hand grip. The engine is governor controlled and should be run at full throttle.
- Grasp the handles firmly and slowly tilt the unit forward to begin the tilling action.
- As the tines begin to make contact with the ground, hold back on the handles so that the tines will dig and not ride forward over the ground. Hold back until the tines dig into the soil.

- If the tilled depth is too deep or too shallow, turn off the engine and reset the depth stake.
- If depthstake is not controlling forward action, lower the depth stake. If the unit is not going forward, raise the depth stake.

⚠ CAUTION: Keep away from the rotating tines. Rotating tines can cause injury.

BEFORE STARTING ENGINE

FILL GAS

The two cycle engine used on this cultivator requires a mixture of gasoline and oil for lubrication of the bearings and other moving parts. The correct fuel mixture ratio is 24:1 (see Fuel Mixture Chart). Gasoline and oil must be premixed in a clean gasoline container. Always use fresh, clean unleaded gasoline.

⚠ CAUTION: Gasoline is flammable and caution must be used when handling or storing it. Do not fill fuel tank while cultivator/tiller is running, hot, or when it is in an enclosed area. Keep fuel away from open flame and electrical spark. **DO NOT SMOKE** while mixing fuel or filling the fuel tank. Never fill fuel tank completely, but fill it to within 1/4 - 1/2 inch from the top to provide space for expansion of fuel. Always fill fuel tank outdoors and use a funnel or spout to prevent spilling. Make sure to wipe up any spilled fuel before starting the engine.

Store gasoline in a clean, approved container, and keep the cap in place on the container. Keep gasoline in a cool, well-ventilated place, never indoors. To assure volatility, never buy more than a 30 day supply of gasoline. Gasoline is intended to be used as a fuel for internal combustion engines; therefore, do not use gasoline for any other purpose. Since many children like the smell of gasoline, keep it out of their reach because the fumes are dangerous to inhale, as well as being explosive.

⚠ WARNING: Experience indicates that alcohol blended fuels (called gasohol or using ethanol or methanol) can attract moisture which leads to separation and formation of acids during storage. Acidic gas can damage the fuel system of an engine while in storage. To avoid engine problems, the fuel system should be emptied

before storage for 30 days or longer. Drain the gas tank, start the engine and let it run until the fuel lines and carburetor are empty. Use fresh fuel next season. See Storage Instructions for additional information. Never use engine or carburetor cleaner products in the fuel tank or permanent damage may occur.

GASOLINE AND OIL MIXTURE

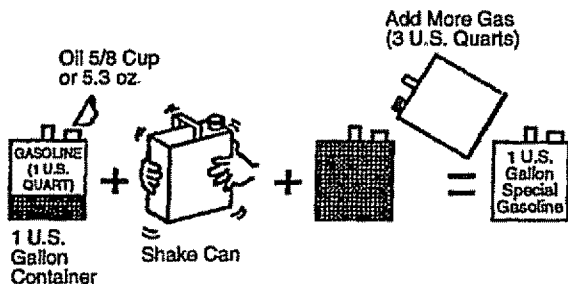
Mix gasoline and oil 24:1 as follows:

- Pour 1 U.S. quart of fresh, clean, unleaded automotive gasoline into a gallon gasoline container.
- Add 5.3 oz.(found in carton) of clean, high quality SAE 30 or SAE 40 two-cycle oil into the gasoline container.

IMPORTANT: DO NOT use Outboard Motor Oil or Multi-Viscosity Oils, such as 10W-30 or 10W-40.

- Reinstall the cap on the gasoline container and shake container vigorously so the oil mixes with the gasoline.
- Add an additional 3 U.S. quarts of gasoline to the gallon container and shake the container again.
- This completes the special gasoline mixing procedure. It can now be poured into the cultivator/tiller fuel tank.

IMPORTANT: DO NOT fill fuel tank with gasoline that does not have oil mixed in it. Do not use gasoline additives because the engine may be damaged. Shake the gasoline container before each filling of the fuel tank.



TO START THE ENGINE

Before starting the engine, be sure you have read and understood all the instructions on the preceding pages.

- Fill the fuel tank to 1/2 inch below the bottom of the fill neck with fresh fuel mix and reinstall the fuel tank cap securely. Never use fuel that may be stale from long periods of storage.
- Move the on-off switch to the ON position.
- Move the choke control (see figure, page 7) to the FULL CHOKE position (all the way down).

NOTE: A warm engine should not require choking.

- Tilt the cultivator/tiller back on the depth stake or transport wheels to raise the tines off the ground.
- Grasp the upper handle firmly to stabilize the cultivator/tiller.
- Move shut-off toggle switch to ON.
- Move choke lever to FULL CHOKE position.
- Grasp starter handle and pull slowly until you feel drag.
- Return starter handle slowly to original position.
- Pull handle with rapid, full arm strokes until engine starts.
- When engine starts, move choke lever to HALF CHOKE position.
- When engine runs smoothly, move choke lever to NO CHOKE position.

NOTE: If the tines do not stop when the throttle control is released, adjust the carburetor idle speed as instructed in Carburetor Adjustment paragraph in the Service/Adjustments section on page 13.

- To stop the engine, release the throttle control and move the on-off switch to the OFF position.

FUEL MIXTURE CHART (Mixture 24:1)

U. S.		S. I. (METRIC)	
GAS	OIL	GAS	OIL
1 Gal.	5.3 oz.	4 Liters	.167 L
2 Gal.	11 oz.	8 Liters	.333 L
5 Gal.	27 oz.	20 Liters	.833 L

- If the engine becomes flooded, see the Spark Plug Maintenance paragraph in the **Maintenance** section of this manual. Then pull the starter rope with the choke lever in the NO CHOKE position.

⚠ CAUTION: The muffler and surrounding areas become hot after running the engine. Avoid these areas.

TILLING HINTS

- Tilling is digging in, turning over and breaking up packed soil before planting. Loose unpacked soil helps root growth. Best tilling depth is 4 to 6 inches. A tiller will also clear the soil of unwanted vegetation. The decomposition of this vegetation matter enriches the soil. Depending on the climate (rainfall and wind), it may be advisable to till the soil at the end of the growing season to further condition the soil.
- Avoid tilling soil that is too dry as it will pulverize and produce a dust that will not hold water. Also, tilling soil that is too wet will be hard on the machine and produce unsatisfactory clods.
- Better growth will be obtained in tilled ground if a relatively small area is tilled properly and the tilled ground is used soon after tilling to preserve the moisture content.
- The depth stake (on the back of the cultivator/tiller) serves a dual purpose (see figure, page 8). It helps regulate the depth of the cut to a uniform level and also acts as a brake to help the operator control the speed of the cultivator/tiller.
- Lowering the depth stake will slow the cultivator /tiller and make it till deeper. Raising the depth bar will allow it to move faster and till more shallow.
- If the cultivator/tiller stops forward motion and tries to dig deeper than necessary, move the handles from side to side to start forward motion.

CULTIVATING HINTS

- Cultivating is loosening or digging around growing plants which allows the plants to flourish.

- When using the cultivator/tiller to remove weeds, it is best to cultivate no deeper than 1-1/2 inches. Cultivating deeper will only pull to the surface ungerminated weed seeds. You may want to raise the depth bar to lessen the braking action.
- When cultivating around plants or close areas, you may want to remove the outside tines (see Tine Replacement paragraph in the **Service/Adjustments** section of this manual).

⚠ CAUTION:

- Read the Owner's manual.
- Know location and functions of all controls.
- Keep all safety devices and shields in place.
- Never allow children or uninstructed adults to operate cultivator/tiller.
- Shut off engine before unclogging tines or making repairs.
- Keep bystanders away from machine.
- Keep away from rotating parts and tines. They can cause injury.

PRODUCT SPECIFICATIONS

MODEL NO.	536.797502
DATE CODE:	
DATE OF PURCHASE:	
HORSE POWER:	1.6 HP
DISPLACEMENT:	2.0 cu. in. (32.8 cc)
GASOLINE CAPACITY:	20 oz.
FUEL/OIL MIX RATIO: (Use Unleaded Regular)	24:1 Gas To Oil 5.3 Oz. Oil/ 1 Gal. Gas
SPARK PLUG :	Champion (Gap .035 in.) RCJ -8Y
IDLE RPM:	1700-300

MAINTENANCE

CUSTOMER RESPONSIBILITIES

SERVICE RECORDS Fill in dates as you complete regular service	SCHEDULE						SERVICE DATES						
	Before Each Use	After first 2 Hours	Every 25 Hours	Every 75 Hours	Before Storage	Before Each Season							
Tighten All Screws and Nuts	✓	✓											
Lubricate Tine Shaft			✓		✓								
Lubricate Transmission			✓			✓							
Check Spark Plug			✓		✓								
Clean and Re-Oil Air Cleaner Filter			✓		✓								
Cylinder Exhaust Ports				✓									
Drain Fuel					✓								

GENERAL RECOMMENDATIONS

The warranty on this cultivator/tiller not cover items that have been subjected to operator abuse or negligence. To receive full value from the warranty, the operator must maintain the cultivator/tiller as instructed in this manual. The above chart is provided to assist the operator in properly maintaining the cultivator/tiller.

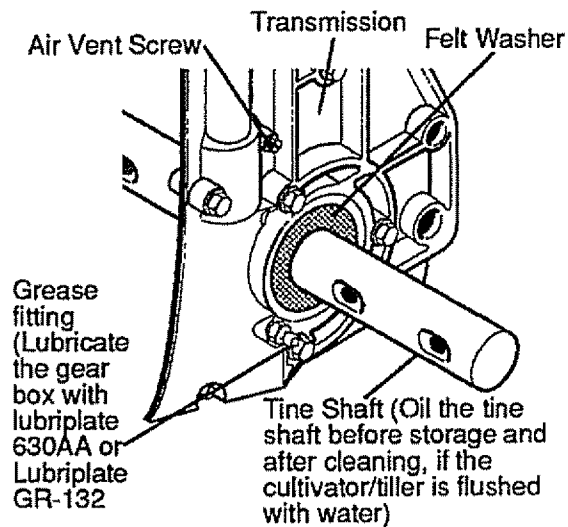
LUBRICATION

Every 25 hours and/or at the beginning of each season, the gear box should be filled with lubricant. Tubes of gear lubricant are available from most automotive supply stores. Use portable tool grease such as Lubriplate 630AA (Product No. 06787, 1-3/4 oz. tube) or Lubriplate GR-132 (Product No. 15892, 10 oz. tube). The tine shaft should have oil applied to it before storage and after it is cleaned by flushing it with water. The illustration to the right is provided to assist the operator in properly maintaining the cultivator.

⚠ CAUTION: Allow the transmission to cool before filling with grease.

- Remove both left side tines. See **Service and Adjustments** section in this manual.
- Remove the air vent screw from the top left side of the transmission.
- Using a grease gun, fill the transmission through the grease fitting until the new grease begins to come out of the air vent screw hole.

- Reinstall the air vent screw.
- Check the condition of the felt washer in the side of the transmission at the tine shaft. Replace the felt washer if it is damaged (see **Repair Parts** section in this manual).
- Clean tine shaft and spread a few drops of oil on shaft in tine replacement areas. Reinstall the tines.
- Remove the right side tines. Check the felt washer for damage, clean and oil the tine shaft. Reinstall the tines.



View of Left Side With Tines Removed

ENGINE

SPARK PLUG MAINTENANCE

If the engine is flooded, clean the area around the spark plug base to prevent foreign material from entering the cylinders when the plug is removed. Remove and dry the spark plug. Regap the electrodes to .035" if necessary. If a new spark plug is needed, refer to the Product Specifications chart in this manual for the proper replacement. Tighten the spark plug firmly. If a torque wrench is available, torque the spark plug to 15 foot-pounds.

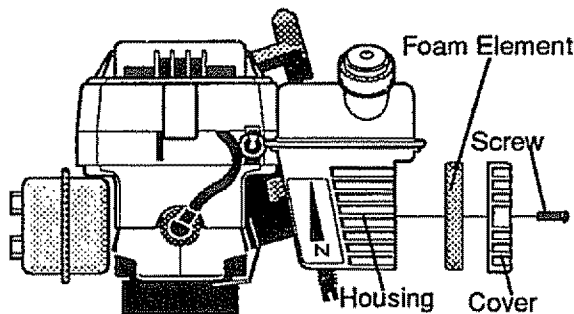
AIR CLEANER MAINTENANCE

The air cleaner filter should be cleaned and re-oiled after every 25 hours of use. Clean more often under dusty conditions.

IMPORTANT: The engine can be worn out in a very short period of time if dirt or grit is allowed to enter the engine.

To clean the air filter, do the following:

- Loosen screws on air cleaner cover and remove the cover.
- Remove foam element from air cleaner.



- Wipe inside of air cleaner housing clean.
- Clean foam element by washing in strong solution of water and household detergent. Rinse thoroughly in clean water.
- Wrap foam element in clean cloth and squeeze out (do not twist) all the liquid until dry.
- Cover the ends and side of the foam element with same oil used in fuel mixture. Knead the foam element between fingers to distribute oil and remove excess oil.
- Reinstall foam element in air cleaner housing.
- Service foam element carefully. Inspect for deterioration or damage. A defective, improperly serviced, or mistakenly assembled air filter will allow dirt particles

to enter the engine.

- Reassemble the filter. Place the cover on the air cleaner housing and tighten screws to secure cover to the housing.

CAUTION: Never run engine without air cleaner element installed. A defective air cleaner can result in loss of engine power and cause excessive wear or damage to engine components if dirt or dust is permitted to enter the engine through the carburetor. An air cleaner that is clogged with dust or dirt should be cleaned and re-oiled.

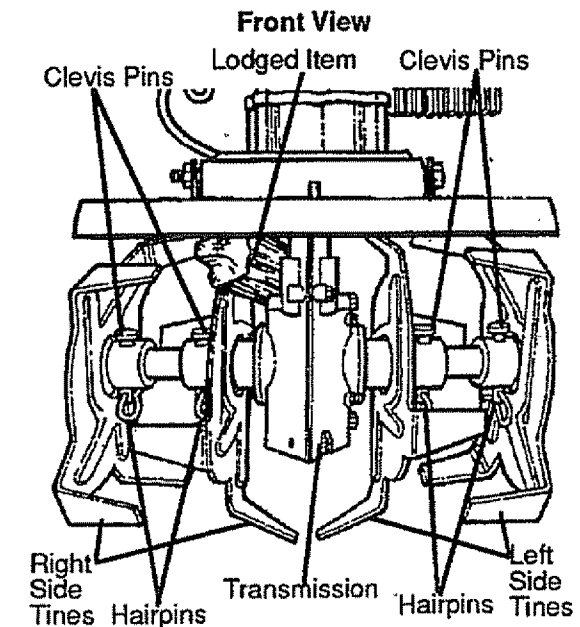
CYLINDER EXHAUST PORTS

The cylinder exhaust ports should be cleaned after each seventy-five (75) to one hundred (100) hours of operation. For this procedure we recommend that you take your unit to a Craftsman Service Center.

CLEANING

Always remove the dirt and debris from the cultivator/tiller after each use. Remove any string, wire or vegetation that may become lodged in the mechanism and stop the tine rotation. Proceed as follows:

- Release the throttle control and move the on-off switch to the OFF position, then disconnect the spark plug wire.
- Remove the hairpin and clevis pin securing the tine(s) assembly to the shaft and remove the tine(s).
- Remove the lodged material. Reassemble the tine(s) on the shaft and secure with a clevis pin and hairpin.
- Reconnect the spark plug wire and restart the engine.



SERVICE AND ADJUSTMENTS

TINE REPLACEMENT

The cultivator/tiller is left hand or right hand as viewed from the operator's position behind the unit.

All four tines on this unit are different and cannot be interchanged. The tines must be properly installed as shown in figures to the right or the cultivator/tiller will not function properly.

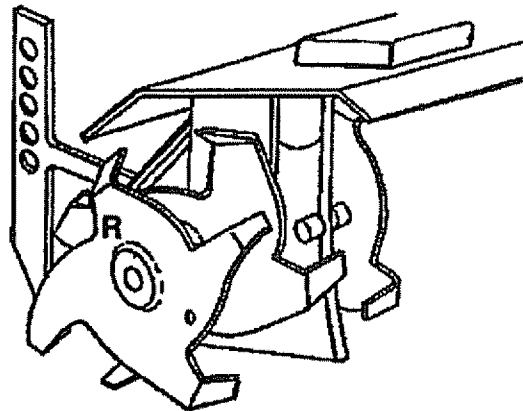
For working close around plants or in small areas, the outside tines may be removed to reduce the tilling width to about 7 inches. To reinstall the outside tines see below.

⚠ CAUTION: The tines are self sharpening and will become quite sharp from use. Handle carefully.

The tines will all wear fairly evenly. If the tines are being replaced because of wear, we recommend that all four tines be replaced at the same time. To replace the tines, do the following:

- Place the on-off switch to the OFF position and disconnect the spark plug wire.
- While wearing gloves, remove the hairpins and the clevis pins from the tines on one side of the unit and then remove the tines. See figure, previous page.
- Clean the tine shaft and oil it at the tine locations.
- Place the inside tine on the tine shaft and reinstall the clevis pin and hairpin.
- When the tines are properly installed, the letter R will be visible on the outside of the right-hand tine (the letter L on the left-hand tine). The letter should appear opposite the small hole in the side of the tine.
- Place the outside tine on the tine shaft and reinstall the clevis pin and hairpin.
- The outside tine cutting tips will all bend in toward the inside tine. The letter R on the right side or L on the left side should be visible from the outside of the unit.
- Repeat the above steps on the opposite side of the unit.
- Check to make sure the tines are installed on correct side of the unit.

Properly Installed Right Side Tines



Right Side Indicator

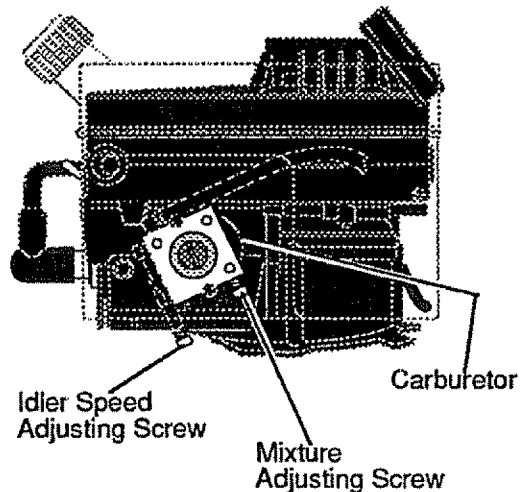
CARBURETOR ADJUSTMENT

A dirty air cleaner will cause the engine to run improperly and/or smoke excessively. Be sure the air cleaner is clean before adjusting the carburetor. Never make unnecessary adjustments to the carburetor. The carburetor was set at the factory to operate efficiently under most applications. However, if adjustments are required, we recommend you contact your nearest Craftsman Service Center. If you feel that you are competent to make carburetor adjustment proceed as follows:

⚠ CAUTION: Use extreme care when making adjustments that require the engine to be running. Keep hands, feet, hair and loose clothing away from any moving part.

- Turn the mixture adjustment screw clockwise to close.
IMPORTANT: Tighten the adjusting screw with your fingers to prevent damage to the carburetor or adjusting screw.
- Turn the mixture screw counterclockwise open one (1) turn.
- Start the engine and let it warm up approximately 3 to 5 minutes. Do not adjust the carburetor when the engine is cold.
- If the engine falters or stops after the choke lever is moved to the CHOKE OFF position, open the mixture adjusting screw an additional 1/8 turn counterclockwise.
- With the engine running, release the throttle control (idle position) to make the mixture adjustments. Then perform the following:

- Turn the mixture adjusting screw slowly clockwise until the engine falters. Note this location.
- Turn the mixture adjusting screw slowly counterclockwise until the engine starts to sputter. Note this location.
- Turn the mixture adjusting screw clockwise until it is halfway between the first position where the engine faltered and the second position where the engine started to sputter.



Engine Shown With Air Cleaner Removed

- The idle speed may need to be adjusted after making the mixture adjustment. If the tines do not turn when the engine is running and the throttle control is released, the idle speed will not need adjusting. If the tines turn when the throttle control is released, do the following:
 - Have someone tilt the cultivator/tiller back on its depth stake so that the tines are off the ground.
 - Start the engine.
 - With the throttle in the released (idle) position, turn the idle speed adjusting screw counterclockwise until the tines stop rotating.

⚠ CAUTION: Never tamper with the engine governor which is factory set for proper engine speed. Over-speeding the engine above the factory set high speed can be dangerous. If you think the engine-governed high speed needs adjusting, contact your nearest Craftsman Service Center.

STORAGE

⚠ CAUTION: Never store engine with fuel in tank indoors or in enclosed, poorly ventilated areas where fuel fumes may reach an open flame, spark or pilot light as on a furnace, water heater, clothes dryer, etc.

NOTE: The cultivator/tiller should be immediately prepared for storage at the end of the season or if the unit will not be used for 30 days or more.

CULTIVATOR/TILLER

- Thoroughly clean the cultivator/tiller. Remove all dirt and debris from the engine and unit.
- Remove the tines, oil the tine shaft and reinstall the tines (see **Service and Adjustments** section in this manual).
- Loosen the tee knobs that secure the upper handle to the lower handle.
- Carefully fold the upper handle down, making sure the throttle is not kinked. Tighten the tee knobs.

- The cross piece of the upper handle (between the lower handles) can now be used as a carry handle or can be hooked over a wall hook to store the cultivator up off the floor and out of the way.
- If possible, store your cultivator/tiller indoors and cover it to give protection from dust and dirt.
- Cover the cultivator/tiller with a suitable protective cover that does not retain moisture. Do not use plastic.

IMPORTANT: Never cover the cultivator/tiller while the engine and exhaust areas are still warm.

NOTE: A yearly checkup or tune-up by a Craftsman Service Center is a good way to ensure that your cultivator/tiller will provide maximum performance for the next season.

ENGINE

IMPORTANT: It is important to prevent gum deposits from forming in essential fuel system parts such as the carburetor, fuel filter, fuel hose or tank during storage. Also, experience indicates that alcohol blended fuels (called gasohol or using ethanol or methanol) can attract moisture which leads to separation and formation of acids during storage. Acidic gas can damage the fuel system of an engine while in storage.

- Drain the fuel from the fuel tank into an approved container outdoors, away from open flame.

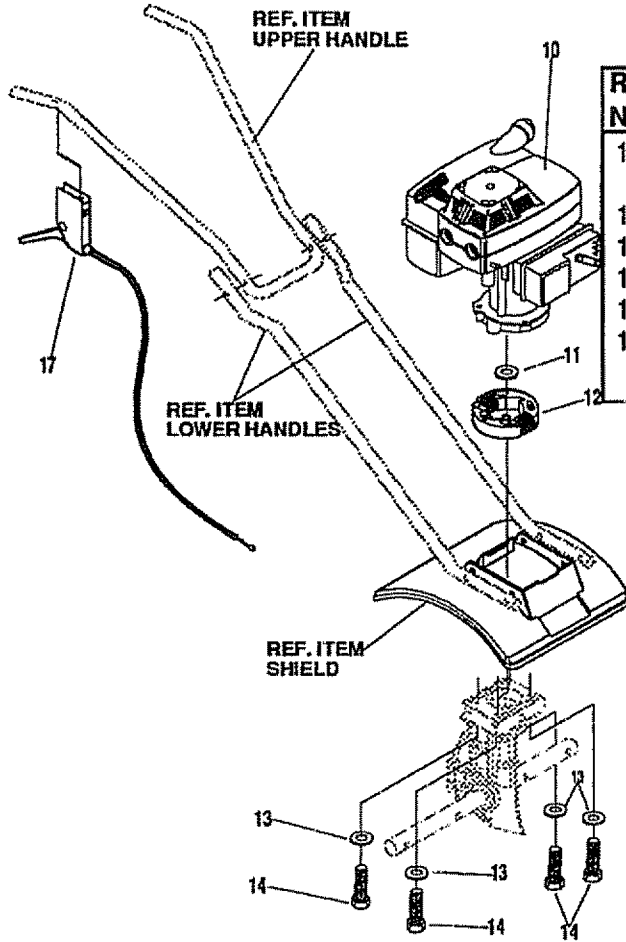
- Start and run the engine until it stops due to lack of fuel.
- Pull the starter handle slowly until you feel resistance due to compression pressure, then stop.
- Release the starter tension slowly to prevent the engine from reversing due to compression pressure. This position will close both the intake and exhaust ports to prevent corrosion of the piston and cylinder bore.

TROUBLE SHOOTING

TROUBLE	CAUSE	CORRECTION
Difficult starting or	Stale fuel mixture	Drain fuel tank. Fill with fresh mixture.
	Too much oil in mixture	Check fuel mix chart and mix fresh fuel.
Engine runs erratically or	Dirt in fuel tank or out of fuel	Clean fuel tank. Fuel tank should be half full when starting engine.
	Carburetor out of adjustment	See Carburetor Adjustment section.
Engine will not run at full speed	Fouled spark plug	Clean and re-gap plug.
	Plugged air cleaner	Clean and re-oil air cleaner.
Engine speed does not increase properly	Debris interfering with throttle linkage	Blow dirt and debris off top of carburetor.
Engine smokes excessively	Plugged air cleaner	Clean and re-oil air cleaner.
	Too much oil in fuel mixture	Check fuel mix chart and mix fresh fuel.
Tines continue to rotate when throttle control is released	Carburetor out of adjustment	Adjust carburetor idle speed. See Carburetor Adjustment in Service and Adjustments section of this manual.
Tines will not turn	Foreign object lodged in tine	Remove lodged item. See Cleaning in the Maintenance section of this manual.
Unit does not till properly	Incorrect tine installation	Check the tines for proper installation. See the Tine Replacement in the Service and Adjustments section of this manual.

CRAFTSMAN 10" - 1.6 H.P. CULTIVATOR 536.797502

ENGINE ASSEMBLY



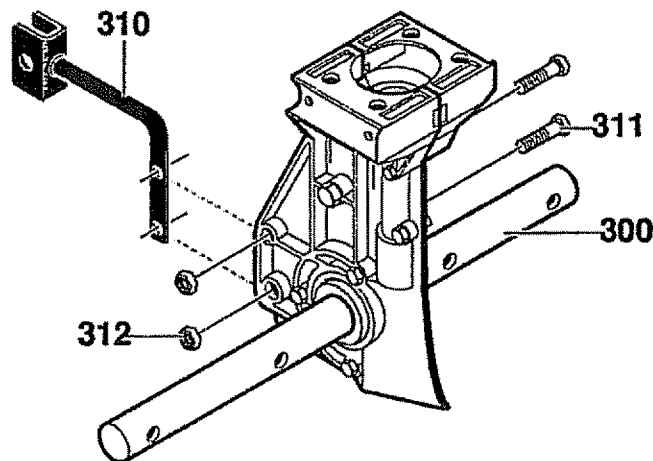
REF. NO.	PART NO.	PART NAME
10	ENGINE	1.6 hp. 143.971670 (See Engine pages)
11	56694	Flatwasher, .378x1.25x.06 Ht
12	335350	Rotor
13	120380	Washer, Regspltk .263x.49x.07
14	180042	Screw, 1/4-20x1.75
17	319306	Cable, Throttle
	710833	Owner's Manual

323392C

All unnumbered items are interchangeable with opposite side

Note: Always use original equipment parts. Use of service/replacement parts other than original parts may void your warranty.

TRANSMISSION ASSEMBLY

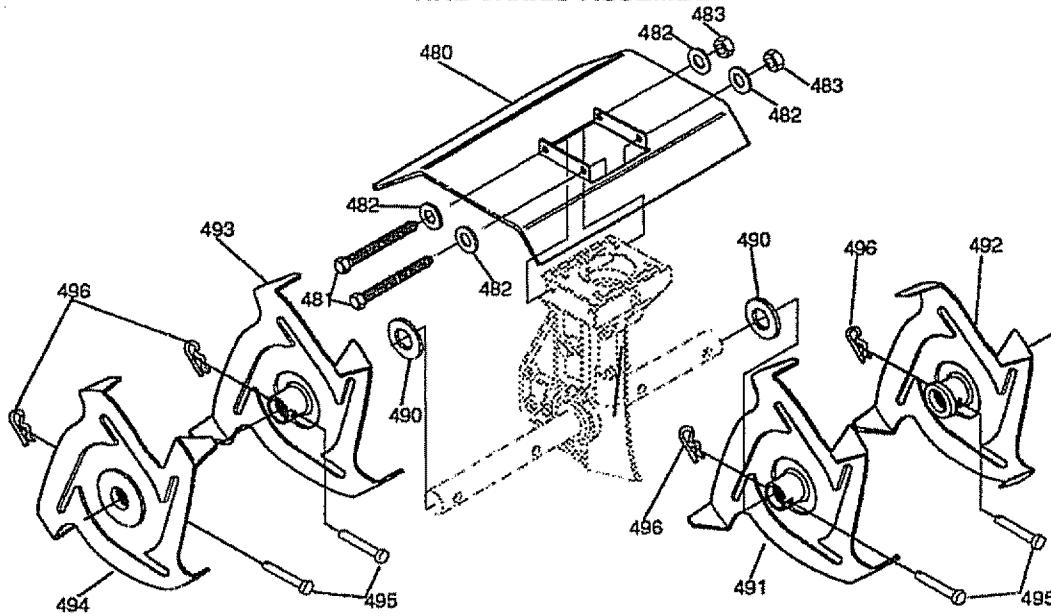


REF. NO.	PART NO.	PART NAME
300	740060	Transmission Assy.
310	340550	Bracket, Assy Depth Flat Bar
311	180024	Screw, 1/4-20x1.25
312	782585	Nut, 1/4-20 Reghexctrk

318848C

CRAFTSMAN 10" - 1.6 H.P. CULTIVATOR 536.797502

TINE SHIELD ASSEMBLY

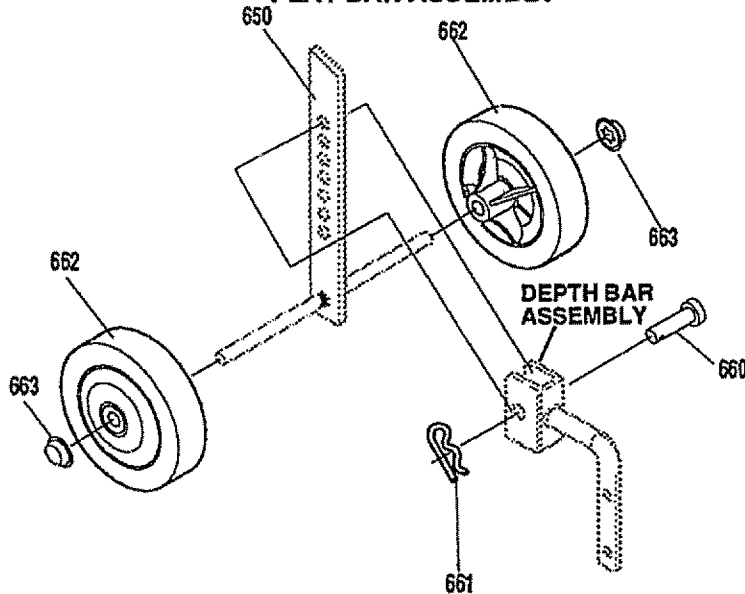


REF. NO.	PART NO.	PART NAME
480	309073-833	Tine Shield
481	273869	Screw, 1/4-20x5.00
482	120392	Flatwasher .281x.63x.065
483	782585	Nut, 1/4-20 Reghexctrlk
490	56158	Felt Washer .68x1.46x.12
491	56157-853	Tine, Assy Inner LH

REF. NO.	PART NO.	PART NAME
492	56155-853	Tine, Assy Outer LH
493	56156-853	Tine, Assy Inner RH
494	56154-853	Tine, Assy Outer RH
495	56123	Clevis Pin .31x1.38
496	56180	Hair Pin .091Diax1.62Lg

318849D

FLAT BAR ASSEMBLY



REF. NO.	PART NO.	PART NAME
650	330799-853	Wheel Suppt Assy Drag Stake
660	333635	Clevis Pin .321x.75
661	56180	Hair Pin .091Diax1.62Lg
662	339277	Tire & Rim
663	73664	Nut, Push On 3/8"

318852F

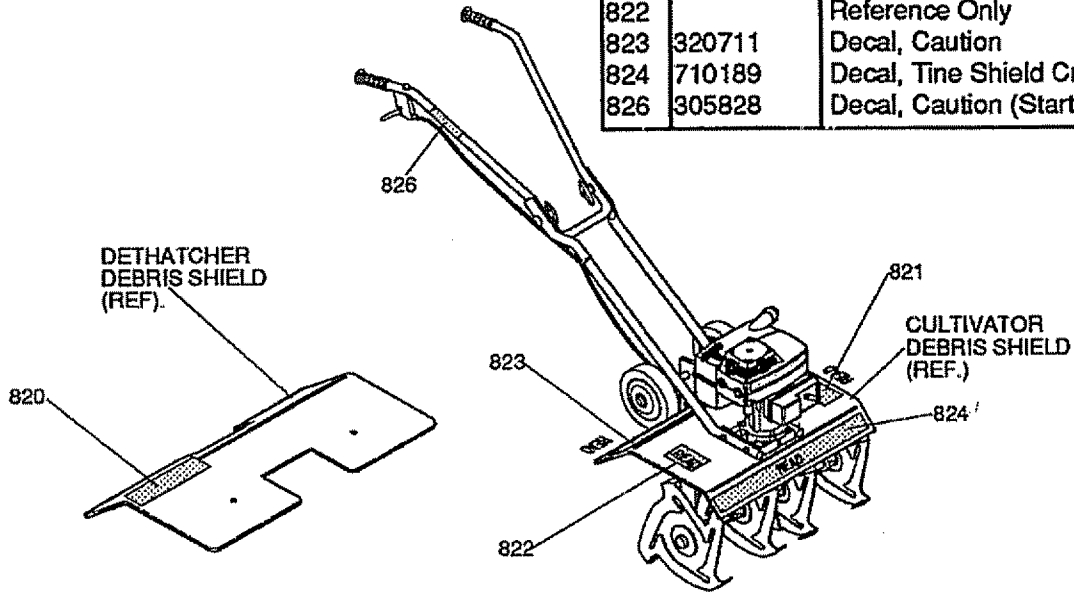


CRAFTSMAN 10" - 1.6 H.P. CULTIVATOR 536.797502

DECALS

REF. NO.	PART NO.	PART NAME
822		Reference Only
823	320711	Decal, Caution
824	710189	Decal, Tine Shield Craftsman
826	305828	Decal, Caution (Starting Inst)

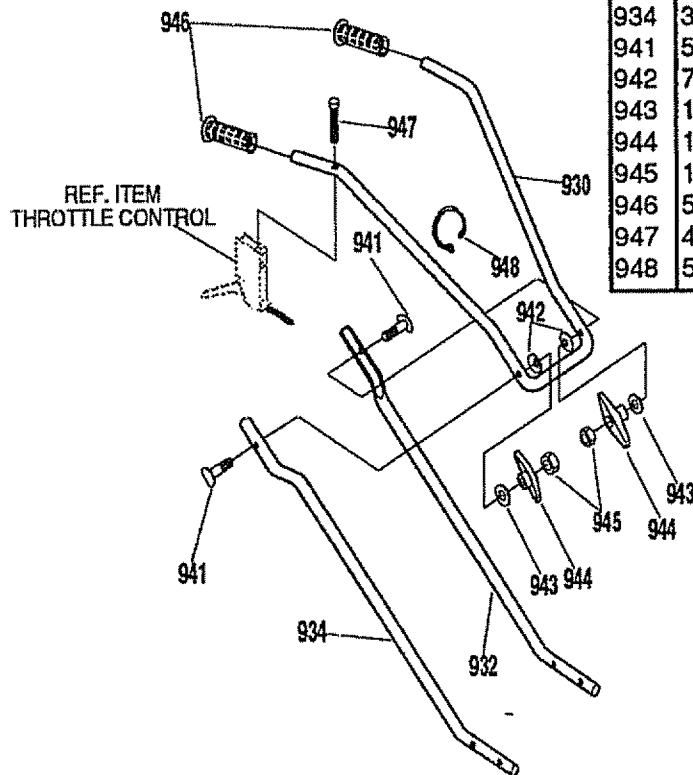
320229C



HANDLE ASSEMBLY

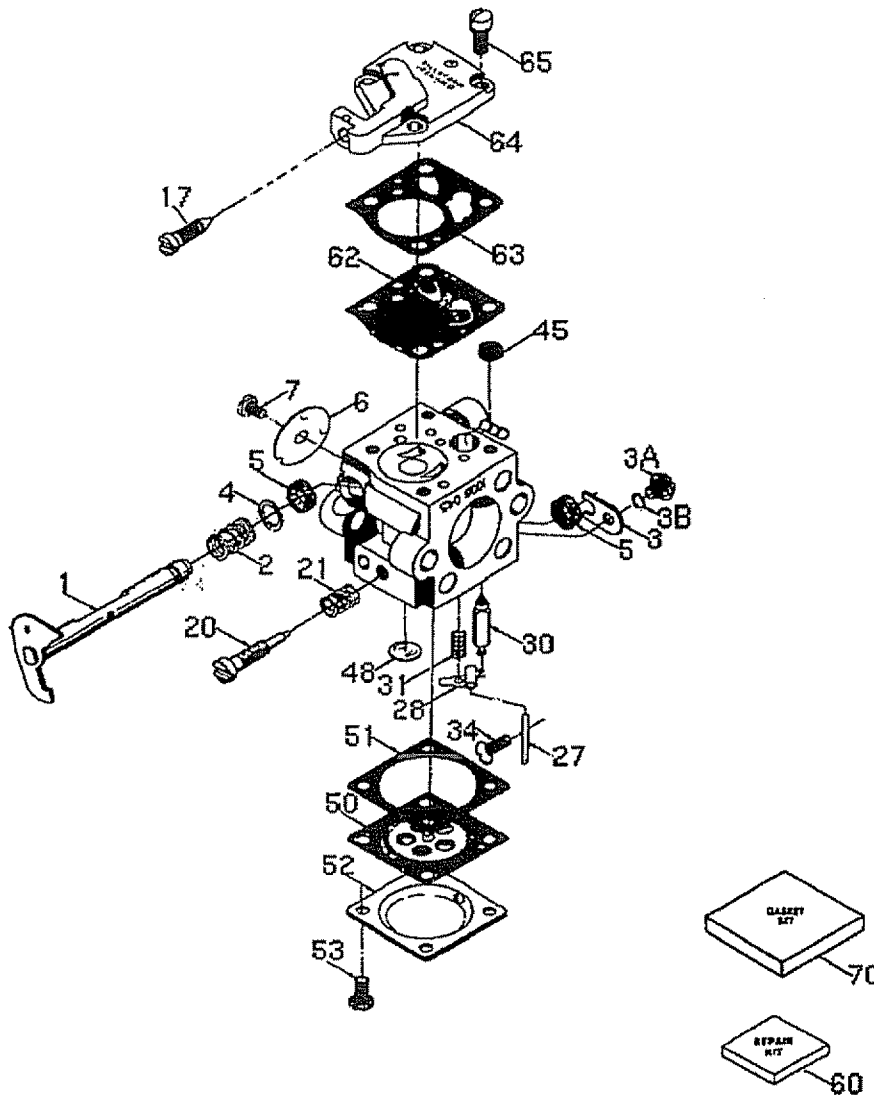
REF. NO.	PART NO.	PART NAME
930	56237-853	Upper Handle
932	339398-853	Lower Handle, LH
934	339399-853	Lower Handle, RH
941	56199	Carr. Bolt, 5/16-18x1.63
942	783000	Formed Washer
943	120393	Flatwasher .344x.69x.065
944	13527	T Knob, 2/Blade w/516/18
945	120376	Nut, 5/16-18 Reghex
946	56778	Hand Grip
947	426635	Screw, 10-16x1.50 Tap
948	57444	Cable Tie

319375C



CRAFTSMAN 2-CYCLE ENGINE MODEL NUMBER: 143.971670

Carburetor No. 632979



REF. NO.	PART NO.	PART NAME
	632979	Carburetor (Incl. 184 of Engine Parts List)
1	632947	Throttle Shaft & Lever Ass'y.
2	632928	Throttle Return Spring
3	632926	Dust Seal Retainer
3A	632950	Dust Seal Retainer Screw
3B	632949	Spacer
4	632939A	Dust Seal Washer
5	632929A	Dust Seal
6	632930	Throttle Shutter
7	632931	Throttle Shutter Screw
17	632946	Idle Speed Screw
20	632989	Idle Mixture Screw
21	632912	Idle Tension Spring
27	632916	Hinge Pin
28	632915	* Metering Lever
30	632918	* Inlet Needle
31	632920	Metering Lever Spring
34	632917	Metering Lever Pin Screw

REF. NO.	PART NO.	PART NAME
45	632919	* Fuel Inlet Screen
48	632902	* Welch Plug
50	632904	* Diaphragm (Included in 60 & 70)
51	632903	* Cover Gasket (Included in 60 & 70)
52	632905	Cover
53	632906	Cover Screw
60	632933	* Repair Kit (Incl. items marked * in notes)
62	632908	* Pump Diaphragm (Included in 60 & 70)
63	632907	* Pump Gasket (Included in 60 & 70)
64	632988	Pump Cover
65	632945	Pump Cover Screw
70	632934	Diaphragm/Gasket Set (Incl. 50, 51, 62 & 63)

CRAFTSMAN 2-CYCLE ENGINE MODEL NUMBER: 143.971670

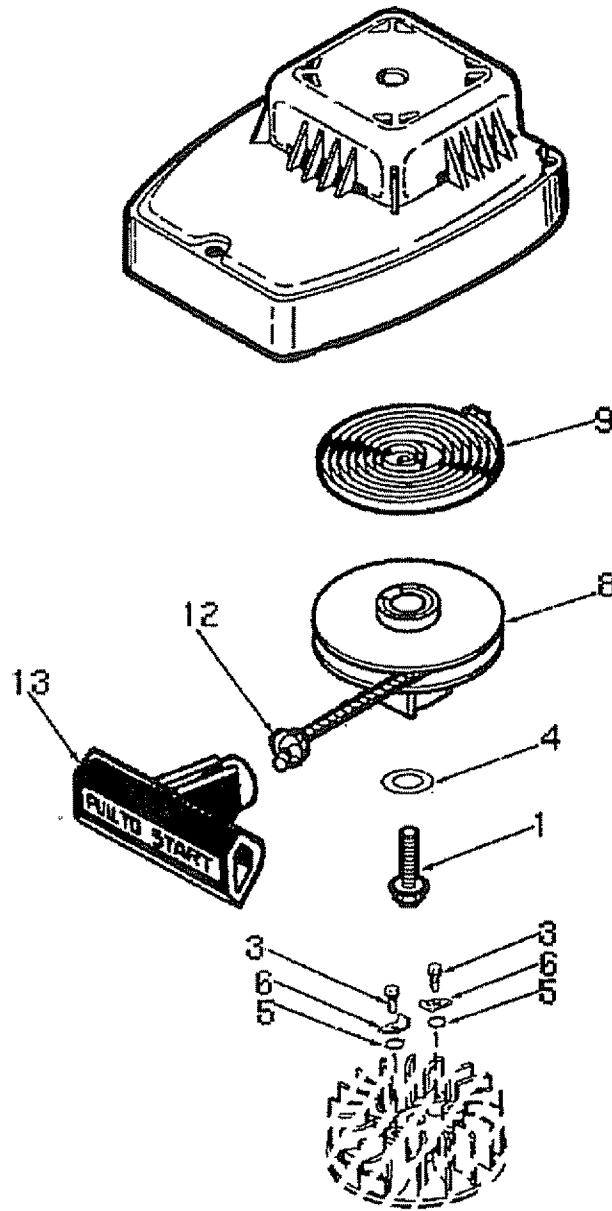
REF. NO.	PART NO.	PART NAME
1	250302A	Cylinder (Incl. 119,184,187&187A)
3	650888	Screw, Torx T-30, 4-20 x 43/64"
13	270288A	Crankcase Ass'y. (Incl. 20 & 44)
13 A	270298	Crankcase Cover Ass'y.
16 B	490324	Air Vane
16 C	650986	Screw, Torx T-8, 3-48 x 7/32"
19	570716	Governor Spring
20	510328	Oil Seal
30	290664	Crankshaft
39	310286A	Piston & Rod Ass'y. (Incl. 42)
42	310271	Ring Set
44	530163	Cartridge Bearing
69	510348	"O" Ring
77	530110	Ball Bearing
78	510319	Oil Seal
79	650844	Screw, 1/4-20 x 3/4"
89	611054	Flywheel Key
90	611180	Flywheel
91	590691	Pawl Spring
91 A	590692	Starter Pawl
91 B	650985	Screw, 12-24 x 11/64"
92	650848	Belleville Washer
93	650849	Flywheel Nut
100	611056	Solid State Ignition (Incl. 101)
101	610118	Spark Plug Cover
103	651007	Screw, Torx T-15, 10-24 x 15/16"
110	611135	Ground Wire
119	510349	Cylinder Head Gasket
135	611049	Resistor Spark Plug (RCJ8Y)
177	650858	Carburetor Mounting Stud
178	650580	Lock Nut, 10-24
184	510327B	Carburetor Gasket
187	570648A	Spacer
187 A	570698A	Air Baffle
200	570700	Speed Control Body
203	570701	Compression Spring
204	651042	Screw, T-15, 8-32 x 1"
209	651042	Screw, T-15, 8-32 x 1"
210	27793	Conduit Clip
211	651047	Screw, T-15 10-24x21/32"
216	570712	R.P.M. Adjusting Lever
230	570649A	"O" Ring
243	650955	Screw, 10-32 x 29/32"
243 A	650964	Thread Insert
245	450252	Air Cleaner Filter

REF. NO.	PART NO.	PART NAME
245 A	450255	Air Cleaner Filter
250	450253	Air Cleaner Cover
257	650867	Screw, 10-24 x 1/2"
258	350435	Blower Housing Base
261	650850	Screw, 8-32 x 1-9/16"
262	650939	Stud
274	510347	Exhaust Gasket
275	390322	Muffler (Incl. 274 & 277)
277	650938	Screw, 1/4-20 x 2.409"
290	410246A	Fuel Line
292	410253	Fuel Line Clamp
297	27261	Washer
298	650954	Locknut, 8-32
300	410277	Fuel Tank (Incl. 290, 292, 298,301&370C)
301	410280	Fuel Cap
326	570659	Blower Housing Plug
331	610650B	Toggle Switch
370	550228	Instruction Decal
370 A	35977	Caution Decal
370 C	550239	Choke Decal
380	632979	Carburetor (Incl. 184)
391	590690	Rewind Starter & Housing Ass'y.
520	Supplied by OEM	
900	Replacement engine 710570, order from 71-999	
900	Replacement S?B 710547A, order from 71-999	



CRAFTSMAN 2-CYCLE ENGINE MODEL NUMBER: 143.971670

Starter No. 590690



REF NO.	PART NO.	PART NAME
	590690	Rewind Starter & Housing Ass'y.
1	650987	Retainer Screw, 10-24 x 1-3/8"
3	650985	Pawl Screw, 12-24 x 11/64"
4	650147	Washer
5	590691	Pawl Spring
6	590692	Pawl
8	590693	Pulley
9	590562	Rewind Spring
12	590639	Starter Rope (#4 rope, 71" long)
13	590452	Starter Handle



CULTIVADORA/ZURCADORA

CONTENIDO

Contenido	23	Servicio Y Ajustes	35-36
Garantía	23	Almacenamiento	36-37
Reglas de Seguridad	23-25	Identificación de Problemas	38
Contenido la bolsa con las partes	25	Partes de Repuesto	16-18
Montaje	26-28	Partes de Motor	19-22
Operación	28-32	Orden de Partes Servicio	Contratapa
Mantenimiento	32-34		

DECLARACION DE GARANTIA

GARANTIA LIMITADA DE UN AÑO DE LA CULTIVADORA/ZURCADORA CRAFTSMAN

Durante un año a partir de la fecha de compra, siempre y cuando esta cultivadora/zurcadora Craftsman sea mantenida, lubricada, y afinada en conformidad con las instrucciones de operación y mantenimiento en el manual del dueño. CRAFTSMAN reparará, gratuitamente, cualquier defecto debido a materiales o mano de obra.

Esta garantía no incluye el(los) brazo(s), la bujía, o el filtro que son piezas fungibles que se desgastan con el uso normal.

En el caso de que est cultivadora/zurcadora sea utilizada con fines comerciales o de alquiler, esta garantía será válida únicamente durante 30 días a partir de la fecha de compra. Esta garantía es válida sólo cuando este producto se utilice en los Estados Unidos. EL SERVICIO DE GARANTIA SE ENCUENTRA DISPONIBLE AL DEVOLVER LA CULTIVADORA/ZURCADORA AL CENTRO DE SERVICIO CRAFTSMAN MAS CERCANO EN LOS ESTADOS UNIDOS.

Esta garantía le otorga derechos específicos legales, y es posible que tenga otros derechos, los cuales varían de estado a estado.

Sears, Roebuck and Co., Departamento D/817WA, Hoffman Estates, IL 60179



REGLAS DE SEGURIDAD



BUSQUE ESTE SIMBOLO QUE SEÑALA LAS PRECAUCIONES DE SEGURIDAD DE IMPORTANCIA. QUIERE DECIR - ¡¡¡ATENCIÓN!!! ¡¡¡ESTE ALERTA!!! SU SEGURIDAD ESTA COMPROMETIDA.



PRECAUCION: Siempre desconecte el alambre de la bujía y pongalo en donde no pueda entrar en contacto con esta para evitar el arranque por accidente durante la preparacion, el transporte, el ajuste o cuano se hagan reparaciones.

IMPORTANTE: Los estandares de seguridad demandan los controles que exigen la presencia del operador para reducir a un minimo el riesgo de lesiones. Su cultivadora/zurcadora viene equipada con dichos controles. Por ningun motivo trate de anular la funcion de control que exige la presencia del operador.

ANTES DE CADA USO

- Lea el manual del dueño cuidadosamente. Familiarícese completamente con los controles y con el uso adecuado de la cultivadora/zurcadora. Sepa cómo pararla y desenganchar los controles rápidamente.

- No opere la cultivadora/zurcadora sin usar ropa exterior adecuada. Use zapatos que mejoren el equilibrio en las superficies resbalosas.
- Mantenga el área de operación despejada de toda la gente, especialmente los niños pequeños y los animales domésticos.
- Inspeccione cuidadosamente el área en donde se va a usar la cultivadora/zurcadora y remueva todos los objetos extraños.

SEGURIDAD DEL COMBUSTIBLE

- Maneje el combustible con cuidado; es altamente inflamable.
- Use un envase adecuado.
- Revise el suministro de combustible antes de cada uso, permitiendo que exista espacio para la expansión pues el calor del motor y/o sol pueden hacer que se expanda el combustible.

- Llene el estanque de combustible afuera con mucho cuidado. Nunca llene el estanque de combustible en recintos cerrados. Vuelva a colocar la tapa del estanque de combustible en forma segura y limpie el combustible derramado.
- Nunca remueva la tapa del estanque de combustible o agregue combustible a un motor que está funcionando o que está caliente.
- Nunca almacene combustible o la cultivadora/zurcadora con combustible en el estanque dentro de un edificio en donde los gases puedan alcanzar una llama expuesta.

SEGURIDAD DE OPERACION

- Nunca permita que los niños o adolescentes jóvenes operen la cultivadora/zurcadora. Manténgalos alejados cuando esté en operación. Nunca permita que los adultos operen la cultivadora/zurcadora sin los conocimientos adecuados.
- Siempre use anteojos de seguridad o protecciones para los ojos durante la operación, o cuando haga ajustes o reparaciones, para proteger sus ojos contra objetos extraños que la cultivadora/zurcadora pueda lanzar.
- No ponga las manos ni los pies cerca o debajo de partes rotatorias.
- Tenga sumo cuidado cuando opere o atraviese entradas de automóviles de ripio, senderos o caminos. Manténgase alerta de peligros escondidos o tráfico.
- Tenga cuidado para evitar resbalarse o caerse.
- Nunca opere la cultivadora/zurcadora sin las protecciones y las planchas adecuadas, o sin otros dispositivos de protección de seguridad en su lugar.
- Nunca opere la cultivadora/zurcadora a altas velocidades de transporte en superficies resbalosas. Mire hacia atrás y tenga cuidado cuando retroceda.
- Nunca permita la presencia de espectadores cerca de la cultivadora/zurcadora.
- Mantenga a los niños y a los animales domésticos alejados mientras se esté en operación.
- Nunca opere la cultivadora/zurcadora sin buena visibilidad o luz.
- No haga funcionar el motor en recintos

cerrados. Los gases de escape son peligrosos (**contienen MONOXIDO DE CARBONO, UN GAS SIN OLOR QUE CAUSA LA MUERTE**).

- Tome todas las precauciones posibles cuando deje la cultivadora/zurcadora labradora desatendida. Pare el motor.
- No sobrecargue la capacidad de la cultivadora/zurcadora tratando de cultivadora muy profundamente a mucha velocidad.

ALMACENAMIENTO CON SEGURIDAD

- Siempre refiérase a las instrucciones del manual del dueño para verificar los detalles de importancia si la cultivadora/zurcadora se va a almacenar por un largo período de tiempo.
- Nunca almacene la cultivadora/zurcadora con combustible en el estanque de combustible dentro de un edificio en donde se encuentren presentes fuentes de ignición, tales como, los calentadores de agua o del ambiente, secadoras de ropa y otros artefactos parecidos. Permita que se enfríe el motor antes de guardarlo en algún lugar cerrado.
- Mantenga la mini zurcadora/cultivadora en condiciones de trabajo seguras. Revise todos los sujetadores a intervalos frecuentes para verificar si están apretados en forma segura.

SEGURIDAD DE REPARACIONES/ AJUSTES

- Después de pegarle a objetos extraños, pare el motor. Remueva el alambre de la bujía, y manténgalo alejado de ésta para evitar el arranque por accidente. Revise la mini zurcadora/cultivadora cuidadosamente para verificar si está dañada y repare los daños antes de volver a hacer arrancar y operar la cultivadora/zurcadora.
- Si la cultivadora/zurcadora empieza a vibrar anormalmente, pare el motor y revise inmediatamente la causa. La vibración, normalmente es un aviso de problemas.
- Pare el motor cuando abandone la posición de operación. También desconecte el alambre de la bujía antes de destaponar los brazos de cultivo y cuando haga reparaciones, ajustes o inspecciones.
- Cuando haga limpiezas, reparaciones o

inspecciones, apague el motor y asegúrese que todas las partes en movimiento se hayan detenido.

- Nunca trate de hacer ajustes mientras el motor está funcionando (**excepto cuando específicamente lo recomiende el fabricante**).

⚠ ADVERTENCIA: El escape del motor de este producto contiene productos químicos que se sabe en el estado de California que producen cáncer, defectos de nacimiento y otros daños reproductivos.

⚠ ADVERTENCIA: Esta unidad viene equipada con un motor de combustión interna y no se debe usar sobre, o cerca, de un terreno no desarrollado cubierto de bosques, de arbustos o de césped, a menos que el sistema de escape del motor venga equipado con un amortiguador de chispas que cumpla con las leyes locales o

estatales (si existen). Si se usa un amortiguador de chispas, el operador debe mantenerlo en condiciones de trabajo eficientes.

En el estado de California, la ley exige un amortiguador de chispas (Sección 4442 del "California Public Resources Code" (**Decreto de Recursos Públicos de California**)). Otros estados pueden contar con otras leyes parecidas. Las leyes federales se aplican en las tierras federales. Su Centro de Servicio Autorizado Craftsman más cercano tiene disponible un amortiguador de chispas/silenciador (vea la sección PARTES DE REPUESTO en este manual).

Contenido de la bolsa con las partes , (muestran del tamaño real)



1 - Corres de ligadura

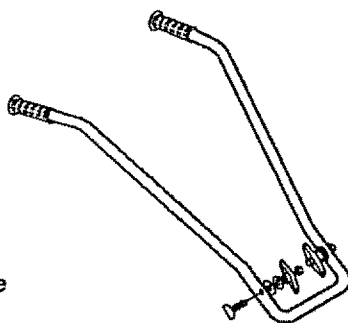


1 - Tornillo opresor de cabeza de arandela de 10-16 x 1-1/2 pulgadas

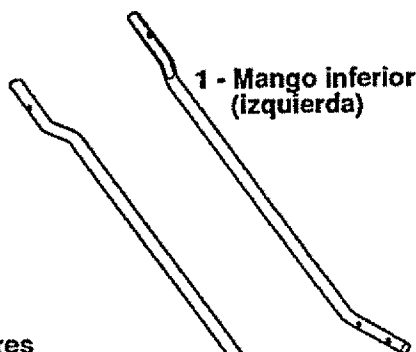
Partes empaquetadas en forma separada en la caja de cartón(no se muestran del tamaño real)



1 - 5.3 oz. Dos Tiempos Aceite



1 - Mangos superiores



1 - Mango inferior (izquierda)

1 - Mango inferior (derecho)

- 1 - Manual del Dueño(no se muestra)
- 1 - Bolsa con las partes (no se muestra)

MONTAJE

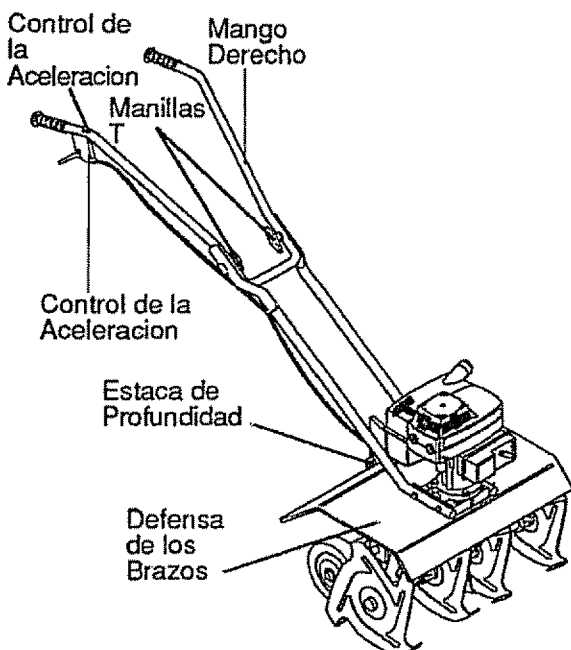
⚠ PRECAUCION: Siempre use anteojos de seguridad o protecciones para los ojos al montar la cultivadora/zurcadora.

HERRAMIENTAS NECESARIAS PARA EL MONTAJE

- 1 - Llave de 5/16 pulgada (o llave ajustable desatornillador regular)
- 2 - Llaves de 7/16 pulgada (o llaves ajustables)
- 1 - Par de tijeras
- 1 - Martillo

La figura al lado derecho muestra la cultivadora/zurcadora completamente montada.

Las referencias al lado derecho y al lado izquierdo de la cultivadora/zurcadora son desde la posición del operador detrás de la unidad.



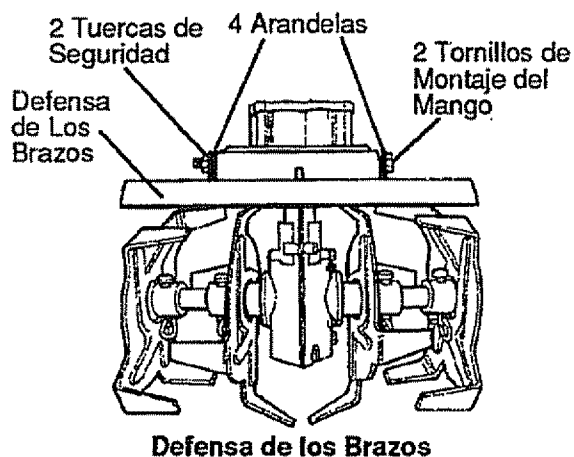
PARA REMOVER LA CULTIVADORA/ZURCADORA DE LA CAJA DE CARTÓN

- Remueva la bolsa de plástico con las partes de la caja de cartón.
- Remueva los mangos de la caja de cartón.
- Remueva el paquete de la caja de cartón.
- Levante la cultivadora/zurcadora fuera de la caja de cartón y póngala en una superficie dura y nivelada.
- Remueva el material de embalaje de alrededor.

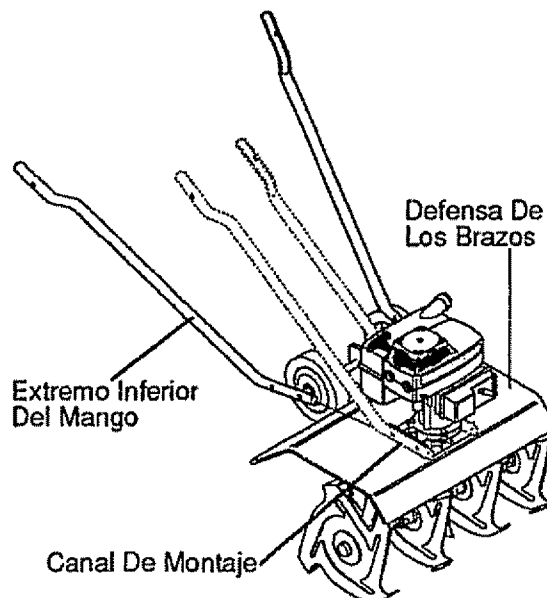
PARA INSTALAR EL CONJUNTO DEL MANGO

Los mangos inferiores tienen una dobladura corta en el extremo inferior y son planos en la parte superior, para permitir que el mango superior se coloque entre los mangos inferiores. Para montar los mangos haga lo siguiente:

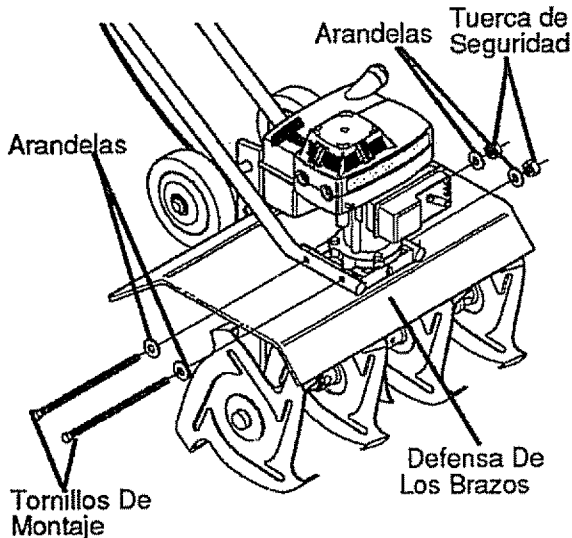
- Desenrolle el control de la aceleración desde alrededor del motor y enderece el cable. Tenga cuidado de no enredarlo.
- Remueva las dos tuercas de seguridad, las cuatro arandelas y los dos tornillos de montaje del mango, de la defensa de los brazos, vea figura abajo.



- Inserte la sección del mango inferior del lado derecho en el canal de montaje, entre la defensa de los brazos y el molde del motor vea lo anterior a la derecha.



AVISO: Para permitir el montaje adecuado de la sección plana del mango superior asegúrese que la sección plana de los mangos inferiores estén mirando hacia adentro. Asegúrese que haya una arandela en cada tornillo de montaje vea figura abajo. Puede que sea necesario rotar el mango inferior para alinear los agujeros de montaje.



- Ponga la sección del mango inferior del lado izquierdo en el canal de montaje, entre la defensa de los brazos y el molde del motor. Alinee los agujeros en el mango con el molde del motor y la defensa de los brazos, luego, empuje los tornillos de montaje completamente a través del molde del motor, del mango y de la defensa de los brazos. Instale una arandela en los tornillos de montaje y asegure las secciones del mango inferior usando las dos tuercas de seguridad que se removieron con anterioridad vea a continuación. Apriete las tuercas de seguridad con los dedos en este momento.
- Remueva los artículos de ferretería del conjunto del mango superior.
- Ponga el mango superior entre los mangos inferiores vea figura junto y asegúrelos con dos pernos portadores de cabeza curva, con dos arandelas formadas, dos arandelas planas de 11/32 pulgada y dos manillas T, en la parte interior del mango. Apriételes con los dedos solamente.
- Use dos llaves de 7/16 pulgada y apriete las tuercas de seguridad en los tornillos, en los extremos inferiores de los mangos inferiores, justo lo suficiente como para sujetar los mangos inferiores firmemente

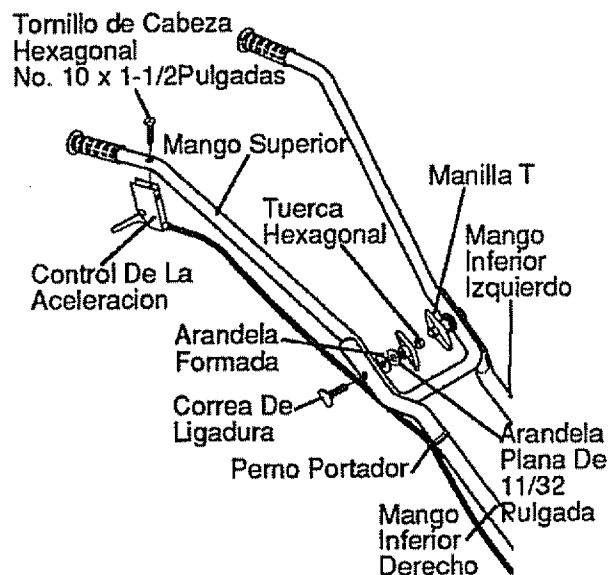
en su lugar.

IMPORTANTE: Si los tornillos se aprietan demasiado como para cambiar la forma de los mangos se pueden producir daños en el molde del motor.

- Sujete el perno portador de cabeza curva en contra de la parte exterior del mango inferior mientras aprieta la manilla T en forma segura.

PARA INSTALAR EL CONJUNTO DEL CONTROL DE LA ACELERACION

- Ponga un tornillo de cabeza hexagonal No. 10 x 1-1/2 pulgadas hacia abajo, a través del agujero en el lado derecho del mango superior, y adjunte el control de la aceleración en la parte inferior del mango vea la figura a la derecha inferior.
- Adjunte el cable de la aceleración al mango inferior derecho enroscando una correa de ligadura a través del agujero en el mango inferior y alrededor del cable de la aceleración en la parte exterior del mango.
- Enrosque el extremo puntiagudo de la correa a través del otro extremo (cuadrado) de la correa y tírela para que se apriete alrededor del cable de aceleración y del mango inferior.



AVISO: Un lado de la correa de ligadura es áspero, y el otro es liso. El lado áspero tiene que quedar en la parte interior de la curvatura que se forma cuando se juntan los extremos de la correa de ligadura.

- Trate de soltar la correa de ligadura, si se suelta, quiere decir que se ha amarrado con la parte lisa en la parte interior de la curvatura. Remueva la correa de ligadura e invierta la dirección.
- Corte la correa en exceso.

✓ LISTA DE REVISION

Antes de operar y de disfrutar de su cultivadora/zurcadora nuevo, le deseamos que reciba el mejor rendimiento y la mayor satisfacción de este de calidad.

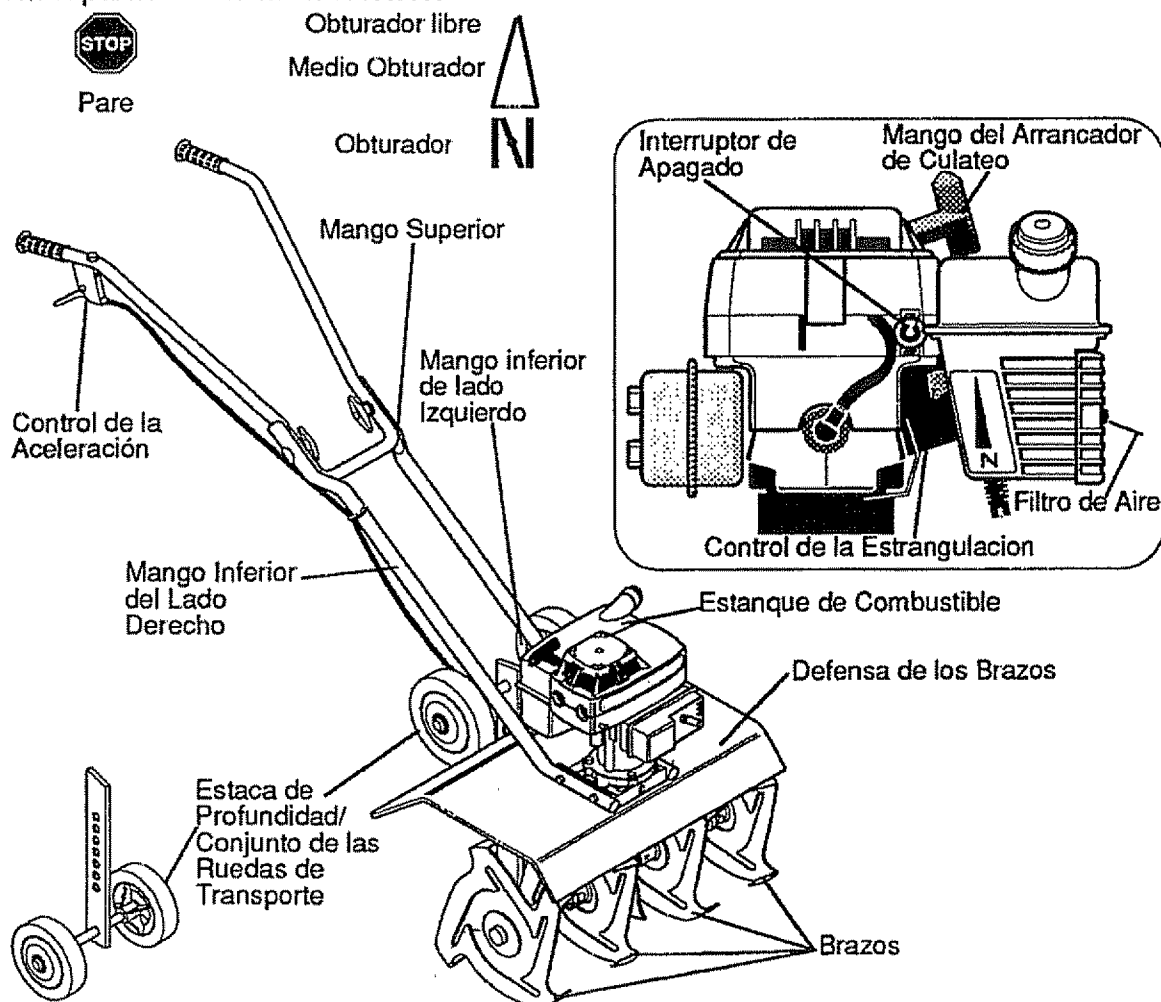
HAGA EL FAVOR DE REVISAR LA LISTA A CONTINUACION:

- ✓ Se han completado todas las instrucciones de montaje.
 - ✓ No quedan partes sueltas en la caja de cartón.
 - ✓ Revise si hay sujetadores sueltos.
- Al mismo tiempo que como usar su CULTIVADORA/ZURCADORA, preste atención extra a los puntos de importancia que se presentana continuación:
- ✓✓ El tanque de combustible está lleno con la mezcla correcta de gasolina y aceite.
 - ✓✓ Familiarícese con la ubicación y la función de todos los controles. Opérelos antes de hacer arrancar el motor.

OPERACION

CONOZCA SU CULTIVADORA/ZURCADORA

LEA ESTE MANUAL DEL DUEÑO Y LAS REGLAS DE SEGURIDAD ANTES DE OPERAR CULTIVADORA/ZURCADORA. Compare las ilustraciones con su cultivadora/zurcadora para familiarizarse con la ubicación de los diversos controles y ajustes. Guarde este manual para referencia en el futuro.



Control de la Aceleración - Controla la velocidad del motor y la rotación de los brazos. La cultivadora/zurcadora está equipada con un embrague centrífugo que engancha al sistema de impulsión de los brazos cuando aumenta la velocidad del motor.

Palanca de control de la Estrangulación – Se usa para ayudar a hacer arrancar un motor frío.

Interruptor de Apagado – Se usa para parar el motor.

Mango del Arrancador – El motor de esta cultivadora/zurcadora cuenta con arrancador de culateo fácil de tirar.

Estaca de Profundidad/Conjunto de las ruedas de transporte – Se usa (con las ruedas levantadas) cuando se está labrando o cultivando para ajustar la profundidad del corte. También actúa como un freno para ayudar al operador a controlar la dirección y la velocidad de la unidad.

La estaca de profundidad/conjunto de las ruedas de transporte (con las ruedas bajadas) se puede usar para transportar la unidad.

COMO USAR SU / ZURCADORACULTIVADORA

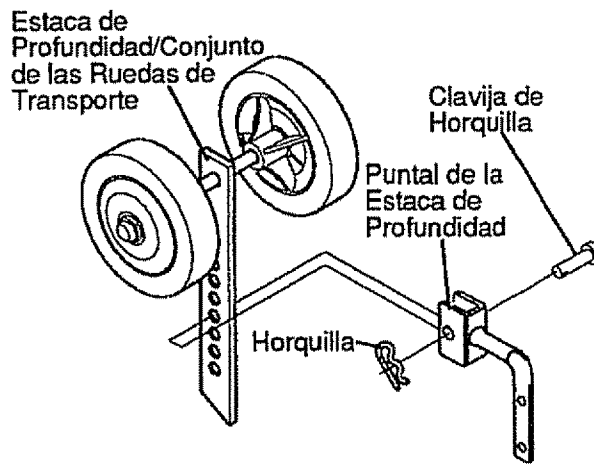
⚠ ADVERTENCIA: La operación de esta cultivadora/zurcadora puede hacer que salten objetos extraños dentro de sus ojos, lo que puede producir daños graves en éstos. Siempre use anteojos de seguridad o protecciones para los ojos al operar la cultivadora/zurcadora.

- Suelte el control de la aceleración para parar los brazos.
- Mueva el interruptor de apagado en el motor a la posición de "APAGADO" (OFF).

PARA OPERAR LA ZURCADORA/CULTIVADORA

- Coloque la estaca de profundidad/conjunto de las ruedas de transporte en la posición de labrar deseada de la siguiente manera:
- Remueva el pasador de horquilla de la clavija de horquilla que aseguran la estaca de profundidad vea que viene figura. Remueva la clavija de horquilla y ajuste la estaca de profundidad hacia arriba para excavar con menos profundidad o hacia abajo para excavar con más profundidad. Vuelva a colocar la

clavija de horquilla y el pasador de horquilla.



- Haga arrancar el motor, incline la unidad hacia atrás en la estaca de profundidad hasta que los brazos salgan del suelo y apriete el control de la aceleración, totalmente hacia arriba, en contra de la agarradera. El motor está controlado con el regulador y debería funcionar a una aceleración completa.
- Agarre los mangos firmemente y lentamente incline la unidad hacia adelante para empezar con la acción del cultivo.
- A medida que los brazos empiezan a hacer contacto con el suelo, sujete los mangos de modo que los brazos excaven y no se arrastren hacia adelante sobre el suelo. Sujételos hacia atrás hasta que los brazos excaven el suelo.
- Si la profundidad del cultivo es excesiva o no suficiente, apague el motor y vuelva a ajustar la estaca de profundidad.
- Si la estaca de profundidad no está controlando la acción de avance, baje la estaca de profundidad. Si la unidad no está avanzando, eleve la estaca de profundidad.

⚠ PRECAUCION: Manténgase alejado de los brazos rotatorios. Los Brazos Rotatorios pueden producir lesiones.

ANTES DE HACER ARRANCAR EL MOTOR

RELLENO DE GASOLINA

El motor de dos tiempos que se usa en esta cultivadora/zurcadora necesita una mezcla de gasolina y aceite para lubricar los rodamientos y las demás partes movibles. La proporción de la mezcla de combustible correcta es de 24:1 (vea la Tabla de la Mezcla de Combustible). La gasolina y el aceite se deben mezclar por anticipado en

un envase de gasolina limpio. Siempre use gasolina nueva, limpia y sin plomo.

⚠ PRECAUCION: La gasolina es inflamable y se tiene que tener cuidado cuando se maneje o almacene. No llene el estanque de combustible mientras que la cultivadora/zurcadora esta funcionando, cuando esta caliente o cuando esta en un recinto cerrado. Mantengala alejada de una llama expuesta, de las chispas electricas y no fume cuando mezcle el combustible o cuando llene el estanque de combustible. Nunca llene el estanque de combustible completamente: sino que llene el estanque hasta dentro de 1/4-1/2 Pulgada desde la parte superior para permitir la expansion del combustible. Siempre llene el estanque de combustible afuera y use un embudo o un pico para evitar el derrame. Asegurese de limpiar todo el combustible derramado antes de hacer arrancar el motor.

Almacene la gasolina envase aprobado y limpio y mantenga la tapa de este en su lugar. Guarde la gasolina en un lugar fresco y bien ventilado: nunca en la casa. Nunca compre mas gasolina que la que necesita para 30 dias para asegurar la volatilidad. La gasolina tiene como fin servir de combustible en motores de combustion interna; por lo tanto, no use la gasolina par ningun otro fin. Dado que a muchos niños les gusta el olor de la gasolina, mantengala alejada de su alcance pues los vapores son peligrosos de aspirar, asi como explosivo.

⚠ ADVERTENCIA: La experiencia ha indicado que los combustibles mezclados con alcohol (conocidos como gasohol, o el uso de etanol o metanol) pueden atraer la humedad, la que conduce a la separación y formación de ácidos durante el almacenamiento. La gasolina acídica puede dañar el sistema del combustible de un motor durante el almacenamiento. Para evitar los problemas con el motor, se debe vaciar el sistema de combustible antes de guardarlo por un período de 30 días o más. Vacíe el estanque de combustible, haga arrancar el motor y hágalo funcionar hasta que las líneas del combustible y el carburador queden vacíos. La próxima temporada use combustible nuevo. Vea las instrucciones de Almacenamiento para más información. Nunca use productos de limpieza para el motor o para el carburador en el estanque del combustible, pues se

MEZCLA DE GASOLINA Y ACEITE

Mezcle la gasolina y el aceite 24:1 vea tabla según lo siguiente:

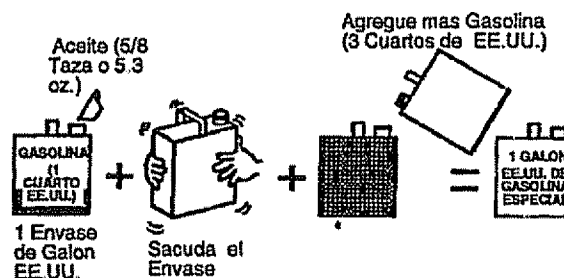
- Vacíe un cuarto de gasolina de automóviles de los Estados Unidos nueva, limpia y sin plomo en un envase de gasolina de un galón.
- Agregue (5.3 oz) de aceite de alta calidad, limpio, SAE 30 o SAE 40, para los motores de dos tiempos, dentro del envase de gasolina.

TABLA DE LA MEZCLA DE COMBUSTIBLE (Mezcla de 24:1)

IMPORTANTE: NO USE aceite de motores fuera de borda o aceites de multiviscosidad, tales como el 10W-30 O 10W-40.

- Vuelva a poner la tapa en el envase de gasolina y sacúdalo vigorosamente de modo que el aceite y la gasolina se mezclen.
- Esta cultivadora/zurcadora fue enviada con un contenedor de aceite dos tiempos.
- Agregue otros 3 cuartos de galón de los Estados Unidos más al envase de un galón y sacúdalo de nuevo.
- Esto completa el procedimiento para la mezcla de gasolina especial. Ahora se puede vaciar en el estanque de combustible de la cultivadora/zurcadora.

IMPORTANTE: No llene el estanque con gasolina que no tenga aceite mezclado en ella. No use aditivos para la gasolina, porque el motor puede dañarse. Sacuda el envase de la gasolina antes de cada vez que llene el estanque de gasolina.



ESTADOS UNIDOS		METRICO	
GASOLINA	ACEITE	GASOLINA	ACEITE
1 Gal.	5.3 oz.	4 Liters	.167 L
2 Gal.	11 oz.	8 Liters	.333 L
5 Gal.	27 oz.	20 Liters	.833 L

PARA HACER ARRANCAR EL MOTOR

Antes de hacer arrancar el motor, asegúrese de que haya leído y comprendido todas las instrucciones en las páginas anteriores.

- Llene el estanque de combustible (1/2 pulgada por debajo de la parte inferior del cuello para relleno) con una mezcla de combustible nueva y vuelva a instalar la tapa del estanque de combustible en forma segura. Nunca use combustible que pueda estar rancio debido a un largo período de almacenamiento.
- Mueva el interruptor de apagado a la posición de "ENCENDIDO" (ON).
- Mueva el control de la estrangulación vea figura página 29 a la posición de estrangulación "COMPLETA" (FULL) (hasta abajo del todo).

AVISO: Un motor caliente no debe necesitar estrangulación.

- Inclíne la mini zrcadora/cultivadora de vuelta sobre la estaca de profundidad para levantar los brazos fuera del suelo.
- Agarre el mango superior firmemente para estabilizar la mini zrcadora/cultivadora y tire el mango del arrancador con tiros cortos y rápidos. No permita que el mango del arrancador se devuelva abruptamente, déjelo que se vuelva a enrollar lentamente al mismo tiempo que se sujeta el cordón del arrancador. Se necesitarán unos cuantos tiros en el mango del arrancador para alimentar la gasolina desde el estanque de combustible al carburador.
- Cuando el motor arranque, mueva el control de estrangulación a la posición de MEDIA ESTRANGULACION (HALF CHOKE) hasta que el motor empiece a funcionar uniformemente. Luego mueva el control de estrangulación a la posición de SIN ESTRANGULACION (NO CHOKE) (completamente hasta arriba).
- Si el motor falla, mueva el control de estrangulación a la posición de MEDIA ESTRANGULACION (HALF CHOKE) hasta que el motor empiece a funcionar uniformemente. Luego mueva el control de estrangulación a la posición de SIN ESTRANGULACION (NO CHOKE).
- Si el motor arranca, pero no continúa funcionando, mueva el control de estrangulación a la posición de SIN

ESTRANGULACION (NO CHOKE) y repita las instrucciones de arranque.

AVISO: Si los brazos no paran cuando se suelta el control de la aceleración, vuelva a ajustar la velocidad en vacío del carburador, según se señala en el Paso 5 del párrafo del Ajuste del Carburador en la sección de Servicio/Ajustes de este manual.

- Para parar el motor, suelte el control de la aceleración y mueva el interruptor de apagado a la posición de "APAGADO" (OFF).
- Si se ahoga el motor vea el párrafo de Mantenimiento de la Bujía en la sección de Mantenimiento de este manual. Luego tire el cordón arrancador con la palanca de la estrangulación a la posición de SIN ESTRANGULACION (NO CHOKE).

PRECAUCION: El silenciador y las áreas de alrededor se calientan después de hacer funcionar el motor. Evite estas áreas.

CONSEJOS PARA MINI ZRCADORA/CULTIVADORA

- El cultivo quiere decir el excavar, dar vuelta y romper el suelo duro antes de plantar. El suelo suelto y blando permite el desarrollo de las raíces. La mejor profundidad de cultivo es 4 a 6 pulgadas. La cultivadora/zrcadora también puede despejar el suelo de las malezas indeseables. La descomposición de estas malezas enriquece el suelo. Dependiendo del clima (lluvia o viento), puede ser recomendable cultivar el suelo a fines de la temporada de cultivo para acondicionarlo aún más.
- Evite cultivar el suelo que está demasiado seco, pues éste se pulveriza y produce un polvo que no puede retener el agua. También, será difícil para la máquina cultivar el suelo que está demasiado mojado y producirá terrones no satisfactorios.
- Se obtendrá un mejor crecimiento en el suelo cultivado si se cultiva un área pequeña en forma adecuada y se usa el terreno cultivado muy pronto después de cultivar para retener la humedad.
- La estaca de profundidad (en la parte posterior de la cultivadora/zrcadora) sirve un fin doble vea figura página 30).

Ayuda a regular la profundidad del corte a un nivel uniforme y también sirve de freno para ayudarle al operador a controlar la velocidad de la cultivadora/zurcadora.

- Si se baja la estaca de profundidad hará que la cultivadora/zurcadora ande más lento y hará que el cultivo sea más profundo. Si se levanta la barra de profundidad hará que la cultivadora/zurcadora ande más rápido y que el cultivo sea menos profundo.
- Si la cultivadora para el movimiento hacia adelante y trata de excavar más profundamente que lo necesario, mueva los mangos de lado a lado para empezar el movimiento hacia adelante.

CONSEJOS PARA LABRAR

- Cuando use la cultivadora/zurcadora para remover malezas, lo mejor es cultivar a una profundidad de menos de 3,8 cm (1-1/2 pulgadas).
- Cuando se cultive alrededor de las plantas, o de áreas cerradas, sería deseable remover los brazos exteriores (vea el párrafo paracambiar los brazos en la sección de **Servicio/Ajustes** de este manual).

PRECAUCION:

- Lea el manual del dueño.
- Conozca la ubicación las funciones de todos los controles.
- Mantenga todos los dispositivos de seguridad y protecciones en su lugar.

- Nunca permita que las niños o los adultos que no tienen conocimiento de la máquina usen la cultivadora/zurcadora.
- Apague el motor antes de destapar las puntas o de hacer reparaciones.
- Mantenga los espectadores alejados de la maquina.
- Mantengase alejado de las partes rotatorias.
- Mantengase alejado de las puntas rotatorias.
- Las puntas rotatorias pueden producir lesiones.

ESPECIFICACIONES DEL PRODUCTO

Caballos de Fuerza:	536.797502
Desokazanuebti:	2.0 pulgadas cuadradas (32.8 cc)
Capacidad de Gasolina:	20 oz. Sinplomo (unleaded)
Porporcion de Combustible/Aceite:	24:1 Gasolina a aceite) 5.3 oz Aceite/ 1Gal de gasolina)
Bujia:	Champion RCJ-8Y pulg distancia disruptiva 0.035 pulg.
Idle RPM	1700-3000

MANTENIMIENTO

REGISTROS DE SERVICIO Llene las fechas a medida que completa el servicio regular	PROGRAMA						FECHAS DE SERVICIO			
	Antes de cada uso	Después de las 2 primeras horas	Cada 25 Horas	Cada 75 Horas	Antes del almacenamiento	Antes de cada temporada				
Apriete todos los tornillos y tuercas	✓	✓								
Lubrique la transmisión			✓		✓					
Lubrique el eje de los brazos			✓			✓				
Revise la bujia			✓		✓					
Limpie y vuelva a aceitar el filtro de aire			✓		✓					
Cylinder exhaust pipes				✓						
Drene el combustible					✓					

GENERALIDADES

La garantía de esta cultivadora/zurcadora no cubre los artículos que han estado sujetos al abuso o a la negligencia del operador. Para recibir el valor completo de la garantía, el operador tiene que mantener la cultivadora/zurcadora según las instrucciones de este manual. La tabla se proporciona para ayudarle al operador a mantener la cultivadora/zurcadora en forma adecuada.

LUBRICACION

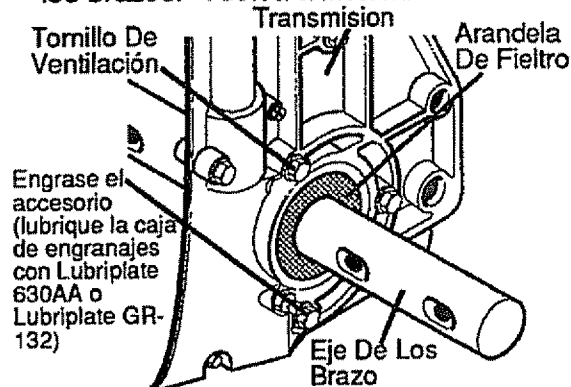
Cada 25 horas y/o al comienzo de cada estación, la caja de engranajes se debe llenar con lubricante. En la mayoría de las tiendas de abastecimientos para automóviles se encuentran disponibles tubos de lubricante para engranajes. Use una grasa para herramientas portátiles como Lubriplate 630AA (Producto N° 06787 tubo de 1-3/4 oz.) o Lubriplate GR-132 (Producto N° 15892 tubo de 10 oz.). Se tiene ue aplicar aceite al eje de los brazos antes de guardarla por períodos largos y después de que se ha limpiado enjuagándola con agua. La ilustración a la derecha se proporciona para ayudarle al operador a mantener la cultivadora/zurcadora en forma adecuada. La siguiente ilustración se proporciona para ayudar al operador en el mantenimiento adecuado de la cultivadora/zurcadora.

⚠ PRECAUCION: Permita que se enfríe la transmisión antes de llenarla con grasa.

- Remueva ambos brazos del lado izquierdo (vea la sección de Servicio y Ajustes en este manual).
- Remueva el tornillo de ventilación de aire (vea figura) de la parte superior del lado izquierdo de la transmisión.
- Con una pistola de grasa, llene la transmisión a través del accesorio de grasa hasta que la grasa nueva empiece a salir del agujero del tornillo de la ventilación de aire.
- Vuelva a instalar el tornillo de la ventilación de aire.
- Revise la condición de la arandela de fieltro en el lado de la transmisión en el eje de los brazos (vea que viene figura). Cambie la arandela de fieltro, si está dañada (vea la sección de Partes de Repuesto en este manual).
- Limpie el eje de los brazos, reparta unas cuantas gotas de aceite en el eje, en las

áreas donde se cambian los brazos. Vuelva a instalar los brazos.

- Remueva los brazos del lado derecho. Revise la arandela de fieltro para verificar si está dañada, limpie y aceite el eje de los brazos. Vuelva a instalar los brazos.



Vista Del Lado Izquierdo Con Los Brazos Removidos

MOTOR

MANTENIMIENTO DE LA BUJÍA

Si se ahoga el motor, limpie el área alrededor de la base de la bujía para evitar que el material extraño entre en los cilindros cuando se remueva la bujía. Remueva y seque la bujía. Vuelva a ajustar los electrodos a 0.035" si es necesario. Si se necesita una bujía nueva refiérase a la tabla de Especificaciones del Producto que aparece en este manual para poder realizar el cambio en forma apropiada. Apriete la bujía firmemente. Si hay disponible una llave de torsión, torsione la bujía a 15 pies libra.

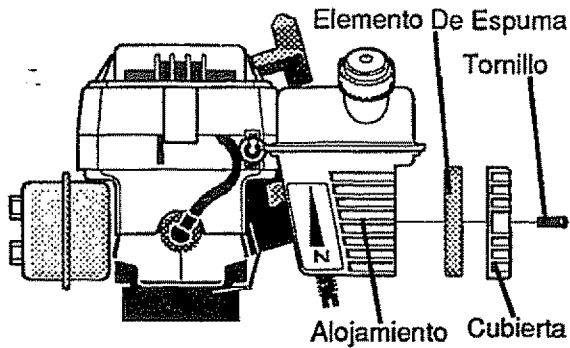
MANTENIMIENTO DEL FILTRO DE AIRE

El filtro de aire tiene que limpiarse y aceitarse después de cada 25 horas de uso. Límpiolo más a menudo bajo condiciones polvorosas.

IMPORTANTE: Se puede desgastar el motor en un corto periodo de tiempo si se permite que la mugre o la arena entren en el motor.

Para limpiar el filtro de aire, siga los siguientes pasos:

- Afloje los tornillos de la tapa del filtro de aire (vea figura página 35) y quite la tapa.
- Quite el elemento de espuma del filtro de aire.
- Limpie el interior del alojamiento del filtro de aire.
- Limpie el elemento de espuma lavándolo en una solución fuerte de agua con detergente del hogar. Después enjuáguelo bien en agua limpia.



- Envuelva el elemento de espuma en un paño limpio y escurra (no lo tuerza) todo el líquido hasta que se quede seco.
- Cubra los extremos y el lado del elemento de espuma con el mismo aceite usado en la mezcla de combustible. Dé un masaje al elemento de espuma con los dedos para distribuir el aceite y eliminar el exceso de aceite.
- Vuelva a colocar el elemento de espuma en el alojamiento del filtro de aire.
- Dé mantenimiento al elemento de espuma con cuidado, inspección para verificar si hay deterioro o daño. Si el filtro de aire está defectuoso, si se le da un mantenimiento inadecuado, o si está mal montado, permitirá que partículas de suciedad entren en el motor.
- Vuelva a montar el filtro vea la figura superior. Coloque la tapa en el alojamiento del filtro de aire y apriete los tornillos para asegurar la tapa en el alojamiento.

⚠ PRECAUCION: Nunca haga funcionar el motor sin el elemento del filtro de aire instalado. Un filtro de aire con defectos puede producir pérdida de la fuerza del motor y puede producir desgaste excesivo o daño en los componentes del motor si se permite que la mugre o el polvo entren al motor a través del carburador. Si el filtro de aire esta taponado con polvo o mugre tiene que limpiarse y volverse a aceitar.

ORIFICIOS DE DESCARGA DEL CILINDRO

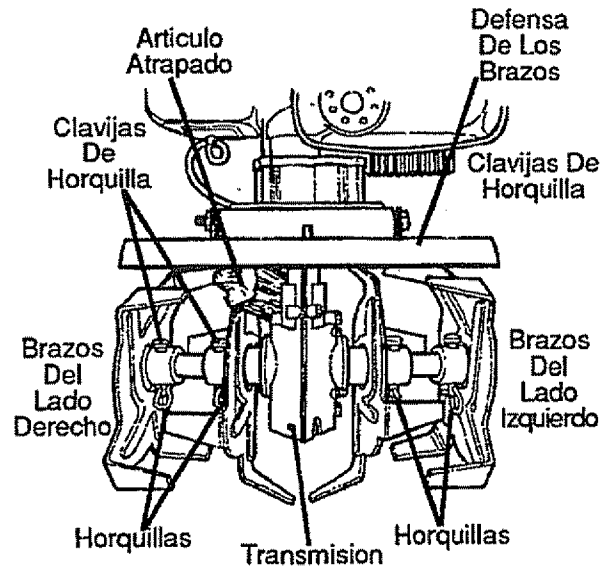
Los orificios de descarga del cilindro tienen que limpiarse después de cada setenta y cinco (75) a cien (100) horas de operación. Con este fin le recomendamos que lleve su unidad a un técnico capacitado para trabajar en motores de dos tiempos, al centro de servicio Craftsman.

LIMPIEZA

Siempre remueva la mugre y la basura de la cultivadora/zurcadora después de cada uso vea la figura abajo. Remueva cualquier cordel, alambre o la vegetación que puedan haberse quedado atrapados en el mecanismo y detenido la rotación de los brazos. Proceda según lo siguiente:

- Suelte el control de la aceleración y mueva el interruptor de apagado a la posición de "APAGADO" (OFF), luego desconecte el alambre de la bujía.
- Remueva la horquilla y la clavija de horquilla que aseguran el conjunto del brazo(s) en el eje y remueva los brazos vea la figura abajo.
- Remueva el material atrapado. Vuelva a montar los brazos en el eje y asegúrelos con una clavija de horquilla y con la horquilla.
- Vuelva a conectar el alambre de la bujía y vuelva a hacer arrancar el motor.

Vista Delantera



SERVICIO Y AJUSTES

CAMBIO DE LOS BRAZOS

El lado derecho o lado izquierdo de la mini zircadora/cultivadora se determina según la posición del operador detrás de la unidad.

Los cuatro brazos de esta unidad son distintos y no se pueden intercambiar. Los brazos se tienen que instalar en forma adecuada según se muestra en las que viene figuras, a la derecha o a, la mini zircadora/cultivadora no va a funcionar en forma adecuada.

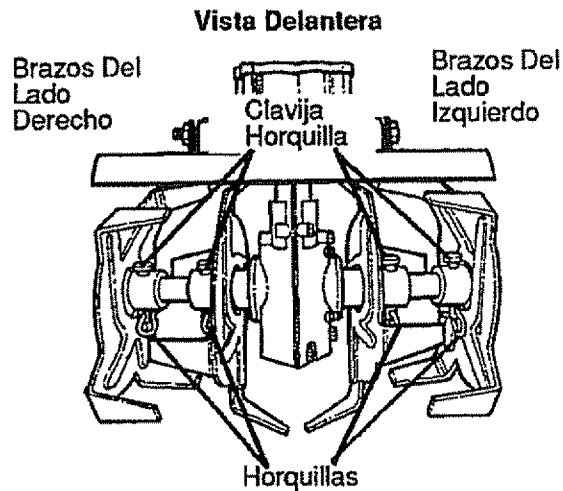
Cuando se trabaje cerca de las plantas o en áreas pequeñas, se pueden remover los brazos exteriores para reducir el ancho de cultivo a alrededor de 7 pulgadas. Para volver instalar los brazos exteriores vea a continuación.

⚠ PRECAUCION: Los brazos son autoafilables y se pondrán bastante afilados debido al uso. Manejelos con cuidado.

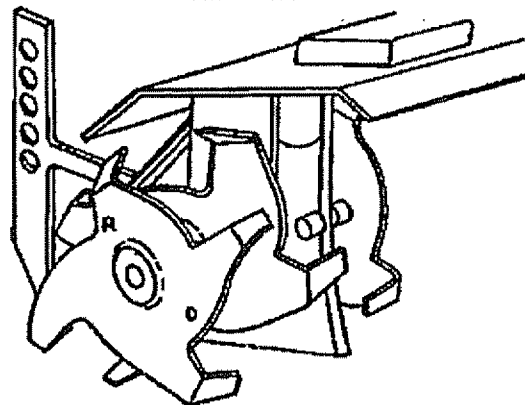
Los brazos se van a desgastar todos en forma pareja. Si se cambian debido al desgaste, le recomendamos que se cambien los cuatro al mismo tiempo. Para cambiar los brazos haga lo siguiente:

- Ponga el interruptor de apagado en la posición de "APAGADO" (OFF) y desconecte el alambre de la bujía.
- Remueva las horquillas y las clavijas de horquilla de los brazos en un lado de la unidad y remueva los brazos.
- Limpie el eje de los brazos y aceite el eje en las ubicaciones de los brazos.
- Ponga el brazo interior en el eje de los brazos y vuelva a instalar la clavija de horquilla y la horquilla.
- Cuando los brazos se han instalado en forma adecuada, quedará visible la letra R en el lado exterior del brazo del lado derecho (la letra L quedará visible en el brazo del lado izquierdo). La letra debe aparecer en el lugar opuesto al pequeño agujero en el lado del brazo.
- Ponga el brazo exterior en el eje de los brazos y vuelva a instalar la clavija de horquilla y el pasador de horquilla.
- Las puntas de corte del brazo exterior van a quedar dobladas hacia el brazo interior. La letra R en el lado derecho o la letra L en el lado izquierdo debe quedar visible desde la parte exterior de la unidad.
- Repita los pasos para el lado opuesto de la unidad.

- Revise para asegurarse que los brazos queden instalados en el lado correcto de la unidad.



Brazos Del Lado Derecho Instalados En Forma Adecuada



AJUSTE DEL CARBURADOR

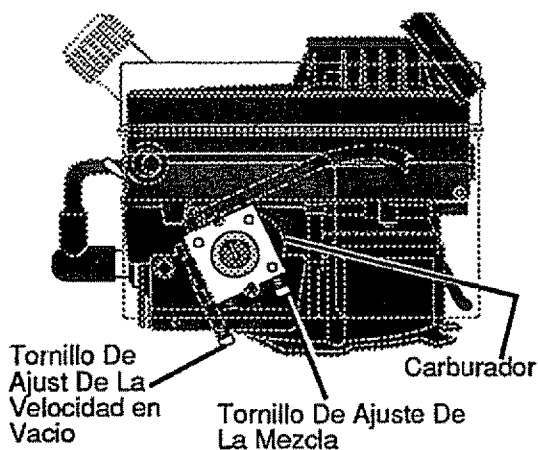
Si el filtro de aire está sucio el motor va a funcionar inadecuadamente y/o echará humo en forma excesiva. Asegúrese que el filtro de aire esté limpio antes de ajustar el carburador. Nunca haga ajustes innecesarios en el carburador. El carburador se ajustó en la fábrica para poder operar en forma eficiente, bajo la mayoría de las aplicaciones. Sin embargo, si se necesita hacer ajustes, le recomendamos que se ponga en contacto con su Centro de Servicio Craftsman más cercano. Si cree que usted es competente como para hacer ajustes en el carburador proceda según lo siguiente:

⚠ PRECAUCION: Tenga mucho cuidado cuando haga ajustes que exigen que el motor este funcionando. Mantenga

las manos, los pies, el pelo y la ropa suelta alejados de las partes en movimiento.

- Gire el tornillo de ajuste de la mezcla vea la figura abajo en el sentido de las manillas del reloj para cerrarlo.

Motor Con el Filtro De Aire Removido



IMPORTANTE: Apriete el tornillo de ajuste con los dedos para evitar el daño en el carburador o en el tornillo de ajuste.

- Gire el tornillo de la mezcla en el sentido contrario a las manillas del reloj abriéndolo una (1) vuelta.
- Haga arrancar el motor y permita que se caliente aproximadamente de 3 a 5 minutos. No ajuste el carburador cuando el motor está frío.
- Si el motor titubea o para después de que la palanca de la estrangulación se mueva a la posición de "APAGADO" (OFF), abra el tornillo de ajuste de la mezcla 1/8 de vuelta adicional en el sentido contrario a las manillas del reloj.
- Con el motor funcionando, suelte el control de la aceleración (posición en vacío) para hacer los ajustes de la mezcla.
- Gire el tornillo de ajuste de la mezcla vea la figura arriba, lentamente, en el sentido de las manillas del reloj, hasta que el motor titubee. Fíjese cuál es esta

ubicación.

- Gire el tornillo de ajuste de la mezcla, lentamente, en el sentido contrario a las manillas del reloj, hasta que el motor empieza a chisporrotear. Fíjese cuál es esta ubicación.
- Gire el tornillo de ajuste de la mezcla, en el sentido de las manillas del reloj, hasta que llegue a medio camino entre la primera posición, cuando el motor titubeaba, y la segunda posición cuando el motor empezó.
- Puede que sea necesario ajustar la velocidad en vacío después de hacer el ajuste de la mezcla. Si los brazos no giran cuando el motor está funcionando y se suelta el control de la aceleración, la velocidad en vacío no va a necesitar ajuste. Si los brazos giran cuando se suelta el control de la aceleración, haga lo siguiente:
- Haga que alguien incline la cultivadora/zurcadora hacia atrás, sobre la estaca de profundidad, de modo que los brazos queden levantados del suelo.
- Haga arrancar el motor.
- Con la aceleración en la posición suelta (vacío), gire el tornillo de ajuste de la velocidad en vacío, en el sentido contrario a las manillas del reloj, hasta que los brazos dejen de rotar.

⚠ PRECAUCION: Nunca manipulee el regulador del motor, el que ha sido ajustado en la fabrica para la velocidad del motor adecuada. Puede ser peligroso hacer funcionar el motor a una velocidad por sobre el ajuste de alta velocidad de la fabrica. Si cree que la velocidad alta regulada del motor necesita ajuste, pongase en contacto con su centro de servicio Craftsman autorizado mas cercano.

ALMACENAMIENTO

⚠ PRECAUCION: Nunca almacene el motor con combustible en el estanque en un recinto cerrado o en un area cerrada y mal ventilada en donde los vapores de la gasolina puedan alcanzar una llama espuesta, una chispa, o una luz piloto como las calderas, el calentador de agua, la secadora de ropa, etc.

AVISO: Al final de la temporada, la

cultivadora/zurcadora debe prepararse inmediatamente para el almacenamiento, o cuando la unidad no se va a usar por 30 días o más.

CULTIVADORA/ZURCADORA

- Limpie cuidadosamente la cultivadora/zurcadora. Remueva toda la mugre y la basura del motor y de la unidad.

- Remueva los brazos y aceite el eje de los brazos y vuelva a instalarlos (vea la sección de Servicio y Ajustes en este manual).
- Suelte las manillas T que aseguran el mango superior al mango inferior.
- Con cuidado, doble el mango superior hacia abajo asegurándose que la aceleración no está enredada. Apriete las manillas T.
- La pieza transversal del mango superior (entre los mangos inferiores) ahora se puede usar como un mango portador o se puede colgar en un gancho de la pared para almacenar la cultivadora/zurcadora colgada fuera del piso y fuera del paso.
- Si es posible, guarde su cultivadora/zurcadora en un recinto cerrado y cúbrala para protegerla contra el polvo y la mugre.
- Cubra la cultivadora/zurcadora con una cubierta protectora adecuada que no retenga la humedad. No use plástico.

IMPORTANTE: Nunca cubra la cultivadora/zurcadora cuando el motor el area de escape aun estan calientes.

AVISO: Una buena forma de asegurarse que la mini zurcadora/cultivadora le entregará un rendimiento máximo la próxima temporada es llevarla una vez al año al Centro de Servicio Craftsman para revisarla o afinarla.

MOTOR

IMPORTANTE: Es importante evitar que se formen depositos de goma en partes fundamentales del sistema de combustible, tales como, el carburador, el filtro del combustible, la manguera del combustible o en el estanque durante el almacenamiento. La experiencia tambien indica que los combustibles mezclados con alcohol (conocido como gasohol o que tienen etanol o metanol) pueden atraer humedad, lo que conduce a la separacion y a la formacion de acidos durante el almacenamiento. La gasolina acidica puede dañar el sistema de combustible de un motor durante el periodo de almacenamiento.

- Drene el combustible del estanque del combustible en un envase aprobado afuera, alejado de una llama expuesta.
- Haga arrancar el motor hasta que pare debido a la falta de combustible.
- Tire el mango del arrancador, lentamente, hasta que sienta resistencia debido a la presión de la compresión, luego pare.
- Suelte la tensión del arrancador lentamente para evitar que el motor ande marcha atrás debido a la presión de la compresión. Esta posición cerrará tanto el agujero de admisión como el de descarga, para evitar la corrosión del pistón y del diámetro interior del cilindro.

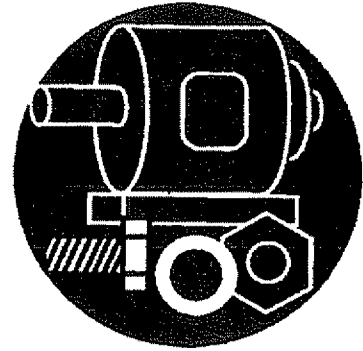
IDENTIFICACION DE PROBLEMAS

PROBLEMA	CAUSA	CORRECCION
Arranque difícil	Mezcla de combustible rancia	Drene el estanque de combustible. Llénelo con mezcla nueva.
	Demasiado aceite en la mezcla	Revise la tabla de la mezcla del combustible y mezcle combustible nuevo.
El motor funciona erráticamente	Mugre en el estanque de combustible o sin combustible	Limpie el estanque de combustible. El estanque de combustible tiene que estar lleno hasta la mitad cuando se hace arrancar el motor.
	Carburador desajustado	Vea la sección de ajuste del carburador.
El motor no funciona a velocidad completa	Bujía mala	Limpie y vuelva a ajustar la abertura de la bujía
	Filtro de aire taponado	Limpie y vuelva a aceitar el filtro de aire
	La murga interfiere con el varillaje de la aceleración	Sople la murga y la basura fuera de la parte superior del carburador
La velocidad del motor no aumenta en forma adecuada	La murga interfiere con el varillaje de la aceleración	Sople la murga y la basura fuera de la parte superior del carburador
El motor echa mucho humo	Filtro de aire taponado Demasiado aceite en la mezcla de combustible	Limpie y vuelva a aceitar el filtro de aire. Revise la tabla de la mezcla de combustible y mezcle combustible nuevo.
Los brazos continúan rotando cuando se suelta el control de la aceleración	Carburador desajustado	Ajuste la velocidad en vacío del carburador. Vea el párrafo del Ajuste del Carburador en la sección de Servicio y Ajustes de este manual.
Los brazos no giran	Objeto extraño atrapado en los brazos	Remueva el artículo atrapado. Vea Mantenimiento. Limpia en la sección de Operación de este manual.
La unidad no cultiva en forma adecuada	Instalación de los brazos incorrecta	Revise los brazos para verificar si están instalados en forma adecuada. Vea Cambio de los Brazos en la sección de Servicio y Ajustes de este manual.

For the repair or replacement parts you need delivered directly to your home
Call 7 am-7 pm, 7 days a week
1-800-366-PART

(1-800-366-7278)

Para ordenar piezas con entrega a domicilio -1-800-659-7084



For in-house major brand repair service
Call 24 hours a day, 7 days a week
1-800-4-REPAIR

(1-800-473-7247)

Para pedir servicio de reparación a domicilio - 1-800-676-5811



For the location of a Sears Parts and Repair Center in your area
Call 24 hours a day, 7 days a week
1-800-488-1222



For information on purchasing a Sears Maintenance Agreement or to inquire about an existing Agreement
Call 9 am -5pm, Monday-Saturday
1-800-827-6655



When requesting service or ordering parts, always provide the following information:

- Product Type
- Part Number
- Model Number
- Part Description

SEARS
REPAIR SERVICES

America's Repair Specialists

Printed in U.S.A.