

# ***Amana***®

## **Side-by-Side Refrigerator Owner's Manual**


English .....	2
Français .....	19
Sección de castellano .....	39


Keep these instructions for future reference. Be sure this manual stays with refrigerator

# Contents

Electrical Requirements .....	2
Model Identification .....	2
Proper Disposal of your Refrigerator .....	3
Installation Instructions .....	4
Installation Checklist .....	6
Controls .....	7
Fresh Food and Deepfreeze® Controls .....	7
Setting Controls .....	7
Touchmatic™ Electronic Controls (some models) ....	7
Fresh Food Features	
Fresh Food Shelves .....	8
Chiller Fresh™ System (some models) .....	9
Garden Fresh™ Crispers .....	9
Storage Rack (some models) .....	9
Covered Storage Bucket (some models) .....	10
Dairy Center (some models) .....	10
Snack Chiller (some models) .....	10
Temperature Controlled Beverage Chiller™ (some models) .....	10
Door Buckets .....	11
Door Shelves .....	11
Adjustable Divider (Some models) .....	11
Deepfreeze® Features	
Automatic Ice Maker (some models) .....	12
Deepfreeze® Rack (some models) .....	12
Stor-Mor® System .....	13
Door Dikes (some models) .....	13
Tall Package Retainer (some models) .....	13
Ice 'N' Water™ Dispenser (some models) .....	13
Water Dispenser Operation .....	13
Ice Dispenser Operation .....	14
Removing Ice Bucket .....	14
Dispenser Light (some models) .....	14
Taste and Odor .....	14
Care and Cleaning	
General .....	15
Odor Removal .....	15
Adhesives .....	15
Door Gaskets .....	15
Condenser Coils .....	15
Glass Shelves .....	15
Light Bulbs .....	16
Normal Operating Sounds .....	17
Before Calling For Service .....	17
Asure™ Service Plan .....	18
Energy Tips .....	18
Vacation Tips .....	18
Warranty (Nonelectronic Models) .....	19
Warranty (Electronic Models) .....	19

# Electrical Requirements

 **Recognize this symbol as a safety precaution.**


 **WARNING**

To prevent electrical shock which can cause severe person injury or death this refrigerator must be properly grounded.

Electrical Grounding Instructions — This refrigerator is equipped with a three-prong (grounding) plug for protection against possible shock hazards. If a two-prong wall receptacle is encountered, contact a qualified electrician and have the two-prong wall receptacle replaced with a properly grounded three-prong wall receptacle in accordance with the National Electrical Code.

Refrigerator is designed to operate on a separate 103 to 126 volt, 15 amp., 60 cycle line.

**Do not under any circumstances cut or remove the round grounding prong from the plug. Refrigerator must be grounded at all times. Do not remove warning tag from power cord.**

 **WARNING**

**Do not use a two-prong adapter. Do not use an extension cord.**

## Model Identification

Thank you for purchasing this Amana® refrigerator. Please read this Owner's Manual thoroughly. This manual provides proper maintenance information. Any questions, call the Consumer Affairs Department at **1-800-843-0304** inside U.S.A. and **1-319-622-5511** outside U.S.A.

**Complete registration card** and promptly return. If registration card is missing, call the Consumer Affairs Department. **Keep a copy of sales receipt** for future reference.

When contacting Amana, provide product information. Product information is on the serial plate, located on (upper left corner, ceiling) of Fresh Food section. Record the following information:

Model Number: \_\_\_\_\_

Manufacturing Number: \_\_\_\_\_

S/N or Serial Number: \_\_\_\_\_

Date of purchase: \_\_\_\_\_

Dealer's name and address: \_\_\_\_\_



---

Amana also has a network of independent authorized technicians. Locate a Factory Service Center or independent authorized Amana technician by calling **1-800-628-5782** inside U.S.A. and **1-319-622-5511** outside U.S.A. Warranty service must be performed by an **authorized** Amana technician. Amana also recommends contacting an **authorized** Amana technician if service is required after warranty expires.

Amana offers a complete line of appliances: cooktops, dishwashers, dryers, freezers, microwave ovens, ranges, wall ovens, and washers. Amana also manufactures a complete selection of high efficiency gas furnaces plus both central and room air conditioners.

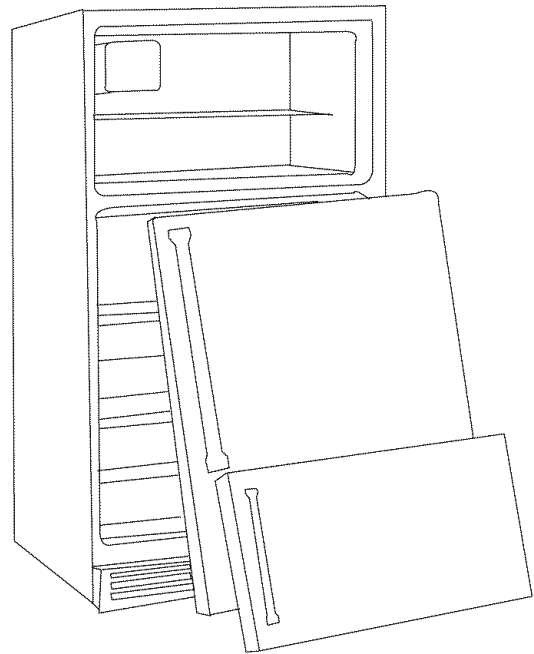
Enjoy this new Amana® refrigerator.

## Proper Disposal of your Refrigerator

**IMPORTANT: Child entrapment and suffocation are not problems of the past. Junked or abandoned refrigerators are still dangerous—even if they will sit for “just a few days.” If you are getting rid of your old refrigerator, please follow the instructions below to help prevent accidents.**

### **BEFORE YOU THROW AWAY YOUR OLD REFRIGERATOR OR FREEZER:**


- **Take off the doors.**
- **Leave the shelves in place so that children may not easily climb inside.**



# Installation Instructions

Proper installation will ensure this refrigerator operates most efficiently. Amana cannot be responsible for improper installation.

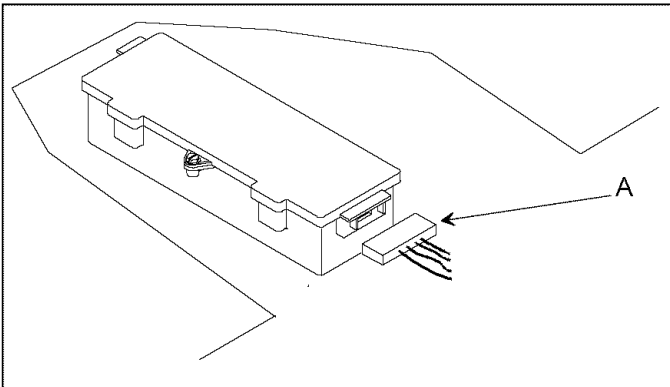
## 1. Remove doors if necessary.



### WARNING

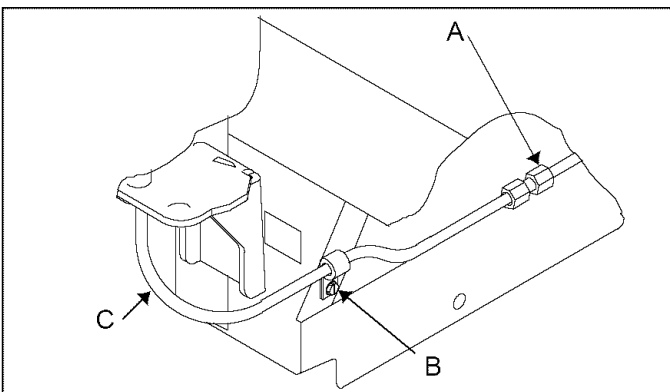
To avoid electrical shock which can cause severe personal injury or death, disconnect power to refrigerator before removing doors. After replacing doors, connect power.

- a. Remove toe grille.
- b. **Electronic Models**  
Unplug wiring harness from voltage box.



A. Wiring harness

- c. **Dispenser Models**  
Loosen water tube clamp screw. Loosen plastic water tube union nut. Pull water tube away from union nut and through tube clamp.



A. Plastic water tube union nut  
B. Water tube clamp screw  
C. Water tube

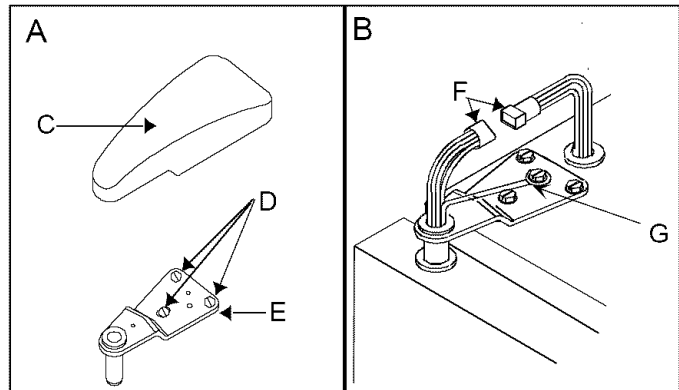
- d. Remove top hinge covers. (A below)



### WARNING

To avoid electrical shock which can cause severe personal injury or death, green ground wire must remain attached to hinge.

- e. **Electronic and Dispenser Models**  
Unplug top hinge wire connectors. Do not remove green ground wire from hinge. Carefully lift and remove top hinges. Do not disturb position of hinge shims. (B)



C. Hinge cover  
D. Door hinge screws  
E. Top hinge  
F. Wire connectors  
G. Green ground wire

- f. Remove doors.




### Caution

To avoid property damage, protect soft vinyl or other flooring with cardboard, rugs, or other protective material when moving refrigerator.

- g. Slide appliance cart under side of refrigerator. Wrap refrigerator with blanket or pad. Thread cart strap around refrigerator and tighten. Do not overtighten strap. Move refrigerator in front of final location.
- h. Rehang doors by reversing steps a–f. Use a penny at top of doors to space doors  $\frac{3}{4}$ " (18 mm) from cabinet.

## 2. Connecting Water Supply



### WARNING

To avoid electrical shock which can cause severe personal injury or death, disconnect power to refrigerator before connecting water supply. After connecting water supply, connect power.



## Caution

To avoid property damage, observe the following:

- Confirm water pressure to water valve is between 20 and 100 pounds per square inch.
- Tighten nut by hand to avoid cross threading. Finish tightening nuts with pliers and wrenches. Do not overtighten.
- Check for water leaks and correct if necessary before returning refrigerator to normal location and 24 hours after connecting.

### Important

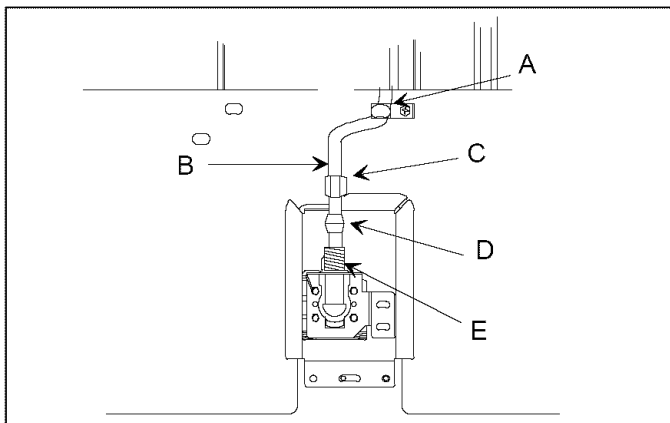
- Before connecting water supply, contact a plumber to connect copper tubing to household plumbing in compliance with local codes and ordinances.
- A self-piercing or  $\frac{3}{16}$ " saddle valve is not recommended. Both reduce water flow, become clogged with time and may cause leaks if repair is attempted. The correct type of shut off valve requires a  $\frac{1}{4}$ " hole to be drilled in water supply pipe prior to valve attachment. The manufacturer is not responsible for property damage caused by improper water connection.

### Materials Required

$\frac{1}{4}$ " (6 mm) flexible copper tubing. Length of copper tubing must reach from water supply connection plus an additional 8' (2 m) for service loop behind refrigerator.

### Procedure

1. Remove plastic cap from water valve inlet port. Place brass nut and brass sleeve on copper tubing. Insert copper tubing into water valve inlet port. Connect brass nut on copper tubing to water valve inlet port. Confirm copper tubing is secure by pulling on copper tubing.



- A. "P" clamp      B. Copper tubing  
C. Brass nut      D. Brass sleeve  
E. Water valve inlet connection

2. Turn on water supply to refrigerator and check for leaks. Correct any leaks.

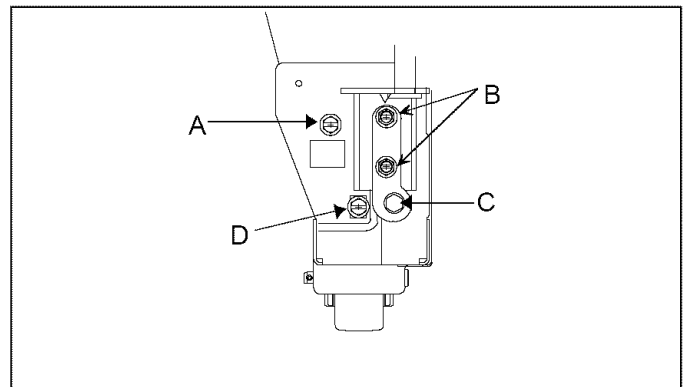
3. Create service loop using extreme care to avoid kinks. **Secure copper tubing to refrigerator cabinet with a "P" clamp.**

3. **Plug in power cord.**

4. **Move refrigerator into final location.**

5. **Level refrigerator and align doors.**

- a. Remove toe grille.
- b. Turn roller adjustment screw to raise or lower refrigerator cabinet until refrigerator is stable. Some models have both front and rear adjustable rollers.
- c. **Models with Hinge Adjusting Cam**  
If tops of doors are not aligned after leveling, loosen refrigerator door hinge screws  $\frac{1}{2}$  turn. Turn cam clockwise 1 increment at a time until doors are aligned. Open and close doors. Tighten hinge screws.



- A. Rear roller adjustment screw  
B. Door hinge screws  
C. Hinge adjusting cam  
D. Front roller adjustment screw

6. **Review "Installation Checklist" in Owner's Manual with consumer.**

# Installation Checklist

---

This checklist is for personal records only.

## Consumer    Installer

### Doors

Doors are aligned with each other. (After food has been added to refrigerator , consumer should check door alignment).

Doors seal completely to refrigerator cabinet.

Handles are solidly attached to doors.

### Touchmatic™ Electronic and Ice 'N Water™ Dispenser Models

If doors were removed to install refrigerator, top hinge wire connectors are reconnected.

### Leveling

Refrigerator is stable.

Toe grille is properly attached to refrigerator.

### Ice Maker

Water supply to refrigerator is turned on.

Water leaks are not present at connection between household water supply and refrigerator. (After 24 hours, consumer should check connection for water leaks.)

Ice maker arm is in on position for ice production. (It may take up to 24 hours for first harvest of ice.)

### Product Literature

Owner's manual is reviewed including the following information.

- product registration card
- Fresh Food and Deepfreeze® controls
- Chiller Fresh™ system
- Garden Fresh™ crispers
- normal operating sounds

Notes \_\_\_\_\_

\_\_\_\_\_

\_\_\_\_\_

\_\_\_\_\_

\_\_\_\_\_  
Consumer's Signature

\_\_\_\_\_  
Installer's Signature

\_\_\_\_\_  
Installer's Company Name/Phone Number

\_\_\_\_\_  
Date

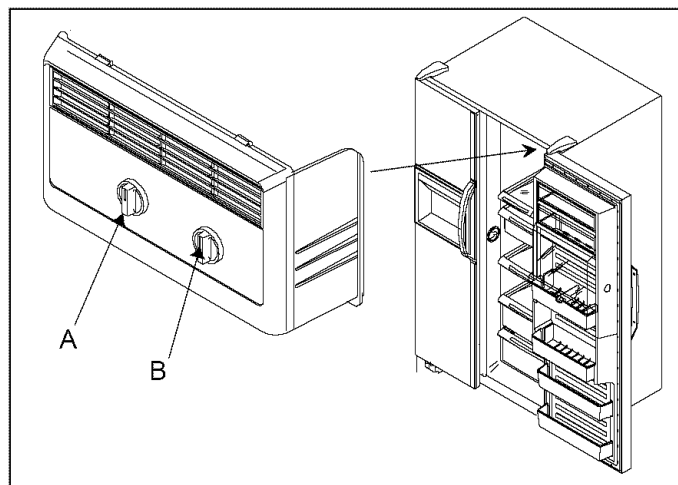


# Controls

This refrigerator is designed to operate at normal household temperatures of 55° to 110°F (13° to 43°C).

## Fresh Food and Deepfreeze® Controls

Fresh Food and Deepfreeze® controls are located on upper rear wall of Fresh Food® section.



A. Deepfreeze control      B. Fresh food control

When Deepfreeze® control is set to *off*, neither Fresh Food nor Deepfreeze® sections will cool. Initially, set both controls to 4. Wait 24 hours for Fresh Food and Deepfreeze® sections to reach desired temperatures. After 24 hours, adjust controls, one number at a time, as desired. 1 is warmest setting and 7 is coldest.

## Setting Controls

Set controls with a household thermometer that includes temperatures between -5° to 50°F (-21° to 10°C).

Put thermometer snugly between frozen packages in Deepfreeze® section. Wait 5-8 hours. If Deepfreeze® temperature is not 0° to 2°F (-17° to -16°C), adjust control, 1 number at a time. Check again after 5-8 hours.

Put thermometer in a glass of water in middle of Fresh Food section. Wait 5-8 hours. If Fresh Food temperature is not 38° to 40°F (3° to 4°C), adjust control, 1 number at a time. Check again after 5-8 hours.

## Touchmatic™ Electronic Controls (some models)

Locate power switch on right side of black box in center of cabinet behind toe grille. Turn power switch on before programming.

Touchmatic™ electronic controls are located on refrigerator between door handles. Press \* pad to activate control panel. All other pads, except for *ALARM OFF* pad, remain inactive until \* pad is pressed. Once activated, pads remain programmable for at least 10 minutes.

Fresh Food and Deepfreeze® controls are preset at 5. Wait 24 hours after connecting power for Fresh Food and Deepfreeze® sections to reach desired temperatures. After 24 hours, adjust controls as desired. 1 is warmest setting and 9 is coldest. Refer to “Setting Controls” section to set controls precisely.

- Adjust Fresh Food or Deepfreeze® temperatures by pressing \* pad then *REFRIG TEMP* pad or *FREEZER TEMP* pad. Press *WARMER* pad or *COLDER* pad to adjust temperature setting 1 level at a time. Holding down *WARMER* pad or *COLDER* pad adjusts temperature more than 1 level at a time.

## Entry Tone

Entry tone indicates a pad was pressed and command was read and accepted.

- Deactivate entry tone by pressing and holding \* pad for 3 to 5 seconds. Three short beeps indicate instructions were accepted.
- Activate entry tone by pressing and holding \* pad for 3 to 5 seconds.

## Vacation Mode

Vacation mode defrosts refrigerator less often during extended non-use periods.

- Activate vacation mode by pressing \* pad then *VACATION* pad. Indicator light will glow.
- Deactivate vacation mode by pressing \* pad then *VACATION* pad. Opening Fresh Food or Deepfreeze® door will also deactivate vacation mode.

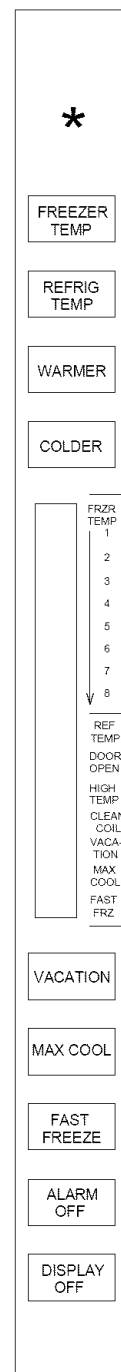
## Max Cool Mode

Max cool mode adjusts Fresh Food temperature to coldest setting. After 10 hours, Fresh Food temperature automatically returns to previous setting.

- Activate max cool mode by pressing \* pad then *MAX COOL* pad. Indicator light will glow.
- Deactivate max cool mode before automatic reset by pressing \* pad then *MAX COOL* pad.

## Fast Freeze Mode

Fast freeze mode adjusts Deepfreeze® temperature to coldest setting. After 24 hours, Deepfreeze® temperature automatically returns to previous setting.



## Fresh Food Features

- Activate fast freeze mode by pressing \* pad then *FAST FREEZE* pad. Indicator light will glow.
- Deactivate fast freeze mode before automatic reset by pressing \* pad then *FAST FREEZE* pad.

### Door Open Alarm

Door open alarm sounds and indicator light blinks if either door is open for more than 3 minutes.

- Deactivate door open alarm by pressing *ALARM OFF* pad or by closing either door.
- Activate door open alarm by pressing \* pad then holding *ALARM OFF* pad for 3 to 5 seconds. Three short beeps indicate instructions were accepted.

### High Temperature Alarm

High temperature alarm sounds and indicator light glows if Fresh Food or Deepfreeze® temperature is high for 2 hours. A blinking light signals affected compartment. Alarm ends when proper temperature is reached.

- Deactivate high temperature alarm by pressing *ALARM OFF* pad.

### Thermistor Alarm

Thermistor electronically senses Fresh Food and Deepfreeze® temperatures. Thermistor alarm sounds and indicator lights scroll if Fresh Food or Deepfreeze® thermistor is not operating properly.

- Deactivate display by pressing *ALARM OFF* pad.

### If thermistor alarm sounds, contact an authorized Amana® technician immediately.

If *ALARM OFF* pad is pressed, thermistor control retests to confirm situation has been corrected. Alarm sounds again if thermistor is still not operating properly.

### Display Lights

- Deactivate temperature display lights by pressing \* pad then pressing *DISPLAY OFF* pad.
- Activate temperature display lights by pressing any of top 5 pads.

### Clean Condenser Coil Light

Clean condenser coil light glows every 3 months as a reminder to clean condenser coils. Light automatically cancels in 72 hours.

- Deactivate clean condenser coil light before automatic reset by pressing *ALARM OFF* pad.



### Caution

To avoid property damage, confirm shelf is secure before placing items on shelf.

### Fresh Food Shelves

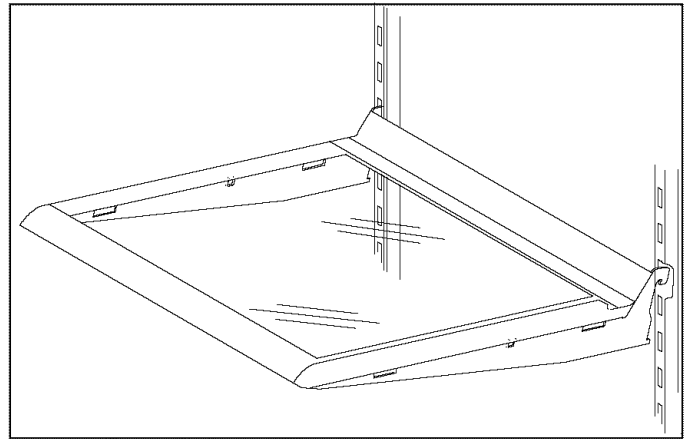
Models feature either glass or wire shelves. Shelves adjust up or down to meet individual storage needs. Some models feature Spillsaver™ shelves. Spillsaver™ shelves hold simple spills for easier cleaning.



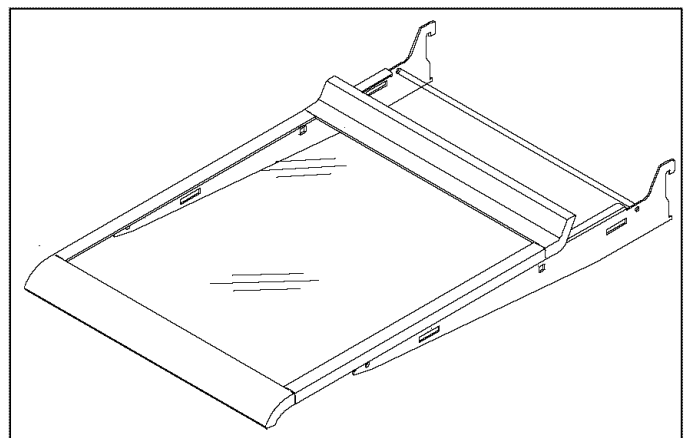
### Caution

To avoid personal injury or property damage, handle tempered glass shelves carefully. Shelves may break suddenly if nicked, scratched, or exposed to sudden temperature change.

- Remove shelves by lifting front, releasing hooks from metal track then pulling out.
- Replace shelves by inserting hooks into metal track and lowering front.



EasyGlide™ shelves pull forward for easy access of items in back.

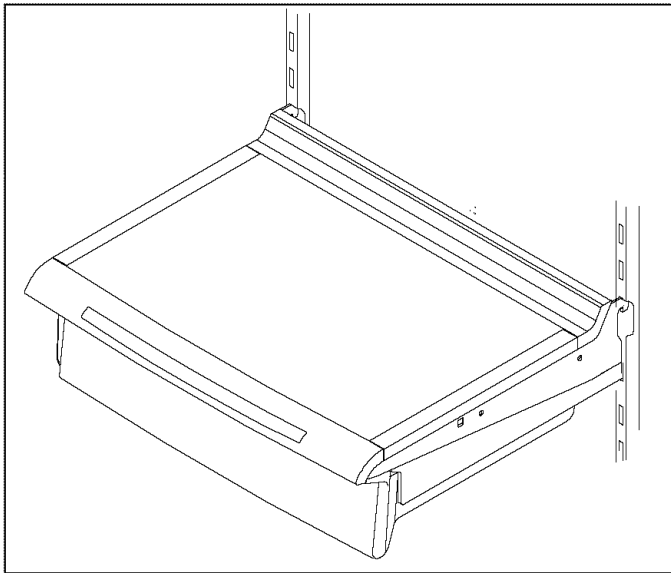


## Chiller Fresh™ System (some models)

Chiller Fresh™ system features a drawer inside a sleeve. Air circulates between drawer and sleeve. This system keeps food fresh longer and up to 5°F (3°C) colder than Fresh Food temperature.

Chiller Fresh™ control is located below front shelf trim. Control adjusts amount of air circulating around drawer. Control adjusts amount of air circulating around drawer. Slide control to *cold* for normal Fresh Food temperature and to *colest* for colder temperature. Ice crystals may form on drawer or food on *colest* setting. Cold air can decrease Fresh Food temperature. Fresh Food control may need to be adjusted.

- Remove drawer by lifting and pulling out. Remove shelf by lifting front, releasing hooks from metal track then pulling out.
- Replace shelf by inserting hooks into metal track and lowering front. Use slots 8 through 11 only. Replace drawer by sliding in. Confirm boot is over air inlet in side wall.



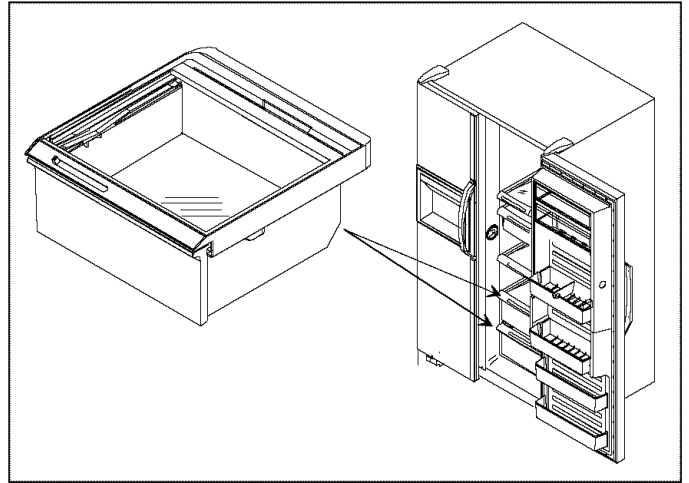
## Garden Fresh™ Crispers

Garden Fresh™ crispers keep produce fresh longer. Wrap produce tightly. Do not wash produce before placing in crispers. Excess moisture could cause produce to spoil prematurely. Do not line crispers with paper towels. Paper towels will retain moisture.

Garden Fresh™ control is located below front shelf trim. Control adjusts humidity in crispers. Slide control to *high* for produce with leaves such as lettuce, spinach or cabbage. Slide control to *low* for produce with skins such as cauliflower, corn or tomatoes.

## Caution

To avoid personal injury or property damage, handle tempered glass shelves carefully. Shelves may break suddenly if nicked, scratched, or exposed to sudden temperature change.



Remove shelf and garden fresh crispers by completing the following steps.

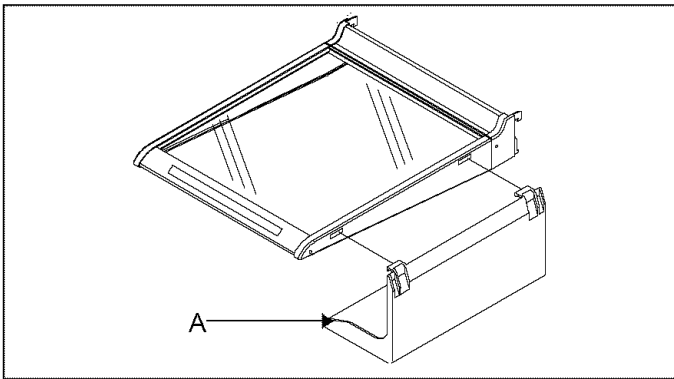
1. Open crisper.
2. Remove shelf by gently pushing up from underneath. Tilt one end up then pull out.
3. Remove crisper by lifting front while supporting underneath then pulling out.
4. Replace crispers and shelf by reversing steps 1-3.

## Storage Rack (some models)

Storage rack provides convenient storage for items such as a large bottle, eggs, etc.

Depending on location of shelf, hang rack using 1 of the following methods. Rack cannot be installed next to lower Fresh Food section light bulb.

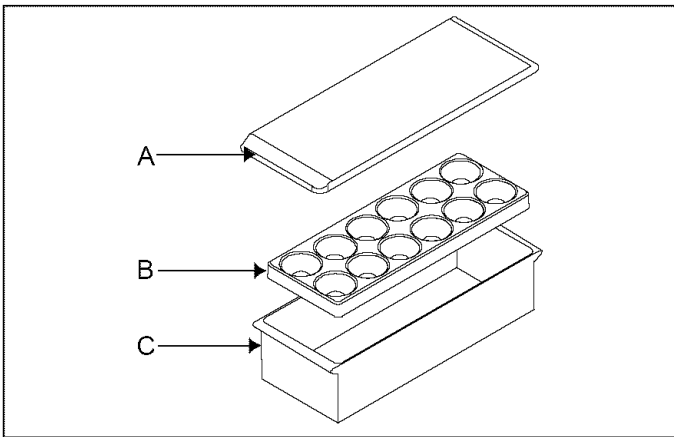
- Remove shelf by lifting front, releasing hooks from metal track then pulling out. Hang rack by inserting tabs into slots on side of shelf. Replace shelf by inserting hooks into metal track and lowering front.
- Slide rack along side of shelf until tabs are inserted into slots.



A. Storage rack

**Covered Storage Bucket** (some models)

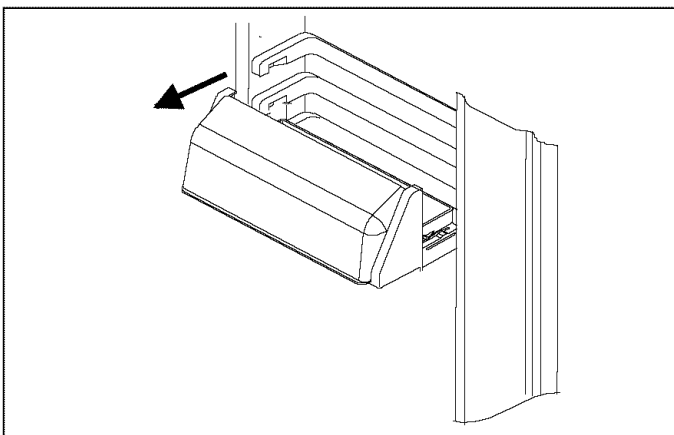
Storage bucket has a lid and removable egg tray. When tray is removed, bucket will accept items such as a standard egg carton, ice, etc.



A. Lid  
B. Egg tray  
C. Storage bucket

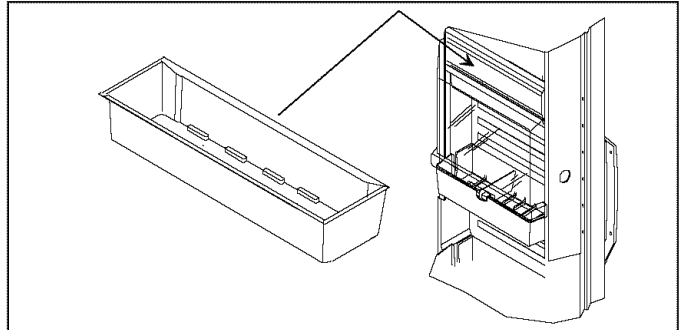
**Dairy Center** (some models)

Dairy center provides convenient storage for items such as butter, cheese, etc.



**Snack Chiller** (some models)

Snack chiller provides convenient storage for small items and snacks. Items are kept cooler with air circulating from Temperature Controlled Beverage Chiller™.

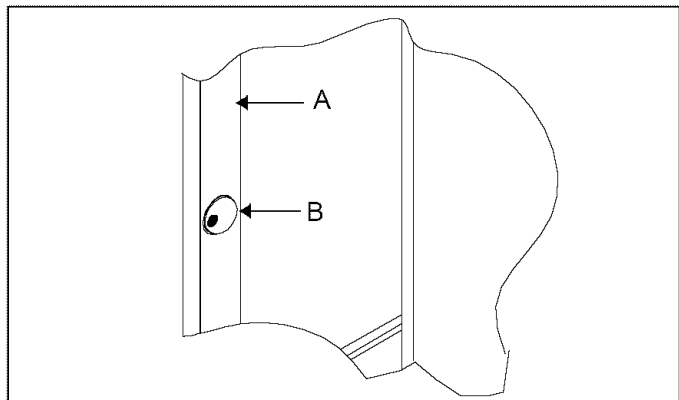


**Temperature Controlled Beverage Chiller™**

(some models)

Temperature Controlled Beverage Chiller™ keeps beverages up to 5°F (3°C) colder than Fresh Food section. Air inlet allows air from Deepfreeze® section to pass to beverage chiller. Air inlet is located on interior wall of Fresh Food door.

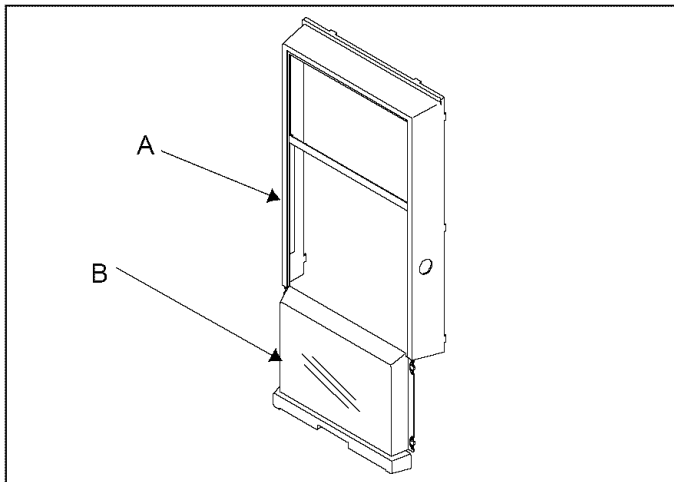
Beverage chiller control is located on left front wall of Fresh Food section. Control adjusts amount of air circulating in beverage chiller. Turn control to *cold* for normal Fresh Food temperature and to *colder* for colder temperature.



A. Fresh food section B. Temperature control

- Remove beverage chiller door by removing lower door buckets. Remove door buckets by pushing tabs toward center and pulling out. Slide door down and out through bottom of door track.

- Replace beverage chiller door by sliding door up through bottom of door track. Retention glides must remain in place to replace door. Replace door buckets by sliding in until tabs lock into place.

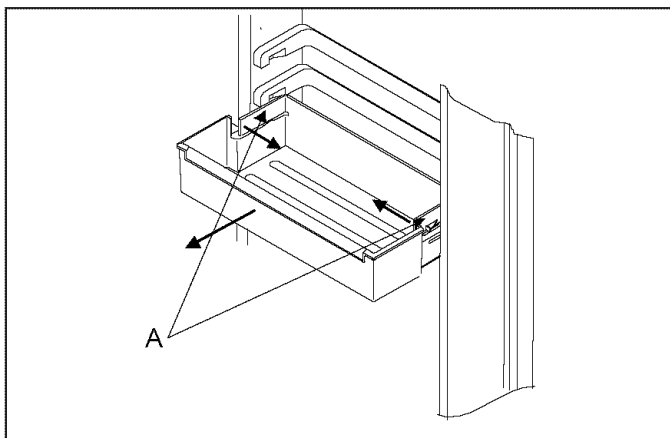


A. Door track      B. Beverage chiller door

### Door Buckets

Door buckets adjust to meet individual storage needs.

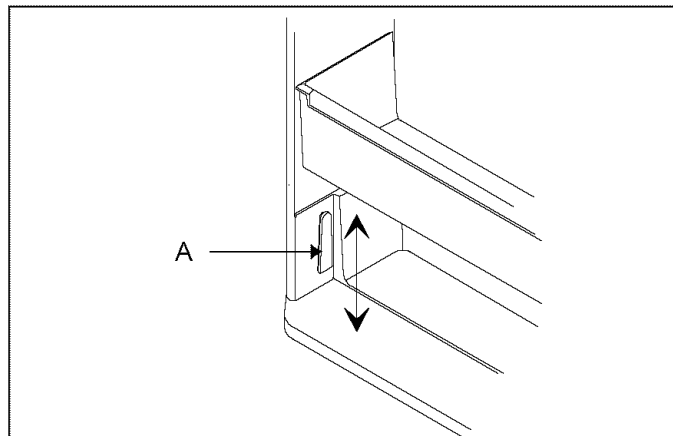
- Remove door buckets by pushing tabs toward center and pulling out.
- Replace door buckets by sliding in until tabs lock into place.



A. Tabs

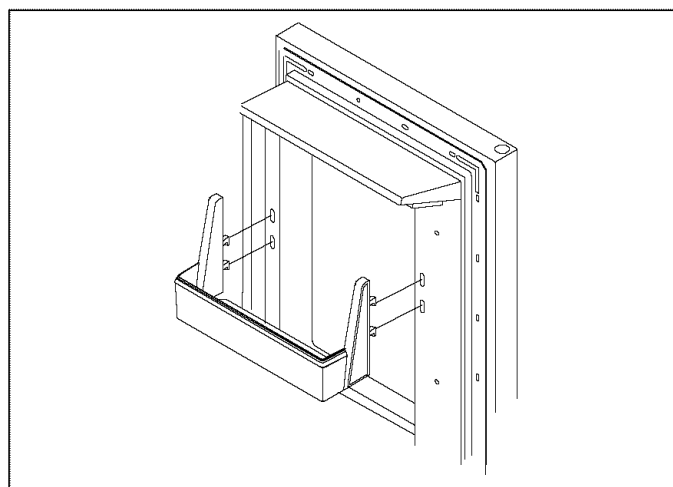
### Door Shelves

- Remove slide-style door shelves by lifting ends up and pulling out.
- Replace slide-style door shelves by placing shelf on glides and sliding down.



A. Shelf glide

- Remove hook-style door shelves by lifting ends and releasing hooks on bottom of shelf.
- Replace hook-style shelves by inserting hooks and lowering bottom of shelf. Push down on ends.





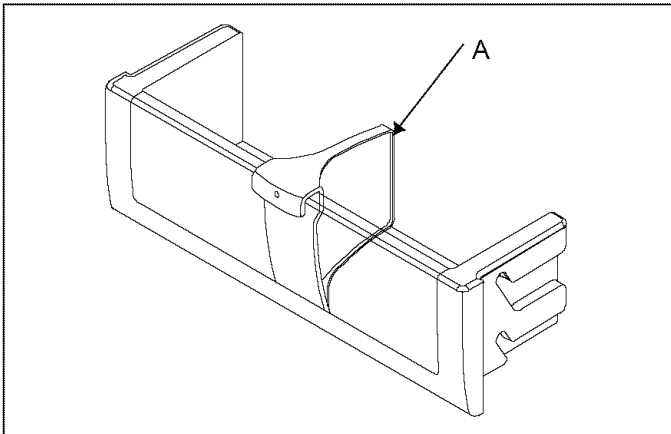
## Caution

To avoid property damage, confirm shelf is secure before replacing items on shelf.

### Adjustable Divider (Some models)

Adjustable divider keeps items in place and adjusts to meet individual storage needs. Divider fits in any door bucket or door shelf.





A. Adjustable divider

- After ice is formed, ice maker drops ice cubes into ice storage bucket. During ice production, ice maker arm raises and lowers. When ice storage bucket is full, ice maker arm turns ice maker off. Discard first 3 harvests of ice after initially connecting refrigerator to household water supply and after extended periods of non-use.
- Stop ice production by raising ice maker arm. A definite click is heard when proper position is reached. Ice maker arm will remain in off position until pushed down.

**Caution**

- To avoid damage to ice maker, observe the following:
- Do not force ice maker arm down or up.
  - Do not place or store anything in ice storage bucket.

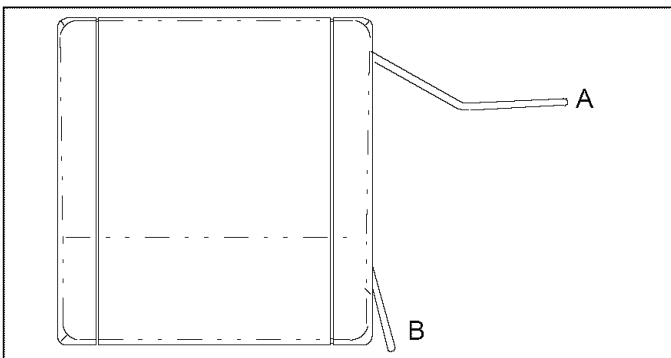
## Deepfreeze® Features

**Caution**

To avoid property damage, confirm shelf is secure before replacing items on shelf.

### Automatic Ice Maker (some models)

- Confirm ice bucket is in place and ice maker arm is down.



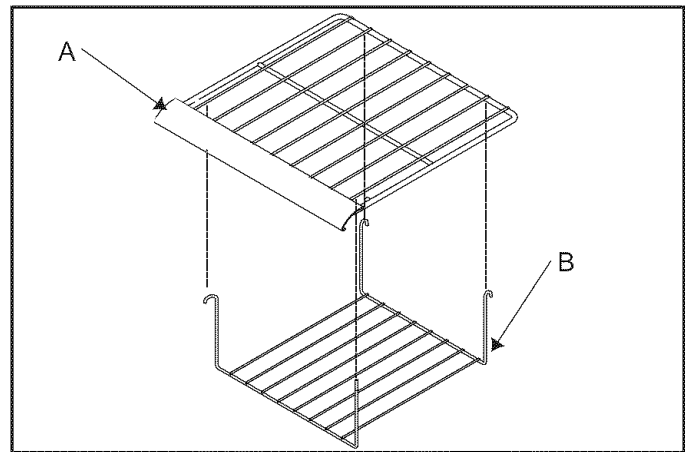
A. Off position    B. On position

- After Deepfreeze® section reaches normal temperature, ice maker fills with water and begins operating. Allow 24-48 hours after installation before first harvest of ice. Ice maker produces 7 to 9 harvests of ice in a 24-hour period under ideal conditions.

### Deepfreeze® Rack (some models)

Deepfreeze® rack holds ice cube trays and provides additional storage.

- Remove Deepfreeze® rack by lifting rack and pushing front hooks in to release hooks from shelf. Pull front of rack down. Push hooks in to release back hooks from shelf. Slide rack off shelf.
- Replace Deepfreeze® rack by pushing back hooks in and placing hooks over shelf. Push front hooks in and place hooks over shelf.

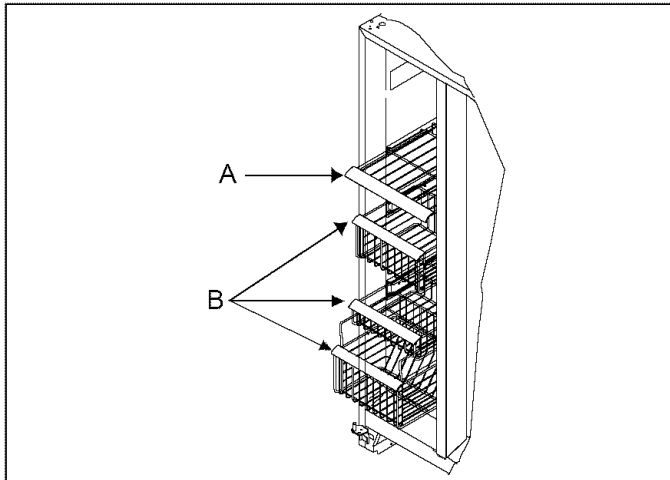


A. Freezer shelf    B. Deepfreeze®

## Stor-Mor® System

Wire shelves and baskets slide out for easy access of items in back and can be rearranged to meet individual storage needs.

- Remove shelves and baskets by lifting and pulling out.
- Replace shelves and baskets by placing shelves and baskets on side rails. Slide shelves and baskets right and back until round knob is behind stop on rail.

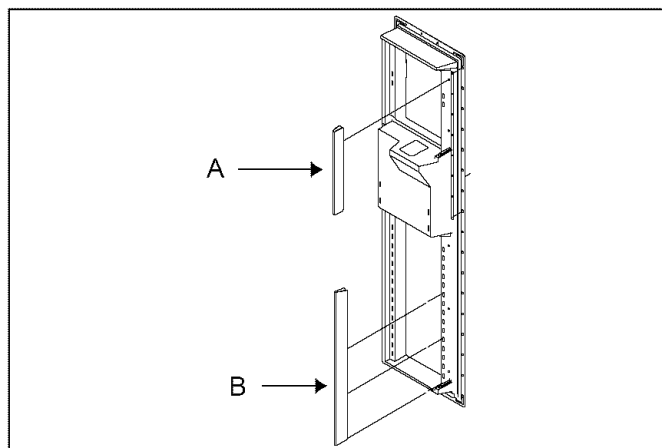


A. Wire shelf    B. Wire baskets

## Door Dikes (some models)

Door dikes snap out for easy removal of Deepfreeze® shelves and baskets.

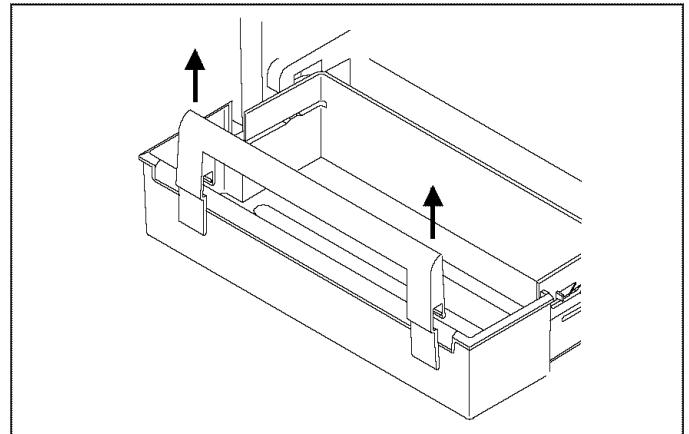
- Remove door dike by pulling out.
- Replace door dike by aligning dike with extrusions on Deepfreeze® door. Push until dike snaps in place.



A. Door dike    B. Door dike

## Tall Package Retainer (some models)

Tall package retainer keeps tall items secure. Retainer fits in any door bucket or door shelf.



## Ice 'N' Water™ Dispenser

(some models)

### ⚠ Caution

To avoid personal injury or property damage, observe following instructions:

- Do not operate dispenser with Deepfreeze® door open.
- Do not put fingers, hands, or any foreign object into dispenser opening.
- Do not use sharp objects to break ice.

## Water Dispenser Operation

It takes approximately 1 minute after initially pressing dispenser bar before water dispenses after initial connection of water supply. Discard first 10 to 14 containers of water after initially connecting refrigerator to household water supply and after extended periods of non-use.

- Dispense water by pressing sturdy wide mouthed container against water dispenser bar.
- Stop water dispensing by releasing pressure on bar. A small amount of water may continue to fall. Spill shelf is not self-draining. Large spills should be wiped dry.

## Ice Dispenser Operation



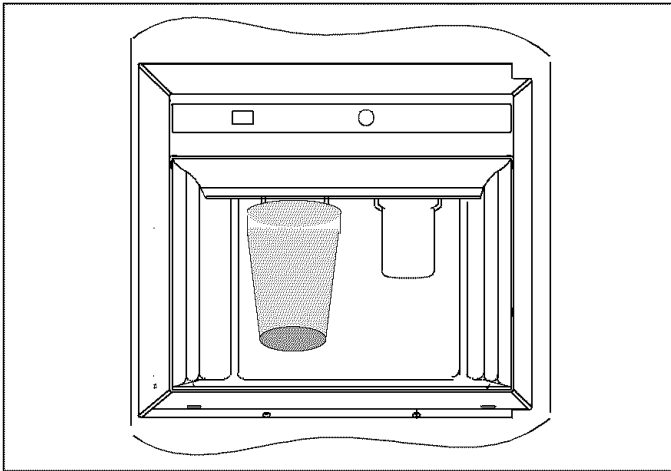
### Caution

To avoid property damage, do not dispense ice directly into thin glass, fine china, or delicate crystal.

- Select cubed or crushed mode by sliding lever on dispenser panel. Dispense ice by pressing wide mouthed container against ice dispenser bar.

### Important

**Reduce spraying of crushed ice by holding wide mouthed container directly under ice chute and as high as possible in dispenser area.**



- Stop ice dispensing by releasing pressure on bar before container is full. Some ice will continue to fall. Do not remove container until last of ice falls.

If dispensing ice continuously, dispenser motor is designed to shut off after 3 to 5 minutes. Motor resets after 3 minutes and dispensing can continue.

A slight delay occurs when switching between cubed and crushed modes. Pieces of crushed ice will vary in size and shape. "Snow" may form on door and ice chute when repeatedly dispensing crushed ice. Allow "snow" to evaporate or wipe dry.

Dispenser operates only with cubes of proper size and crescent shape. Do not add purchased ice cubes or other shaped cubes to ice bucket.

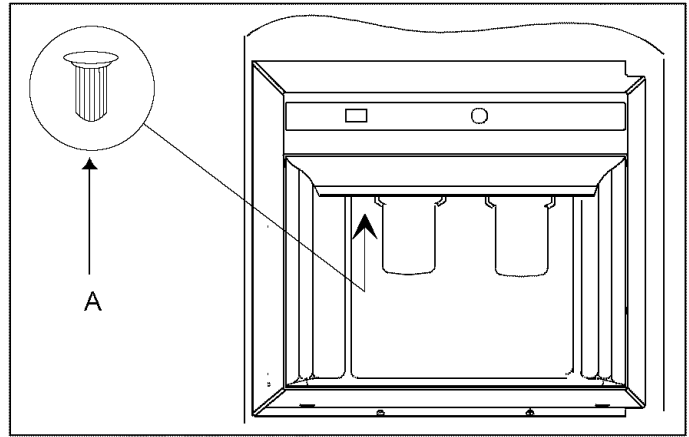
## Removing Ice Bucket

- Remove ice bucket by lifting bucket and pulling out.
- Replace ice bucket by sliding in until bucket locks in place. Ice bucket must be locked in place for proper ice dispensing. If Deepfreeze® door does not close, bucket is not in proper location.

## Dispenser Light (some models)

A light is activated when dispensing ice or water. Some models feature a night light.

- Activate night light by pushing switch, located underneath dispenser and left of ice dispenser bar.



A. Night light switch

## Taste and Odor

Observe the following to minimize taste and odor difficulties:

- Wrap foods in tightly sealed containers or moisture proof bags.
- Install water filter, part #R0185011 on water line.
- Contact local water treatment company for specialized help if difficulties persist.

# Care and Cleaning



## WARNING

To avoid electrical shock which can cause severe personal injury or death, disconnect power to refrigerator before cleaning. After cleaning, connect power.



## Caution

To avoid personal injury or property damage, read and follow all cleaning product manufacturer's directions.

### General

1. Wash surfaces with 4 tablespoons baking soda dissolved in 1 quart warm water and a soft, clean cloth.
2. Rinse surfaces with warm water. Dry surfaces with a soft, clean cloth.
  - Do not use the following items:
    - abrasive or harsh cleaners, ammonia, chlorine bleach, etc.
    - concentrated detergents or solvents
    - metal scouring padsThese items can scratch, crack and discolor surfaces.
  - Do not place buckets, shelves, etc. in dishwasher.

### Odor Removal

1. Remove all food and disconnect power to refrigerator.
2. Clean all interior surfaces including ceiling, floor, and walls according to "General" instructions. Pay special attention to corners, crevices, and grooves. Include all drawers, shelves, and gaskets.
3. Connect power to refrigerator and return food to refrigerator. Wash and dry all bottles, containers and jars. Wrap foods in tightly sealed containers to prevent further odor. After 24 hours, check if odor was eliminated.

Complete the following steps if odor was not eliminated.

4. Complete steps 1–2.
5. Place garden fresh crispers on top shelf of Fresh Food section. Pack Fresh Food and Deepfreeze® sections including doors with crumpled sheets of black and white newspaper.
6. Place charcoal briquettes randomly throughout newspaper.
7. Close doors and let stand 24–48 hours.
8. Remove charcoal briquettes and newspapers.
9. Complete steps 2–3.

Contact Consumer Affairs Department if odor was still not eliminated. Refer to Model Identification section for phone number.

### Adhesives

1. Remove glue residue by rubbing toothpaste into adhesive with fingers until adhesive loosens.
2. Rinse surface with warm water. Dry surface with a soft, clean cloth.

### Door Gaskets

1. Clean door gaskets every 3 months according to "General" instructions.
2. Apply a light film of petroleum jelly to keep gaskets pliable.

### Condenser Coils

Clean condenser coil every 3 months to ensure maximum performance of refrigerator. Accumulated dust and lint may cause the following:

- reduced cooling performance
  - increased energy usage
  - premature compressor failure
1. Remove toe grille by holding ends and pulling forward.
  2. Clean front surface of condenser coil with a vacuum cleaner hose nozzle.
  3. Replace toe grille by inserting clips in holes and snapping in.



## Caution

To avoid property damage, protect soft vinyl or other flooring with cardboard, rugs, or other protective material.

4. Pull refrigerator away from wall. Run a vacuum brush across condenser fan outlet grille on back of refrigerator.

### Glass Shelves



## Caution

To avoid personal injury or property damage, handle tempered glass shelves carefully. Shelves may break suddenly if nicked, scratched, or exposed to sudden temperature change.

Remove shelf by lifting front, releasing hooks from metal track then pulling out. Place shelf on a towel. Allow shelf to adjust to room temperature before cleaning.

Clean crevices by completing the following steps:

1. Dilute mild detergent and brush solution into crevices using a plastic bristle brush. Let set for 5 minutes.
2. Spray warm water into crevices using faucet spray attachment.
3. Dry shelf thoroughly and replace shelf by inserting hooks into metal track and lowering front.

## Light Bulbs

### **WARNING**

To avoid electrical shock which can cause severe personal injury or death, disconnect power to refrigerator before replacing light bulb. After replacing light bulb, connect power.

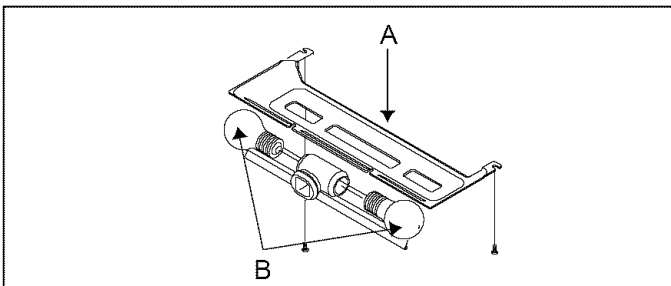
### **Caution**

To avoid personal injury or property damage, observe the following:

- Allow light bulb to cool.
- Wear gloves when replacing light bulb.

### Upper Fresh Food Section

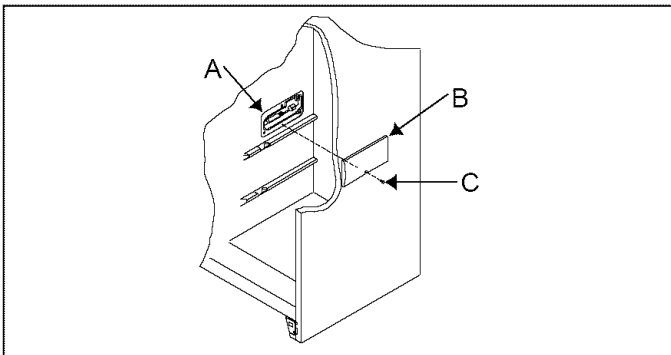
- Remove light bulb cover by removing 1/4" hex nut screws. Replace bulb(s) with 40-watt appliance bulb(s).
- Replace light bulb cover by replacing 1/4" hex nut screws.



A. Light bulb cover    B. Light bulbs

### Lower Fresh Food Section (Some models)

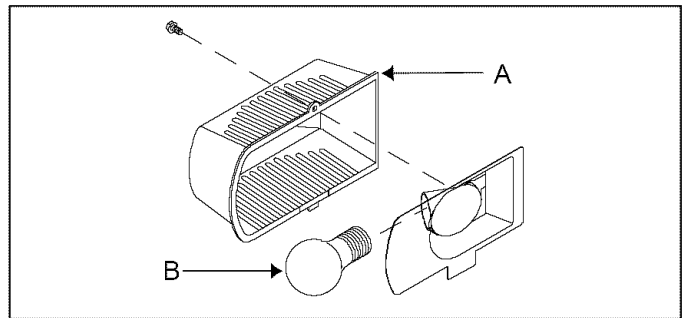
- Remove light bulb cover by removing screw. Replace bulb with 40-watt tubular bulb.
- Replace light bulb cover by placing cover over light bulb. Insert and tighten screw.



A. Light bulb    B. Light bulb cover  
C. Screw

### Deepfreeze® Section

1. Remove ice bucket by lifting bucket and pulling out.
2. Remove light bulb cover by removing screw. Replace bulb with 40-watt appliance bulb.
3. Replace light bulb cover by holding cover in place over light bulb. Insert and tighten screw.
4. Replace ice bucket by sliding in until bucket locks in place.

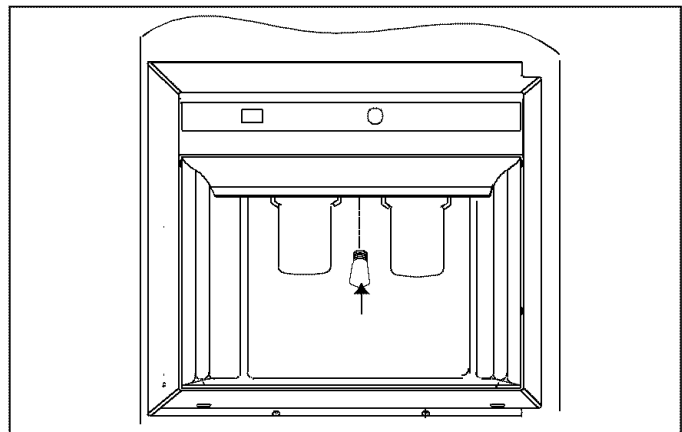


A. Light bulb cover    B. Light bulb

### Ice 'N' Water™ Dispenser (Some models)

Light bulb is located between dispenser arms.

- Remove light bulb by unscrewing light bulb. Replace light bulb with a 6-watt, 120-volt bulb.
- Replace light bulb by inserting and tightening bulb.



## Normal Operating Sounds

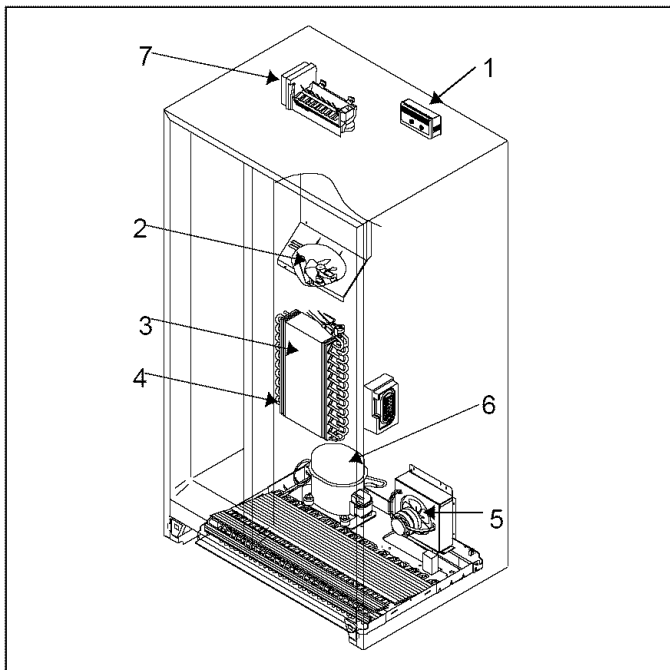
This new refrigerator may be replacing a differently designed, less efficient or smaller refrigerator. Today's refrigerators have new features and are more energy efficient. As a result, certain sounds may be unfamiliar. These sounds are normal and will soon become familiar. These sounds also indicate refrigerator is operating and performing as designed.

1. **Deepfreeze® control** clicks when starting or stopping compressor.
2. **Deepfreeze® fan** air rushes and whirs.
3. **Sealed system** (evaporator and heat exchanger) refrigerant flow gurgles, pops or sounds like boiling water.
4. **Defrost heater** sizzles, hisses or pops.
5. **Condenser fan** air rushes and whirs.
6. **Compressor** has a high pitched hum or pulsating sound.
7. **Ice cubes** from ice maker (some models) drop into ice bucket.

**Ice auger** (Ice 'N' Water™ Dispenser models) hums as auger agitates ice during dispensing. Ice auger is located in freezer door. (not shown)

**Ice maker water valve hookup** (some models) buzzes when ice maker fills with water. This occurs whether or not refrigerator is connected to water supply. If refrigerator is not connected to water supply, stop sound by raising ice maker arm to off position. Water valve hook up is located in back, bottom, left hand corner. (not shown)

Foam insulation is very energy efficient and has excellent insulating capabilities. However, foam insulation is not as sound absorbent as previously used fiberglass insulation. (not shown)



## Before Calling For Service

Refrigerator does not operate.

- Confirm Deepfreeze® control is on.
- Confirm refrigerator is plugged in.
- Check fuse or circuit breaker. Plug in another item at that wall outlet.
- Wait 40 minutes to see if refrigerator restarts. If Deepfreeze® control is on, lights work but 2 fans and compressor are not operating, refrigerator may be in defrost cycle.

Refrigerator still won't operate.

- Unplug refrigerator. Transfer food to another unit or place dry ice in Deepfreeze® section to preserve food. **Warranty does not cover food loss.** Check warranty certificate for specific coverage.
- Call **1-800-628-5782** inside U.S.A. and **1-319-622-5511** outside U.S.A. to locate an **authorized** Amana technician.

Food temperature appears too warm.

- See above sections.
- Allow time for recently added warm food to reach Fresh Food or Deepfreeze® temperature.
- Check gaskets for proper seal.
- Clean condenser coils.
- Adjust Fresh Food and/or Deepfreeze® control.
- Confirm rear air grille is not blocked. Rear air grille is located behind left garden fresh crisper.

Chiller fresh system temperature is too warm.

- Slide control to colder setting.
- Adjust Deepfreeze® control to colder setting.

Food temperature is too cold.

- Clean condenser coils.
- Adjust Fresh Food control.
- Adjust Deepfreeze® control to warmer setting. Allow several hours for temperature to adjust.

Refrigerator runs too frequently.

- It may be normal to maintain constant temperature.
- Doors may have been opened frequently or for an extended period of time.
- Allow time for recently added warm food to reach Fresh Food or Deepfreeze® temperature.
- Clean condenser coils.
- Adjust Deepfreeze® control.
- Check gaskets for proper seal.

Water droplets form on inside of refrigerator.

- It is normal during high humidity periods or if doors have been opened frequently.

Water droplets form on outside of refrigerator.

- Check door gaskets for proper seal.

## Asure™ Service Plan

---

Garden Fresh™ crispers or Chiller Fresh™ system does not close freely.

- Check for a package which may prevent drawer from closing properly.
- Confirm drawer is in proper position.
- Clean drawer channels with warm, soapy water. Rinse and dry thoroughly.
- Apply a thin layer of petroleum jelly to drawer channels.
- Confirm refrigerator is level.

Refrigerator has an odor.

- See “Odor Removal” instructions in “Care and Cleaning” section.

Refrigerator or ice maker make unfamiliar sounds or seems too loud.

- It may be normal. See “Normal Operating Sounds” section.

Ice maker is not producing ice.

- Confirm ice maker arm is down.
- Confirm household water supply is reaching water valve.
- Confirm ice maker wiring harness is completely inserted into proper holes.
- Check for kinks in copper or plastic tubing. Remove kinks or replace tubing.
- Check electrical connections to water valve coil and connector block on refrigerator cabinet.
- Confirm Deepfreeze® section is operating at proper temperature.

Ice cubes have an odor.

- See “Odor Removal” instructions in “Care and Cleaning” section.
- Discard ice and clean ice bucket or trays more frequently. Ice cubes are porous and absorb odors easily.

Ice cubes stick together or ‘shrink’.

- Empty ice cube bucket or trays more frequently. If used infrequently, ice cubes may stick together or shrink.

Ice forms in inlet tube to ice maker.

- Check water pressure. Low water pressure will cause valve to leak. Self-piercing valves cause low water pressure. **Amana recommends using copper tubing to connect household plumbing to refrigerator. Do not use self-piercing valve. Amana is not responsible for property damage due to improper installation or water connection.**

Amana is pleased to offer long-term service protection on this new refrigerator. Asure™ Extended Service Plan is specially designed to supplement Amana's strong warranty. Asure™ provides budget-protecting coverage on refrigerator that includes parts, labor and travel charges. A participating Amana dealer has details, or call Asure™ department at 1/800-528-2682.

## Energy Tips

---

This refrigerator is designed to be one of the most energy efficient refrigerators available. Reduce energy use by observing the following.

- Operate in normal household temperatures of 55° to 110°F (13° to 43°C) away from heat sources and direct sunlight.
- Set Fresh Food, Deepfreeze®, and Chiller Fresh™ system controls no colder than necessary.
- Keep Deepfreeze® section full.
- Keep door gaskets clean and pliable. Replace gaskets if worn.
- Keep condenser coils clean.

## Vacation Tips

---

Complete the following steps for short vacations.

1. Remove perishable foods. **Warranty does not cover food loss.** Check warranty certificate for specific coverage.
2. If an ice maker is installed, move ice maker arm up, to off position.

Complete the following steps for long vacations.

1. Empty Fresh Food and Deepfreeze® sections.
2. Unplug refrigerator.
3. Clean refrigerator and door gaskets according to “General” instructions in “Care and Cleaning” section.
4. Prop doors open, so air can circulate inside.
5. If an ice maker is installed, turn water supply to refrigerator off and move ice maker arm up, to off position.

# Warranty (Electronic Models)

<b>Full One Year Warranty</b>	
<b>Full Five Year Warranty on Sealed System Components and Food Compartment Liner</b>	
<b>Limited Five Year Warranty on Electronic Control Components Limited Ten Year Warranty on Sealed System Components</b>	
<b>First Year</b>	
Amana will repair or replace, free of charge, any part which is defective due to workmanship or materials.	
<b>Second through Fifth Year</b>	
Amana will replace, free of charge, any sealed system component (compressor, condenser, evaporator and interconnecting tubing) and repair any food compartment liner (exclusive of door liner) which is defective due to workmanship or materials.	
<b>Second through Fifth Year</b>	
Amana will provide a free replacement part, f.o.b. Amana, Iowa, for any electronic control component (high voltage and low voltage P.C. boards, upper trim keyboard assembly) which is defective due to workmanship or materials.	
<b>Sixth through Tenth Years</b>	
Amana will provide a replacement part f.o.b. Amana, Iowa, for any sealed system component (compressor, condenser, evaporator, and interconnecting tubing), which is defective due to workmanship or materials.	
<b>Warranty Limitations</b>	<b>Owner's Responsibilities</b>
<ul style="list-style-type: none"><li>• Begins at date of original purchase.</li><li>• Applies to product used within the United States or in Canada if product has Canadian Standards Association listing when Shipped from the factory.</li><li>• Service must be performed by an <b>authorized</b> Amana technician.</li></ul>	<ul style="list-style-type: none"><li>• Provide proof of purchase (sales receipt).</li><li>• Provide normal care and maintenance. Replace owner replaceable items where directions appear in Owner's Manual.</li><li>• Make product reasonably accessible for service.</li><li>• Pay premium service costs for service outside technician's normal business hours.</li><li>• Pay for service calls related to product installation and usage.</li></ul>
<b>Warranty Is Void If</b>	<b>In no event shall Amana be liable for incidental or consequential damages including food loss*</b>
<ul style="list-style-type: none"><li>• Serial plate is defaced.</li><li>• Product is used on a commercial, rental or leased basis.</li><li>• Product has defect or damage due to product accident, alteration, connection to an improper electrical supply, fire, flood, lightning, shipping and handling, or other conditions beyond the control of Amana.</li><li>• Product is improperly installed or used.</li></ul>	<p>*This warranty gives you specific legal rights and you may have others which vary from state to state. For example, some states do not allow the exclusion or limitation of incidental or consequential damages so this exclusion may not apply to you.</p>

# Warranty (Nonelectronic Models)

<b>Full One Year Warranty</b>	
<b>Full Five Year Warranty on Sealed System Components and Food Compartment Liner</b>	
<b>Limited Ten Year Warranty on Sealed System Components</b>	
<b>First Year</b>	
Amana will repair or replace, free of charge, any part which is defective due to workmanship or materials.	
<b>Second through Fifth Year</b>	
Amana will replace, free of charge, any sealed system component (compressor, condenser, evaporator and interconnecting tubing) and repair any food compartment liner (exclusive of door liner) which is defective due to workmanship or materials.	
<b>Sixth through Tenth Year</b>	
Amana will provide a replacement part f.o.b. Amana, Iowa, for any sealed system component (compressor, condenser, evaporator, and interconnecting tubing), which is defective due to workmanship or materials.	
<b>Warranty Limitations</b>	<b>Owner's Responsibilities</b>
<ul style="list-style-type: none"><li>• Begins at date of original purchase.</li><li>• Applies to product used within the United States or in Canada if product has Canadian Standards Association listing when shipped from the factory.</li><li>• Service must be performed by an <b>authorized</b> Amana technician.</li></ul>	<ul style="list-style-type: none"><li>• Provide proof of purchase (sales receipt).</li><li>• Provide normal care and maintenance. Replace owner replaceable items where directions appear in Owner's Manual.</li><li>• Make product reasonably accessible for service.</li><li>• Pay premium service costs for service outside technician's normal business hours.</li><li>• Pay for service calls related to product installation and usage.</li></ul>
<b>Warranty Is Void If</b>	<b>In no event shall Amana be liable for incidental or consequential damages including food loss*</b>
<ul style="list-style-type: none"><li>• Serial plate is defaced.</li><li>• Product is used on a commercial, rental or leased basis.</li><li>• Product has defect or damage due to product accident, alteration, connection to an improper electrical supply, fire, flood, lightning, shipping and handling, or other conditions beyond the control of Amana.</li><li>• Product is improperly installed or used.</li></ul>	<p>*This warranty gives you specific legal rights and you may have others which vary from state to state. For example, some states do not allow the exclusion or limitation of incidental or consequential damages so this exclusion may not apply to you.</p>



# Table des matières

# Normes électriques

Normes électriques .....	20
Identification du modèle .....	21
Mise au rebut du réfrigérateur .....	21
Instructions d'installation .....	22
Liste de contrôle d'installation .....	25
Commandes	
Commandes Deepfreeze® et Fresh Food .....	26
Réglage des commandes .....	26
Commandes électroniques Touchmatic™ (certains modèles) .....	26
Caractéristiques Fresh Food	
Clayettes Fresh Food .....	28
Système Chiller Fresh™ (sur certains modèles) ....	28
Bacs à légumes Garden Fresh™ .....	28
Rayon de rangement (certains modèles) .....	29
Compartiment de rangement couvert .....	29
(certains modèles) .....	29
Casier laitier (certains modèles) .....	29
Refroidisseur de casse-croûte (certains modèles)	30
Refroidisseur de boissons à température contrôlée™ (certains modèles) .....	30
Compartiments de porte .....	30
Clayettes de porte .....	31
Séparateur réglable (certains modèles) .....	31
Caractéristiques Deepfreeze®	
Appareil à glaçons automatique .....	31
(certains modèles) .....	31
Rayon Deepfreeze® (certains modèles) .....	32
Système Stor-Mor® .....	32
Dispositifs de retenue des portes .....	32
(certains modèles) .....	32
Conteneur de grands emballages .....	33
(certains modèles) .....	33
Distributeur Ice 'N' Water™ (certains modèles)	
Fonctionnement du distributeur d'eau .....	33
Fonctionnement du distributeur de glaçons .....	33
Retrait du bac à glace .....	34
Éclairage du distributeur (certains modèles) ....	34
Goût et odeur de l'eau .....	34
Entretien et nettoyage .....	34
Général .....	34
Suppression des odeurs .....	34
Adhésifs .....	35
Joint de porte .....	35
Bobines de condensateur .....	35
Clayettes en verre .....	35
Ampoules électriques .....	36
Bruits de fonctionnement normaux .....	37
Avant d'appeler le technicien .....	37
Programme d'entretien Asure™ .....	39
Conseils pour économiser l'énergie .....	39
Conseils pour les vacances .....	39
Garantie (modèles non électroniques) .....	40
Garantie (modèles électroniques) .....	40

 **Ce symbole indique une mesure de sécurité**

## **MISE EN GARDE**

Pour éviter tout risque d'électrocution pouvant causer des blessures ou entraîner la mort, Le réfrigérateur doit être mis à la terre.

Instructions de mise à la terre - Ce réfrigérateur est muni d'une fiche à 3 broches pour prévenir le risque d'électrocution. Si une prise de courant à deux broches est présente, contacter un électricien qualifié et faire remplacer la prise de courant à deux

broches par une prise de courant à trois broches correctement mise à la terre conformément aux normes du Code national de l'électricité.

Le réfrigérateur est conçu pour fonctionner sur une ligne de 60 Hz, 15 ampères, 103 à 126 volts.

**Ne jamais couper ou enlever la broche ronde de mise à la terre de la fiche. Le réfrigérateur doit être mis à la terre en tout temps. Ne jamais enlever l'étiquette d'avertissement du cordon d'alimentation.**

## **MISE EN GARDE**

**Ne jamais utiliser d'adaptateur à deux broches. Ne jamais utiliser de rallonge.**

IMPORTANT: Child entrapment and suffocation are not problems of the past. Junked or abandoned refrigerators are still dangerous—even if they will sit for “just a few days.” If you are getting rid of your old refrigerator, please follow the instructions below to help prevent accidents.

## Identification du modèle

Merci d'avoir fait l'achat d'un réfrigérateur Amana®. Veuillez lire attentivement le manuel du propriétaire. Ce manuel renferme des renseignements sur l'entretien de l'appareil. Pour toute question, appeler le service à la clientèle au **1-800-843-0304** aux États-Unis et le **1-319-622-5511** à l'extérieur des États-Unis.

**Remplir la carte d'enregistrement** et la renvoyer promptement. Si aucune carte d'enregistrement n'est fournie, appeler le service à la clientèle.

Lorsque vous communiquez avec Amana, veuillez fournir les renseignements concernant l'appareil. Ces renseignements apparaissent sur la plaque du numéro de série située dans le coin supérieur gauche, plafond du compartiment Fresh Food. Veuillez noter les renseignements suivants :

Numéro de modèle : \_\_\_\_\_  
Numéro de fabrication : \_\_\_\_\_  
Numéro de série : \_\_\_\_\_  
Date d'achat : \_\_\_\_\_  
Nom et adresse du marchand : \_\_\_\_\_

**Veuillez conserver une copie de la facture** pour référence future.

Amana possède également un réseau de techniciens indépendants agréés. Appeler le **1-800-628-5782** aux États-Unis ou le **1-319-622-5511** à l'extérieur des États-Unis pour connaître le centre de service agréé ou technicien indépendant agréé par Amana le plus près de chez vous. Les réparations sous garantie doivent être effectuées par un technicien **agréé** par Amana. Amana recommande également de contacter un technicien **agréé** par elle-même si l'appareil nécessite une réparation suite à l'expiration de la garantie.

Amana offre une gamme complète d'appareils ménagers: surfaces de cuisson, lave-vaisselle, sécheuses, congélateurs, four à micro-ondes, cuisinières, fours encastrés et laveuses. Amana fabrique également une vaste sélection de fourneaux à gaz et d'appareils de climatisation centrale et individuelle.

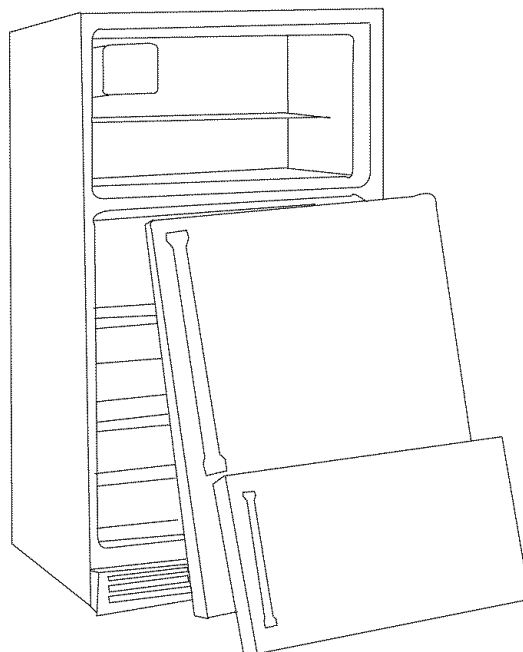
Nous espérons que vous apprécierez ce nouveau réfrigérateur Amana®.

## Mise au rebut du réfrigérateur

**IMPORTANT** : Les enfants qui se trouvent enfermés dans un réfrigérateur et y meurent d'asphyxie ne sont pas un problème du passé. Les réfrigérateurs mis au rebut ou abandonnés sont encore dangereux, même s'ils ne sont là que « pour quelques jours ». Lors de la mise au rebut d'un réfrigérateur, veiller à suivre les indications ci-dessous pour éviter les accidents.

### AVANT DE JETER VOTRE VIEUX RÉFRIGÉRATEUR OU CONGÉLATEUR :

- **Enlever les portes.**
- **Laisser les étagères en place de façon à ce que les enfants aient des difficultés à se glisser à l'intérieur.**



# Instructions d'installation

Une installation adéquate assurera le fonctionnement efficace de ce réfrigérateur. Amana® ne peut être tenue responsable en cas d'installation inadéquate.

## 1. Enlever les portes si nécessaire.

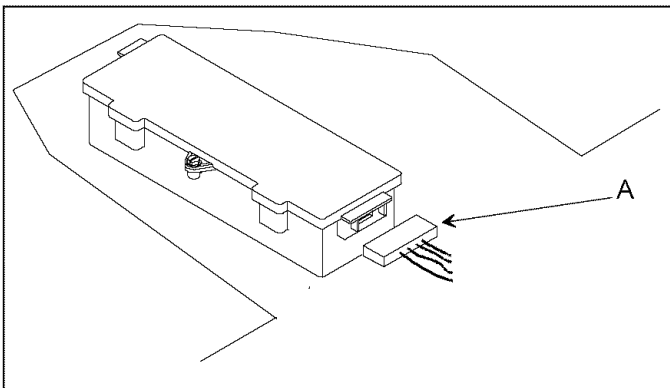
### ⚠ MISE EN GARDE

Pour éviter tout risque d'électrocution pouvant causer des blessures graves, voire mortelles, toujours débrancher le réfrigérateur avant d'enlever les portes. Après avoir replacé les portes, brancher l'appareil.

a. Enlever la grille.

#### b. Modèles électroniques

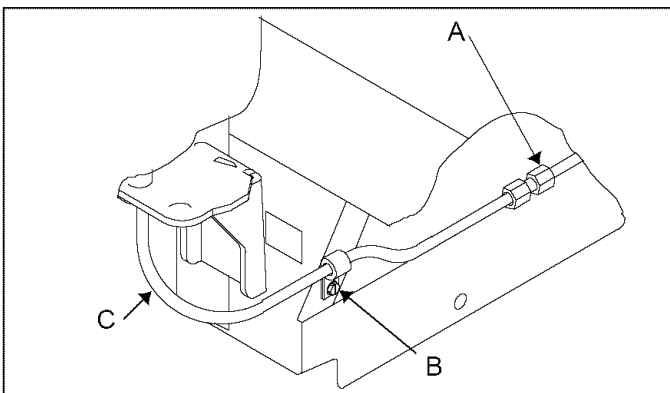
Débrancher le faisceau de câbles du boîtier de tension.



A. Faisceau de câbles

#### c. Modèles avec distributeur

Desserrer la vis de serrage du tuyau d'eau. Desserrer l'écrou de raccord du tuyau d'eau en plastique. Tirer le tuyau d'eau hors de l'écrou de raccord et à travers le bride de fixation du tuyau.



A. Écrou de raccord du tuyau d'eau en plastique  
B. Vis de serrage du tuyau d'eau  
C. Tuyau d'eau

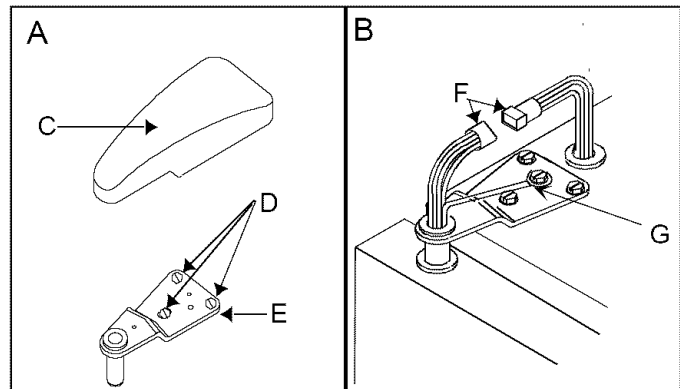
d. Retirer les couvercles des charnières supérieures. (A dessous)

### ⚠ MISE EN GARDE

Pour éviter tout risque d'électrocution pouvant causer des blessures graves, voire mortelles, le fil de mise à la terre vert doit rester fixé à la charnière.

#### e. Modèles avec distributeur et modèles électroniques

Débrancher les serre-fils de la charnière supérieure. Soulevez et retirez avec précaution les charnières supérieures. Ne modifiez pas la position de leur cale. (B dessous)



C. Couvercle des charnières  
D. Vis des charnières de porte  
E. Charnière supérieure  
F. Serre-fils  
G. Fil de mise à la terre vert

f. Enlever les portes.

### ⚠ Attention

Pour éviter tous dégâts matériels, recouvrir les tuiles de vinyle ou autre type de plancher avec du carton, des tapis ou autre matériel de protection avant de déplacer le réfrigérateur.

g. Glisser le chariot servant à transporter l'appareil sous le côté du réfrigérateur. Recouvrir le réfrigérateur avec un coussin ou une couverture. Enfiler la courroie du chariot autour du réfrigérateur et serrer. Ne pas trop serrer la courroie. Déplacer le réfrigérateur devant l'endroit désiré.  
h. Replacer les portes en procédant à l'inverse des étapes a-f. Utiliser une pièce d'un sou sur le dessus des portes pour créer un espace de  $\frac{3}{4}$  po (18 mm) entre la porte et l'appareil.

## 2. Raccordement de l'alimentation en eau

### ⚠ Attention

Pour éviter tout risque d'électrocution pouvant causer des blessures ou entraîner la mort, débrancher le réfrigérateur avant de raccorder l'alimentation en eau. Après avoir raccordé l'alimentation en eau, brancher de nouveau l'appareil.

### ⚠ Attention

Pour éviter tous dégâts matériels, prière de respecter les consignes suivantes:

- S'assurer que la pression d'eau vers la soupape se situe entre 20 et 100 lbs. par po.<sup>2</sup>.
- Serrer l'écrou pour éviter que le filetage ne s'entrecroise. Terminer en serrant les écrous avec des pinces et des clé. Ne pas trop serrer.
- Rechercher les fuites d'eau et remédier au problème s'il y a lieu avant de replacer le réfrigérateur à sa position normale et 24 heures avant de le brancher.

### Important

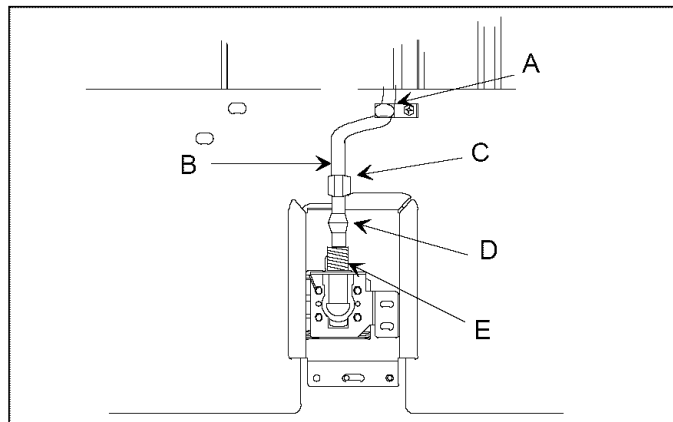
- Avant de brancher l'alimentation en eau, contacter un plombier pour raccorder la conduite en cuivre sur l'arrivée d'eau de la maison conformément aux codes et règlements locaux.
- **Ne recommande pas l'utilisation d'un rovinet à étrior de  $\frac{3}{16}$  po (5 mm) ni de robinet auto-taraudeur.** L'un comme l'autre réduisent le débit d'eau, se bouchent au fil des années et peuvent par ailleurs provoquer des fuites lorsqu'on essaie de les réparer. Pour convenir, un robinet d'arrêt exige le percement d'un trou de  $\frac{1}{4}$  po (6 mm) dans la conduite d'alimentation en eau avant d'y fixer le robinet. Le industriel ne peut être tenue responsable des dommages causées par un raccordement incorrect de l'alimentation en eau.

### Matériel nécessaire

Conduite en cuivre flexible de  $\frac{1}{4}$  po (6 mm). La longueur de la conduite en cuivre doit atteindre le raccord d'alimentation en eau plus 2 m (8 pi) pour la boucle de service derrière le réfrigérateur.

### Procédure

1. Enlever le capuchon en plastique du connexion d'entrée de la soupape d'eau. Placer l'écrou et le manchon en laiton sur le tuyau en cuivre. Insérer la conduite en cuivre dans le connexion d'entrée de la soupape d'eau. S'assurer que le tuyau en cuivre est bien en place en tirant sur celui-ci.



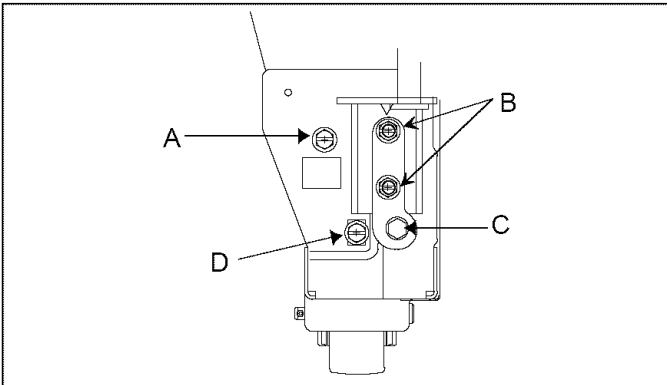
- A. Collier en "P"      B. Conduite en cuivre  
C. Écrou en laiton    D. Manchon en laiton  
E. Connexion d'entrée de la soupape d'eau.

2. Ouvrir l'alimentation en eau du réfrigérateur et vérifier l'absence de fuite. Colmater toute fuite.
3. Créer une boucle de service en prenant soin d'éviter les noeuds. **Bien fixer le tuyau en cuivre au cabinet du réfrigérateur avec un cooier en "P".**
3. **Brancher le cordon d'alimentation.**
4. **Déplacer le réfrigérateur à l'endroit désiré.**

---

## 5. Mettre le réfrigérateur de niveau et aligner les portes.

- a. Enlever la grille inférieure.
- b. Tourner la vis de réglage du rouleau pour élever ou abaisser le réfrigérateur jusqu'à ce qu'il soit stable. Certains modèles sont équipés de roulettes réglables à l'arrière et à l'avant.
- c. **Modèles avec came s'ajustant aux charnières**  
Si les parties supérieures des portes ne sont pas alignées suite à la mise à niveau, desserrer les vis des charnières de la porte du réfrigérateur d'un demi-tour. Tourner la came dans le sens horaire, un incrément à la fois, jusqu'à ce que les portes soient alignées. Ouvrir et fermer les portes. Serrer les vis des charnières.



- A. Vis de réglage des roulettes arrière
- B. Porte charnière vis
- C. Came s'ajustant aux charnières
- D. Vis de réglage des roulettes avant

## 6. Vérifier la « Liste de contrôle d'installation » dans le manuel du propriétaire avec le client.

# Liste de contrôle d'installation

---

Cette liste de contrôle d'installation est présentée pour usage personnel seulement.

## Propriétaire Installateur

### Portes

Les portes sont alignées les unes sur les autres. (Après avoir placé de la nourriture dans le réfrigérateur, le propriétaire devrait vérifier l'alignement des portes.)

Les portes sont bien scellées au meuble du réfrigérateur.

Les poignées sont solidement fixées aux portes.

### Modèles avec distributeur Ice 'N' Water™ et modèles électroniques Touchmatic™

Si l'installation du réfrigérateur nécessite l'enlèvement des portes, les serre-fils des charnières supérieures sont branchés de nouveau.

### Mise à niveau

Le réfrigérateur est stable.

La grille est bien fixée au réfrigérateur.

### Appareil à glaçons

L'alimentation en eau du réfrigérateur fonctionne.

Aucune fuite n'est présente dans le raccord entre l'alimentation en eau de la maison et le réfrigérateur. (Après 24 heures, le propriétaire doit vérifier qu'il n'y a pas de fuite dans le raccord.)

Le bras de l'appareil à glaçons est en position « on » (marche). Celui-ci est donc prêt à fabriquer des glaçons. (La fabrication du premier lot de glace peut prendre jusqu'à 24 heures.)

### Documentation concernant le produit

Le manuel du propriétaire doit comprendre les renseignements suivants :

- carte d'enregistrement de l'appareil,
- commandes Fresh Food et Deepfreeze®,
- système Chiller Fresh™,
- bacs à légumes Garden Fresh™,
- bruits de fonctionnement normaux.

Notes \_\_\_\_\_  
\_\_\_\_\_  
\_\_\_\_\_  
\_\_\_\_\_

Signature du propriétaire

Nom de l'entreprise de l'installateur

Signature de l'installateur Numéro de téléphone

Date

# Commandes

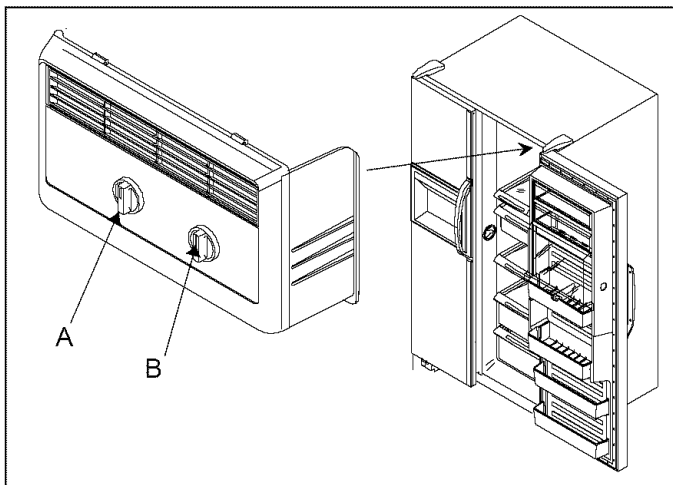
# Commandes électroniques

## Touchmatic™ (certains modèles)

Ce réfrigérateur fonctionne de façon plus efficace lorsque la température ambiante se situe entre 55 et 110 °F (13 à 43 °C).

### Commandes Deepfreeze® et Fresh Food

Les commandes Deepfreeze® et Fresh Food sont situées sur la partie arrière supérieure du compartiment Fresh Food®.



A. Commande Deepfreeze®

B. Commande Fresh Food

Lorsque la commande Deepfreeze® est en position « off » (arrêt), ni l'un ni l'autre des compartiments Fresh Food ou Deepfreeze® ne se refroidiront. Au départ, régler ces deux commandes sur 4. Attendre 24 heures avant que les compartiments Fresh Food et Deepfreeze® n'aient atteint les températures désirées. Après 24 heures, régler les commandes sur les valeurs désirées 1 chiffre à la fois. Le réglage le plus chaud est 1 tandis que 7 est le réglage le plus froid.

### Réglage des commandes

Régler les commandes avec précision à l'aide d'un thermomètre domestique dont les températures se situent entre -5 et 50 °F (-21 et 10 °C).

Placer le thermomètre entre les emballages congelés dans le compartiment Deepfreeze®. Attendre 5 à 8 heures. Si la température Deepfreeze® ne se situe pas entre 0 et 2 °F (-17 et -16 °C), régler la commande, 1 chiffre à la fois. Vérifier de nouveau après 5 à 8 heures.

Placer le thermomètre dans un verre d'eau au milieu du compartiment Fresh Food. Attendre 5 à 8 heures. Si la température du compartiment Fresh Food ne se situe pas entre 38 et 40 °F (3 et 4 °C), régler la commande, 1 chiffre à la fois. Vérifier de nouveau après 5 à 8 heures.

Localiser l'interrupteur de puissance sur le côté droit de la boîte noire au centre du meuble derrière la grille. Mettre l'interrupteur en position « on » (marche) avant de programmer.

Les commandes électroniques Touchmatic™ sont situées entre les poignées de porte du réfrigérateur. Appuyer sur la touche \* pour activer le tableau de commande. Toutes les autres touches, à l'exception de « ALARM OFF » (Alarme éteinte), demeurent inactives jusqu'à ce que l'on appuie sur \*. Une fois activées, les touches demeurent programmables pendant au moins 10 minutes.

Les commandes Fresh Food et Deepfreeze® sont pré-réglées sur 5. Attendre 24 heures après avoir branché l'appareil pour que les compartiments Fresh Food et Deepfreeze® atteignent les températures désirées. Après 24 heures, régler les commandes sur les positions désirées. Un constitue le réglage le plus chaud et 9, le plus froid. Consulter la section « Réglage des commandes » pour régler les commandes de façon adéquate.

- Régler la température du réfrigérateur ou du congélateur en appuyant sur \* puis sur la touche « REF TEMP » (Température du réfrigérateur) ou sur « FREEZER TEMP » (Température du congélateur). Appuyer sur la touche « WARMER » (Plus chaud) ou « COLDER » (Plus froid) pour régler la température un niveau à la fois. Pour régler la température de plus d'un niveau à la fois, appuyer de façon continue sur « WARMER » ou « COLDER ».

### Signal sonore d'entrée

Le signal sonore d'entrée indique qu'une touche a été enfoncée et que la commande a été lue et acceptée.

- Désactiver le signal sonore d'entrée en appuyant et en maintenant la touche \* enfoncée pendant 3 à 5 secondes. Trois courts bips sonores indiquent que les instructions ont été reçues.
- Activer le signal sonore d'entrée en appuyant et en maintenant la touche \* enfoncée pendant 3 à 5 secondes.

### Mode vacances (Vacation Mode)

Le mode vacances permet de dégivrer le réfrigérateur moins souvent durant les périodes prolongées d'inutilisation.

- Activer le mode vacances en appuyant sur la touche \*, puis sur « VACATION » (Vacances). L'indicateur lumineux s'allumera.
- Désactiver le mode vacances en appuyant sur la touche \*, puis sur « VACATION ». Le mode vacances peut aussi être désactivé en ouvrant ou en fermant la porte du compartiment Deepfreeze® ou Fresh Food.

### Mode réfrigérateur Max (Max Cool Mode)

Le mode réfrigérateur Max permet de régler la température du compartiment Fresh Food sur le réglage le plus froid. Après 10 heures, la température du compartiment Fresh Food revient automatiquement au réglage précédent.

- Activer le mode réfrigérateur Max en appuyant sur la touche \*, puis sur « MAX COOL » (Température maximum du réfrigérateur). L'indicateur lumineux s'allumera.
- Désactiver le mode réfrigérateur Max avant la remise à zéro automatique en appuyant sur la touche \*, puis sur « MAX COOL ».

### Mode congélateur rapide (Fast Freeze Mode)

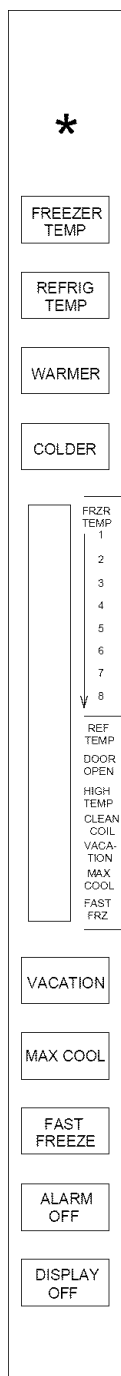
Le mode congélateur rapide permet de régler la température du congélateur sur le réglage le plus froid. Après 24 heures, la température du congélateur revient automatiquement au réglage précédent.

- Activer le mode congélateur rapide en appuyant sur la touche \*, puis sur « FAST FREEZE » (Température maximum du congélateur). L'indicateur lumineux s'allumera.
- Désactiver le mode congélateur rapide avant la remise à zéro automatique en appuyant sur la touche \*, puis sur « FAST FREEZE ».

### Alarme d'ouverture de porte (Door Open Alarm)

lumineux clignote lorsque l'une des portes demeure ouverte durant plus de 3 minutes.

- Désactiver l'alarme d'ouverture de porte en appuyant sur la touche « ALARM OFF » (Arrêt de l'alarme) ou en fermant l'une des portes.
- Activer l'alarme d'ouverture de porte en appuyant sur la touche \*, puis en maintenant la touche « ALARM OFF » enfoncée durant 3 à 5 secondes. Trois courts bips sonores indiquent que les instructions ont été reçues.



### Alarme de température élevée (High Temperature Alarm)

L'alarme de température élevée se fait entendre et un indicateur lumineux s'allume lorsque la température du réfrigérateur ou du congélateur est élevée pendant plus de 2 heures. Un voyant clignotant indique le compartiment affecté. L'alarme cesse de sonner lorsque la température appropriée est atteinte.

- Désactiver l'alarme de température élevée en appuyant sur la touche « ALARM OFF ».

### Alarme de thermistance (Thermistor Alarm)

La thermistance détecte automatiquement la température des compartiments Deepfreeze® et Fresh Food. L'alarme de la thermistance se fait entendre et les indicateurs lumineux défilent de haut en bas si la thermistance des compartiments Deepfreeze® et Fresh Food ne fonctionne pas correctement.

- Désactiver l'affichage en appuyant sur la touche « ALAR05 ».

### Si l'alarme de la thermistance retentit, contacter immédiatement un technicien agréé par Amana.

Si la touche « ALARM OFF » est enfoncée, la commande de la thermistance procède à un nouvel essai pour s'assurer que l'on a remédié au problème. L'alarme retentit de nouveau si la thermistance ne fonctionne toujours pas adéquatement.

### Lumières d'affichage (Display Lights)

- Désactiver les lumières d'affichage de température en appuyant sur la touche \*, puis sur « DISPLAY OFF » (Affichage désactivé).
- Activer les lumières d'affichage de température en appuyant sur n'importe laquelle des 5 touches de la partie supérieure.

### Nettoyage de la lumière des bobines du condensateur (Clean Condenser Coil Light)

La lumière des bobines du condensateur s'allume à tous les 3 mois afin de rappeler qu'il faut nettoyer les bobines du condensateur. La lumière s'éteint automatiquement après 72 heures.

- Pour désactiver la lumière des bobines du condensateur avant la remise à zéro automatique, appuyer sur la touche « ALARM OFF ».

# Caractéristiques Fresh Food

## ⚠ Attention

Pour éviter tous dégâts matériels, s'assurer que la clayette est bien installée avant de placer des articles sur celle-ci.

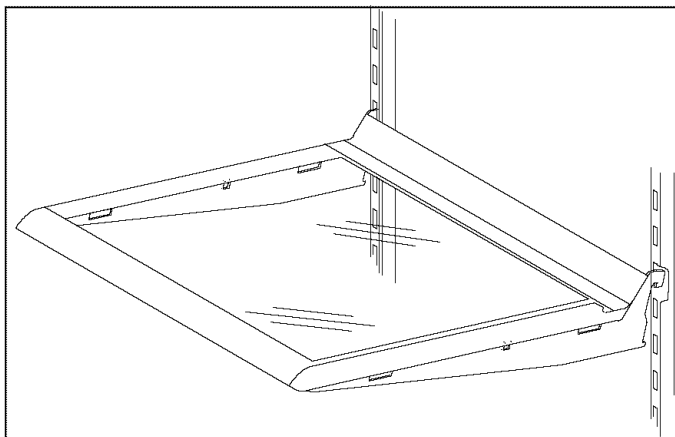
### Clayettes Fresh Food

Les modèles comportent des clayettes en métal ou en verre qui s'ajustent vers le haut ou le bas pour satisfaire aux besoins individuels de rangement. Certains modèles sont équipés de clayettes Spillsaver™. Celles-ci sont conçues pour retenir les liquides renversés afin de faciliter le nettoyage.

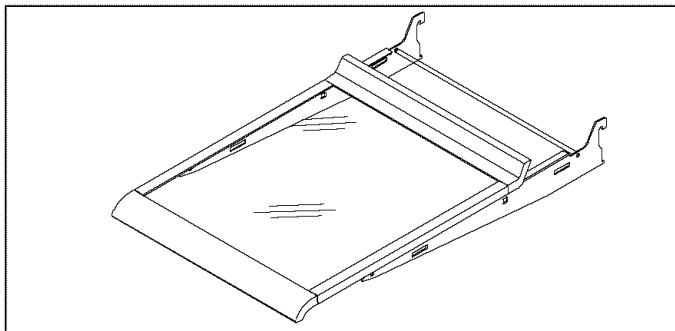
## ⚠ Attention

Pour éviter tous dégâts matériels ou toutes blessures, manipuler les clayettes en verre trempé avec soin. Les clayettes peuvent se casser soudainement si elles sont entaillées, égratignées ou exposées à un changement soudain de température.

- Enlever les clayettes en soulevant le devant et en relâchant les crochets de la crémaillère métallique, puis en tirant.
- Replacer les clayettes en insérant les crochets dans la crémaillère métallique et en rabaisant le devant.



Les clayettes EasyGlide™ se tirent vers l'avant pour permettre un accès facile aux articles rangés à l'arrière.

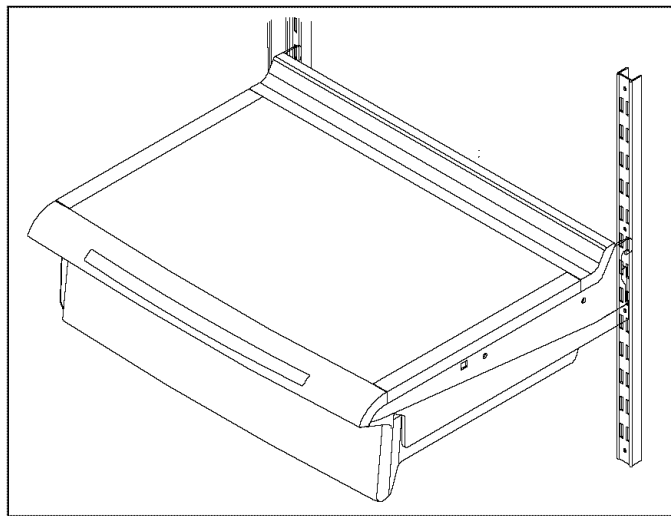


### Système Chiller Fresh™ (sur certains modèles)

Le système Chiller Fresh™ se compose d'un tiroir entouré d'un manchon. De l'air circule entre le tiroir et le manchon, gardant ainsi les aliments frais plus longtemps et à une température jusqu'à 5 °F (3 °C) plus froide que dans le reste du compartiment Fresh Food.

Localiser, sous les moulures avant de la clayette, le réglage Chiller Fresh™ permettant de moduler la circulation de l'air du compartiment congélateur entre le tiroir et le manchon. Faire coulisser le thermostat sur « cold » (froid) pour obtenir une température similaire à celle du compartiment Fresh Food et sur « coldest » (le plus froid) pour une température plus froide. Des cristaux de glace peuvent se former dans le tiroir sur le réglage « coldest ». L'air froid qui circule autour du tiroir peut légèrement faire baisser la température du compartiment Fresh Food, dont le thermostat peut devoir être modifié.

- Pour enlever le tiroir, le soulever et tirer. Pour enlever la clayette, en soulever l'avant et dégager les crochets de la crémaillère métallique, puis tirer vers soi.
- Pour remettre la clayette en place, insérer les crochets sur la crémaillère métallique et abaisser l'avant. Utiliser les encoches entre la 8<sup>e</sup> et la 11<sup>e</sup> incluses. Pour remettre le tiroir, le faire glisser en place. Vérifier que la gaine est bien ajustée sur l'arrivée d'air sur la paroi latérale.



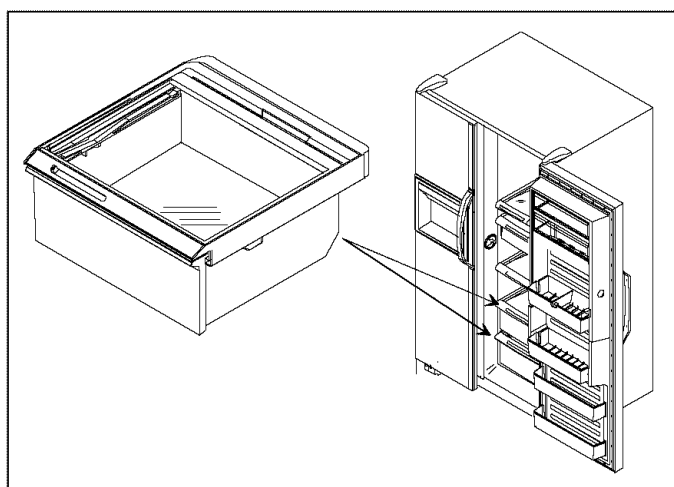
### Bacs à légumes Garden Fresh™

Les bacs à légumes Garden Fresh™ permettent de conserver la fraîcheur des aliments plus longtemps. Envelopper les aliments hermétiquement. Ne pas les laver avant de les placer dans les bacs. L'humidité excessive peut gâter les aliments prématurément. Ne pas étendre d'essuie-tout dans les tiroirs, car ce type de papier retient l'humidité.

La commande du bac à légumes Garden Fresh™ est située sous les moulures avant. La commande règle le taux d'humidité des bacs. La mettre sur « high » (élevé) pour les aliments feuillus tels que la laitue, les épinards ou le chou. La mettre sur « low » (faible) pour les aliments à peau tels que le chou-fleur, le maïs ou les tomates.

## ⚠ Attention

Pour éviter tous dégâts matériels ou toutes blessures graves, manipuler les clayettes en verre trempé avec soin. Les clayettes peuvent se casser soudainement si elles sont entaillées, égratignées ou exposées à un changement soudain de température.



Enlever la clayette et les bacs à légumes Garden Fresh™ en procédant de la façon suivante :

1. Ouvrir le bac à légumes.
2. Retirer la clayette en la soulevant doucement par en dessous. Incliner une extrémité en haut et tirer vers soi.
3. Retirer le bac à légumes en soulevant la partie avant tout en soutenant le dessous, puis tirer vers soi.
4. Replacer les bacs à légumes et la clayette en procédant à l'inverse des étapes 1 à 3.

### Rayon de rangement (certains modèles)

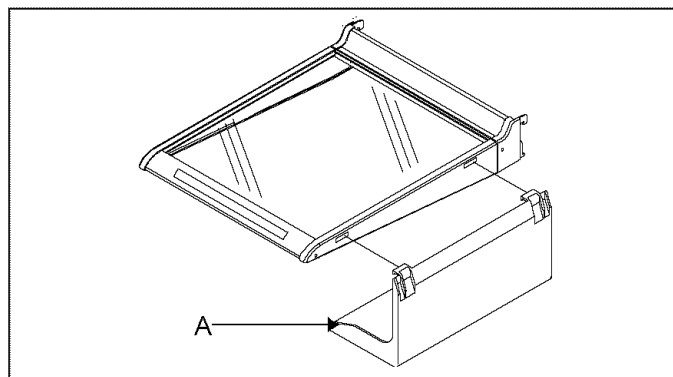
Le rayon de rangement permet de ranger facilement des articles tels qu'une grosse bouteille, des oeufs, etc.

Selon l'emplacement de la clayette, suspendre le rayon en suivant l'une des méthodes suivantes. Le rayon ne peut être installé à côté de l'ampoule électrique du compartiment Fresh Food.

- Enlever la clayette en soulevant la partie avant et en relâchant les crochets de la crémaillère métallique, puis en tirant vers soi. Suspendre le rayon en insérant les attaches dans les ouvertures prévues à cet effet sur le côté de la clayette. Replacer celle-ci en insérant

les crochets dans la crémaillère métallique et en abaissant la partie avant.

- Faire glisser le rayon le long de la clayette jusqu'à ce que les attaches soient insérées dans les ouvertures.

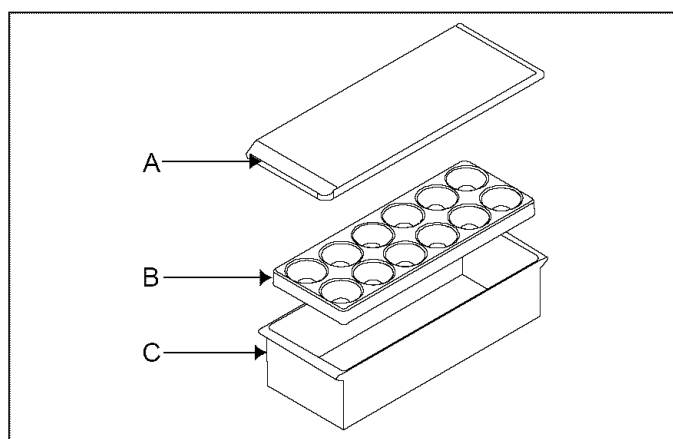


A. Rayon de rangement

### Compartiment de rangement couvert

(certains modèles)

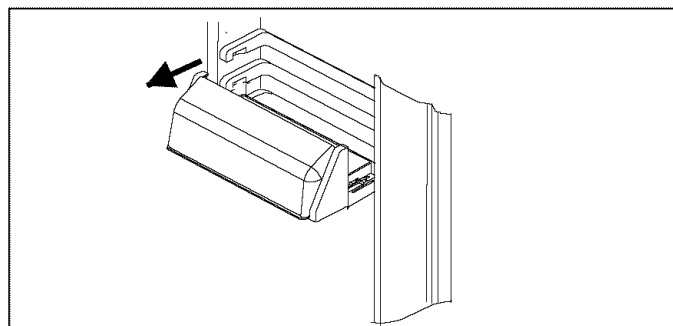
Le compartiment de rangement possède un couvercle et un oeufrier amovible. Lorsque l'oeufrier est enlevé, le compartiment peut contenir des articles tels qu'un carton d'oeufs standard, des glaçons, etc.



A. Couvercle B. Oeufrier  
C. Compartiment de rangement

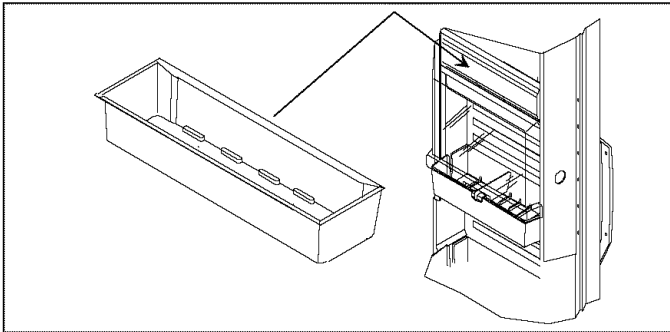
### Casier laitier (certains modèles)

Le casier laitier offre un espace de rangement pour des articles tels que le beurre, le fromage, etc.



## Refroidisseur de casse-croûte (certains modèles)

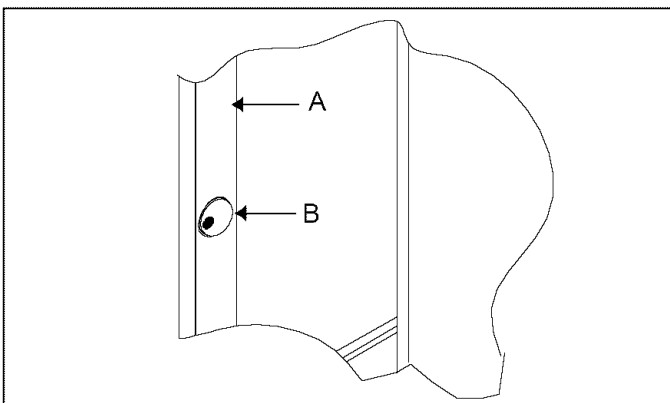
Le refroidisseur de casse-croûte offre un espace de rangement pratique pour les petits articles et les casse-croûte. Les articles restent plus froids grâce à l'air qui provient du refroidisseur de boissons à température contrôlée™.



## Refroidisseur de boissons à température contrôlée™ (certains modèles)

Le refroidisseur de boissons à température contrôlée™ garde les boissons jusqu'à 5 °F (3 °C) plus froid que le compartiment Fresh Food. L'entrée d'air permet à l'air du compartiment Deepfreeze® de circuler dans le refroidisseur de boissons. L'entrée d'air est située dans la paroi intérieure de la porte du compartiment Fresh Food.

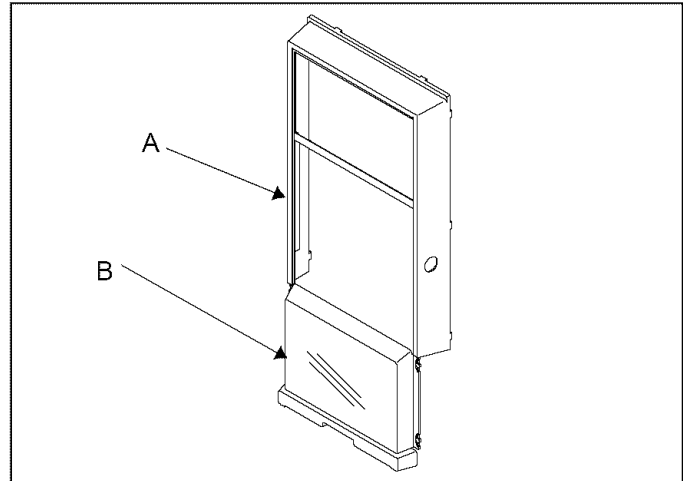
Le refroidisseur de boissons est situé sur la paroi avant gauche du compartiment Fresh Food. La commande règle la quantité d'air circulant dans le refroidisseur de boissons. Tourner la commande sur « cold » (froid) pour obtenir la température normale du compartiment Fresh Food et sur « colder » (plus froid) pour une température plus froide.



- A. Compartiment Fresh Food
- B. Commande de température

- Pour enlever la porte du refroidisseur de boissons, retirer les compartiments de porte de la partie inférieure en poussant les attaches vers le centre et tirant vers soi. Faire glisser la porte vers le bas et l'extérieur à travers la partie inférieure de la crémaillère.

- Replacer la porte du refroidisseur de boissons en la faisant glisser à travers la partie inférieure de la crémaillère de la porte. Les glissements de retenue doivent demeurer en place pour replacer la porte. Replacer les compartiments de porte en les faisant glisser vers l'intérieur jusqu'à ce que les attaches soient bien en place.

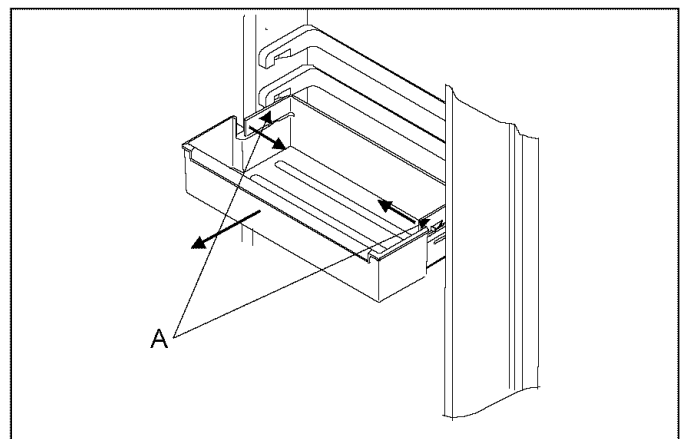


- A. Crémaillère de la porte
- B. Porte du refroidisseur de la porte

## Compartiments de porte

Les compartiments de porte sont ajustables pour s'adapter aux besoins de rangement.

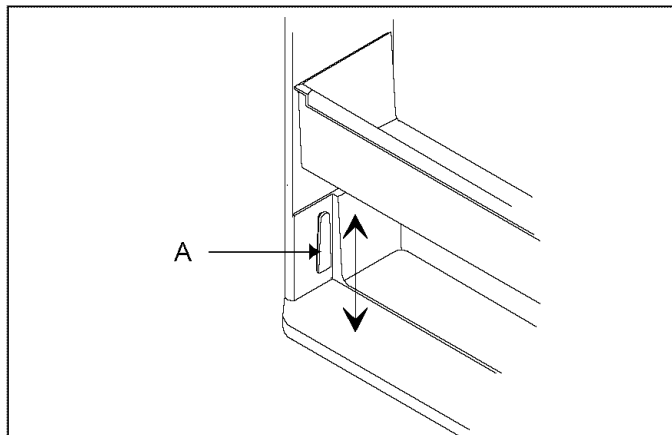
- Enlever les compartiments de porte en poussant les attaches vers le centre et en tirant.
- Replacer les compartiments de porte en les faisant glisser jusqu'à ce que les attaches soient bien verrouillées.



- A. Attaches

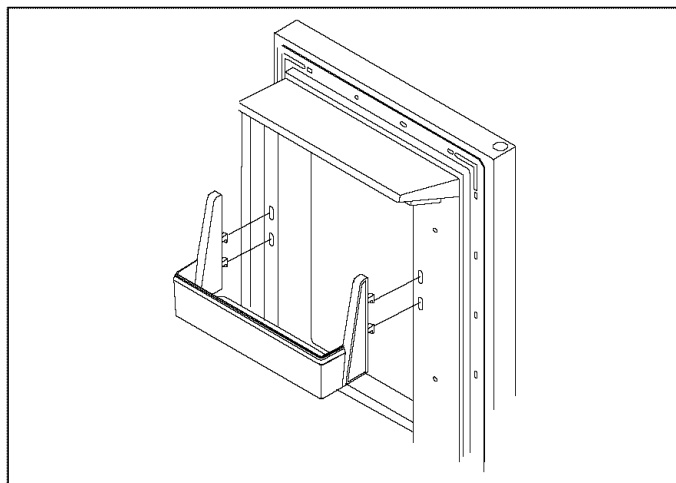
## Clayettes de porte

- Enlever les clayettes de porte coulissantes en soulevant les extrémités et en tirant vers soi.
- Replacer les clayettes de porte coulissantes en plaçant la clayette sur les glissements et en la faisant glisser vers le bas.



A. Glissement de clayette

- Enlever les clayettes de porte crochetées en soulevant les extrémités et en relâchant les crochets sur le dessous de la clayette.
- Replacer les clayettes de porte crochetées en insérant les crochets et en abaissant le dessous de la clayette. Pousser vers le bas sur les extrémités.

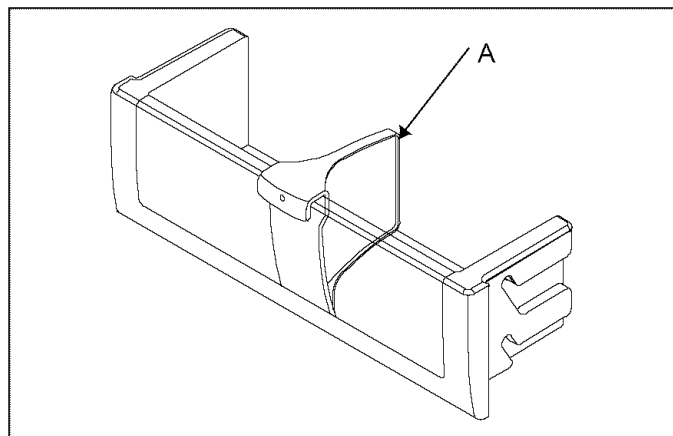


## ⚠ Attention

Pour éviter tous dégâts matériels, s'assurer que la clayette est bien fixée avant de placer des articles sur celle-ci.

## Séparateur réglable (certains modèles)

Le séparateur réglable permet de garder les articles en place et d'adapter le réfrigérateur aux besoins individuels de rangement. Le séparateur convient à tout compartiment ou clayette de porte.



A. Séparateur réglable

## Caractéristiques Deepfreeze®

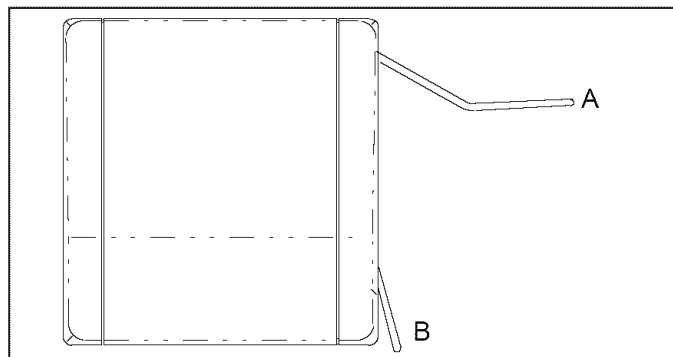
### ⚠ Attention

Pour éviter tous dégâts matériels, s'assurer que la clayette est bien fixée avant de replacer des articles sur celle-ci.

## Appareil à glaçons automatique

(certains modèles)

- S'assurer que le seau est en place et que le bras de l'appareil est tourné vers le bas.



A. Position « off » (arrêt)

B. Position « on » (marche)

- Après que le compartiment Deepfreeze® a atteint une température normale, l'appareil à glaçons se remplit d'eau et commence à fonctionner. Attendre 24 à 48 heures suite à l'installation avant que le premier lot de glaçons ne soit fabriqué. L'appareil à glaçons fabrique de 7 à 9 lots de glaçons durant une période de 24 heures dans des conditions idéales.
- Après que la glace s'est formée, l'appareil à glaçons laisse tomber les glaçons dans le seau à glace. Durant la fabrication des glaçons, le bras de l'appareil à glaçons se lève et s'abaisse. Lorsque le seau à glace est plein, le bras de l'appareil à glaçons arrête celui-ci. Jeter les trois premiers lots de glaçons suite au branchement du réfrigérateur à l'alimentation en eau domestique et après une période prolongée d'inutilisation.
- Soulever le bras de l'appareil à glaçons pour cesser la fabrication de glaçons. Un déclic se fait entendre lorsque la position correcte est atteinte. Le bras de l'appareil à glaçons demeure en position « off » (arrêt) jusqu'à ce qu'il soit poussé vers le bas.

## ⚠ Attention

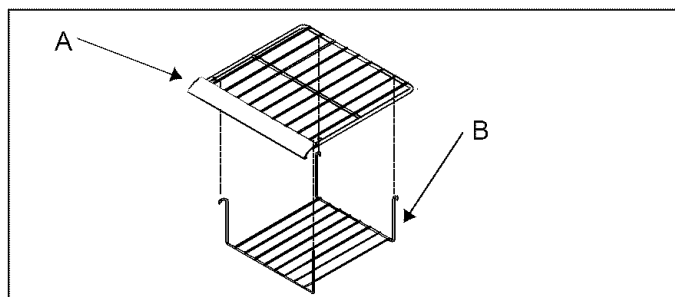
Pour éviter d'endommager l'appareil à glaçons, observer les consignes suivantes :

- Ne pas forcer le bras de l'appareil à glaçons vers le haut ou vers le bas.
- Ne jamais ranger quoi que ce soit dans le seau à glace.

## Rayon Deepfreeze® (certains modèles)

Le rayon Deepfreeze® retient les bacs à glaçons et offre un espace de rangement supplémentaire.

- Enlever le rayon Deepfreeze® en le soulevant et en poussant les crochets avant vers l'intérieur pour les retirer de la clayette. Tirer l'avant du rayon vers le bas. Pousser les crochets vers l'intérieur pour retirer les crochets arrière de la clayette. Faire glisser le rayon hors de la clayette.
- Replacer le rayon Deepfreeze® en poussant les crochets arrière vers l'intérieur et en plaçant les crochets par-dessus la clayette. Pousser les crochets avant vers l'intérieur et placer les crochets par-dessus la clayette.

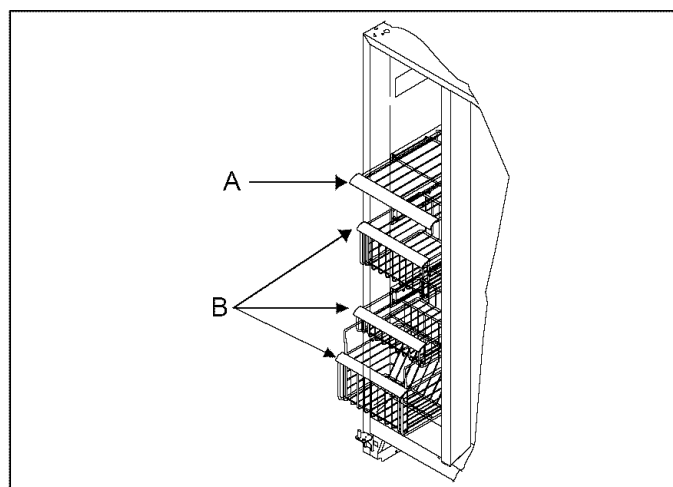


A. Clayette du congélateur  
B. Rayon Deepfreeze®

## Système Stor-Mor®

Les clayettes et les paniers métalliques peuvent coulisser vers l'avant pour faciliter l'accès aux articles rangés à l'arrière et peuvent être réglés de façon à satisfaire aux besoins individuels de rangement.

- Retirer les clayettes et les paniers en les soulevant et en tirant vers soi.
- Replacer les clayettes et les paniers en les installant sur les crémaillères latérales. Les faire glisser en ligne droite et vers l'arrière jusqu'à ce que le bouton rond soit derrière l'arrêt de la crémaillère.



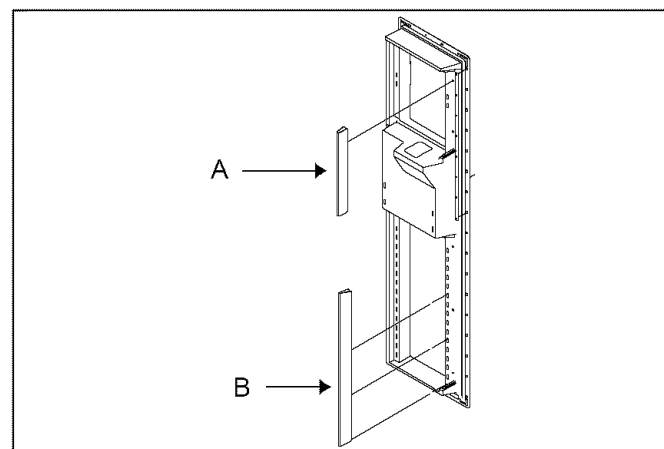
A. Clayette métallique B. Paniers métalliques

## Dispositifs de retenue des portes

(certains modèles)

Les dispositifs de retenue des portes se détachent pour faciliter le retrait des paniers et clayettes Deepfreeze®.

- Enlever le dispositif de retenue des portes en le tirant vers soi.
- Replacer le dispositif de retenue en l'alignant sur les extrusions sur la porte du compartiment Deepfreeze®. Pousser jusqu'à ce que le dispositif de retenue soit bien en place.



A. Dispositif de retenue des portes  
B. Dispositif de retenue des portes

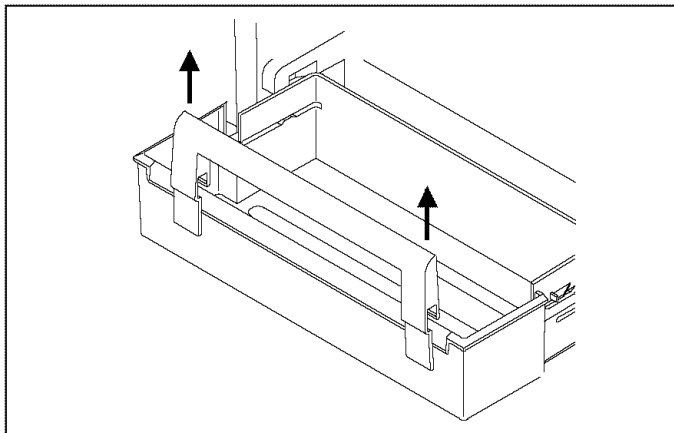
# Distributeur Ice 'N' Water™

(certains modèles)

## Conteneur de grands emballages

(certains modèles)

Le conteneur de grands emballages permet de retenir solidement les grands articles. Il peut être installé dans tout compartiment ou clayette de porte.



## ⚠ Attention

Pour éviter tous dommages matériels ou blessures, procéder comme suit:

- Ne pas faire fonctionner le distributeur avec la porte du compartiment Deepfreeze® ouverte.
- Ne pas mettre les doigts, les mains ou un objet quelconque dans l'ouverture du distributeur.
- Ne pas utiliser d'objets pointus pour casser la glace.

## Fonctionnement du distributeur d'eau

Allouer approximativement une minute après le raccordement du réfrigérateur à l'alimentation en eau avant que le distributeur d'eau se mette en marche. Jeter les 10 à 14 premiers récipients d'eau tirés après le raccordement du réfrigérateur à l'alimentation en eau ou lorsque le distributeur n'a pas fonctionné durant une certaine période de temps.

- Pour prendre de l'eau, pousser avec un récipient résistant à large ouverture sur le mécanisme.
- Pour fermer l'eau, cesser de pousser sur le mécanisme. Il se peut que l'eau continue de couler un peu. Le trop-plein n'a pas d'évacuation et si une quantité excessive d'eau s'y trouve renversée, il faut l'éponger et essuyer le trop-plein.

## Fonctionnement du distributeur de glaçons

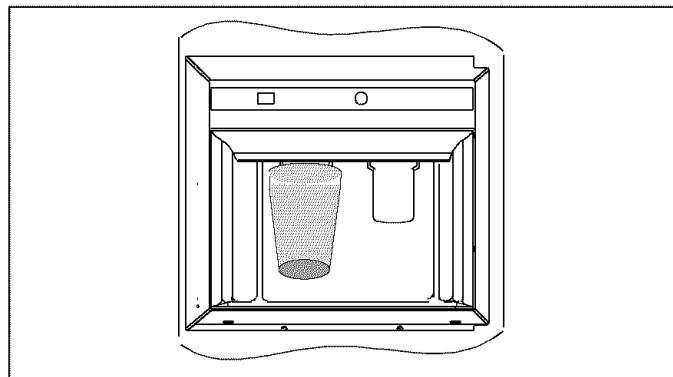
## ⚠ Attention

Pour éviter tous dommages matériels, ne pas mettre de glace directement dans des articles en verre, porcelaine ou cristal délicat.

- Sélectionner le mode glaçons ou glace pilée à l'aide du levier du distributeur. Pour prendre des glaçons, pousser avec un récipient à large ouverture sur le mécanisme.

### Important

Tenir le récipient directement sous l'ouverture de l'appareil et aussi haut que possible pour éviter que les morceaux de glaçons n'éclaboussent.



- Pour arrêter la production de glace, cesser de pousser sur le mécanisme avant que le récipient ne soit plein. Un peu de glace va continuer à tomber. Ne pas retirer le récipient avant que la glace ait cessé de tomber.

Si de la glace est produite de façon continue, le moteur du distributeur s'arrête au bout de trois à cinq minutes. Il se remet en état de marche au bout de trois minutes et la production de glace peut recommencer.

Lorsqu'on passe du mode glaçons au mode glace pilée, l'appareil ne fonctionne pas immédiatement dans ce nouveau mode et les morceaux de glace pilée sont de tailles et formes différentes. De la « neige » peut se former sur la porte et sur l'ouverture du distributeur lors de la production répétée de glace pilée. Laisser cette « neige » s'évaporer ou l'essuyer.

Le distributeur fonctionne uniquement avec des glaçons de la taille et de la forme (en croissant) appropriée. Ne pas ajouter de glaçons du commerce ou autres.

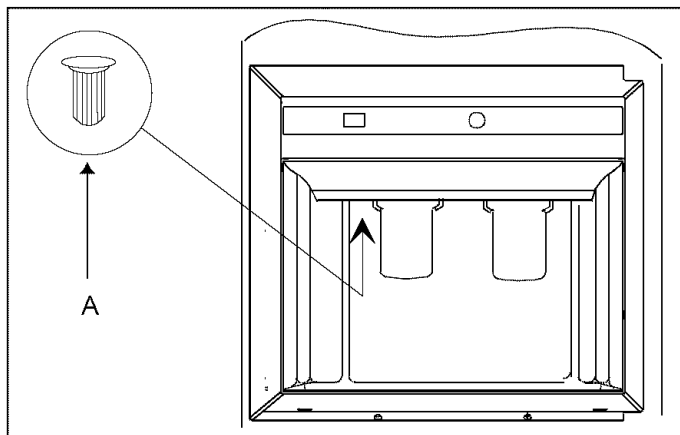
### Retrait du bac à glace

- Pour retirer le bac à glace, le soulever et tirer vers l'avant.
- Pour remettre le bac à glace en place, le faire glisser jusqu'à ce qu'il s'enclenche en place afin que le distributeur de glace fonctionne correctement. Si la porte du compartiment Deepfreeze® ne ferme pas, le bac n'est pas au bon endroit.

### Éclairage du distributeur (certains modèles)

Lorsqu'on prend de l'eau ou de la glace, une lumière s'allume au niveau du distributeur. Certains modèles comportent une lumière de nuit.

- Pour désactiver la lumière de nuit, appuyer sur l'interrupteur situé sous le distributeur et à gauche du mécanisme.



A. Interrupteur de la lumière de nuit

### Goût et odeur de l'eau

Procéder comme suit pour réduire au minimum les problèmes de goût et d'odeur :

- Placer la nourriture dans des récipients ou des sacs étanches et hermétiquement fermés.
- Poser un filtre à eau, pièce n° R0185011 sur la conduite d'eau.
- Contacter une société de traitement des eaux locales pour vous assurer l'assistance de spécialistes si vos difficultés persistent.

## Entretien et nettoyage

### ⚠ MISE EN GARDE

Pour éviter tout risque d'électrocution qui pourrait causer des blessures graves, voire mortelles, débrancher le courant du réfrigérateur avant de procéder au nettoyage. Après le nettoyage, brancher de nouveau le courant.

### ⚠ Attention

Pour éviter tous dégâts matériels ou toutes blessures corporelles, lire et suivre toutes les directives du fabricant des produits de nettoyage de l'appareil.

### Général

1. Nettoyer les surfaces avec 4 c. à table de bicarbonate de soude dissout dans un litre d'eau tiède et un linge doux et propre.
2. Rincer les surfaces à l'eau tiède et les essuyer avec un linge doux et propre.
  - Ne pas utiliser les articles suivants
  - produits nettoyants abrasifs ou décapants, ammoniacs, javellisant, etc.
  - détergents ou solvants concentrés
  - tampons à récurer métalliques

Ces articles peuvent égratigner, craqueler ou décolorer les surfaces.

- Ne pas placer les bacs, clayettes, etc. dans le lave-vaisselle

### Suppression des odeurs

1. Enlever toute la nourriture et débrancher le courant du réfrigérateur.
2. Nettoyer toutes les surfaces intérieures, notamment la partie supérieure, la partie inférieure et les parois conformément aux instructions générales. Porter une attention spéciale aux coins, fissures et rainures, de même qu'aux tiroirs, clayettes et joints.

3. Brancher le courant du réfrigérateur et y replacer la nourriture. Nettoyer et essuyer toutes les bouteilles, tous les contenants et les pots. Emballer la nourriture dans des contenants scellés hermétiquement afin de prévenir l'émanation d'odeurs. Après 24 heures, vérifier si l'odeur persiste.

Si l'odeur persiste, procéder de la façon suivante:

4. Recommencer les étapes 1 et 2.
5. Placer les légumes croquants du jardin sur la clayette supérieure du compartiment Fresh Food. Recouvrir les compartiments Fresh Food et Deepfreeze®, y compris les portes, avec des feuilles de papier journal noir et blanc chiffonnées.
6. Disposer les briquettes de charbon de bois un peu partout sur le papier journal.
7. Fermer les portes et laisser en place durant 24 à 48 heures.
8. Enlever les briquettes de charbon de bois et les journaux.
9. Recommencer les étapes 2 et 3.

Contactez le service à la clientèle si l'odeur persiste. Voir la section "Identification du modèle" pour connaître le numéro de téléphone.

### Adhésifs

1. Enlever les résidus de colle en frottant l'adhésif avec du dentifrice jusqu'à ce que celui-ci se décolle.
2. Rincer la surface à l'eau tiède. L'essuyer avec un linge doux et propre.

### Joint de porte

1. Nettoyer les joints de porte tous les 3 mois conformément aux instructions générales.
2. Appliquer une mince couche de gelée de pétrole afin de maintenir la souplesse des joints.

### Bobines de condensateur

Nettoyer la bobine de condensateur tous les 3 mois afin d'assurer un rendement maximum du réfrigérateur. La poussière accumulée et les peluches peuvent entraîner les problèmes suivants:

- refroidissement moins efficace
  - consommation d'énergie plus élevée
  - défaillance prématurée du compresseur
1. Enlever la grille en tenant les extrémités et en tirant vers l'avant.
  2. Nettoyer la surface avant de la bobine du condensateur avec le suceur d'un boyau d'aspirateur.
  3. Replacer la grille en insérant les attaches dans les trous et en les mettant en place avec un claquement.

## Attention

Pour éviter tous dégâts matériels, recouvrir les tuiles de vinyle ou autre type plancher avec du carton, des tapis ou autre matériel de protection avant de déplacer le réfrigérateur.

4. Tirer le réfrigérateur loin du mur. Passer l'aspirateur sur la grille de sortie d'aération du condensateur à l'arrière du réfrigérateur.

### Clayettes en verre

## Attention

Pour éviter tous dégâts matériels ou toutes blessures corporelles, manipuler les clayettes en verre trempé avec soin. Celles-ci peuvent casser soudainement si elles sont entaillées, égratignées ou exposées à un changement soudain de température.

Enlever la clayette en soulevant le devant, en relâchant les crochets de la crémaillère en métal, puis en tirant. Placer la clayette sur une serviette. La laisser s'adapter à la température ambiante avant de procéder au nettoyage.

Nettoyer les fentes en suivant ces étapes:

1. Diluer un détergent doux et appliquer la solution à l'intérieur des fentes en brossant celles-ci à l'aide d'une brosse à poils en plastique. Laisser pénétrer durant 5 minutes.
2. Vaporiser de l'eau tiède à l'intérieur des fentes à l'aide d'un vaporisateur conçu à cet effet.
3. Bien essuyer la clayette et replacer celle-ci en insérant les crochets dans la crémaillère en métal et en rabaisant le devant.

## Ampoules électriques

### ⚠ MISE EN GARDE

Pour éviter tout risque d'électrocution pouvant causer des blessures graves, voire mortelles, débrancher le courant du réfrigérateur avant de remplacer l'ampoule. Après avoir remplacé l'ampoule, brancher de nouveau le courant.

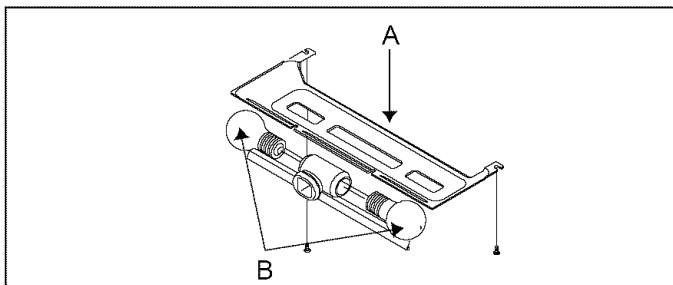
### ⚠ Attention

Pour éviter toutes blessures corporelles ou tous dégâts matériels, veuillez observer les consignes suivantes :

- Laisser l'ampoule refroidir.
- Porter des gants durant le remplacement de l'ampoule électrique.

#### Partie supérieure du compartiment Fresh Food

- Retirer le couvre-ampoule en enlevant les écrous hexagonaux de 1/4 po. Remplacer l'ampoule par une autre de 40 watts conçue pour les appareils électroménagers.
- Remettre le couvre-ampoule en place en revissant les écrous hexagonaux de 1/4 po.

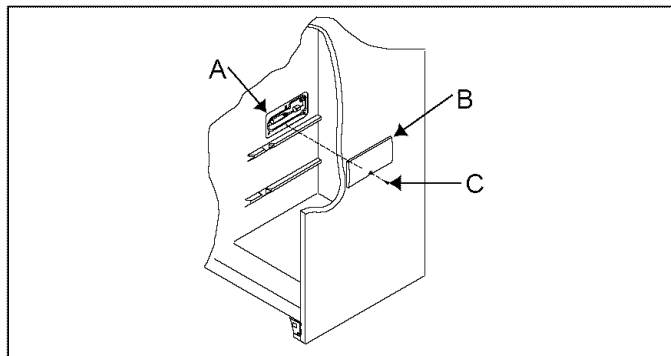


A. Couvre-ampoule B. Ampoules électriques

#### Partie inférieure du compartiment Fresh Food (certains modèles)

- Retirer le couvre-ampoule en enlevant la vis. Remplacer l'ampoule par une autre de type tubulaire de 40 watts.

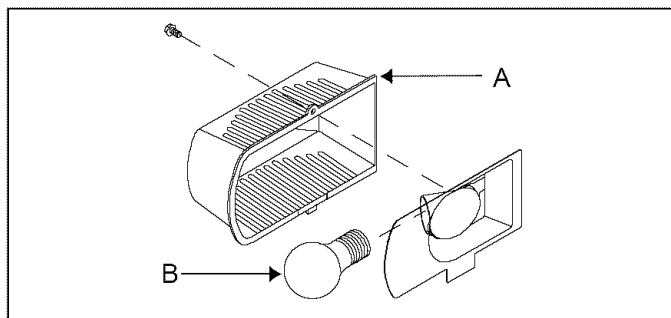
- Remettre le couvre-ampoule en l'installant par-dessus l'ampoule. Insérer une vis.



A. Ampoule électrique B. Couvre-ampoule C. Vis

#### Compartiment Deepfreeze®

1. Enlever le bac à glace. Pour cela, le soulever et le tirer vers l'avant.
2. Retirer le couvre-ampoule en enlevant la vis. Remplacer l'ampoule par une autre de 40 watts.
3. Remettre le couvre-ampoule en le tenant en place au-dessus de l'ampoule. Insérer une vis.
4. Pour replacer le bac à glace, le faire glisser à l'intérieur jusqu'à ce qu'il soit bien en place.

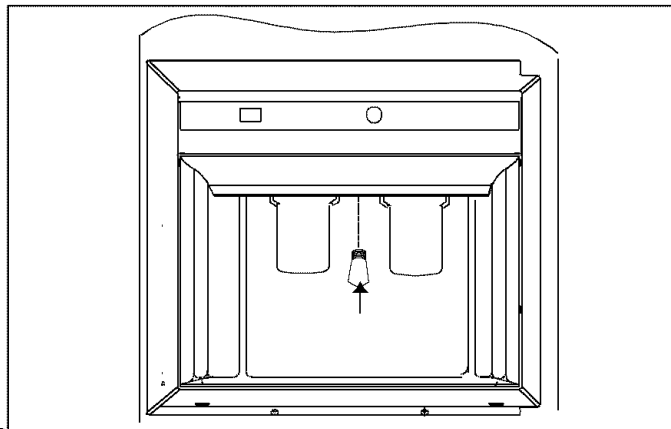


A. Couvre-ampoule B. Ampoule électrique

#### Distributeur Ice 'N' Water™ (certains modèles)

L'ampoule se trouve entre les bras du distributeur.

- La dévisser et remplacer par une ampoule de 6 W et 120 V.
- Pour remplacer l'ampoule, insérer et serrer la nouvelle ampoule.



# Bruits de fonctionnement normaux

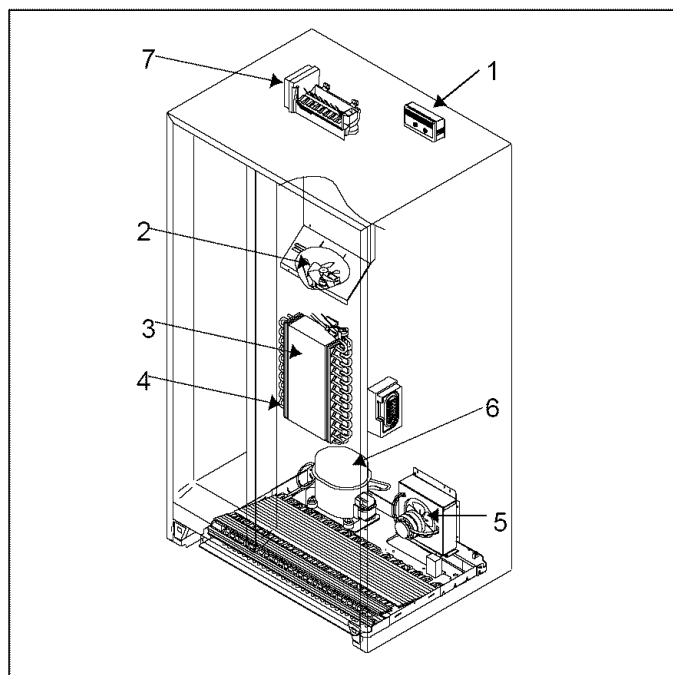
Ce nouveau réfrigérateur remplace probablement un réfrigérateur conçu de façon différente, plus petit ou moins efficace. Les réfrigérateurs modernes possèdent de nouvelles caractéristiques et utilisent l'énergie de façon plus efficace. Par conséquent, certains bruits ne seront pas familiers mais le deviendront bientôt car ils sont normaux. Ces bruits indiquent également que le réfrigérateur fonctionne bien et offre le rendement attendu.

1. **La commande Deepfreeze®** émet un déclic lorsque le compresseur se met en marche ou s'arrête.
2. **Le ventilateur Deepfreeze®** ronronne ou propulse l'air.
3. Le flux de réfrigérant du **système hermétique** (évaporateur et échangeur de chaleur) gargouille, éclate ou émet le son de l'eau qui bout.
4. **Le dégivreur** grésille, siffle ou éclate.
5. **Le ventilateur du condensateur** ronronne ou propulse l'air.
6. **Le compresseur** émet un son aigu ou un vrombissement.
7. **Les glaçons** fabriqués par l'appareil à glaçons (sur certains modèles) tombent dans le seau à glace.

**Le broyeur à glaçons** (sur les modèles comprenant un distributeur Ice 'N' Water™) émet un vrombissement lorsqu'il agite la glace pendant la distribution. Il est situé dans la porte du compartiment congélateur.

**Le raccord de la soupape d'eau de l'appareil à glaçons** (sur certains modèles) bourdonne lorsque l'appareil à glaçons se remplit d'eau. Cela se produit que le réfrigérateur soit branché ou non à l'alimentation en eau. S'il n'est pas branché, le bruit s'arrêtera lorsque le bras de l'appareil à glaçons est soulevé en position arrêt. Le raccord de la soupape d'eau est situé à l'arrière, dans le coin inférieur gauche.

L'isolant mousse permet d'économiser une grande quantité d'énergie et possède d'excellentes qualités isolantes. Cependant, il n'est pas aussi capable d'amortir le bruit que l'isolant en fibre de verre utilisé auparavant.



## Avant d'appeler le technicien

Le réfrigérateur ne fonctionne pas.

- S'assurer que la commande Deepfreeze® est en position « on » (marche).
- S'assurer que le réfrigérateur est branché.
- Vérifier le fusible ou le disjoncteur. Brancher un autre appareil dans la prise de courant.
- Attendre 40 minutes pour vérifier si le réfrigérateur se remet en marche. Si la commande Deepfreeze® est en marche, et que les lumières fonctionnent, mais que les 2 ventilateurs et le compresseur ne fonctionnent pas, le réfrigérateur est probablement en cycle de dégivrage.

Le réfrigérateur ne fonctionne toujours pas.

- Débrancher le réfrigérateur. Transférer la nourriture dans un autre réfrigérateur ou verser de la neige carbonique dans le compartiment Deepfreeze® pour conserver les aliments. **La garantie ne couvre pas la perte de nourriture.** Consulter le certificat de garantie pour connaître la couverture applicable.
- Appeler le **1-800-628-5782** à partir des États-Unis et le **1-319-622-5511** à l'extérieur des États-Unis pour connaître le technicien agréé par Amana le plus proche.

La température de la nourriture semble trop élevée.

- Voir les sections précédentes.
- Laisser la nourriture récemment placée dans le réfrigérateur atteindre la température des compartiments Fresh Food ou Deepfreeze®.
- Vérifier si les joints sont hermétiques.

- 
- Nettoyer les bobines de condensateur.
  - Régler la commande Fresh Food et ou Deepfreeze®.
  - S'assurer que la grille d'aération arrière n'est pas bloquée. Celle-ci est située à gauche derrière le bac à légumes.

La température du système Chiller Fresh™ est trop chaude.

- Régler la commande sur une position plus froide.
- Régler la commande Deepfreeze® sur une position plus froide.

La température de la nourriture est trop froide.

- Nettoyer les bobines du condensateur.
- Régler la commande Fresh Food.
- Régler la commande Deepfreeze® sur une température plus chaude. Attendre plusieurs heures afin que la température atteigne le niveau désiré.

Le réfrigérateur fonctionne trop souvent.

- Cela peut être normal afin de maintenir une température constante.
- Les portes ont peut-être été ouvertes trop fréquemment ou durant une période de temps prolongée.
- Laisser la nourriture récemment placée dans le réfrigérateur atteindre la température des compartiments Fresh Food ou Deepfreeze.
- Nettoyer les bobines de condensateur.
- Régler la commande Deepfreeze®.
- Vérifier si les joints sont hermétiques.

Des gouttelettes d'eau se forment à l'intérieur du réfrigérateur.

- Cela est normal durant les périodes d'humidité intense ou si les portes ont été ouvertes fréquemment.

Des gouttelettes d'eau se forment à l'extérieur du réfrigérateur.

- Vérifier si les joints de la porte sont fermés hermétiquement.

Les bacs à légumes Garden Fresh™ ou le système Chiller Fresh™ ne se ferment pas facilement.

- Vérifier si un emballage empêche le tiroir de fermer correctement.
- S'assurer que le tiroir est en place.
- Nettoyer les cannelures du tiroir avec de l'eau tiède savonneuse. Rincer et sécher à fond.
- Appliquer une mince couche de gelée de pétrole dans les cannelures du tiroir.
- S'assurer que le réfrigérateur est de niveau.

Une odeur persiste dans le réfrigérateur.

- Voir les instructions "Suppression des odeurs" dans la section "Entretien et nettoyage".

Le réfrigérateur ou l'appareil à glaçons émet des sons peu familiers ou trop bruyants.

- Cela peut être normal. Voir la section "Bruits de fonctionnement normaux".

L'appareil à glaçons ne fabrique pas de glaçons.

- S'assurer que le bras de l'appareil à glaçons est tourné vers le bas.
- S'assurer que l'alimentation en eau domestique atteint la soupape d'eau.
- S'assurer que le faisceau de l'appareil à glaçons est complètement inséré dans les trous appropriés.
- Vérifier si le tuyau de plastique ou de cuivre comporte des entortillements. Les défaire ou remplacer le tuyau.
- Examiner les raccords électriques de la bobine de soupape d'eau et du bloc de raccordement sur le meuble du réfrigérateur.
- S'assurer que la section Deepfreeze fonctionne à la température appropriée.

Les glaçons dégagent une odeur.

- Voir les instructions "Suppression des odeurs" dans la section "Nettoyage et entretien".
- Jeter les glaçons et nettoyer le seau à glace ou les bacs à glaçons plus fréquemment. Les glaçons sont poreux et absorbent les odeurs facilement.

Les glaçons collent les uns aux autres ou "rétrécissent".

- Vider le seau à glace ou les bacs à glaçons plus fréquemment. Si on les laisse trop longtemps dans le congélateur, les glaçons collent les uns aux autres ou rétrécissent.

De la glace se forme dans le tuyau d'entrée de l'appareil à glaçons.

- Vérifier la pression d'eau. Une pression d'eau trop faible cause des fuites dans la soupape. Les soupapes autotaraudeuses font diminuer la pression d'eau. **Amana recommande l'usage d'un tuyau en cuivre pour raccorder la tuyauterie domestique au réfrigérateur. Ne pas utiliser de soupape autotaraudeuse. Amana n'est pas responsable des dommages matériels causés par une installation inadéquate ou un accordement d'eau défaillant.**

# Programme d'entretien Asure™

---

Amana est heureuse de vous offrir un programme d'entretien à long terme pour ce nouveau réfrigérateur. Ce programme Asure™ est spécialement conçu pour compléter l'excellente garantie d'Amana. Asure™ offre une couverture financière en cas de défaillance du réfrigérateur et comprend les pièces, la main-d'oeuvre et les frais de déplacement. Consulter un détaillant pour obtenir de plus amples renseignements ou appeler le service Asure™ au 1-800-528-2682.

## Conseils pour économiser l'énergie

---

Cet appareil est conçu pour être l'un des réfrigérateurs les plus économiques en matière d'énergie sur le marché actuel. La mise en pratique des conseils suivants permet de réduire la consommation d'énergie.

- Faire fonctionner à la température ambiante normale se situant entre 55 et 110 °F (13 à 43 °C) loin des sources de chaleur et du soleil.
- Ne pas régler les commandes des systèmes Fresh Food, Deepfreeze v4,22 et Chiller Fresh™ sur une température plus froide que nécessaire.
- Garder le compartiment Deepfreeze® toujours plein.
- Garder les joints de porte propres et flexibles. Remplacer les joints usés.
- Garder les bobines de condensateur propres.

## Conseils pour les vacances

---

Procéder de la façon suivante avant de partir en vacances pour une courte durée.

1. Enlever les aliments périssables. **La garantie ne couvre pas la perte de nourriture.** Consulter le certificat de garantie pour connaître la couverture applicable.
2. Si un appareil à glaçons est installé, placer le bras de l'appareil à glaçons vers le haut en position arrêt.

Procéder de la façon suivante avant de partir en vacances pour une longue durée.

1. Vider les compartiments Fresh Food et Deepfreeze®.
2. Débrancher le réfrigérateur.
3. Nettoyer le réfrigérateur et les joints de porte conformément aux instructions générales énoncées dans la section "Entretien et nettoyage".
4. Laisser les portes ouvertes afin que l'air circule librement à l'intérieur.
5. Si un appareil à glaçons est installé, fermer l'alimentation en eau du réfrigérateur et déplacer le bras de l'appareil à glaçons vers le haut en position arrêt.

# Garantie (modèles électroniques)

**Garantie complète d'un an Garantie complète de cinq ans sur les composants du système hermétique et sur l'habillage du compartiment pour la nourriture**

**Garantie limitée de cinq ans sur les composants des commandes électroniques**

**Garantie limitée de dix ans sur les composants du système hermétique**

## Première année

Amana réparera ou remplacera, sans aucun frais, toute pièce s'avérant défectueuse en raison des matériaux ou de la main-d'oeuvre. Deuxième à cinquième année incluse Amana Refrigeration, Inc. remplacera, sans aucun frais, tout composant du système hermétique (compresseur, condensateur, évaporateur et tuyau d'interconnexion) et réparera tout habillage du compartiment pour la nourriture (à l'exception de l'habillage de la porte) venant à être défectueux en raison des matériaux ou de la main-d'oeuvre.

## Deuxième à cinquième année incluse

Amana fournira, sans aucun frais, une pièce de rechange, f.a.b. Amana, Iowa, pour tout composant de commande du système électronique (plaques de circuits imprimés à haute tension et basse tension, clavier sur les moulures supérieures) venant à être défectueux en raison des matériaux ou de la main-d'oeuvre.

## Sixième à dixième année incluse

Amana fournira, sans aucun frais, une pièce de rechange pour tout composant du système hermétique (compresseur, condensateur, évaporateur et tuyau d'interconnexion) f.a.b. Amana, Iowa, s'avérant défectueux en raison des matériaux ou de la main-d'oeuvre.

## Limites de la garantie

- Commence à la date de l'achat original.
- S'applique à un appareil utilisé aux États-Unis ou au Canada si cet appareil est approuvé par l'Association canadienne de normalisation en quittant l'usine.
- Toute réparation doit être effectuée par un technicien agréé par Amana.

## La garantie est nulle et non avenue si

- La plaque du numéro de série est illisible.
- L'appareil est utilisé à des fins commerciales ou locatives.
- L'appareil est défectueux ou endommagé en raison d'un accident, d'une altération, d'un raccord à une mauvaise alimentation, d'un incendie, d'une inondation, d'un orage, de l'expédition et de la manipulation, ou d'autres circonstances indépendantes de la volonté d'Amana Refrigeration, Inc.
- L'appareil est utilisé ou installé de façon incorrecte.

## Responsabilités du propriétaire

- Fournir une preuve d'achat (récépissé de vente).
- Procéder à l'entretien normal. Remplacer les composants tel qu'indiqué dans le manuel du propriétaire.
- Faciliter l'accès à l'appareil lors des réparations.
- Payer le supplément lorsque le technicien doit procéder à une réparation en dehors des heures d'ouverture normales.
- Payer les frais de visite relativement à l'installation de l'appareil.

## En aucun cas Amana n'est responsable des dommages indirects ou accessoires notamment la perte de nourriture.

\* Cette garantie vous donne des droits légaux spécifiques et vous pourriez bénéficier d'autres droits qui varient selon l'état ou la province où vous demeurez. Par exemple, certains états ou provinces ne permettant pas l'exclusion ou la limitation des dommages indirects ou accessoires, cette exclusion ne s'applique pas forcément à votre cas.

# Garantie (modèles non électroniques)

**Garantie complète d'un an Garantie complète de cinq ans sur les composants du système hermétique et l'habillage du compartiment pour la nourriture**

**Garantie limitée de dix ans sur les composants du système hermétique**

## Première année

Amana réparera ou remplacera, sans aucun frais, toute pièce s'avérant défectueuse en raison des matériaux ou de la main-d'oeuvre.

## Deuxième à cinquième année incluse

Amana remplacera, sans aucun frais, tout composant du système hermétique (compresseur, condensateur, évaporateur et tuyau d'interconnexion) et réparera tout habillage du compartiment pour la nourriture (à l'exception de l'habillage de la porte) venant à être défectueux en raison des matériaux ou de la main-d'oeuvre.

## Sixième à dixième année

Amana fournira, sans aucun frais, une pièce de rechange pour tout composant du système hermétique (compresseur, condensateur, évaporateur et tuyau d'interconnexion) f.a.b. Amana, Iowa, s'avérant défectueux en raison des matériaux ou de la main-d'oeuvre.

## Limites de la garantie

- Commence à la date de l'achat original.
- S'applique à un appareil utilisé aux États-Unis ou au Canada si cet appareil est approuvé par l'Association canadienne de normalisation en quittant l'usine.
- Toute réparation doit être effectuée par un technicien agréé par Amana®.

## La garantie est nulle et non avenue si

- La plaque du numéro de série est illisible.
- L'appareil est utilisé à des fins commerciales ou locatives.
- L'appareil est défectueux ou endommagé en raison d'un accident, d'une altération, d'un raccord à une mauvaise alimentation, d'un incendie, d'une inondation, d'un orage, de l'expédition et de la manipulation, ou d'autres circonstances indépendantes de la volonté d'Amana Refrigeration, Inc.
- L'appareil est utilisé ou installé de façon incorrecte.


## Responsabilités du propriétaire

- Fournir une preuve d'achat (récépissé de vente).
- Procéder à l'entretien normal. Remplacer les composants tel qu'indiqué dans le manuel du propriétaire.
- Faciliter l'accessibilité à l'appareil lors des réparations.
- Payer le supplément lorsque le technicien doit procéder à une réparation en dehors des heures d'ouverture normales.
- Payer les frais de visite relativement à l'installation de l'appareil.

## En aucun cas Amana n'est responsable des dommages indirects ou accessoires notamment la perte de nourriture.

\* Cette garantie vous donne des droits légaux spécifiques et vous pourriez bénéficier d'autres droits qui varient selon l'état ou la province où vous demeurez. Par exemple, certains états ou provinces ne permettant pas l'exclusion ou la limitation des dommages indirects ou accessoires, cette exclusion ne s'applique pas forcément à votre cas.

Requerimientos eléctricos .....	41
Identificación del modelo .....	42
Forma apropiada de desechar su refrigerador .....	42
instalación Instrucción .....	43
Lista de verificación de la instalación .....	46
Controles .....	47
Controles de las secciones Fresh Food y	
Deepfreeze® .....	47
Ajuste de los controles .....	47
Controles electrónicos Touchmatic™	
(en algunos modelos) .....	47
Características de la sección Fresh Food	
Repisas de la sección Fresh Food .....	49
Sistema Chiller Fresh™ (en algunos modelos) .....	49
Cajones para verduras Garden Fresh™ .....	49
Compartimiento para el almacenamiento	
(en algunos modelos) .....	50
Recipiente cubierto para el almacenamiento	
(en algunos modelos) .....	50
Centro para productos lácteos .....	51
(en algunos modelos) .....	51
Enfriador para bocadillos (en algunos modelos) .....	51
Beverage Chiller™ (Enfriador de bebidas) de	
temperatura controlada (en algunos modelos) .....	51
Compartimientos de la puerta .....	52
Repisas de la puerta .....	52
Separador ajustable (en algunos modelos) .....	52
Características del Deepfreeze®	
Máquina automática para hacer hielo .....	53
Rejilla del Deepfreeze® (en algunos modelos) .....	53
Sistema Stor-Mor® .....	53
Diques de la puerta (en algunos modelos) .....	54
Dispositivo de retención para paquetes altos	
(en algunos modelos) .....	54
Surtidor de agua y hielo	
Ice 'N' Water™ (en algunos modelos) .....	54
Funcionamiento del surtidor de agua .....	54
Funcionamiento del surtidor de hielo .....	55
Cómo quitar el recipiente para hielo .....	55
Luz del surtidor (en algunos modelos) .....	55
Sabor y olor del agua .....	55
Cuidado y limpieza .....	56
Generalidades .....	56
Eliminación de olores .....	56
Adhesivos .....	56
Empaques de la puerta .....	56
Serpentines del condensador .....	56
Repisas de vidrio .....	57
Focos .....	57
Ruidos del funcionamiento normal .....	59
Antes de llamar para solicitar servicio .....	59
Plan de servicio Asure™ .....	61
Sugerencias para conservar la energía .....	61
Sugerencias para las vacaciones .....	61
Garantía (Modelos electrónicos) .....	62
Garantía (Modelos que no son electrónicos) .....	62

 **Reconozca este símbolo como precaución de seguridad.**

 **ADVERTENCIA**

Para evitar choques eléctricos que podrían causar lesiones personales graves o la muerte, el refrigerador debe estar conectado a tierra.

Instrucciones para conexión a tierra - Este refrigerador viene equipado con un enchufe de tres puntas (para conexión a tierra) para proveer protección contra posible riesgos de choques eléctricos. Si el tomacorrientes de pared tiene sólo dos orificios, pida a un electricista experto que reemplace este tomacorrientes de pared de dos orificios por otro de tres orificios correctamente conectado a tierra, de conformidad con el Código Eléctrico Nacional de los EE.UU.

Este refrigerador ha sido diseñado para funcionar conectado a una línea separada de 103 a 126 voltios, 15 amperios y 60 ciclos.

**No corte ni elimine, bajo ninguna circunstancia, la punta redonda de conexión a tierra del enchufe. El refrigerador debe estar conectado a tierra en todo momento. No quite el rótulo de advertencia del cordón eléctrico.**

 **ADVERTENCIA**

**No utilice un adaptador de dos puntas. No utilice un cable de extensión.**

## Identificación del modelo

Gracias por haber comprado este refrigerador Amana®. Por favor lea todo el Manual del propietario. Este manual proporciona información sobre el mantenimiento adecuado. Si tiene alguna pregunta, sírvase llamar al Departamento de asuntos del consumidor al **1-800-843-0304** dentro de los EE.UU. y al **1-319-622-5511** fuera de los EE.UU.

**Llene la tarjeta de registro** y envíela lo más pronto posible. Si el refrigerador no incluye una tarjeta de registro, llame al Departamento de asuntos del consumidor.

Cuando se comunique con Amana, proporcione la información del producto. Esta información se encuentra en la placa del número de serie, ubicada en la esquina izquierda superior del techo de la sección Fresh Food. Anote la siguiente información:

Número de modelo: \_\_\_\_\_  
Número de fabricación: \_\_\_\_\_  
Número de serie (S/N): \_\_\_\_\_  
Fecha de adquisición: \_\_\_\_\_  
Nombre y dirección del distribuidor: \_\_\_\_\_

**Guarde una copia del recibo** para referencia en el futuro.

Amana cuenta con una red de técnicos autorizados, independientes. Para localizar un Centro de servicio de fábrica o un técnico de Amana autorizado independiente llame al **1-800-628-5782** dentro de los EE.UU. y al **1-319-622-5511** fuera de los EE.UU. El servicio bajo la garantía debe realizarlo un técnico de Amana **autorizado**. Amana también recomienda que se ponga en contacto con un técnico de Amana **autorizado** si se necesita servicio después de haberse vencido la garantía.

Amana ofrece una línea completa de electrodomésticos: parrillas, lavaplatos automáticos, secadoras, congeladores, hornos de microondas, hornillos, hornos de pared y lavadoras automáticas. Amana también fabrica una selección completa de calentadores de gas de alta eficiencia y unidades de aire acondicionado central e individual.

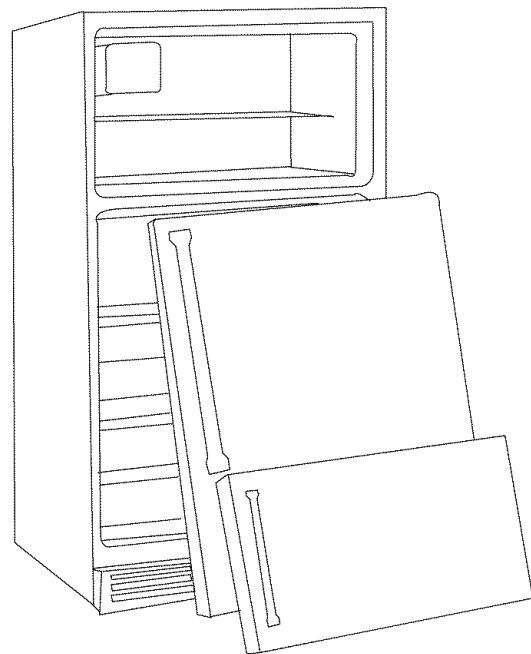
Disfrute de su nuevo refrigerador Amana®.

## Forma apropiada de desechar su refrigerador

**IMPORTANTE:** Los niños atrapados y asfixiados en refrigeradores no es cosa del pasado. Los refrigeradores que se arrumban o abandonan, aun cuando sea por "solo unos cuantos días", continúan siendo un peligro. Si desecha un refrigerador viejo, sírvase seguir las siguientes instrucciones para ayudar a prevenir un accidente.

### ANTES DE TIRAR SU REFRIGERADOR O CONGELADOR VIEJO:

- **Quítele las puertas**
- **Déjele las repisas puestas para que los niños no puedan meterse fácilmente.**



# instalación Instrucción

La instalación correcta del refrigerador asegurará el funcionamiento más eficiente. Amana® no se puede hacer responsable de una instalación incorrecta.

## 1. Quite las puertas si es necesario.

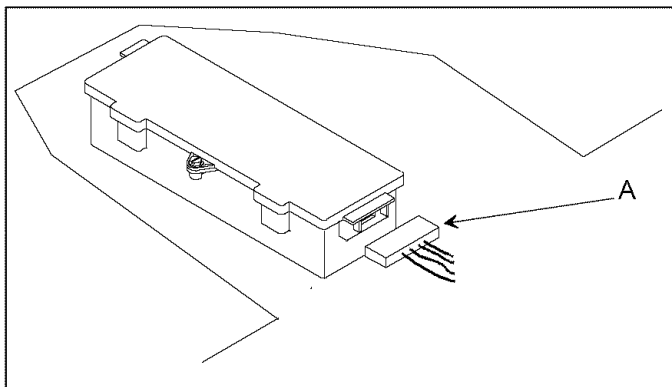
### **ADVERTENCIA**

Para evitar choques eléctricos que podrían causar lesiones personales graves o la muerte, desconecte el suministro eléctrico al refrigerador antes de quitar las puertas. Después de colocar las puertas, vuelva a conectar el suministro eléctrico.

a. Quite la rejilla inferior superior.

#### b. Modelos electrónicos

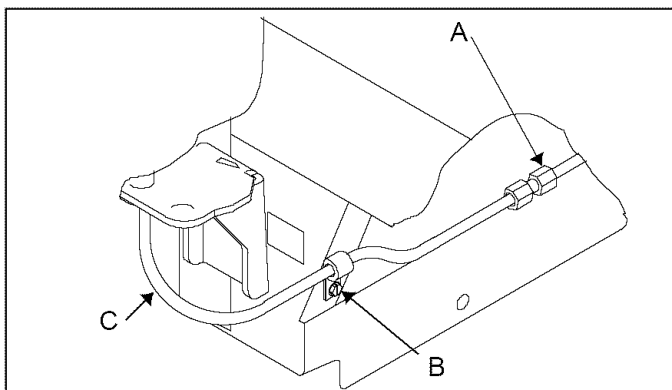
Desconecte el cableado preformado de la caja de voltaje.



A. Cableado preformado

#### c. Modelos surtidores

Afloje el tornillo de la abrazadera del tubo del agua. Afloje la tuerca de unión del tubo de plástico del agua. Separe el tubo del agua de la tuerca de unión y a través de la abrazadera del tubo.



A. Tuerca de unión del tubo de plástico del agua  
B. Tornillo de la abrazadera del tubo del agua  
C. Tubo del agua

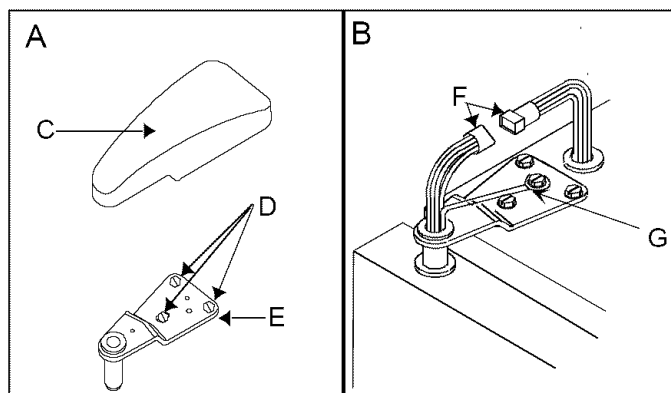
d. Quite las cubiertas de la bisagra superior. (A abajo)

### **ADVERTENCIA**

Para evitar choques eléctricos que podrían causar lesiones personales graves o la muerte, el cable a tierra verde debe permanecer unido a la bisagra.

#### e. Modelos electrónicos y surtidores

Desconecte los conectores del cable de la bisagra superior. Levante y quite cuidadosamente las bisagras superiores. No altere la posición de las cuñas de las bisagras.



C Cubierta de la bisagra  
D Tornillo de la bisagra de la puerta  
E Bisagra superior  
F Conectores del cable  
G Tierra alambre

f. Quite las puertas.

### **Precaución**

Cuando mueva el refrigerador, proteja los pisos delicados de vinilo o de otra clase con cartones, tapetes u otros materiales de protección para evitar daños a la propiedad.

g. Deslice el diablo por debajo de un lado del refrigerador. Envuelva el refrigerador con una cobija o colcha. Amarre el refrigerador al diablo con la correa y apriételo. No apriete demasiado la correa. Coloque el refrigerador en frente de la ubicación final.

h. Vuelva a colocar las puertas repitiendo los pasos de la «a» a la «f» en orden inverso. Utilice una moneda en la parte superior para separar las puertas  $\frac{3}{4}$  de pulgada (18 mm) del gabinete.

## 2. Conexión del suministro de agua

### ADVERTENCIA

Desconecte el suministro eléctrico al refrigerador antes de conectar el suministro de agua para evitar choques eléctricos que podrían causar lesiones graves o la muerte. Después de conectar el suministro de agua vuelva a conectar el suministro eléctrico.

### Precaución

Para evitar daños a la propiedad, lleve a cabo lo siguiente:

- Verifique que la presión del agua a la válvula del agua sea entre 20 y 100 libras por pulgada cuadrada.
- Apriete la tuerca con la mano para evitar que se enrosquen mal. Termine apretándolas con una llave ajustable. No apriete demasiado.
- Compruebe que no haya fugas de agua y arrégleselas si es necesario antes de volver a colocar el refrigerador en su ubicación normal. 24 horas después de la conexión vuelva a revisar para asegurarse de que no haya fugas de agua.

### Importante

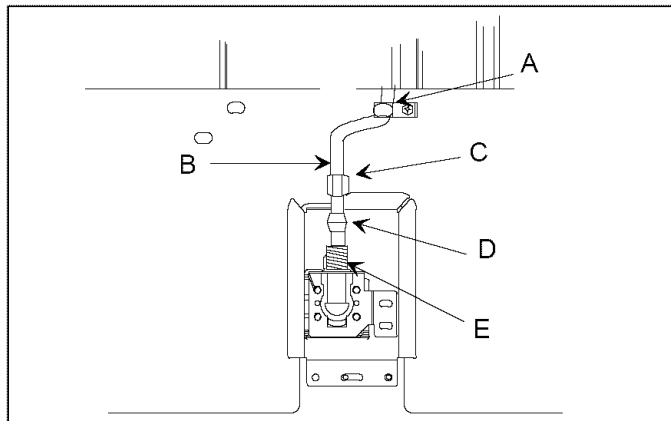
- Antes de conectar el suministro de agua, comuníquese con un plomero para que conecte la tubería de cobre a la plomería de la casa en conformidad con los códigos y reglamentos locales.
- No está recomendado el uso de  $\frac{3}{16}$ " (5mm) valvula silla o que punza. Ambas reducen el flujo de agua, con el tiempo se obstruyen y además pueden causar goteras si trata de repararlas. El tipo correcto de válvula de cierre requiere que se haga un orificio de  $\frac{1}{4}$ " (6 mm) en la tubería del suministro de agua antes de conectar la válvula. El fabricante no es responsable de propiedad dañado que es causado de conexiones de agua impropios.

### Matériel nécessaire

- Se requiere tubería de cobre flexible de  $\frac{1}{4}$ " (6 mm) en la tubería de cobre debe alcanzar desde la conexión del suministro de agua hasta la lumbrera de entrada de la válvula de agua en la parte trasera del refrigerador, además se necesitan 8 opies (2m) adicionales de tubería para un lazo de servicio.

### Procédure

1. Quite la tapa de plástico de la conexión de entrada de la válvula de agua. Coloque la tuerca y la manga de bronce en la tubería de cobre. (La tuerca y la manga de bronce se encuentran en el paquete de información.) Introduzca la tubería de cobre en la conexión de entrada de la válvula de agua. Conecte la tuerca de bronce en la tubería de cobre en la conexión de entrada de la válvula de agua. Compruebe que la tubería de cobre esté bien segura tirando de ella ligeramente.



- A. Abrazadera en "P"
- B. Tubo de cobre
- C. Tuerca de latón
- D. Manguito de latón
- E. Conexión de entrada de la válvula de agua

2. Abra el suministro de agua que va al refrigerador y revise posibles goteras. Repare las goteras cuando lo conecte. Tenga cuidado de no apretar demasiado la conexión.
3. Haga un lazo de servicio con extremado cuidado para evitar dobleces. Asegure la tubería de cobre al gabinete del refrigerador con una abrazadera "P".

### 3. Enchufe el cordón eléctrico.

---

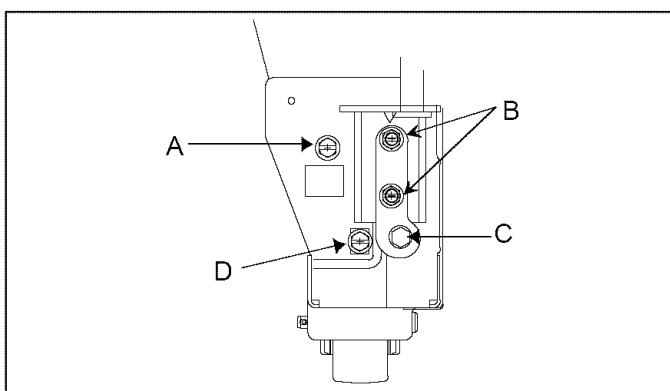
**4. Coloque el refrigerador en la ubicación final.**

**5. Nivele el refrigerador y alinee las puertas.**

- a. Quite la rejilla inferior
- b. Gire los tornillos de ajuste de las ruedecillas para elevar o bajar el gabinete del refrigerador hasta que el refrigerador quede firme sobre el piso. Algunos modelos vienen con ruedecillas delanteras y traseras.

**c. Modelos con leva de ajuste en la bisagra**

Si la parte superior de las puertas no queda alineada después de haber nivelado el refrigerador, afloje media vuelta los tornillos de la bisagra de la puerta. Gire la leva en sentido de las manecillas del reloj, un incremento a la vez hasta que las puertas queden alineadas. Abra y cierre las puertas. Apriete los tornillos de la bisagra.



- A. Tornillo de ajuste de la ruedecilla trasera (en algunos modelos)
- B. Frente ruedecillas ajuste tornillos
- C. Leva de ajuste en la bisagra (en algunos modelos)
- D. Tornillo de ajuste de la ruedecilla delantera

**6. Revise con el consumidor la «Lista de verificación de la instalación» en el Manual del propietario.**

# Lista de verificación de la instalación

---

Esta lista de verificación sirve para llevar un registro personal exclusivamente.

**Consumidor    Instalador**

                       **Puertas**  
Las puertas están alineadas entre sí. (Después de haber colocado productos en el refrigerador, el consumidor debería revisar la alineación de las puertas).

                       Las puertas se sellan completamente al gabinete del refrigerador.

                       Los tiradores están firmemente fijados a las puertas.

                       **Modelos electrónicos con Touchmatic™ y con surtidor de agua y hielo Ice 'N' Water™**  
Si se quitaron las puertas para instalar el refrigerador, los conectores del cable de la bisagra superior se deben volver a conectar.

                       **Nivelación**  
El refrigerador está bien colocado sobre el piso.

                       La rejilla inferior está unida correctamente al refrigerador.

                       **Máquina para hacer hielo**  
La línea de suministro de agua al refrigerador está abierta.

                       No hay goteras en la conexión entre la línea de suministro de la casa y el refrigerador. (24 horas más tarde el consumidor debería revisar la conexión para ver si hay goteras).

                       El brazo de la máquina para hacer hielo está en la posición activada para producir hielo. (La producción del primer lote de hielo puede tardar hasta 24 horas).

                       **Documentación del producto**  
El manual del propietario ha sido revisado e incluye la siguiente información:

- tarjeta de registro del producto
- controles de las secciones Fresh Food y Deepfreeze®
- sistema Chiller Fresh™
- cajones para verduras Garden Fresh™
- ruidos del funcionamiento normal

Notas

---

---

---

---

\_\_\_\_\_  
Firma del consumidor

\_\_\_\_\_  
Firma del instalador

\_\_\_\_\_  
Nombre/Número de teléfono de  
la compañía instaladora

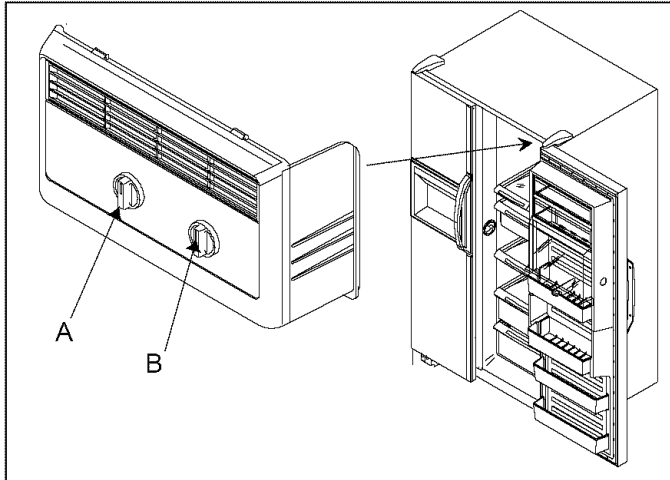
\_\_\_\_\_  
Fecha

# Controles

Este refrigerador está diseñado para funcionar a temperaturas normales de casa, entre 55° y 110°F (13° y 43°C).

## Controles de las secciones Fresh Food y Deepfreeze®

Los controles de la sección Fresh Food y Deepfreeze® están ubicados en la parte superior de la pared trasera de la sección Fresh Food®.



- A. Control del Deepfreeze®
- B. Control de la sección Fresh Food

Cuando el control del Deepfreeze® está en la posición *desactivada* (off), ni la sección Fresh Food ni el Deepfreeze® enfriarán. Inicialmente fije ambos controles en 4. Espere 24 horas hasta que las secciones Fresh Food y Deepfreeze® alcancen las temperaturas deseadas. Después de 24 horas, ajuste los controles, un solo número a la vez, según se desee. El 1 es el menos frío y el 7 el más frío.

## Ajuste de los controles

Ajuste los controles utilizando un termómetro común que abarque temperaturas entre -5° y 50°F (-21° y 10°C).

Coloque el termómetro ceñidamente entre paquetes congelados en la sección Deepfreeze® y espere de 5 a 8 horas. Si la temperatura

de la sección Deepfreeze® no se encuentra entre 0° y 20°F (-17° y -16°C), ajuste el control, un solo número a la vez. Compruebe nuevamente después de 5 a 8 horas.

Coloque el termómetro en un vaso de agua en medio de la sección Fresh Food y espere de 5 a 8 horas. Si la temperatura de la sección Fresh Food no se encuentra entre 38° y 40°F (3° y 4°C), ajuste el control, un solo número a la vez. Compruebe nuevamente después de 5 a 8 horas.

## Controles electrónicos Touchmatic™

(en algunos modelos)

El interruptor de alimentación está ubicado en el lado derecho de la caja negra en el centro del gabinete detrás de la rejilla inferior. Encienda el interruptor de alimentación antes de programar los controles.

Los controles electrónicos Touchmatic™ están ubicados en el refrigerador entre los tiradores de la puerta. Presione el botón \* para activar el panel de control. Todos los demás botones, salvo el botón *ALARM OFF* (*ALARMA DESACTIVADA*) permanecerá inactivo hasta que se presione el botón \*. Una vez que se activan los botones, éstos permanecerán programados por lo menos 10 minutos.

Los controles de la sección Fresh Food y del Deepfreeze® han sido prefijados en 5. Espere 24 horas después de haber conectado el suministro eléctrico para que las secciones Fresh Food y Deepfreeze® alcancen las temperaturas deseadas. Después de 24 horas, ajuste los controles según se desee. El 1 es el menos frío y el 9 el más frío. Consultar la sección «Ajuste de los controles» para ajustar los controles con precisión.

- Ajuste las temperaturas de la sección Fresh Food o del Deepfreeze® presionando el botón \* y luego el botón *REFRIG TEMP* (*TEMPERATURA DEL REFRIGERADOR*) o el botón *FREEZER TEMP* (*TEMPERATURA DEL CONGELADOR*). Presione el botón *WARMER* (*MENOS FRIO*) o el botón *COLDER* (*MAS FRIO*) para fijar el ajuste de temperatura un nivel a la vez. El continuar presionando el botón *WARMER* (*MENOS FRIO*) o el botón *COLDER* (*MAS FRIO*) ajusta la temperatura más de un nivel a la vez.

## Tono de acceso

El tono de acceso indica que se ha presionado un botón y que el comando ha sido leído y aceptado.

- Desactive el tono de acceso presionando y manteniendo presionado el botón \* de 3 a 5 segundos. Tres pitidos cortos indican que las instrucciones fueron aceptadas.
- Active el tono de acceso presionando y manteniendo presionado el botón \* de 3 a 5 segundos.

## Modo vacaciones (Vacation Mode)

El modo vacaciones descongela el refrigerador con menos frecuencia durante los períodos prolongados que no se usa.

- Active el modo vacaciones presionando el botón \* luego el botón *VACATION* (*VACACIONES*). Se encenderá la luz indicadora.
- Desactive el modo vacaciones presionando el botón \* luego el botón *VACATION* (*VACACIONES*). El abrir la puerta de la sección Fresh Food o del Deepfreeze® también desactivará el modo vacaciones.

### Modo frío máximo (Max Cool Mode)

El modo frío máximo ajusta la temperatura de la sección Fresh Food al ajuste más frío. Después de 10 horas, la temperatura de la sección Fresh Food regresará automáticamente al ajuste previo.

- Active el modo frío máximo presionando el botón \* luego el botón *MAX COOL (FRIO MAXIMO)*. Se encenderá la luz indicadora.
- Desactive el modo frío máximo antes de que se repositone automáticamente presionando el botón \* luego el botón *MAX COOL (FRIO MAXIMO)*.

### Modo congelación rápida (Fast Freeze Mode)

El modo congelación rápida ajusta la temperatura del Deepfreeze® al ajuste más frío. Después de 24 horas, la temperatura del Deepfreeze® regresará automáticamente al ajuste previo.

- Active el modo congelación rápida presionando el botón \* luego el botón *FAST FREEZE (CONGELACION RAPIDA)*. Se encenderá la luz indicadora.
- Desactive el modo frío máximo antes de que se repositone automáticamente presionando el botón \* luego el botón *FAST FREEZE (CONGELACION RAPIDA)*.

### Alarma puerta abierta (Door Open Alarm)

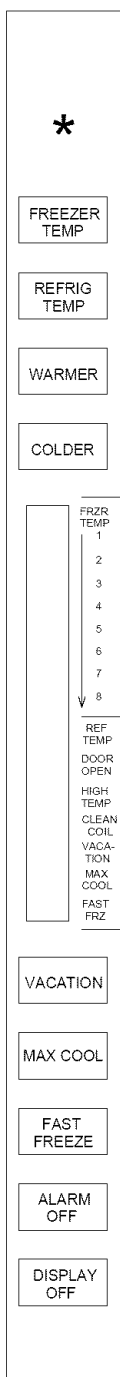
La alarma puerta abierta suena y la luz indicadora parpadea si alguna de las dos puertas permanece abierta por más de 3 minutos.

- Desactive la alarma puerta abierta presionando el botón *ALARM OFF (ALARMA DESACTIVADA)* o cerrando cualquiera de las dos puertas.
- Active la alarma puerta abierta presionando el botón \* y luego mantenga presionado el botón *ALARM OFF (ALARMA DESACTIVADA)* de 3 a 5 segundos. Tres pitidos cortos indican que las instrucciones fueron aceptadas.

### Alarma temperatura alta (High Temperature Alarm)

Si la temperatura de la sección Fresh Food o del Deepfreeze® permanece alta durante 2 horas, sonará la alarma temperatura alta y la luz indicadora se encenderá. Una luz parpadeante señalará el compartimiento afectado. La alarma dejará de sonar cuando se alcance la temperatura correcta.

- Desactive la alarma temperatura alta presionando el botón *ALARM OFF (ALARMA DESACTIVADA)*.



### Alarma termistor (Thermistor Alarm)

El termistor detecta electrónicamente las temperaturas de las secciones Fresh Food y Deepfreeze®. Si el termistor de las secciones Fresh Food y Deepfreeze® no está funcionando correctamente, la alarma termistor sonará y las luces indicadoras se encenderán en sucesión.

- Desactive la pantalla presionando el botón *ALARM OFF (ALARMA DESACTIVADA)*.

**Si suena la alarma termistor, comuníquese inmediatamente con un técnico autorizado de Amana®.** Si se presiona el botón *ALARM OFF (ALARMA DESACTIVADA)*, el control del termistor volverá a realizar la prueba para confirmar que se ha arreglado la situación. La alarma sonará de nuevo si el termistor todavía no funciona correctamente.

### Luces indicadoras (Display Lights)

- Desactive las luces indicadoras de temperatura presionando el botón \* luego presione el botón *DISPLAY OFF (PANTALLA DESACTIVADA)*.
- Active las luces indicadoras de temperatura presionando cualquiera de los 5 botones superiores.

### Luz del serpentín del condensador (Clean Condenser Coil Light)

La luz del serpentín del condensador se enciende cada tres meses como un recordatorio de que es tiempo de limpiar los serpentines del condensador. La luz se apaga automáticamente después de 72 horas.

- Desactive la luz del serpentín del condensador antes de que se repositone automáticamente presionando el botón *ALARM OFF (ALARMA DESACTIVADA)*.

## Características de la sección Fresh Food



### Precaución

Para evitar daños a la propiedad, verifique que la repisa esté bien instalada antes de colocar artículos en la misma.

### Repisas de la sección Fresh Food

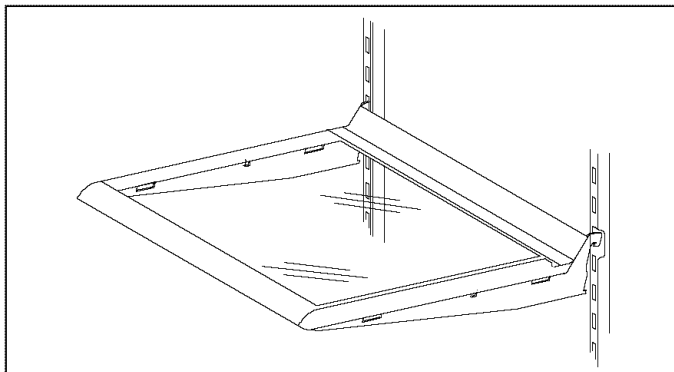
Los modelos vienen con repisas de vidrio o metálicas. Las repisas se ajustan hacia arriba o hacia abajo para satisfacer las necesidades individuales de almacenamiento. Algunos modelos vienen con repisas Spillsaver™. Las repisas Spillsaver™ contienen los derrames menores para facilitar la limpieza.



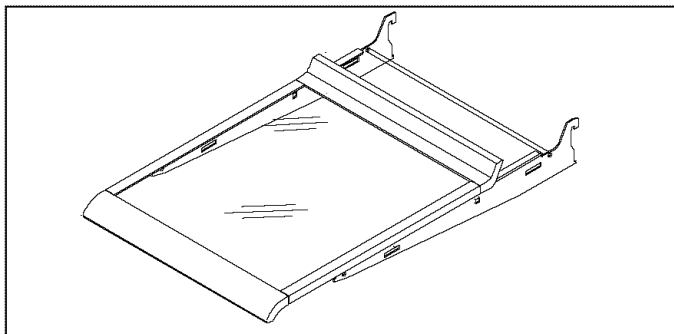
### Precaución

Maneje con cuidado las repisas de vidrio templado para evitar lesiones personales o daños a la propiedad. Las repisas se pueden romper súbitamente si sufren raspaduras, golpes o se exponen a cambios repentinos de temperatura.

- Quite las repisas levantando la parte delantera y liberando los ganchos de la guía metálica.
- Vuelva a colocar las repisas insertando los ganchos en la guía y bajando la parte delantera de las mismas.



Las repisas EasyGlide™ se pueden jalar hacia adelante para sacar más fácilmente los artículos que están atrás.

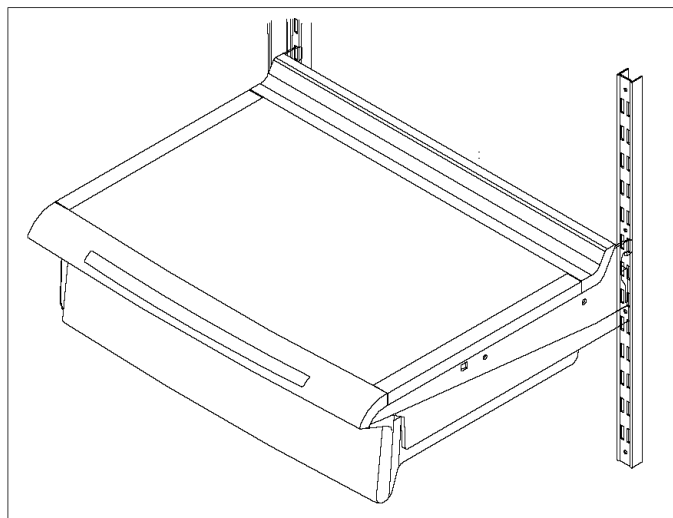


### Sistema Chiller Fresh™ (en algunos modelos)

El sistema Chiller Fresh™ incluye un cajón con rieles dentro de un compartimiento aislante. El aire circula entre el cajón y el compartimiento aislante. Este sistema conserva frescos los alimentos por más tiempo y hasta 5°F (3°C) más fríos que la temperatura de la sección Fresh Food.

El control del Chiller Fresh™ está ubicado debajo del adorno de la repisa delantera. El control ajusta la cantidad de aire que circula alrededor del cajón. Deslice el control hacia *cold (frío)* para la temperatura normal de la sección Fresh Food y hacia *coldest (frío máximo)* para la temperatura más fría. Es posible que se formen cristales de hielo en el cajón o en los alimentos en la posición *coldest (frío máximo)*. El aire frío puede disminuir la temperatura de la sección Fresh Food. Es posible que sea necesario ajustar el control de la sección Fresh Food.

- Saque el cajón levantándolo y jalándolo hacia afuera. Quite la repisa levantando desde la parte delantera y liberando los ganchos de la guía metálica y luego jale hacia afuera.
- Vuelva a colocar la repisa insertando los ganchos en la guía metálica y bajando la parte delantera. Use las ranuras de la 8 a la 11 solamente. Vuelva a colocar el cajón deslizándolo hacia adentro. Cerciórese de que el manguito aislador esté sobre la entrada de aire de la pared lateral.



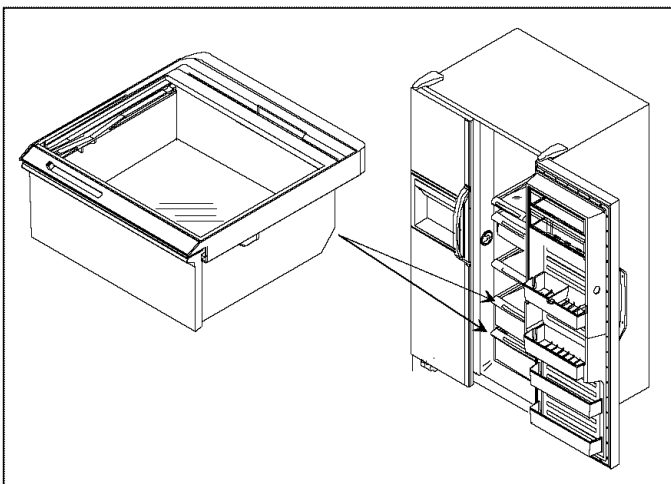
### Cajones para verduras Garden Fresh™

Los cajones para verduras Garden Fresh™ conservan frescas las verduras por más tiempo. Envuelva las verduras muy bien. No lave las verduras antes de colocarlas en los cajones. El exceso de humedad podría causar que se echen a perder prematuramente. No forre los cajones para verduras con toallas de papel. Las toallas de papel retienen la humedad.

El control de los cajones Garden Fresh™ están ubicado debajo del adorno de la repisa delantera. El control ajusta la humedad en los cajones. Deslice el control hacia *high (alta)* para productos que tienen hojas, como la lechuga, las espinacas o el repollo. Deslice el control *low (baja)* para productos que tienen cáscara, como la coliflor, los elotes o los jitomates.

## Precaución

Maneje con cuidado las repisas de vidrio templado para evitar lesiones personales o daños a la propiedad. Las repisas se pueden romper súbitamente si sufren raspaduras, golpes o se exponen a cambios repentinos de temperatura.



Lleve a cabo los siguientes pasos para quitar la repisa y los cajones para verduras.

1. Abra el cajón para verduras.
2. Quite la repisa empujando suavemente hacia arriba desde abajo. Incline un extremo hacia arriba luego jálela.
3. Quite el cajón para verduras levantando la parte delantera mientras lo sostiene por debajo y luego jálelo hacia afuera.
4. Vuelva a colocar los cajones para verduras y la repisa repitiendo los pasos del 1 al 3 en orden inverso.

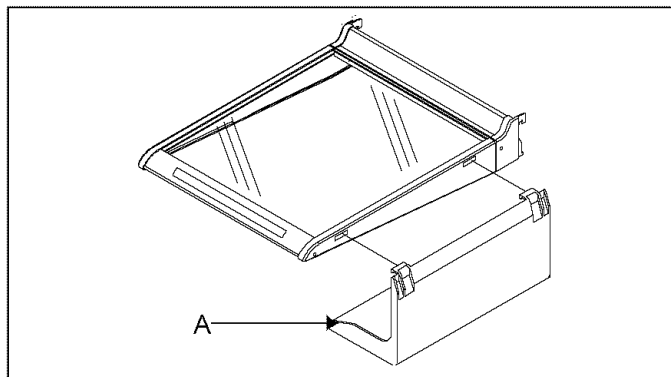
## Compartimiento para el almacenamiento

(en algunos modelos)

El compartimiento para el almacenamiento es un lugar conveniente para guardar artículos tales como botellas grandes, huevos, etc.

Dependiendo de la ubicación de la repisa, cuelgue este compartimiento utilizando uno de los métodos siguientes. El compartimiento no se puede instalar a un lado del foco de la sección inferior Fresh Food.

- Quite la repisa levantando la parte delantera de la misma, libere los ganchos de la guía metálica y luego jale hacia afuera. Cuelgue el compartimiento insertando las pestañas en los orificios que están a un lado de la repisa. Vuelva a colocar la repisa insertando los ganchos en la guía metálica y bajando la parte delantera.
- Deslice el compartimiento a lo largo del lado de la repisa hasta que las pestañas se inserten en los orificios.

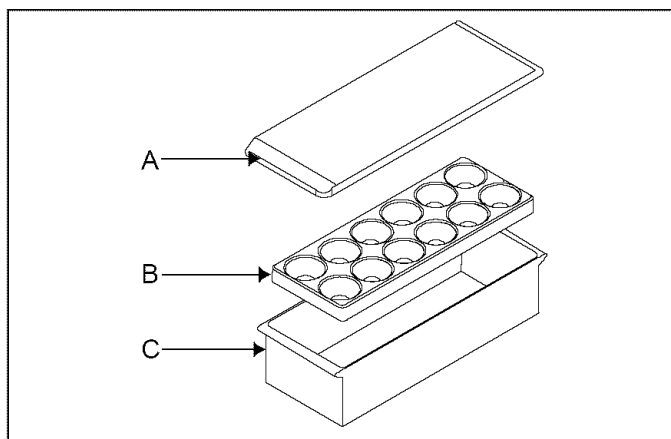


A. Compartimiento para el almacenamiento

## Recipiente cubierto para el almacenamiento

(en algunos modelos)

Este recipiente tiene una tapa y una bandeja desmontable para huevos. Cuando se saca la bandeja, se pueden acomodar artículos tales como cajas regulares de huevos, hielo, etc.

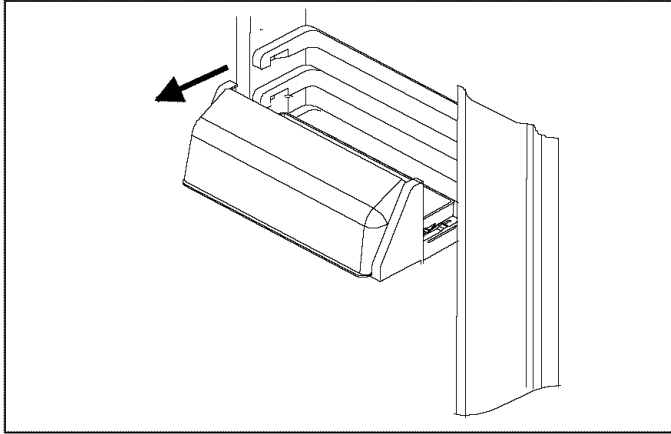


- A. Tapa
- B. Bandeja para huevos
- C. Recipiente para almacenamiento

## Centro para productos lácteos

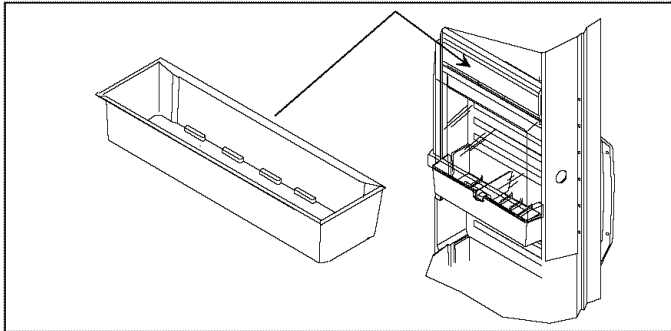
(en algunos modelos)

El centro para productos lácteos es un lugar conveniente para guardar mantequilla, quesos, etc.



## Enfriador para bocadillos (en algunos modelos)

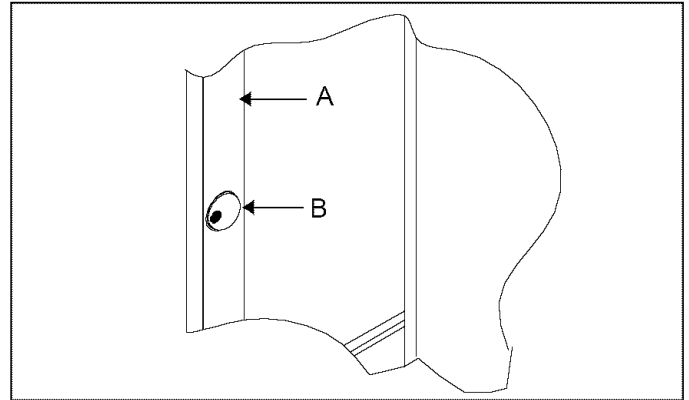
El enfriador para bocadillos es un lugar conveniente para guardar artículos pequeños y bocadillos. Los productos se mantienen más fríos con el aire que circula desde el Beverage Chiller™ (Enfriador de bebidas) de temperatura controlada.



## Beverage Chiller™ (Enfriador de bebidas) de temperatura controlada (en algunos modelos)

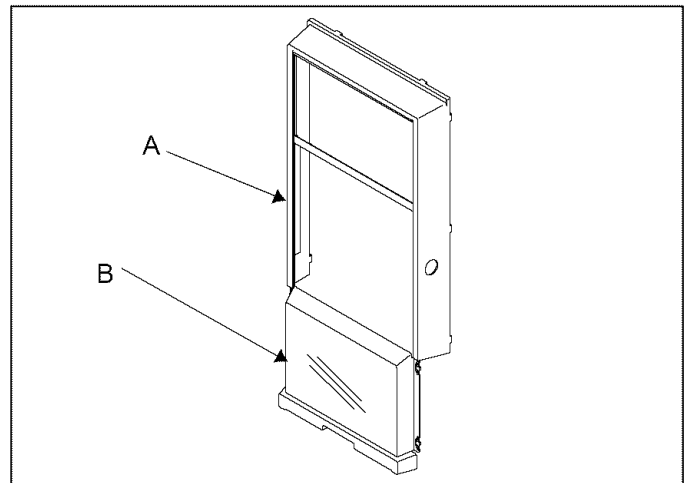
El Beverage Chiller™ (Enfriador de bebidas) de temperatura controlada mantiene las bebidas hasta 5°F (3°C) más frías que la sección Fresh Food. La entrada de aire permite que el aire de la sección del Deepfreeze® se pase al enfriador de bebidas. La entrada de aire está ubicada en la pared interior de la puerta de la sección Fresh Food.

El control del enfriador de bebidas se encuentra en la pared izquierda delantera de la sección Fresh Food. El control ajusta la cantidad de aire que circula en el enfriador de bebidas. Gire el control hacia *cold (frío)* para la temperatura normal de la sección Fresh Food y hacia *colder (más frío)* para la temperatura más fría.



- A. Sección Fresh Food
- B. Control de temperatura

- Quite la puerta del enfriador de bebidas sacando los compartimientos inferiores de la puerta. Quite los compartimientos de la puerta empujando las pestañas hacia el centro y jalando hacia afuera. Deslice la puerta hacia abajo y hacia afuera a través de la parte inferior de la guía de la puerta.
- Vuelva a colocar la puerta del enfriador de bebidas deslizando la puerta hacia arriba a través de la parte inferior de la guía de la puerta. Las guías de retención deben permanecer en su lugar para volver a colocar la puerta. Vuelva a colocar los compartimientos de la puerta deslizándolos hacia adentro hasta que las pestañas encajen en su sitio.

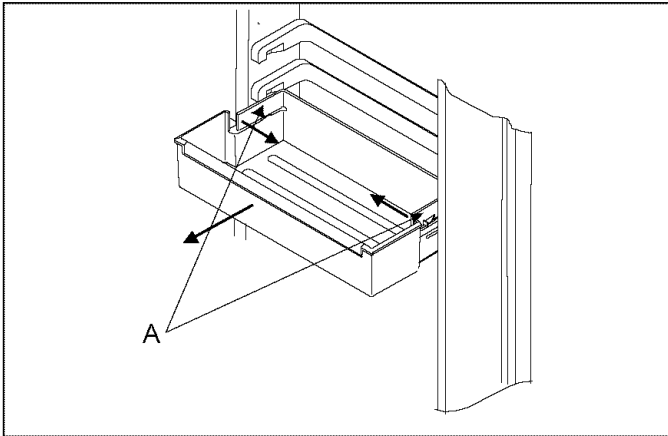


- A. Guía de la puerta
- B. Puerta del enfriador de bebidas

## Compartimientos de la puerta

Los compartimientos de la puerta se ajustan para satisfacer las necesidades individuales de almacenamiento.

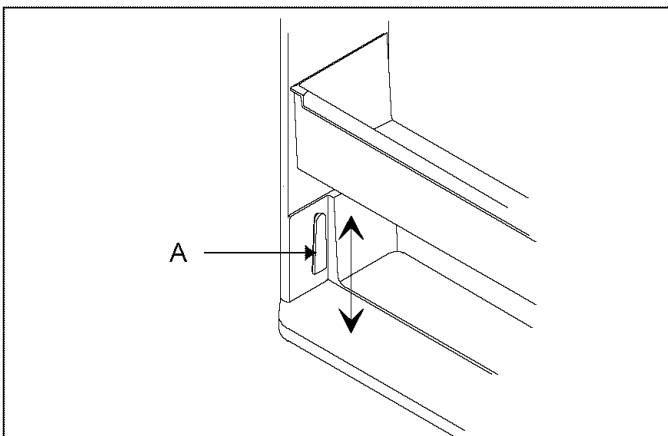
- Quite los compartimientos de la puerta empujando las pestañas hacia el centro y jalando hacia afuera.
- Vuelva a poner los compartimientos de la puerta deslizándolos hasta que las pestañas encajen en su sitio.



A. Pestañas

## Repisas de la puerta

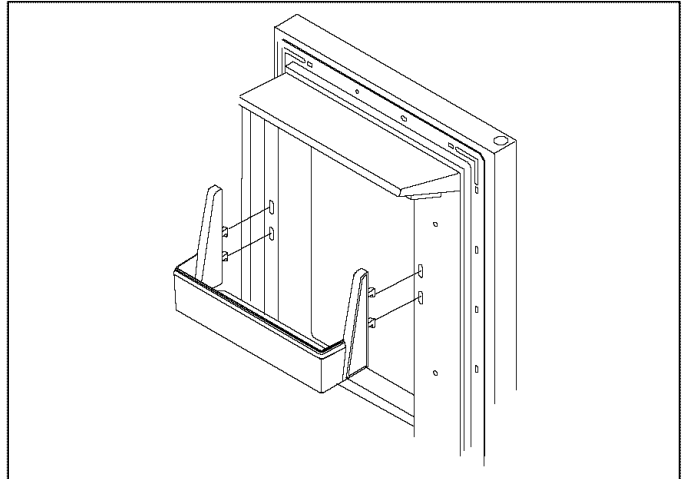
- Quite las repisas de la puerta deslizables levantándolas por los extremos y jalando hacia afuera.
- Vuelva a colocar las repisas deslizables acomodándolas en las guías y deslizándolas hacia abajo.



A. Guía de la repisa

- Quite las repisas de la puerta que vienen con ganchos levantándolas de los extremos y liberando los ganchos en la parte inferior de la repisa.

- Vuelva a colocar las repisas de la puerta que vienen con ganchos insertando los ganchos y bajando la parte inferior de la repisa. Empújela de los extremos hacia abajo.

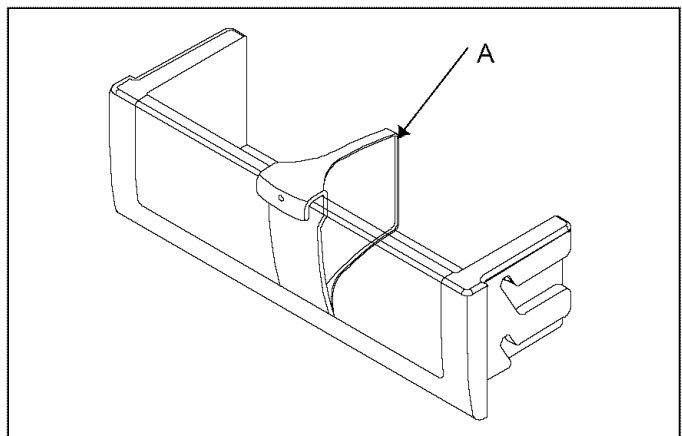


## Precaución

Para evitar daños a la propiedad, verifique que la repisa esté bien instalada antes de colocar artículos en la misma.

## Separador ajustable (en algunos modelos)

El separador ajustable mantiene los artículos en su sitio y se ajusta para satisfacer las necesidades individuales de almacenamiento. El separador cabe en cualquier compartimiento o repisa de la puerta.



A. Separador ajustable

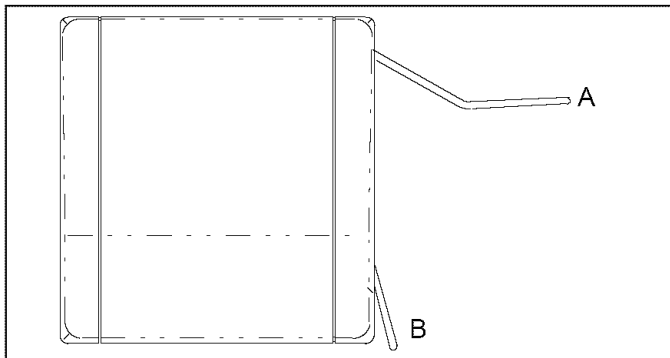
# Características del Deepfreeze®

## ⚠ Precaución

Para evitar daños a la propiedad, verifique que la repisa esté bien instalada antes de volver a colocar artículos en la misma.

### Máquina automática para hacer hielo

- Verifique que el recipiente para hielo esté en su sitio y que el brazo de la máquina para hacer hielo esté hacia abajo.



A. Posición desactivado B. Posición activada

- Después de que la sección Deepfreeze® alcanza su temperatura normal, la máquina de hacer hielo se llena de agua y empieza a funcionar. Deje transcurrir de 24 a 48 horas después de la instalación antes de obtener el primer lote de hielo. Bajo condiciones ideales, la máquina produce de 7 a 9 lotes de hielo en un período de 24 horas.
- Después de que se forma el hielo, la máquina de hacer hielo deja caer los cubos de hielo en el recipiente para hielo. Durante la producción de hielo, el brazo de la máquina para hacer hielo sube y baja. Cuando el recipiente para hielo está lleno, el brazo desactiva la máquina para hacer hielo. Deseche los tres primeros lotes de hielo después de conectar inicialmente el refrigerador a la línea de suministro de agua de la casa, y después de no usar el refrigerador por períodos de tiempo prolongados.
- Detenga la producción de hielo levantando el brazo de la máquina para hacer hielo. Se escuchará un clic seco cuando se alcance la posición correcta. El brazo de la máquina de hacer hielo permanecerá en la posición desactivada hasta que se le empuje hacia abajo.

## ⚠ Precaución

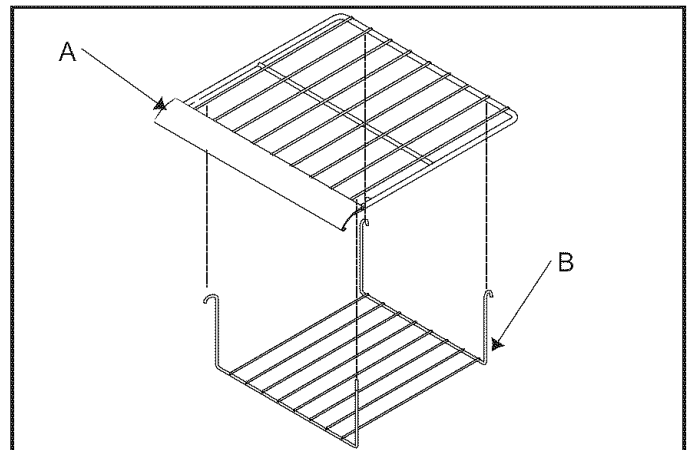
Para evitar dañar la máquina para hacer hielo, lleve a cabo lo siguiente:

- No fuerce el brazo de la máquina para hacer hielo hacia arriba o hacia abajo.
- No coloque ni almacene nada en el recipiente de almacenamiento de hielo.

### Rejilla del Deepfreeze® (en algunos modelos)

Se pueden colocar bandejas de cubos de hielo en la rejilla del Deepfreeze®. Esta rejilla también proporciona almacenamiento adicional.

- Quite la rejilla del Deepfreeze® levantándola y empujando los ganchos de la parte delantera hacia adentro para liberar los ganchos de la repisa. Jale la parte delantera de la rejilla hacia abajo. Empuje los ganchos hacia adentro para liberar los ganchos traseros de la repisa. Deslice la rejilla fuera de la repisa.
- Vuelva a colocar la rejilla del Deepfreeze® empujando los ganchos traseros hacia adentro y colocando los ganchos sobre la repisa. Empuje los ganchos de la parte delantera hacia adentro y coloque los ganchos sobre la repisa.



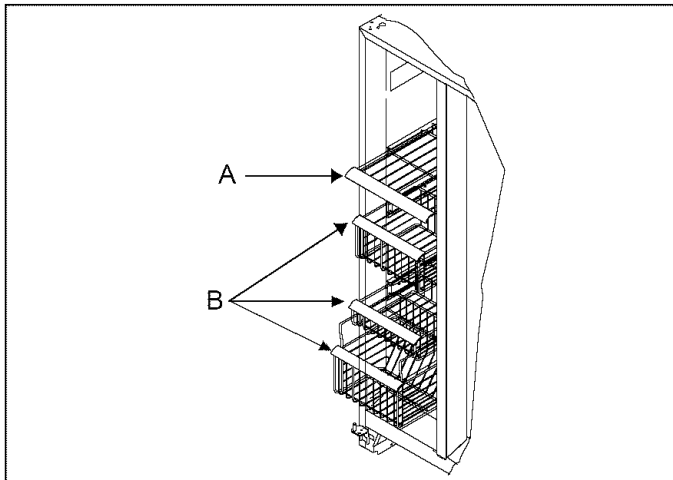
A. Repisa del congelador  
B. Rejilla del Deepfreeze®

### Sistema Stor-Mor®

Las repisas y cestas metálicas se deslizan hacia afuera para facilitar el acceso a los artículos que se encuentran atrás y se pueden acomodar para satisfacer las necesidades individuales de almacenamiento.

- Quite las repisas y cestas levantándolas y jalándolas hacia afuera.

- Vuelva a colocar las repisas y cestas acomodándolas en los carriles laterales. Deslice las repisas y cestas hacia la derecha y hacia atrás hasta que la manija redonda esté detrás del tope del carril.

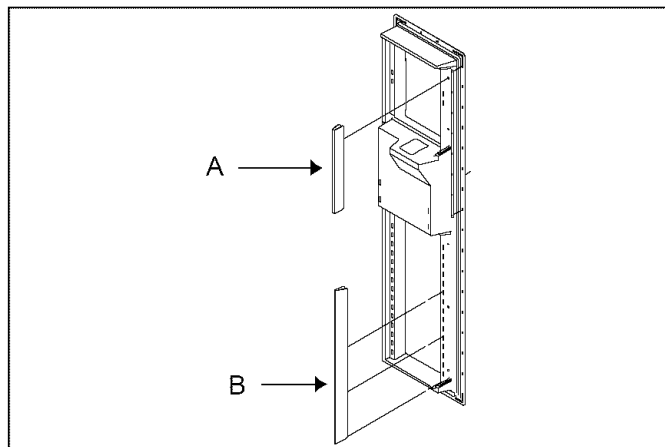


A. Repisa metálica B. Cestas metálicas

### Diques de la puerta (en algunos modelos)

Los diques se desprenden para facilitar el retiro de las repisas y cestas del Deepfreeze®.

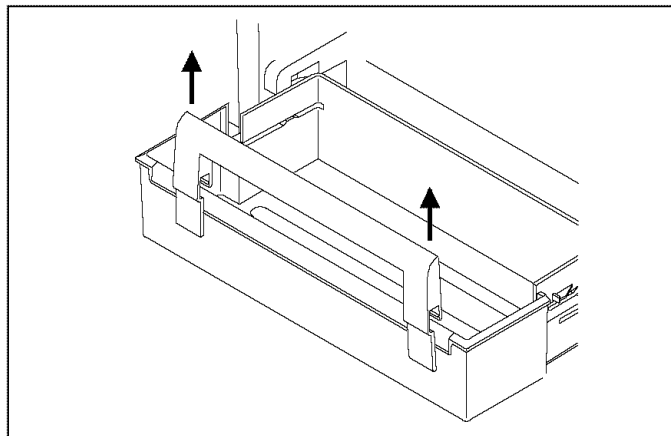
- Quite el dique de la puerta jalándolo hacia afuera.
- Vuelva a colocar el dique de la puerta alineándolo con las extrusiones en la puerta del Deepfreeze®. Empuje hasta que el dique encaje en su sitio.



A. Dique de la puerta B. Dique de la puerta

### Dispositivo de retención para paquetes altos (en algunos modelos)

El dispositivo de retención para paquetes altos mantiene seguros los paquetes altos. El dispositivo cabe en cualquier compartimento o repisa de la puerta.



### Surtidor de agua y hielo Ice 'N' Water™ (en algunos modelos)

#### ⚠ Precaución

Para evitar lesiones personales o daños a la propiedad, cumpla con las siguientes recomendaciones:

- No opere el surtidor cuando la puerta del Deepfreeze® esté abierta.
- No coloque los dedos, manos u objetos extraños dentro del orificio del surtidor.
- No utilice objetos puntiagudos para quebrar el hielo.

#### Funcionamiento del surtidor de agua

Se tarda aproximadamente un minuto después de haber conectado inicialmente el refrigerador al suministro de agua de la casa antes de que salga agua. Deseche los primeros 10 a 14 recipientes con agua después de haber conectado inicialmente el refrigerador al suministro de agua de la casa y después de períodos prolongados de no usarse el refrigerador.

- Surta el agua presionando un recipiente resistente de boca ancha contra la barra del surtidor de agua.
- Detenga el surtido de agua dejando de ejercer presión en la barra. Es posible que continúe cayendo un poco de agua. La repisa para contener derrames no tiene su propio desagüero. Los derrames grandes deben secarse.

## Funcionamiento del surtidor de hielo

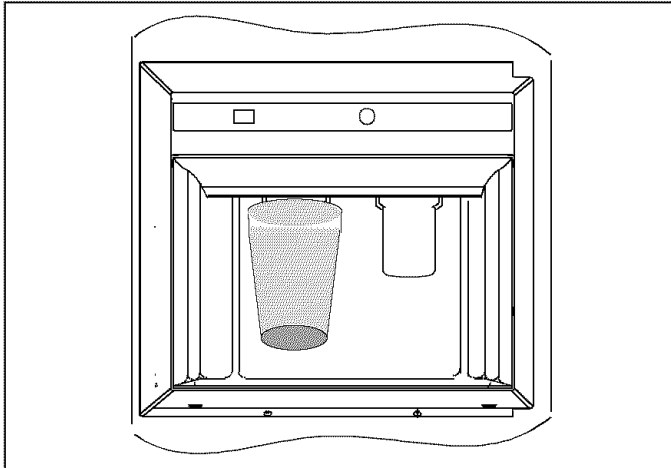
### Precaución

Para evitar daños a la propiedad, no surta hielo directamente en vasos de vidrio delgado, loza fina o cristal delicado.

- Seleccione el modo cubos o hielo triturado, deslizando la palanca en el panel del surtidor. Surta hielo presionando un recipiente de boca ancha contra la barra del surtidor de hielo.

#### Importante

Para minimizar los derrames de hielo triturado, mantenga el recipiente directamente debajo de la tolva de descarga y lo más alto posible en el área de surtido.



- Detenga el surtido de hielo dejando de ejercer presión en la barra antes de que se llene el recipiente. Continuará cayendo algo de hielo. No quite el recipiente hasta que haya caído el último cubo de hielo.

Si se surte hielo de manera continua, el motor del surtidor se apagará después de 3 a 5 minutos. El motor volverá a funcionar después de tres minutos y el surtido de hielo podrá continuar.

Cuando se cambia de los modos cubo y hielo triturado habrá una pequeña demora. Los pedazos de hielo triturado tendrán tamaños y formas diferentes. Si se surte hielo triturado repetidamente, se puede formar «nieve» en la puerta y en la tolva de hielo. Permita que la «nieve» se evapore o séquela.

El surtidor funciona sólo con cubos del tamaño correcto y forma de media luna. No añada cubos de hielo comprados ni otra clase de cubos.

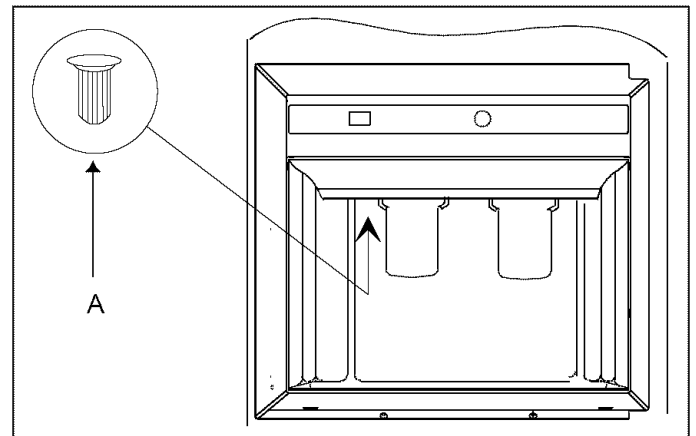
## Cómo quitar el recipiente para hielo

- Quite el recipiente para hielo levantándolo y jalándolo hacia afuera.
- Vuelva a colocar el recipiente para hielo deslizándolo hasta que encaje en su sitio. Para que el surtido de hielo sea correcto, el recipiente para hielo debe estar trabado en su sitio. Si no se puede cerrar la puerta del Deepfreeze®, significa que el recipiente para hielo no se encuentra en su sitio correcto.

## Luz del surtidor (en algunos modelos)

Cuando se surte hielo o agua se enciende una luz. Algunos modelos vienen con una luz nocturna.

- Desactive la luz nocturna presionando el interruptor que se encuentra debajo del surtidor y a la izquierda de la barra del surtidor de hielo.



A. Interruptor de la luz nocturna

## Sabor y olor del agua

Cumpla con las siguientes recomendaciones para minimizar las dificultades con el sabor y olor del agua:

- Envuelva los alimentos en recipientes sellados herméticamente o en bolsas a prueba de humedad.
- Instale un filtro, pieza N° R0185011, en la línea del agua.
- Si persisten las dificultades, comuníquese con la compañía local de tratamiento de agua para recibir ayuda especializada.

# Cuidado y limpieza

## **ADVERTENCIA**

Desconecte el suministro eléctrico al refrigerador antes de limpiarlo para evitar choques eléctricos que podrían causar lesiones graves o la muerte. Después de limpiarlo, vuelva a conectar el suministro eléctrico.

## **Precaución**

Lea y cumpla con las instrucciones del fabricante de los productos de limpieza para evitar lesiones personales o daños a la propiedad.

### Generalidades

1. Lave las superficies con 4 cucharadas de bicarbonato de sodio disuelto en 1 de agua tibia utilizando un trapo suave y limpio.
2. Enjuague las superficies con agua tibia. Seque las superficies con un trapo suave y limpio.
  - No utilice los siguientes productos:
    - limpiadores abrasivos o ásperos tales como amoníaco, cloro, blanqueador etc.
    - detergentes o disolventes concentrados
    - estropajos metálicosEstos productos pueden rayar, rajar y descolorar las superficies.
  - No lave las repisas, recipientes, etc. en un lavaplatos automático.

### Eliminación de olores

1. Saque todos los alimentos y desconecte el suministro eléctrico al refrigerador.
2. Lave todas las superficies interiores incluyendo el techo, el piso y las paredes, de acuerdo con las instrucciones de limpieza de la sección «Generalidades». Preste atención especial a las esquinas, hendiduras y ranuras. Incluya todos los accesorios, cajones, repisas y empaques.
3. Conecte el suministro eléctrico al refrigerador y vuelva a colocar los alimentos en el refrigerador. Lave y seque todas las botellas, frascos y recipientes. Guarde todos los alimentos en recipientes sellados herméticamente para evitar malos olores adicionales. Después de 24 horas revise si se ha eliminado el olor.

Si no se ha eliminado el olor, siga los siguientes pasos.

4. Lleve a cabo los pasos del 1 al 2.
5. Coloque los cajones para verduras en la repisa superior de la sección Fresh Food. Llene las secciones Fresh Food y Deepfreeze®, incluyendo las puertas, con hojas estrujadas de periódico blanco y negro.

6. Coloque pedazos de carbón en diferentes lugares del periódico.
7. Cierre las puertas y deje reposar de 24 a 48 horas.
8. Saque los pedazos de carbón y los periódicos.
9. Complete los pasos 2 y 3.

Si aún no se ha eliminado el olor, comuníquese con el Departamento de asuntos del consumidor. Consulte la sección de Identificación del modelo para obtener el número telefónico.

### Adhesivos

1. Elimine el residuo de goma frotando un poco de pasta dental sobre el adhesivo hasta aflojarlo.
2. Enjuague la superficie con agua tibia. Seque la superficie con un trapo limpio y suave.

### Empaques de la puerta

1. Limpie los empaques de la puerta cada 3 meses de acuerdo con las instrucciones de limpieza de la sección «Generalidades».
2. Aplique una capa delgada de vaselina para mantener los empaques flexibles.

### Serpentines del condensador

Limpie el serpentín del condensador cada 3 meses para asegurar un funcionamiento óptimo del refrigerador. La acumulación de polvo y pelusas puede causar lo siguiente:

- menor rendimiento de enfriamiento
  - aumento del consumo de energía
  - falla prematura del compresor
1. Quite la rejilla inferior sosteniéndola de los extremos y jalándola hacia adelante.
  2. Limpie la superficie delantera del serpentín con la boquilla de manguera de una aspiradora.
  3. Vuelva a colocar la rejilla inferior insertando y encajando las presillas en los agujeros del gabinete.

## **Precaución**

Para evitar daños a la propiedad, proteja los pisos de vinilo delicado o de otra clase con cartones, tapetes u otros materiales de protección.

4. Aleje el refrigerador de la pared. Pase el cepillo de la aspiradora sobre la rejilla de salida del ventilador del condensador en la parte posterior del refrigerador.

## Repisas de vidrio

### Precaución

Maneje con cuidado las repisas de vidrio templado para evitar lesiones personales o daños a la propiedad. Las repisas se pueden romper súbitamente si sufren raspaduras, golpes o se exponen a cambios repentinos de temperatura.

Saque la repisa levantándola del frente, liberando los ganchos de los rieles metálicos, luego jalando la repisa hacia adelante. Colóquela sobre una toalla y permita que la repisa se adapte a la temperatura ambiental antes de limpiarla.

Limpie las hendiduras haciendo lo siguiente:

1. Diluya un detergente suave y aplíquelo en las hendiduras usando un cepillo con cerdas de plástico. Déjelo reposar durante 5 minutos.
2. Rocíe agua tibia en las hendiduras usando un aditamento para rociar agua desde el grifo.
3. Seque bien la repisa y vuelva a colocarla insertando los ganchos en el riel metálico y bajando la parte delantera.

## Focos

### ADVERTENCIA

Desconecte el suministro eléctrico al refrigerador antes de cambiar los focos para evitar choques eléctricos que podrían causar lesiones graves o la muerte. Después de cambiar los focos, vuelva a conectar el suministro eléctrico.

### Precaución

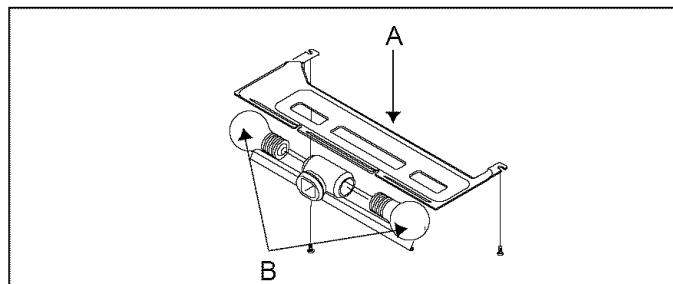
Lleve a cabo lo siguiente para evitar lesiones personales o daños a la propiedad:

- Permita que se enfríe el foco.
- Use guantes cuando cambie el foco.

## Parte superior de la sección Fresh Food

- Quite la tapa del foco extrayendo los tornillos hexagonales de 1/4 de pulgada (6 mm). Reemplace los focos con focos para electrodomésticos de 40 watts.

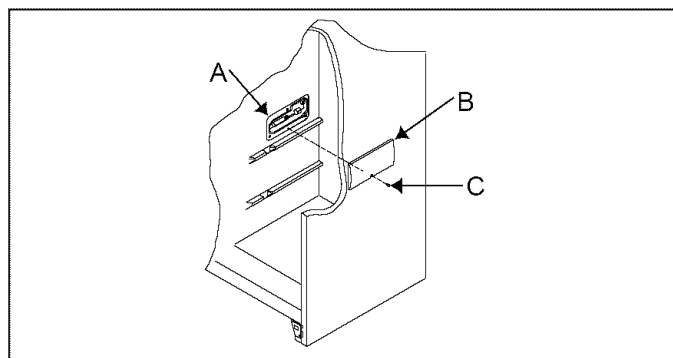
- Vuelva a colocar la tapa del foco atornillando los tornillos hexagonales de 1/4 de pulgada (6 mm).



A. Tapa de los focos B. Focos

## Parte inferior de la sección Fresh Food (en algunos modelos)

- Quite la tapa del foco extrayendo los tornillos. Reemplace el foco con un foco tubular de 40 watts.
- Vuelva a colocar la tapa del foco colocando la tapa sobre el foco. Introduzca y apriete el tornillo.

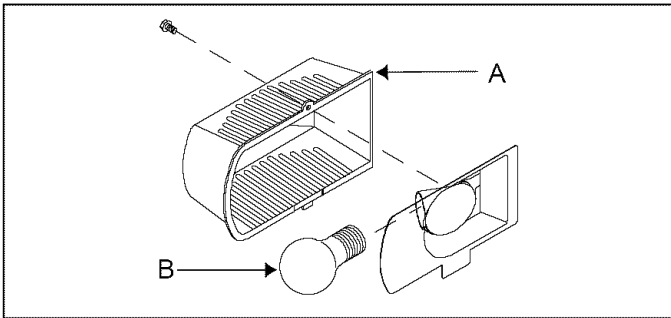


A. Foco B. Tapa del foco  
C. Tornillo

## Sección del Deepfreeze®

1. Quite el recipiente para hielo levantándolo y jalándolo hacia afuera.
2. Quite la tapa del foco extrayendo el tornillo. Reemplace el foco con un foco para electrodomésticos de 40 watts.
3. Vuelva a colocar la tapa del foco sosteniendo la tapa en su sitio sobre el foco. Introduzca y apriete el tornillo.

- 
4. Vuelva a colocar el recipiente para hielo deslizándolo hasta que encaje en su sitio.

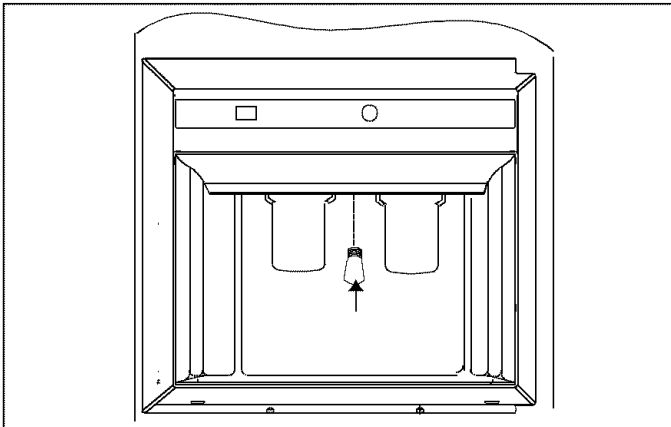


A. Tapa del foco B. Foco

**Surtidor de agua y hielo Ice 'N' Water™** (en algunos modelos)

El foco está ubicado entre los brazos del surtidor.

- Quite la tapa del foco destornillando el foco.  
Reemplace el foco con un foco de 6 watts y 120 voltios.
- Vuelva a colocar el foco introduciendo y apretando el mismo.



## Ruidos del funcionamiento normal

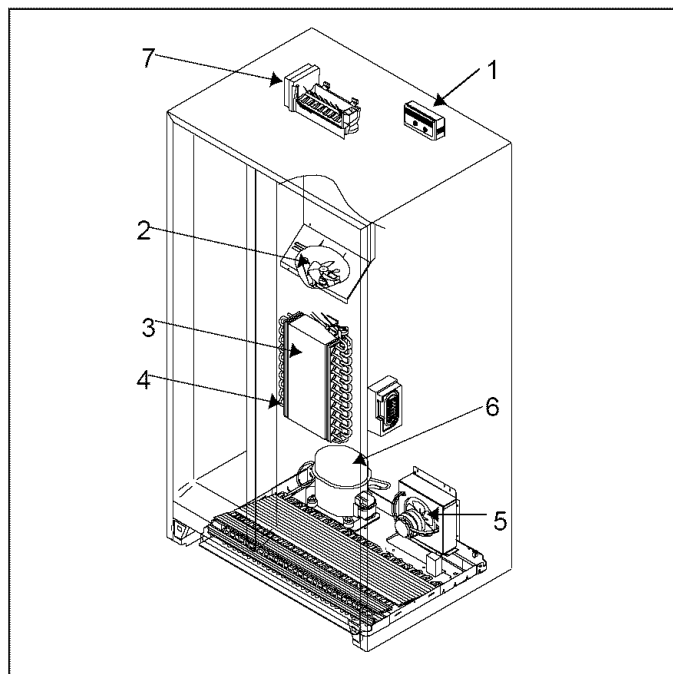
Es posible que este refrigerador nuevo esté reemplazando a uno de diferente diseño, menos eficiente o más pequeño. Los refrigeradores actuales tienen características nuevas y un mejor rendimiento de energía. Como resultado de esto, ciertos ruidos pueden parecer poco comunes. Estos ruidos son normales y pronto le serán familiares. Estos ruidos indican también que el refrigerador está funcionando y rindiendo según su diseño.

1. **Control del Deepfreeze®.** El control del Deepfreeze® hace un clic al arrancar o detenerse el compresor.
2. **Ventilador del Deepfreeze®.** El aire del ventilador del congelador se acelera y zumba.
3. **Sistema sellado.** (evaporador e intercambiador de calor) El flujo del refrigerante del sistema sellado gorgojea, cruje o suena como agua hirviendo.
4. **Calentador de descarchado.** El calentador de descarchado hace chirridos, silba o cruje.
5. **Ventilador del condensador.** El aire del ventilador del condensador se acelera y zumba.
6. **Compresor.** El compresor tiene un sonido de tarareo o pulsante.
7. **Cubos de hielo.** Los cubos de hielo de la máquina para hacer hielo (en algunos modelos) caen al recipiente.

**Sinfín para hielo.** (en los modelos con surtidor Ice 'N' Water™) El sinfín para hielo hace un ruido de tarareo al agitarse dicho sinfín durante el surtido de hielo. El sinfín para hielo está ubicado en la puerta del congelador.

**Conexión de la válvula de agua de la máquina para hacer hielo.** Esta conexión (en algunos modelos) zumba cuando la máquina para hacer hielo se llena con agua. Esto ocurre independientemente de que el refrigerador esté o no esté conectado al suministro de agua. Si no está conectado, anule el ruido colocando el brazo de la máquina para hacer hielo hacia arriba, en la posición *desactivada (off)*. La conexión de la válvula de agua está ubicada en la parte posterior de la parte inferior de la esquina izquierda.

El aislamiento de espuma tiene muy buen rendimiento de energía y excelente capacidad aislante. Sin embargo, no absorbe el ruido tanto como el aislamiento de fibra de vidrio que se usaba anteriormente.



## Antes de llamar para solicitar servicio

El refrigerador no funciona.

- Compruebe que el control del Deepfreeze® esté activado.
- Compruebe que el refrigerador esté enchufado
- Revise el fusible o cortacircuitos. Enchufe otro artefacto en ese tomacorriente de pared.
- Espere 40 minutos para ver si vuelve a arrancar el refrigerador. Si el control del Deepfreeze® está activado, funcionan las luces pero no están en operación los dos ventiladores ni el compresor, el refrigerador podría estar en el ciclo de descarchado.

Aún no funciona el refrigerador.

- Desenchufe el refrigerador. Cambie los alimentos a otra unidad o ponga hielo seco en la sección Deepfreeze® para conservar los alimentos. **La garantía no cubre las pérdidas de alimentos.** Revise su certificado de garantía para ver si cubre algo en específico.
- Llame al **1-800-628-5782** dentro de los EE.UU. y al **1-319-622-5511** fuera de los EE.UU. para localizar un técnico **autorizado** de Amana®.

La temperatura de los alimentos parece ser demasiado alta.

- Vea las secciones anteriores.
- Deje que transcurra suficiente tiempo para que los alimentos calientes que se acaban de añadir alcancen la temperatura de la sección Fresh Food o Deepfreeze®.
- Revise los empaques de la puerta para ver si sellan correctamente.
- Limpie los serpentines del condensador.
- Ajuste el control de la sección Fresh Food y/o Deepfreeze®.
- Verifique que la rejilla trasera de aire no esté taponada. Esta rejilla está ubicada detrás del cajón izquierdo para verduras.

La temperatura del sistema Chiller Fresh™ es demasiado alta.

- Fije el control en un ajuste más frío.
- Ajuste el control del Deepfreeze® a una posición de menor temperatura.

La temperatura de los alimentos es demasiado fría.

- Limpie los serpentines del condensador.
- Ajuste el control de la sección Fresh Food.
- Ajuste el control del Deepfreeze® a una posición de mayor temperatura. Deje que transcurran varias horas para que se ajuste la temperatura.

El refrigerador se acciona con demasiada frecuencia.

- Podría ser normal para mantener una temperatura constante.
- Podría ser que se hayan abierto las puertas con frecuencia o durante un período de tiempo prolongado.
- Deje que transcurra suficiente tiempo para que los alimentos calientes que se acaban de añadir alcancen la temperatura de la sección Fresh Food o Deepfreeze®.
- Limpie los serpentines del condensador.
- Ajuste el control del Deepfreeze®.
- Revise los empaques de la puerta para ver si sellan correctamente.

Se forman gotas de agua en el interior del refrigerador.

- Es normal durante períodos de alta humedad o si se abren las puertas con mucha frecuencia.

Se forman gotas de agua en el exterior del refrigerador.

- Revise los empaques de la puerta para ver si sellan correctamente.

Los cajones para verduras Garden Fresh™ y el sistema Chiller Fresh™ no cierran con facilidad.

- Vea si hay algún paquete que impida que cierre bien el cajón.
- Compruebe que el cajón esté en la posición correcta.
- Limpie los canales del cajón con agua tibia y jabonosa. Enjuague y seque bien.

- Aplique una capa delgada de vaselina a los canales del cajón.
- Compruebe que el refrigerador esté nivelado.

El refrigerador tiene mal olor.

- Consulte las instrucciones para la «Eliminación de olores» en la sección de «Cuidado y limpieza».

El refrigerador o la máquina para hacer hielo hacen ruidos poco comunes o que parecen demasiado altos.

- Podría ser normal. Consulte la sección de «Ruidos del funcionamiento normal».

La máquina de hacer hielo no produce hielo:

- Compruebe que el brazo de la máquina de hacer hielo esté hacia abajo.
- Compruebe que el suministro de agua de la casa llegue a la válvula del agua.
- Compruebe que el cable preformado de la máquina de hacer hielo esté completamente insertado en los agujeros correctos.
- Compruebe que no haya torceduras en la tubería de cobre o de plástico. Elimine las torceduras si las hay o cambie el tubo.
- Revise las conexiones eléctricas al serpentín de la válvula de agua y al bloque conector en el gabinete del refrigerador.
- Compruebe que la sección del Deepfreeze® esté funcionando a la temperatura correcta.

Los cubos de hielo tienen mal olor.

- Consulte las instrucciones para la «Eliminación de olores» en la sección de «Cuidado y limpieza».
- Deseche el hielo y lave el recipiente o las bandejas para hielo con más frecuencia. Los cubos de hielo son porosos y absorben olores con facilidad.

Los cubos de hielo se pegan o se 'encogen'.

- Vacíe el recipiente o las bandejas para hielo con más frecuencia. Si se usan con poca frecuencia, los cubos pueden pegarse o encogerse.

Se forma hielo en el tubo de entrada a la máquina para hacer hielo.

- Revise la presión del agua. La baja presión del agua causará fugas en la válvula. Las válvulas auto perforadas causan la baja presión del agua. **Amana recomienda el uso de tubería de cobre para conectar la instalación de cañerías de la casa al refrigerador. No utilice válvulas auto perforadas. Amana no se puede hacer responsable por los daños a la propiedad causados por la instalación incorrecta o por la conexión del agua.**

## Plan de servicio Asure™

---

Amana se complace en ofrecer un servicio de protección a largo plazo para este refrigerador nuevo. El Plan de servicio extendido Asure™ ha sido especialmente diseñado para complementar la poderosa garantía de Amana. Asure™ proporciona una cobertura al refrigerador que protege su presupuesto e incluye las piezas, mano de obra y viáticos. Su distribuidor Amana le puede proporcionar más detalles, o llame al departamento Asure™ al 1/800-528-2682.

## Sugerencias para conservar la energía

---

Este refrigerador ha sido diseñado para ser uno de los refrigeradores de mayor rendimiento de energía disponibles. Reduzca el consumo de energía llevando a cabo lo siguiente.

- Hágalo funcionar a temperaturas normales entre 55° y 110°F (13° y 43°C) alejado de las fuentes de calor y de la luz directa del sol.
- Fije los controles de las secciones Fresh Food, Deepfreeze® y Chiller Fresh™ a una temperatura que no sea más fría de la necesaria.
- Mantenga llena la sección Deepfreeze®.
- Mantenga los empaques de la puerta limpios y flexibles. Cambie los empaques si están gastados.
- Mantenga limpios los serpentines del condensador.

## Sugerencias para las vacaciones

---

Siga los siguientes pasos en caso de tomarse vacaciones breves.

1. Saque los alimentos que se puedan echar a perder.  
**La garantía no cubre las pérdidas de alimentos.** Revise su certificado de garantía para ver si cubre algo en específico.
2. Si el refrigerador tiene instalada una máquina para hacer hielo, coloque el brazo de la máquina hacia arriba, en la posición *desactivada (off)*.

Siga los siguientes pasos en caso de tomarse vacaciones largas.

1. Vacíe las secciones Fresh Food y Deepfreeze®.
2. Desenchufe el refrigerador.
3. Limpie el interior del refrigerador y los empaques de las puertas de acuerdo con las instrucciones de limpieza de la sección «Generalidades» en la sección «Cuidado y limpieza».
4. Deje las puertas abiertas para que pueda circular el aire en el interior.
5. Si el refrigerador tiene instalada una máquina para hacer hielo, cierre el suministro de agua al refrigerador y ponga el brazo de la máquina hacia arriba, en la posición *desactivada (off)*.

## Garantía (Modelos electrónicos)

**Garantía completa de un año** **Garantía completa de cinco años en los componentes del sistema sellado y en el revestimiento del compartimiento de los alimentos**

**Garantía limitada de cinco años en los componentes del control electrónico**

**Garantía limitada de diez años en los componentes del sistema sellado**

### Primer año

Amana reparará o reemplazará sin cargo alguno, cualquier pieza que esté defectuosa debido a la mano de obra o a los materiales.

### Del segundo al quinto año

Amana reemplazará, sin cargo alguno, cualquier componente del sistema sellado (compresor, condensador, evaporador y la tubería de interconexión) y reparará cualquier revestimiento del compartimiento de los alimentos (excluyendo el revestimiento de la puerta) que esté defectuoso debido a la mano de obra o a los materiales.

### Del segundo al quinto año

Amana reemplazará, gratuitamente, f.o.b. Amana, Iowa, cualquier componente del control electrónico (alto y bajo voltaje, tableros de circuitos impresos, conjunto del teclado del adorno superior), que esté defectuoso debido a la mano de obra o a los materiales.

### Del sexto al décimo año

Amana reemplazará cualquier componente del sistema sellado (compresor, condensador, evaporador y la tubería de interconexión), f.o.b. Amana, Iowa, que esté defectuoso debido a la mano de obra o a los materiales.

### Limitaciones de la garantía

- Comienza a partir de la fecha de la compra original.
- Se aplica a productos que se van a usar dentro de los Estados Unidos o en Canadá, si el producto viene de la fábrica con la aprobación de la Asociación de Normas Canadienses.
- El servicio debe realizarlo un técnico **autorizado** de Amana®.

### La garantía se anulará si:

- La placa del número de serie está borrosa o ilegible.
- Se le ha dado uso comercial al producto, se ha rentado o alquilado.
- El producto tiene algún defecto o daño debido a un accidente, alteración, conexión eléctrica incorrecta, incendio, inundación, relámpagos, envío o manejo del producto, u otras condiciones fuera del control de Amana.
- El producto ha sido instalado o usado incorrectamente.

### Responsabilidades del propietario

- Proporcionar evidencia de compra (recibo).
- Proporcionar cuidado y mantenimiento normales. Reemplazar los artículos reemplazables por el propietario de acuerdo con las instrucciones que aparecen en el Manual del propietario.
- Permitir que el producto sea razonablemente accesible por el personal de servicio.
- Pagar una compensación de los gastos de servicio por los servicios prestados por el técnico fuera de su horario habitual de trabajo.
- Pagar por las llamadas para solicitar servicio relacionado con la instalación del producto.

**En ningún caso Amana se hará responsable de daños incidentales o emergentes, incluyendo la pérdida de alimentos\***

\*Esta garantía otorga derechos legales específicos y puede ser que existan otros derechos que difieren de un estado a otro. Por ejemplo, algunos estados no permiten la exclusión o limitación de los daños incidentales o emergentes, por lo tanto, es posible que esta exclusión no le afecte a usted.

## Garantía (Modelos que no son electrónicos)

**Garantía completa de un año** **Garantía completa de cinco años en los componentes del sistema sellado y en el revestimiento del compartimiento de los alimentos**

**Garantía limitada de diez años en los componentes del sistema sellado**

### Primer año

Amana reparará o reemplazará sin cargo alguno, cualquier pieza que esté defectuosa debido a la mano de obra o a los materiales.

### Del segundo al quinto año

Amana reemplazará, sin cargo alguno, cualquier componente del sistema sellado (compresor, condensador, evaporador y la tubería de interconexión) y reparará cualquier revestimiento del compartimiento de los alimentos (excluyendo el revestimiento de la puerta) que esté defectuoso debido a la mano de obra o a los materiales.

### Del sexto al décimo año

Amana reemplazará cualquier componente del sistema sellado (compresor, condensador, evaporador y la tubería de interconexión), f.o.b. Amana, Iowa, que esté defectuoso debido a la mano de obra o a los materiales.

### Limitaciones de la garantía

- Comienza a partir de la fecha de la compra original.
- Se aplica a productos que se van a usar dentro de los Estados Unidos o en Canadá, si el producto viene de la fábrica con la aprobación de la Asociación de Normas Canadienses.
- El servicio debe realizarlo un técnico **autorizado** de Amana®.

### La garantía se anulará si:

- La placa del número de serie está borrosa o ilegible.
- Se le ha dado uso comercial al producto, se ha rentado o alquilado.
- El producto tiene algún defecto o daño debido a un accidente, alteración, conexión eléctrica incorrecta, incendio, inundación, relámpagos, envío o manejo del producto, u otras condiciones fuera del control de Amana.
- El producto ha sido instalado o usado incorrectamente.

### Responsabilidades del propietario

- Proporcionar evidencia de compra (recibo).
- Proporcionar cuidado y mantenimiento normales. Reemplazar los artículos reemplazables por el propietario de acuerdo con las instrucciones que aparecen en el Manual del propietario.
- Permitir que el producto sea razonablemente accesible por el personal de servicio.
- Pagar una compensación de los gastos de servicio por los servicios prestados por el técnico fuera de su horario habitual de trabajo.
- Pagar por las llamadas para solicitar servicio relacionado con la instalación del producto.

**En ningún caso Amana se hará responsable de daños incidentales o emergentes, incluyendo la pérdida de alimentos\***

\*Esta garantía otorga derechos legales específicos y puede ser que existan otros derechos que difieren de un estado a otro. Por ejemplo, algunos estados no permiten la exclusión o limitación de los daños incidentales o emergentes, por lo tanto, es posible que esta exclusión no le afecte a usted.

