

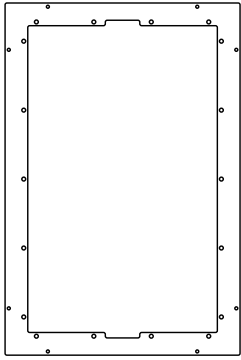
SONANCE

BEYOND SOUND

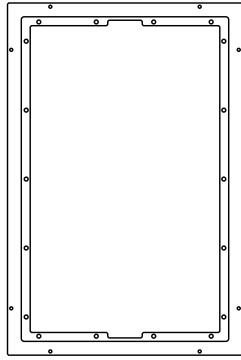
INVISIBLE SERIES
PRE-CONSTRUCTION BRACKET MANUAL

INVISIBLE SERIES ACCESSORIES

Pre-Construction Bracket



FRONT VIEW



BACK VIEW

INTRODUCTION

Thank you for selecting the Sonance Invisible Series Pre-Construction Bracket. Sonance has over four decades of experience in premium distributed audio. Please take the time to carefully read through the manual, study the illustrations, and system diagrams. This extra time can lead to trouble-free operation and continued musical enjoyment.

IMPORTANT: Read this section in its entirety before attempting use of pre-construction bracket.

IMPORTANT SAFETY INSTRUCTIONS

Always follow these basic safety precautions to reduce the risk of fire, electric shock, and injury to people or objects.

1. Read these instructions.
2. Keep these instructions.
3. Heed all warnings.
4. Follow all instructions.
5. Clean only with a dry cloth.
6. Only use attachments/accessories specified by Sonance.
7. Refer all servicing to qualified service personnel.

TABLE OF CONTENTS

- 2 Box Contents
- 2 Introduction
- 2 Important Safety Information
- 3 Preparation
- 4 Pre-Construction Installation
- 6 Speaker Installation
- 7 Warranty

OVERVIEW | COMPATIBILITY

The Invisible Series (IS) Pre-Construction Brackets require a compatible IS Enclosure to create a complete pre-construction and space saving solution for Sonance Motion Flex Invisible Series Speakers. Use the following chart to determine which IS Pre-construction Bracket to use. You must know which IS Speaker, which type of IS Enclosure, and what wall board thickness will be used in order to determine the correct bracket to use. Custom wall board thicknesses are possible; please contact Sonance for custom inquiries.

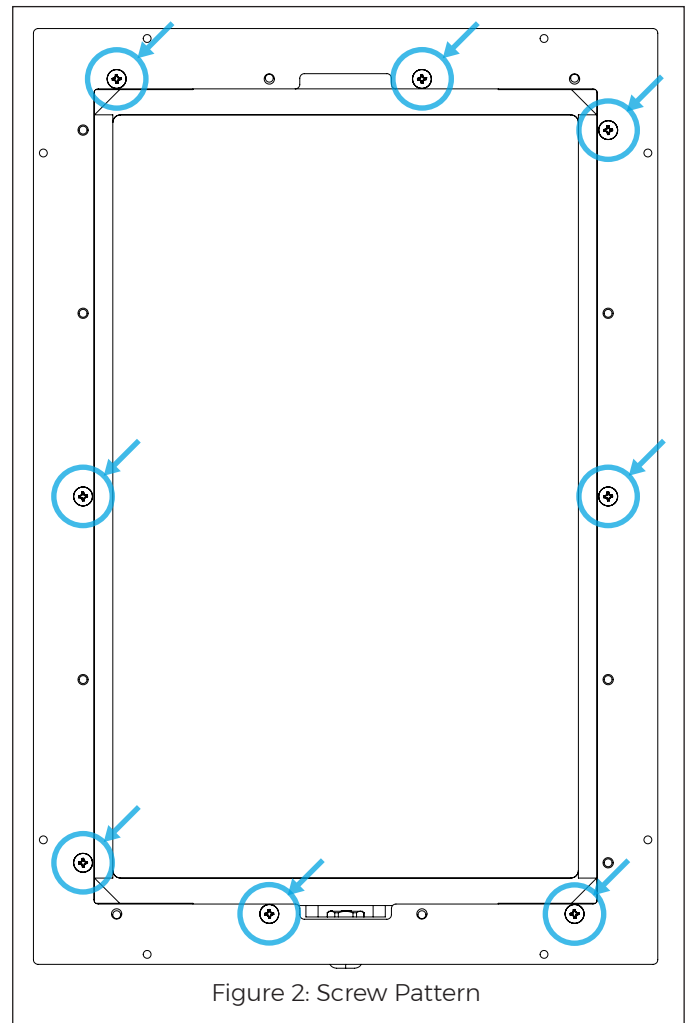
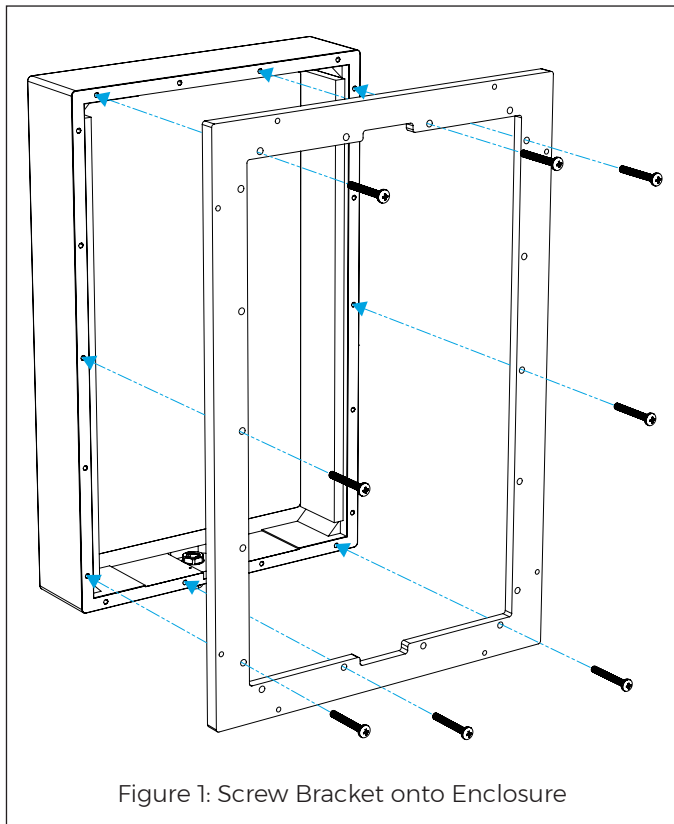
BOX CONTENTS

- (1) IS Pre-Construction Bracket
- (10) 1/4-20 Screws
- (2) shims for IS Enclosure
- (1) Double-sided Tape for Shims

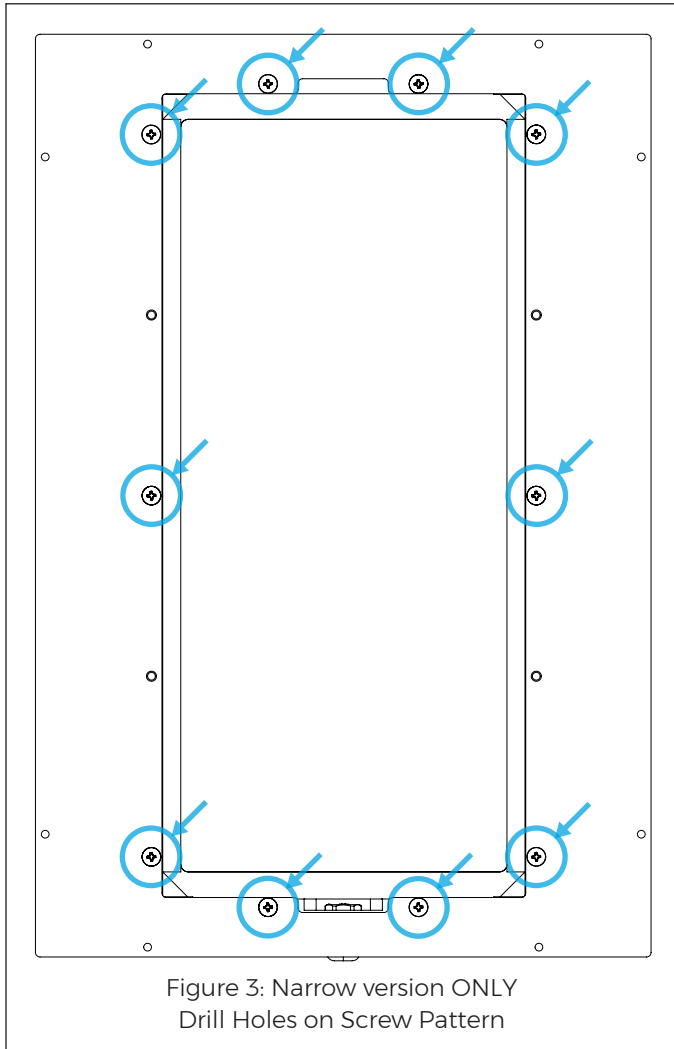
IS SPEAKER	IS SOUND ISOLATING ENCLOSURE	WALL BOARD THICKNESS	IS PRE-CONSTRUCTION BRACKET
IS6	IS-ENCL-S	0.5" (12.5mm)	IS-S-PB.500
		0.625" (15mm)	IS-S-PB.625
	IS-ENCL-S-NARROW	0.5" (12.5mm)	IS-S-NARROW-PB.500
		0.625" (15mm)	IS-S-NARROW-PB.625
IS8 IS10W	IS-ENCL-M	0.5" (12.5mm)	IS-M-PB.500
		0.625" (15mm)	IS-M-PB.625
	IS-ENCL-M-NARROW	0.5" (12.5mm)	IS-M-NARROW-PB.500
		0.625" (15mm)	IS-M-NARROW-PB.625
IS10	IS-ENCL-L	0.5" (12.5mm)	IS-L-PB.500
		0.625" (15mm)	IS-L-PB.625
	IS-ENCL-L-NARROW	0.5" (12.5mm)	IS-L-NARROW-PB.500
		0.625" (15mm)	IS-L-NARROW-PB.625

PREPARATION

Install Invisible Series Pre-Construction Bracket onto IS Enclosure using at least eight of the included 1/4-20 screws (see Figure 1). The screw pattern (see Figure 2) is recommended for installation efficiency.



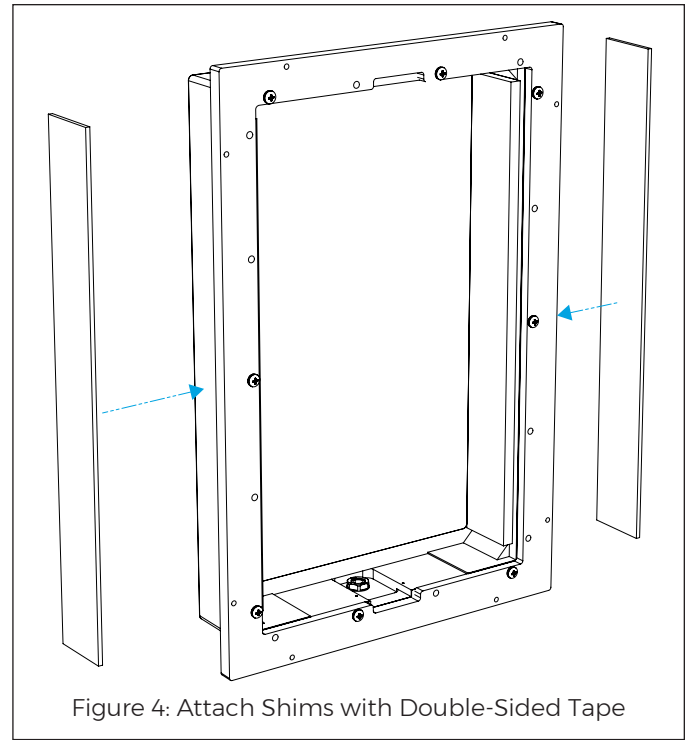
NOTE: If using a NARROW enclosure, you must pre-drill pilot holes into the enclosure before the bracket can be installed. Use the bracket as a hole guide and drill ten holes 7/32" (5.5mm) diameter at a depth of 2" (50mm). Use the screw pattern for where to drill the holes (see Figure 3).



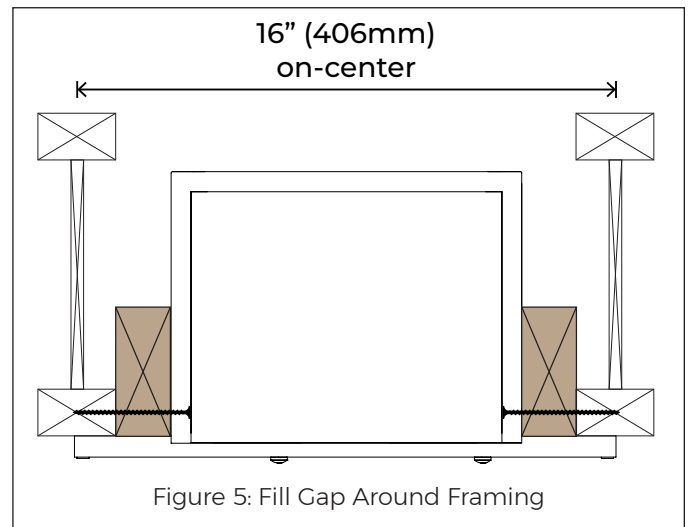
SHIMS AND FRAMING SUPPORT

Shims must be used to fill any gaps between the longer sides of the Invisible Series Enclosure and inside surfaces of construction framing. This will prevent damage and air leaks in the enclosure when it is anchored to the framing.

For the most common scenario of 16" OC framing and standard width enclosures (non-narrow enclosures), use the supplied double-sided adhesive tape to attach the shims as shown (see Figure 4).



For all other configurations such as 12" OC framing, TJI-style engineered joists, and/or narrow enclosures, use dimensional lumber, plywood, or other wood shim material to completely fill any gap between the longer sides of the IS Enclosure and construction framing (see Figure 5). This shim material can be either applied to the IS Enclosure or the framing. You may find it easiest to simply frame around all four sides of the enclosure to ensure a snug fit.



PRE-CONSTRUCTION INSTALLATION

Temporarily tack the IS Pre-Construction Bracket and enclosure assembly to the framing using four wood or drywall screws around the perimeter of the IS Pre-Construction Bracket (see Figure 6).

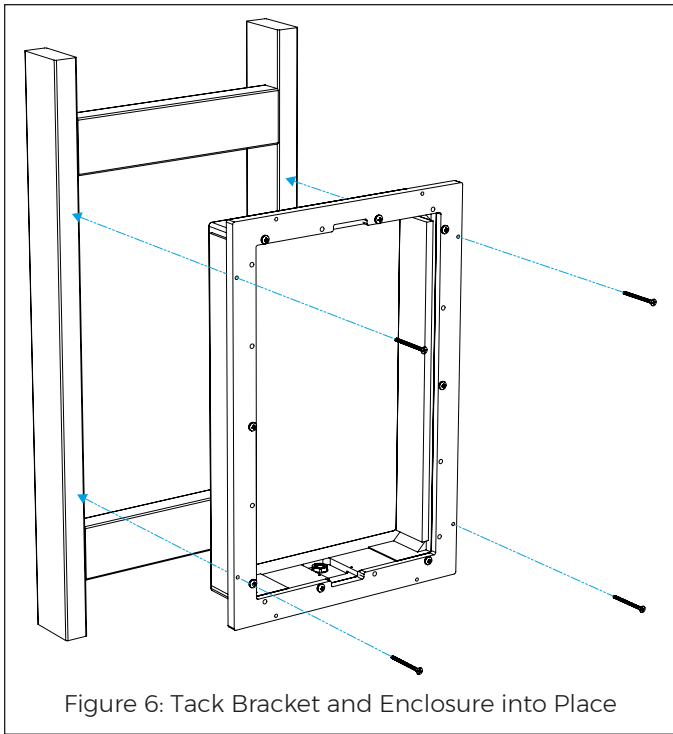


Figure 6: Tack Bracket and Enclosure into Place

Pre-drill eight pilot holes (four on each side, evenly spaced) through the inside of the IS Enclosure walls, through any shims you have installed, and into the framing (see Figure 7). Avoid drilling the pilot holes near any holes on the face of IS Pre-Construction Bracket. Securely anchor the IS Enclosure to the framing using standard flat head #8 or #10 construction screws (metric equivalent 4-5mm) long enough to drive at least 1" (25mm) into the framing.

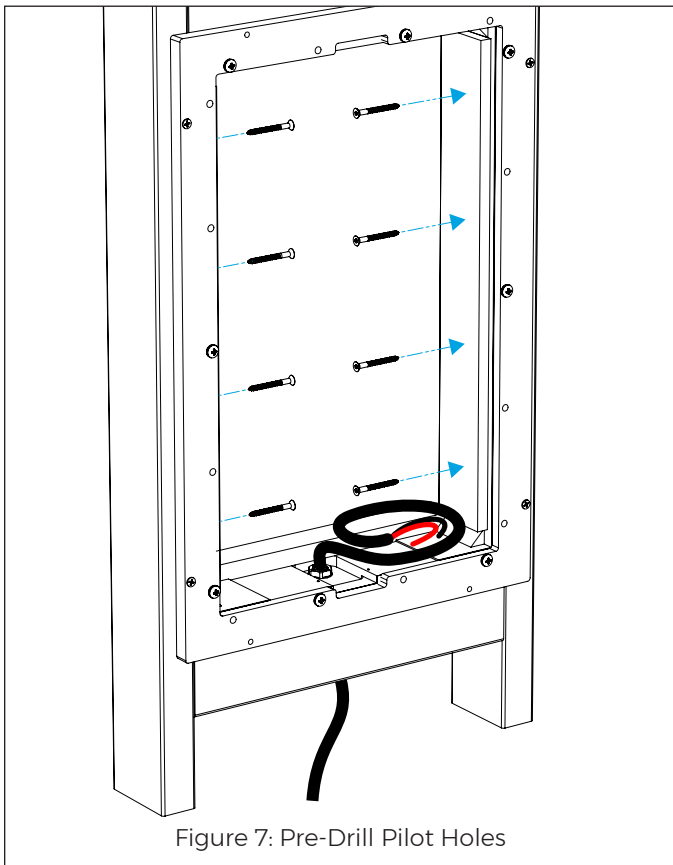


Figure 7: Pre-Drill Pilot Holes

IMPORTANT NOTE FOR NARROW ENCLOSURES: Use the pre-existing holes in the sides of the enclosure to secure to the framing. The screw heads must be countersunk into the IS enclosure walls so that they do not protrude. If you fail to do this, the IS Speaker will not fit. After the screws are installed, you must use gaffer tape or similar to cover all screws and all holes in the walls of the IS Narrow Enclosure to prevent air leaks. Do not skip this step.

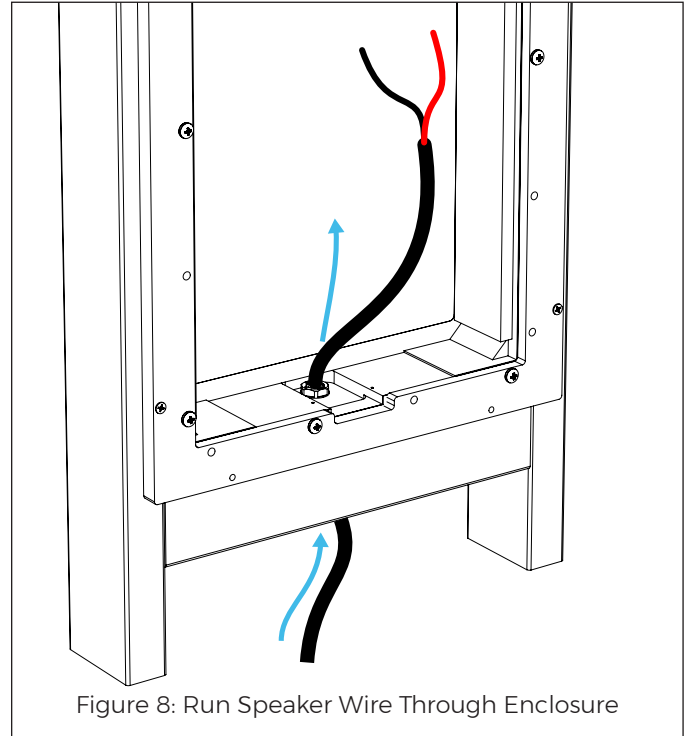


Figure 8: Run Speaker Wire Through Enclosure

Allow other trades to complete their work including wall board installation (see Figure 9). The bracket and enclosure will act as a space saver. The outside edge of the bracket may also be used as a wall board cutout guide by using a zip tool to cut the wall board around the bracket.

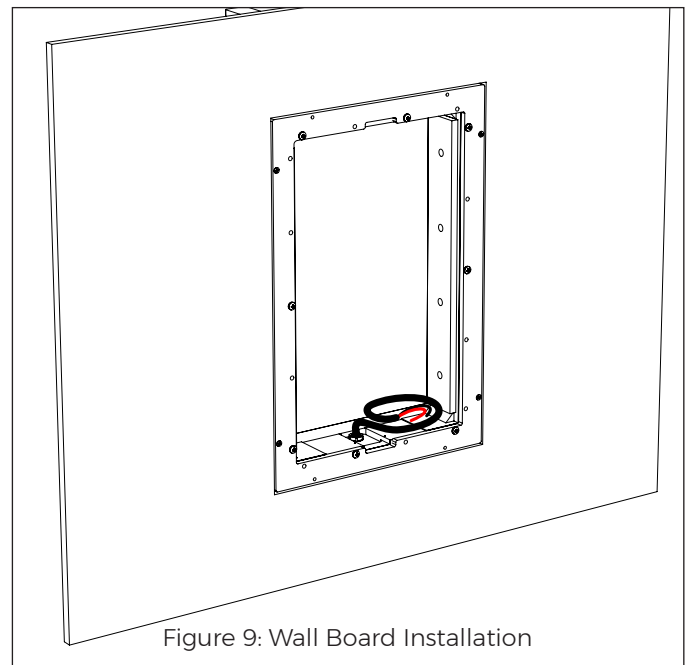
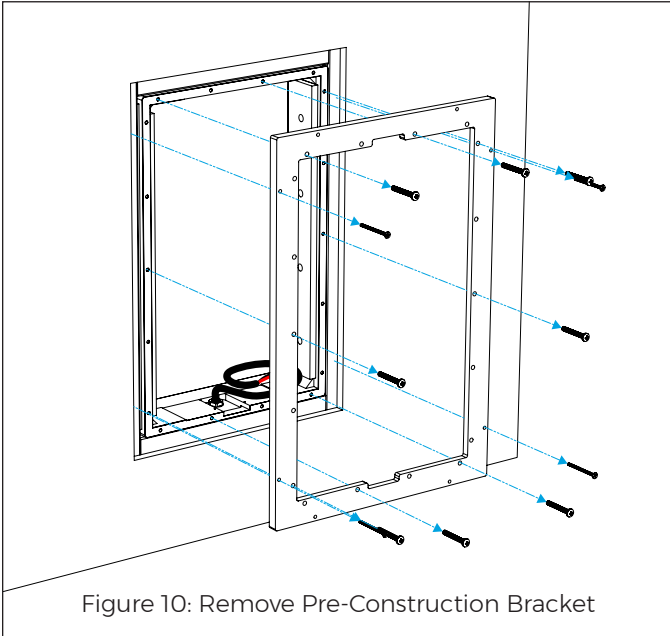


Figure 9: Wall Board Installation

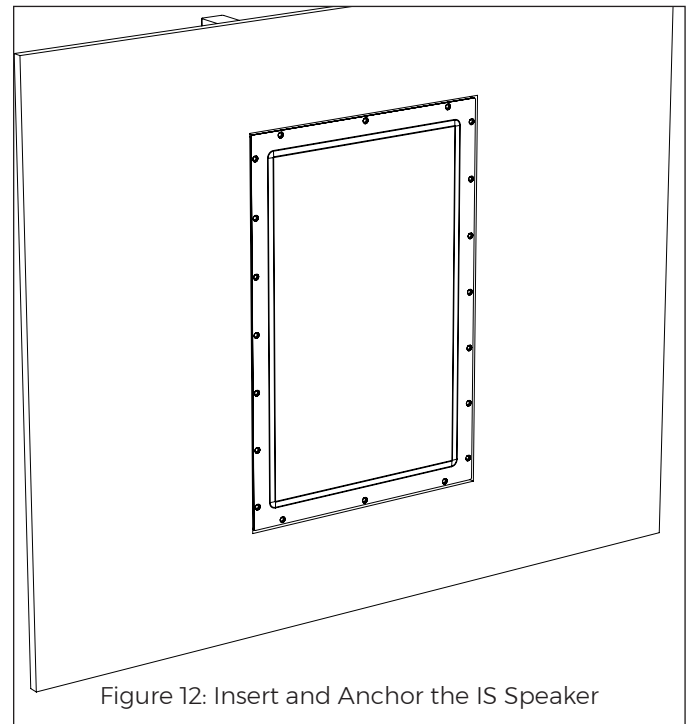
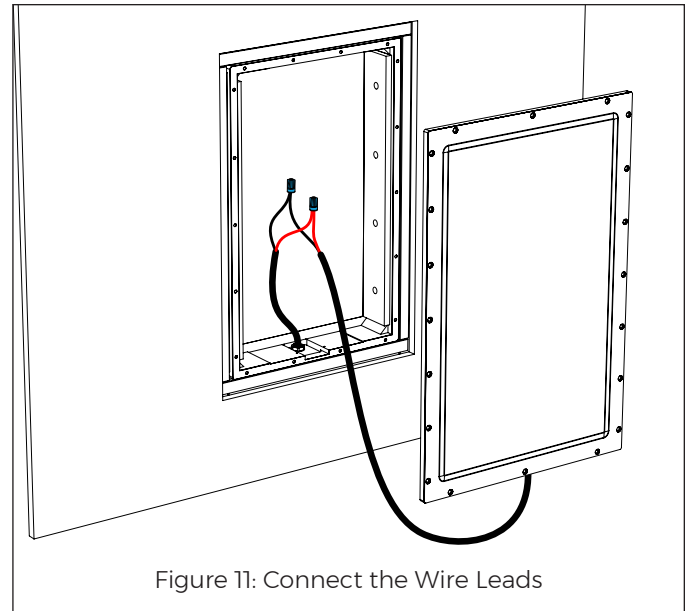
SPEAKER INSTALLATION

After the wall board is roughed in and before the finishing stage, remove the IS Pre-Construction Bracket by taking out all the outside screws used to tack the bracket to the framing and the 1/4-20 screws used to attach the bracket to the enclosure (see Figure 10). Do not remove the inner construction screws used to anchor the enclosure to the framing. Save the 1/4-20 screws so the IS Pre-Construction Bracket can be re-used.



IMPORTANT: Use the shims supplied with the Invisible Series Speakers if necessary to ensure the face of the IS Speaker is perfectly flush with the surface of the surrounding wall board. THIS STEP IS CRITICAL!

With the bracket removed, connect the wire leads from the IS Speaker to the pre-wired speaker wires inside the enclosure using wire nuts or level-lock style connectors (see Figure 11). Tuck the wiring out of the way to the side of the enclosure. Insert the IS Speaker into the enclosure and anchor the speaker to the framing, following the normal instructions for IS Speakers (see Figure 12).



FINISHING

Finishing the Invisible Series Speakers can be performed as usual from this stage forward. Refer to the finishing steps in the IS Speaker manual and carefully follow all steps.

LIMITED FIVE (5) YEAR WARRANTY

Sonance warrants to the first end-user purchaser that this Sonance-brand product (Sonance Invisible Series Pre-Construction Bracket) when purchased from an authorized Sonance Dealer/Distributor, will be free from defective workmanship and materials for the period stated below. Sonance will at its option and expense during the warranty period, either repair the defect or replace the Product with a new or remanufactured Product or a reasonable equivalent.

EXCLUSIONS: TO THE EXTENT PERMITTED BY LAW, THE WARRANTY SET FORTH ABOVE IS IN LIEU OF, AND EXCLUSIVE OF, ALL OTHER WARRANTIES, EXPRESS OR IMPLIED, AND IS THE SOLE AND EXCLUSIVE WARRANTY PROVIDED BY SONANCE. ALL OTHER EXPRESS AND IMPLIED WARRANTIES, INCLUDING THE IMPLIED WARRANTIES OF MERCHANTABILITY, IMPLIED WARRANTY OF FITNESS FOR USE, AND IMPLIED WARRANTY OF FITNESS FOR A PARTICULAR PURPOSE ARE SPECIFICALLY EXCLUDED.

No one is authorized to make or modify any warranties on behalf of Sonance. The warranty stated above is the sole and exclusive remedy and Sonance's performance shall constitute full and final satisfaction of all obligations, liabilities and claims with respect to the Product.

IN ANY EVENT, SONANCE SHALL NOT BE LIABLE FOR CONSEQUENTIAL, INCIDENTAL, ECONOMIC, PROPERTY, BODILY INJURY, OR PERSONAL INJURY DAMAGES ARISING FROM THE PRODUCT, ANY BREACH OF THIS WARRANTY OR OTHERWISE.

This warranty statement gives you specific legal rights, and you may have other rights which vary from state to state. Some states do not allow the exclusion of implied warranties or limitations of remedies, so the above exclusions and limitations may not apply. If your state does not allow disclaimer of implied warranties, the duration of such implied warranties is limited to period of Sonance's express warranty. Your Product Model and Description: Sonance Invisible Series Pre-Construction Bracket. Warranty Period for this Product: Five (5) years from the date on the original sales receipt or invoice or other satisfactory proof of purchase.

Additional Limitations and Exclusions from Warranty Coverage: The warranty described above is non-transferable, applies only to the initial installation of the Product, does not include installation of any repaired or replaced Product, does not include damage to allied or associated equipment which may result for any reason from use with this Product, and does not include labor or parts caused by accident, disaster, negligence, improper installation, misuse (e.g., overdriving the amplifier or speaker, excessive heat, cold or humidity), or from service or repair which has not been authorized by Sonance.

Obtaining Authorized Service: To qualify for the warranty, you must contact your authorized Sonance Dealer/Installer or call Sonance Customer Service at (949) 492-7777 within the warranty period, must obtain a return merchandise number (RMA), and must deliver the Product to Sonance shipping prepaid during the warranty period, together with the original sales receipt, or invoice or other satisfactory proof of purchase.

Warranty Process: Please follow the troubleshooting instructions in this manual or work with your Sonance dealer to determine the exact nature of the fault. Sonance provides a 5-Year Limited Warranty to the original owner with proof of purchase from an authorized Sonance dealer. The warranty does not cover shipping charges back to Sonance or the use of the product in an environment or application not approved by Sonance.

In order to initiate a warranty claim:

1. Contact Sonance Technical Support with a description of the fault, the amplifier's serial number and the date of purchase from an authorized Sonance dealer at: technicalsupport@sonance.com
2. Sonance Technical Support will follow-up and may request additional troubleshooting.
3. Once a determination has been made on the fault, Sonance Customer Service will follow-up by email. Please have a scanned copy of your Sonance Invisible Series Pre-Construction Bracket sales invoice ready to send upon request to document the speaker's warranty status.
4. Sonance Customer Service will provide an RMA number to be included on the shipping label of the packaging. Please send the speaker back in its original factory carton, which has been specifically designed to protect the speaker during transit.

Contact us at: <https://www.sonance.com/company/contact>

SONANCE

©2023 Sonance. All rights reserved. Sonance is a registered trademarks of Dana Innovations. Due to continuous product improvement, all features and specifications are subject to change without notice. For the latest Sonance product specification information visit our website: www.sonance.com

SONANCE · 991 Calle Amanecer · San Clemente, CA 92673 USA · PHONE: (949) 492-7777 · FAX: (949) 361-5151 · Technical Support: (949) 492-7777
11.10.2023

