




### Questions, problems, missing parts?

Before returning to your retailer, call our customer service at 1-800-887-6326  
Monday – Friday 9:00 a.m. – 5:00 p.m. CST

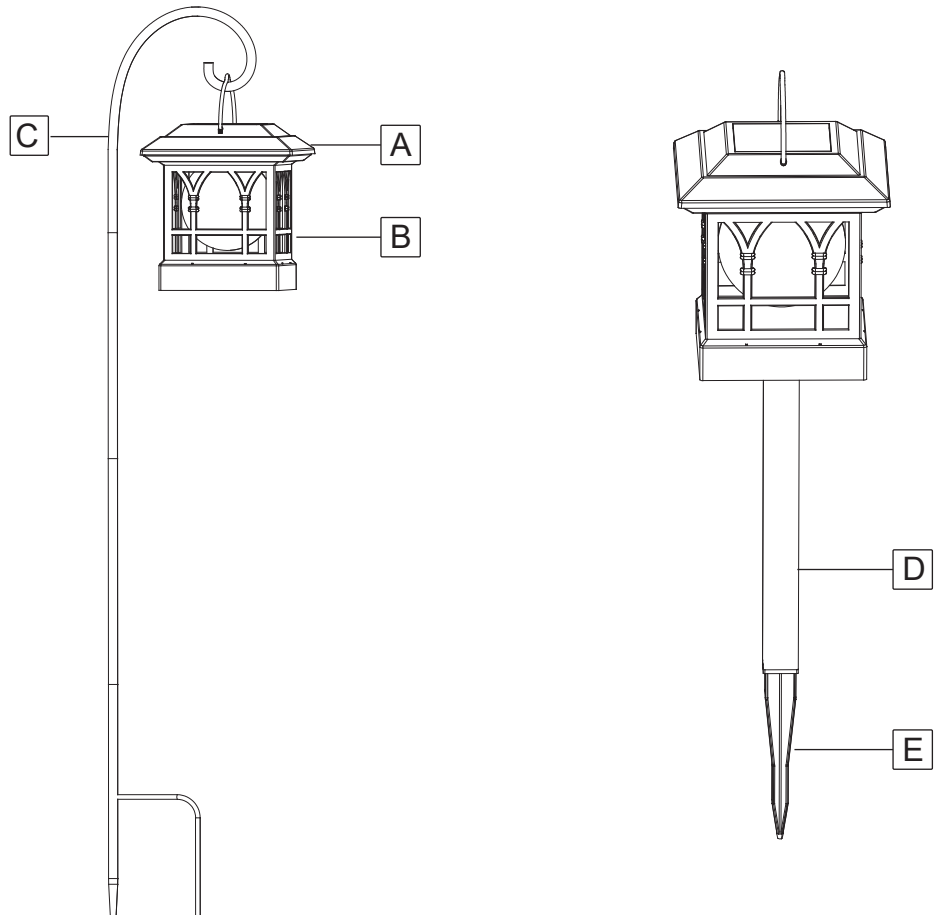
## PACKAGE CONTENTS

 Includes (1) AA 1000 mAh(1.2V) Ni-MH rechargeable battery.

**LED** The lifetime for LEDs is estimated to be 100,000 hours.

## REF. PARTS NAME

- A Solar Panel Unit**
- B Decorative Shade**
- C Shepherd's Hook**
- D Connection Tube**
- E Ground Stake**



**⚠ Read all instructions before assembly. Failure to do so may result in faulty assembly and potential injury.**

**FUNCTION:** The built-in solar panels convert sunlight into electricity. The rechargeable battery stores the energy and converts the power into light for use during the night. The overall performance and illumination hours of the solar light are largely dependent on the geographic location, weather and temperature conditions. Stronger and longer exposure to direct sunlight will maximize the stored energy in the battery and provide longer lighting hours.

**LOCATION:** It is important to select an outdoor location with full, direct sunlight where the solar panel can receive at least 8 hours of sunlight each day. Shady areas will not enable batteries to be fully charged. This will reduce the lighting hours at night. It is also important to avoid placing the solar light by light sources, such as street lights or porch lights, which may cause the solar light to turn off automatically. The solar light is designated for outdoor usage and ideal for night lighting of gardens, paths, etc.

**CLEANING AND MAINTENANCE:** Please use a damp cloth to clean the solar panel. Do not use any chemical or abrasive cleaner. It is important to ensure that no moisture enters into the solar light.

**RECHARGEABLE BATTERY:** This product contains (1) AA 1000 mAh(1.2V) Ni-MH rechargeable battery. When the battery expires, it must be recycled or disposed of properly. Please contact your local waste disposal authority for the correct procedure. Do not expose battery to fire.

## ASSEMBLY AND BATTERY REPLACEMENT INSTRUCTIONS

Mount on Shepherd's hook (Fig.1)

- Carefully remove your solar light from the box.
- Do not press on the surface of the solar panel because this can cause damage to solar module.
- The connection tubes of the shepherd's hook are assembled and then inserted into the ground.
- Hang the fixture (A) onto the shepherd's hook.

Can also be used with ground stake or by itself. (Fig.2 and Fig.3)

Never push the fixture into the ground by the fixture head.

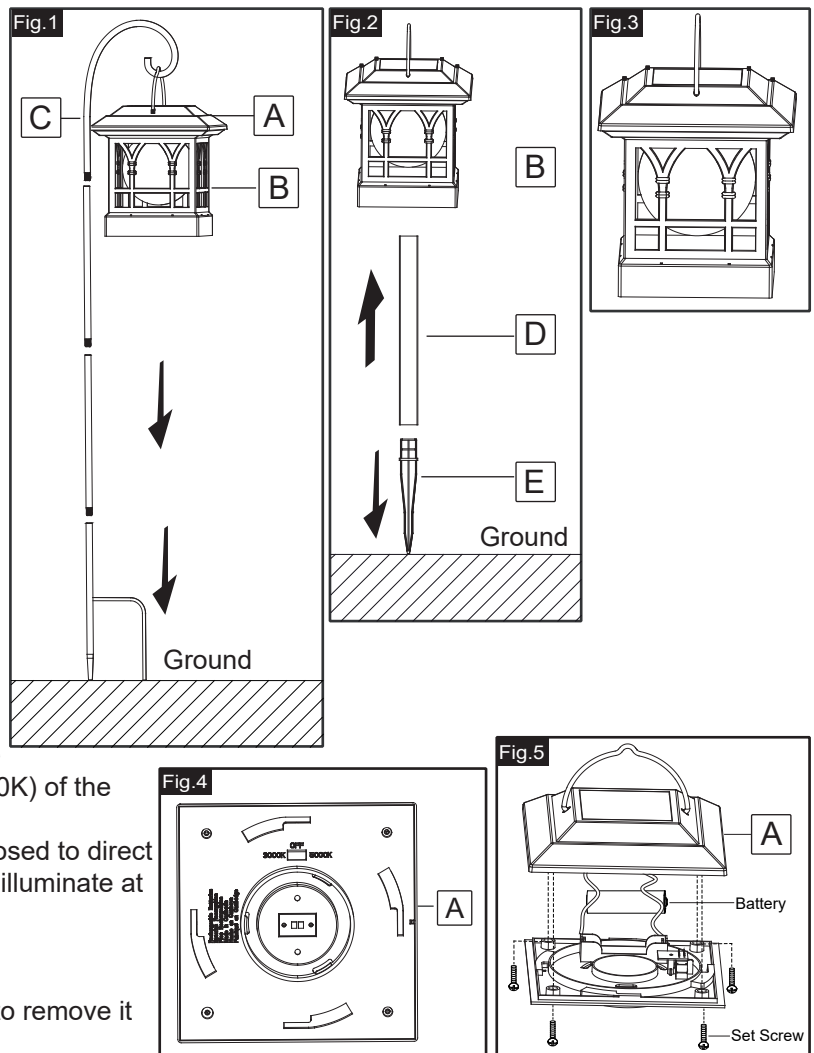
**CAUTION:** In compacted, clay, or hard soils, moisten the ground with water before inserting the stake into the ground to avoid breakage.

### OPERATIONAL INSTRUCTIONS (Fig.4)

- Rotate the solar panel unit (A) counterclockwise to remove it from the decorative shade (B) before using the fixture.
- The switch be set at "OFF" as default. Customize the correlated color temperature (3000K and 5000K) of the fixture by moving the switch.
- After assembly, make sure the solar panel is exposed to direct sunlight for 8 hours. The fixture will automatically illuminate at dusk.

### CHANGING BATTERIES (Fig.5)

- Rotate the solar panel unit (A) counterclockwise to remove it from the decorative shade (B).
- Unscrew the four set screws, careful open the cover of solar panel unit (A) .
- Replace the old battery with a new battery making sure the polarity is correct.
- Restore the cover.



## TROUBLESHOOTING

**If light does not work, please follow these troubleshooting steps:**

- ✓ Check the rechargeable battery and make sure that it is in contact to the metal plate and the polarity is correct. If the battery is worn out, replace the battery with (1) AA 1000 mAh(1.2V) Ni-MH rechargeable battery.
- ✓ Always keep the solar light distant from other night light sources, such as exterior lights. Reposition the light to avoid close contact with other night light sources.
- ✓ Make sure solar panel is clean and free of dirt and debris. If needed use a damp cloth to clean the solar panel. Do not use any chemical or abrasive cleaner. It is important to ensure that no moisture enters into the solar light.

**ONE-YEAR LIMITED WARRANTY:** If, during normal use, this PATRIOT LIGHTING® lighting fixture breaks or fails due to a defect in material workmanship within one (1) years from the date of original purchase, simply bring this lighting fixture with the original sales receipt back to your nearest MENARDS® retail store. At its discretion, PARTIOT LIGHTING® agrees to have the product or any defective part(s) repaired or replaced with the same or similar PATRIOT LIGHTING® product or part free of charge, within the stated warranty period, when returned by the original purchaser with original sales receipt. This warranty; (1) excludes expendable parts including but not limited to light bulbs and batteries; (2) does not cover damage that has resulted from abuse or misuse; and (3) does not cover any losses, labor, injuries to persons/property or costs. This warranty does give you specific legal rights and you may have other rights, which vary from state to state.



### Questions, problems, missing parts?

Before returning to your retailer, call our customer service at 1-800-887-6326.  
Monday – Friday 9:00 a.m. – 5:00 p.m. CST