



# BEVERAGE MERCHANDISER

*Model No.: SCR1505*



*Instruction Manual*

**BEFORE USE, PLEASE READ AND FOLLOW ALL SAFETY RULES AND OPERATING INSTRUCTIONS.**

*Write Serial No. (on back of unit) here:*

\_\_\_\_\_

**Felix Storch, Inc.  
770 Garrison Avenue  
Bronx, NY 10474  
[www.summitappliance.com](http://www.summitappliance.com)**

# TABLE OF CONTENTS

<b>Appliance Safety</b> .....	<b>3</b>
<b>Important Safeguards</b> .....	<b>3 - 4</b>
<b>Special Cautions</b> .....	<b>5</b>
<b>Location of Parts</b> .....	<b>6</b>
<b>Handling &amp; Transport</b> .....	<b>6</b>
<b>Unit Review &amp; Inspection</b> .....	<b>5</b>
<b>Installation Instructions</b> .....	<b>7 - 9</b>
Location .....	7
Installing Shelves .....	8
Electrical System .....	8 - 9
<b>Refrigeration &amp; Lighting System</b> .....	<b>9 - 10</b>
Temperature Control .....	10
Lighting .....	10
<b>User Maintenance</b> .....	<b>10 - 11</b>
Cabinet Cleaning .....	10
Condenser Cleaning .....	10
Cleaning the Compressor/Fan Compartment .....	11
Defrosting .....	11
Security Lock .....	11
Energy Saving Tips .....	11
<b>Troubleshooting</b> .....	<b>12</b>
<b>Limited Warranty</b> .....	<b>13 - 14</b>



## APPLIANCE SAFETY

**Your safety and the safety of others are very important.**

We have provided many important safety messages in this manual and on your appliance. Always read and obey all safety messages.



This is the Safety Alert Symbol. The symbol alerts you to potential hazards that can kill or injure you and others. All safety messages will follow the Safety Alert Symbol and either the words "DANGER" or "WARNING".



Danger means that failure to heed this safety statement may result in severe personal injury or death.



Warning means that failure to heed this safety statement may result in extensive product damage, serious personal injury, or death.

All safety messages will alert you about the potential hazard, tell you how to reduce the chance of injury, and let you know what can happen if the instructions are not followed.

---

## IMPORTANT SAFEGUARDS



Before the appliance is used, it must be properly positioned and installed as described in this manual, so read the manual carefully. To reduce the risk of fire, electrical shock or injury when using the appliance, follow basic precautions, including the following:



- Plug into a grounded 3-prong outlet, do not remove grounding prong, do not use an adapter, and do not use an extension cord.
- Replace all panels before operating.
- It is recommended that a separate circuit serving only your appliance be provided. Use receptacles that cannot be turned off by a switch or pull chain.
- Never clean appliance parts with flammable fluids. These fumes can create a fire hazard or explosion. And do not store or use gasoline or other flammable vapors and liquids in the vicinity of this or any other appliance. The fumes can create a fire hazard or explosion.
- Before proceeding with cleaning and maintenance operations, make sure the power line of the unit is disconnected.

- Do not connect or disconnect the electric plug when your hands are wet.
- Unplug the appliance or disconnect power before cleaning or servicing. Failure to do so can result in electrical shock or death.
- Do not attempt to repair or replace any part of your appliance unless it is specifically recommended in this manual. All other servicing should be referred to a qualified technician.

## **WARNING**

FOLLOW WARNING CALLOUTS BELOW ONLY WHEN APPLICABLE TO YOUR MODEL

- Use two or more people to move and install appliance. Failure to do so can result in back or other injury.
- To ensure proper ventilation for your appliance, the front of the unit must be completely unobstructed. Choose a well-ventilated area with temperatures above 60°F (16°C) and below 80.6°F (27°C). This unit must be installed in an area protected from the elements, such as wind, rain, water spray or drips.
- The appliance should not be located next to ovens, grills or other sources of high heat.
- The appliance must be installed with all electrical, water and drain connections in accordance with state and local codes. A standard electrical supply (115 V AC only, 60 Hz), properly grounded in accordance with the National Electrical Code and local codes and ordinances, is required.
- Do not kink or pinch the power supply cord of the appliance.
- The size of the fuse (or circuit breaker) should be 15 amperes.
- It is important that the appliance be leveled in order to work properly. You may need to make several adjustments to level it.
- All installations must be in accordance with local plumbing code requirements.
- Make certain that the pipes are not pinched, kinked or damaged during installation.
- Check for leaks after connection.
- Never allow children to operate, play with or crawl inside the appliance.
- Do not use solvent-based cleaning agents or abrasives on the interior. These cleaners may damage or discolor the interior.
- Use this appliance only for its intended purpose as described in this *Instruction Manual*.
- Keep fingers out of the “pinch point” areas. Clearances between the door and cabinet are necessarily small. Be careful closing doors when children are in the area.

## **DANGER**

### ***Risk of child entrapment!***

Child entrapment and suffocation are not problems of the past. Junked or abandoned appliances are still dangerous, even if they will “just sit in the garage a few days”.

*Before discarding your old refrigerator:*

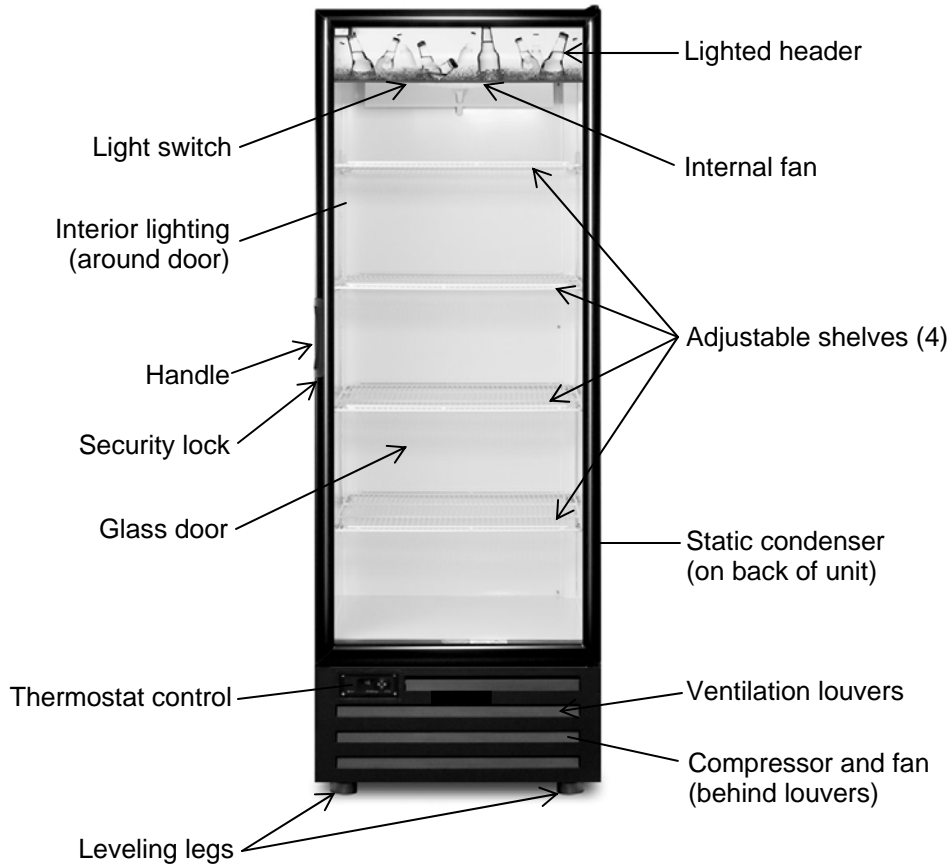
- *Take off the doors*
- *Leave the shelves in place so that children may not easily climb inside.*

**- SAVE THESE INSTRUCTIONS -**

## SPECIAL CAUTIONS

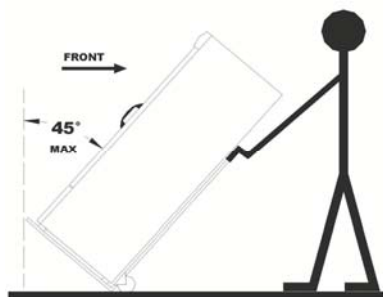
- **DO NOT** step on the front louver panel of your unit or use it as a step.
- **ONLY** use polarized plugs to plug in your unit.
- **DO NOT CUT OR REMOVE** the ground connection on the electrical cable.
- **CHECK** that the electrical system is grounded **BEFORE** plugging in refrigerator for the first time.
- The polyurethane in your unit contains cyclopentane gas as a foaming agent. When repairing, **DO NOT** use other types of polyurethane or mix the existing polyurethane with other types. SUMMIT is not responsible for changes in the refrigerator if repairs are made by the user or unauthorized technicians. Contact an authorized distributor for repair information.
- **DO NOT** place hands or other objects in the front louvers, rear grating or the fan guard while in operation. This can cause personal injury and/or damage unit.
- **BEFORE** removing the front louver panel for maintenance and cleaning, **DISCONNECT** the unit's power supply to avoid accidents which may be caused by the oscillation of the blade of the fan motor.
- **KEEP HANDS AWAY** from door pivot when door is open.
- Before loading refrigerator, **CHECK** that shelves are fixed and have the number of supports indicated for your model in the *Instruction Manual*.
- **CHECK** that the front louver panel and rear grating are in place before plugging in unit.
- **DO NOT** place chemical substances (solvents, reagents) or food in this refrigerator. This equipment is intended for the storage and display of non-potentially hazardous bottled or canned products only.
- This equipment is intended to be located in the **CONSUMER** shopping areas of a retail **FOOD** store, if the floor under the unit is maintained clean.
- **DO NOT** balance or tip unit at more than a 45° angle without the supervision of authorized personnel. Severe injury can occur.
- **DO NOT** try to repair unit by yourself. Always consult your authorized distributor for service.
- **BEFORE** reporting a problem with your SUMMIT refrigerator, check the plug and fuses or circuit breaker. If this is not the cause of the problem, call your distributor immediately so a technician can be sent.
- The unit's cooling capacity will decrease if:
  - It is open for long periods,
  - Excessive amounts of product are stored in it.**THIS WILL OVERLOAD UNIT AND INCREASE MALFUNCTION RISK.**

## LOCATION OF PARTS

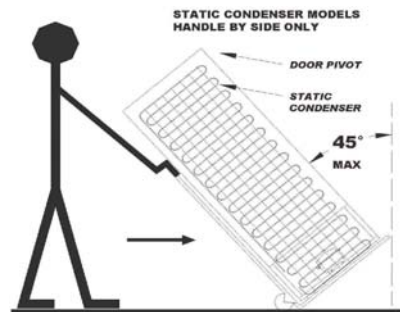


## HANDLING & TRANSPORT

DO NOT MOVE UNIT WITH PRODUCT INSIDE as loose product can break, spill, damage the appliance, etc.



DO NOT TIP UNIT AT MORE THAN A 45° ANGLE. DO NOT EXPOSE TO SUNLIGHT OR STORE AT TEMPERATURES HIGHER THAN 131°F (55°C).



WHEN HANDLING STATIC CONDENSER MODELS SUCH AS THIS, MAKE SURE THAT DOOR PIVOT IS LOCATED AS SHOWN IN FIGURE ABOVE.

## UNIT REVIEW & INSPECTION

This refrigerator was completely inspected before leaving the factory. Check for signs of damage when the unit is received. If there is any damage, contact your authorized distributor or manufacturer immediately. Check that the following accessories are included with your refrigerator:

- 4 wire shelves (packed in plastic wrap inside unit cabinet)
- 16 shelf clips (packed separately in a plastic bag inside the cabinet)

## INSTALLATION INSTRUCTIONS

This model is designed for interior use at a maximum operation temperature of 80.6°F (27°C) and 55% humidity. It is meant to be free-standing and not built into an enclosure.

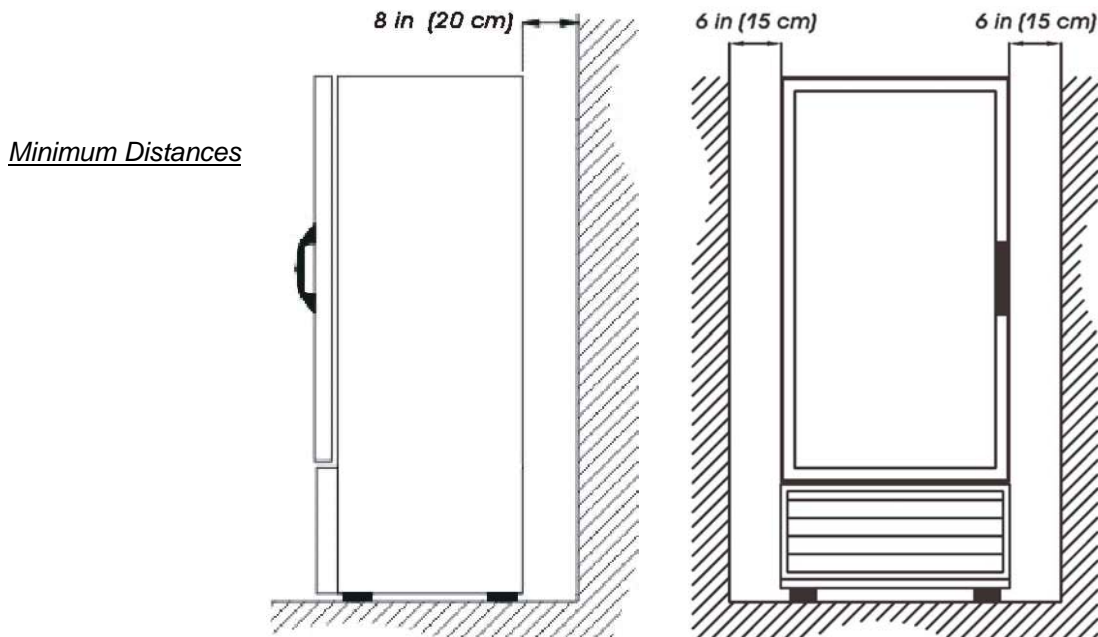
Do not place the unit near heat sources such as stoves, grills, radiators, etc. and do not place in areas where direct sunlight may reach the unit.

**CAUTION:** This appliance is designed for storing and cooling beverages and drinks. Do not store perishable food, medicine or other medical products.

### LOCATION

It is recommended that the rear portion and both sides of your refrigerator be at least 8 inches and 6 inches from the wall respectively, to allow air flow to the compressor and improve heat transfer.

Place your refrigerator on a level surface.

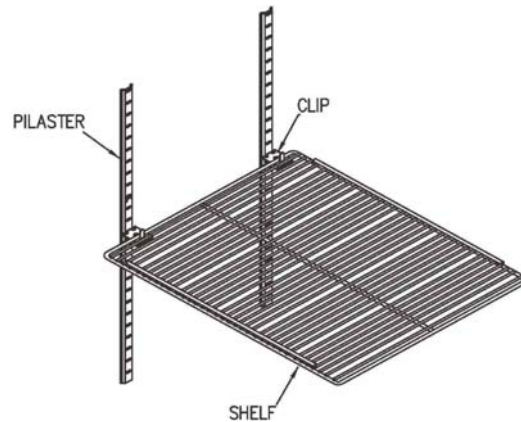


Once the unit is installed, check that it is level. If necessary, use the two front legs to adjust the height of the unit.

## **INSTALLING SHELVES**

Your refrigerator contains 4 wire shelves and 16 shelf clips.

To install shelves, first place the shelf clips in the slots in the pilasters in the cabinet interior. Use the numbers on the pilasters as a guide in placing the clips at the same distance from the cabinet floor, with the tab pointing up as shown. Once all clips are in place, install the shelves by placing them on the clips, with the outside bar of the shelf on the inside of the clip tabs. Keep all product inside the limits of the shelves. These allow airflow and should not be blocked when product is stocked in the unit.



**CAUTION:** DO NOT STOCK PRODUCT UNTIL SHELVES ARE CORRECTLY INSTALLED IN THE UNIT WITH SHELF CLIPS.



**IMPORTANT:** TO AVOID ACCIDENTS WHEN CLEANING INSIDE OF UNIT, FIRST REMOVE SHELVES AND SHELF CLIPS.

## **ELECTRICAL SYSTEM**

Proper electrical installation is required for your refrigerator to function correctly and to prolong the useful life of electrical parts and compressor.



### **BEFORE CONNECTING UNIT FOR FIRST TIME:**

Verify that line voltage does not fluctuate more than 10% above the nominal value of 115 V, 60 Hz.

**DO NOT** use extension cords.

**DO NOT** connect refrigerator to multiple plugs or plugs with another appliance connected.

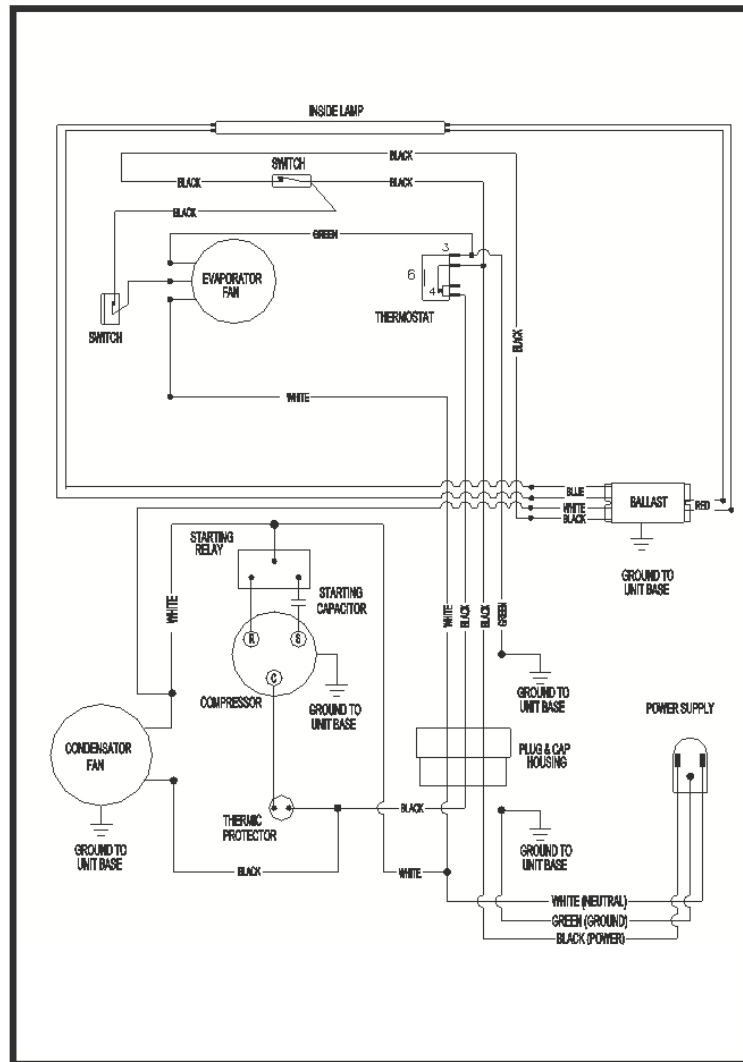
The unit **MUST** be plugged into a grounded socket.



### **IMPORTANT:**

- Do not try to repair any portion of the electrical system yourself. Contact the nearest authorized service center.
- The unit must be grounded.
- Ignoring any of the precautions in this manual invalidates the Warranty.
- The unit must be connected to a circuit breaker with a 15-ampere fuse and installed with a minimum 14-caliber wire.

## Wiring Diagram for model SCR1505:



## REFRIGERATION & LIGHTING SYSTEM

The compressor in your SUMMIT refrigerator is designed to function silently. **DO NOT** plug in the unit immediately after moving it or changing its position. Allow a minimum of 1 hour for the pressures inside the refrigeration system to equalize and the oils in the compressor to settle. After plugging the unit in, let it run for one more hour without load or product. The refrigerator may then be loaded.



**DO NOT TOUCH THE COMPRESSOR TOP COVER** while unit is running. It is designed for high operational temperatures and its surface can become very hot, which may cause burns. (The compressor is located at the bottom of the refrigerator, behind the front louvers.)



## **TEMPERATURE CONTROL**

The temperature is controlled by a thermostat which is located on the left side of the ventilation louvers, below the door. The thermostat has been factory-set to keep the product between 37.4 and 44.6°F (3 and 7°C). At night, or during long periods of inactivity, the appliance goes into an energy-saving mode, which keeps the temperature between 42.8 and 50.0°F (6 to 10°C).

If it is necessary to readjust the thermostat, please call our toll-free Customer Service number at **800-932-4267** between 9:00 AM and 5:00 PM Eastern time.

## **LIGHTING**

Cabinet lighting is designed to function continuously or may be controlled with a switch, located inside the unit to the left of the internal fan in the ceiling. See Wiring Diagram on page 8. Fluorescent lighting surrounds the glass on the interior side of the door. Additionally, the header panel above the door is backlit.

### **NOTE:**

- If the unit is unplugged, or power is lost or turned off, you must wait 3 to 5 minutes before restarting the unit. If you attempt to restart before this time delay, the unit will not start.
- When you use the unit for the first time or restart the unit after it has been shut off for a long time, allow a few hours for the interior temperature to normalize.

## **USER MAINTENANCE**

For better performance and user convenience, this refrigerator has been designed to function with the least possible maintenance and to provide optimal energy consumption and serviceability. It is recommended, however, that the unit be kept clean and that the following preventative maintenance be performed.

### **CABINET CLEANING**

- Turn off the power, unplug the appliance, and remove all items, including shelves and shelf clips.
- Wash the inside surfaces with a solution of warm water and baking soda (about 2 tablespoons of baking soda to a quart of water). Once the cabinet interior is clean, dry it with a clean, dry cloth.
- Wash the shelves with a mild detergent solution, then dry them.
- Wring excess water out of the sponge or cloth when cleaning the area where the controls are located, or any electrical parts.
- Wash the outside cabinet with warm water and mild liquid detergent. Rinse well and wipe dry with a clean soft cloth.
- Do not use steel wool or a steel brush on stainless steel.

NOTE: Do not use alcohol derivatives or thinner to clean the cabinet.



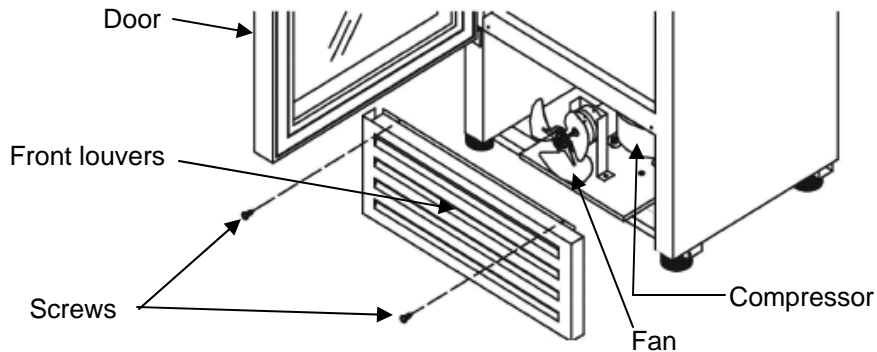
**CAUTION:** Failure to unplug the appliance during cleaning could result in electrical shock or other personal injury.

### **CONDENSER CLEANING**

Disconnect the refrigerator's power supply before cleaning. The static condenser (on back of unit) should be cleaned every 12 months for optimum performance. Use a soft-bristle brush to remove excess dust to improve heat transfer to the surrounding air.

## CLEANING THE COMPRESSOR / FAN COMPARTMENT

The compressor and fan are located behind the front louvers of the appliance.



To clean the compartment behind the front louvers,

- 1. Disconnect the power supply to the appliance.**
2. Remove the two screws, as shown above.
3. Lift the front louver panel, then pull it toward you, being careful not to disconnect any attached wiring.
4. Clean the area with a damp cloth, then dry it.
5. Replace the louver panel and screw it back into place.
6. Reconnect power to the appliance.

## DEFROSTING

It is not necessary to defrost your refrigerator. This is done automatically, using a forced-air system.

There is a defrost water evaporation pan in the compartment below the main cabinet. A hot gas line from the compressor passes through this pan and evaporates the water. Check occasionally that the drain hose is always inside the evaporation pan.

## SECURITY LOCK

Your unit is provided with a lock and key combination. The lock may be found on the door frame, just below the door handle. The keys are located inside the plastic bag that contains the *Instruction Manual*. After a key has been used, remove it and put it in a secure place for safekeeping.

## ENERGY SAVING TIPS

- DO NOT DISCONNECT UNIT AT NIGHT. Reconnecting next day will increase energy consumption.
- DO NOT keep the door open any longer than necessary.
- DO NOT OVERLOAD UNIT. Allow free air flow inside refrigerator.
- DO NOT PLACE HEAVY AND/OR LARGE OBJECTS INSIDE UNIT.
- It is important not to block air flow inside the refrigerator. Remember that it is designed exclusively for cooling bottles and cans.
- The appliance should be located in the coolest area of the room, away from heat-producing appliances and out of direct sunlight.
- Ensure that the unit is adequately ventilated. Never cover air vents.
- DO NOT PLACE FOODS IN REFRIGERATOR. The forced air system will absorb their moisture.

## TROUBLESHOOTING

You can solve many common problems easily, saving you the cost of a possible service call. Try the suggestions below to see if you can solve the problem before calling the servicer.

### Troubleshooting Guide

PROBLEM	POSSIBLE CAUSE
The unit does not operate.	Not plugged in. Voltage is outside specifications. Tripped circuit breaker or blown fuse.
The unit is not cold enough.	Voltage is outside specifications. Interior air flow is blocked. There is a nearby heat source. The door is opened too often. The door is not closed completely. The door gasket does not seal properly. Condenser needs cleaning.
Turns on and off frequently.	There is a nearby heat source. Interior air flow is blocked. A large amount of product has been added to the beverage merchandiser. The door is opened too often. The door is not closed completely. The door gasket does not seal properly. Condenser needs cleaning.
The light does not work.	Not plugged in. Tripped circuit breaker or blown fuse. The light switch is OFF.
Ice forms on evaporator.	High relative humidity in environment. The door is not closed properly. The door is opened too often or for too long. Interior air flow is blocked.
Vibrations	Appliance is not level. Fan blades are out of balance. Tubes or moving parts are grazing metallic parts.
The unit seems to make too much noise.	The rattling noise may come from the flow of the refrigerant, which is normal. As each cycle ends, you may hear gurgling sounds caused by the flow of refrigerant in the unit. Contraction and expansion of the inside walls may cause popping and crackling noises. The appliance is not level.
The door will not close properly.	The appliance is not level. The gasket is dirty. The shelves are out of position.
Excessive condensation in interior and on door.	High relative humidity in environment. The door is not closed properly. The door is opened too often or for too long.

## LIMITED WARRANTY

### **PARTS AND LABOR WARRANTY INFORMATION**

SUMMIT Appliances are manufactured to provide outstanding value, and your satisfaction is our goal on every product. All SUMMIT major appliances carry a one year limited warranty on both parts and labor. All refrigerators and freezers carry an additional four years on the compressor. Certain exclusions may apply.

Certain models (including SUMMIT ranges, wall ovens, and cook tops) are manufactured for us in the U.S. and carry the manufacturer's warranty (also one year parts and on-site labor).

For details on specific warranty issues, please refer to the warranty packed with the product, or contact us.

### **GENERAL PARTS AND LABOR WARRANTY**

SUMMIT warrants, to the original purchaser of every new unit, the cabinet and all parts thereof, to be free from defects in material or workmanship, under normal and proper use and maintenance service as specified by SUMMIT and upon proper installation and start-up in accordance with the instruction packet supplied with each SUMMIT unit. SUMMIT's obligation under this warranty is limited to a period of 12 months from the date of original purchase.

Any parts covered under this warranty that are determined by SUMMIT to have been defective, within the above said period, are limited to the repair or replacement, including labor charges, of defective parts or assemblies. The labor warranty shall include pre-approved standard straight time labor charges only and reasonable travel time, as determined by SUMMIT.

### **COMPRESSOR WARRANTY**

In addition to the warranty period stated above, SUMMIT warrants its hermetically sealed compressor to be free from defects in both material and workmanship, under normal and proper use and maintenance, for a period of 60 months from the date of original purchase. Compressors determined by SUMMIT to have been defective within this extended time period will, at SUMMIT's option, be either repaired or replaced with a compressor or compressor parts of similar design and capacity. The above said extended compressor warranty applies only to hermetically sealed parts of the compressor and DOES NOT apply to any other parts or components, including, but not limited to, cabinet, paint finish, temperature control, refrigerant, metering device, driers, motor starting equipment, fan assembly, or any other electrical component, etc.

### **WARRANTY CLAIMS**

All claims for labor or parts must be made directly through SUMMIT. All claims should include: model number of the unit, the serial number of the cabinet, proof of purchase, date of installation, and all pertinent information supporting the existence of the alleged defect. In case of compressor warranty, the compressor model tag must be returned to SUMMIT along with the above listed information. All claims should be filed within 30 days of completed repair or the warranty claim could be refused.

### **THINGS NOT COVERED BY THIS WARRANTY**

SUMMIT's sole obligation under this warranty is limited to either repair or replacement of parts, subject to the additional limitations below. This warranty neither assumes nor authorizes any person to assume obligations other than those expressly covered by this warranty.

- **NO CONSEQUENTIAL DAMAGES:** SUMMIT is not responsible for economic loss; profit loss; or special, direct, indirect, or consequential damages, including without limitation, losses or damages arising from food or product spoilage claims whether or not on account of refrigeration failure.
- **WARRANTY IS NOT TRANSFERRABLE:** This warranty is not assignable and applies only in favor of the original purchaser/user to whom delivered. Any such assignment or transfer shall void the warranties herein made and shall void all warranties, express or implied, including any warranty of merchantability or fitness for a particular purpose.

- **IMPROPER USE:** SUMMIT assumes no liability for parts or labor coverage for component failure or other damages resulting from improper usage or installation or failure to clean and/or maintain product as set forth in the warranty packet provided with the unit.
- **ALTERATION, NEGLIGENCE, ABUSE, MISUSE, ACCIDENT, DAMAGE DURING TRANSIT OR INSTALLATION, FIRE, FLOOD, ACTS OF GOD:** SUMMIT is not responsible for the repair or replacement of any parts that SUMMIT determines have been subjected after the date of manufacture to alteration, neglect, abuse, misuse, accident, damage during transit or installation, fire, flood, or act of God.
- **IMPROPER ELECTRICAL CONNECTIONS:** SUMMIT is not responsible for the repair or replacement of failed or damaged components resulting from electrical power failure, the use of extension cords, low voltage, or voltage drops to the unit.
- **NO IMPLIED WARRANTY OF MERCHANTABILITY OR FITNESS FOR A PARTICULAR PURPOSE:** There are no other warranties, expressed, implied or statutory, except the parts & labor warranty and the extended compressor warranty specifically described above. These warranties are exclusive and in lieu of all other warranties, including implied warranty and merchantability or fitness for a particular purpose. There are no other warranties which extend beyond the description on the face hereof.
- **OUTSIDE CONTIGUOUS UNITED STATES:** This warranty does not apply to, and SUMMIT is not responsible for, any warranty claims made on products sold or used outside the Contiguous (48) United States. To be clear, this warranty excludes the states of Alaska and Hawaii and all off-shore territories.

#### **REQUESTING SERVICE**

If you are in need of service, please either fill out a service request on our website, <http://www.summitappliance.com/support>, or call us at 800-932-4267 or 718-893-3900. Please be prepared to give us the following information: your name, address, phone, email, model, serial, date of purchase, place of purchase, and the problem you are having.



#### **FELIX STORCH, INC.**

770 Garrison Avenue  
Bronx, NY 10474

**TEL** 718-893-3900

**FAX** 718-842-3093

✉ [info@summitappliance.com](mailto:info@summitappliance.com)

**[www.summitappliance.com](http://www.summitappliance.com)**

**WARNING!** This product may contain chemicals known to the state of California to cause cancer or birth defects or other reproductive harm. For more information, visit: [www.summitappliance.com/prop65](http://www.summitappliance.com/prop65)

Chemicals known by the manufacturer to be present in this product in concentrations higher than threshold limits: NONE.

