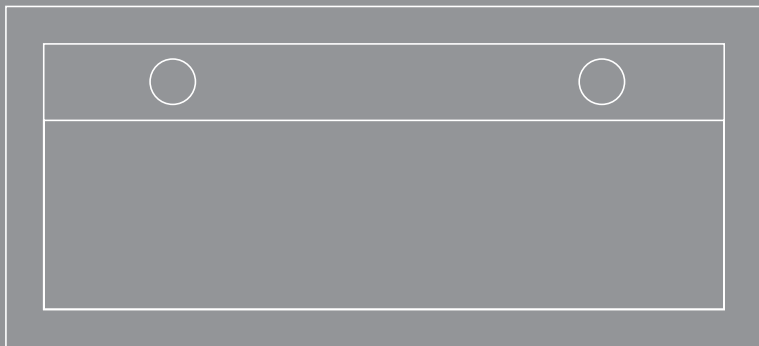


# Euromaid

## User Manual

### Off Board T-Shape Canopy Rangehoods INLC60 & INLC90



## Product/Installer details

For future reference we suggest that you staple a copy of your purchase receipt here and complete the below so the information is always at hand.

### Product Details

Model number: \_\_\_\_\_

Description: \_\_\_\_\_

Serial number: \_\_\_\_\_

*(Located on the product rating label)*

### Purchase Details

Date of purchase: \_\_\_\_\_

Place of purchase: \_\_\_\_\_

Store name: \_\_\_\_\_

Address: \_\_\_\_\_

Telephone: \_\_\_\_\_

Invoice/receipt number: \_\_\_\_\_

### Installation Details

**Electrical** date of installation: \_\_\_\_\_

**Electrician** Installers Details: Company/Installers Name: \_\_\_\_\_

Licence Number: \_\_\_\_\_

Telephone Number: \_\_\_\_\_

**Gas** date of installation: \_\_\_\_\_

**Gas** installers details: Company/Installers Name: \_\_\_\_\_

Licence Number: \_\_\_\_\_

Telephone Number: \_\_\_\_\_

**Plumbing** date of installation: \_\_\_\_\_

**Plumbers** installers details: Company/Installers Name: \_\_\_\_\_

Licence Number: \_\_\_\_\_

Telephone Number: \_\_\_\_\_

Dear Customer,

Congratulations on the purchase of your new product from Home Appliances Pty Ltd.

We recommend you please take some time to read the instruction manual thoroughly to familiarise yourself with the functionality and operations to ensure optimum performance of your new appliance.

After reading the manual, please store it in a safe and accessible location for future reference.

## **Installation**

The installation of your new appliance must be carried out by a qualified installer/technician in accordance to local regulations.

The packaging of your appliance has been selected from environmentally friendly materials and can usually be recycled. Please ensure these are disposed of correctly.

## **Customer Care**

Our Customer Care centre is available should you wish to learn more about your appliance in relation to how to use it to its best potential, or tips on cleaning as well as available accessories.

For further details please contact our Customer Care team on **1800 444 357** or email: **customer care@hapl.com.au**

Thank you

Regards,  
Home Appliances

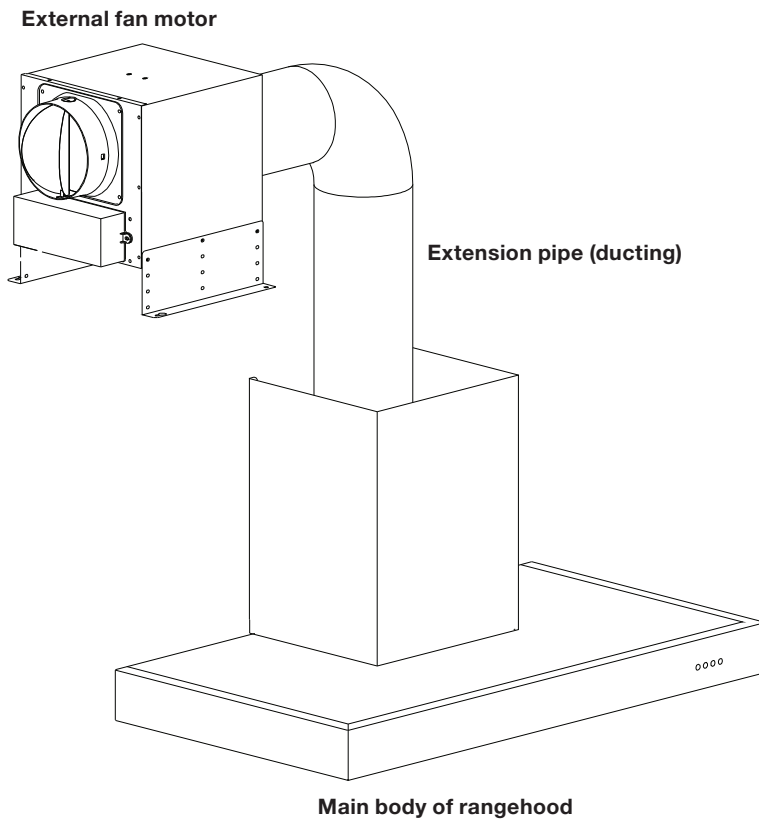


# Contents

Notice	1
Safety Warnings	2
Caution	3
Features	4
Schematic Diagram	5
Installation	6
Operation	9
Maintenance	10
Bulb Replacement	11
Troubleshooting and Possible Solutions	12
Supplied Accessories	13
HAPL Ducting Kit Solutions	14

# Notice

1. Thank you for choosing your Euromaid Off-Board Canopy Rangehood. Please read the instruction manual carefully before use.
2. The installation work must be undertaken by a qualified and competent installer.
3. The manufacturer disclaims all liability for any damage or injury caused as a result of not following the instructions for the installation and or operation contained within this instruction manual.
4. The Rangehood operates on 220/240V, 50Hz.



# Safety Warnings

- Please ensure that children do not use the Rangehood.
- Your Rangehood is for domestic use only, not suitable to be used with barbeque, or any commercial applications.
- Any installation work must be carried out by a trained qualified electrician and or an experienced installer.
- The Rangehood and its filter mesh should be cleaned regularly to keep them in good working order.
- Before cleaning your Rangehood, please always ensure that the power has been switched off.
- Clean the Rangehood according to the instruction manual to ensure its longevity.
- If there is any fault with your Rangehood, please contact our service department for assistance (1800 444 357).
- Please ensure the room has sufficient ventilation when operating this Rangehood with a gas hob.
- Do not flambé under the Rangehood
- The exhaust air from the Rangehood must not be discharged into any existing flue which may carry combustion or fumes from any other sources such as kitchen appliances etc.
- Before installation and usage, please read the instructions and make sure that the voltage (V) and the frequency (Hz) indicated on your Rangehood are the same as the voltage (V) and the frequency (Hz) in your home.
- To get the most out of your Rangehood, please read the instruction manual before installing & using, and keep it in a safe place.
- Please ensure that the warranty card and purchase receipt for your Rangehood are kept in a safe place if you require service assistance.

## Caution

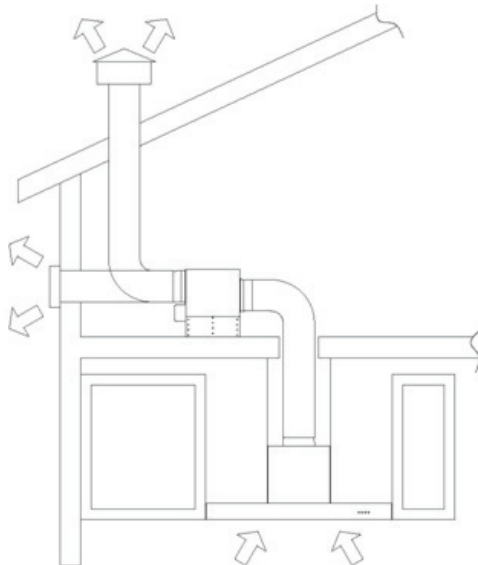
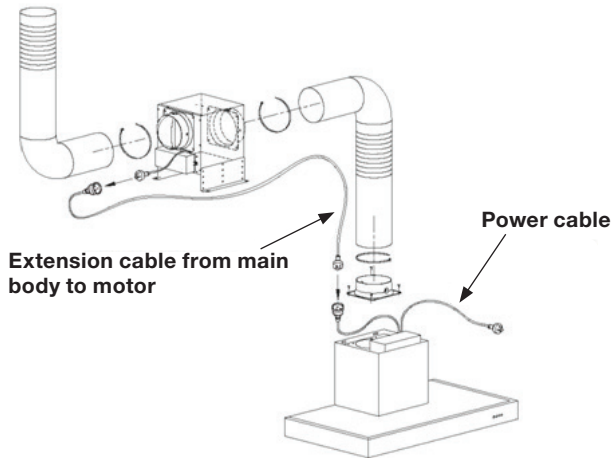
- Exhaust air must be discharged in accordance with the local regulations, it is recommended that a suitable ducting kit should be used.
- Accessible parts may become hot when used with cooking appliances.
- This Rangehood is not intended for used by persons (including children) with reduced physical, sensory or mental capabilities, or lack of experience and knowledge, unless they have been given supervision or instruction concerning use of the appliance by a person responsible for their safety.
- Children should be supervised to ensure that they do not play with the Rangehood.
- If the power cord is damaged, it must be replaced by a recommended service agent to avoid a hazard.

## Features

- This Rangehood is designed to reduce the noise level within the kitchen by utilising a separate fan motor that is positioned in the roof cavity of your home. The motor is designed to be fixed in a suitable and secure position.
- This Rangehood uses high quality materials, Stainless steel construction with easy to operate controls and is made with a streamlined design.
- Equipped with a large power low noise electric motor and centrifugal fan, it produces strong suction and low noise.
- With the isolated low voltage circuit board control, 12vAC input, the lights are therefore safer.

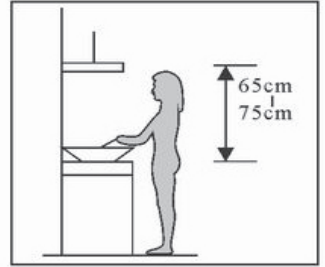
## Schematic Diagram

1. The main body and the external motor are connected by the supplied 4 metre extension cable. A separate cable is plugged into the power.
2. The supplied 3 metre extension ducting will connect the main body and external motor, and cooking residues will be extracted and discharged to outside via a ducting kit.

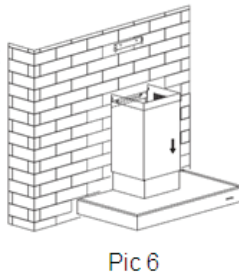
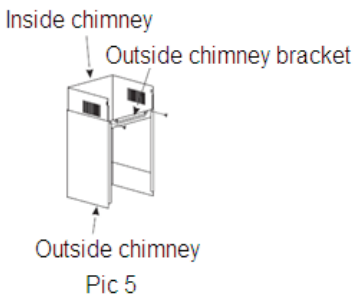
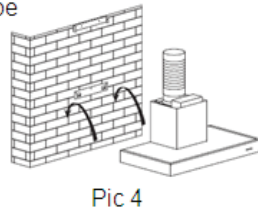
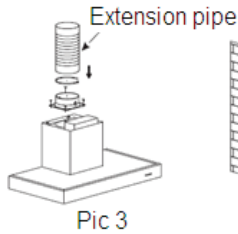
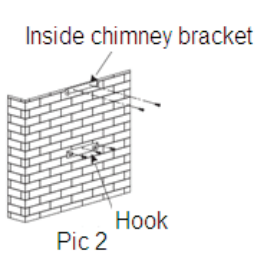


# Installation

1. The Rangehood should be placed at a distance of 65-75cm from the cooking surface for the best result. See Pic 1.
2. Install the anchor hook to the wall at the required position once the installation height is fixed, and keep it level. The fixed position of the inside chimney bracket is where the top of the chimney will be fixed. See Pic 2.
3. Install the 150mm outlet by ST4\*8mm screws (supplied), and fix the extension pipe (ducting), see Pic 3.
4. Place the Rangehood on the anchor hook. See Pic 4.
5. Fix the outside chimney bracket to the outside chimney, and be sure that the inside chimney and the extension pipe's height can be freely adjusted. See Pic 5.
6. Install the chimney and fix the outside chimney bracket, See Pic 6.
6. Install the chimney and fix the outside chimney bracket, See Pic 6.  
After adjusting the position, fix the body with safety screws. See Pic 7.

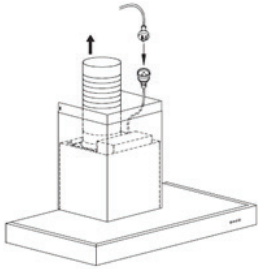


Pic 1



## Installation (continued)

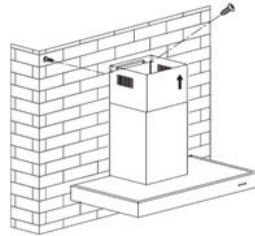
7. Connect the power cord on main body with extension cable, See Pic 8 & 9
8. Adjust the height of the inside chimney to the position of the inside chimney bracket, and fix with supplied screws, See Pic 10
9. Fix the left and right support bracket on the side of external motor, by using 6 pcs ST4\*8mm screws (supplied). See Pic 11
10. Fix the external motor on the ceiling or on the wall by using 4 pcs ST4\*30mm screws, See Pic 12 & 13
11. Connect the extension pipe (ducting), See Pic 14
12. Connect the power cord to the motor with extension cable, See Pic 15



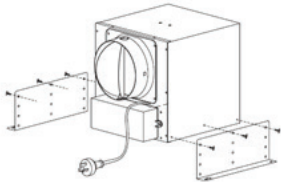
Pic 8



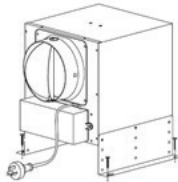
Pic 9



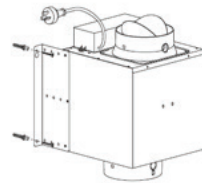
Pic 10



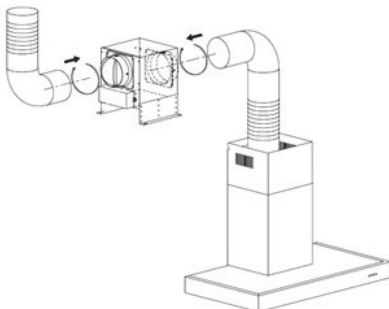
Pic 11



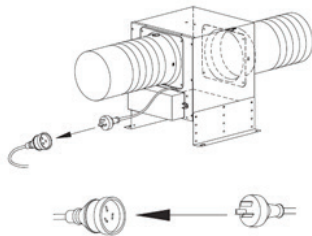
Pic 12



Pic 13



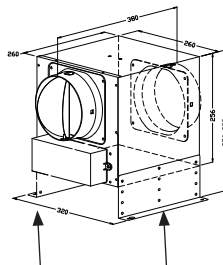
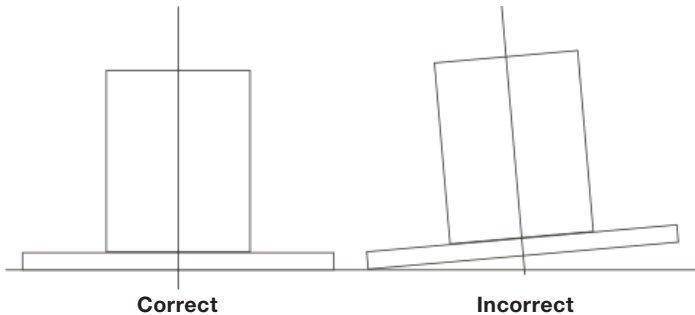
Pic 14



Pic 15

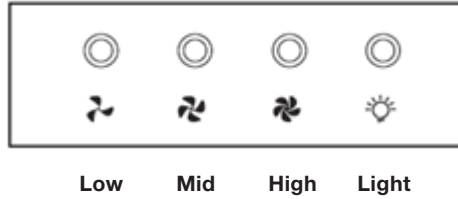
## Important points to consider for installation

1. The location of the fan unit shall allow access for maintenance and repair. Permanent fixed means of access is required where the fan unit location is beyond the extent of normal steps or ladders.
2. Before installation, please ensure the area is clean to avoid suction of the remaining bits of debris and dust.
3. Please ensure that the fan motor is firmly secured to either a flat surface such as an MDF panel affixed across the ceiling rafters, or fixed to the ceiling rafters themselves. Ensure the fan motor is level and there is no vibration when in use.
4. The Rangehood cannot share the same air ventilation tube with other appliances such as gas tube, warmer tube, and hot wind tube.
5. After installation, make sure that the main body is level to avoid grease collection at one end.
6. Please note the dimensions of the fan motor below for installation purposes.
7. The use of a ducting kit is imperative for the performance of the fan motor.
8. The bending of ducting tube should be  $\geq 120^\circ$ , parallel or above the start point and should be connected to the external wall, roof or eave.
9. The recommended maximum lengths of ducting pipe should be no more than:
  - Four (4) metres for connection between the hood body and fan motor.
  - Three (3) metres for connection between the fan motor and outside.



The fan motor must be secured using the supplied bracket and screws

## Operation



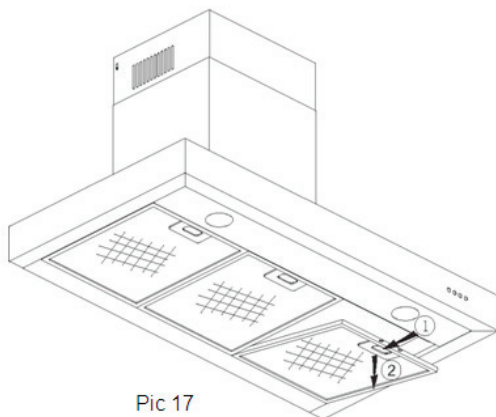
1. Push the low speed button, and the button will be backlit, and the motor runs at low speed. Push it again and the motor will stop.
2. Push the middle button, and the button will be backlit, and the motor runs at mid speed. Push it again and the motor will stop
3. Push the high button, and the button will be backlit, and motor runs on high speed. Push it again and the motor will stop
4. Push the light button, and the button will be backlit, and the two LED lights will be illuminated. Push it again and the LED lights will turn off.

# Maintenance

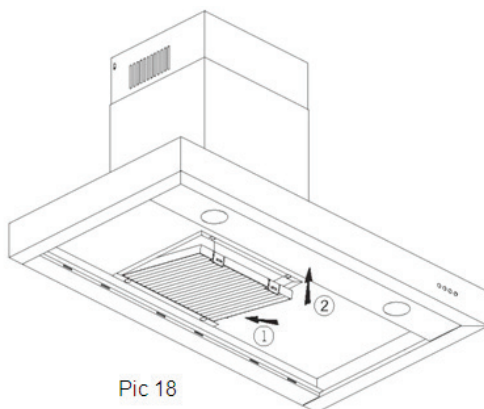
## Cleaning and Maintenance:

- To clean the grease filters, remove the filter as shown in Pic. 17
- You can clean the filter using the following methods:
  - Soak them for about 3 minutes in hot water (40-50 degrees) with a grease-loosening detergent then brush it gently with a soft brush. Please do not apply too much pressure, avoid damaging it.
  - The filters can be put into a dishwasher, please ensure the temperature is no more than 60 degrees.
- Change the carbon filters as per Pic. 18
- Please use non-abrasive cleaners on the main body of the Rangehood.

**Note: Ensure the power to the Rangehood has been turned off before cleaning.**



Pic 17



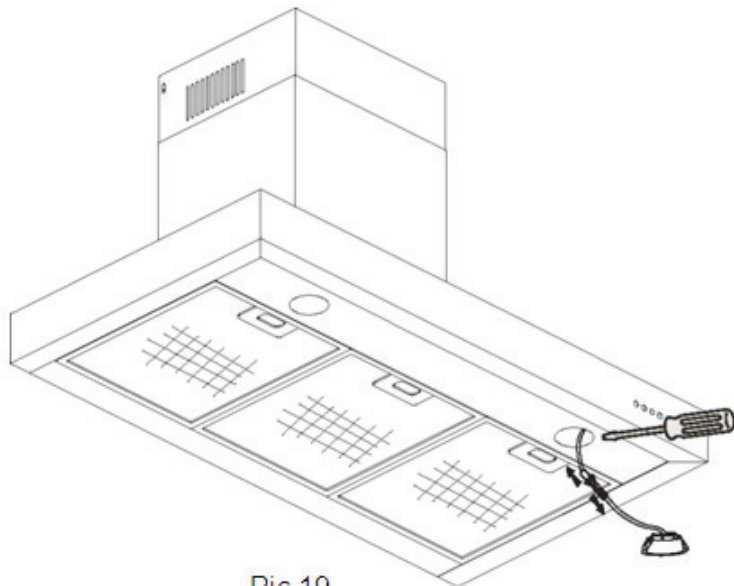
Pic 18

# Bulb Replacement

1. Firstly, switch the unit off at the power and pull out the plug.
2. Wait until the light bulb is cooled down before replacement.
3. Replace with the same type of bulb by pushing the bulb slightly and screwing in or out.

**Please note:**

Alternatively, you can change the bulb from the inside of the Rangehood, take out the metal filter and have the bulb replacement from inside of the Rangehood.









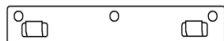


Pic 19

# Troubleshooting and Possible Solutions

Fault	Cause	Solution
Light on, but motor does not work	The fan blocked	Service call to clear the blockage
	The capacitor damaged	Service call to replace capacitor
	The motor jammed bearing damaged	Service call to replace motor
	A electrical or burning smell from the motor	Service call to replace motor
Light does not work, motor does not work	Beside the above mentioned, check the following:	
	Light damaged	Replace lights
	Power cord loosen from power supply	Switch off power and carefully engage plug
Oil leakage	One-way valve and the air ventilation entrance are not tightly sealed	Service call to repair one-way valve and seal.
	Leakage from the connection of U-shaped section and cover	Service call to repair
Vibration of the body	The fan is damaged and causes vibration	Service call to repair fan
	The motor is loose	Service call to repair tighten the motor
	The hood is not securely fixed to the wall	Refer to installation section to secure to the wall
Insufficient suction	The distance between the body and the gas top is incorrect	Readjust to the specified mandatory distance
	Too much ventilation from open doors or windows	Choose a new place and resemble the machine

For product enquires including warranty support, please contact our Customer Care team on 1800 444 357 or via email, [customercare@hapl.com.au](mailto:customercare@hapl.com.au)

## Supplied Accessories

Part	picture	QTY - hood body	QTY - motor
Wall plug		9	4
Screw (4mm x 40mm)		7	/
Screw (4mm x 30mm)		2	4
Screw (4mm x 8mm)		8	10
Outlet		1	2
flap		/	2
Hook		1	/
outer chimney bracket		1	/
inner chimney bracket		1	/

# HAPL Ducting Kit Solutions

The ducting kit connects to the outlet of the external roof cavity fan motor. There is a ducting solution available for most installations. Please ensure you have selected the correct kit for your requirements. The HAPL ducting kits include all parts required to complete off-board Rangehood installation.



**Wall Ducting Kit - DKW**



**Eave Ducting Kit - DKE**



**Tile Roof Ducting Kit - DKRT**



**Metal Roof Ducting Kit - DKRM**

\*Please contact HAPL on 1800 805 300 for information regarding your local retailer of the recommended ducting kit solutions from Home Appliances.



For all product enquiries (including warranty support),  
please contact our Customer Care team on  
**1800 444 357** or via email: **[customercare@hapl.com.au](mailto:customercare@hapl.com.au)**