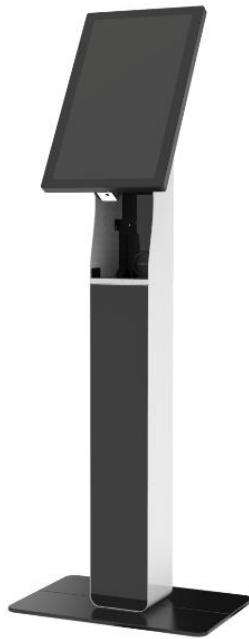


# SPECIFICATION

Version 1.0 2023/09

## Smart Self-Ordering Kiosk



### About this Document

No part of this publication may be reproduced, transmitted, transcribed, stored in a retrieval system, or translated into any language or computer language, in any form or by any means (electronic, magnetic, optical, chemical, manual, or otherwise), without prior written permission from Xiamen Maken Technology Co., Ltd.

Information in this document is subject to change without notice. Maken reserves the right to modify this publication and make changes in the content from time to time without obligation to notify any person of such modifications or changes.

**For CE (EU)**

This equipment complies with EMC Directive 2014/30/EU and Low Voltage Directive 2014/35/EU.

**Warning:**

This is a Class A product. In a domestic environment, this product may cause radio interference, in which case the user may be required to take adequate measures.

**Important Safety Instructions !**

**WARNING!** – To prevent fire or shock hazard, do not expose this product to rain or moisture.

**WARNING!** – Do not open or disassemble this product, as it may cause electric shock.

**Precautions:**

Follow all warnings, precautions, and maintenance recommendations in this manual to extend product life.

**Do's:**

Turn off the product before cleaning.

Use a soft cloth with mild neutral detergent to clean the outer casing.

Use only high-quality, safety-approved AC/DC adapters.

Unplug the power cord from the AC outlet if the product will not be used for a long time.

**Don'ts:**

Do not use abrasive cleaners, waxes, or solvents.

Do not use the product under the following conditions:

Extremely hot, cold, or humid environments.

Areas with excessive dust or dirt.

Near appliances that generate strong magnetic fields.

## Contents

### **Chapter 1**

1.1 Overview

1.2 Features

1.3 Specifications

1.4 System Block Diagram

1.5 Interface Description

1.6 Accessory Kit

### **Chapter 2**

2.1 VESA Mounting

2.1.1 Display Installation

2.2 Operation Instructions

# Chapter 1

## Product Introduction

### 1.1 Overview

Smart Self-Ordering Kiosk, suitable for interactive self-ordering, payment, and other applications.

### 1.2 Features

VESA mounting holes for various installation options

High resolution FHD (1920x1080)

Optional Windows or Android systems with flexible configurations to meet different customer requirements

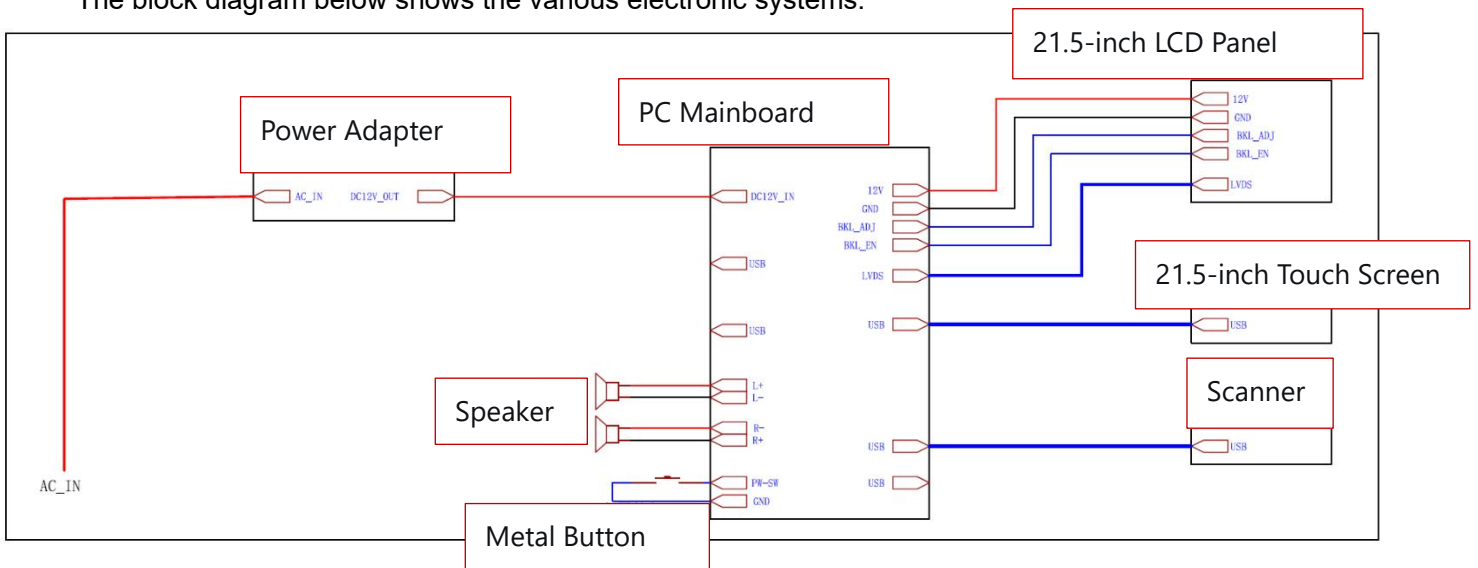
### 1.3 Specifications

Touch Screen	Touch Type	Projected Capacitive Touch	
	Touch Points	10-point	
	Response Time	10ms	
Display	Type	TFT-LCD	
	Size	21.5 inch	
	Resolution	1920x1080	
	Aspect Ratio	16:9	
	Brightness	500cd/m2	
	Contrast Ratio	1000:1	
	Response Time	14ms	
	Viewing Angle	H178° V178°	
	Display Colors	16.7M	
	Refresh Rate	60Hz	
	Lifetime	30,000 hours	
host	OS	WIN10 (trial version)	Android 11
	CPU	Intel Celeron J6412	Rockchip RK3568
	RAM	4G/8G	2G/4G
	Storage	128G/256G(SSD)	16G/32G/64G
	Speaker	5W*2	5W*2
	I/O Ports	USB*4/RJ45*1	USB*2/RJ45*1
	Scanner	HF521	HF521
	Network	Ethernet /WIFI	Ethernet /WIFI
Power	Voltage	100-240VAC,50/60HZ	
	Power Consumption	60W	

Enclosure	Material	SPCC
	Surface Finish	Powder coated
	Color	Black (customized)
Dimensions	Overall size	649.4mm*387.4mm*56mm
	Net Weight	8.5kg
	Package	729mm*144mm*536mm
	Gross Weight	11.5kg
Environment	Application	Indoor
	Operating Temp.	0~40°C
	Storage Temp.	-20~60°C
	Operating Humidity	20%~80%
	Storage Humidity	10%~90%

### 1.4 System Block Diagram

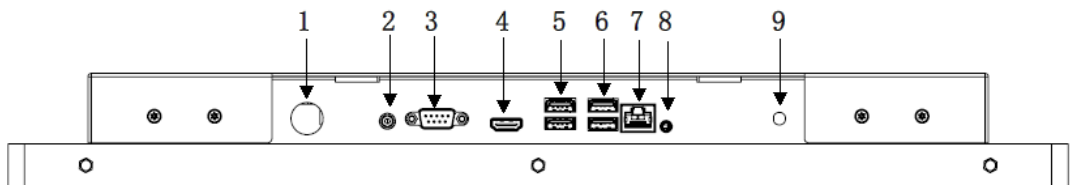
The block diagram below shows the various electronic systems.



### 1.5 Interface Description

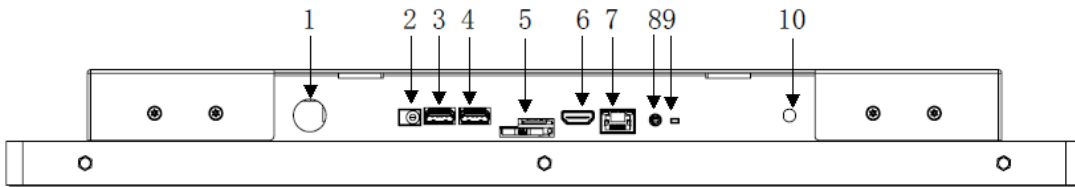
#### 1.5.1 Product Interface

Interface layouts may vary depending on the mainboard version (Windows vs. Android, or different



configurations).

#### 1.Windows 6412



## 2.Android 3568

### 1.5.2 Interface Details

No.	Windows	Android
1	Power On	Power On
2	DC IN	DC IN
3	COM	USB
4	HDMI OUT	USB
5	USB*2	TF card
6	USB*2	HDMI IN
7	RJ45	RJ45
8	SPK	SPK
9	Antenna	Reset
10		Antenna

### 1.6 Accessory Kit Overview

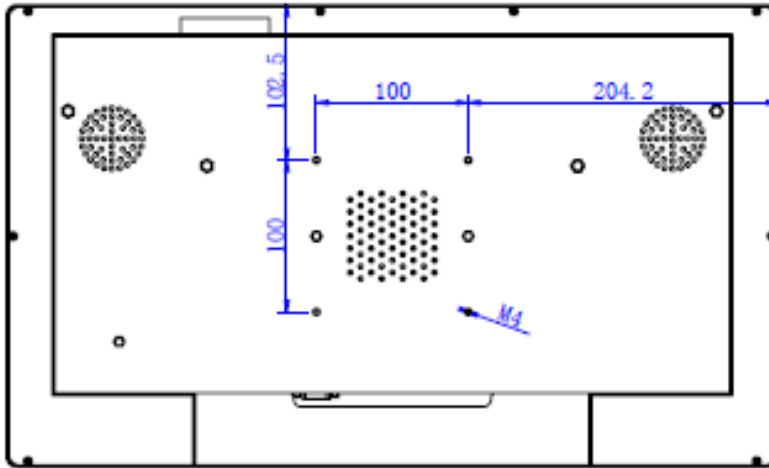
<input type="checkbox"/>		Product	<input type="checkbox"/>		A upper column
<input type="checkbox"/>		Power Adapter	<input type="checkbox"/>		A lower column
<input type="checkbox"/>		Certificate of Conformity	<input type="checkbox"/>		Large Base
<input type="checkbox"/>		Power Cord	<input type="checkbox"/>		M6 Flat Washer
<input type="checkbox"/>		User Manual	<input type="checkbox"/>		M6 Spring Washer
<input type="checkbox"/>		M3 Torx Wrench	<input type="checkbox"/>		M6 Cheese Head Screw
<input type="checkbox"/>		Card Reader Kit (Optional 1)	<input type="checkbox"/>		S5 L-shaped Wrench
<input type="checkbox"/>		M4*8 Phillips Pan Head-Optional	<input type="checkbox"/>		S4 L-shaped Wrench
<input type="checkbox"/>		Card Reader Kit (Optional 2)	<input type="checkbox"/>		ST2.9*9.5 Self-Tapping Screw
<input type="checkbox"/>		M4*8 Phillips Countersunk Head-Optional	<input type="checkbox"/>		M6 Countersunk Head Screw
<input type="checkbox"/>		Screw-	<input type="checkbox"/>		Double-Sided Tape
<input type="checkbox"/>			<input type="checkbox"/>		M4*8 Phillips Screw
<input type="checkbox"/>			<input type="checkbox"/>		User Manual

## Chapter 2

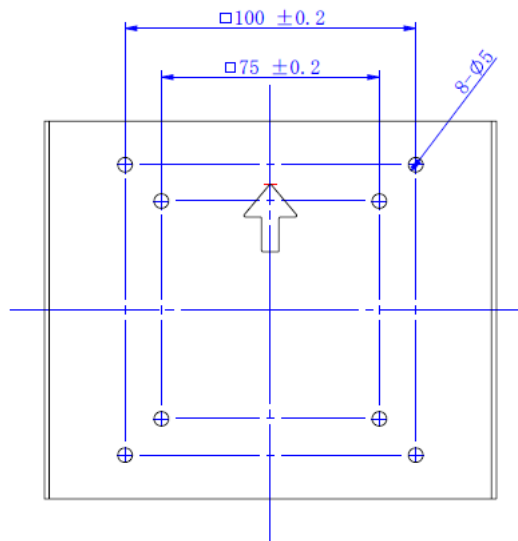
### Product Installation

#### 2.1 VESA Mounting

This product complies with the VESA Flat Display Mounting Interface Standard. The VESA mount is located on the rear of the device and corresponds to the bracket's mounting plate.



#### Mounting Holes on the Back of the Touch All-in-One



#### Warning!

The distance between the rear cover surface and the bottom of the screw hole is 12–14 mm. Use M4 screws of appropriate length to mount the display.

**IMPORTANT:** The mounting bracket must be capable of supporting at least 10 kg (15 kg recommended).

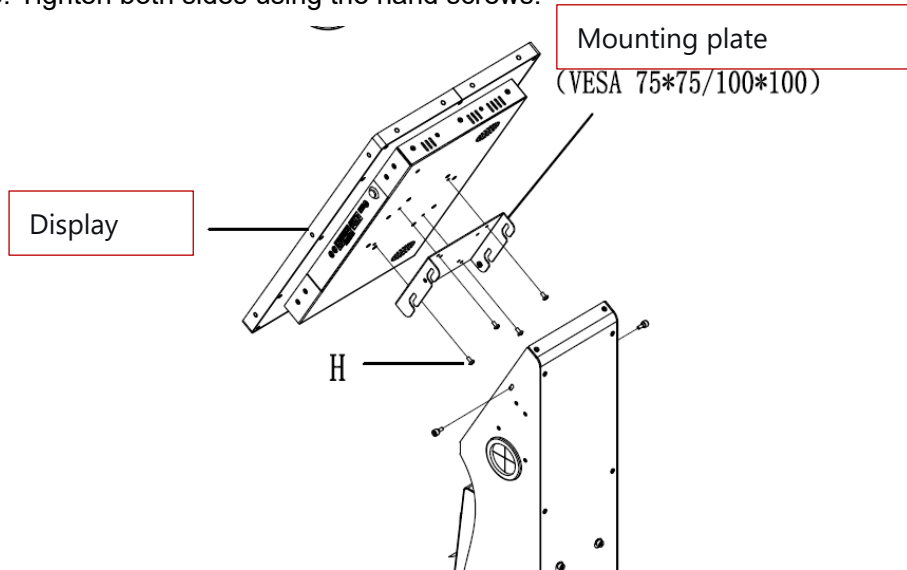
#### 2.1.1 Display Installation

Note: Install or remove the product only when it is powered off.

Step 1: Attach the mounting plate to the corresponding holes on the rear of the display using four cross-head screws, matching the orientation shown.

Step 2: Hang the display (with plate attached) onto the bracket's locking slots.

Step 3: Tighten both sides using the hand screws.



## 2.3 Operation Instructions

Instructions for power on/off, brightness adjustment, and volume control are provided. For other operations, follow the same procedures as a standard computer system.

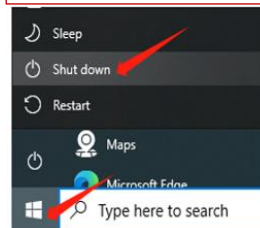
### 2.3.1 Power On/Off




1、 Power adapter is included. Connect the power cord to the adapter.

2、 Insert the DC plug of the adapter into the DC jack of the unit.

3、 Then plug the adapter power cord into the AC outlet.

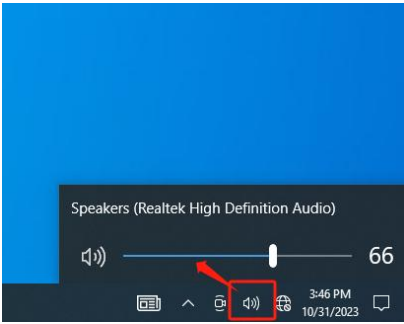


4、 Press the power button to start the unit. After startup, the unit will emit a single "beep" sound, indicating that the main unit is powered on. Please wait for the system to boot up. Ensure that the screen is free of any obstructions, as the touchscreen operates based on sensing through non-transparent objects. Any obstruction may interfere with touch performance.

5、 Shutdown: Click the  icon as shown in the figure to power off the unit from the operating system. After the device has completely shut down, the power cord may be unplugged. Do not unplug the power cord directly, as sudden power loss may damage internal components.

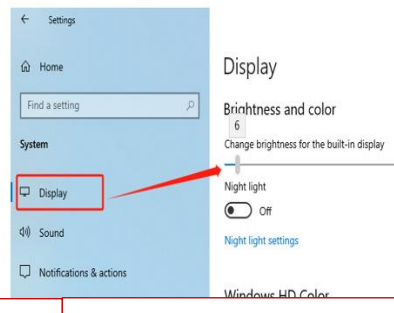
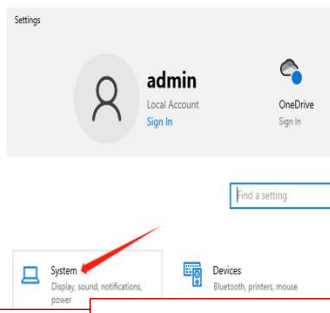
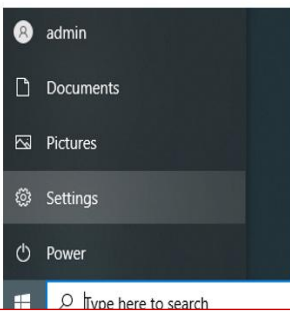
### 2.3.2 System Volume Adjustment


Click the volume icon in the system tray and adjust to the desired level.



### 2.3.3 Screen Brightness Adjustment

Navigate through: Menu → Settings → Display → Brightness adjustment.



1、 Click  icon to enter the menu settings page.

2、 Click to enter the system settings page.

3、 Select Display Settings, then adjust the brightness.

### 2.3.3 Scanner Operation



Bring a QR code or barcode close to the scanner window. The LED lights up, and the decoded data appears on the screen.

#### Remark:

The following models are covered (touch all-in-one and touch monitor variants):

#### Touch All-in-One:

DSW-B1156-S4B、DSW-B1215-S4B、DSW-B119-S4A、DSW-B1238-S4B、DSW-B127-S4B、DSW-B132-S4B、DSW-B143-S4B、DSW-B155-S4B

#### Touch Monitor:

TS-B1156-S4B、TS-B1215-S4B、TS-B119-S4A、TS-B1238-S4B、TS-B127-S4B、TS-B132-S4B、TS-B143-S4B、TS-B155-S4B

FCC Warning:

This equipment has been tested and found to comply with the limits for a Class B digital device, pursuant to part 15 of the FCC Rules. These limits are designed to provide reasonable protection against harmful interference in a residential installation. This equipment generates, uses and can radiate radio frequency energy and, if not installed and used in accordance with the instructions, may cause harmful interference to radio communications. However, there is no guarantee that interference will not occur in a particular installation. If this equipment does cause harmful interference to radio or television reception, which can be determined by turning the equipment off and on, the user is encouraged to try to correct the interference by one or more of the following measures:

- Reorient or relocate the receiving antenna.
- Increase the separation between the equipment and receiver.
- Connect the equipment into an outlet on a circuit different from that to which the receiver is connected.
- Consult the dealer or an experienced radio/TV technician for help.

Caution: Any changes or modifications to this device not explicitly approved by manufacturer could void your authority to operate this equipment.

This device complies with part 15 of the FCC Rules. Operation is subject to the following two conditions:

(1) This device may not cause harmful interference, and (2) this device must accept any interference received, including interference that may cause undesired operation.

This equipment complies with FCC radiation exposure limits set forth for an uncontrolled environment. This equipment should be installed and operated with minimum distance 20cm between the radiator and your body.