

Use / Install MANUAL



Outdoor Stainless Steel Cabinets

VBBO1601 / VBBO2602 / VBBO5160 / VBBO5260
VURO3200 / VBO1811 / VBO1830 / VSBO2402 / VTOP1810
VQBO4121 / VQBO5322 / VQBO5420 / VQBO5540 / VQWO4120 / VQWO5311

IMPORTANT - PLEASE READ AND FOLLOW

- Before beginning, please read these instructions completely and carefully.
- Do not remove permanently affixed labels, warnings, or plates from product. This may void the warranty.
- Outdoor stainless steel cabinets are not designed to be water tight. Water may enter cabinetry under certain conditions
- The installer should leave instructions with the consumer who should retain for future reference

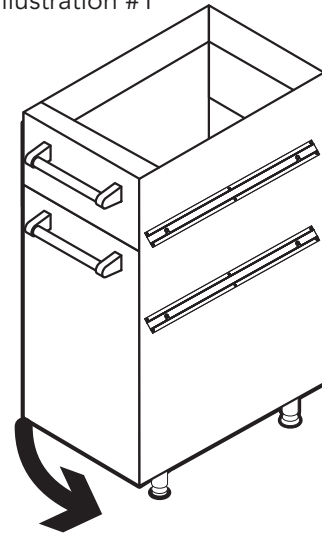
⚠ WARNING

NEVER use LP tanks inside any stainless steel cabinetry.
Tanks must be located outside of the cabinetry at all times.

TO INSTALL CABINETS:

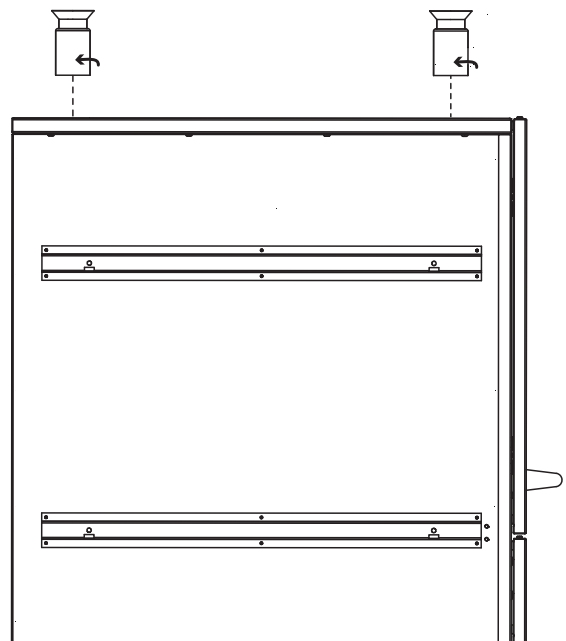
1. Verify cabinet product number(s) on box(es) to list of cabinets ordered.
2. Carefully unpack cabinets making sure not to scratch fronts. Front panels are protected by plastic coating (that must be removed after setup). Cabinets with interchangeable doors are shipped from the factory with opening from left to right as shown (See illustration #1).
3. In cabinets with interchangeable doors, hardware package will contain hole covers and hardware to install.

Illustration #1



4. Install 4 legs in the leg plates attached to bottom of each cabinet. Screw in place. (See illustration #2).

Illustration #2

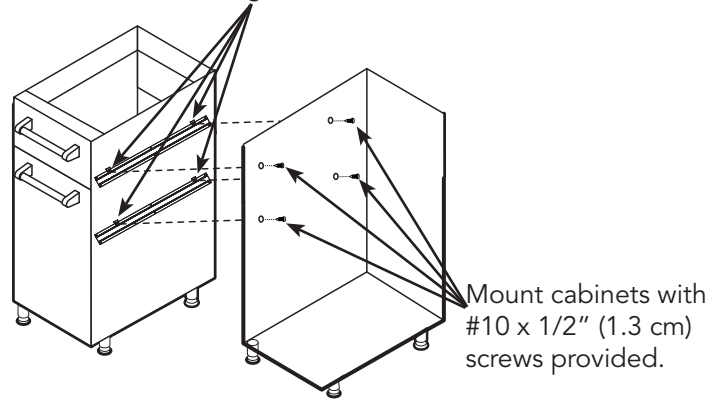


IMPORTANT - PLEASE READ AND FOLLOW!

5. Place cabinet(s) in approximate final position. Level cabinets using leveling legs. If installing two or more cabinets, use 1/2" SMS screws provided to screw them together. (See illustration #3).

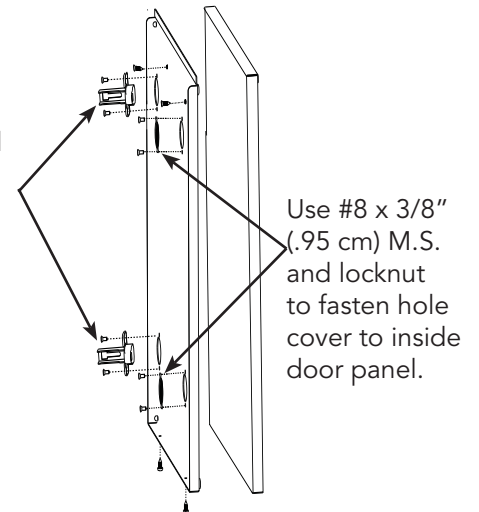
Illustration #3

Install (4) Tinnerman clips (provided) before fastening cabinets together.



6. On cabinets with interchangeable left or right hand swing, determine appropriate hinge side for cabinets. Remove outside door panel. Install hinges by placing hinge bracket in hole in door and fasten in place with hardware provided. Screw hole plate covers in appropriate pre-drilled holes in cabinet side. Fasten hole covers with hardware provided. (See Illustration #4).

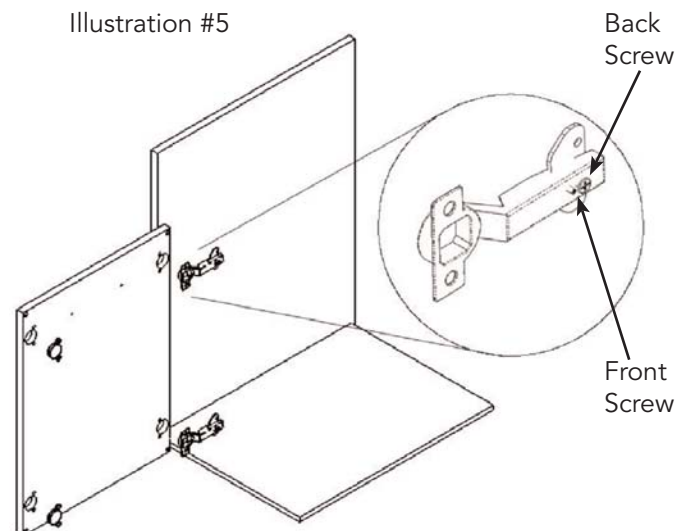
Use #8 x 3/8" (.95 cm) flat head M.S. and locknut to attach hinge bracket to the inside door



7. Cabinet doors must be adjusted when cabinets are level in final position. There are two adjustment screws on the hinge receiver. (See Illustration #5)

- The front screw is used to center the door in the opening. Turning the front screws in or out will center the door over the cabinet opening.
- The back screw is used to align the front of the door with the cabinet frame and secure the door to the cabinet. Slightly loosen the screw and slide door in or out. Retighten the screw to secure the door.

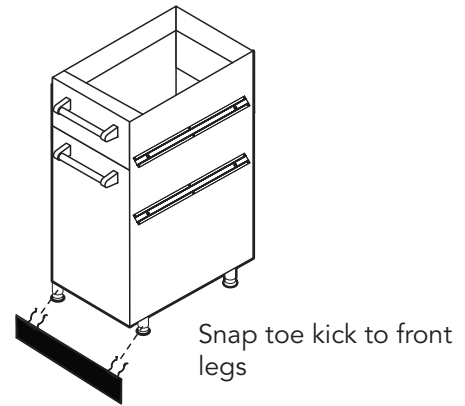
Illustration #5



INSTALLATION

8. If desired, snap toe kick included with each unit to front legs. (See illustration #6).

Illustration #6



9. SIDE PANEL INSTALLATION (End of Run Only)

- Remove all drawers. (If applicable)
- Remove all protective covering from panel and install using the #10 x 1/2" tek screws provided. (See Illustration #7)
- Attach toe kick to legs (See Illustration #6).

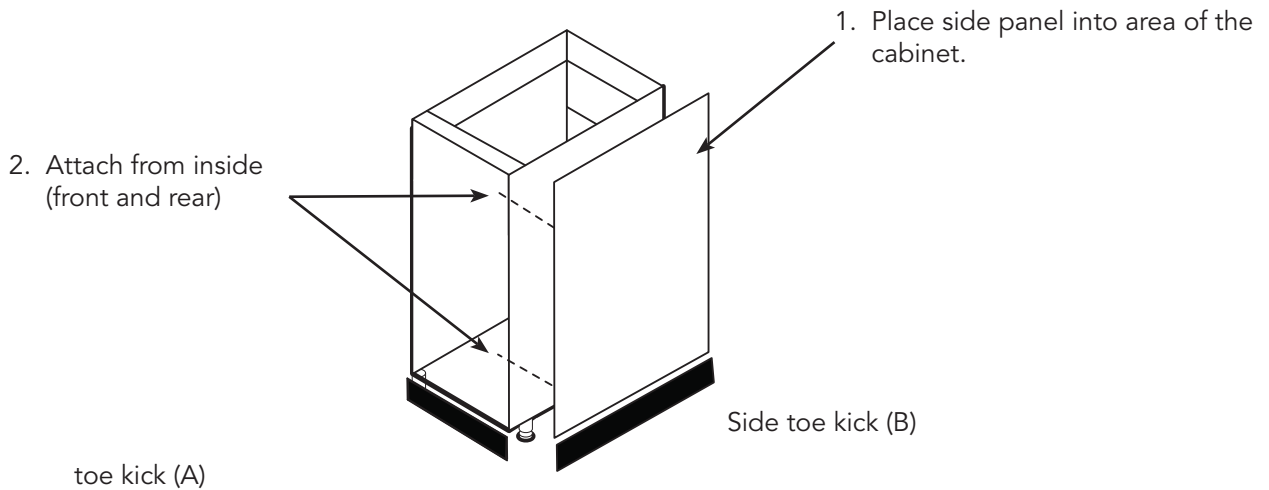
NOTE: FOR WALL INSTALLATIONS:

The front portion of the side toe kick must be shortened to match the front toe kick. (See Illustration #7). The plastic material can be cut with any common type wood saw blade.

FOR ISLAND INSTALLATIONS:

The side, front, and rear toe kick must be modified (See Illustration #7)

Illustration #7



LH Side panel Installation shown
(RH installs the same way)

	Toe Kick Dimensions Wall Installation	Island Installation
Front Toe Kick (A)	16 3/4" (42.5 cm)	16 3/4" (42.5 cm)
Side Toe Kick (B)	27 1/4" (61.6 cm)	25 1/2" (64.8 cm)
Rear Toe Kick (C)	N/A	16 3/4" (42.5 cm)

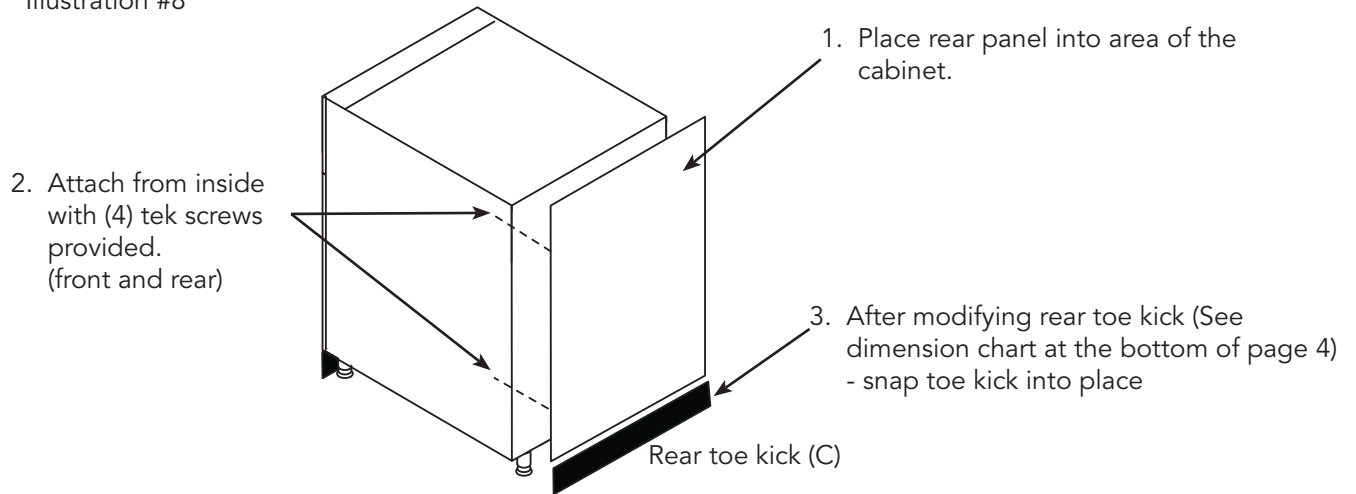
INSTALLATION

10. BACK PANEL INSTALLATION

- Remove all protective covering from panel and install using the 10 x 1/2" tek screws provided. (See Illustration #8).
- Attach rear toe kick to legs. (See illustration #8).

NOTE: For end of the run panels, the rear, front, and side toe kicks must be modified. (See illustrations #7 & #8)

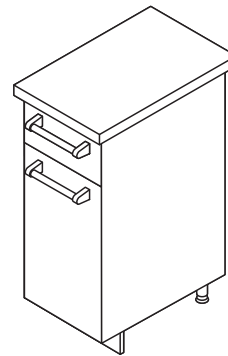
Illustration #8



11. INSTALL LOCALLY SUPPLIED COUNTERTOP

All Viking outdoor cabinets must be installed with a locally supplied countertop. The cabinets are designed for a minimum countertop thickness of 1 1/8" (2.9 cm) such as you would find with granite or quartz material. If a countertop material thicker than 1 1/2" (3.8 cm) is used, the appliances should be shimmed to the proper height.

12. Install per appliance's installation instructions.

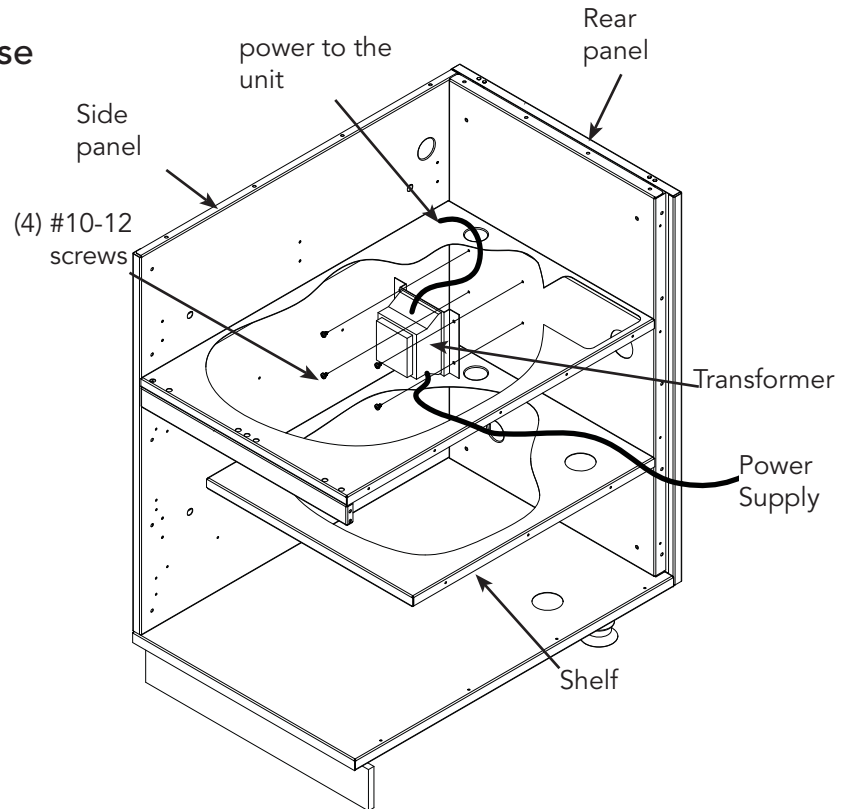


INSTALLATION

Installing the Transformer on Grill Base

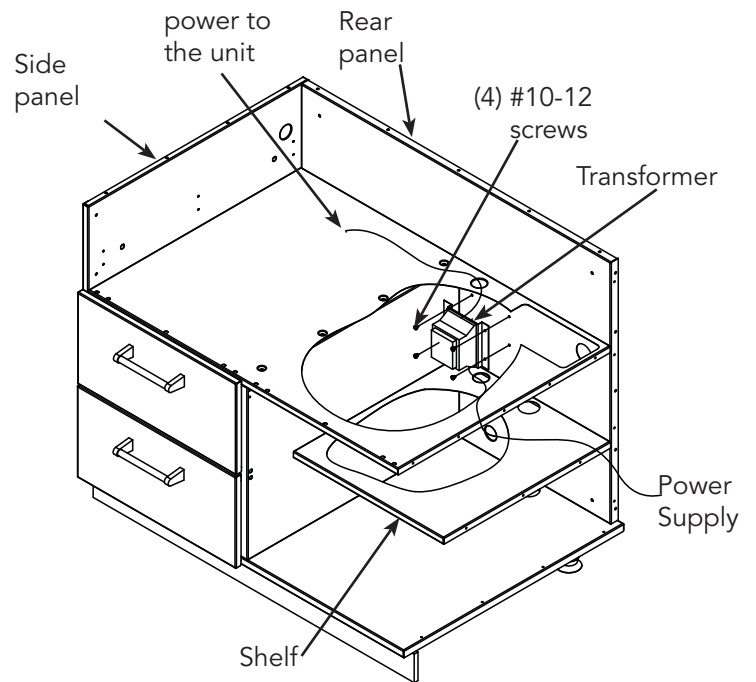
For Models VBBO5160 / VBBO5260

1. The transformer must be mounted inside the cabinet
2. If you are installing a Viking grill on either side of the burner, there is a hole on either side of the cabinet provided in order to connect the grill to the side or power burner unit.
3. If you are not installing a Viking grill on either side, locate the four holes in the back panel and feed the AC plug through the hole in the shelf and out the hole in the rear panel.
4. Line up the holes in the transformer with the holes in the rear panel.
5. Using the (4) #10-12 screws that were provided, attach with a drill with a T25 torx bit to secure the transformer to the rear panel.
6. Feed the connector through the hole above to connect it to the side or power burner unit.



For Models VQBO5420

1. The transformer must be mounted inside the cabinet
2. Locate the four holes in the back panel and feed the AC plug through the hole in the shelf and out the hole in the rear panel.
3. Line up the holes in the transformer with the holes in the rear panel.
4. Using the (4) #10-12 screws that were provided, attach with a drill with a T25 torx bit to secure the transformer to the rear panel.
5. Feed the connector through the hole above to connect it to the grill
6. If you are installing a Viking side burner or power burner on either side of the grill, there is a hole on either side of the cabinet provided to feed the connector from the grill to the burners.

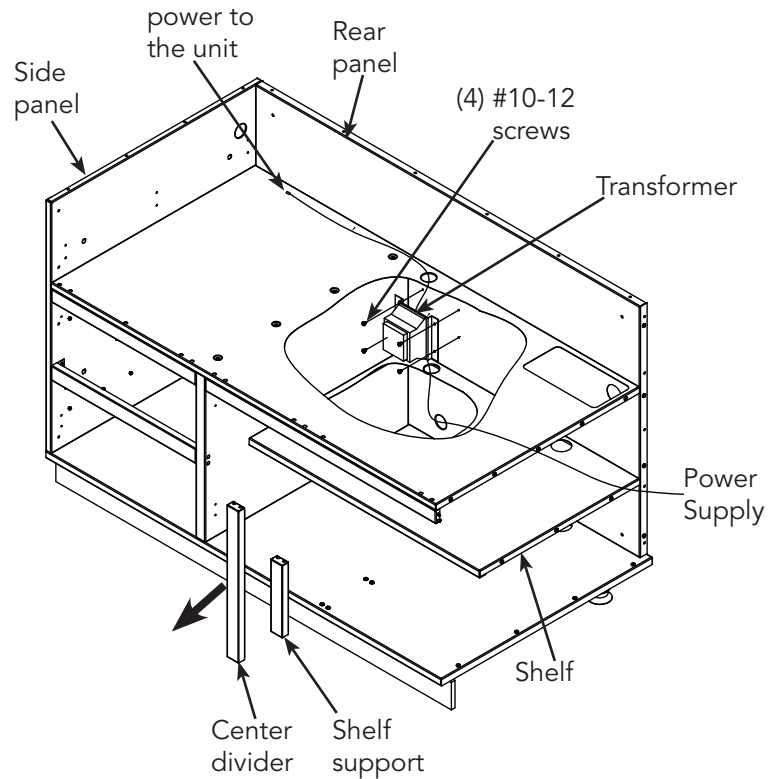


INSTALLATION

Installing the Transformer on Grill Base

For Models VQBO5540

1. The transformer must be mounted inside the cabinet
2. Grip the center divider between the two doors inside the cabinet and firmly pull it straight out.
3. Grip the shelf support (behind the center divider that was just removed) and firmly pull it straight out.
4. Locate the four holes in the back panel and feed the AC plug through the hole in the shelf and out the hole in the rear panel.
5. Line up the holes in the transformer with the holes in the rear panel
6. Using the (4) #10-12 screws that were provided, attach with a drill with a T25 torx bit to secure the transformer to the back panel.
7. Feed the connector through the hole above to connect it to the grill.
8. Reattach the shelf support by lining up the slots with the shoulder screws and sliding it straight back in.
9. Reattach the center divider by lining up the slots with the shoulder screws and sliding it straight back in.
10. If you are installing a Viking side burner or power burner on either side of the grill, there is a hole on either side of the cabinet provided to feed the connector from the grill to the burners.



CLEANING AND MAINTENANCE

⚠ CAUTION

- Do not use any cleaning agent with chlorine or chlorine compounds on stainless steel finish. Chlorine and chlorine compounds are corrosive to stainless steel
- Do not use a metal knife or any other metal tool to scrape stainless steel parts
- Do not permit citrus or tomato juice to remain on stainless steel surfaces, as citric acid will permanently discolor stainless steel. Wipe up spills immediately.
- Do not use abrasive cleaners, steel wool pads, or abrasive cloths as they will scratch the finish.

1. Carefully remove protective plastic peel coat from each stainless steel surface. Clean stainless with stainless steel cleaner in direction of grain. Clean the stainless with any product made for stainless. Always rub with the grain direction. Rubbing across the grain direction may produce minor scratches. Some good cleaners are Stainless Steel Magic™, and Sheila Shine™.
2. In a salt air environment, small amounts of rust may accumulate on stainless steel. A slightly more oily cleaner like Sheila Shine™ will protect better against oxidation or slight surface rust. Cleaning the surfaces periodically will protect the finish for many years.

DIMENSIONS

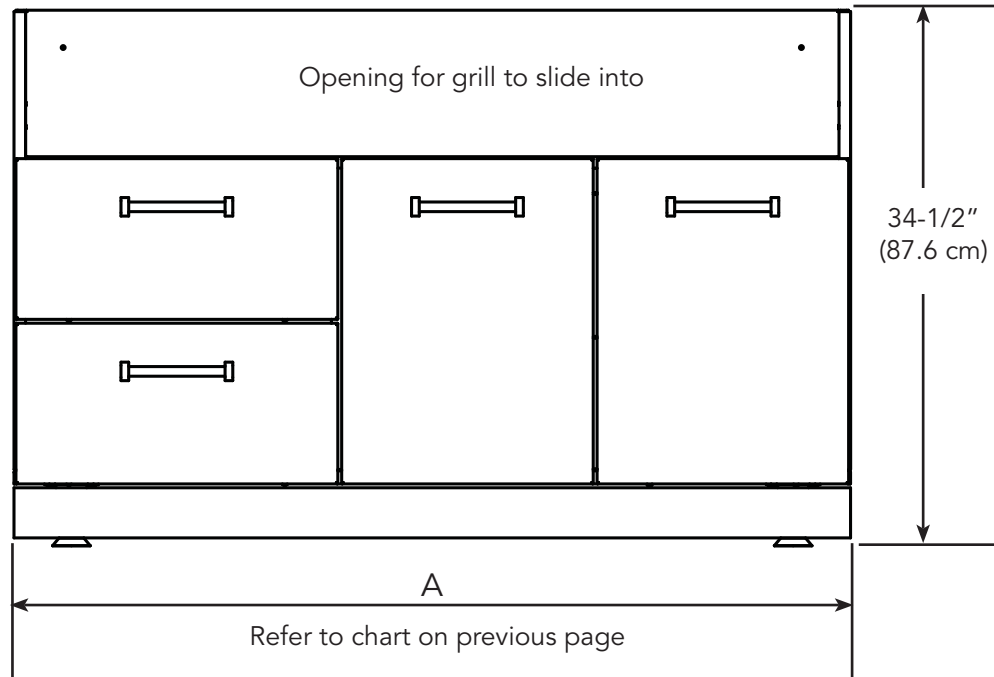
	OVERALL WIDTH (A)	OVERALL HEIGHT	OVERALL DEPTH
VBBO1601	15 5/8" (39.7 cm)	34 1/2" (87.6 cm)	29 7/8" (75.9 cm)
VBBO2602	26 3/8" (67.0 cm)	34 1/2" (87.6 cm)	29 7/8" (75.9 cm)
VBBO5160	14 1/2" (36.8 cm)	34 1/2" (87.6 cm)	29 7/8" (75.9 cm)
VBBO5260	20 1/4" (51.4 cm)	34 1/2" (87.6 cm)	29 7/8" (75.9 cm)
VBO1811, including doors	18" (45.7 cm)	34 1/2" (87.6 cm)	29 7/8" (75.9 cm)
VTPO1810, including doors	18" (45.7 cm)	34 1/2" (87.6 cm)	29 7/8" (75.9 cm)
VBO1830, including doors	18" (45.7 cm)	34 1/2" (87.6 cm)	29 7/8" (75.9 cm)
VSBO2402, including doors	24" (61.0 cm)	34 1/2" (87.6 cm)	29 7/8" (75.9 cm)
VQBO4121, VQWO4120	41 7/8" (106.4 cm)	34 1/2" (87.6 cm)	29 7/8" (75.9 cm)
VQBO5322, VQWO5311	53 7/8" (136.8 cm)	34 1/2" (87.6 cm)	29 7/8" (75.9 cm)
VQBO5420	42 1/4" (107.3 cm)	34 1/2" (87.6 cm)	29 7/8" (75.9 cm)
VQBO5540	54 1/4" (137.8 cm)	34 1/2" (87.6 cm)	29 7/8" (75.9 cm)
VURO3200	32" (81.3 cm)	34 1/2" (87.6 cm)	29 7/8" (75.9 cm)
VBPFLR4	4" (10.2 cm)	34 1/2" (87.6 cm)*	3/4" (1.9 cm)
VFLR4	4" (10.2 cm)	34 1/2" (87.6 cm)*	3/4" (1.9 cm)
VBFLR8	8" (20.3 cm)	34 1/2" (87.6 cm)*	3/4" (1.9 cm)
VFLR8	8" (20.3 cm)	34 1/2" (87.6 cm)*	3/4" (1.9 cm)
VSP30	29 7/8" (75.9 cm)	34 1/2" (87.6 cm)*	0"
VCF90	3" (7.6 cm)**	34" (86.4 cm)*	3/4" (1.9 cm)
VOCF90	33" (83.8 cm)**	34 1/2" (87.6 cm)*	3/4" (1.9 cm)
VCF135	3" (7.6 cm)**	34 1/2" (87.6 cm)*	3/4" (1.9 cm)
VOCF135	15 1/2" (39.4 cm)**	34 1/2" (87.6 cm)*	3/4" (1.9 cm)
VBP16	16" (40.6 cm)	34 1/2" (87.6 cm)*	3/4" (1.9 cm)
VBP18	18" (45.7 cm)	34 1/2" (87.6 cm)*	3/4" (1.9 cm)
VBP24	24" (61.0 cm)	34 1/2" (87.6 cm)*	3/4" (1.9 cm)
VBP26	26 3/8" (67.0 cm)	34 1/2" (87.6 cm)*	3/4" (1.9 cm)
VBP32	32" (81.3 cm)	34 1/2" (87.6 cm)*	3/4" (1.9 cm)
VBP41	41 7/8" (106.4 cm)	34 1/2" (87.6 cm)*	3/4" (1.9 cm)
VBP53	53 7/8" (136.8 cm)	34 1/2" (87.6 cm)*	3/4" (1.9 cm)
VBP14SS	14 1/4" (36.2 cm)	30 3/4" (78.1 cm)	3/4" (1.9 cm)
VBP20SS	20 1/4" (51.4 cm)	30 3/4" (78.1 cm)	3/4" (1.9 cm)
VBP42SS	42 1/4" (107.3 cm)	30 3/4" (78.1 cm)	3/4" (1.9 cm)
VPB54SS	54 1/4" (137.8 cm)	30 3/4" (78.1 cm)	3/4" (1.9 cm)

*includes provided toe kick

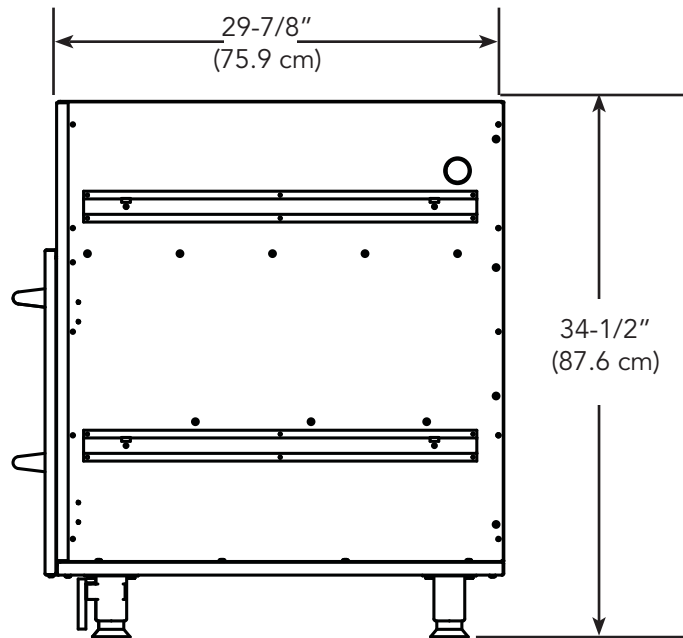
**from inside of turn to next cabinet

GRILL BASE DIMENSIONS

Front View



Side View



SERVICE INFORMATION

If service is required, call your authorized service agency.

Have the following information readily available:

- Model number
- Serial number
- Date purchased
- Name of dealer from whom purchased

Clearly describe the problem that you are having. If you are unable to obtain the name of an authorized service agency, or if you continue to have service problems, contact Viking Range at (888) 845-4641 or write to:

**VIKING RANGE, LLC
PREFERRED SERVICE
111 Front Street
Greenwood, Mississippi 38930 USA**

Record the information indicated below. You will need it if service is ever required.

Model No. _____ Serial No. _____

Date of Purchase _____ Date Installed _____

Dealer's Name _____

Address _____

If service requires installation of parts, use only authorized parts to insure protection under the warranty.

Keep this manual for future reference.

WARRANTY

PROFESSIONAL SERIES OUTDOOR STAINLESS STEEL WARRANTY TWO YEAR FULL WARRANTY

Outdoor cabinets and all of their component parts, except as detailed below*, are warranted to be free from defective materials or workmanship in normal residential use for a period of two (2) years from the date of original retail purchase or closing date for new construction, whichever period is longer. Viking Range, LLC, warrantor, agrees to repair or replace, at its option, any part which fails or is found to be defective during the warranty period.

*FULL NINETY (90) DAY COSMETIC WARRANTY: Decorative items are warranted to be free from defective materials or workmanship (such as scratches on stainless steel, etc.) for a period of ninety (90) days from the date of original retail purchase. ANY DEFECTS MUST BE REPORTED TO THE SELLING DEALER WITHIN NINETY (90) DAYS FROM DATE OF ORIGINAL RETAIL PURCHASE. Viking Range, LLC uses the most up-to-date processes and best materials available to produce all finishes. However, slight color variation may be noticed because of the inherent differences in lighting, product locations, and other factors. Therefore, this warranty does not apply to variations attributable to such factors.

TWO YEAR FULL WARRANTY

Any door hinges or drawer slides which fail due to defective materials or workmanship in normal household use during the second year from the date of original retail purchase will be repaired or replaced, free of charge for the part itself, with the owner paying all other costs, including labor.

This warranty extends to the original purchaser of the product warranted hereunder and to each transferee owner of the product during the term of the warranty.

TERMS AND CONDITIONS

This warranty extends to the original purchaser of the product warranted hereunder and to each transferee owner of the product during the term of the warranty and applies to products purchased and located in the United States and Canada. Products must be purchased in the country where service is requested. If the product or one of its component parts contains a defect or malfunction during the full warranty period after a reasonable number of attempts by the warrantor to remedy the defect or malfunction, the owner is entitled to either a refund or replacement of the product or its component part or parts. Replacement of a component part includes its free installation, except as specified under the limited warranty. Under the terms of this warranty, service must be performed by a factory authorized Viking Range, LLC service agent or representative. Service will be provided during normal business hours, and labor performed at overtime or premium rates shall not be covered by this warranty.

Owner shall be responsible for proper installation, providing reasonable and necessary maintenance, providing proof of purchase upon request, and making the appliance reasonably accessible for service. The return of the Owner Registration Card is not a condition of warranty coverage. You should, however, return the Owner Registration Card so that Viking Range, LLC can contact you should any question of safety arise which could affect you. This warranty gives you specific legal rights, and you may also have other rights which may vary from jurisdiction to jurisdiction.

WHAT IS NOT COVERED BY THIS WARRANTY: This warranty shall not apply to damage resulting from abuse, failure to provide reasonable and necessary maintenance, accident, delivery, negligence, natural disaster, loss of electrical power to the product for any reason, alteration, outdoor use, improper installation, improper operation, or repair or service of the product by anyone other than an authorized Viking Range, LLC service agency or representative. This warranty does not apply to commercial usage.

LIMITATION OF REMEDIES AND DURATION OF IMPLIED WARRANTY OWNER'S SOLE AND EXCLUSIVE REMEDY FOR A CLAIM OF ANY KIND WITH RESPECT TO THIS PRODUCT SHALL BE THE REMEDIES SET FORTH ABOVE. VIKING RANGE, LLC IS NOT RESPONSIBLE FOR CONSEQUENTIAL OR INCIDENTAL DAMAGE, INCLUDING BUT NOT LIMITED TO FOOD OR MEDICINE LOSS, DUE TO PRODUCT FAILURE, WHETHER ARISING OUT OF BREACH OF WARRANTY, BREACH OF CONTRACT OR OTHERWISE. Some jurisdictions do not allow the exclusion or limitation of incidental or consequential damages, so the above limitation or exclusions may not apply to you. **ANY IMPLIED WARRANTIES OF MERCHANTABILITY OR FITNESS FOR A PARTICULAR PURPOSE APPLICABLE TO THIS PRODUCT ARE LIMITED IN DURATION TO THE PERIOD OF COVERAGE OF THE APPLICABLE EXPRESS WRITTEN LIMITED WARRANTIES SET FORTH ABOVE.** Some states do not allow limitations on how long an implied warranty lasts, so the above limitation may not apply to you.

WARRANTY SERVICE: To obtain warranty service, contact an authorized Viking Range, LLC service agent, or Viking Range, LLC, 111 Front Street, Greenwood, Mississippi 38930, (888) 845-4641. Provide model and serial number and date of original purchase or closing date for a new construction. For the name of your nearest authorized Viking Range, LLC service agency, call Viking Range, LLC. **IMPORTANT:** Retain proof of original purchase to establish warranty period.

Specifications subject to change without notice.

Viking Range, LLC
111 Front Street
Greenwood, Mississippi 38930 USA
(662) 455-1200

For product information,
call 1-888-(845-4641)
or visit the Viking Web site at vikingrange.com

Manual d'Installation/ Utilisation



Petits Meubles d'Exterieur

VBBO1601 / VBBO2602 / VBBO5160 / VBBO5260
VURO3200 / VBO1811 / VBO1830 / VSBO2402 / VTOP1810
VQBO4121 / VQBO5322 / VQBO5420 / VQBO5540 / VQWO4120 / VQWO5311

IMPORTANT : VEUILLEZ LIRE ET APPLIQUER

- Avant de commencer, veuillez lire ces instructions complètement et avec attention.
- N'enlevez pas de façon permanente des étiquettes collées, des mises en garde ou des plaques de ce produit. Cela peut annuler votre garantie.
- Les pièces des armoires en acier inox pour l'extérieur ne sont pas conçues pour être étanches. De l'eau peut entrer dedans dans certaines conditions.
- L'installateur doit laisser ces instructions chez le consommateur qui doit les garder pour référence ultérieure.

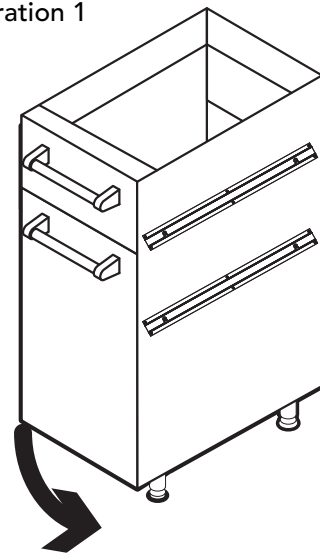
⚠ AVERTISSEMENT

NE JAMAIS conserver des bouteilles de gaz propane à l'intérieur de meubles en inox. Les bouteilles doivent toujours être conservées à l'extérieur des meubles.

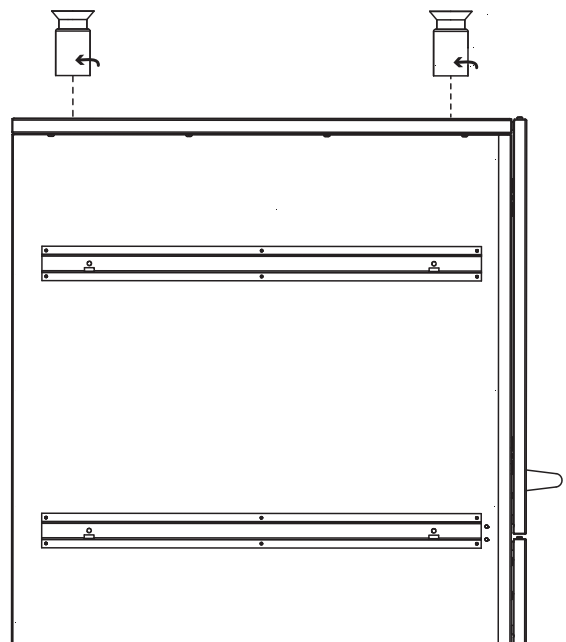
INSTALLATION DES MEUBLES :

1. Vérifiez le(s) numéro(s) de référence de produit(s) sur le(s) carton(s) de meuble(s) commandé(s).
2. Déballez soigneusement les meubles, en veillant à ne pas érafler leur façade. Les panneaux frontaux sont protégés par un revêtement plastique (qu'il faudra ôter après la mise en place). Les meubles avec portes inversibles sont livrés d'usine avec une ouverture de gauche à droite, comme montré (voir l'illustration 1).
3. Avec les meubles à portes inversibles, le sachet de visserie contient des caches pour trous et la visserie nécessaire au montage.
4. Installez les 4 pieds sur les plaques pour pieds fixées sous chaque meuble. Vissez-les en position (voir l'illustration 2).

l'illustration 1



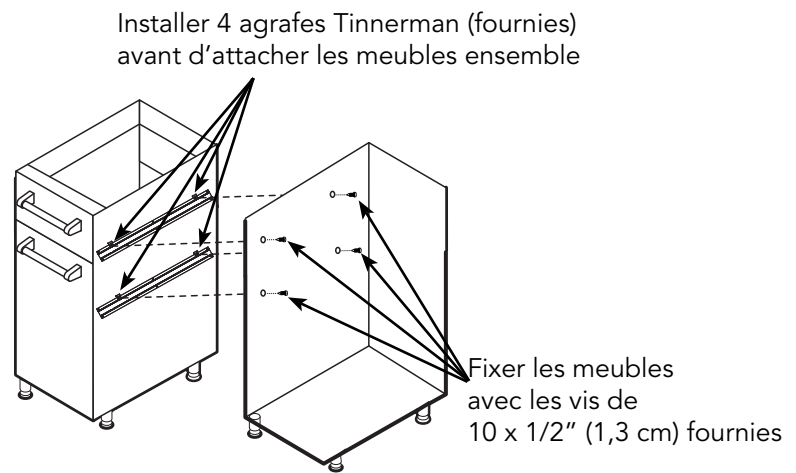
l'illustration 2



IMPORTANT : VEUILLEZ LIRE ET APPLIQUER

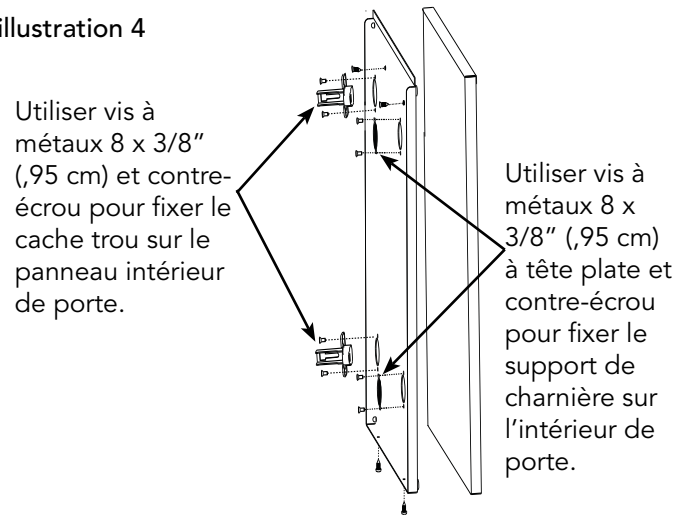
5. Placez le(s) meuble(s) à peu près à leur position finale. Mettez le(s) de niveau avec les pieds réglables. Utilisez les vis SMS fournies pour visser ensemble les meubles (voir l'illustration 3)

l'illustration 3



6. Déterminez le côté approprié pour la charnière des meubles à ouverture de portes inversible. Enlevez le panneau de porte extérieur. Installez les charnières en plaçant leur plaque dans le trou de porte et en serrant en place avec la visserie fournie. Vissez les plaques de charnières dans les avant trous appropriés des côtés de meuble. Fixez les caches de trous avec la visserie fournie (voir l'illustration 4).

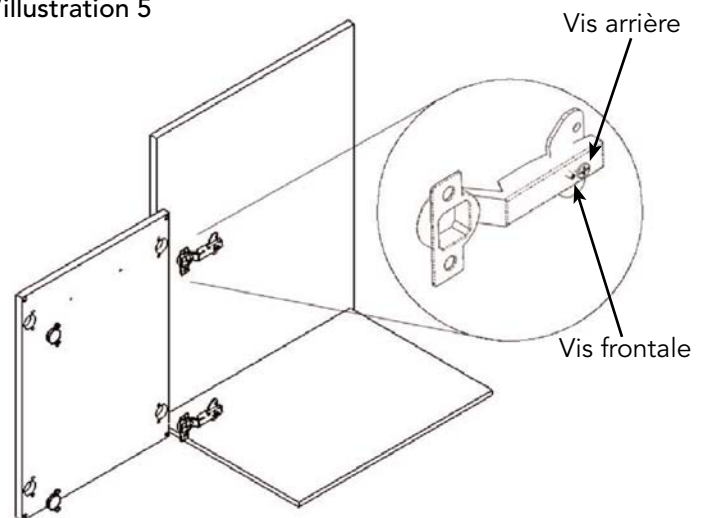
l'illustration 4



7. Les portes de meubles peuvent être réglées quand les meubles sont bien de niveau en position finale. Il y a deux vis de réglage sur le receveur de charnière (voir l'illustration 5).

- La vis frontale est utilisée pour centrer la porte dans son ouverture. En la tournant dans un sens ou l'autre le centrage de porte se modifie par rapport à l'ouverture du meuble.
- La vis arrière est utilisée pour aligner le devant de la porte avec le caisson de meuble et à fixer la porte sur le meuble. Desserrez légèrement cette vis pour faire rentrer ou sortir la porte. Resserez cette vis pour fixer la porte en position.

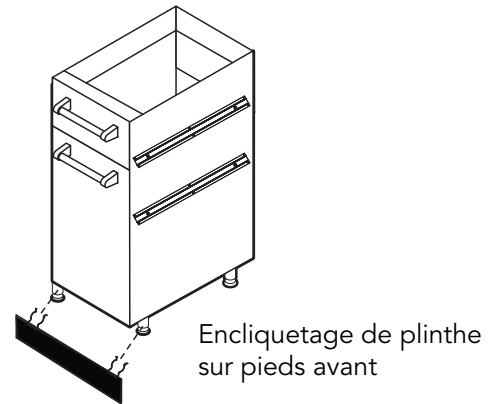
l'illustration 5



INSTALLATION

8. Si vous le souhaitez, encliquez sur les pieds à l'avant la plinthe incluse avec le meuble (voir l'illustration 6).

l'illustration 6



9. INSTALLATION DU PANNEAU LATÉRAL (fin de rangée uniquement)

- Enlevez tous les tiroirs (s'il y a lieu).
- Enlevez tout le revêtement protecteur du panneau et montez-le en utilisant les vis tek 10 x 1/2" fournies (voir l'illustration 7).
- Fixez la plinthe sur les pieds (voir l'illustration 6).

REMARQUE :

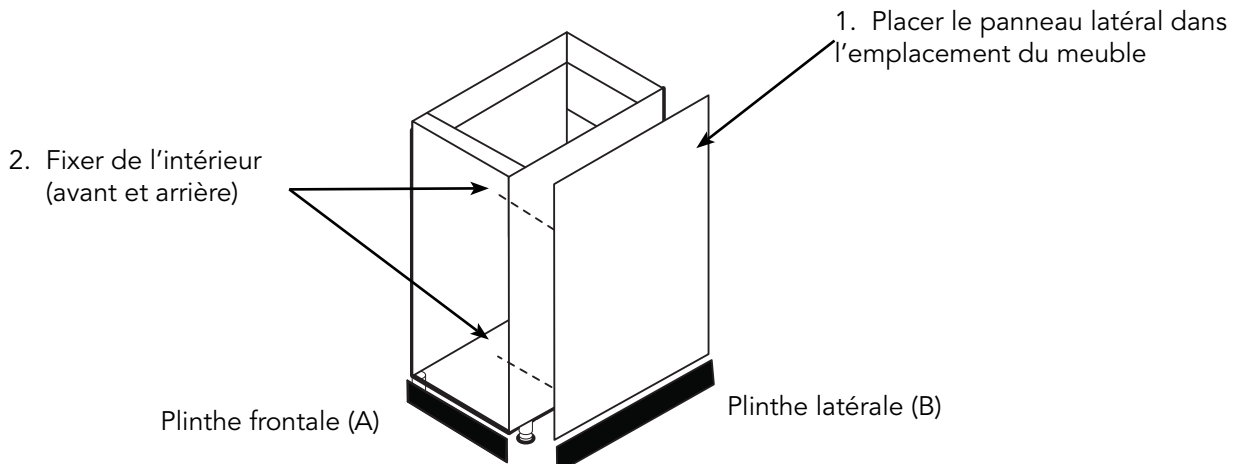
INSTALLATIONS CONTRE MUR :

La partie avant de la plinthe latérale doit être raccourcie pour s'adapter à la plinthe frontale (voir l'illustration 7).
La matériau plastique peut se couper avec n'importe quelle lame de scie à bois.

INSTALLATIONS EN ÎLOTS :

Il faut adapter les plinthes latérales, avant et arrière (voir l'illustration 7).

l'illustration 7



Installation de panneau côté gauche
Idem pour le côté droit)

	Plinthes Dimensions	
	Installations Contre Mur	Installations En Îlots
Plinthe frontale (A)	16 3/4" (42.5 cm)	16 3/4" (42.5 cm)
Plinthe latérale (B)	27 1/4" (61.6 cm)	25 1/2" (64.8 cm)
Plinthe arrière (C)	N/A	16 3/4" (42.5 cm)

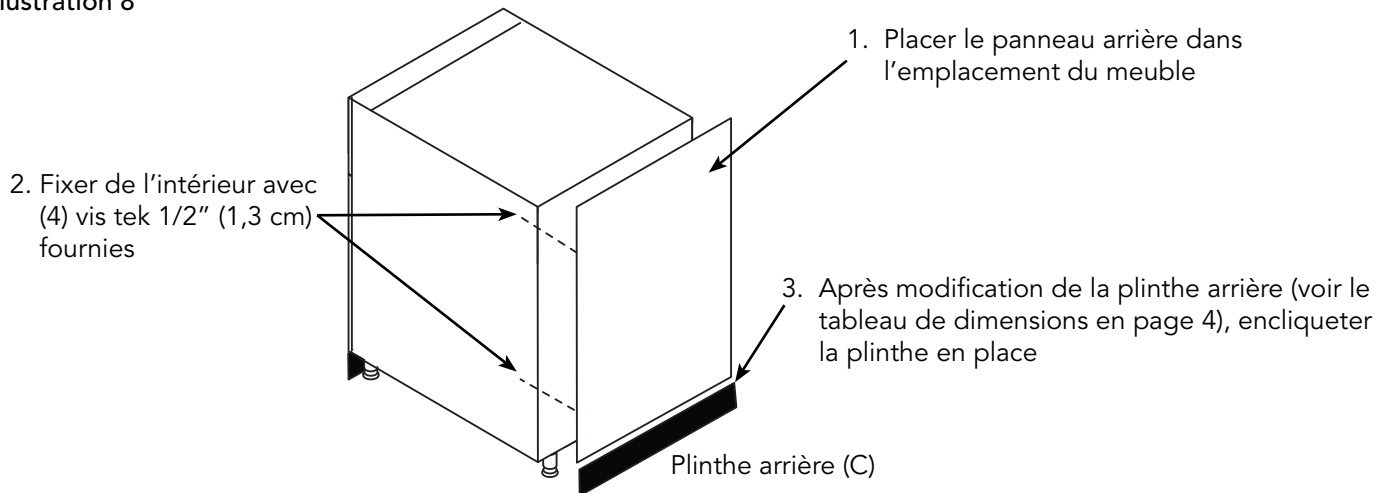
INSTALLATION

10. INSTALLATION DU PANNEAU ARRIÈRE

- Enlevez tout le revêtement protecteur du panneau et montez-le en utilisant les vis tek 10 x 1/2" (1,3 cm) fournies (voir l'illustration 8).
- Fixez la plinthe arrière sur les pieds (voir l'illustration 8).

REMARQUE : Pour extrémités de rangée, il faut adapter les plinthes latérales, avant et arrière (voir les illustrations 7 et 8).

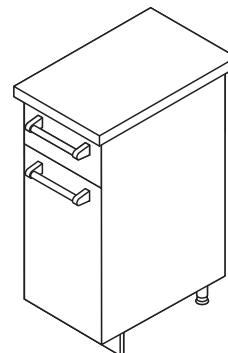
l'illustration 8



11. INSTALLATION DE PLAN DE TRAVAIL DE FOURNITURE LOCALE

Les petits meubles d'extérieur sont conçus pour une épaisseur minimale de plan de travail de 2,9 cm (1-1/8") comme on en trouve avec du matériau à granite ou quartz. Si on utilise un plan d'épaisseur supérieure à 3,8 cm (1-1/2"), les appareils supportés devront être réglés à la hauteur appropriée. Pour trouver des exemples d'installations courantes, voir le guide de planification pour inox.

12. Installer les appareils en suivant leurs instructions d'installation respectives.

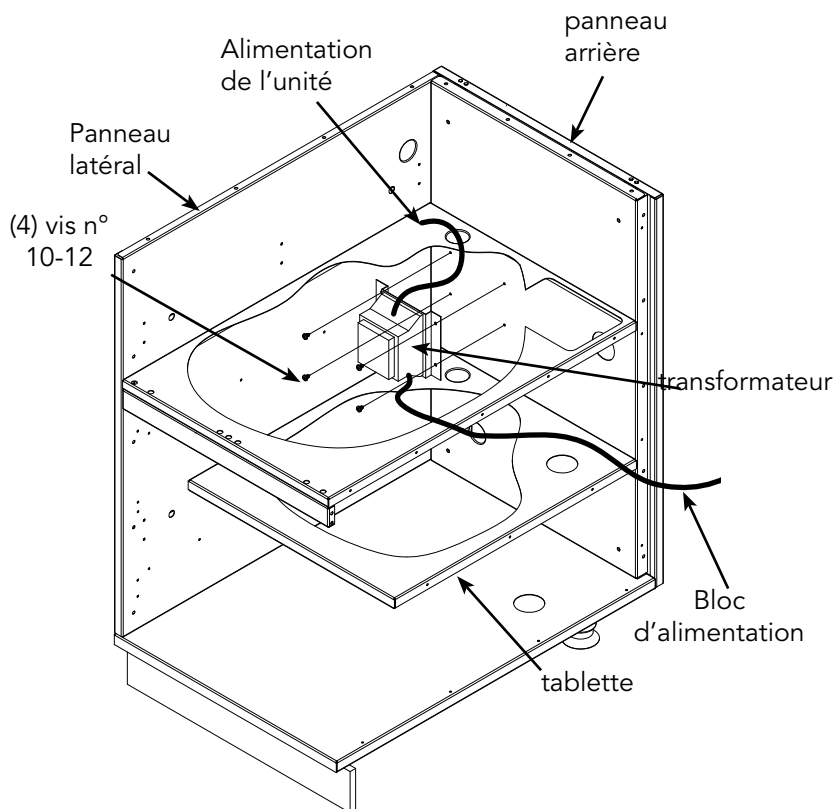


INSTALLATION

Installation du transformateur

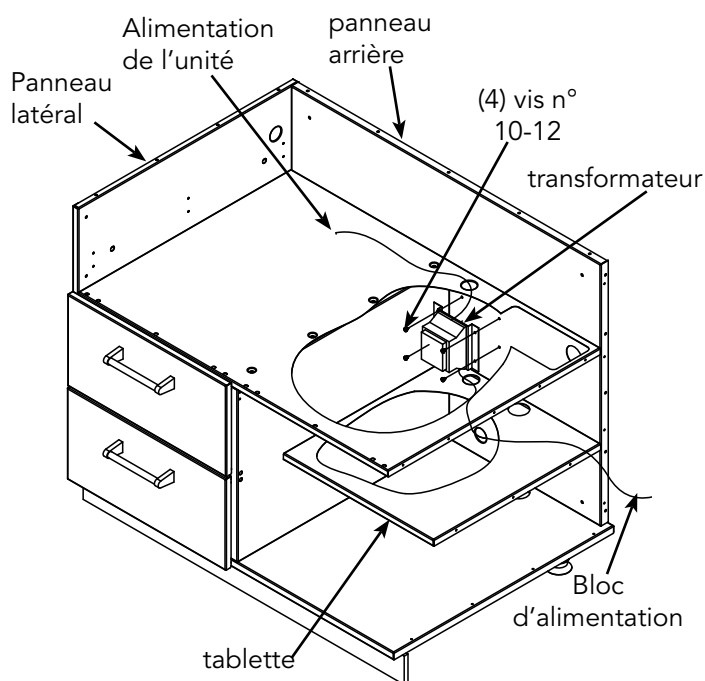
Pour les modèles VBBO5160/VBBO5260

1. Le transformateur doit être monté à l'intérieur de l'encadrement.
2. Si vous installez une grille Viking sur un côté du brûleur, vous trouverez un trou sur un côté de l'encadrement fourni, afin de raccorder la grille au brûleur électrique ou au brûleur latéral.
3. Dans le cas contraire, repérez les quatre trous du panneau arrière et passez la fiche CA à travers le trou de la tablette et le trou du panneau arrière.
4. Alignez les trous du transformateur avec ceux du panneau arrière.
5. Utilisez les (4) vis n° 10-12 fournies avec un embout Torx T25 pour fixer à l'aide d'une visseuse le transformateur au panneau arrière.
6. Passez le connecteur à travers le trou ci-dessus pour le raccorder au brûleur latéral ou au brûleur électrique.



Pour les modèles VQBO5420

1. Le transformateur doit être monté à l'intérieur de l'encadrement.
2. Repérez les quatre trous dans le panneau arrière et passez la fiche CA à travers le trou de la tablette et le trou du panneau arrière.
3. Alignez les trous du transformateur avec ceux du panneau arrière.
4. Utilisez les (4) vis n° 10-12 fournies avec un embout Torx T25 pour fixer à l'aide d'une visseuse le transformateur au panneau arrière.
5. Passez le connecteur à travers le trou ci-dessus pour le raccorder à la grille.
6. Si vous installez un brûleur latéral Viking ou un brûleur électrique sur un côté de la grille, vous trouverez un trou sur un côté de l'encadrement fourni, afin de raccorder le connecteur de la grille aux brûleurs.

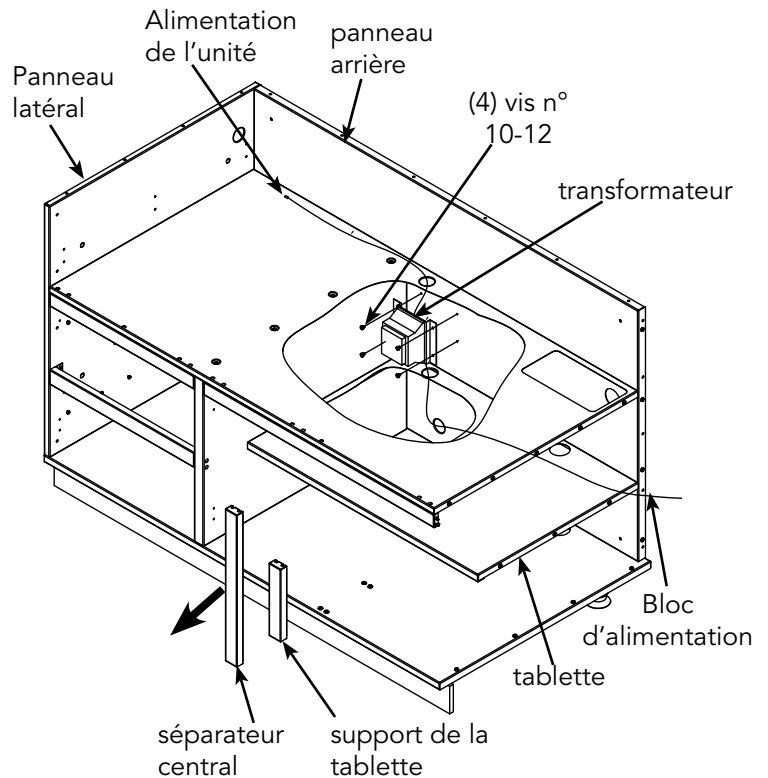


INSTALLATION

Installation du transformateur

Pour les modèles VQBO5540

1. Le transformateur doit être monté à l'intérieur de l'encadrement.
2. Saisissez le séparateur central entre les deux portes à l'intérieur de l'encadrement et tirez fermement pour l'extraire.
3. Saisissez le support de la tablette (derrière le séparateur central tout juste retiré) et tirez fermement pour l'extraire.
4. Repérez les quatre trous dans le panneau arrière et passez la fiche CA à travers le trou de la tablette et le trou du panneau arrière.
5. Alignez les trous du transformateur avec ceux du panneau arrière.
6. Utilisez les (4) vis no 10-12 fournies avec un embout Torx T25 pour fixer à l'aide d'une visseuse le transformateur au panneau arrière.
7. Passez le connecteur à travers le trou ci-dessus pour le raccorder à la grille.
8. Fixez de nouveau le support de la tablette en alignant les fentes avec les vis à épaulement et en la repoussant par glissement.
9. Fixez de nouveau le séparateur central en alignant les fentes avec les vis à épaulement et en le repoussant par glissement.
10. Si vous installez un brûleur latéral Viking ou un brûleur électrique sur un côté de la grille, vous trouverez un trou sur un côté du meuble fourni, afin de raccorder le connecteur de la grille aux brûleurs.



NETTOYAGE ET ENTRETIEN

⚠ ATTENTION

- Ne pas utiliser d'agents de nettoyage contenant du chlore ou des composés au chlore sur la finition en inox. Le chlore ou les composés au chlore sont corrosifs pour l'inox.
- Ne pas utiliser de couteau métallique ou autre outil métallique pour gratter des parties en inox.
- Ne pas laisser stagner du jus de citron ou de tomate sur des surfaces en inox, leur acide citrique décolorerait de façon permanente l'inox. Essuyer immédiatement toute éclaboussure.
- Ne pas utiliser de nettoyeurs abrasifs, de tampons en paille de fer, ou de tissus abrasifs, car cela rayerait le produit.

1. Enlevez soigneusement la couche de plastique de protection de chacune des surfaces en inox. Nettoyez l'inox avec un produit nettoyant pour inox en passant dans le sens du grain. N'utilisez que des produits spéciaux pour inox, en frottant toujours dans le sens du grain, sinon cela provoquerait des petites éraflures. Parmi les bons nettoyeurs sont recommandés Magic™ pour inox et Sheila Shine™.
2. En environnement avec air salin, des petites quantités de rouille peuvent s'accumuler sur les pièces en inox. Un nettoyant pour inox un peu plus huileux, comme du Sheila Shine™, protégera mieux contre l'oxydation et la légère rouille de surface. Nettoyer périodiquement les surfaces protégera leur finition pour de nombreuses années.

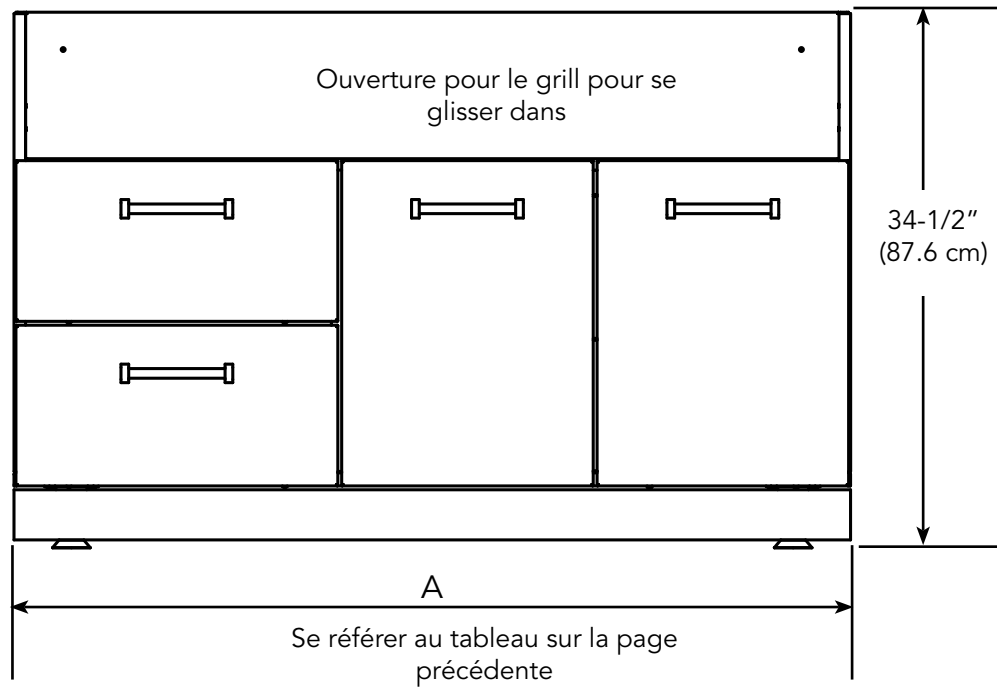
SPÉCIFICATIONS DE BASE

	LARGEUR TOTALE	HAUTEUR TOTALE	PROFONDEUR TOTALE
VBBO1601	15 5/8" (939,7 cm)	34 1/2" (87.6 cm)	29 7/8" (75.9 cm)
VBBO2602	26 3/8" (67.0 cm)	34 1/2" (87.6 cm)	29 7/8" (75.9 cm)
VBBO5160	14 1/2" (36.8 cm)	34 1/2" (87.6 cm)	29 7/8" (75.9 cm)
VBBO5260	20 1/4" (51.4 cm)	34 1/2" (87.6 cm)	29 7/8" (75.9 cm)
VBO1811, including doors	18" (45.7 cm)	34 1/2" (87.6 cm)	29 7/8" (75.9 cm)
VTPO1810, including doors	18" (45.7 cm)	34 1/2" (87.6 cm)	29 7/8" (75.9 cm)
VBO1830, including doors	18" (45.7 cm)	34 1/2" (87.6 cm)	29 7/8" (75.9 cm)
VSBO2402, including doors	24" (61.0 cm)	34 1/2" (87.6 cm)	29 7/8" (75.9 cm)
VQBO4121, VQWO4120	41 7/8" (106.4 cm)	34 1/2" (87.6 cm)	29 7/8" (75.9 cm)
VQBO5322, VQWO5311	53 7/8" (136.8 cm)	34 1/2" (87.6 cm)	29 7/8" (75.9 cm)
VQBO5420	42 1/4" (107.3 cm)	34 1/2" (87.6 cm)	29 7/8" (75.9 cm)
VQBO5540	54 1/4" (137.8 cm)	34 1/2" (87.6 cm)	29 7/8" (75.9 cm)
VURO3200	32" (81.3 cm)	34 1/2" (87.6 cm)	29 7/8" (75.9 cm)
VBPFLR4	4" (10.2 cm)	34 1/2" (87.6 cm)*	3/4" (1.9 cm)
VFLR4	4" (10.2 cm)	34 1/2" (87.6 cm)*	3/4" (1.9 cm)
VBFLR8	8" (20.3 cm)	34 1/2" (87.6 cm)*	3/4" (1.9 cm)
VFLR8	8" (20.3 cm)	34 1/2" (87.6 cm)*	3/4" (1.9 cm)
VSP30	29 7/8" (75.9 cm)	34 1/2" (87.6 cm)*	0"
VCF90	3" (7.6 cm)**	34" (86.4 cm)*	3/4" (1.9 cm)
VOCF90	33" (83.8 cm)**	34 1/2" (87.6 cm)*	3/4" (1.9 cm)
VCF135	3" (7.6 cm)**	34 1/2" (87.6 cm)*	3/4" (1.9 cm)
VOCF135	15 1/2" (39.4 cm)**	34 1/2" (87.6 cm)*	3/4" (1.9 cm)
VBP16	16" (40.6 cm)	34 1/2" (87.6 cm)*	3/4" (1.9 cm)
VBP18	18" (45.7 cm)	34 1/2" (87.6 cm)*	3/4" (1.9 cm)
VBP24	24" (61.0 cm)	34 1/2" (87.6 cm)*	3/4" (1.9 cm)
VBP26	26 3/8" (67.0 cm)	34 1/2" (87.6 cm)*	3/4" (1.9 cm)
VBP32	32" (81.3 cm)	34 1/2" (87.6 cm)*	3/4" (1.9 cm)
VBP41	41 7/8" (106.4 cm)	34 1/2" (87.6 cm)*	3/4" (1.9 cm)
VBP53	53 7/8" (136.8 cm)	34 1/2" (87.6 cm)*	3/4" (1.9 cm)

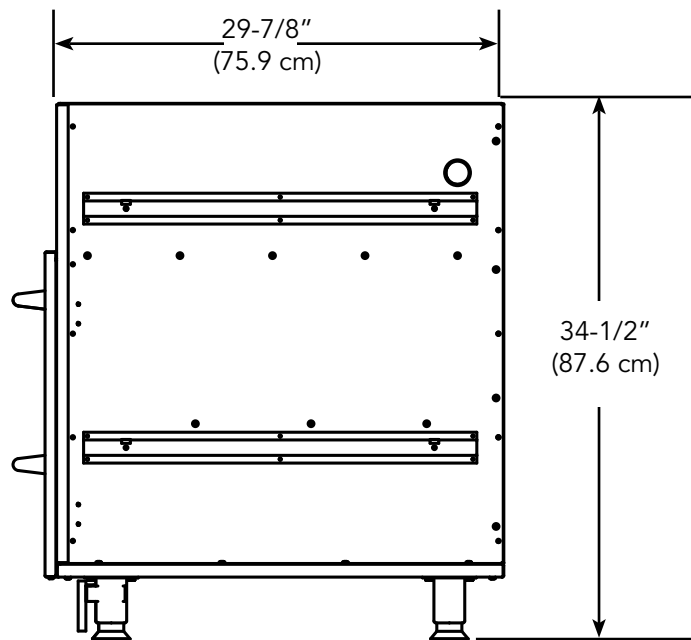
*Incluant la plinthe fournie

**Depuis l'intérieur d'angle jusqu'au prochain meuble

Vue de face



Vue de côté



INFORMATIONS SUR L'ENTRETIEN

Si un entretien est nécessaire, contactez votre centre de réparation agréé.

Préparez les informations suivantes de manière à ce qu'elles soient facilement disponibles :

- Numéro de modèle
- Numéro de série
- Date d'achat
- Nom du distributeur qui vous a vendu le produit

Décrivez clairement votre problème. Si vous n'arrivez pas à obtenir le nom d'un centre de réparation agréé, ou si les problèmes d'entretien persistent, contactez Viking Range au 1-888-845-4641, ou écrivez à :

**VIKING RANGE, LLC
SERVICE PRIVILÉGIÉ
111 Front Street
Greenwood, Mississippi 38930 É.-U.**

Veuillez conserver les informations ci-dessous. Elles vous seront nécessaires en cas d'opération d'entretien.

Numéro de modèle _____ Numéro de série _____

Date d'achat _____ Date d'installation _____

Nom du distributeur _____

Adresse _____

Si l'entretien nécessite l'installation de pièces, utilisez uniquement des pièces autorisées pour être couvert par la garantie.

Conservez ce manuel pour référence ultérieure.

GARANTIE

GARANTIE PETITS MEUBLES D'EXTERIEUR- SÉRIE PROFESSIONNELLE GARANTIE COMPLÈTE DE DEUX ANS

Les petits meubles d'extérieur et toutes leurs pièces, à l'exception de ce qui est détaillé ci-dessous*, sont garantis contre tout défaut de matériaux ou de fabrication en utilisation résidentielle normale pendant deux (2) ans à partir de la date d'achat d'origine ou la date d'achèvement d'une construction neuve, la période la plus longue étant à retenir. Le garant, Viking Range, LLC, réparera ou remplacera, à sa discrétion, toute pièce en panne ou défectueuse pendant la période de garantie.

*GARANTIE ESTHÉTIQUE COMPLÈTE DE QUATRE-VINGT-DIX (90) JOURS : Les éléments décoratifs sont garantis contre tout défaut de matériaux ou de fabrication (tel que des rayures sur l'inox, etc.) pendant quatre-vingt-dix (90) jours à compter de la date d'achat d'origine. TOUT DÉFAUT DOIT ÊTRE SIGNALÉ AU REVENDEUR DANS LES QUATRE-VINGT-DIX (90) JOURS SUIVANT LA DATE D'ACHAT D'ORIGINE. Viking Range, LLC utilise les procédés les plus performants et les meilleurs matériaux disponibles pour produire toutes les finitions. Cependant, une légère variation de couleur peut être remarquée à cause des différences liées à l'éclairage, à l'emplacement du produit et à d'autres facteurs. Par conséquent, cette garantie ne s'applique pas aux variations liées à ces facteurs.

GARANTIE LIMITÉE DE DEUX ANS

Toutes charnières de portes ou glissières de tiroirs qui s'avèreraient défectueuses par défauts dus aux matériaux ou à la main d'œuvre au cours d'une utilisation domestique normale durant la seconde année à compter de la date d'achat d'origine seront réparées ou remplacées, sans frais pour les pièces elles-mêmes, le propriétaire payant tous les autres coûts, y compris la main d'œuvre.

Cette garantie est donnée à l'acheteur d'origine du produit garanti en ceci et à chaque propriétaire cessionnaire du produit durant la période de garantie.

CONDITIONS GÉNÉRALES

Cette garantie s'applique à l'acheteur d'origine du produit garanti selon les modalités définies et à chaque acquéreur du produit pendant la période de garantie et elle s'applique aux produits achetés et se trouvant aux États-Unis et au Canada. Les produits doivent avoir été achetés dans le pays où vous demandez un entretien. Si le produit ou l'une de ses pièces contient un défaut ou fonctionne mal pendant la période de garantie complète après que le garant a tenté un nombre raisonnable de fois de remédier au défaut ou au mauvais fonctionnement, le propriétaire obtiendra un remboursement ou le remplacement du produit ou de la (des) pièce(s). Le remplacement d'une pièce comprend son installation gratuite, à l'exception de ce qui est spécifié dans la garantie limitée. Selon cette garantie, l'entretien doit être effectué par un agent d'entretien ou un représentant agréé par Viking Range, LLC. L'entretien sera réalisé pendant les heures normales de travail et le travail effectué en heures supplémentaires ou en tarif majoré ne sera pas couvert par cette garantie.

Le propriétaire est responsable de l'installation correcte, doit s'assurer qu'un entretien nécessaire et raisonnable est réalisé, doit fournir une preuve d'achat sur demande et rendre l'appareil raisonnablement accessible pour l'entretien. Le renvoi de la carte d'enregistrement du propriétaire n'est pas une condition de garantie. Vous devrez toutefois renvoyer la carte d'enregistrement du propriétaire pour permettre à Viking Range, LLC de prendre contact avec vous au sujet de problèmes de sécurité éventuels pouvant vous concerner. Cette garantie vous donne des droits légaux spécifiques et vous pouvez également avoir d'autres droits, qui varient d'une juridiction à l'autre.

EXCLUSION DE GARANTIE : Cette garantie ne s'applique pas aux dommages qui résultent d'abus, d'absence d'entretien nécessaire et raisonnable, d'accident, de livraison, de négligence, de catastrophe naturelle, de perte d'alimentation électrique sur le produit pour quelque raison que ce soit, de modifications, d'une utilisation extérieure, d'une installation incorrecte, d'un fonctionnement incorrect ou de réparations ou d'entretien du produit réalisés par toute autre personne qu'un agent d'entretien ou un représentant autorisé par Viking Range, LLC. Cette garantie ne s'applique pas à un usage commercial.

LIMITATION DES RECOURS ET DURÉE DE LA GARANTIE IMPLICITE LE RECOURS UNIQUE ET EXCLUSIF DU PROPRIÉTAIRE POUR UNE RÉCLAMATION DE QUELQUE NATURE QUE CE SOIT CONCERNANT CE PRODUIT SERA L'ENSEMBLE DES RECOURS DÉFINIS CI-DESSUS. VIKING RANGE, LLC N'EST PAS RESPONSABLE DES DOMMAGES CONSÉCUTIFS OU INDIRECTS, INCLUANT MAIS NE SE LIMITANT PAS À LA PERTE D'ALIMENTS OU DE MÉDICAMENTS, À CAUSE D'UNE PANNE DU PRODUIT, SURVENANT EN VIOLATION DE GARANTIE, EN VIOLATION DE CONTRAT OU AUTRE. Certaines juridictions n'autorisent pas l'exclusion ou la limitation de dommages indirects ou consécutifs. Dans ce cas, cette disposition ne s'appliquerait pas. **TOUTE GARANTIE IMPLICITE DE QUALITÉ MARCHANDE OU D'ADAPTATION À UN USAGE PARTICULIER APPLICABLE À CE PRODUIT A UNE DURÉE LIMITÉE À LA PÉRIODE COUVERTE PAR LES GARANTIES LIMITÉES ÉCRITES EXPLICITES APPLICABLES DÉFINIES CI-DESSUS.** Certains états n'autorisent pas les limitations de durée de garantie implicite. Dans ce cas, cette disposition ne s'appliquerait pas.

ENTRETIEN SOUS GARANTIE : Pour obtenir un entretien sous garantie, contactez un agent d'entretien autorisé par Viking Range, LLC, ou Viking Range, LLC, 111 Front Street, Greenwood, Mississippi 38930, (888) 845-4641. Fournissez les numéros de modèle et de série et la date d'achat d'origine ou la date d'achèvement d'une construction neuve. Pour obtenir le nom de l'agence d'entretien autorisée par Viking Range, LLC la plus proche, appelez Viking Range, LLC.

IMPORTANT : Conservez la preuve d'achat d'origine pour établir la période de garantie.

Les spécifications sont sujettes à modification sans préavis.

Viking Range, LLC
111 Front Street
Greenwood, Mississippi 38930 USA
(662) 455-1200

Pour des informations sur les produits,
appelez le 1-888-(845-4641)
ou visitez notre site web aux États-Unis au vikingrange.com

Manual de Uso y Instalación



Gabinetes para Exteriores

VBBO1601 / VBBO2602 / VBBO5160 / VBBO5260
VURO3200 / VBO1811 / VBO1830 / VSBO2402 / VTOP1810
VQBO4121 / VQBO5322 / VQBO5420 / VQBO5540 / VQWO4120 / VQWO5311

IMPORTANTE - POR FAVOR LEA Y CUMPLA

- Antes de empezar, por favor lea completamente y cuidadosamente estas instrucciones.
- No retire las etiquetas, advertencias o placas fijas del producto. Esto podría invalidar la garantía.
- Los gabinetes de acero inoxidable para exteriores de Viking no están diseñados como herméticos al agua. Existen algunas condiciones en las que el agua puede penetrar en los gabinetes.
- El instalador debe entregar las instrucciones al consumidor quien debe guardarlas para futura consulta.

⚠ ADVERTENCIA

NUNCA coloque tanques de LP dentro de ningún gabinete de acero inoxidable. Los tanques deben ubicarse en todo momento fuera de los gabinetes.

PARA INSTALAR LOS GABINETES:

1. Verifique que el número(s) de producto del gabinete indicado en la caja(s) coincida con el número(s) en la lista de gabinetes pedidos.
2. Desempaque cuidadosamente los gabinetes asegurándose de no rayar las partes delanteras. Los paneles delanteros están protegidos mediante un recubrimiento plástico (que debe retirarse después de la instalación). Los gabinetes con puertas intercambiables se envían desde la fábrica con la acción de apertura de puerta desde la izquierda hacia la derecha según se muestra (véase la ilustración #1).
3. En los gabinetes con puertas intercambiables, el paquete de herrajes contendrá las tapas de orificios y los herrajes para la instalación.

Ilustración #1

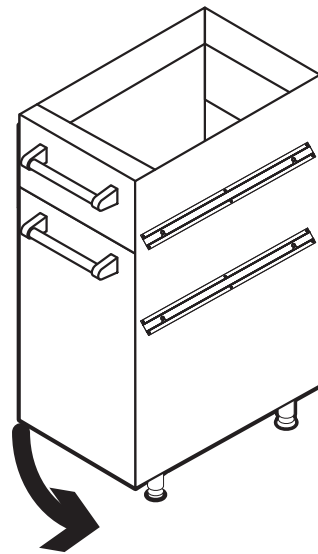
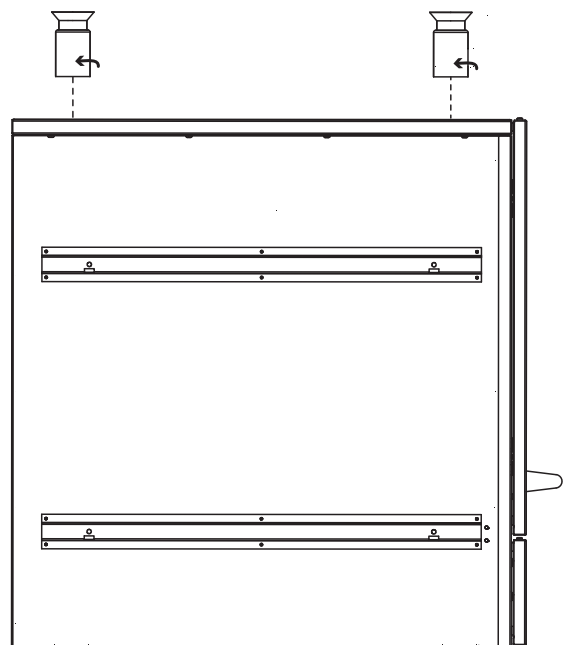


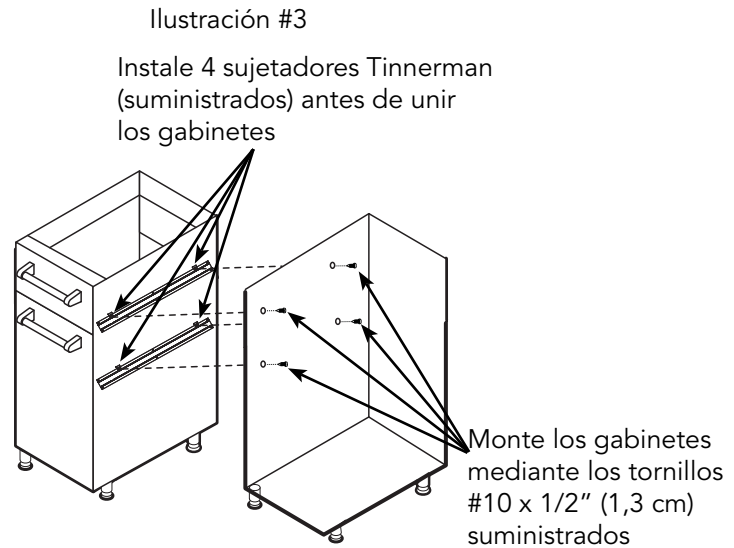
Ilustración #2

4. Instale 4 patas en las placas de patas sujetadas a la parte inferior de cada gabinete. Atornille en su sitio. (Véase la ilustración #2).

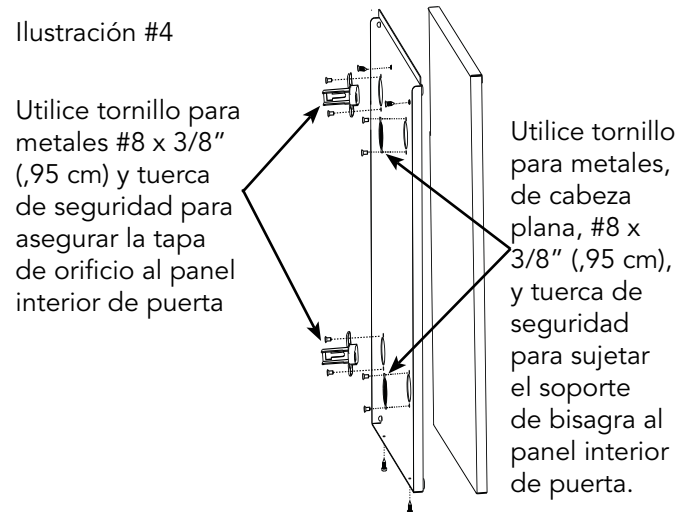


IMPORTANTE - POR FAVOR LEA Y CUMPLA

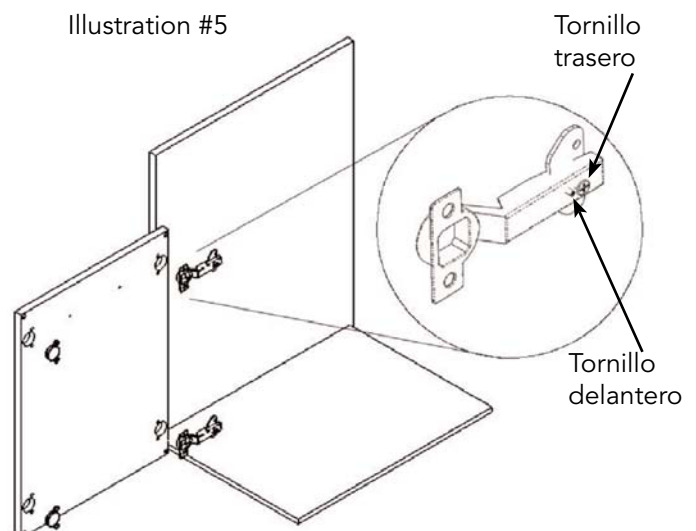
5. Coloque el gabinete(s) en la posición final aproximada. Nivele los gabinetes utilizando las patas de nivelación. Utilice tornillos para metales, de 1/2", suministrados para unir los gabinetes mediante tornillos. (Véase la ilustración #3).



6. Determine el lado de bisagras apropiado para los gabinetes con puertas intercambiables. Retire el panel exterior de la puerta. Instale las bisagras colocando la placa en el orificio de la puerta y sujete en su sitio mediante los herrajes suministrados. Atornille las placas de bisagra en los orificios pre-taladrados apropiados en el lado del gabinete. Sujete las tapas de orificio mediante los herrajes suministrados. (Véase la ilustración #4).



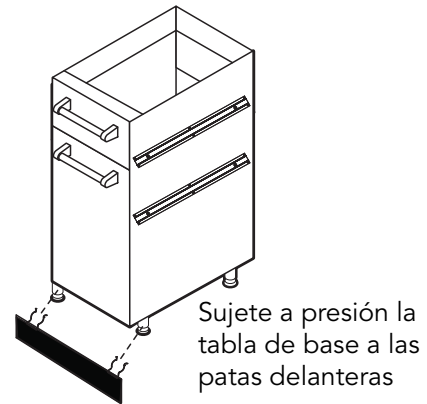
7. Las puertas del gabinete deben ajustarse cuando los gabinetes están nivelados en la posición final. Hay dos tornillos de ajuste en el receptor de bisagra. (Véase la ilustración #5)
- El tornillo delantero se utiliza para centrar la puerta en la abertura. Girar hacia adentro o afuera los tornillos delanteros centrará la puerta sobre la abertura del gabinete.
 - El tornillo trasero se utiliza para alinear la parte delantera de la puerta con el marco del gabinete y asegurar la puerta al gabinete. Afloje levemente el tornillo y deslice la puerta hacia adentro o afuera. Reapriete el tornillo para asegurar la puerta.



INSTALACIÓN

8. Si se desea, sujete a presión la tabla de base (incluida con cada unidad) a las patas delanteras. (Véase la ilustración #6).

Ilustración #6



9. INSTALACIÓN DE PANEL LATERAL [Extremo del recorrido (tramo) únicamente]

- Retire todas las gavetas. (Si es aplicable)
- Retire toda la cubierta protectora del panel e instale utilizando los tornillos auto-perforantes #10 x 1/2" suministrados. (Véase la ilustración #7)
- Sujete la tabla de base a las patas (véase la ilustración #6).

NOTA:

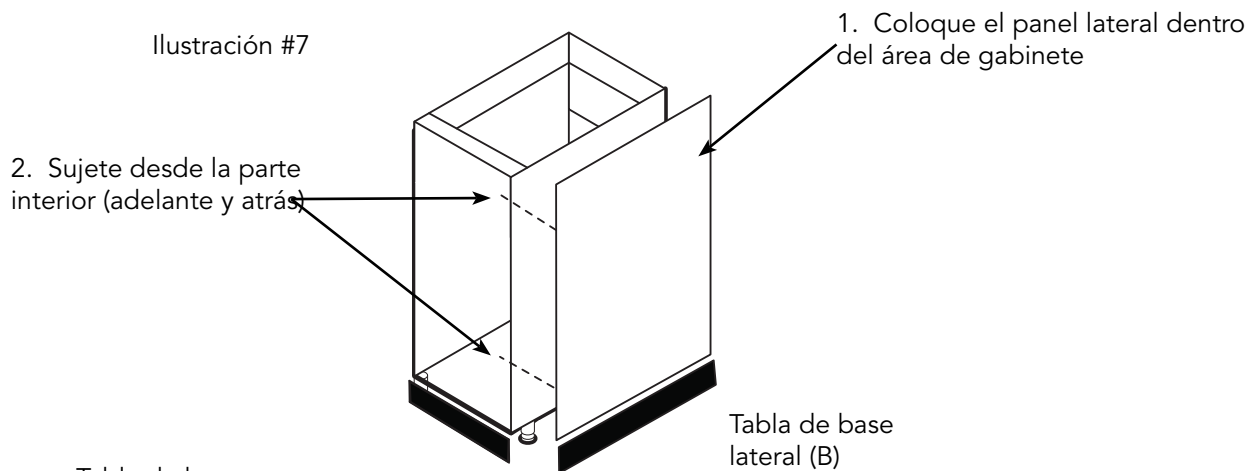
PARA INSTALACIONES EN PARED:

La parte delantera de la tabla de base lateral debe acortarse para que coincida con la tabla de base delantera. (Véase la ilustración #7). El material plástico puede cortarse con cualquier cuchilla de sierra común para madera.

PARA INSTALACIONES TIPO ISLA:

La tabla de base lateral, delantera, y trasera, deben modificarse (véase la ilustración #7)

Ilustración #7



Instalación del panel lateral izquierdo
(el panel lateral derecho se instala de la misma manera)

	Dimensiones de Tablas de Base	
	Instalación en pared	Instalación tipo isla
Tabla de base delantera (A)	16 3/4" (42.5 cm)	16 3/4" (42.5 cm)
Tabla de base lateral (B)	27 1/4" (61.6 cm)	25 1/2" (64.8 cm)
Tabla de base trasera	N/A	16 3/4" (42.5 cm)

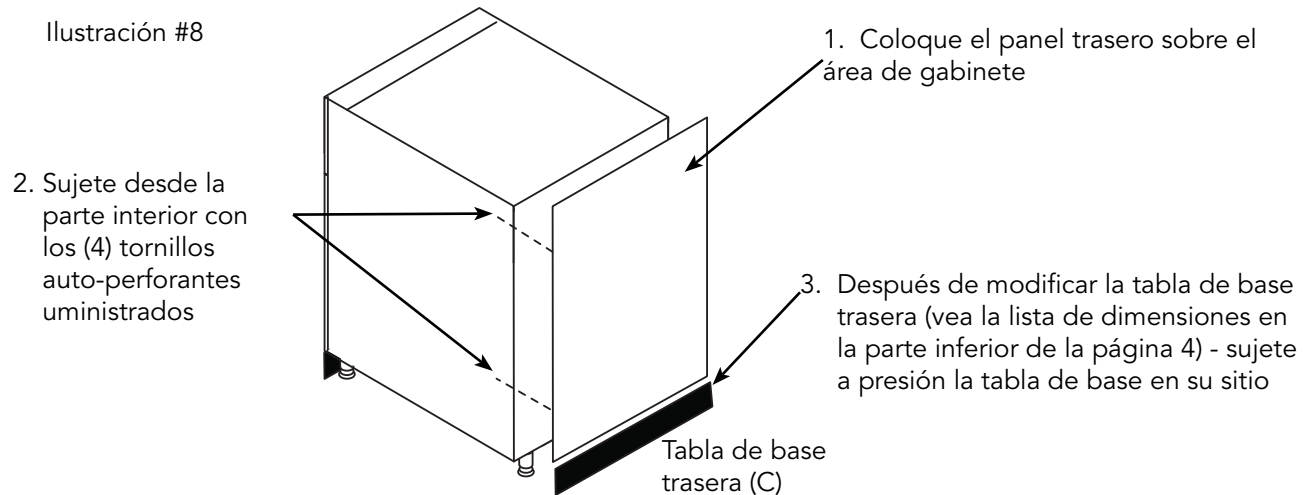
INSTALACIÓN

10. INSTALACIÓN DEL PANEL TRASERO

- Retire toda la cubierta protectora del panel e instale utilizando los tornillos auto-perforantes #10 x 1/2" suministrados. (Véase la ilustración #8).
- Sujete la tabla de base trasera a las patas. (Véase la ilustración #8).

NOTA: Para los paneles del extremo de recorrido (tramo); las tablas de base trasera, delantera y lateral deben modificarse. (Véase las ilustraciones #7 y #8)

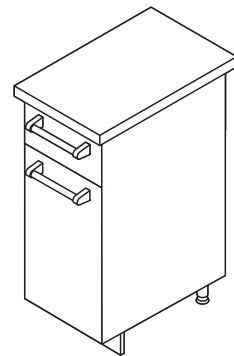
Ilustración #8



11. INSTALE EL MESÓN SUMINISTRADO LOCALMENTE

Los gabinetes para exteriores están diseñados para un espesor de mesón mínimo de 1-1/8" (2.9 cm.) tal como el que usted encontraría de material de granito o cuarzo. Si se utiliza un espesor de material de mesón superior a 1-1/2" (3.8 cm.), deben instalarse láminas de relleno a los aparatos hasta la altura apropiada. Para obtener ejemplos de instalaciones comunes, véase la Guía de Planeación para el Acero Inoxidable (Stainless Steel Planning Guide) de Viking.

12. Instale los aparatos según las instrucciones de instalación de cada aparato.

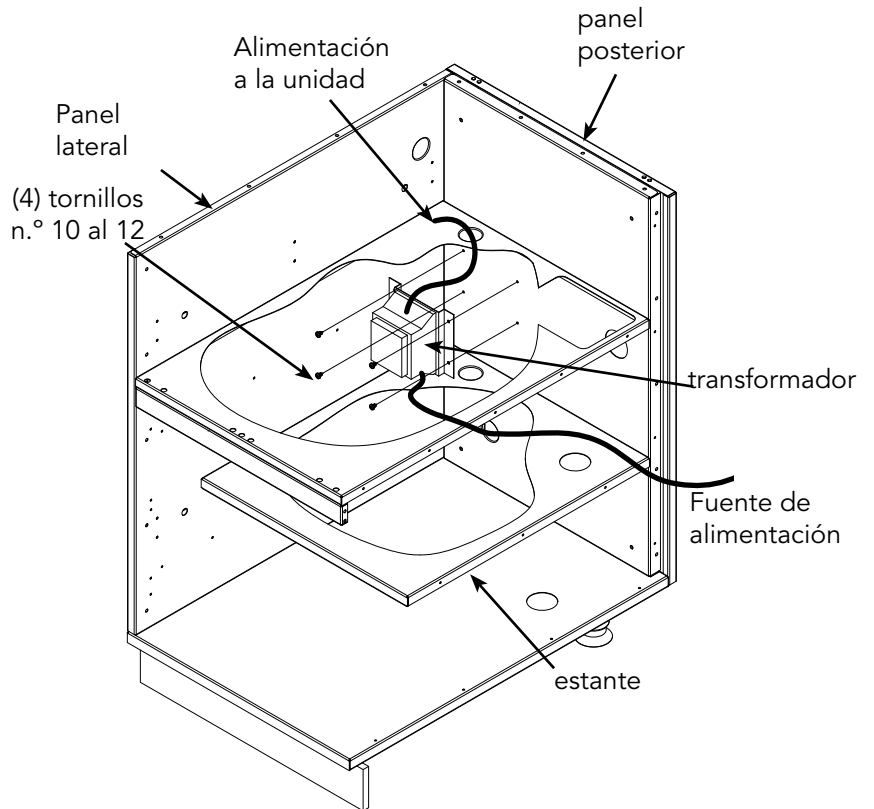


INSTALACIÓN

Instalación del transformador

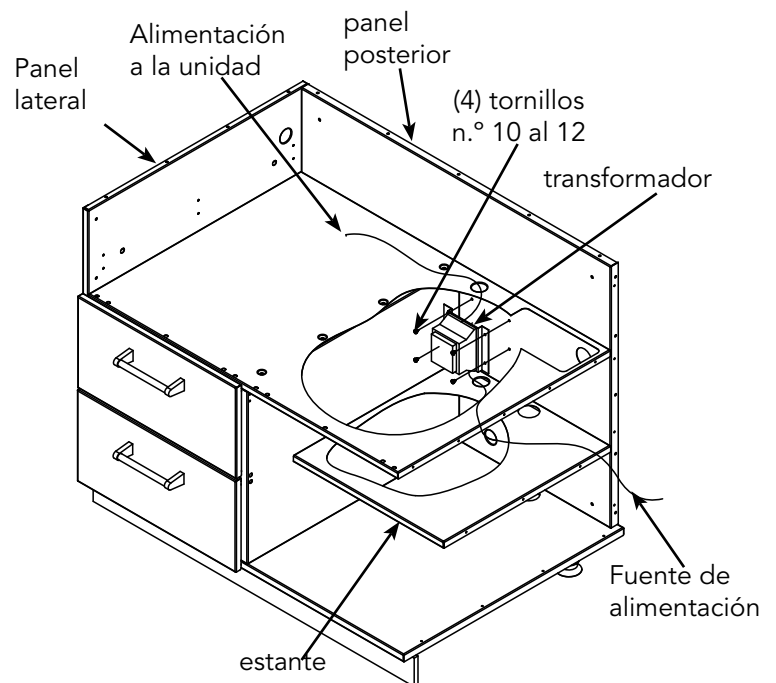
Para los modelos VBBO5160/VBBO5260

1. El transformador debe estar montado dentro del gabinete
2. Si está instalando una parrilla Viking a cada lado de la hornilla, hay un orificio en cada lado del gabinete provisto para conectar la parrilla al lado o a la unidad de potencia de la hornilla.
3. Si no está instalando una parrilla Viking en cada lado, ubique los cuatro orificios en el panel posterior y pase el enchufe de CA por el orificio del estante y por el orificio del panel posterior.
4. Alinee los orificios en el transformador con los orificios en el panel trasero.
5. Usando los (4) tornillos n.º 10 al 12 que se proporcionaron, adhiéralos con un taladro de punta torx T25 para asegurar el transformador al panel trasero.
6. Pase el conector por el orificio superior para conectarlo al lado o a la unidad de potencia de la hornilla.



Para los modelos VQBO5420

1. El transformador debe estar montado dentro del gabinete
2. Ubique los cuatro orificios en el panel posterior y pase el enchufe de CA por el orificio del estante y por el orificio del panel posterior.
3. Alinee los orificios en el transformador con los orificios en el panel trasero.
4. Usando los (4) tornillos n.º 10 al 12 que se proporcionaron, adhiéralos con un taladro de punta torx T25 para asegurar el transformador al panel trasero.
5. Pase el conector por el orificio superior para conectarlo a la parrilla
6. Si está instalando una hornilla lateral u hornilla de potencia Viking a ambos lados de la parrilla, hay un orificio en cada lado del gabinete provisto para alimentar el conector de la parrilla a las hornillas.

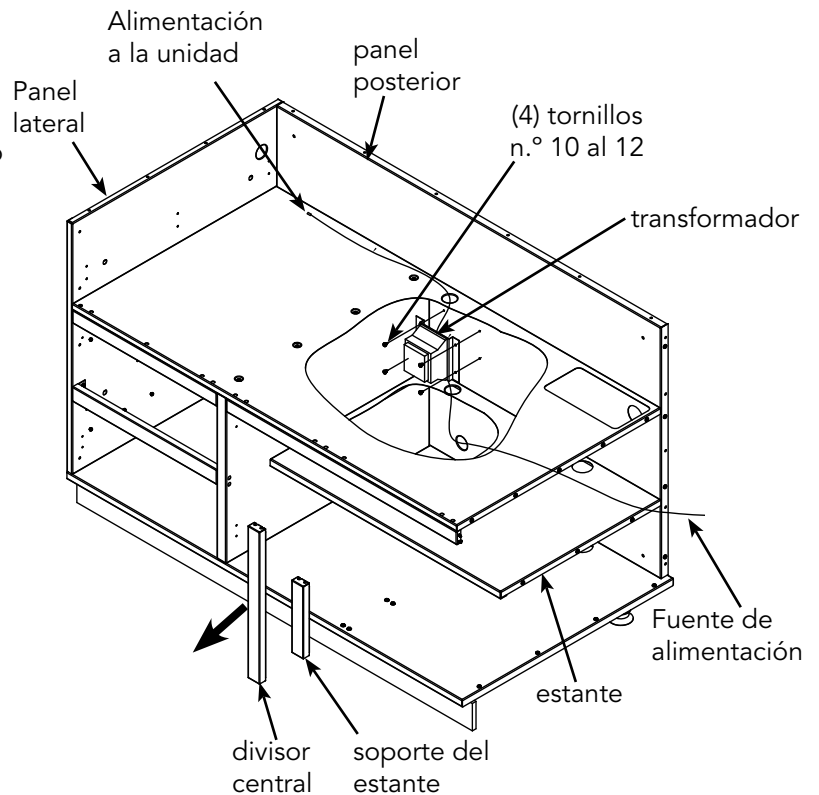


INSTALACIÓN

Instalación del transformador

Para los modelos VQBO5540

1. El transformador debe estar montado dentro del gabinete
2. Sujete el divisor central entre las dos puertas dentro del gabinete y sáquelo firmemente hacia afuera.
3. Sujete el soporte del estante (detrás del divisor central que se acaba de quitar) y sáquelo firmemente hacia afuera.
4. Ubique los cuatro orificios en el panel posterior y pase el enchufe de CA por el orificio del estante y por el orificio del panel posterior.
5. Alinee los orificios en el transformador con los orificios en el panel posterior
6. Usando los (4) tornillos n.º 10 al 12 que se proporcionaron, adhiéralos con un taladro de punta torx T25 para asegurar el transformador al panel posterior.
7. Pase el conector por el orificio superior para conectarlo a la parrilla.
8. Vuelva a colocar el soporte de la repisa alineando las ranuras con los tornillos con pivote y deslizándolo hacia adentro nuevamente.
9. Vuelva a colocar el divisor central alineando las ranuras con los tornillos con pivote y deslizándolo hacia adentro nuevamente.
10. Si está instalando una hornilla lateral u hornilla de potencia Viking a ambos lados de la parrilla, hay un orificio en cada lado del gabinete provisto para alimentar el conector de la parrilla a las hornillas.



CUIDADO Y MANTENIMIENTO



PRECAUCIÓN

- No use ningún agente de limpieza con cloro ni compuestos de color sobre el acabado de acero inoxidable. Los compuestos de cloro y el cloro son corrosivos para el acero inoxidable.
- No utilice cuchillo metálico ni ninguna otra herramienta metálica para raspar las piezas de acero inoxidable.
- No permita que el jugo de limón o tomate permanezca sobre las superficies de acero inoxidable, ya que el ácido cítrico decolora permanentemente el acero inoxidable. Limpie inmediatamente cualquier derrame.
- No utilice limpiadores abrasivos, almohadillas de lana de acero, o trapos abrasivos, ya que éstos rayarán el producto.

1. Retire cuidadosamente el recubrimiento plástico protector de cada superficie de acero inoxidable. Limpie el acero inoxidable en dirección del grano con limpiador para acero inoxidable. Limpie el acero inoxidable con cualquier producto hecho para acero inoxidable. Siempre restriegue en la dirección del grano. Restregar transversalmente con respecto a la dirección del grano podría producir rasguños menores. Algunos buenos limpiadores son: Stainless Steel Magic™, y Sheila Shine™.
2. En un ambiente de aire salino, odrían acumularse pequeñas cantidades de herrumbre en las piezas de acero inoxidable. Un limpiador levemente más aceitoso tal como el Sheila Shine™ protegerá mejor contra la oxidación o la herrumbre leve de superficies. Limpiar periódicamente las superficies protegerá el acabado durante muchos años.

ESPECIFICACIONES BÁSICAS

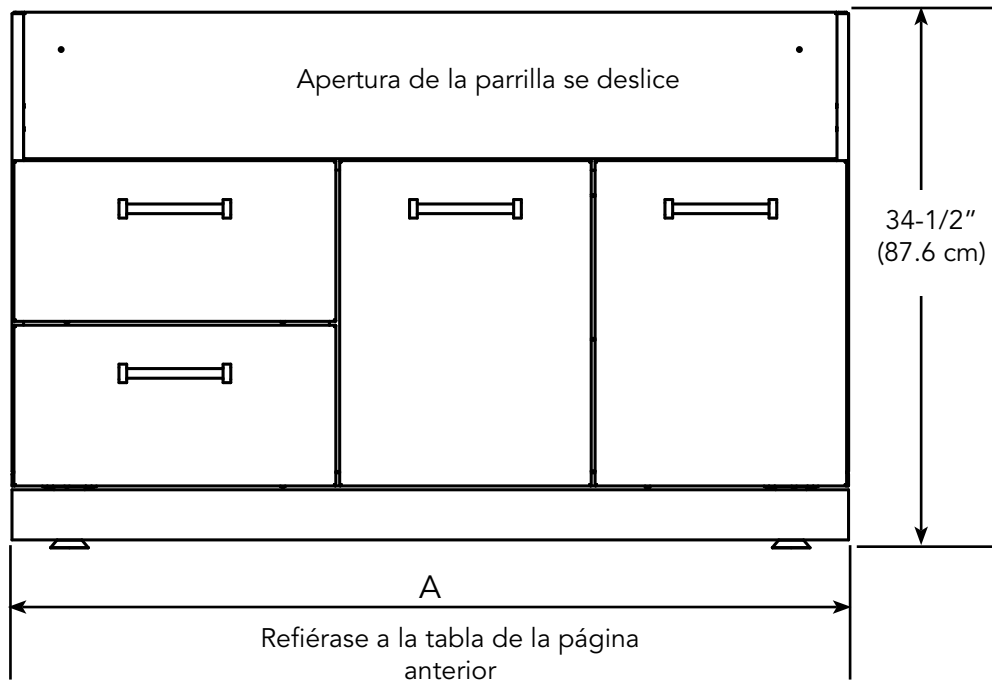
	ANCHO TOTAL	ALTURA TOTAL	PROFUNDIDAD TOTAL
VBBO1601	15 5/8" (939.7 cm)	34 1/2" (87.6 cm)	29 7/8" (75.9 cm)
VBBO2602	26 3/8" (67.0 cm)	34 1/2" (87.6 cm)	29 7/8" (75.9 cm)
VBBO5160	14 1/2" (36.8 cm)	34 1/2" (87.6 cm)	29 7/8" (75.9 cm)
VBBO5260	20 1/4" (51.4 cm)	34 1/2" (87.6 cm)	29 7/8" (75.9 cm)
VBO1811, incluyendo puertas	18" (45.7 cm)	34 1/2" (87.6 cm)	29 7/8" (75.9 cm)
VTPO1810, incluyendo puertas	18" (45.7 cm)	34 1/2" (87.6 cm)	29 7/8" (75.9 cm)
VBO1830, incluyendo puertas	18" (45.7 cm)	34 1/2" (87.6 cm)	29 7/8" (75.9 cm)
VSBO2402, incluyendo puertas	24" (61.0 cm)	34 1/2" (87.6 cm)	29 7/8" (75.9 cm)
VQBO4121, VQWO4120	41 7/8" (106.4 cm)	34 1/2" (87.6 cm)	29 7/8" (75.9 cm)
VQBO5322, VQWO5311	53 7/8" (136.8 cm)	34 1/2" (87.6 cm)	29 7/8" (75.9 cm)
VQBO5420	42 1/4" (107.3 cm)	34 1/2" (87.6 cm)	29 7/8" (75.9 cm)
VQBO5540	54 1/4" (137.8 cm)	34 1/2" (87.6 cm)	29 7/8" (75.9 cm)
VURO3200	32" (81.3 cm)	34 1/2" (87.6 cm)	29 7/8" (75.9 cm)
VBPFRL4	4" (10.2 cm)	34 1/2" (87.6 cm)*	3/4" (1.9 cm)
VFLR4	4" (10.2 cm)	34 1/2" (87.6 cm)*	3/4" (1.9 cm)
VBFLR8	8" (20.3 cm)	34 1/2" (87.6 cm)*	3/4" (1.9 cm)
VFLR8	8" (20.3 cm)	34 1/2" (87.6 cm)*	3/4" (1.9 cm)
VSP30	29 7/8" (75.9 cm)	34 1/2" (87.6 cm)*	0"
VCF90	3" (7.6 cm)**	34" (86.4 cm)*	3/4" (1.9 cm)
VOCF90	33" (83.8 cm)**	34 1/2" (87.6 cm)*	3/4" (1.9 cm)
VCF135	3" (7.6 cm)**	34 1/2" (87.6 cm)*	3/4" (1.9 cm)
VOCF135	15 1/2" (39.4 cm)**	34 1/2" (87.6 cm)*	3/4" (1.9 cm)
VBP16	16" (40.6 cm)	34 1/2" (87.6 cm)*	3/4" (1.9 cm)
VBP18	18" (45.7 cm)	34 1/2" (87.6 cm)*	3/4" (1.9 cm)
VBP24	24" (61.0 cm)	34 1/2" (87.6 cm)*	3/4" (1.9 cm)
VBP26	26 3/8" (67.0 cm)	34 1/2" (87.6 cm)*	3/4" (1.9 cm)
VBP32	32" (81.3 cm)	34 1/2" (87.6 cm)*	3/4" (1.9 cm)
VBP41	41 7/8" (106.4 cm)	34 1/2" (87.6 cm)*	3/4" (1.9 cm)
VBP53	53 7/8" (136.8 cm)	34 1/2" (87.6 cm)*	3/4" (1.9 cm)

*incluye la tabla de base suministrada

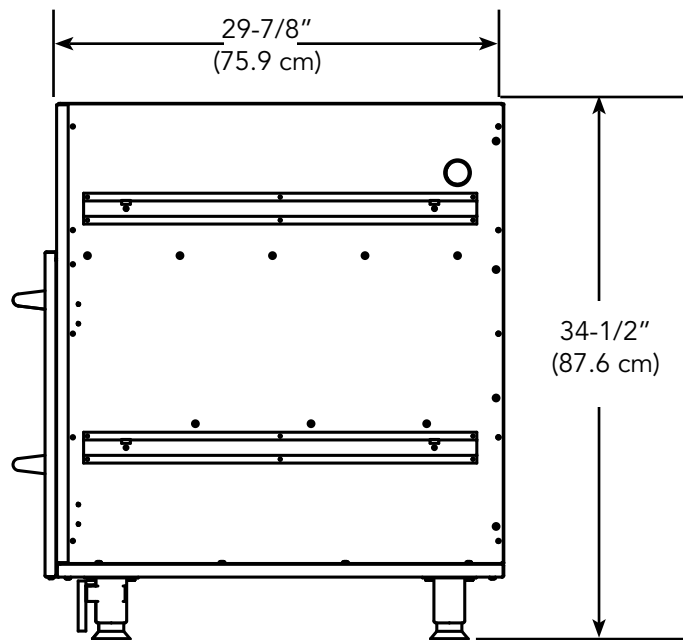
**desde la parte interior de la vuelta hasta el siguiente gabinete

ESPECIFICACIONES BÁSICAS

Vista frontal



Vista lateral



INFORMACIÓN DE SERVICIO

Si se requiere servicio, llame a su agencia de servicio autorizado.

Tenga a mano la siguiente información:

- Número de modelo
- Número de serie
- Fecha de la compra
- Nombre del concesionario donde hizo la compra

Describa claramente el problema que tiene. Si no puede obtener el nombre de un centro de servicio autorizado, o si continúa teniendo problemas de servicio, póngase en contacto con Viking Range, LLC llamando al (888) 845-4641, o escriba a:

**VIKING RANGE, LLC
PREFERRED SERVICE
111 Front Street
Greenwood, Mississippi 38930 EE.UU.**

Anote la información que se indica a continuación. Va a necesitarla si alguna vez requiere servicio.

Núm. de modelo _____ Núm. de serie _____

Fecha de compra _____ Fecha de instalación _____

Nombre del concesionario _____

Dirección _____

Si el servicio requiere instalación de piezas, use repuestos autorizados únicamente para asegurar la protección de la garantía.

Conserve este manual para referencia futura.



GARANTÍA

GARANTÍA GABINETES PARA EXTERIORES SERIE PROFESIONAL GARANTÍA TOTAL DE DOS AÑOS

Las gabinetes para exteriores y todos sus componentes, excepto como se detalla a continuación*, están garantizados como exentos de defectos en materiales y fabricación con el uso residencial normal por un periodo de dos (2) años a partir de la fecha de compra original en la tienda o de la fecha de cierre de una construcción nueva, el periodo que sea más largo. Viking Range, LLC como garante, acepta reparar o reemplazar, a su opción, cualquier pieza que falle o se encuentre defectuosa durante el periodo de garantía.

*GARANTÍA ESTÉTICA TOTAL POR NOVENTA (90) DÍAS: Los artículos decorativos están garantizados a estar libres de defectos en materiales o fabricación (tal como raspaduras en acero inoxidable, etc.) por un periodo de noventa (90) días a partir de la fecha de compra original. CUALQUIER DEFECTO DEBE SER REPORTADO AL DISTRIBUIDOR VENDEDOR DENTRO DE NOVENTA (90) DÍAS A PARTIR DE LA FECHA DE COMPRA ORIGINAL AL MENUDEO. Viking Range, LLC utiliza los procesos más actualizados y los mejores materiales para producir todos los acabados. No obstante, puede notarse una leve variación de color debido a las diferencias inherentes en la iluminación, ubicaciones del producto y otros factores. Por lo tanto, esta garantía no es aplicable a las variaciones de color atribuibles a dichos factores.

GARANTÍA LIMITADA DE DOS (2) AÑOS

Cualquier bisagra de puerta o corredera de gaveta que falle debido a defectos de manufactura o de materiales en el uso doméstico normal durante el segundo año contado a partir de la fecha de compra al por menor original será reparada o reemplazada, sin costo por la pieza misma, teniendo en cuenta que el propietario pagará los demás costos, incluyendo la mano de obra.

Esta garantía se extiende al comprador original del producto garantizado conforme a la presente y para cada cesionario del producto durante el plazo de la garantía.

TÉRMINOS Y CONDICIONES

Esta garantía se extiende al comprador original del producto garantizado aquí y a cada persona a quien se transfiera como propietario el producto durante el plazo de la garantía y corresponde a los productos comprados y ubicados en los Estados Unidos y Canadá. Los productos deben comprarse en el país donde se solicite el servicio. Si el producto o uno de sus componentes contiene un defecto o desperfecto durante el periodo total de garantía después de un número razonable de intentos por parte del garante de remediar el defecto o desperfecto, el propietario tiene derecho a un reembolso o reemplazo del producto o su(s) componente(s). El reemplazo de un componente incluye su instalación gratis, salvo como lo especifique la garantía limitada. De conformidad con los términos de esta garantía, el servicio debe realizarlo un agente o representante de servicio autorizado por la fábrica de Viking Range, LLC. El servicio se prestará durante horarios normales de trabajo, y la mano de obra llevada a cabo en horas inhábiles o con tarifas especiales no estará cubierta por esta garantía.

El propietario será responsable de la instalación correcta, de dar mantenimiento razonable y necesario, entregar comprobante de compra sobre su solicitud y proporcionar acceso razonable al aparato para el servicio. Devolver la Tarjeta de registro del propietario no es condición para la cobertura de la garantía. No obstante, debe devolver la Tarjeta de registro del propietario para que Viking Range, LLC pueda ponerse en contacto con usted en caso de que surja una cuestión de seguridad que pueda afectarlo a usted. Esta garantía le otorga derechos legales específicos y también puede tener otros derechos que varían de una jurisdicción a otra.

LO QUE NO CUBRE ESTA GARANTÍA: Esta garantía no es aplicable a daños resultantes de abuso, falta de mantenimiento razonable y necesario, accidentes, entrega, negligencia, desastres naturales, pérdida de energía eléctrica para el producto por algún motivo, alteración, uso en exteriores, instalación incorrecta, u operación, reparación o servicio incorrecto del producto por parte de terceros ajenos a agencias o representantes de servicio autorizado de Viking Range, LLC. Esta garantía no es aplicable al uso comercial.

LIMITACIÓN DE REMEDIOS Y DURACIÓN DE LA GARANTÍA IMPLÍCITA - EL REMEDIO ÚNICO Y EXCLUSIVO DEL PROPIETARIO EN CASO DE TENER UN RECLAMO DE CUALQUIER TIPO QUE SEA CON RESPECTO A ESTE PRODUCTO SERÁ EL ESTIPULADO ANTERIORMENTE. VIKING RANGE, LLC NO SE HACE RESPONSABLE POR DAÑOS Y PERJUICIOS, INCLUIDOS PERO NO LIMITADOS A, PÉRDIDA DE ALIMENTOS O MEDICAMENTOS, DEBIDO A FALLA DEL PRODUCTO, QUE SURJAN POR INCUMPLIMIENTO DE LA GARANTÍA, INCUMPLIMIENTO DE CONTRATO O DE OTRO MODO. Algunas jurisdicciones no permiten excluir o limitar daños fortuitos o consecuentes, de tal modo que la limitación o las exclusiones anteriores pueden no corresponder a su caso. **TODA GARANTÍA IMPLÍCITA DE COMERCIABILIDAD O IDONEIDAD PARA UN FIN PARTICULAR APLICABLE A ESTE PRODUCTO SE LIMITA EN CUANTO A DURACIÓN AL PERIODO DE COBERTURA DE LAS GARANTÍAS LIMITADAS ESCRITAS EXPRESAS CORRESPONDIENTES ESTIPULADAS ANTERIORMENTE.** Algunos estados no permiten limitar la duración de una garantía implícita, de tal modo que la limitación anterior puede no corresponder a su caso.

SERVICIO DE GARANTÍA: Para obtener servicio de garantía, póngase en contacto con un agente de servicio autorizado de Viking Range, LLC o con Viking Range, LLC, 111 Front Street, Greenwood, Mississippi 38930, (888) 845-4641. Indique el número de modelo y de serie, así como la fecha de la compra original o la fecha de cierre de una construcción nueva. Para saber el nombre de su agencia de servicio autorizado más cercana de Viking Range, LLC llame a Viking Range, LLC. **IMPORTANTE:** Retenga el comprobante de la compra original para establecer el periodo de garantía.

Las especificaciones están sujetas a cambios sin previo aviso.

Viking Range, LLC
111 Front Street
Greenwood, Mississippi 38930 USA
(662) 455-1200

Para información del producto,
llame al 1-888-(845-4641)
o visite el sitio web de Viking en vikingrange.com

068259-000 SP

(051018)

