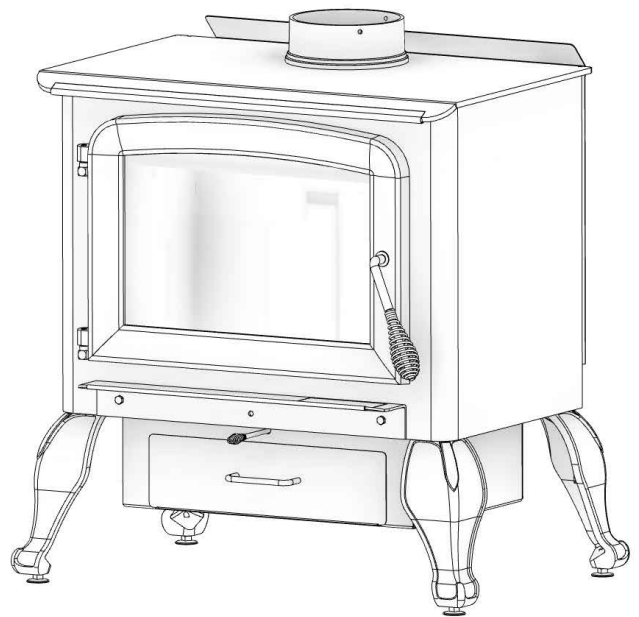
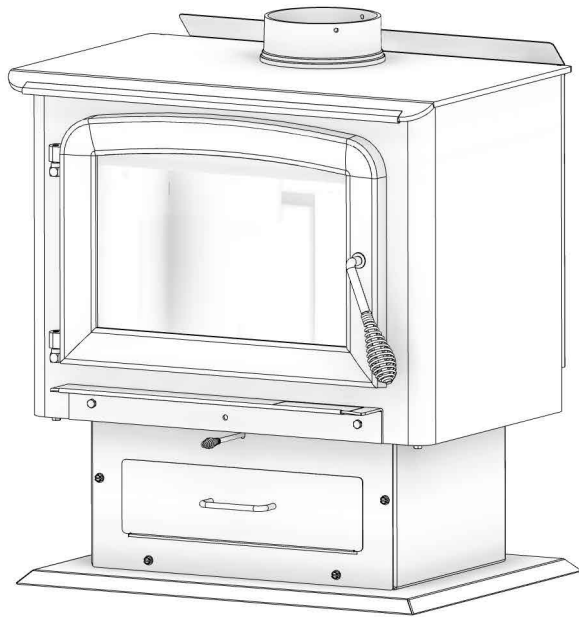




## HEARTH PRODUCTS

MODEL: AW2520E



Save these instructions. This manual will help you to obtain efficient, dependable service from the heater, and enable you to order repair parts correctly. Keep in a safe place for future reference.

### SAFETY NOTICE:

If this heater is not properly installed, a house fire may result. For your safety, follow the installation instructions. Never use make-shift compromises during the installation of this heater. Contact local building or fire officials about permits, restrictions and installation requirements in your area.

### CAUTION!

Please read this entire manual before you install or use your new room heater. Failure to follow instructions may result in property damage, bodily injury, or even death. Improper Installation Could Void Your Warranty!



Report Number: F19-487

Certified to: UL 1482-2011 (R2015) and  
ULC-S627-00 (R2016)

Mobile home approved (U.S. ONLY)

### U.S. Environmental Protection Agency

Certified to comply with 2020  
particulate emissions standards.

### CALIFORNIA PROPOSITION 65 WARNING:

This product can expose you to chemicals including carbon monoxide, which is known to the State of California to cause cancer, birth defects and/or other reproductive harm. For more information, go to [www.P65warnings.ca.gov](http://www.P65warnings.ca.gov)

**UNITED STATES  
STOVE CO.**

EST<sup>®</sup> 1869

United States Stove Company  
PO Box 151, 227 Industrial Park Rd.,  
South Pittsburg, TN 37380  
PH: (800) 750-2723  
[www.usstove.com](http://www.usstove.com)

853582B-4203i

The instructions pertaining to the installation of your wood stove comply with UL-1482 (R2015) and ULC-S627-00 (R2016) standards. This manual describes the installation and operation of the Ashley, AW2520E wood heater. This heater meets the 2020 U.S. Environmental Protection Agency's cordwood emission limits for wood heaters sold after May 15, 2020. Under specific test conditions this heater has been shown to deliver heat at rates ranging from 20,374 to 60,065 Btu/hr (\*0.88 g/hr and an efficiency of 73%).

Note: The BTU ratings mentioned above are based on the EPA test protocol under specific test conditions. Our advertised BTU's are based on the first hour of operation at high burn rate burning cordwood.

Combustible :	Wood	
Colors :	Metallic Black	
	6" (152.5mm)	
Flue Pipe Type: (Standard Single Wall or Double Wall):	Black or Blued Steel 2100°F (650°C)	
Minimum Chimney Height :	12' (3.7m)	
Maximum Log Length :	21" (534mm)	
Dimensions		
Overall : Depth x Width x Height :	AW2520E-BL	25.5" x 29.4" x 31.3" (648 mm x 747 mm x 794 mm)
	AW2520E-BP	25.6" x 27" x 31.4" (650 mm x 686 mm x 798 mm)
Combustion Chamber : Width x Depth :	22-3/4" x 16-5/8" (578 mm x 423 mm)	
Volume : Cubic Feet:	2.73 cubic feet	
Door Opening : Width x Height:	18" x 9-3/4" (458mm x 248mm)	
Pyroceramic Glass Door : (Viewing) Width x Height:	16" x 10.3" (407 mm x 261 mm)	

OPTIONAL ACCESSORIES	
DESCRIPTION	PART #
Outside Air Intake Kit	4FAK

**CAUTIONS:**

- HOT WHILE IN OPERATION. KEEP CHILDREN, CLOTHING AND FURNITURE AWAY. CONTACT MAY CAUSE SKIN BURNS.
- DO NOT USE CHEMICALS OR FLUIDS TO IGNITE THE FIRE.
- DO NOT LEAVE THE STOVE UNATTENDED WHEN THE DOOR IS SLIGHTLY OPENED.
- DO NOT BURN GARBAGE, FLAMMABLE FLUID SUCH AS GASOLINE, NAPHTHA OR MOTOR OIL.
- DO NOT CONNECT TO ANY AIR DISTRIBUTION DUCT OR SYSTEM.
- ALWAYS CLOSE THE DOOR AFTER THE IGNITION.

Note: Register your product on line at [www.usstove.com](http://www.usstove.com). Save your receipt with your records for any claims.

# Assembly Instructions

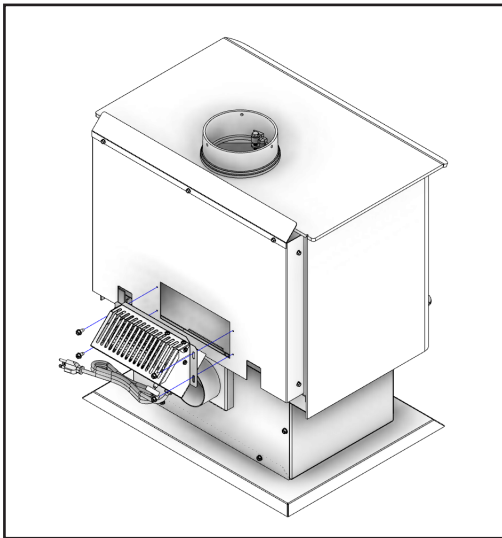
## TOOLS AND MATERIALS NEEDED FOR INSTALLATION

You will need a drill with a 1/8" bit to install sheet metal screws into connector pipe. A 5/16" socket/wrench or screw driver to install the room air deflector, and blower assembly described. A 1/2" socket/wrench to install flue collar. A non-combustible floor protector as specified in this manual. All chimney and chimney connector components required for your particular chimney installation. For mobile homes see the "For Use In Mobile Homes" section of this manual.

## BLOWER ASSEMBLY

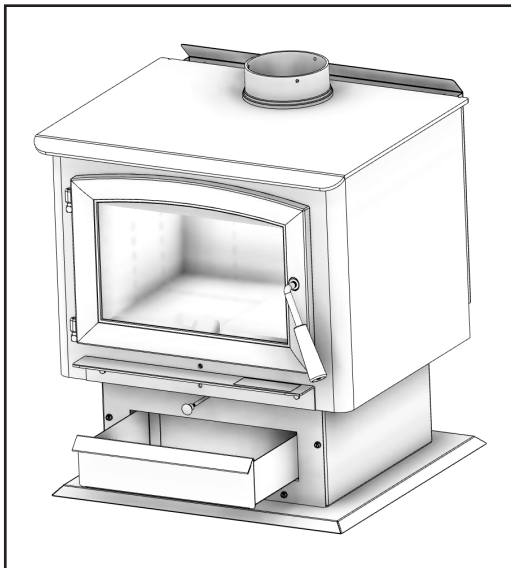
**NOTE: The B36 blower may be purchased separately if not equipped.**

The blower assembly must be disconnected from the source of electrical supply before attempting the installation. The blower assembly is intended for use only with a stove that is marked to indicate such use. Do not route the supply cord near or across hot surfaces! Fix the assembly to the back of the stove with the four screws provided.



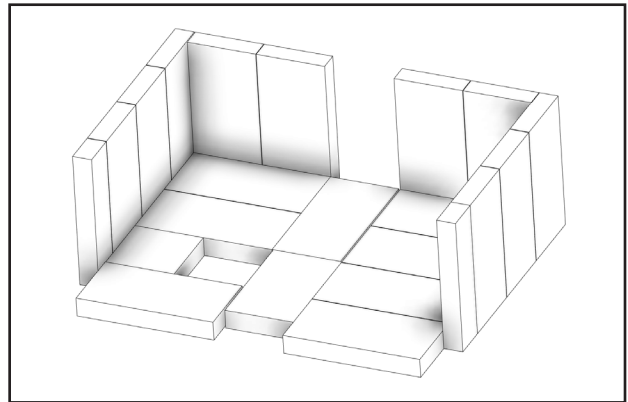
## ASH PAN ASSEMBLY

Remove ash pan from firebox. Under the firebox, there are two brackets; Slide the ash pan into these brackets.



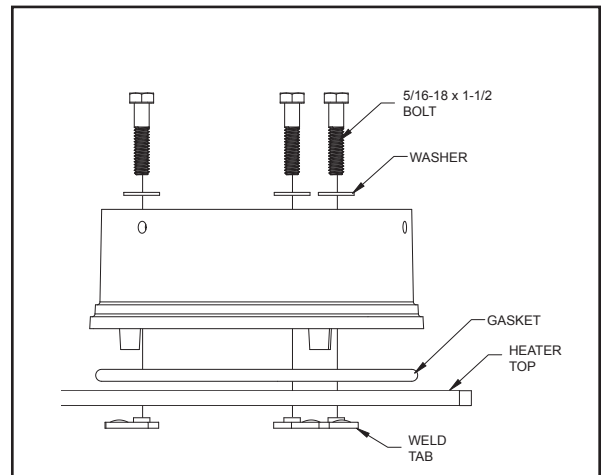
## FLUE COLLAR ASSEMBLY

Mount the flue collar to the top of the unit as shown using the (3) 5/16-18 x 1-1/2 bolts, (3) washers, and (3) weld tabs provided in the parts box.



## FIREBRICK CONFIGURATION

Replace the Firebrick as shown in the illustration.



# Installation

## SAFETY NOTICE

- IF THIS STOVE IS NOT PROPERLY INSTALLED, A HOUSE FIRE MAY RESULT. TO REDUCE THE RISK OF FIRE, FOLLOW THE INSTALLATION INSTRUCTIONS.
- CONSULT YOUR MUNICIPAL BUILDING DEPARTMENT OR FIRE OFFICIALS ABOUT PERMITS, RESTRICTIONS AND INSTALLATIONS REQUIREMENTS IN YOUR AREA.
- USE SMOKE DETECTORS IN THE ROOM WHERE YOUR STOVE IS INSTALLED.
- KEEP FURNITURE AND DRAPES WELL AWAY FROM THE STOVE.
- NEVER USE GASOLINE, GASOLINE-TYPE LANTERN FUEL, KEROSENE, CHARCOAL LIGHTER FLUID, OR SIMILAR LIQUIDS TO START OR "FRESHEN UP" A FIRE IN THIS HEATER. KEEP ALL SUCH LIQUIDS WELL AWAY FROM THE HEATER WHILE IT IS IN USE.
- IN THE EVENT OF A CHIMNEY FIRE, PUSH THE AIR CONTROL FULL CLOSED TO DEPRIVE THE FIRE OF OXYGEN. CALL THE FIRE DEPARTMENT.
- DO NOT CONNECT TO ANY AIR DISTRIBUTION DUCT OR SYSTEM.
- A SOURCE OF FRESH AIR INTO THE ROOM OR SPACE HEATED SHALL BE PROVIDED WHEN REQUIRED.

## POSITIONING THE STOVE

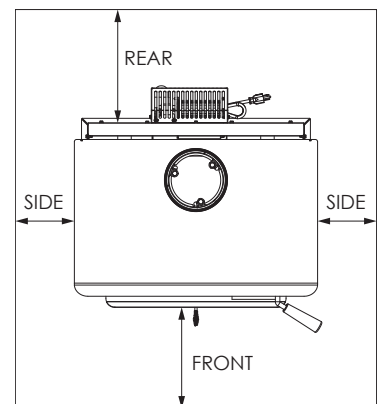
It is very important to position the wood stove as close as possible to the chimney, and in an area that will favor the most efficient heat distribution possible throughout the house. The stove must therefore be installed in the room where the most time is spent, and in the most spacious room possible. Recall that wood stoves produce radiating heat, the heat we feel when we are close to a wood stove. A wood stove also functions by convection, that is through the displacement of hot air accelerated upwards and its replacement with cooler air. If necessary, the hot air distribution from the stove may be facilitated by the installation of a blower. The wood stove must not be hooked up to a hot air distribution system since an excessive accumulation of heat may occur. A wood stove must never be installed in a hallway or near a staircase, since it may block the way in case of fire or fail to respect required clearances.

## FLOOR PROTECTOR

This heater must have a non-combustible floor protector with an R-Value of at least 1.4 installed beneath it if the floor is constructed of combustible material. If a floor pad is used, it should be UL listed or equal. The floor protector should be large enough to extend under the stove and beyond each side as indicated. If there is a horizontal run of flue pipe, there needs to be floor protection under it that extends two inches beyond either side of the pipe.

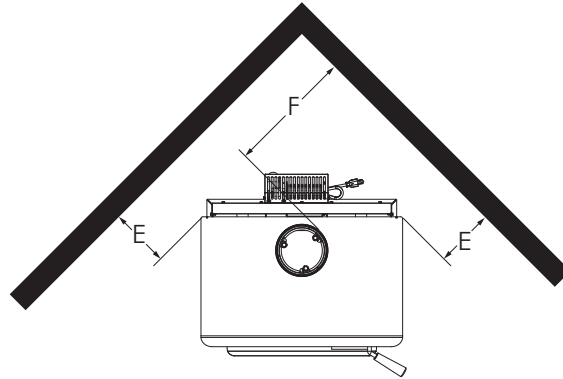
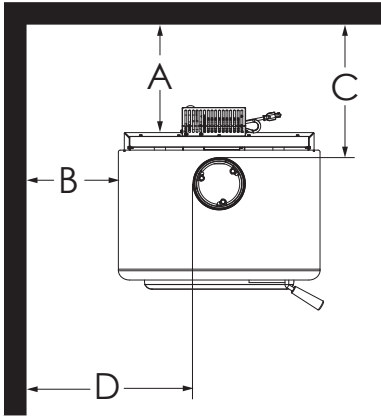
Front	Sides	Rear
26" (661mm)	8" (203mm)	☆2" (51mm)

☆ - Canadian installations require 8" (203mm)



## CLEARANCES TO COMBUSTIBLES

It is of utmost importance that the clearances to combustible materials be strictly adhered to during installation of the stove. Refer to the tables below :



Single Wall Pipe (Double Wall Pipe)		
Key	in	mm
A	10 (10)	254 (254)
B	19 (19)	483 (483)
C	13 (13)	331 (331)
D	30 (29)	762 (737)
E	10 (10)	254 (254)
F	20 (20)	508 (508)

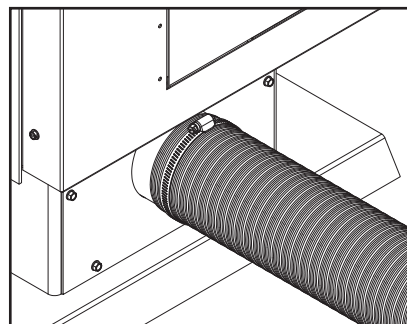
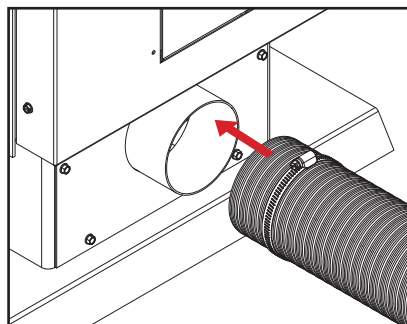
- Floor to ceiling height must be at least 7' (2.13m) in all cases.
- Do not place any combustible material within 4' (1.2m) of the front of the unit.
- The clearance between the flue pipe and a wall are valid only for vertical walls and for vertical flue pipe.
- If there is a Horizontal run of flue pipe there must be at least 18" of clearance between the pipe and the ceiling. There also has to be floor protection under the horizontal run that extends 2" beyond each side of the flue pipe.
- The chimney connector must not pass through an attic or roof space, closet or similar concealed space, a floor, or a ceiling.
- For Canadian installations, where passage through a wall, or partition of combustible construction is desired, the installation must conform to CAN/CSA-B365.
- A flue pipe crossing a combustible wall must have a minimum clearance of 18" (457.2mm).
- To reduce flue clearances from combustible materials, contact your local safety department.

## OUTSIDE COMBUSTION AIR

Your wood stove is approved to be installed with an outside air intake (4FAK) which is necessary for a mobile home. This type of installation is also required in air tight houses and houses with negative pressure problems. You can purchase this option through your heater dealer. Make sure to specify the part number mentioned in this booklet. Installation instructions are supplied with the air intake kit.

Outside combustion air may be required if:

1. Your stove does not draw steadily, smoke roll-out occurs, wood burns poorly, or back-drafts occur whether or not there is combustion present.
2. Existing fuel-fired equipment in the house, such as fireplaces or other heating appliances, smell, do not operate properly, suffer smoke roll-out when opened, or back-drafts occur whether or not there is combustion present.
3. Opening a window slightly on a calm (windless) day alleviates any of the above symptoms.
4. The house is equipped with a well-sealed vapor barrier and tight fitting windows and/or has any powered devices that exhaust house air.
5. There is excessive condensation on windows in the winter.
6. A ventilation system is installed in the house.



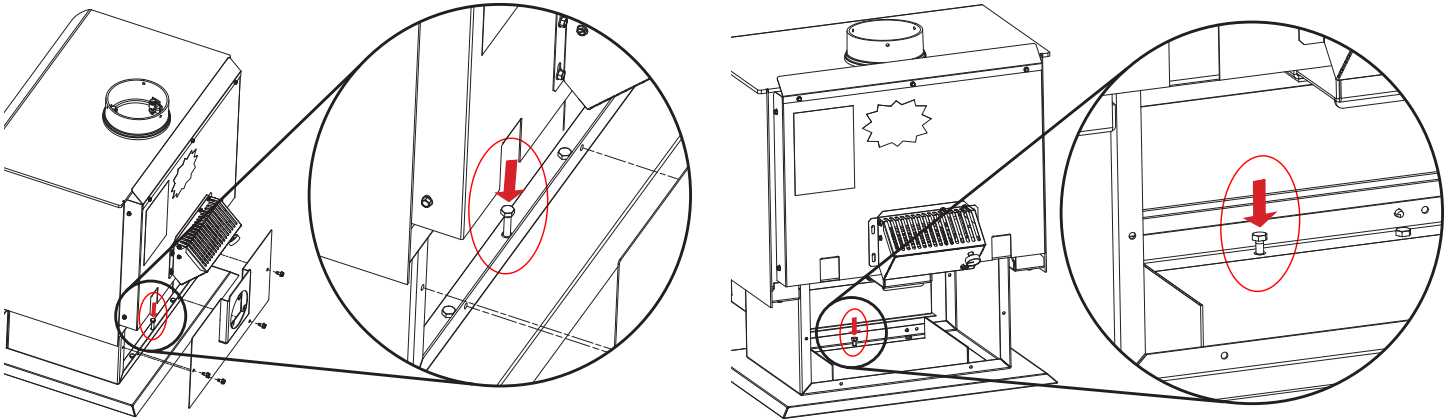
Slide the hose clamp over the aluminium flex pipe. Then slide the flex pipe over the air intake tube of the stove. Next tighten the hose clamp over the end of the aluminium flex hose.

**For use in MOBILE HOMES (U.S. installations ONLY):**

- WARNING! DO NOT INSTALL IN SLEEPING ROOM.
- CAUTION! THE STRUCTURAL INTEGRITY OF THE MOBILE HOME FLOOR, WALL, AND CEILING/ROOF MUST BE MAINTAINED.
- INSTALL IN ACCORDANCE WITH 24 CFR, PART 3280 (HUD).
- USE A FACTORY BUILT CHIMNEY THAT COMPLIES WITH UL 103 STANDARDS; THEREFORE IT MUST BE A TYPE HT (2100°F).
- USE A SPARK ARRESTER.
- THE STOVE MUST BE ATTACHED TO THE STRUCTURE OF THE MOBILE HOME.

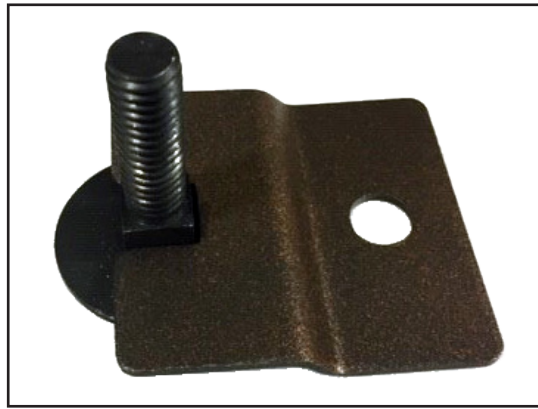
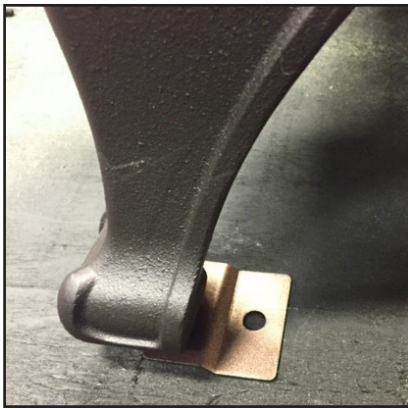
**SECURING APPLIANCE'S ON A PEDESTAL TO THE FLOOR**

Use the designated holes to secure the unit to the floor.



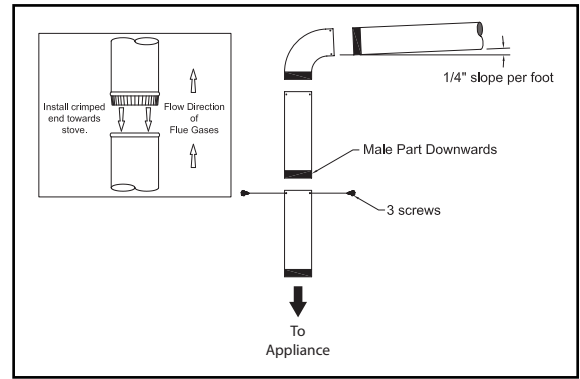
**SECURING APPLIANCE'S WITH LEGS TO THE FLOOR**

1. The bracket engages around the square extrusion of the leveling bolt inserted into the leg.
2. Once appliance is leveled, position the bracket and attach to the floor using the appropriate hardware needed for your specific flooring.
3. Install one bracket per leg or consult your local authority having jurisdiction to determine how many points of attachment are required.



## **CHIMNEY CONNECTOR (STOVE PIPE)**

The chimney connector and chimney must have the same diameter as the stove outlet (6"). If this is not the case, we recommend you contact your dealer to ensure there will be no problem with the draft. The stovepipe must be made of aluminized or cold roll steel and have a minimum thickness of 0.021" or 0.53mm. It is strictly forbidden to use galvanized steel. The smoke pipe should be assembled to promote the male section (crimped end) of the pipe to be faced down. Attach each section to another with three equidistant metal screws. The pipe must be short and straight. All sections installed horizontally must slope at least 1/4 inch per foot, with the upper end of the section toward the chimney. Any installation with a horizontal run of chimney pipe must conform to NFPA 211. Contact NFPA (National Fire Protection Association) and request the latest edition of the NFPA Standard 211. To ensure a good draft, the total length of the coupling pipe should never exceed 8' to 10' (2.4m to 3.04m). Except for cases of vertical installation, in a cathedral-roof style where the smoke exhaust system can be much longer and connected without problem to the chimney at the ceiling of the room. There should never be more than two 90 degrees elbows in the smoke exhaust system. The installation of a "barometric draft stabilizer" (fireplace register) on a smoke exhaust system is prohibited. Furthermore, the installation of a draft damper is not recommended. With a controlled combustion wood stove, the draft is regulated upon intake of the combustion air in the stove and not at the exhaust.



## **IMPORTANCE OF PROPER DRAFT**

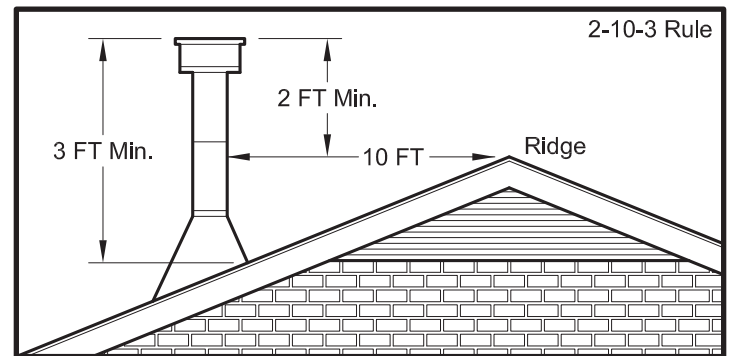
Draft is a force that moves air from the appliance up through the chimney. The amount of draft in your chimney depends on the length of the chimney, local geography, nearby obstructions and other factors. Too much draft may cause excessive temperatures in the appliance. An inadequate draft may cause back-puffing into the room and 'plugging' of the chimney. An inadequate draft will cause the appliance to leak smoke into the room through appliance and chimney connector joints. An uncontrollable burn or excessive temperature indicates an excessive draft.

## **CHIMNEY**

Your wood stove may be hooked up with a 6" factory-built or masonry chimney. If you are using a factory-built chimney, it must comply with UL 103 or CSA-B365 standard; therefore it must be a Type HT (2100°F). It must be installed according to the manufacturer's specifications. Take into account the chimney's location to ensure it is not too close to neighbors or in a valley which may cause unhealthy or nuisance conditions. If you are using a masonry chimney, it must be built in compliance with the specifications of the National Building Code. It must be lined with fire clay bricks, metal or clay tiles sealed together with fire cement. Round flues are the most efficient. The interior diameter of the chimney flue must be identical to the stove smoke exhaust. A flue which is too small may cause draft problems, while a large flue favors rapid cooling of the gas, and hence the build-up of creosote and the risk of chimney fires. Note that it is the chimney and not the stove which creates the draft effect; your stove's performance is directly dependent on an adequate draft from your chimney. **Do not connect this unit to a chimney flue serving another appliance.**

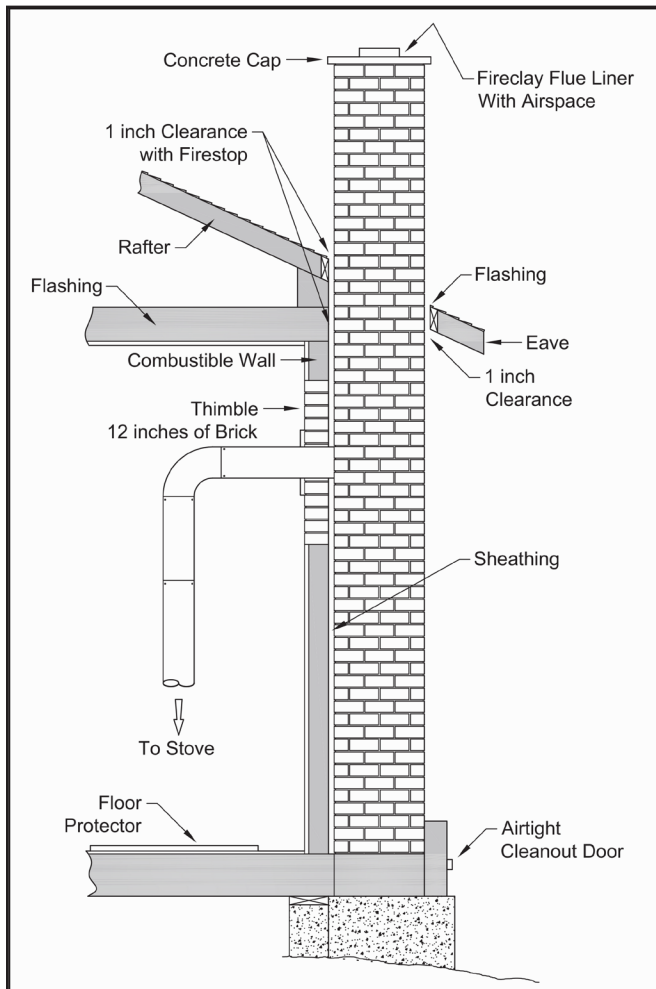
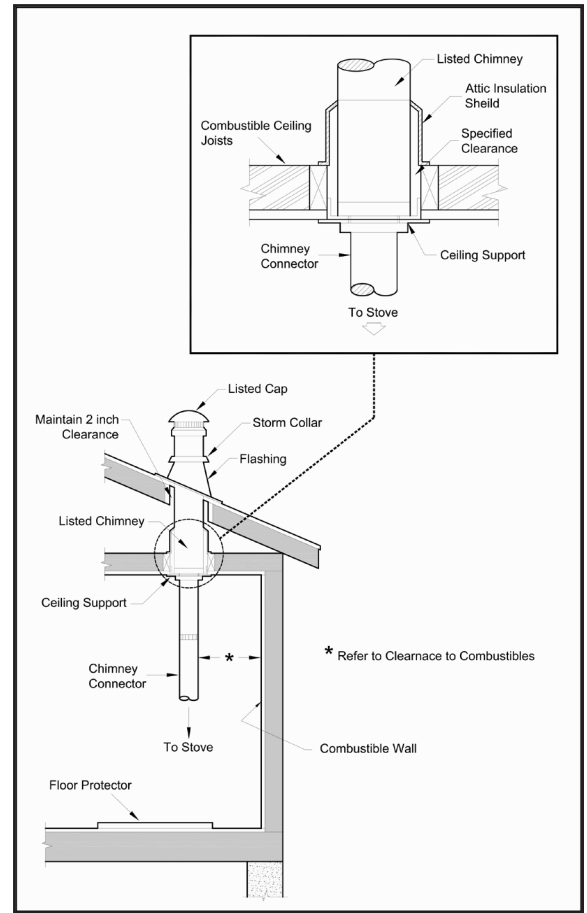
The following recommendations may be useful for the installation of your chimney:

1. It must rise above the roof at least 3' (0.9m) from the uppermost point of contact.
2. The chimney must exceed any part of the building or other obstruction within a 10' (3.04m) distance by a height of 2' (0.6m).
3. The installation of an interior chimney is always preferable to an exterior chimney. Indeed, the interior chimney will, by definition, be hotter than an exterior chimney, being heated up by the ambient air in the house. Therefore the gas which circulates will cool more slowly, thus reducing the build-up of creosote and the risk of chimney fires.
4. The draft caused by the tendency for hot air to rise will be increased with an interior chimney.
5. Using a fire screen at the extremity of the chimney requires regular inspection to ensure that it is not obstructed thus blocking the draft, and it should be cleaned when used regularly.



## FACTORY BUILT CHIMNEY

When a metal prefabricated chimney is used, the manufacturer's installation instructions must be followed. You must also purchase (from the same manufacturer) and install the ceiling support package or wall pass-through and "T" section package, firestops (where needed), insulation shield, roof flashing, chimney cap, etc. Maintain proper clearance to the structure as recommended by the manufacturer. The chimney must be the required height above the roof or other obstructions for safety and proper draft operation.



## MASONRY CHIMNEY

Ensure that a masonry chimney meets the minimum standards of the National Fire Protection Association (NFPA) by having it inspected by a professional. Make sure there are no cracks, loose mortar or other signs of deterioration and blockage. Be sure to the chimney cleaned before the stove is installed and operated. When connecting the stove through a combustible wall to a masonry chimney, special methods are needed.

## COMBUSTIBLE WALL CHIMNEY CONNECTOR PASS-THROUGHS

**METHOD A** - 12" (304.8 mm) Clearance to Combustible Wall Member: Using a minimum thickness 3.5" (89 mm) brick and a 5/8" (15.9 mm) minimum wall thickness clay liner, construct a wall pass-through. The clay liner must conform to ASTM C315 (Standard Specification for Clay Fire Linings) or its equivalent. Keep a minimum of 12" (304.8 mm) of brick masonry between the clay liner and wall combustibles. The clay liner shall run from the brick masonry outer surface to the inner surface of the chimney flue liner but not past the inner surface. Firmly grout or cement the clay liner in place to the chimney flue liner.

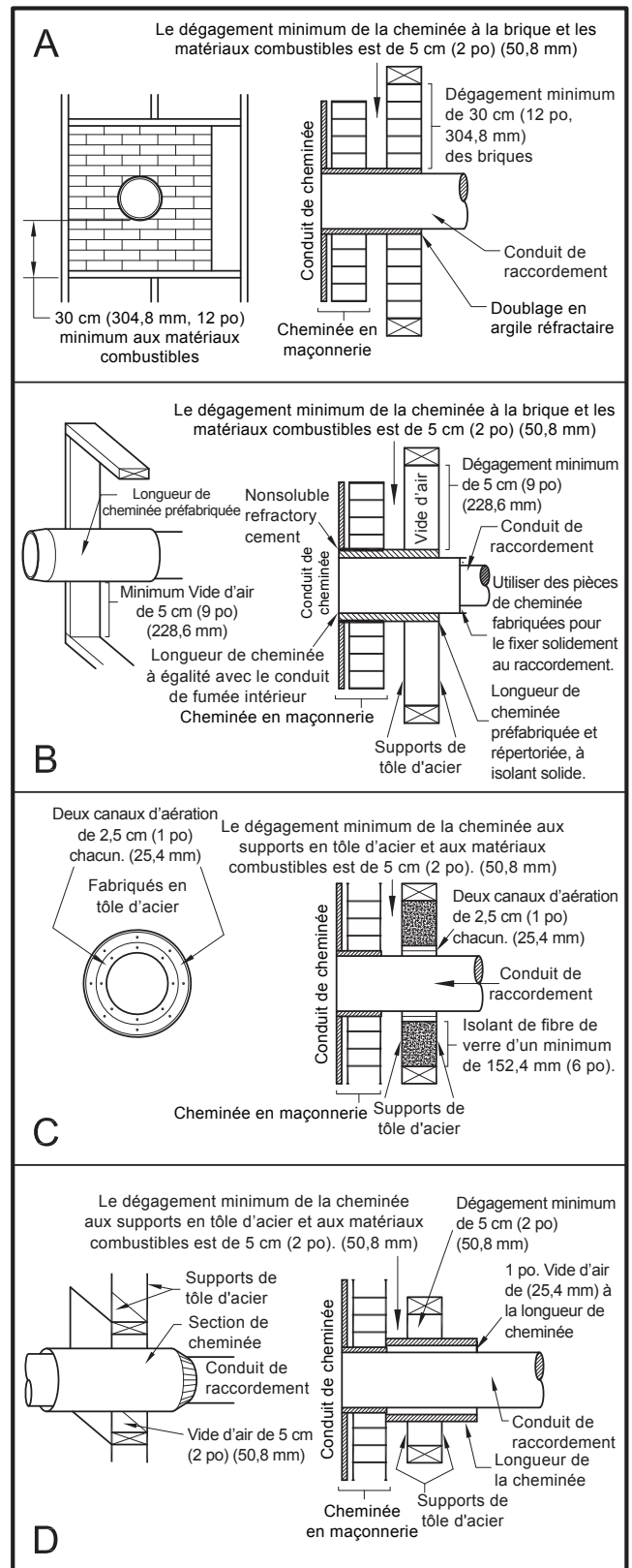
**METHOD B** - 9" (228.6 mm) Clearance to Combustible Wall Member: Using a 6" (152.4 mm) inside diameter, listed, factory-built Solid-Pak chimney section with insulation of 1" (25.4 mm) or more, build a wall pass-through with a minimum 9" (228.6 mm) air space between the outer wall of the chimney length and wall combustibles. Use sheet metal supports fastened securely to wall surfaces on all sides, to maintain the 9" (228.6 mm) air space. When fastening supports to chimney length, do not penetrate the chimney liner (the inside wall of the Solid-Pak chimney). The inner end of the Solid-Pak chimney section shall be flush with the inside of the masonry chimney flue, and sealed with a non-water soluble refractory cement. Use this cement to also seal to the brick masonry penetration.

**METHOD C** - 6" (152.4 mm) Clearance to Combustible Wall Member: Starting with a minimum 24 gage (.024" [.61 mm]) 6" (152.4 mm) metal chimney connector, and a minimum 24 gage ventilated wall thimble which has two air channels of 1" (25.4 mm) each, construct a wall pass-through. There shall be a minimum 6" (152.4 mm) separation area containing fiberglass insulation, from the outer surface of the wall thimble to wall combustibles. Support the wall thimble, and cover its opening with a 24-gage minimum sheet metal support. Maintain the 6" (152.4 mm) space. There should also be a support sized to fit and hold the metal chimney connector. See that the supports are fastened securely to wall surfaces on all sides. Make sure fasteners used to secure the metal chimney connector do not penetrate chimney flue liner.

**METHOD D** - 2" (50.8 mm) Clearance to Combustible Wall Member: Start with a solid-pak listed factory built chimney section at least 12" (304 mm) long, with insulation of 1" (25.4 mm) or more, and an inside diameter of 8" (2 inches [51 mm] larger than the 6" [152.4 mm] chimney connector). Use this as a pass-through for a minimum 24-gauge single wall steel chimney connector. Keep solid-pak section concentric with and spaced 1" (25.4 mm) off the chimney connector by way of sheet metal support plates at both ends of chimney section. Cover opening with and support chimney section on both sides with 24 gage minimum sheet metal supports. See that the supports are fastened securely to wall surfaces on all sides. Make sure fasteners used to secure chimney flue line do not penetrate the inner liner.

### NOTES:

1. Connectors to a masonry chimney, excepting method B, shall extend in one continuous section through the wall pass-through system and the chimney wall, to but not past the inner flue liner face.
2. A chimney connector shall not pass through an attic or roof space, closet or similar concealed space, or a floor, or ceiling.



# Operation

## WOOD STOVE UTILIZATION

The operation of this wood heater in a manner inconsistent with the owner's manual will void your warranty and is also against federal regulations. This heater is designed to burn natural wood only. Higher efficiencies and lower emissions generally result when burning air dried seasoned hardwoods, as compared to softwoods or too green or freshly cut hardwoods.

### DO NOT BURN:

1. Garbage;
2. Lawn clippings or yard waste;
3. Materials containing rubber, including tires;
4. Materials containing plastic;
5. Waste petroleum products, paints or paint thinners, or asphalt products;
6. Materials containing asbestos;
7. Construction or demolition debris;
8. Railroad ties or pressure-treated wood;
9. Manure or animal remains;
10. Saltwater driftwood or other previously salt water-saturated materials;
11. Unseasoned wood; or
12. Paper products, cardboard, plywood, or particleboard. The prohibition against burning these materials does not prohibit the use of fire starters made from paper, cardboard, sawdust, wax, and similar substances to start a fire in an affected wood heater.

Burning these materials may result in the release of toxic fumes or render the heater ineffective and cause smoke. Deadwood lying on the forest floor should be considered wet and requires full seasoning time. Standing deadwood can usually be considered to be about 2/3 seasoned. Splitting and stacking wood before it is stored accelerates the drying time. Storing wood on an elevated surface from the ground and under a cover or covered area from rain or snow also accelerates the drying time. A good indicator of if the wood is ready to burn is to check the piece ends. If cracks are radiating in all directions from the center then the wood should be dry enough to burn. If your wood sizzles in the fire, even though the surface is dry, it may not be fully cured and should be seasoned longer.

Do not burn manufactured logs made of wax impregnated sawdust or logs with any chemical additives. Manufactured logs made of 100% compressed sawdust can be burned, but be careful burning too much of these logs at the same time. Start with one manufactured log and see how the stove reacts. You can increase the number of logs burned at a time but make sure the temperature never rises higher than 475 °F (246 °C) on a magnetic thermometer for installation on single wall stove pipes or 900 °F (482 °C) on a probe thermometer for installation on double wall stove pipe. The thermometer should be placed about 18" (457 mm) above the stove. Higher temperatures can lead to overheat and damage your stove.



Waste and other flammable materials should not be burned in your stove. Any type of wood may be used in your stove, but specific varieties have better energy yields than others. Please consult the following table to make the best possible choice.

TYPE	WEIGHT (LBS. CU. FT., DRY)	PER CORD	EFFICIENCY RANKING	SPLITS	MILLIONS BTU's/CORD
Hickory	63	4500	1.0	Well	31.5
White Oak	48	4100	.9	Fair	28.6
Red Oak	46	3900	.8	Fair	27.4
Beech	45	3800	.7	Hard	26.8
Sugar Maple	44	3700	.6	Fair	26.2
Black Oak	43	3700	.6	Fair	25.6
Ash	42	3600	.5	Well	25.0
Yellow Birch	40	3400	.4	Hard	23.8
Red Maple	38	3200	.3	Fair	22.6
Paper Birch	37	3100	.3	Easy	22.1
Elm/ Sycamore	34	2900	.2	Very Difficult	20.1
Red Spruce	29	1800	.1	Easy	16.1

It is EXTREMELY IMPORTANT to use DRY WOOD only in your wood stove. The wood should have dried for 9 to 15 months, such that the humidity content (in weight) is reduced below 20% of the weight of the log. It is very important to keep in mind that even if the wood has been cut for one, two or even more years, it is not necessarily dry, if it has been stored in poor conditions. Under extreme conditions, it may rot instead of drying. This point cannot be overstressed; the vast majority of the problems related to the operation of a wood stove is caused by the fact that the wood used was too damp or had dried in poor conditions. These problems can be:

- ignition problems
- creosote build-up causing chimney fires
- low energy yield
- blackened windows
- incomplete log combustion

Smaller pieces of wood will dry faster. All logs exceeding 6" in diameter should be split. The wood should not be stored directly on the ground. Air should circulate through the cord. A 24" to 48" air space should be left between each row of logs, which should be placed in the sunniest location possible. The upper layer of wood should be protected from the elements but not the sides.

### **OPERATIONAL TIPS**

- Get the appliance hot and establish a good coal bed before adjusting to a low burn rate (this may take 30 minutes or more depending on your wood)
- Use smaller pieces of wood during start-up and a high burn rate to increase the stove temperature
- Be considerate of the environment and only burn dry wood
- Burn small, intense fires instead of large, slow-burning fires when possible
- Learn your appliance's operating characteristics to obtain optimum performance

Burning unseasoned wet wood only hurts the stove's efficiency and leads to accelerated creosote buildup in your chimney

### **TESTING YOUR WOOD**

- When the stove is thoroughly warmed, place one piece of split wood (about five inches in diameter) parallel to the door on the bed of red embers.
- Keep the air control fully open by pulling on it and close the door. If the piece ignites within 90 seconds from the time it was placed into the stove, your wood is correctly dried. If ignition takes longer, your wood is damp.
- If your wood hisses and water or vapor escapes at the ends of the piece, your wood is soaked or freshly cut. Do not use this wood in your stove. Large amounts of creosote could be deposited in your chimney, creating potential conditions for a chimney fire.

### **TAMPER WARNINGS**

This wood heater has a manufacturer-set minimum low burn rate that must not be altered. It is against federal regulations to alter this setting or otherwise operate this wood heater in a manner inconsistent with operating instructions in this manual.

CAUTION: Never alter the damper slide or the adjustment range to increase firing for any reason. Doing so could result in heater damage and will void your warranty.

### **THE FIRST FIRES**

The fresh paint on your stove needs to be cured to preserve its quality. Once the fuel charge is properly ignited, only burn small fires in your stove for the first four hours of operation. Never open the air control more than necessary to achieve a medium burn rate. Make sure that there's enough air circulation while curing the stove. The odors could be smelled during the 3 or 4 first fires. Never start your stove outside. You will not be able to see if you are overheating.

### **IGNITION**

After making sure that the stove air intake controls are fully open (completely pull-out towards you), The top-down method of fire building is recommended for this appliance. After making sure that the stove air intake controls are fully open (completely pull-out towards you), Place the largest pieces of wood on the bottom, laid in parallel and close together. Smaller pieces are placed in a second layer, crossways to the first. The third layer of still smaller pieces are laid crossways to the second, this time with some spaces between. Then the fourth layer of loose, small kindling and twisted newspaper sheets tops off the pile. Before igniting the paper and kindling wood, it is recommended that you warm up the chimney. This is done to avoid backdraft problems often due to

negative pressure in the house. If such is the case, open a window slightly near the stove and twist together a few sheets of newspaper into a torch. Light up this paper torch and hold it as close as possible to the mouth of the pipe inside the combustion chamber to warm up the chimney. Once the updraft movement is initiated, you are ready to ignite the stove by lighting the paper and kindling wood inside the combustion chamber.

Burn Rate	Adjust Damper from fully closed		Burn Time	Blower Speed
Low	Fully Closed		@ 30 minutes	Low
Medium - Low	Approx. 11/16" open		@ 30 minutes	Low
Medium - High	Approx. 1-7/16" open		@ 30 minutes	Low
High	Fully Open approx. 2-18" from closed		all minutes	High

## **HEATING**

Controlled combustion is the most efficient technique for wood heating because it enables you to select the type of combustion you want for each given situation. The wood will burn slowly if the woodstove air intake control is adjusted to reduce the oxygen supply in the combustion chamber to a minimum. On the other hand, wood will burn quickly if the air control is adjusted to admit a larger quantity of oxygen in the combustion chamber. The air intake control on your stove is very simple. If you pull on it out completely towards you, it is fully open. If you push on it until it stops the combustion air is reduced to a minimum. Real operating conditions may give very different results than those obtained during testing according to the species of wood used, its moisture content, the size and density of the pieces, the length of the chimney, altitude and outside temperature.

## **EFFICIENCY**

Efficiencies can be based on either the lower heating value (LHV) or the higher heating value (HHV) of the fuel. The lower heating value is when the water leaves the combustion process as a vapor, in the case of woodstoves the moisture in the wood being burned leaves the stove as a vapor. The higher heating value is when the water leaves the combustion process completely condensed. In the case of woodstoves, this would assume the exhaust gases are room temperature when leaving the system, and therefore calculations using this heating value consider the heat going up the chimney as lost energy. Therefore, efficiency calculated using the lower heating value of wood will be higher than the efficiency calculated using the higher heating value. In the United States, all woodstove efficiencies should be calculated using the higher heating value.

The best way to achieve optimum efficiencies is to learn the burning characteristic of this appliance and burn well-seasoned wood. Higher burn rates are not always the best heating burn rates; after a good fire is established a lower burn rate may be a better option for efficient heating. A lower burn rate slows the flow of usable heat out of the home through the chimney, and it also consumes less wood.

## **VISIBLE SMOKE**

The amount of visible smoke being produced can be an effective method of determining how efficiently the combustion process is taking place in the given settings. Visible smoke consists of unburned fuel and moisture leaving your stove. Learn to adjust the air settings of your specific unit to produce the smallest amount of visible smoke. Wood that has not been seasoned properly and has a high wood moisture content will produce excess visible smoke and burn poorly.

### **WARNINGS:**

- NEVER OVERFIRE YOUR STOVE. IF ANY PART OF THE STOVE STARTS TO GLOW RED, OVER FIRING IS HAPPENING. READJUST THE AIR INTAKE CONTROL AT A LOWER SETTING.
- THE INSTALLATION OF A LOG CRADLE OR GRATES IS NOT RECOMMENDED IN YOUR WOOD STOVE. BUILD FIRE DIRECTLY ON FIREBRICK.
- NEVER PUT WOOD ABOVE THE FIREBRICK LINING OF THE FIREBOX.
- ATTEMPTS TO ACHIEVE HEAT OUTPUT RATES THAT EXCEED HEATER DESIGN SPECIFICATIONS CAN RESULT IN PERMANENT DAMAGE TO THE HEATER.

## **RELOADING**

Once you have obtained a good bed of embers, you should reload the unit. To do so, open the air controls to maximum a few seconds before opening the stove's door. Then proceed by opening the door very slowly; open it one or two inches for 5 to 10 seconds, before opening it completely to increase the draft and thus eliminate the smoke which is stagnant in a state of slow combustion in the stove. Then bring the red embers to the front of the stove and reload the unit. For optimal operation of your wood stove, we recommend you to operate it with a wood load approximately equivalent to the height of fire bricks. It is important to note that wood combustion consumes ambient oxygen in the room. In the case of negative pressure, it is a good idea to allow fresh air in the room, either by opening a window slightly or by installing a fresh air intake system on an outside wall.

## **CREOSOTE FORMATION AND NEED FOR REMOVAL**

When wood is burned slowly, it produces tar and other organic vapors, which combine with expelled moisture to form creosote. The creosote vapors condense in the relatively cool chimney flue of a slow-burning fire. As a result, creosote residue accumulates on the flue lining. When ignited this creosote makes an extremely high temper fire. The chimney connector and chimney should be inspected at least once every two months during the heating season to determine if a creosote build-up has occurred. If creosote has accumulated (3 mm or more), it should be removed to reduce the risk of a chimney fire.

We strongly recommend that you install a magnetic thermometer on your smoke exhaust pipe, approximately 18" above the stove. This thermometer will indicate the temperature of your gas exhaust fumes within the smoke exhaust system. The ideal temperature for these gases is somewhere between 275°F and 500°F. Below these temperatures, the build-up of creosote is promoted. Above 500°F, heat is wasted since a too large quantity is lost into the atmosphere.

## **TO PREVENT CREOSOTE BUILD UP**

- Always burn dry wood. This allows clean burns and higher chimney temperatures, therefore less creosote deposit.
- Leave the air control fully open for about 5 min. every time you reload the stove to bring it back to proper operating temperatures. The secondary combustion can only take place if the firebox is hot enough.
- Always check for creosote deposit once every two months and have your chimney cleaned at least once a year.

If a chimney or creosote fire occurs, close all dampers immediately. Wait for the fire to go out and the heater to cool, then inspect the chimney for damage. If no damage results, perform a chimney cleaning to ensure no more creosote deposits is remaining in the chimney.

## **ASH DISPOSAL**

Whenever ashes get 3 to 4 inches deep in your firebox or ash pan, and when the fire has burned down and cooled, remove excess ashes. Leave an ash bed approximately 1 inch deep on the firebox bottom to help maintain a hot charcoal bed. Ashes should be placed in a metal container with a tight-fitting lid. The closed container of ashes should be placed on a non-combustible floor or the ground, away from all combustible materials, pending final disposal. The ashes should be retained in the closed container until all cinders have thoroughly cooled.

### **CAUTIONS:**

- ASHES COULD CONTAIN HOT EMBERS EVEN AFTER TWO DAYS WITHOUT OPERATING THE STOVE.
- THE ASH PAN CAN BECOME VERY HOT. WEAR GLOVES TO PREVENT INJURY.
- NEVER BURN THE STOVE WITH THE ASH TRAP OPEN. THIS WOULD RESULT IN OVER FIRING THE STOVE. DAMAGE TO THE STOVE AND EVEN HOUSE FIRE MAY RESULT.

### **ATTENTION:**

This wood heater needs periodic inspection and repair for proper operation. It is against federal regulations to operate this wood heater in a manner inconsistent with operating instructions in this manual.

# Maintenance

Your wood stove is a high-efficiency stove and therefore requires little maintenance. It is important to perform a visual inspection of the stove every time it is emptied, to ensure that no parts have been damaged, in which case repairs must be performed immediately. Inspect and clean the chimney and connector pipe periodically for creosote build-up or obstructions.

## **AIR TUBES**

The air tubes assembled in this unit are designed to provide an accurate mix of secondary air to ensure the highest efficiency. Any damage or deterioration of these tubes may reduce the efficiency of combustion. The air tubes are held in position by screws or snap pins. Locate these to either side of the tube and remove it to allow the tube to be removed and replaced.

## **SECONDARY AIR TUBES**

The secondary air tubes must be cleaned with a wire brush. If debris remains in holes lightly tap with a wooden stick to remove.

## **GLASS**

- Inspect and clean the glass regularly to detect any cracks. If you spot one, turn the stove off immediately. Do not abuse the glass door by striking or slamming shut. Do not use the stove if the glass is broken.
- If the glass on your stove breaks, replace only with the glass supplied from your heater dealer. Never substitute other materials for the glass.
- To replace the glass, remove the screws retaining the glass moldings inside the door. Remove the moldings and replace the damaged piece with a new one. Perform the procedure backward after replacing it. When replacing the glass, you should change the glass gasket to make sure you keep it sealed.
- Never wash the glass with a product that may scratch. Use a specialized product, available in the stores where wood stoves are sold. The glass should be washed only when cold.

## **PAINT**

Only clean your stove with a dry soft cloth that will not harm the paint finish. If the paint becomes scratched or damaged, it is possible to give your wood stove a brand new look, by repainting it with a 1200° F heat resistant paint. For this purpose, simply scrub the surface to be repainted with fine sandpaper, clean it properly, and apply thin coats (2) of paint successively.

## **SMOKE AND CO MONITORS**

Burning wood naturally produces smoke and carbon monoxide(CO) emissions. CO is a poisonous gas when exposed to elevated concentrations for extended periods. While the modern combustion systems in heaters drastically reduce the amount of CO emitted out the chimney, exposure to the gases in closed or confined areas can be dangerous. Make sure your stove gaskets and chimney joints are in good working order and sealing properly to ensure unintended exposure. It is recommended that you use both smoke and CO monitors in areas having the potential to generate CO.

## **BLOWER (IF EQUIPPED)**

The blower needs to be removed and air-blown clean. Make sure the blades do not have build up.

## **FIREBRICK (IF EQUIPPED)**

The firebrick should be cleaned and inspected as necessary. Replace any damaged or broken brick.

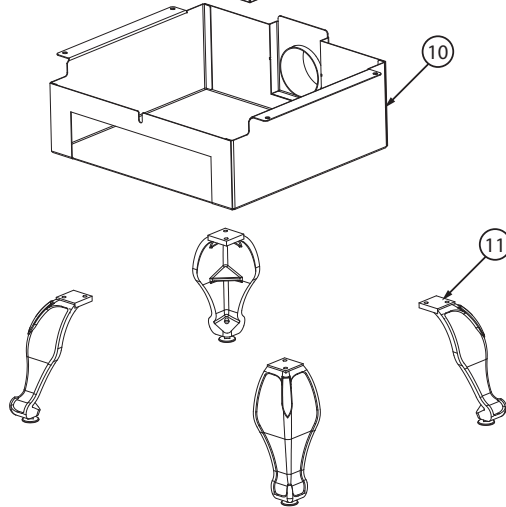
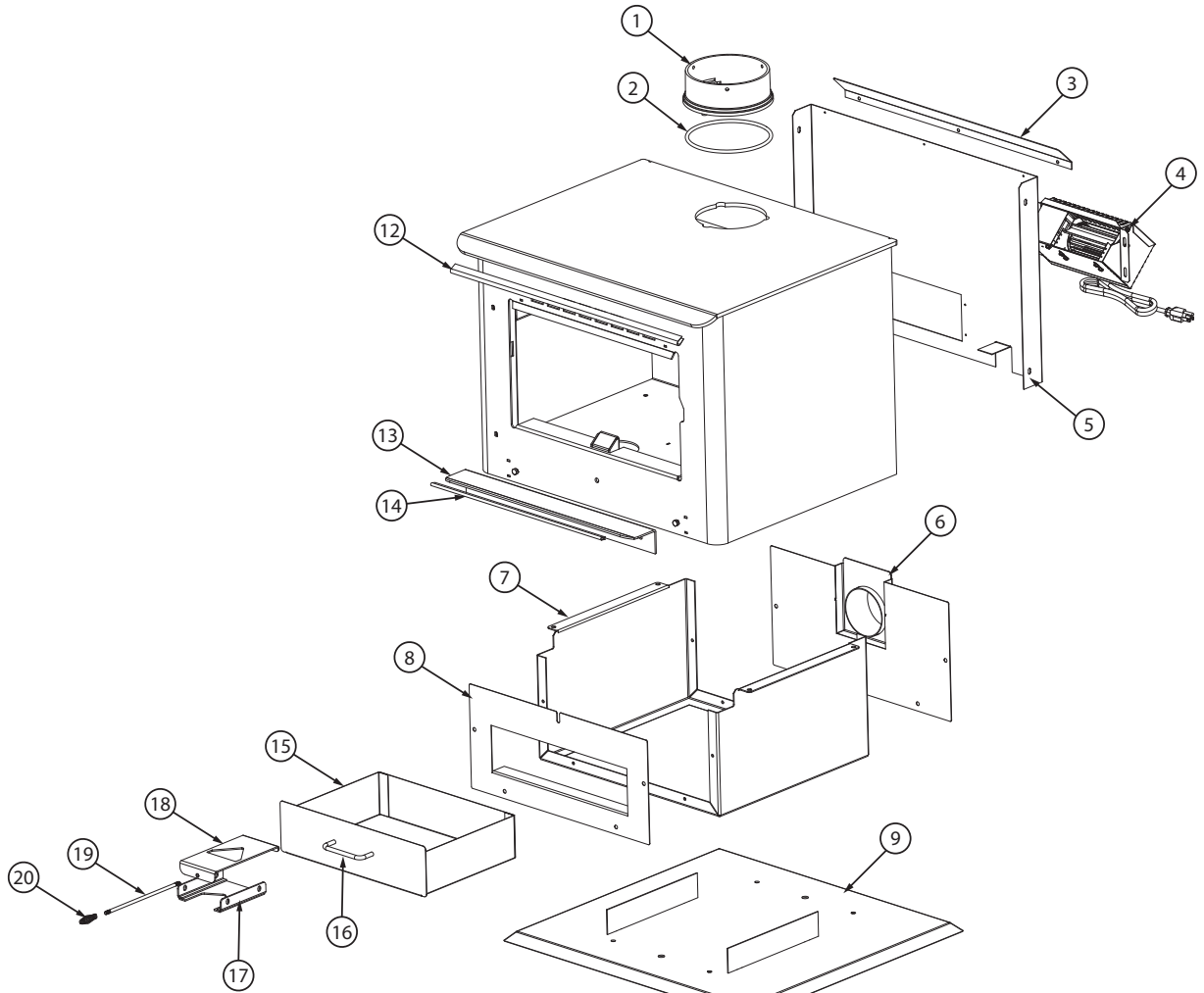
## **GASKETING**

This unit's door uses a 5/8" diameter rope gasket. It is recommended that you change the door gasket (which makes your stove door air tight) once a year, in order to ensure good control over the combustion, maximum efficiency and security. To change the door gasket, simply remove the damaged one. Carefully clean the available gasket groove, apply a high temperature silicone sold for this purpose, and install the new gasket. You may light up your stove again approximately 24 hours after having completed this operation.

### **WARNING:**

NEVER OPERATE THE STOVE WITHOUT A GASKET OR WITH A BROKEN ONE. DAMAGE TO THE STOVE OR EVEN HOUSE FIRE MAY RESULT.

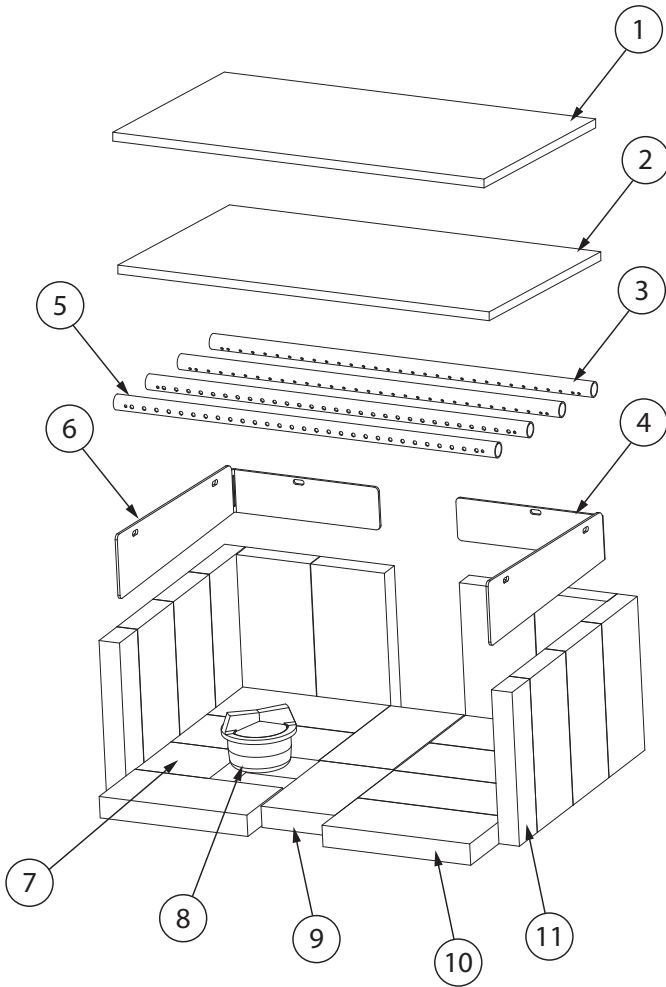
# Repair Parts



Key	Part No.	Description	Qty.
1	40292A	6" Flue Collar	1
2	88042	1/4" Rope Gasket	1
3	25845	Air Deflector	1
4	891492	Blower Assembly (B36)	1
5	26060	Rear Shield	1
6	610926	Rear Ashpan (AW2520EE-BP)	1
7	29243	Pedestal (AW2520EE-BP)	1
8	29065	Pedestal Front (AW2520EE-BP)	1
9	610969	Pedestal Base Weldment (AW2520EE-BP)	1
10	610968	Ashpan Housing (AW2520EE-BL)	1
11	40566	Cast Iron Leg (AW2520EE-BL)	4
12	891496	Hearth Trim 24"	
13	25826	Hearth Plate	1
14	891495	Hearth Trim 18"	1
15	29071	Ash Pan	1
16	891137	Brushed Nickel Handle	1
17	610066	Slide Retainer Weldment	1
18	610068	Damper Slide Weldment	1
19	86954	Damper Rod	1
20	891331	Spring Handle - Brushed Nickel	1

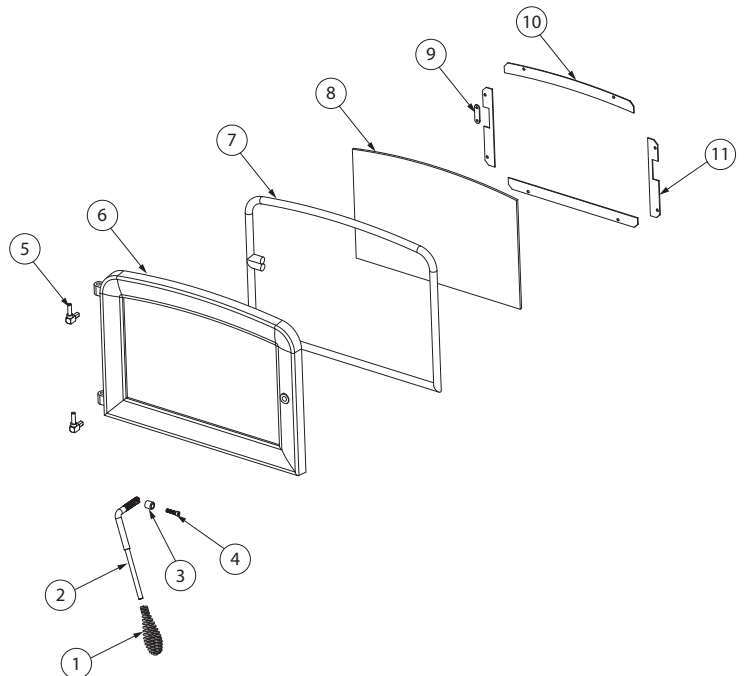
**In order to maintain warranty, components must be replaced using original manufacturers parts purchased through your dealer or directly from the appliance manufacturer. Use of third party components will void the warranty.**

# Repair Parts



Key	Part No.	Description	Qty.
1	88325	Kao Wool Blanket	1
2	88138	Ceramic Fiber Board	1
3	86643	Secondary Air Tube (Ø5/32)	2
4	29247	Right Brick Panel	
5	86645	Secondary Air Tube (Ø7/32)	2
6	29248	Left Brick Panel	1
7	24103A	Half Firebrick Pumice (4-1/2 X 4-1/2)	1
8	40561	Ash Plug	1
9	891530A	Firebrick (4.5 X 7.5 X 1.25)	1
10	89066A	Firebrick Pumice (4-1/2 X 9)	18
11	891414A	Half Firebrick	2

Key	Part No.	Description	Qty.
1	891167	Spring Handle	1
2	893164	Door Handle	1
3	893062	Roller Sleeve	1
4	83788	Socket Head Screw	1
5	891373	Door Hinge Pad (Threaded)	2
6	40882	Lg Arched Door	1
7	88066	Rope Gasket 5/8"	1
8	892204	Glass	1
9	26314	Gasket Clamp	1
10	29164	Bottom Glass Clamp	2
11	29166	Side Glass Clamp	2



**In order to maintain warranty, components must be replaced using original manufacturers parts purchased through your dealer or directly from the appliance manufacturer. Use of third party components will void the warranty.**

# Notes

# Notes

# Service Record

It is recommended that your heating system is serviced regularly and that the appropriate Service Interval Record is completed.

## **SERVICE PROVIDER**

Before completing the appropriate Service Record below, please ensure you have carried out the service as described in the manufacturer's instructions. Always use the manufacturer's specified spare part when replacement is necessary.

<b>Service 01</b>	Date: _____
Engineer Name: _____	
License No.: _____	
Company: _____	
Telephone No.: _____	
Stove Inspected: <input type="checkbox"/>	Chimney Swept: <input type="checkbox"/>
Items Replaced: _____	

<b>Service 02</b>	Date: _____
Engineer Name: _____	
License No.: _____	
Company: _____	
Telephone No.: _____	
Stove Inspected: <input type="checkbox"/>	Chimney Swept: <input type="checkbox"/>
Items Replaced: _____	

<b>Service 03</b>	Date: _____
Engineer Name: _____	
License No.: _____	
Company: _____	
Telephone No.: _____	
Stove Inspected: <input type="checkbox"/>	Chimney Swept: <input type="checkbox"/>
Items Replaced: _____	

<b>Service 04</b>	Date: _____
Engineer Name: _____	
License No.: _____	
Company: _____	
Telephone No.: _____	
Stove Inspected: <input type="checkbox"/>	Chimney Swept: <input type="checkbox"/>
Items Replaced: _____	

<b>Service 05</b>	Date: _____
Engineer Name: _____	
License No.: _____	
Company: _____	
Telephone No.: _____	
Stove Inspected: <input type="checkbox"/>	Chimney Swept: <input type="checkbox"/>
Items Replaced: _____	

<b>Service 06</b>	Date: _____
Engineer Name: _____	
License No.: _____	
Company: _____	
Telephone No.: _____	
Stove Inspected: <input type="checkbox"/>	Chimney Swept: <input type="checkbox"/>
Items Replaced: _____	

<b>Service 07</b>	Date: _____
Engineer Name: _____	
License No.: _____	
Company: _____	
Telephone No.: _____	
Stove Inspected: <input type="checkbox"/>	Chimney Swept: <input type="checkbox"/>
Items Replaced: _____	

<b>Service 08</b>	Date: _____
Engineer Name: _____	
License No.: _____	
Company: _____	
Telephone No.: _____	
Stove Inspected: <input type="checkbox"/>	Chimney Swept: <input type="checkbox"/>
Items Replaced: _____	



# HOW TO ORDER REPAIR PARTS / COMMANDE DE PIÈCES DE RECHANGE

THIS MANUAL WILL HELP TO OBTAIN EFFICIENT, DEPENDABLE SERVICE FROM THE HEATER, AND WILL ENABLE THE CORRECT REPAIR PARTS TO BE ORDERED.

KEEP IN A SAFE PLACE FOR FUTURE REFERENCE.

WHEN WRITING, ALWAYS GIVE THE FULL MODEL NUMBER WHICH IS ON THE NAMEPLATE ATTACHED TO THE BACK OF THE HEATER.

WHEN ORDERING REPAIR PARTS, ALWAYS GIVE THE FOLLOWING INFORMATION AS SHOWN IN THIS LIST /

CE GUIDE VOUS AIDERA À OBTENIR UN SERVICE EFFICACE ET FIABLE DE L'APPAREIL DE CHAUFFAGE ET VOUS PERMETTRA DE COMMANDER CORRECTEMENT DES PIÈCES DE RECHANGE.

VEUILLEZ CONSERVER CE GUIDE DANS UN ENDROIT SÛR À DES FINS DE RÉFÉRENCE.

LORSQUE VOUS NOUS ÉCRIVEZ, VEUILLEZ INDIQUER LE NUMÉRO COMPLET DU MODÈLE QUI FIGURE SUR LA PLAQUE SIGNALÉTIQUE DE L'APPAREIL DE CHAUFFAGE.

LORSQUE VOUS COMMANDEZ DES PIÈCES DE RECHANGE, VEUILLEZ TOUJOURS FOURNIR LES RENSEIGNEMENTS SUIVANTS, TELS QUE MONTRÉS DANS CETTE NOMENCLATURE:

1. The PART NUMBER / LE NUMÉRO DE PIÈCE \_\_\_\_\_

2. The PART DESCRIPTION / UNE DESCRIPTION DE LA PIÈCE \_\_\_\_\_

3. The MODEL NUMBER / LE NUMÉRO DE MODÈLE \_\_\_\_\_

4. The SERIAL NUMBER / LE NUMÉRO DE SÉRIE \_\_\_\_\_

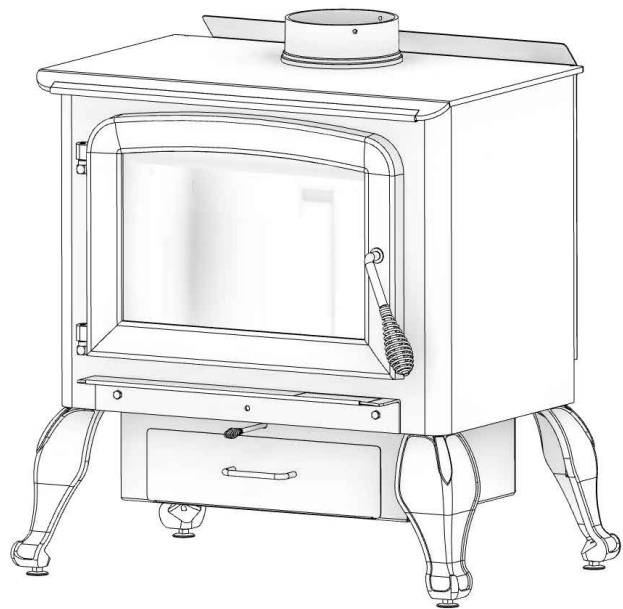
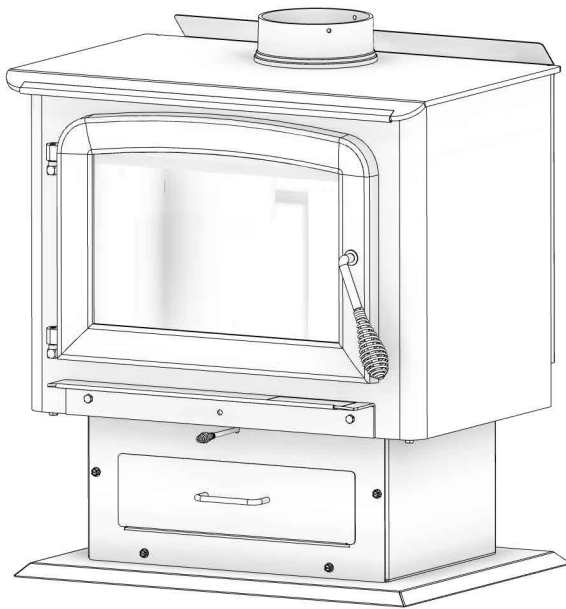


United States Stove Company  
PO Box 151, 227 Industrial Park Rd.,  
South Pittsburg, TN 37380  
PH: (800) 750-2723  
[www.usstove.com](http://www.usstove.com)



# ASHLEY

## HEARTH PRODUCTS MODÈLE: AW2520E



Conservez ces instructions ce manuel vous aidera à obtenir un fonctionnement du poêle efficace et fiable et vous permettra de commander correctement toute pièce détachée. Gardez-le dans un lieu sûr pour toute consultation ultérieure.

### ATTENTION!

Lisez attentivement toutes les instructions avant de commencer l'installation ou de faire fonctionner ce poêle. Une installation incorrecte peut annuler votre garantie!

### AVIS DE SÉCURITÉ:

L'installation incorrecte de ce poêle pourrait entraîner l'incendie du domicile. Pour votre sécurité, respectez les instructions d'installation. N'employez jamais les compromis expédient pendant l'installation de ce réchauffeur. Contactez les fonctionnaires locaux de construction ou de lutte contre les incendies afin de connaître les limitations et les exigences d'installation de votre région.



Numéro du rapport: F19-487

Certifié: UL 1482-2011 (R2015)  
et ULC-S627-00 (R2016)

Maison mobile approuvée  
(États-Unis seulement)

### U.S. Environmental Protection Agency

Certifié pour se conformer aux normes  
d'émissions de particules de 2020.

**⚠ AVERTISSEMENT CONCERNANT LA PROPOSITION 65 DE L'ÉTAT DE LA CALIFORNIE :**  
Ce produit peut vous exposer à des agents chimiques, y compris au monoxyde de carbone, lesquels sont reconnus dans l'État de la Californie comme causant le cancer et des malformations congénitales ou autres dommages au fœtus. Pour obtenir plus de renseignements, veuillez consulter le site [www.P65warnings.ca.gov](http://www.P65warnings.ca.gov)

**UNITED STATES  
STOVE CO**  
EST<sup>®</sup> 1869

United States Stove Company  
PO Box 151, 227 Industrial Park Rd.,  
South Pittsburg, TN 37380  
PH: (800) 750-2723  
[www.usstove.com](http://www.usstove.com)

Les instructions relatives à l'installation de votre poêle à bois sont conformes aux normes UL-1482 (R2015) et ULC-S627-00 (R2016). Ce manuel décrit l'installation et l'utilisation du poêle à bois Ashley, AW2520E. Cet appareil de chauffage répond les limites d'émission de bois de chauffage de l'Environmental Protection Agency des États-Unis de 2020 pour les poêles à bois vendus après 2020. Dans des conditions de test spécifiques, il a été démontré que cet appareil de chauffage fournissait de la chaleur à des taux allant de 20 374 à 60 065 Btu / h (\*0,88 g/hr et une efficacité de 73%). Remarque: Les valeurs nominales en BTU mentionnées ci-dessus sont basées sur le protocole de test de l'EPA dans des conditions de test spécifiques. Notre Les BTU annoncés sont basés sur la première heure de fonctionnement au bois de corde brûlant à un taux de combustion élevé.

Combustible:	Bois	
Couleurs:	Noir métallique	
Diamètre du tuyau de carneau:	6po (152,5 mm)	
Type du tuyau de carneau: (Paroi unique ou paroi double standard):	Acier noir ou bronzé 2100 °F (650 °C)	
Hauteur minimale de la cheminée:	12' (3,7 m)	
Longueur maximale des bûches:	21po (534mm)	
Dimensions		
Générales: Profondeur x Largeur x Hauteur:	AW2520E-BL	25,5 po x 29,4 po x 31,3 po (648 mm x 747 mm x 794 mm)
	AW2520E-BP	25,6 po x 27 po x 31,4 po (650 mm x 686 mm x 798 mm)
Chambre de combustion: Largeur x Profondeur:	22-3/4po x 16-5/8po (578 mm x 423 mm)	
Volume: Pieds cubes:	2,73 pieds cubes	
Ouverture de la porte: Largeur x Hauteur:	18 po x 9-3/4 po (458 mm x 248 mm)	
Porte en verre pyrocéramique: (Visualisation) Largeur x Hauteur:	16 po x 10,3 po (407 mm x 261 mm)	

ACCESSOIRES EN OPTION	
DESCRIPTION	N° PIÈCE
Kit d'admission d'air extérieur	4FAK

#### AVERTISSEMENTS:

- CHAUD DURANT LE FONCTIONNEMENT. MAINTENEZ LES ENFANTS, LES VÊTEMENTS ET LE MOBILIER ÉLOIGNÉS. TOUT CONTACT PEUT ENTRAÎNER DES BRÛLURES.
- N'UTILISEZ PAS DE PRODUITS CHIMIQUES NI DE FLUIDES POUR DÉMARRER LE FEU.
- NE LAISSEZ PAS LE POÊLE SANS SURVEILLANCE LORSQUE LA PORTE EST LÉGÈREMENT OUVERTE.
- NE BRÛLEZ PAS DE DÉCHETS NI DE FLUIDES INFLAMMABLES TELS QUE L'ESSENCE, LE NAPHTHA OU L'HUILE POUR MOTEUR.
- NE CONNECTEZ PAS LE POÊLE À UN CONDUIT OU CIRCUIT DE DISTRIBUTION D'AIR.
- FERMEZ TOUJOURS LA PORTE APRÈS L'ALLUMAGE.

#### OUTILS ET ÉQUIPEMENTS NÉCESSAIRES POUR L'INSTALLATION

Vous aurez besoin d'une perceuse équipée d'un foret de 1/8" afin d'installer les vis à tôle dans le raccord de conduite. Une clé/douille ou tournevis de 5/16" afin d'installer l'habillage du socle, le collecteur de la pièce et l'ensemble de la soufflante décrits ci-dessous. Une clé/douille de 2" pour installer la buse. Un protecteur de sol incombustible tel que spécifié dans ce manuel. Tous les composants de la cheminée et du raccord de cheminée nécessaires pour votre installation particulière de cheminée. Pour les maisons mobiles.

#### ASSEMBLAGE

Assemblage de la buse:

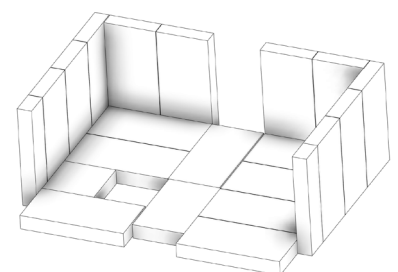
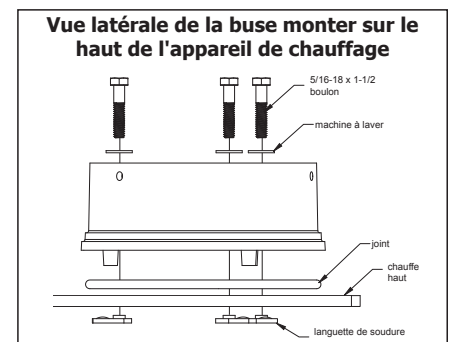
- Montez la buse sur le haut de l'unité tel qu'illustré en utilisant les (3) vis 5/16-18 x 1-1/2, (3) rondelles, et (3) languettes soudées fournies dans la boîte des pièces.

Assemblage du collecteur de la pièce:

- Positionnez le collecteur de la pièce. En utilisant les trois (3) vis auto-perceuses fournies, montez le collecteur sur l'unité tel qu'illustré sur le schéma.

Configuration des briques réfractaires:

- Remettez les briques réfractaires tel qu'indiqué sur l'illustration ci-dessous.



Configuration des briques

Remarque: Enregistrez votre produit en ligne sur [www.usstove.com](http://www.usstove.com).  
Conservez votre reçu avec vos dossiers pour toute réclamation.

## **INSTRUCTIONS DESTINÉES À L'ASSEMBLAGE DE LA SOUFFLANTE**

**REMARQUE:** Le ventilateur B36 peut être acheté séparément s'il n'est pas équipé.

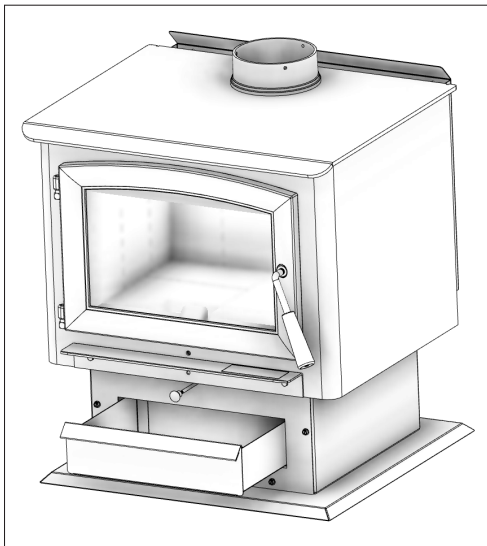
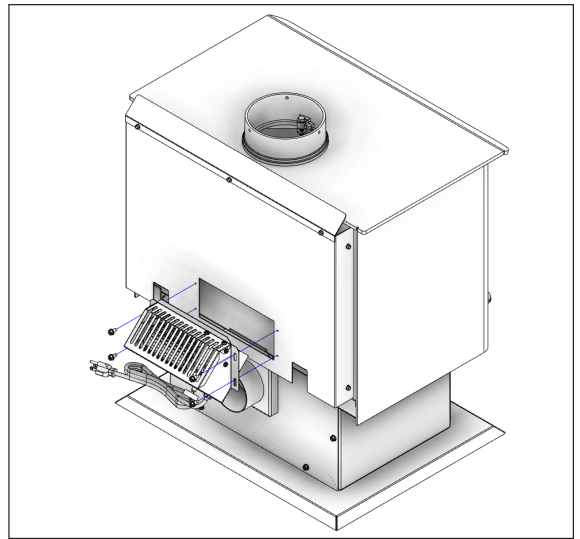
L'ENSEMBLE DE LA SOUFFLANTE DOIT ÊTRE DÉCONNECTÉ DE LA SOURCE D'ALIMENTATION ÉLECTRIQUE AVANT LE DÉMARRAGE DE L'INSTALLATION.

Étape 1.

Fixez l'ensemble au dos du poêle à l'aide des quatre vis fournies.

L'ENSEMBLE DE LA SOUFFLANTE EST PRÉVU POUR ÊTRE UTILISÉ UNIQUEMENT AVEC UN POÊLE MARQUÉ TEL QU'INDIQUÉ POUR CET USAGE.

N'ACHEMINEZ PAS LE CORDON D'ALIMENTATION À PROXIMITÉ OU SUR DES SURFACES CHAUDES !



### **ASSEMBLÉE DE CASSEROLE DE CENDRE**

Enlevez la casserole de cendre du foyer. Sous le foyer, il y a deux parenthèses ; Glissez la casserole de cendre dans ces parenthèses.

## **Installation**

### **AVIS DE SÉCURITÉ:**

- L'INSTALLATION INCORRECTE DE CE POÊLE POURRAIT ENTRAÎNER L'INCENDIE DU DOMICILE. AFIN DE RÉDUIRE LE RISQUE D'INCENDIE, RESPECTEZ LES INSTRUCTIONS D'INSTALLATION. NE PAS RESPECTER LES INSTRUCTIONS PEUT ENTRAÎNER DES DOMMAGES MATÉRIELS, DES BLESSURES PERSONNELLES VOIRE LA MORT !
- CONSULTEZ LES FONCTIONNAIRES MUNICIPAUX DE CONSTRUCTION OU DE LUTTE CONTRE LES INCENDIES AFIN DE CONNAÎTRE LES LIMITATIONS ET LES EXIGENCES D'INSTALLATION DE VOTRE RÉGION.
- UTILISEZ DES DÉTECTEURS DE FUMÉE DANS LA PIÈCE DANS LAQUELLE LE POÊLE EST INSTALLÉ.
- MAINTENEZ LE MOBILIER ET LES RIDEAUX ÉLOIGNÉS DU POÊLE.
- N'UTILISEZ PAS D'ESSENCE, DE COMBUSTIBLE POUR LANTERNE À ESSENCE, DE KÉROSÈNE, DE LIQUIDE D'ALLUMAGE DE CHARBON OU DE LIQUIDES SIMILAIRES POUR DÉMARRER OU « RAVIVER » UN FEU DANS CE POÊLE. MAINTENEZ TOUS CES LIQUIDES ÉLOIGNÉS DU POÊLE.
- EN CAS D'INCENDIE DE CHEMINÉE, FERMEZ COMPLÈTEMENT LA COMMANDE D'AIR AFIN DE PRIVER LE FEU D'OXYGÈNE. APPELEZ LES POMPIERS.
- NE CONNECTEZ PAS LE POÊLE À UN CONDUIT OU CIRCUIT DE DISTRIBUTION D'AIR.
- UNE SOURCE D'AIR FRAIS DANS LA PIÈCE OU L'ESPACE CHAUFFÉ DEVRA ÊTRE FOURNIE SI NÉCESSAIRE.

### **POSITIONNER LE POÊLE**

Il est très important de positionner le poêle à bois aussi près que possible de la cheminée, et dans une zone qui favorisera la distribution de chaleur la plus efficace possible au sein du domicile. Le poêle doit par conséquent être installé dans la pièce où vous passez le plus de temps, et dans la pièce la plus spacieuse possible. Rappelez-vous que les poêles à bois produisent une chaleur rayonnante, la chaleur que nous sentons lorsque nous sommes à proximité d'un poêle à bois. Un poêle à bois fonctionne aussi par convection, grâce au déplacement de l'air chaud accéléré vers le haut et son remplacement par de l'air plus frais. Si nécessaire, la distribution d'air chaud à partir du poêle peut être facilitée par l'installation d'une soufflante.

Le poêle à bois ne doit pas être raccordé à un système de distribution d'air chaud car une accumulation excessive de chaleur pourrait avoir lieu.

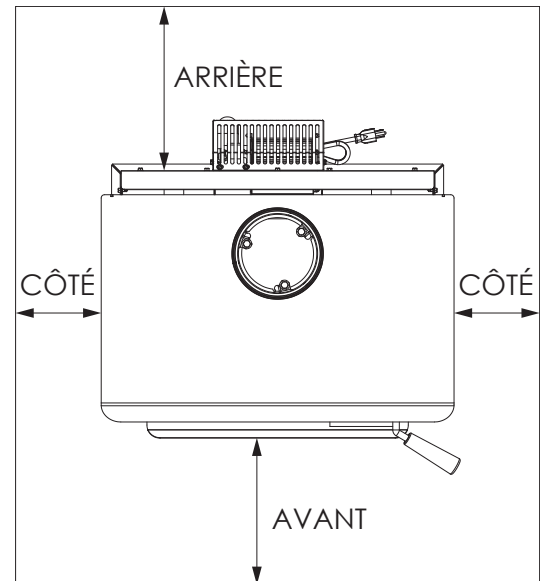
Un poêle à bois ne doit jamais être installé dans un couloir ou près d'un escalier, car cela pourrait bloquer le passage en cas d'incendie ou ne pas respecter les dégagements requis.

## PROTECTEUR DE SOL

Cet appareil de chauffage doit avoir un protecteur de sol incombustible avec une valeur R d'au moins 1.4 installée en dessous de celui-ci si le sol est construit en matériau combustible. Si un tampon de sol est utilisé, il doit être répertorié UL ou équivalent. Le protecteur de sol doit être suffisamment grand pour s'étendre sous le poêle et au-delà de chaque côté, comme indiqué. S'il y a un conduit de cheminée horizontal, il doit y avoir une protection du plancher dessous qui s'étend de deux pouces au-delà de chaque côté du tuyau.

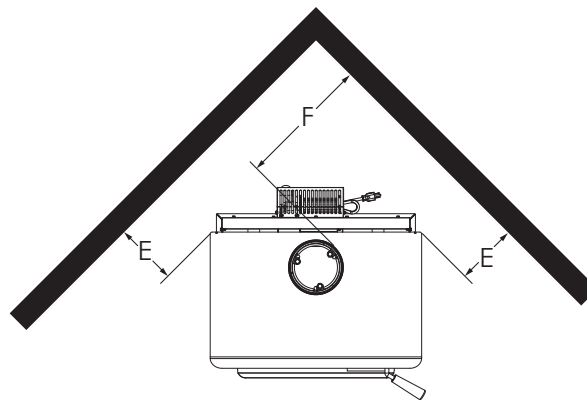
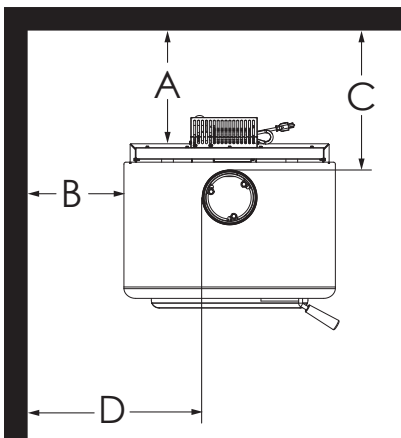
Avant	Côtés	Arrière
26" (661mm)	8" (203mm)	☆2" (51mm)

☆ - Les installations canadiennes nécessitent 8" (203mm)



## DÉGAGEMENTS AVEC LES MATIÈRES COMBUSTIBLES

Il est extrêmement important que les dégagements avec les matières combustibles soient strictement respectés lors de l'installation du poêle. Consultez les tableaux ci-dessous:



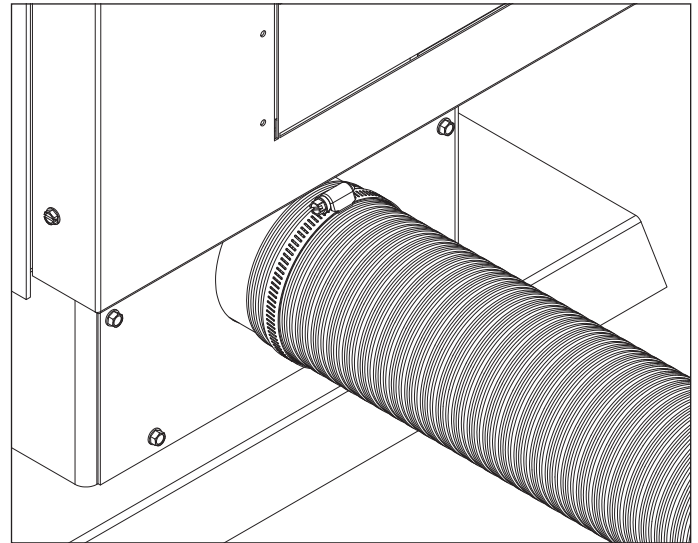
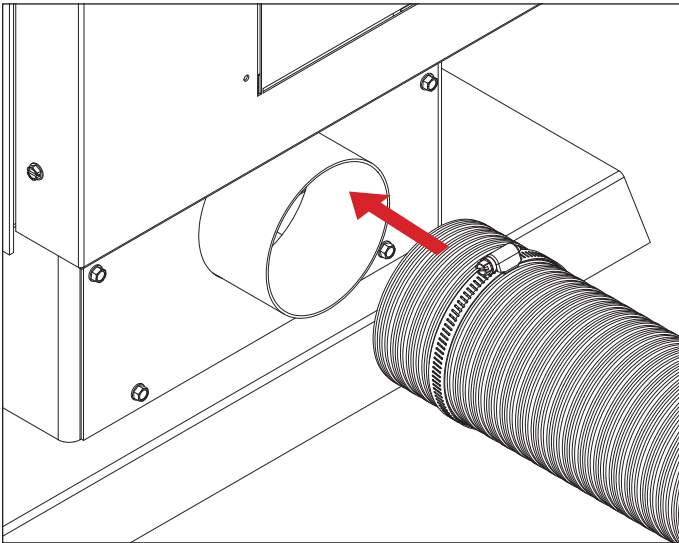
Tuyau à paroi simple (tuyau à double paroi)		
Clé	po	mm
A	10 (10)	254 (254)
B	19 (19)	483 (483)
C	13 (13)	331 (331)
D	30 (29)	762 (737)
E	10 (10)	254 (254)
F	20 (20)	508 (508)

- La hauteur entre le sol et le plafond doit être d'au moins 7' (2,13 m) dans tous les cas.
- Ne placez aucune matière combustible à moins de 4' (1,2 m) de l'avant de l'unité.
- Le dégagement entre le tuyau de carneau et un mur est valable uniquement pour les murs verticaux et pour un tuyau de carneau vertical.
- S'il y a un conduit de cheminée horizontal, il doit y avoir au moins 18 pouces d'espace libre entre le tuyau et le plafond. Il doit également y avoir une protection du sol sous la conduite horizontale qui s'étend de 2 po au-delà de chaque côté du conduit de cheminée.
- Le raccord de cheminée ne doit pas passer à travers un grenier ou un espace du toit, des toilettes ou des espaces confinés similaires, un plancher ou un plafond.
- Dans une installation canadienne dans laquelle un passage à travers un mur, ou une partie de construction combustible est souhaitée, l'installation doit être conforme à CAN/CSA-B365.
- Un tuyau de carneau traversant une paroi combustible doit avoir un dégagement minimum de 18" (457,2 mm).
- Pour réduire les dégagements de carneau avec les matériaux combustibles, contactez votre service local de sécurité.

### **AIR DE COMBUSTION EXTÉRIEUR**

Votre poêle à bois est approuvé pour être installé avec une entrée d'air extérieur (4FAK) nécessaire pour une maison mobile. Ce type d'installation est également requis dans les maisons étanches et les maisons ayant des problèmes de pression négative. Vous pouvez acheter cette option auprès de votre vendeur d'appareils de chauffage. Assurez-vous d'indiquer le numéro de pièce mentionné dans ce livret. Les instructions relatives à l'installation sont fournies avec le kit d'admission d'air. L'air de combustion extérieur peut être requis si:

1. Votre poêle n'aspire pas de façon continue, une dispersion des fumées a lieu, le bois brûle mal, ou des contre-explosions se produisent qu'il y ait ou non des matières combustibles.
2. Les appareils à foyer existants au sein du domicile, tels que des cheminées ou d'autres appareils de chauffage, émettent des odeurs, ne fonctionnent pas correctement, émettent des fumées lorsqu'ils sont ouverts ou des contre-explosions se produisent qu'il y ait ou non des matières combustibles.
3. Ouvrir légèrement une fenêtre lors d'un jour calme (sans vent) réduit les symptômes ci-dessus.
4. La maison est équipée d'un pare-vapeur parfaitement étanche et de fenêtres bien ajustées et/ou dispose d'appareils électriques qui expulsent l'air de la maison.
5. Il y a une condensation excessive sur les vitres en hiver.
6. Un système de ventilation est installé dans la maison.

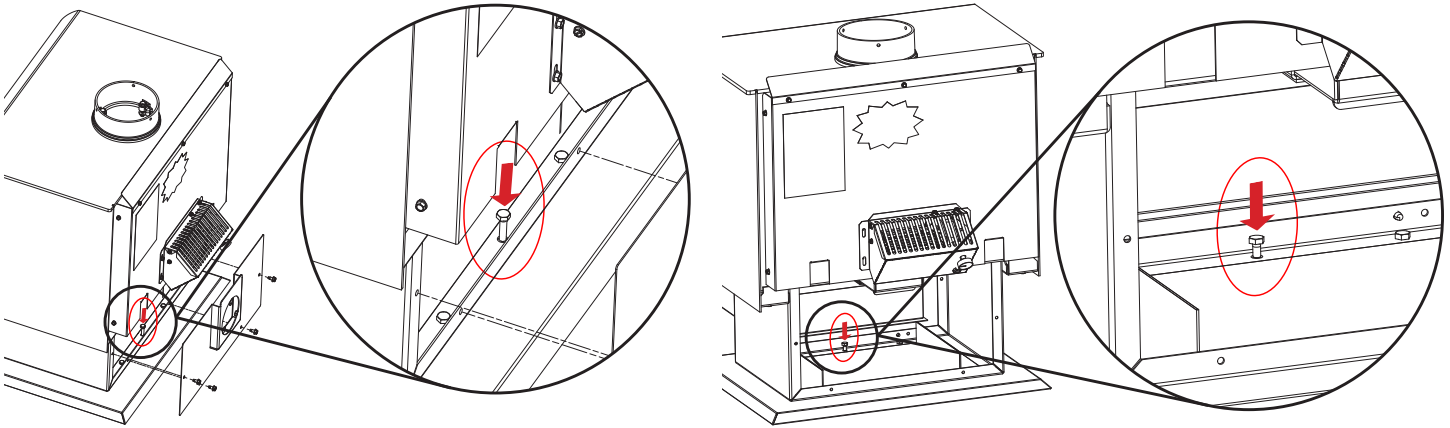


Faites glisser le collier de serrage sur le tuyau flexible en aluminium. Ensuite, glissez le tuyau flexible sur le tube d'admission d'air du poêle. Serrez ensuite le collier de serrage sur l'extrémité du tuyau flexible en aluminium.

**Pour utilisation dans des MAISONS MOBILES (installations aux É.-U. UNIQUEMENT):**

- AVERTISSEMENT ! NE PAS INSTALLER DANS UNE CHAMBRE À COUCHER.
- ATTENTION ! L'INTÉGRITÉ STRUCTURELLE DU PLANCHER, DES PAROIS ET DU PLAFOND/TOIT DE LA MAISON MOBILE DOIT ÊTRE MAINTENUE.
- LE POÊLE DOIT ÊTRE FIXÉ À LA STRUCTURE DE LA MAISON MOBILE EN UTILISANT LES TROUS DE FIXATION SITUÉS À LA BASE DE L'UNITÉ.
- INSTALLEZ CONFORMÉMENT À LA PARTIE 3280 DE 24 CFR (HUD).
- UTILISEZ UNE CHEMINÉE FABRIQUÉE EN USINE QUI RÉPONDE AUX STANDARDS DE L'UL 103 ; PAR CONSÉQUENT ELLE DOIT ÊTRE DE TYPE HT (2100 °F).
- UTILISEZ UN PARE-ÉTINCELLES

Illustration: Fixation du réchauffeur au plancher.



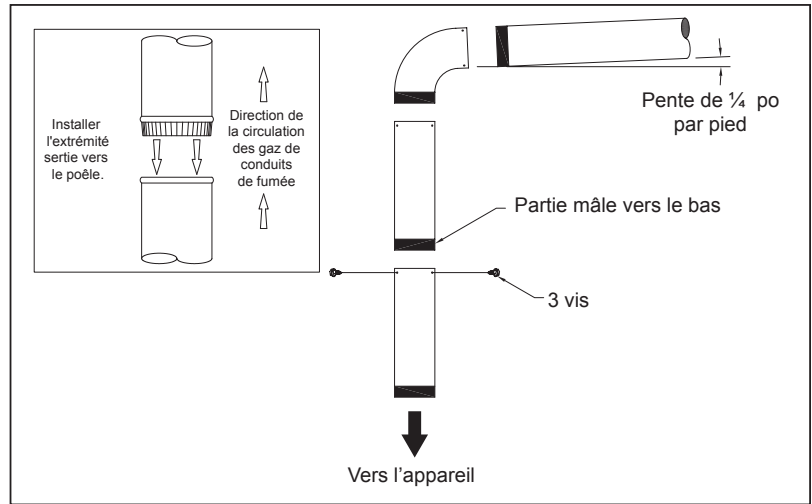
**Utilisé pour fixer les appareils avec les pattes au sol. (Pour une utilisation de maison mobile)**

1. Le support s'engage autour de l'extrusion carrée du boulon de nivellement inséré dans la jambe.
2. Une fois l'appareil mis à niveau, positionnez le support et fixez-le au sol à l'aide de la visserie appropriée à votre sol.
3. Installez un support par jambe ou consultez votre autorité locale compétente pour déterminer le nombre de points de fixation requis.



## RACCORD DE CHEMINÉE (TUYAU PLISSÉ)

Votre raccord de cheminée et votre cheminée doivent avoir le même diamètre que la sortie du poêle (6"). Si ce n'est pas le cas, nous vous recommandons de contacter votre vendeur afin de vous assurer qu'il n'y aura aucun problème de tirage. Le tuyau de poêle doit être fabriqué dans un acier aluminisé ou laminé à froid d'une épaisseur minimale de 0,021" ou 0,53 mm. Il est strictement interdit d'utiliser un acier galvanisé. Votre tuyau de fumée devra être assemblé de telle sorte que la partie mâle (extrémité sertie) du tuyau pointe vers le bas. Fixez chacune des parties à une autre avec trois vis à tête équidistantes. Le tuyau doit être court et droit. Toutes les parties installées horizontalement doivent avoir une pente d'au moins 1/4 de pouce par pied, avec l'extrémité supérieure de la partie dirigée vers la cheminée. Une installation avec une section horizontale de tuyau de cheminée doit être conforme à NFPA 211. Vous pouvez contacter la NFPA (Association nationale de protection contre les incendies) et demander la dernière édition du standard 211 de la NFPA. Pour assurer un bon tirage, la longueur totale du tuyau de raccordement ne devra jamais dépasser 8' à 10' (2,4 m à 3,04 m). (Excepté dans le cas d'installations verticales, de type plafond cathédrale où le système d'aspiration des fumées peut être beaucoup plus long et raccordé sans problème au plafond de la pièce). Il ne devra jamais y avoir plus de deux coudes à 90 degrés dans le système d'aspiration des fumées. L'installation d'un « stabilisateur de tirage barométrique » (registre de cheminée) sur un système d'aspiration des fumées est interdite. De plus, l'installation d'un registre de tirage n'est pas recommandée. En effet, avec un poêle à bois de combustion contrôlée, le tirage est régulé dès l'admission de l'air de combustion dans le poêle et non à l'évacuation.

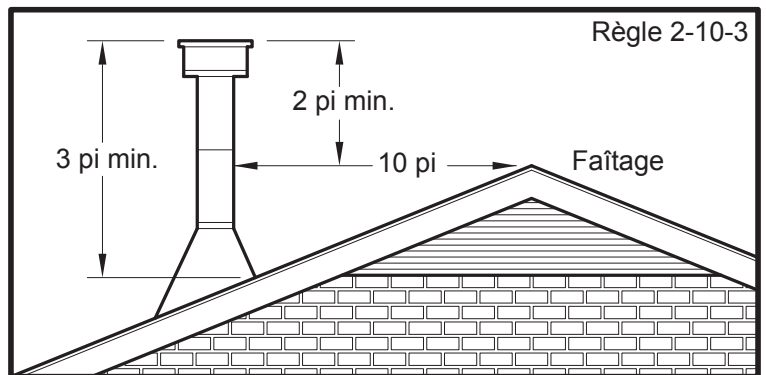


## IMPORTANCE D'UN TIRAGE ADÉQUAT

Le tirage est une force déplaçant l'air de l'appareil vers la cheminée. La quantité de tirage dans votre cheminée dépend de la longueur de la cheminée, son emplacement géographique local, les obstructions à proximité et d'autres facteurs. Trop de tirage peut causer des températures excessives dans l'appareil et pourrait l'endommager. Un tirage inadéquat peut causer des retours de fumée dans la pièce et causer l'obturation de la cheminée. Un tirage inadéquat causera des fuites de fumée par l'appareil dans la pièce, s'infiltrant par l'appareil, et les joints du conduit de raccordement. Un brûlage incontrôlable ou une température excessive indique un tirage excessif.

## CHEMINÉE

Tenez compte de l'emplacement de la cheminée pour veiller à ce qu'elle ne soit pas trop près des voisins ou dans une vallée pouvant causer des conditions malsaines ou nuisibles. Votre poêle à bois doit être raccordé avec une cheminée fabriquée en usine ou en maçonnerie de 6". Si vous utilisez une cheminée fabriquée en usine, elle doit répondre à la norme UL 103 et CAN/CSA-B365 ; par conséquent elle doit être de type HT (2100 °F). Il est extrêmement important qu'elle soit installée conformément aux spécifications du fabricant. Si vous utilisez une cheminée en maçonnerie, il est important qu'elle soit construite conformément aux spécifications du Code national de construction. Elle doit être revêtue de briques en argile réfractaires, de tuiles métalliques ou en argile scellées ensemble avec un ciment réfractaire. (Les carreaux cylindriques sont les plus efficaces). Le diamètre intérieur du carreau de cheminée doit être identique à l'aspiration des fumées du poêle. Un carreau trop petit peut entraîner des problèmes de tirage, tandis qu'un grand carreau favorise un refroidissement rapide des gaz, et donc l'accumulation de crésote et le risque de feux de cheminée. Remarquez que c'est la cheminée et non le poêle qui crée l'effet de tirage ; les performances de votre poêle dépendent directement du bon tirage de votre cheminée.

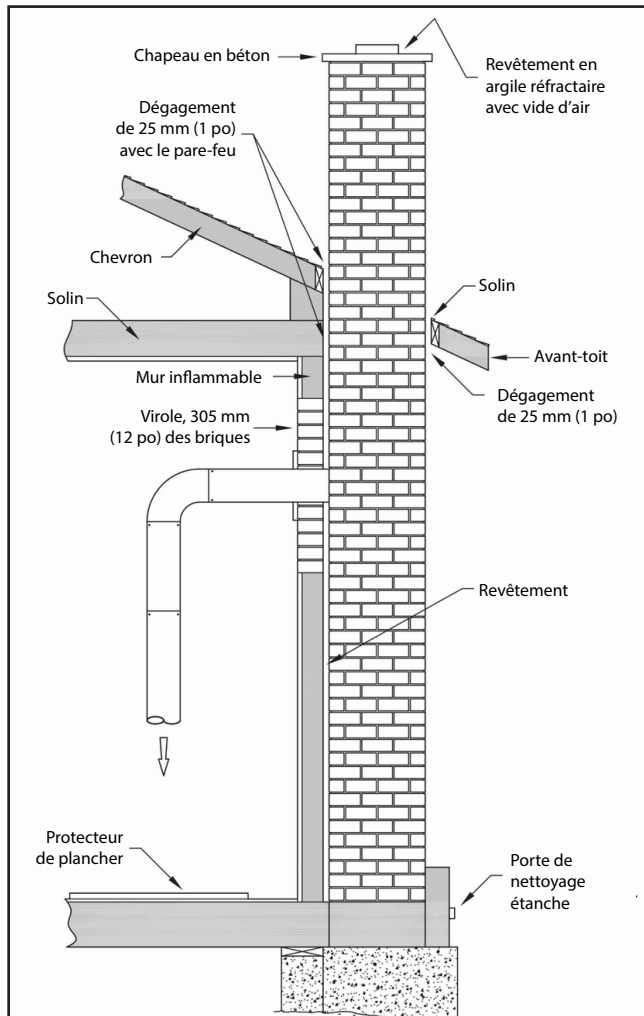
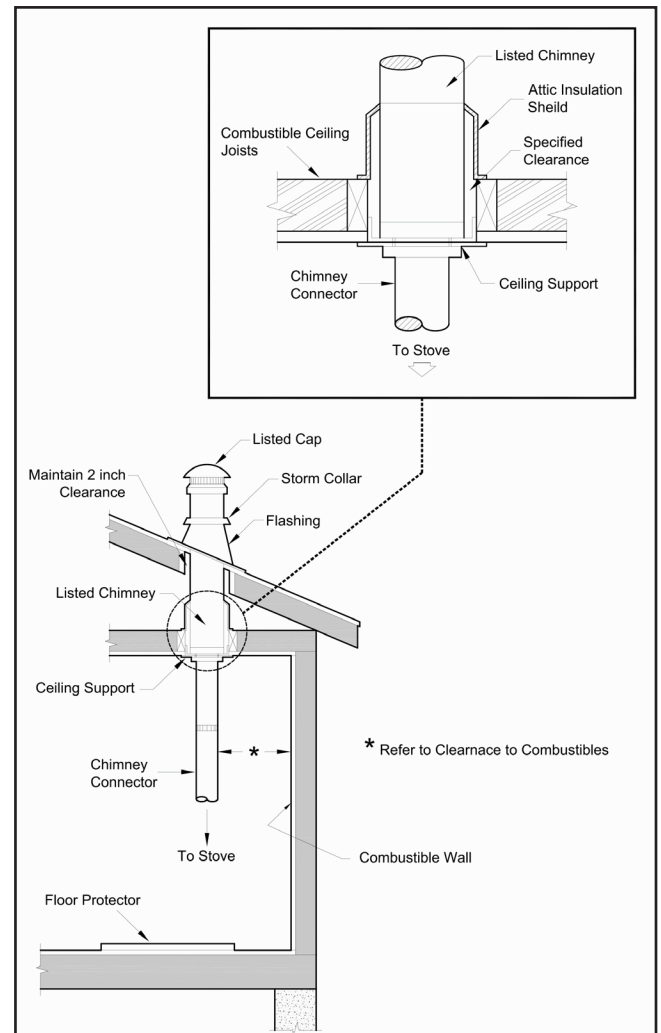


Les recommandations suivantes peuvent être utiles pour l'installation de votre cheminée:

1. Ne connectez pas cette unité à un carreau de cheminée utilisé par un autre appareil.
2. Elle doit s'élever au-dessus du toit d'au moins 3' (0,9 m) à partir du point le plus haut de contact.
3. La cheminée doit dépasser toute partie de la construction ou autre obstruction à moins de 10' (3,04 m) d'une hauteur de 2' (0,6 m).
4. L'installation d'une cheminée intérieure est toujours préférable à une cheminée extérieure. En effet, la cheminée intérieure, sera, par définition, plus chaude qu'une cheminée extérieure, étant donné qu'elle est chauffée par l'air ambiant de la maison. Par conséquent, le gaz qui circule se refroidira plus lentement, réduisant ainsi l'accumulation de crésote et le risque de feux de cheminée.
5. Le tirage entraîné par la tendance de l'air chaud à s'élever sera augmenté avec une cheminée intérieure.
6. L'utilisation d'un pare-feu à l'extrémité de la cheminée requiert une inspection régulière afin de garantir qu'il n'est pas obstrué, bloquant donc le tirage et devra être nettoyé lorsqu'il est utilisé régulièrement.

### CHEMINÉE FABRIQUÉE EN USINE:

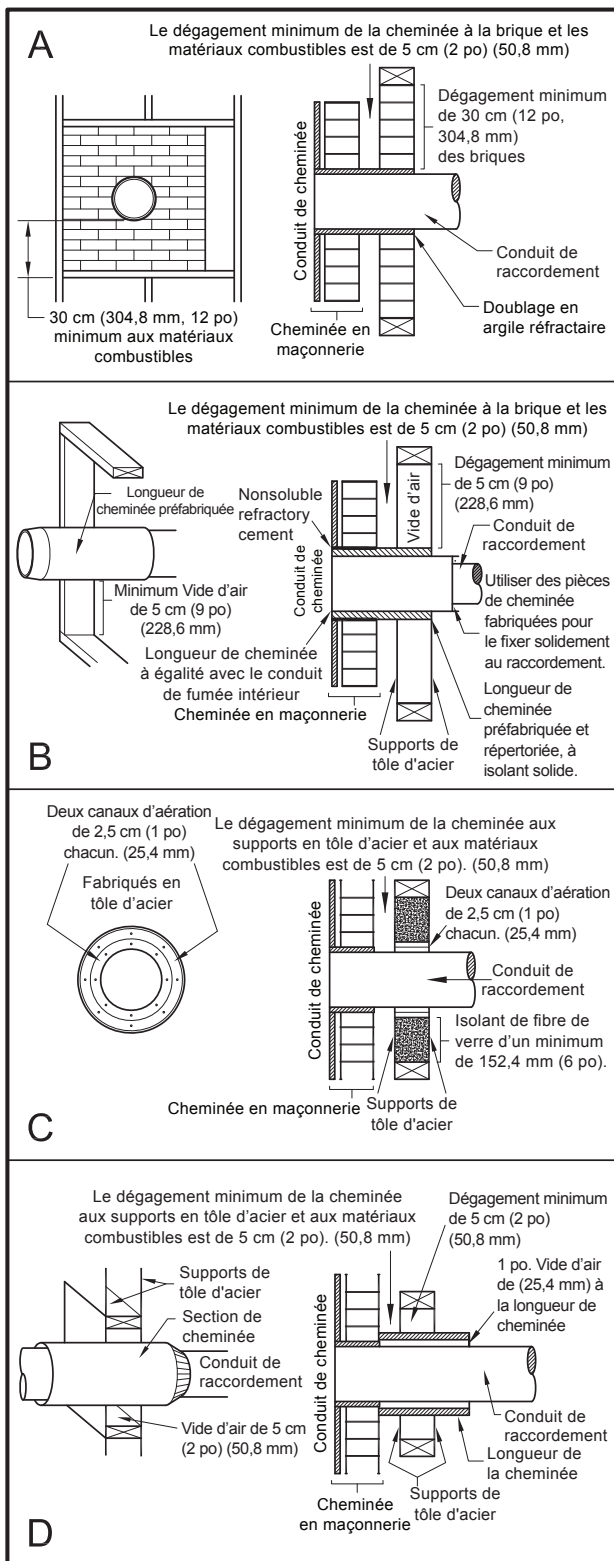
Lorsqu'une cheminée métallique préfabriquée est utilisée, les instructions d'installation du fabricant doivent être respectées. Vous devez également acheter (auprès du même fabricant) et installer l'ensemble de support du toit ou le passage du toit et l'ensemble de la partie en "T", des coupe-feu (si nécessaires), un écran d'isolation, un chaperon de toiture, un chapeau de cheminée, etc. Maintenez un dégagement approprié avec la structure tel que recommandé par le fabricant. La cheminée doit avoir la hauteur requise au-dessus du toit ou d'autres obstructions pour des raisons de sécurité et un bon tirage.



### CHEMINÉE EN MAÇONNERIE:

Assurez-vous qu'une cheminée en maçonnerie réponde aux standards minimum de l'Association nationale de protection contre les incendies (NFPA) en la faisant inspecter par un professionnel. Assurez-vous qu'il n'y ait pas de fissures, de mortiers perdus ou d'autres signes de détérioration et de blocage. Faites nettoyer la cheminée avant d'installer et de faire fonctionner le poêle. Lors du raccordement du poêle à travers une paroi combustible vers une cheminée en maçonnerie, des méthodes spéciales sont requises.

## PASSAGES DE RACCORDEMENT DE CHEMINÉE À TRAVERS UNE PAROI COMBUSTIBLE



Méthode A. Dégagement de 12" (304,8 mm) avec un membre de paroi combustible: En utilisant des briques d'une épaisseur minimale de 3,5" (89 mm) et un revêtement en argile d'une épaisseur minimale de 5/8" (15,9 mm), construisez un passage à travers la paroi. Le revêtement en argile doit être conforme à l'ASTM C315 (Spécification standard des revêtements réfractaires en argile) ou son équivalent. Maintenez un minimum de 12" (304,8 mm) de maçonnerie en briques entre le revêtement en argile et les matières combustibles de la paroi. Le revêtement en argile devra s'étendre de la surface extérieure de la maçonnerie en briques jusqu'à la surface intérieure du revêtement du carneau de la cheminée mais pas au-delà de la surface intérieure. Coulez ou cimentez fermement le revêtement en argile en place dans le revêtement du carneau de la cheminée.

Méthode B. Dégagement de 9" (228,6 mm) avec un membre de paroi combustible: En utilisant une partie de cheminée Solid-Pak fabriquée en usine, agréée, de 6" (152,4 mm) de diamètre intérieur avec une isolation de 1" (25,4 mm) ou plus, construisez un passage à travers la paroi avec une couche d'air de 9" (228,6 mm) minimum entre la paroi extérieure de la longueur de la cheminée et les matières combustibles de la paroi. Utilisez des supports en tôle fixés de façon sûre aux surfaces de la paroi sur tous les côtés afin de maintenir une couche d'air de 9" (228,6 mm). Lors de la fixation des supports sur la longueur de la cheminée, ne pénétrez pas dans le revêtement de la cheminée (la paroi intérieure de la cheminée Solid-Pak). L'extrémité du revêtement de la section de la cheminée Solid-Pak devra affleurer l'intérieur du carneau de la cheminée en maçonnerie, et être scellée avec un ciment réfractaire non soluble dans l'eau. Utilisez ce ciment pour également calfeutrer la pénétration de la maçonnerie en briques.

Méthode C. Dégagement de 6" (152,4 mm) avec un membre de paroi combustible: En commençant avec un raccord de cheminée métallique de 6" (152,4 mm) de calibre 24 [0,024" [0,61 mm]], et un manchon mural ventilé de calibre 24 minimum ayant deux conduits d'air de 1" (25,4 mm) chacun, construisez un passage à travers la paroi. Il devra y avoir une zone de séparation de 6" (152,4 mm) minimum contenant une isolation en fibre de verre, à partir de la surface extérieure du manchon mural jusqu'aux matières combustibles de la paroi. Soutenez le manchon mural et couvrez son ouverture avec un support métallique en tôle de calibre 24 minimum. Maintenez un espace de 6" (152,4 mm). Il devra également y avoir un support dimensionné pour adapter et maintenir le raccord de cheminée métallique. Vérifiez que les supports soient fixés de façon sûre aux surfaces de la paroi sur tous les côtés. Assurez-vous que les éléments de fixation utilisés pour maintenir le raccord de cheminée métallique ne pénétrant pas dans le revêtement du carneau de la cheminée.

Méthode D. Dégagement de 2" (50,8 mm) avec un membre de paroi combustible: Commencez avec une partie de cheminée Solid-Pak fabriquée en usine, agréée, d'au moins 12" (304 mm) de diamètre intérieur avec une isolation de 1" (25,4 mm) ou plus, et un raccord de cheminée de 8" de diamètre intérieur (de 2 pouces [51 mm] plus grand que celui de 6" [152,4 mm]). Utilisez celle-ci comme passage pour un raccord de cheminée métallique pour paroi unique de calibre 24 minimum. Maintenez la section concentrique solid-pak avec le raccord de la cheminée et à une distance de 1" (25,4 mm) de ce dernier grâce aux platines-supports en tôle situées aux deux

extrémités de la section de la cheminée. Couvrez l'ouverture et soutenez la section de la cheminée des deux côtés à l'aide de supports métalliques en tôles de calibre 24 minimum. Vérifiez que les supports soient fixés de façon sûre aux surfaces de la paroi sur tous les côtés. Assurez-vous des éléments de fixation utilisés pour maintenir le conduit de carneau de la cheminée.

### REMARQUES:

Les raccords d'une cheminée de maçonnerie, sauf ceux de la méthode B, devront s'étendre sur une section continue à travers le système de passage mural et la paroi de la cheminée, jusqu'à la surface du revêtement intérieur du carneau mais sans le dépasser.

Un raccord de cheminée ne devra pas passer à travers un grenier ou un espace du toit, des toilettes ou des espaces confinés similaires, un plancher ou un plafond.

## UTILISATION DU POÊLE À BOIS

### NE PAS BRÛLER:

1. Des ordures;
2. Des déchets de tonte ou résidus de jardin;
3. Des matériaux contenant du caoutchouc, incluant les pneus;
4. Matériaux contenant du plastique;
5. Des déchets de produits du pétrole, des peintures ou diluants à peinture, ou des produits d'asphalte;
6. Matériaux contenant de l'amiante;
7. Débris de construction ou de démolition;
8. Traverses de voie ferrée ou bois traité sous pression;
9. Fumier ou restes d'animaux;
10. Bois de grève en eau salée ou autres matériaux précédemment saturés par de l'eau salée;
11. Bois non séché; ou
12. Produits du papier, carton, contreplaqué, ou panneau de particules. L'interdiction de brûlage de ces matériaux n'interdit pas l'utilisation d'allume-feu composés de papier, carton, sciure de bois, cire et substances similaires, aux fins de démarrer le feu dans un chauffage au bois modifié.

Le brûlage de ces matériaux peut causer des émanations de fumées toxiques ou rendre le chauffage inefficace en raison de la fumée. Le bois mort tombé des arbres doit être considéré comme étant mouillé et doit donc être séché. Le bois mort peut normalement être considéré comme sec à 66 %. Fendre et empiler le bois avant de l'entreposer accélère son séchage. Entreposez le bois sur une surface surélevée du sol et sous un espace abrité de la pluie ou de la neige, accélèrera le temps de séchage. Un bon indicateur pour savoir si le bois est prêt à brûler est de vérifier les extrémités du morceau. Si elles sont fendues de toutes parts à partir du centre, le bois devrait donc être suffisamment sec. Si votre bois grésille quand il brûle, même si la surface est sèche, il pourrait ne pas être entièrement sec et devrait être laissé à sécher plus longtemps. Ne pas brûler les bûches fabriquées à partir de sciure imprégnée de cire ou de bûches avec des additifs chimiques. Les bûches fabriquées à partir de sciure de bois compressée à 100% peuvent être brûlées, mais faites attention à brûler trop de ces bûches en même temps. Commencez avec une bûche fabriquée et voyez comment le poêle réagit. Vous pouvez augmenter le nombre de bûches brûlées à la fois pour vous assurer que la température ne dépasse jamais 246 ° C (475 ° F) sur un thermomètre magnétique pour une installation sur des tuyaux de poêle à paroi simple ou 482 ° C (900 ° F) sur sonde thermométrique pour l'installation sur un tuyau de poêle à double paroi. Le thermomètre doit être placé à environ 18 "(457 mm) au-dessus du poêle. Des températures plus élevées peuvent entraîner une surchauffe et endommager votre poêle.



Votre unité de chauffage a été conçue pour brûler du bois uniquement ; aucun autre matériau ne devra être brûlé. Les déchets et autres matériaux inflammables ne doivent pas être brûlés dans votre poêle. Tous les types de bois peuvent être utilisés dans votre poêle, mais des variétés particulières ont de meilleurs rendements énergétiques que d'autres. Veuillez consulter le tableau suivant afin de faire le meilleur choix possible.

TYPE	POIDS (LBS. CU. FT., À VIDE)	PAR CORDON	CLASSEMENT D'EFFICACITÉ	SE FEND	MILLIONS BTU/ CORDON
Hickory	63	4500	1,0	Bien	31,5
Chêne blanc	48	4100	0,9	Correct	28,6
Chêne rouge	46	3900	0,8	Correct	27,4
Hêtre	45	3800	0,7	Dur	26,8
Érable à sucre	44	3700	0,6	Correct	26,2
Chêne noir	43	3700	0,6	Correct	25,6
Frêne	42	3600	0,5	Bien	25,0
Bouleau jaune	40	3400	0,4	Dur	23,8
Érable rouge	38	3200	0,3	Correct	22,6
Bouleau à papier	37	3100	0,3	Facile	22,1
Orme/Platane	34	2900	0,2	Très difficile	20,1
Épinette rouge	29	1800	0,1	Facile	16,1

Il est EXTRÊMEMENT IMPORTANT que vous utilisiez uniquement du BOIS SEC dans votre poêle à bois. Le bois devra avoir séché durant 9 à 15 mois, de telle sorte que l'humidité (par rapport au poids) soit réduite en deçà de 20% du poids de la bûche. Il est très important de garder à l'esprit que même si le bois a été coupé une, deux ou même plusieurs années auparavant, il n'est pas nécessairement sec, s'il a été entreposé dans de mauvaises conditions. Dans des conditions extrêmes, il peut pourrir au lieu de sécher. Ce point ne peut pas être exagéré ; la grande majorité des problèmes liés au fonctionnement d'un poêle à bois est due au fait que le bois utilisé soit trop tendre ou ait séché dans de mauvaises conditions. Ces problèmes peuvent être:

- problèmes d'allumage
- accumulation de créosote provoquant des feux de cheminée
- rendement énergétique faible
- fenêtres noircies
- combustion incomplète des bûches

Les pièces de bois plus petites sécheront plus rapidement. Toutes les bûches qui dépassent 6" de diamètre devront être fendues. Le bois ne devra pas être entreposé directement sur le sol. L'air devra circuler à travers le cordon. Une couche d'air de 24" à 48" devra être maintenue entre chaque rangée de bûches, qui devront être placées dans un lieu le plus ensoleillé possible. La couche supérieure de bois devra être protégée contre les éléments mais pas les côtés.

### **CONSEILS DE FONCTIONNEMENT POUR UNE COMBUSTION DE QUALITÉ, EFFICACE ET PROPRE**

- Attendez que l'appareil soit chaud et qu'il y ait un bon lit de braises avant de régler à un taux de combustion plus bas (ce qui pourrait prendre 30 minutes ou plus selon le bois utilisé)
- Utilisez de plus petits morceaux de bois pendant l'allumage et un taux de combustion élevé pour augmenter la température du poêle
- Pensez à l'environnement et ne brûlez que du bois séché
- Allumez de feux petits et intenses, au lieu de grands feux lents, lorsque possible.
- Apprenez les caractéristiques de fonctionnement de votre appareil pour obtenir une performance optimale
- Brûler du bois humide a un impact négatif sur l'efficacité de votre poêle et mène à une accélération de l'accumulation de crésote dans la cheminée

### **TESTER VOTRE BOIS**

Quand le poêle est totalement chauffé, placez une pièce de bois fendue (environ cinq pouces de diamètre) parallèlement à la porte sur le lit de braises rouges. Maintenez la commande d'air complètement ouverte en tirant dessus et fermez la porte. Si l'allumage de la pièce se fait en moins de 90 secondes, à partir du moment où elle a été placée dans le poêle, votre bois a séché correctement. Si l'allumage est plus long, votre bois est humide. Si votre bois siffle et que de l'eau ou de la vapeur s'échappe des extrémités de la pièce, votre bois est trempé ou a été fraîchement coupé. N'utilisez pas ce bois dans votre poêle. De grandes quantités de crésote peuvent se déposer dans votre cheminée, créant de possibles conditions de feu de cheminée.

### **AVERTISSEMENT DE FRAUDE**

Ce chauffage au bois a un taux de combustion minimum réglé à la fabrication, et qui ne peut être modifié. La modification de ce réglage ou une utilisation autre de ce chauffage au bois qui ne respecterait pas les directives du présent manuel contrevient aux réglementations fédérales.

ATTENTION: Ne modifiez jamais le registre à coulisse ou la plage de réglage afin d'augmenter la combustion pour quelque raison que ce soit. Le faire peut entraîner des dommages de l'appareil de chauffage et annulera votre garantie.

### **LES PREMIERS FEUX**

La peinture fraîche de votre poêle a besoin d'être cuite pour préserver sa qualité. Une fois que le combustible est correctement allumé, faites uniquement brûler de petits feux dans votre poêle lors des quatre premières heures de fonctionnement. N'ouvrez jamais la commande d'air plus que nécessaire afin d'obtenir une vitesse de combustion moyenne. Assurez-vous que la circulation d'air soit suffisante lors du traitement du poêle. Les odeurs pourront s'échapper lors des 3 ou 4 premiers feux. Ne démarrez jamais votre poêle à l'extérieur. Vous ne serez pas en mesure de constater si vous surchauffez.

### **ALLUMAGE**

La méthode descendante de préparation d'un feu est recommandée pour cet appareil. Après vous être assuré que les contrôles de prise d'air du poêle sont entièrement ouverts (complètement tirés vers vous), placez les plus grosses pièces de bois au bas en parallèle, et assez près l'une de l'autre. Les secondes pièces sont placées en une seconde couche, en travers aux premières. Une troisième couche de plus petites pièces est déposée en travers de la seconde, cette fois avec un certain espace entre elles. Ensuite, déposer une quatrième couche de bois d'allumage et de papier journal chiffonné sur le dessus de la pile. Lorsque vous avez obtenu un bon lit de braises chaudes, nous recommandons les procédures de chauffage suivantes:

Vitesse de combustion	Réglez le registre à partir de la position complètement fermée		Temps de combustion	Vitesse de la soufflante
Faible	Entièrement fermé		@ 30 minutes	Faible
Moyenne - Faible	Environ. 11/16 "ouvert		@ 30 minutes	Faible
Moyenne - Élevée	Environ. 1-7 / 16 "ouvert		@ 30 minutes	Faible
Élevée	Entièrement ouvert env. 2-18 "de fermé		Toutes les minutes	Élevée

### **CHAUFFAGE**

Une combustion maîtrisée est la technique la plus efficace de chauffage au bois car elle vous permet de sélectionner le type de combustion que vous souhaitez pour chaque situation donnée. Le bois brûlera lentement si la commande d'admission d'air du poêle à bois est réglée pour réduire l'approvisionnement en oxygène dans la chambre de combustion au minimum. D'autre part, le bois brûlera rapidement si la commande d'air est réglée pour laisser une plus grande quantité d'oxygène dans la chambre de combustion. La commande d'admission d'air de votre poêle est très simple. Si vous la tirez complètement vers vous, elle est complètement ouverte. Si vous la poussez jusqu'à ce qu'elle s'arrête, l'air de combustion est réduit au minimum. Les conditions de fonctionnement réelles peuvent donner des résultats très différents de ceux obtenus lors des tests selon les espèces de bois utilisées, leur humidité, la taille et la densité des pièces, la longueur de la cheminée, l'altitude et la température extérieure.

## **EFFICACITÉ**

L'efficacité peut être basée sur le pouvoir calorifique inférieur (PCI) ou le pouvoir calorifique supérieur (PCS) du combustible. Le pouvoir calorifique inférieur, c'est lorsque l'eau quitte le processus de combustion sous forme de vapeur, dans le cas des poêles à bois, l'humidité dans le bois brûlé quitte le poêle sous forme de vapeur. Le pouvoir calorifique supérieur, c'est lorsque l'eau quitte le processus de combustion sous forme entièrement condensée. Dans le cas des poêles à bois, ceci voudrait dire que les gaz d'évacuation sont à la température de la pièce en quittant le système, et donc, les calculs utilisant cette valeur de chaleur tiennent compte de l'élévation de la chaleur dans la cheminée comme une perte d'énergie. Ainsi, l'efficacité calculée en utilisant le pouvoir calorifique inférieur du bois sera plus élevée que celle calculée en utilisant le pouvoir calorifique supérieur. Aux États-Unis, toutes les efficacités des poêles à bois devraient être calculées par le pouvoir calorifique supérieur. La meilleure façon d'atteindre des efficacités optimales est d'apprendre les caractéristiques de brûlage de votre appareil et du bois bien séché. Des taux de combustion plus élevés ne sont pas toujours les meilleurs taux de combustion; après qu'un bon feu est établi, un taux de combustion plus bas peut être la meilleure option pour un chauffage efficace. Un taux de combustion plus bas ralentit la sortie du flux de chaleur utilisable hors de la maison par la cheminée, et il consomme également moins de bois.

## **FUMÉE VISIBLE**

La quantité visible de fumée produite peut être une méthode efficace pour déterminer comment le processus de combustion s'établit efficacement aux réglages donnés. La fumée visible est composée de combustible non brûlé et de l'humidité s'échappant de votre poêle. Apprenez comment ajuster les réglages d'air de votre unité afin de produire la plus petite quantité de fumée visible. Le bois incorrectement séché a une teneur élevée en humidité et produira un excès de fumée visible et un mauvais brûlage.

### **AVERTISSEMENTS**

- NE SURCHAUFFEZ PAS VOTRE POÊLE. SI UNE PARTIE DU POÊLE COMMENCE À ROUGIR, UNE SURCHAUFFE SE PRODUIT. RÉAJUSTEZ LA COMMANDE D'ADMISSION D'AIR AU NIVEAU DE RÉGLAGE LE PLUS BAS.
- L'INSTALLATION D'UN PORTE-BÛCHE OU DE GRILLES DANS VOTRE POÊLE À BOIS N'EST PAS RECOMMANDÉE. CRÉEZ LE FOYER DIRECTEMENT SUR LES BRIQUES RÉFRACTAIRES.
- NE METTEZ JAMAIS DE BOIS AU-DESSUS DU REVÊTEMENT EN BRIQUES RÉFRACTAIRES DU FOYER.
- TENTER D'ATTEINDRE UN TAUX DE PUISSANCE CALORIFIQUE DÉPASSANT LES SPÉCIFICATIONS DE CONCEPTION DU CHAUFFAGE PEUT LUI CAUSER DES DOMMAGES PERMANENTS, AINSI QU'AU CATALYSEUR DE POSTCOMBUSTION S'IL EST PRÉSENT.

## **RECHARGEMENT**

Une fois que vous avez obtenu un bon lit de braises, vous devrez recharger l'unité. Pour ce faire, ouvrez les commandes d'air au maximum pendant quelques secondes avant d'ouvrir la porte du poêle. Puis continuez en ouvrant la porte très lentement ; ouvrez d'un ou deux pouces pendant 5 à 10 secondes, avant de l'ouvrir complètement pour augmenter le tirage et éliminer ainsi les fumées qui sont stagnantes dans un état de combustion lente à l'intérieur du poêle. Amenez ensuite les braises vers l'avant du poêle et rechargez l'unité. Pour un fonctionnement optimal de votre poêle à bois, nous vous recommandons de le faire fonctionner avec une charge de bois approximativement égale à la hauteur des briques réfractaires. Il est important de remarquer que la combustion du bois consomme l'oxygène présent dans la pièce. En cas de pression négative, il est bon de laisser de l'air frais entrer dans la pièce, soit en ouvrant légèrement une fenêtre soit en installant un système d'aspiration d'air frais sur un mur extérieur.

## **CRÉOSOTE - FORMATION ET BESOIN DE RETRAIT**

Quand du bois brûle lentement, cela produit du goudron et d'autres vapeurs organiques, qui se combinent avec l'humidité expulsée pour former de la créosote. Les vapeurs de créosote se condensent dans le conduit de fumée relativement froid d'un feu qui se consume lentement. Il en résulte que des résidus de créosote s'accumulent dans l'intérieur de la conduite. Une fois allumée, cette créosote crée un feu extrêmement chaud. Lorsque vous brûlez du bois, le raccord de cheminée et la cheminée devront être inspectés au moins une fois tous les deux mois durant la saison de chauffage afin de déterminer si une accumulation de créosote s'est produite. Si de la créosote s'est accumulée, elle devra être retirée afin de réduire le risque d'incendie dans la cheminée. Nous recommandons fortement que vous installiez un thermomètre magnétique sur le tuyau d'aspiration des fumées, à environ 18" au-dessus du poêle. Ce thermomètre indiquera la température des fumées d'évacuation de vos gaz dans le système d'aspiration des fumées. La température idéale de ces gaz est comprise approximativement entre 275 °F et 500 °F. En deçà de ces températures, l'accumulation de créosote est favorisée. Au-dessus de 500 degrés, la chaleur est gaspillée car une quantité trop importante est perdue dans l'atmosphère.

## **POUR PRÉVENIR LA FORMATION DE CRÉOSOTE**

- Brûlez toujours du bois sec. Cela permet des combustions propres et des températures de cheminée supérieures, et par conséquent moins de dépôt de créosote.
- Laissez la commande d'air complètement ouverte pendant environ 5 minutes à chaque fois que vous rechargez le poêle pour le ramener aux bonnes températures de fonctionnement. La combustion secondaire peut seulement avoir lieu si le foyer est suffisamment chaud.
- Vérifiez toujours le dépôt de créosote une fois tous les deux mois et faites nettoyer votre cheminée au moins une fois par an.

Si un feu de cheminée ou de créosote se produit, fermez immédiatement tous les registres. Attendez que le feu s'éteigne et que l'appareil de chauffage refroidisse, puis inspectez les dommages de la cheminée. S'il n'y a aucun dommage, effectuez le nettoyage de la cheminée pour garantir qu'il n'y ait pas de dépôts de créosote qui soient restés dans la cheminée.

## **ÉLIMINATION DES CENDRES**

Les cendres devront être éliminées du poêle plusieurs fois par semaine ou quand la couche de cendres atteint 2 ou 3 pouces. Videz toujours le poêle quand il est froid, en matinée par exemple. Éliminez toujours les cendres dans un conteneur métallique ayant un couvercle d'ajustement serré. Placez ce conteneur sur une surface incombustible ou sur le sol, bien à l'écart des matières combustibles, en attendant leur élimination finale. Si des cendres sont éliminées par enfouissement dans le sol ou autrement réparties localement, elles devront être retenues dans un conteneur fermé jusqu'à ce que toutes les cendres aient complètement refroidies. N'utilisez pas le conteneur pour cendres pour y jeter d'autres déchets.

### **AVERTISSEMENTS:**

- LES CENDRES PEUVENT CONTENIR DES BRAISES MÊME APRÈS DEUX JOURS SANS FONCTIONNEMENT DU POÊLE.
- LE PLATEAU DE CENDRE PEUT DEVENIR TRÈS CHAUD. PORTEZ DES GANTS POUR ÉVITER TOUTE BLESSURE.
- NE FAITES JAMAIS FONCTIONNER LE POÊLE AVEC LA TRAPPE DES CENDRES OUVERTE. CELA PEUT ENTRAÎNER UNE SURCHAUFFE DU POÊLE. DES DOMMAGES AU NIVEAU DU POÊLE VOIRE UN INCENDIE DU DOMICILE POURRAIENT AVOIR LIEU.

## **DÉTECTEURS DE FUMÉE ET DE CO**

Le brûlage du bois produit naturellement des émissions de fumée et du monoxyde de carbone (CO). Le CO est un gaz poison lorsque l'exposition se fait à des concentrations élevées pour une période de temps prolongée. Bien que les systèmes de combustion modernes des chauffages réduisent de façon importante la quantité de CO émis par la cheminée, l'exposition aux gaz dans des endroits fermés ou clos peut être dangereuse. Assurez-vous que les joints d'étanchéité de votre poêle et les joints de la cheminée soient en bon état et qu'ils scellent correctement, évitant les expositions indésirables. Il est recommandé que vous utilisiez des détecteurs de fumée et de CO dans les zones où se trouve un potentiel de génération de CO.

# Entretien

Votre poêle à bois est un poêle de haute efficacité et il ne nécessite par conséquent que peu d'entretien. Il est important de réaliser une inspection visuelle du poêle à chaque fois qu'il est vidé, afin de s'assurer qu'aucune pièce n'ait été endommagée, si c'est le cas, des réparations devront être effectuées immédiatement. Inspectez et nettoyez périodiquement la cheminée et le tuyau de raccord de l'accumulation de créosote ou d'obstructions.

## **VITRE**

- Inspectez régulièrement la vitre afin de détecter toute fissure. Si vous en repérez une, éteignez immédiatement le poêle. Ne maltraitez pas la porte vitrée en la fermant violemment ou en la claquant. N'utilisez pas le poêle si la vitre est cassée.
- Si la vitre de votre poêle se brise, remplacez-la uniquement par une vitre fournie par votre vendeur d'appareils de chauffage. Ne substituez jamais la vitre avec d'autres matières.
- Pour remplacer la vitre, retirez les vis qui retiennent les moulures de la vitre à l'intérieur de la porte. Retirez les moulures et remplacez la pièce endommagée par une neuve. Effectuez la procédure en sens inverse après remplacement. Lors du remplacement de la vitre, vous devrez changer le joint de la vitre pour vous assurer qu'elle soit bien étanche.
- Ne lavez jamais la vitre avec un produit qui pourrait la rayer. Utilisez un produit spécialisé, disponible dans les magasins qui vendent les poêles à bois. La vitre doit être nettoyée uniquement lorsqu'elle est froide.

## **JOINTS**

La porte de cette unité utilise un joint de corde de 5/8" de diamètre. Il est recommandé de changer le joint de la porte (qui rend la porte de votre poêle étanche) une fois par an, afin de vous assurer du bon contrôle de la combustion, de l'efficacité maximale et de la sécurité. Pour changer le joint de la porte, retirez simplement celui qui est endommagé. Nettoyez avec précaution la rainure du joint disponible, appliquez de la silicone haute température vendue à cet effet, et installez le nouveau joint. Vous pouvez allumer de nouveau votre poêle environ 24 heures après avoir terminé entièrement cette opération.

### **AVERTISSEMENT:**

NE FAITES JAMAIS FONCTIONNER LE POÊLE SANS JOINT OU AVEC UN JOINT ROMPU. DES DOMMAGES AU NIVEAU DU POÊLE VOIRE UN INCENDIE DU DOMICILE POURRAIENT AVOIR LIEU.

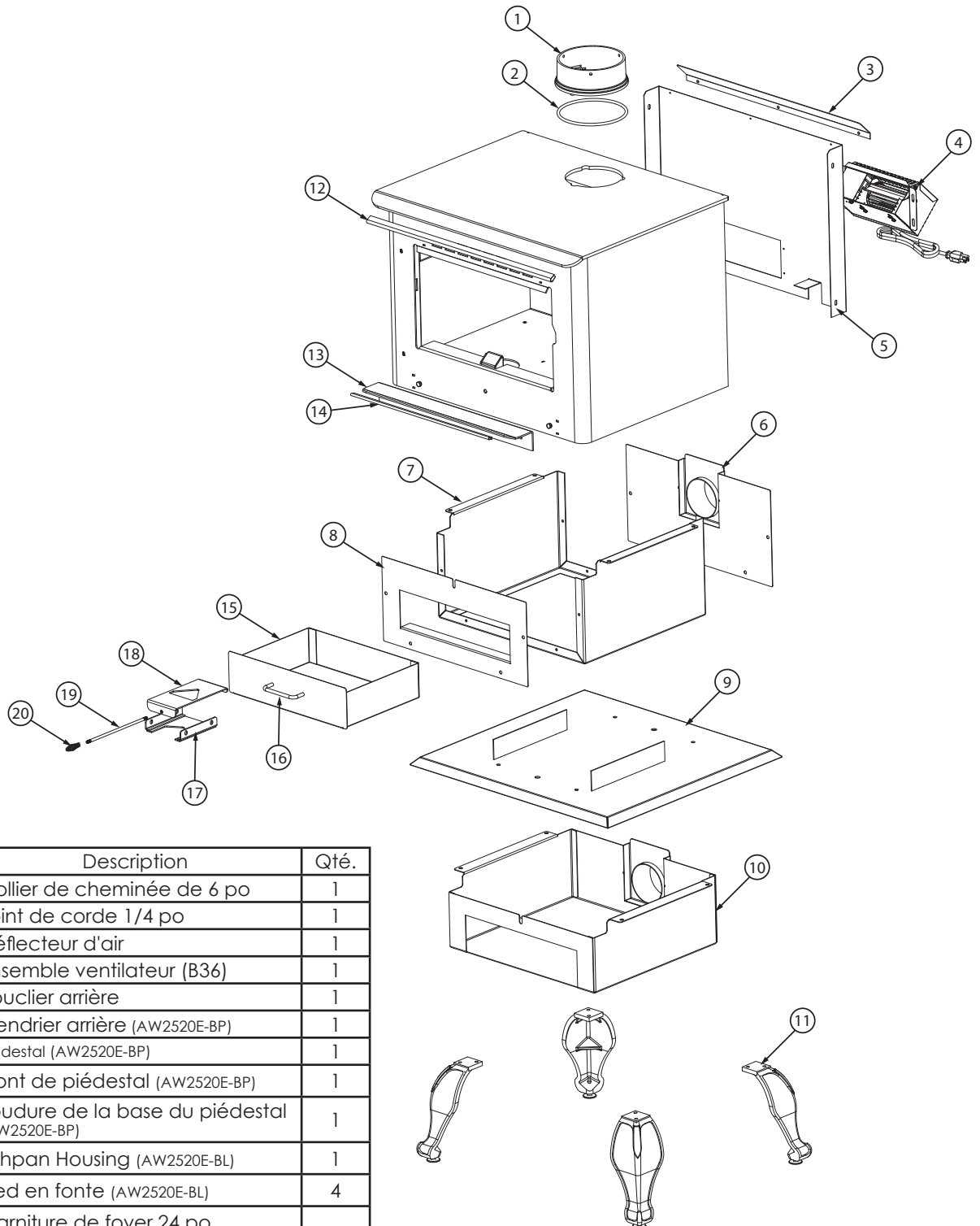
## **PEINTURE**

Nettoyez uniquement votre poêle avec un chiffon doux sec qui n'endommagera pas la finition peinte. Si la peinture se raie ou est endommagée, il est possible de redonner à votre poêle son apparence neuve, en le peignant avec une peinture résistante à des températures de 1200 °F. Pour ce faire, décapez simplement la surface à repeindre avec un papier abrasif fin, nettoyez-le correctement et appliquez (2) fines couches de peinture successives.

## **CONDUITS D'AIR**

Les conduits d'air assemblés dans cette unité sont conçus pour offrir un mélange précis d'air secondaire et assurer une plus grande efficacité. Tout dommage ou détérioration de ces conduits peuvent réduire l'efficacité de la combustion. Les conduits d'air sont maintenus en position par des vis ou par des goupilles de blocage. Localisez et enlevez-les des deux côtés du conduit pour le retirer et le remettre en place.

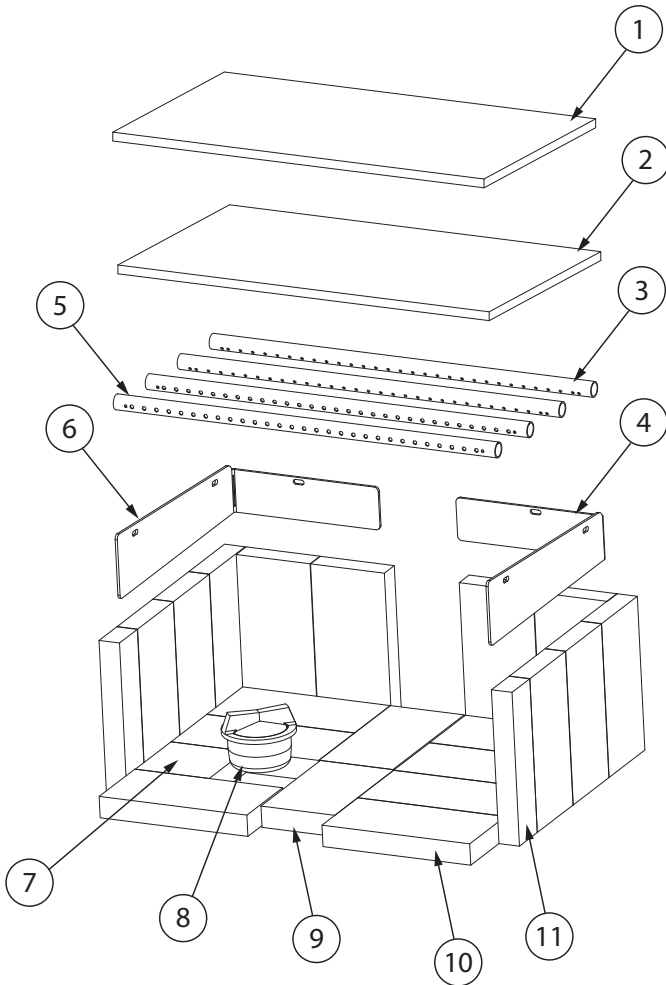
# Pièces De Rechange



Clé	Partie	Description	Qté.
1	40292A	Collier de cheminée de 6 po	1
2	88042	Joint de corde 1/4 po	1
3	25845	Défecteur d'air	1
4	891492	Ensemble ventilateur (B36)	1
5	26060	Bouclier arrière	1
6	610926	Cendrier arrière (AW2520E-BP)	1
7	29243	Piédestal (AW2520E-BP)	1
8	29065	Front de piédestal (AW2520E-BP)	1
9	610969	Soudure de la base du piédestal (AW2520E-BP)	1
10	610968	Ashpan Housing (AW2520E-BL)	1
11	40566	Pied en fonte (AW2520E-BL)	4
12	891496	Garniture de foyer 24 po	
13	25826	Plaque de foyer	1
14	891495	Garniture de foyer 18 po	1
15	29071	Cendrier	1
16	891137	Poignée en nickel brossé	1
17	610066	Soudure de retenue de glissière	1
18	610068	Soudure de glissière d'amortisseur	1
19	86954	Tige amortisseur	1
20	891331	Poignée à ressort - Nickel brossé	1

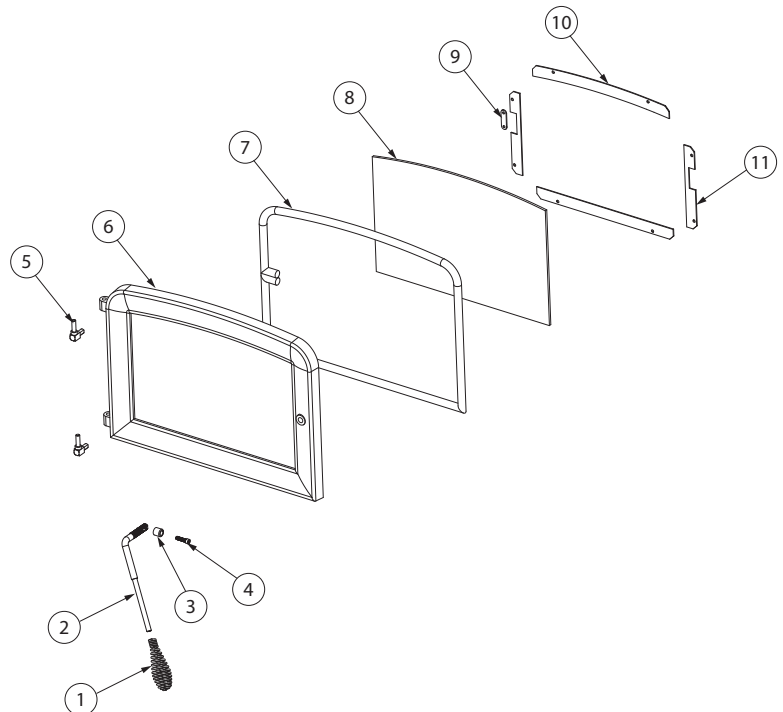
POUR CONSERVER LA COUVERTURE DE LA GARANTIE, LES COMPOSANTS DOIVENT ÊTRE REMPLACÉS PAR DES PIÈCES D'ORIGINE DU FABRICANT ACHETÉS AUPRÈS DE VOTRE DÉPOSITAIRE OU DIRECTEMENT AUPRÈS DU FABRICANT DE L'APPAREIL. L'UTILISATION DE COMPOSANTS DE TIERS ANNULE LA GARANTIE.

# Pièces De Rechange



Clé	Partie	Description	Qté.
1	88325	Couverture en laine Kao	1
2	88138	Panneau de fibres de céramique	1
3	86643	Tube à air secondaire (Ø5 / 32)	2
4	29247	Panneau de brique droit	
5	86645	Tube à air secondaire (Ø7 / 32)	2
6	29248	Panneau de brique gauche	1
7	24103A	Demi pierre ponce brique réfractaire (4-1 / 2 x 4-1 / 2)	1
8	40561	Bouchon de cendre	1
9	891530A	Brique réfractaire (4,5 x 7,5 x 1,25)	1
10	89066A	Pierre ponce brique réfractaire (4-1 / 2 x 9)	18
11	891414A	Demi brique réfractaire	2

Clé	Partie	Description	Qté.
1	891167	Poignée de printemps	1
2	893164	Poignée de porte	1
3	893062	Manchon à rouleau	1
4	83788	Vis à tête creuse	1
5	891373	Patin de charnière de porte (fileté)	2
6	40882	Lg Porte Arquée	1
7	88066	Joint de corde 5/8 po	1
8	892204	Verre	1
9	26314	Joint de serrage	1
10	29164	Pince de verre inférieure	2
11	29166	Pince de verre latérale	2



POUR CONSERVER LA COUVERTURE DE LA GARANTIE, LES COMPOSANTS DOIVENT ÊTRE REMPLACÉS PAR DES PIÈCES D'ORIGINE DU FABRICANT ACHETÉS AUPRÈS DE VOTRE DÉPOSITAIRE OU DIRECTEMENT AUPRÈS DU FABRICANT DE L'APPAREIL. L'UTILISATION DE COMPOSANTS DE TIERS ANNULE LA GARANTIE.

# Enregistrement De Service

Il est recommandé que votre système de chauffage est desservi régulièrement et que le Service Interval enregistrement approprié est terminée.

## FOURNISSEUR DE SERVICES

Avant de terminer l'enregistrement de service approprié ci-dessous, s'il vous plaît vous assurer que vous avez effectué le service tel que décrit dans le les instructions du fabricant. Toujours utiliser pièce de rechange indiquée par le fabricant lors de remplacement est nécessaire.

**Service de 01** Date: \_\_\_\_\_

Nom de l'ingénieur: \_\_\_\_\_

N° de licence.: \_\_\_\_\_

Compagnie: \_\_\_\_\_

N° de téléphone: \_\_\_\_\_

Poêle Inspecté:  Cheminée balayée:

Articles Remplacé: \_\_\_\_\_

**Service de 02** Date: \_\_\_\_\_

Nom de l'ingénieur: \_\_\_\_\_

N° de licence.: \_\_\_\_\_

Compagnie: \_\_\_\_\_

N° de téléphone: \_\_\_\_\_

Poêle Inspecté:  Cheminée balayée:

Articles Remplacé: \_\_\_\_\_

**Service de 03** Date: \_\_\_\_\_

Nom de l'ingénieur: \_\_\_\_\_

N° de licence.: \_\_\_\_\_

Compagnie: \_\_\_\_\_

N° de téléphone: \_\_\_\_\_

Poêle Inspecté:  Cheminée balayée:

Articles Remplacé: \_\_\_\_\_

**Service de 04** Date: \_\_\_\_\_

Nom de l'ingénieur: \_\_\_\_\_

N° de licence.: \_\_\_\_\_

Compagnie: \_\_\_\_\_

N° de téléphone: \_\_\_\_\_

Poêle Inspecté:  Cheminée balayée:

Articles Remplacé: \_\_\_\_\_

**Service de 05** Date: \_\_\_\_\_

Nom de l'ingénieur: \_\_\_\_\_

N° de licence.: \_\_\_\_\_

Compagnie: \_\_\_\_\_

N° de téléphone: \_\_\_\_\_

Poêle Inspecté:  Cheminée balayée:

Articles Remplacé: \_\_\_\_\_

**Service de 06** Date: \_\_\_\_\_

Nom de l'ingénieur: \_\_\_\_\_

N° de licence.: \_\_\_\_\_

Compagnie: \_\_\_\_\_

N° de téléphone: \_\_\_\_\_

Poêle Inspecté:  Cheminée balayée:

Articles Remplacé: \_\_\_\_\_

**Service de 07** Date: \_\_\_\_\_

Nom de l'ingénieur: \_\_\_\_\_

N° de licence.: \_\_\_\_\_

Compagnie: \_\_\_\_\_

N° de téléphone: \_\_\_\_\_

Poêle Inspecté:  Cheminée balayée:

Articles Remplacé: \_\_\_\_\_

**Service de 08** Date: \_\_\_\_\_

Nom de l'ingénieur: \_\_\_\_\_

N° de licence.: \_\_\_\_\_

Compagnie: \_\_\_\_\_

N° de téléphone: \_\_\_\_\_

Poêle Inspecté:  Cheminée balayée:

Articles Remplacé: \_\_\_\_\_