

# **VEVOR<sup>®</sup>**

## **TOUGH TOOLS, HALF PRICE**

Technical Support and E-Warranty Certificate [www.vevor.com/support](http://www.vevor.com/support)

## **AIR HOSE REEL**

We continue to be committed to provide you tools with competitive price.

"Save Half", "Half Price" or any other similar expressions used by us only represents an estimate of savings you might benefit from buying certain tools with us compared to the major top brands and does not necessarily mean to cover all categories of tools offered by us. You are kindly reminded to verify carefully when you are placing an order with us if you are actually Saving Half in comparison with the top major brands.



# VEVOR®

TOUGH TOOLS, HALF PRICE

AIR HOSE REEL

MODEL: NWA-J15



## NEED HELP? CONTACT US!




Have product questions? Need technical support? Please feel free to contact us:

**Technical Support and E-Warranty Certificate**  
**[www.vevor.com/support](http://www.vevor.com/support)**

This is the original instruction, please read all manual instructions carefully before operating. VEVOR reserves a clear interpretation of our user manual. The appearance of the product shall be subject to the product you received. Please forgive us that we won't inform you again if there are any technology or software updates on our product.

## PARAMETER

Model	Hose Length	Hose Diameter	Fitting	Product Max pressure	Type of Hose
NWA-J15	50ft/15.24m	3/8"	1/4"BSP	150psi/10.34bar	HYBRID HOSE

	<p><b>WARNING</b></p> <ul style="list-style-type: none"> <li>● Read the manual carefully before use</li> <li>● Not intended for use by children</li> </ul>
	<p><b>Please retain instructions for future reference</b></p> <p>Protect yourself and others by observing all safety information, warnings and cautions. Failure to comply with instructions could result in personal injury and/or damage to product property.</p>
<b>SAFETY</b>	<p><b>WARNING!</b> Read and understand all instructions before using this tool. The operator must follow basic precautions to reduce the risk of personal injury and/or damage to the equipment.</p> <p>Keep this manual for safety warnings, precautions, operating or inspection and maintenance instructions.</p> <p>Please familiarize yourself with the hazard notices found in this manual. A notice is an alert that there is a possibility of property damage, injury or death if certain instructions are not followed.</p> <p><b>DANGER!</b> This notice indicates an immediate and specific hazard that will result in severe personal injury or death if the proper precautions are not taken.</p> <p><b>WARNING!</b> This notice indicates a specific hazard or unsafe practice that could result in severe personal injury or death if the proper precautions are not taken.</p> <p><b>CAUTION!</b> This notice indicates a potentially hazardous situation that may result in minor or moderate injury if proper practices are not taken.</p> <p><b>NOTICE!</b> This notice indicates that a specific hazard or unsafe practice will result in equipment or property damage, but not personal injury.</p>
	<p>WEEE symbol. Waste electrical products should not be disposed of with household waste. Please recycle where facilities exist.</p> <p>Check with your Local Authority or local store for recycling advice.</p>

## WORK AREA

1. Operate in a safe work environment. Keep your work area clean, well-lit and free of distractions.
2. Keep anyone not wearing the appropriate safety equipment away from the work area.
3. Store unused tools properly in a safe and dry location to prevent rust or damage. Lock tools away and keep out of the reach of children.

## PERSONAL SAFETY

**WARNING!** Wear personal protective equipment approved by the Canadian Standards Association (CSA) or American National Standards Institute (ANSI).

## PERSONAL PROTECTIVE EQUIPMENT

1. Always wear impact safety goggles that provide front and side protection for the eyes. Eye protection equipment should comply with CSAZ94.3-07 or ANSI Z87.1 standards based on the type of work performed.
2. Wear gloves that provide protection based on the work materials or to reduce the effects of tool vibration.
3. Wear protective clothing designed for the work environment and tool.
4. Non-skid footwear is recommended to maintain footing and balance in the work environment.

## PERSONAL PRECAUTIONS

Control the tool, personal movement and the work environment to avoid personal injury or damage to tool.

1. Do not operate any tool when tired or under the influence of drugs, alcohol or medications.
2. Avoid wearing clothes or jewelry that can become entangled with the moving parts of a tool. Keep long hair covered or bound.

## SPECIFIC SAFETY PRECAUTIONS

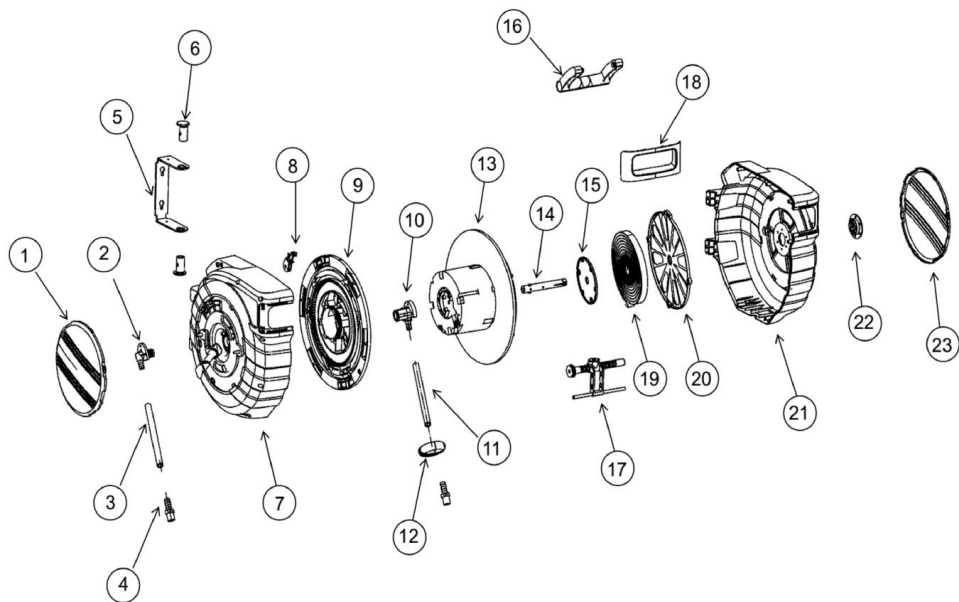
1. Use the correct tool for the job. This tool was designed for a specific function. Do not modify or alter this tool or use it for an unintended purpose.
2. Ensure that the reel is properly installed before connecting the input and output air hoses.
3. Remove system pressure immediately if a leak occurs in the hose or reel, or if the reel ceases to wind and unwind.
4. Release the hose slowly and control it as it retracts.

**WARNING!** DO NOT let comfort or familiarity with product (gained from repeated use) replace strict adherence to the tool safety rules. If you use this tool unsafely or incorrectly, you can suffer serious personal injury.

**WARNING!** Direct exposure of pressurized air or fluids to skin could result in severe bodily injury.

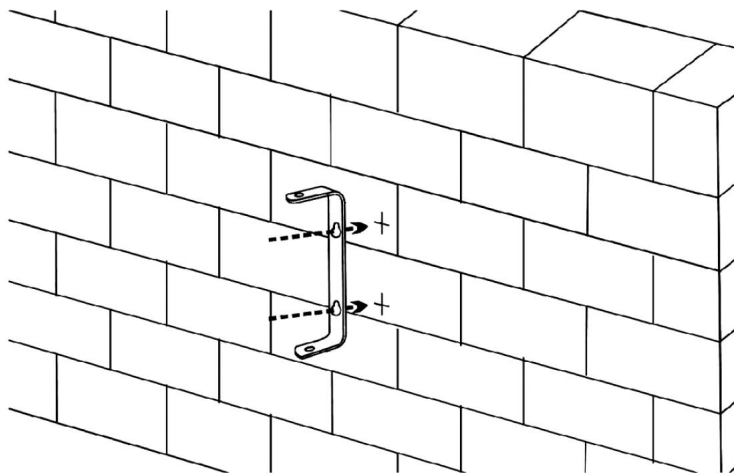
## EXPLOSIVE VIEW

1.Right panel	12.Hose stopper
2.nlet hose connector	13.Left drum
3.nlet hose	14.Central shaft
4 Fitting	15.Drum cover
5.Wall bracket	16.Handle
6.Bracket holder	17.Hose guider
7.Right housing	18.Face panel
8.Lock pin	19.Spring
9.Right drum	20.Spring cover
10.Outlet hose connector	21.Left housing
11.Outlet hose	22.Pre-tension screw
	23.Left panel

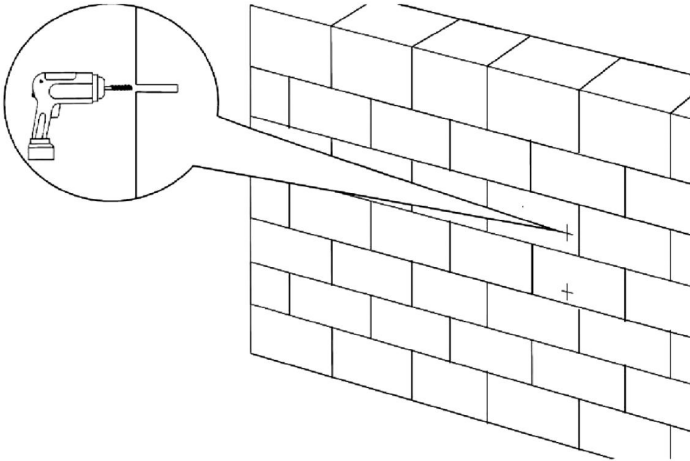


## INSTALLATION

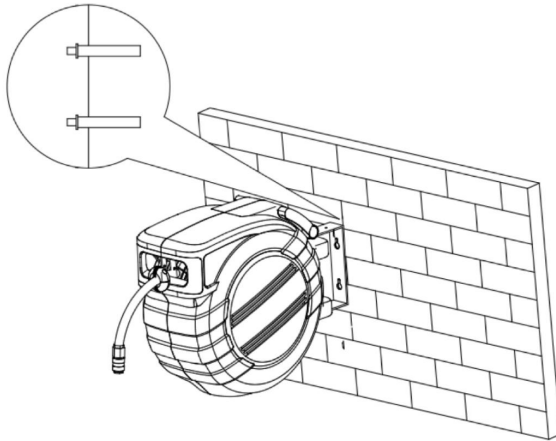
1. Choose a suitable position on your wall. Mark 2 holes to correspond with the positions of the holes in the wall bracket.



2. Drill 2 holes, ensure the holes size is suitable for the expansion screw included.



3. Insert the expansion screw into the wall. Use a wrench to fix the bracket onto the wall with the bolts provided.



## OPERATING INSTRUCTIONS

This reel is fitted with track lock wheel and detent design. Very easy to extend and retract the hose. When pull out the hose, you can latch the hose at any length. When you want to retract the hose please pull out the hose about 3-5cm more, then it will retract automatically. During retraction, please hold the hose and follow the retraction until it finishes. When the hose twist, it is necessary to extend the

hose to full length then allow retracting, so as to smooth the hose, let it evenly retract back to the hose.

Attention: Please hold the hose and follow the retraction until it finishes, potential dangerous will occur to bystander if you let the hose goes back to the case by itself.

## CARE AND MAINTENANCE

1. Always keeps the Hose clean after use.
2. It is recommended to turn off air before retracting the hose.
3. When not in use for long period, it is advisable to store your hose reel in a covered area.

## DISPOSAL

This products should be disposed of in accordance with local regulations If you are unsure how to proceed, contact your local authority.



Lock / to tighten or secure.



Lock / to tighten or secure.



Note / Remark.



Caution / Warning.



Read the instruction manual.



Wear hearing protection.



Wear eye protection.



Wear a dust mask.



Wear protective gloves.  
footwear.



Wear protective, slip-resistant

**Manufacturer:** Shanghaimuxinmuyeyouxiangongsi

**Address:** Shuangchenglu 803nong11hao1602A-1609shi, baoshanqu, shanghai 200000 CN.

**Imported to AUS:** SIHAO PTY LTD. 1 ROKEVA STREETEASTWOOD NSW 2122 Australia

**Imported to USA:** Sanven Technology Ltd. Suite 250, 9166 Anaheim Place, Rancho Cucamonga, CA 91730

<b>EC</b>	<b>REP</b>
-----------	------------

E-CrossStu GmbH  
Mainzer Landstr.69, 60329 Frankfurt am Main.

<b>UK</b>	<b>REP</b>
-----------	------------

YH CONSULTING LIMITED.  
C/O YH Consulting Limited Office 147, Centurion House,  
London Road, Staines-upon-Thames, Surrey, TW18 4AX



**VEVOR<sup>®</sup>**

**TOUGH TOOLS, HALF PRICE**

**Technical Support and E-Warranty Certificate**

**[www.vevor.com/support](http://www.vevor.com/support)**