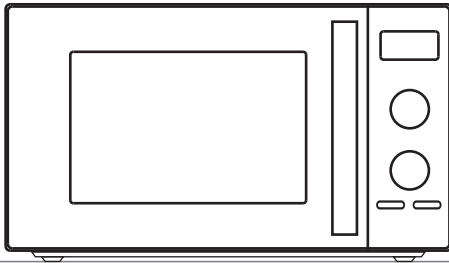


# **gorenje**



**MO20A3BH**

[www.gorenje.com](http://www.gorenje.com)



|  |     |
|--|-----|
| Instruction manual / Microwave oven<br><b>EN</b> .....         | 4   |
| Manual de utilizare/ Cuptor cu microunde<br><b>RO</b> .....    | 18  |
| Manual de instruções / Forno micro-ondas<br><b>PL</b> .....    | 32  |
| Használati útmutató / Mikrohullámú sütő<br><b>HU</b> .....     | 46  |
| Manual de instruções / Forno micro-ondas<br><b>PT</b> .....    | 60  |
| Manuale di istruzioni / Forno a microonde<br><b>IT</b> .....   | 74  |
| Upute za uporabu / mikrovalna pećnica<br><b>HR</b> .....       | 88  |
| Manuel d'instructions / Four à micro-ondes<br><b>FR</b> .....  | 102 |
| Bedienungsanleitung / Mikrowelle<br><b>DE</b> .....            | 116 |
| Návod k obsluze / Mikrovlnná trouba<br><b>CE</b> .....         | 130 |
| Инструкции за употреба / Микровълнова фурна<br><b>BG</b> ..... | 144 |

## DEAR CUSTOMER

We sincerely thank you for your purchase. We believe you will soon find ample evidence that you can really rely on our products. To make the use of the appliance easier, we attach these comprehensive instruction manual.

The instructions should aid you in getting familiar with your new appliance. Please, read them carefully before using the appliance for the first time.

In any case, please make sure the appliance was supplied to you undamaged. Should you identify and transport damage, contact your sales representative or the regional warehouse from where the product was delivered. You will find the telephone number on the receipt or delivery report.

We wish you a lot of pleasure with your new household appliance.



The appliance for household use for heating food and beverages using electromagnetic energy, for indoor use only.

## INSTRUCTIONS FOR USE

These instructions are intended for the user. They describe the cooker and how to use it. They also apply to different types of appliances, therefore you may find some descriptions of functions that may not apply to your appliance.

## IMPORTANT SAFETY INSTRUCTIONS



Never touch the surfaces of heating or cooking appliances. They will become hot during operation. Keep children at a safe distance. There is a risk of burning!



Microwave energy & High voltage!  
Do not remove the cover.

**WARNING!** The appliance and its accessible parts become hot during use. Care should be taken to avoid touching heating elements. Children less than 8 years of age shall be kept away unless continuously supervised. Children should be supervised to ensure that they do not play with the appliance.

This appliance can be used by children aged from 8 years and above and persons with reduced physical, sensory or mental capabilities or lack of experience and knowledge if they have been given supervision or instruction concerning use of the appliance in a safe way and understand the hazards involved. Children shall not play with the appliance. Cleaning and maintenance shall not be made by children unless they are older than 8 and supervised.

Keep the appliance and its cord out of reach of children less than 8 years.

- **WARNING:** When the appliance is operated in the combination mode, children should only use the oven under adult supervision due to the temperatures generated; (Only for the model with grill function)

- **WARNING:** If the door or door seals are damaged, the oven must not be operated until it has been repaired by a competent person;
- **WARNING:** It is hazardous for anyone other than a competent person to carry out any service or repair operation that involves the removal of a cover which gives protection against exposure to microwave energy;
- **WARNING:** liquids and other foods must not be heated in sealed containers since they are liable to explode.
- Children should be supervised to ensure that they do not play with the appliance.
- Don't remove oven's feet, do not block air vents of the oven.
- Only use utensils that are suitable for use in microwave ovens.
- When heating food in plastic or paper containers, keep an eye on the oven due to the possibility of ignition;
- If smoke is observed, switch off or unplug the appliance and keep the door closed in order to stifle any flames;
- Microwave heating of beverages can result in delayed eruptive boiling, therefore care must be taken when handling the container;
- The contents of feeding bottles and baby food jars shall be stirred or shaken and the temperature checked before consumption, in order to avoid burns;
- Eggs in their shell and whole hard-boiled eggs should not be heated in microwave ovens since they may explode, even after microwave heating has ended;

- When cleaning surfaces of door, door seal, cavity of the oven, use only mild, nonabrasive soaps, or detergents applied with a sponge or soft cloth.
- The oven should be cleaned regularly and any food deposits removed;
- Failure to maintain the oven in a clean condition could lead to deterioration of the surface that could adversely affect the life of the appliance and possibly result in a hazardous situation;
- If the supply cord is damaged, it must be replaced by the manufacturer, its service agent or similarly qualified persons in order to avoid a hazard.
- Do not let the cord hang over the edge of the table or worktop.
- Never connect this appliance to an external timer switch or remote control system in order to avoid a hazardous situation.
- Never replace the light bulb inside the oven. It must always be replaced by Gorenje service.
- Do not clean the appliance with steam cleaners, high-pressure cleaners, sharp objects, abrasive cleaning agents, and abrasive sponges and stain removers.

## SAFETY INSTRUCTIONS FOR GENERAL USE

Listed below are, as with all appliances, certain rules to follow and safeguards to assure top performance from this oven:

1. Always have the glass tray, roller arms, coupling and roller track in place when operating the oven.
2. Do not use the oven for any reason other than food preparation, such as for drying clothes, paper, or any other nonfood items, or for sterilizing purposes.
3. Do not operate the oven when empty. This could damage the oven.
4. Do not use the oven cavity for any type of storage, such as papers, cookbooks, etc.
5. Do not cook any food surrounded by a membrane, such as egg yolks, potatoes, chicken livers, etc without first being pierced several times with a fork.
6. Do not insert any object into the openings on the outer case.
7. Do not at any time remove parts from the oven such as the feet, coupling, screws, etc.
8. Do not cook food directly on the glass tray. Place food in/on proper cooking utensil before placing in the oven.

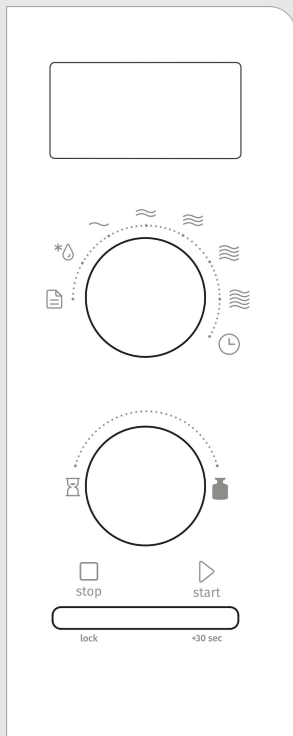
### **IMPORTANT - COOKWARE NOT TO USE IN YOUR MICROWAVE OVEN**

- Do not use metal pans or dishes with metal handles.
  - Do not use anything with metal trim.
  - Do not use paper covered wire twist-ties on plastic bags.
  - Do not use melamine dishes as they contain a material which will absorb microwave energy. This may cause the dishes to crack or char and will slow down the cooking speed.
  - Do not use Centura Tableware. The glaze is not suitable for microwave use. Corelle Livingware closed handle cups should not be used.
  - Do not cook in a container with a restricted opening, such as a pop bottle or sealed oil bottle, as they may explode if heated in a microwave oven.
  - Do not use conventional meat or candy thermometers.
  - There are the thermometers available specifically for microwave cooking. These may be used.
9. Microwave utensils should be used only in accordance with manufacturer's instructions.
  10. Do not attempt to deep-fry foods in this oven.
  11. Please remember that a microwave oven only heats the liquid in a container rather than the container itself.

Therefore, even though the lid of a container is not hot to the touch when removed from the oven, please remember that the food/liquid inside will be releasing the same amount of steam and/or spitting when the lid is removed as in conventional cooking.

12. Always test the temperature of cooked food yourself especially if you are heating or cooking food/liquid for babies. It is advisable never to consume food/liquid straight from the oven but allow it to stand for a few minutes and stir food/liquid to distribute heat evenly.
13. Food containing a mixture of fat and water, e.g. stock, should stand for 30-60 seconds in the oven after it has been turned off. This is to allow the mixture to settle and to prevent bubbling when a spoon is placed in the food/liquid or a stock cube is added.
14. When preparing/cooking food/liquid and remember that there are certain foods, e.g. Christmas puddings, jam and mincemeat, which heat up very quickly. When heating or cooking foods with a high fat or sugar content do not use plastic containers.
15. Cooking utensil may become hot because of heat transferred from the heated food. This is especially true if plastic wrap has been covering the top and handles of the utensil. Potholders may be needed to handle the utensil.
16. To reduce the risk of fire in the oven cavity:
  - a) Do not overcook food. Carefully attend microwave oven if paper, plastic, or other combustible materials are placed inside the oven to facilitate cooking.
  - b) Remove wire twist-ties from bags before placing bag in oven.
  - c) If materials inside the oven should ignite, keep oven door closed, turn the oven off at the wall switch, or shut off power at the fuse or circuit breaker panel.

# CONTROL PANEL



## DISPLAY UNIT

Displays the selected functions and time.

## KEYS

 stop/lock

 start/+30 sec

## ROTARY KNOB

 Automenu

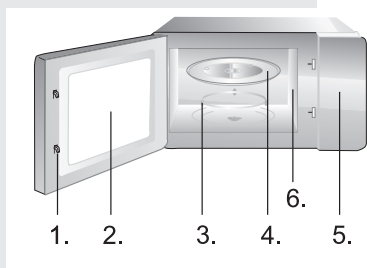
 Defrosting

 Microwaves

 Clock

 Time

 Weight



1. Door Safety Lock System
2. Oven Window
3. Roller Ring
4. Glass Tray
5. Control Panel
6. Wave guide (please do not remove the mica plate covering the wave guide)

# INSTRUCTIONS FOR USE

## 1. BEFORE COOKING

The display lit up when plugged in power supply, then enter the standby state and display shows 1:00.

## 2. MICROWAVE FUNCTION

There are five firepower levels, 100P, 80P, 50P, 30P and 10P, respectively. Turn the knob above to select the desired microwave power. Turn the knob below to select the cooking time, the time range that can be regulated is from 0:10 to 60:00. After select the time, press "START/+30s." button to start work. An buzzing sound to notify completion of the operation.

|               |                          |   |
|---------------|--------------------------|---|
| <b>HIGH</b>   | <b>100% power output</b> | (Applicable for quick and thorough cooking) |
| <b>M.High</b> | <b>80% power output</b>  | (Applicable for medium express cooking)     |
| <b>Med</b>    | <b>50% power output</b>  | (Applicable for steaming food)              |
| <b>M.Low</b>  | <b>30% power output</b>  | (Applicable for defrosting food)            |
| <b>LOW</b>    | <b>10% power output</b>  | (Applicable for keeping warm)               |

### NOTE:

- The max time which can be set is 60 minutes
- Never operate the oven empty.
- At the maximum microwave power, the oven will automatically lower the power after a certain time of cooking to lengthen the service life.
- If you turn the food during operation, press the START/+30s button once and the preset cooking procedure will continue.
- If you intend to remove the food before the preset time, you must press STOP/LOCK button once to clear the preset procedure to avoid unintended operation of next time use.

## 3. DEFROST

The defrost function is to defrost by weight, and corresponding to "dEF" display. Turn the knob above to select the defrost function and the "dEF" is displayed on the display screen. Turn the knob below to select the food weight, the weight range of dEF is from 100g to 1500g. After selecting the defrost weight, press the "START/+30s" button to start work. An buzzing sound to notify completion of the operation. The dEF defrost mode by weight will have a beeping sound to prompt the food to be turned over during defrosting.

Below is some food defrosting time advice:

|     |   |
|-----|---|
| dEF | For defrosting, the weight range is from 100g to 1500g. |
|-----|---|

**NOTE:**

- a. It is necessary to turn over the food during operation to obtain uniform effect.
- b. Usually defrosting will need longer time than that of cooking the food.
- c. If the food can be cut by knife, the defrosting process can be considered completed.
- d. Microwave penetrates around 4cm into most food
- e. Defrosted food should be consumed as soon as possible, it is not advised to put back to fridge and freeze again.

---

#### 4. CLOCK (24-hour clock)

Turn the knob above to select the clock function, press "START/+30s" button for more than 3 seconds to enter the clock setting interface. At the same time, the display screen blinks in hours. The hour time can be set by turning the knob below. After setting the hour, press the "START/+30s" button for a short time to switch to the setting minute mode. The minutes can be set by turning the knob below. After setting minutes, press the "START/+30s" button again to exit the setting mode.

---

#### 5. AUTO COOKING

There are eight automatic menus A.1-A.8, potato, pasta, pizza, popcorn, vegetable, beverage, meat and fish respectively. Press the knob above to select the menu function, then turn the knob below to select the desired menu, the display screen shows the corresponding A.1-A.8 of menu. After selecting the menu, press "START/+30s" button to start work. An buzzing sound to notify completion of the operation.

| Display | Kind      | Method                                    |
|---------|-----------|---|
| A.1     | Potato    | The optional weight is 500g               |
| A.2     | Pasta     | The optional weight is 100g               |
| A.3     | Pizza     | The optional weight is 400g               |
| A.4     | Popcorn   | The optional weight is 100g               |
| A.5     | Vegetable | The optional weight is 400g               |
| A.6     | Beverage  | The optional weight is 1 cup, about 250ml |
| A.7     | Meat      | The optional weight is 400g               |
| A.8     | Fish      | The optional weight is 400g               |

**NOTE:**

a.The temperature of food before cooking would be 20-25 C. Higher or lower temperature of the food before cooking would require increase or decrease of cooking time.

b.The temperature, weight and shape of food will largely influence the cooking effect. If any deviation has been found to the factor noted on above menu, you can adjust the cooking time for best result.

---

**6. STOP**

In the process of cooking settings, can press “STOP” button to cancel the settings and return to standby state. In the process of microwave oven working, can press “STOP” button to pause. In the standby state, can press “STOP” button again to cancel the function and return to standby state.

---

**7. START/+30s**

After setting the cooking time or food weight, press the “START/+30s” button to start the microwave oven immediately. In working state, can press “START/+30s” button to increase time, press one time to increase 30 seconds, but the menu mode and weight defrosting mode cannot adjust time. In pause state, can press “START/+30s” button to continue the microwave oven before cooking mode.

---

**8. CHILD LOCK FUNCTION**

Use this feature to lock the control panel when you are cleaning or so that children cannot use the oven unsupervised. All the buttons are rendered inoperable in this mode.

1. Set lock: In standby mode, press the “STOP” button for more than 3 seconds, the child lock function is locked, and all buttons of the microwave oven cannot be operated.
2. Cancel lock: In the child lock state, press the “STOP” button for more than 3 seconds to cancel the child lock function.

## CARE OF YOUR MICROWAVE OVEN

1. Turn the oven off and remove the power plug from the wall socket before cleaning.
2. Keep the inside of the oven clean. When food splatters of spilled liquids adhere to oven walls, wipe with a damp cloth. The use of harsh detergent or abrasives is not recommended.
3. The outside oven surface should be cleaned with a damp cloth. To prevent damage to the operating parts inside the oven, water should not be allowed to seep into the ventilation openings.
4. Do not allow the Control Panel to become wet. Clean with a soft, damp cloth. Do not use detergents, abrasives or spray-on cleaners on the control Panel.
5. If steam accumulates inside or around the outside of the oven door, wipe with a soft cloth. This may occur when the microwave oven is operated under high humidity conditions and in no way indicates malfunction of the unit.
6. It is occasionally necessary to remove the glass tray for cleaning. Wash the tray in warm sudsy water or in a dishwasher.
7. The roller ring and oven cavity floor should be cleaned regularly to avoid excessive noise. Simply wipe the bottom surface of the oven with mild detergent, water or window cleaner and dry. The roller ring may be washed in mild sudsy water or dishwasher. Cooking vapours collect during repeated use but in no way affect the bottom surface or roller ring wheels. When removing the roller ring from cavity floor for cleaning, be sure to replace it in the proper position.
8. Remove odors from your oven by combining a cup of water with the juice and skin of one lemon in a deep microwavable bowl. Microwave for 5 minutes, wipe thoroughly and dry with a soft cloth.

### ENVIRONMENT

Do not throw away the appliance with the normal household waste at the end of its life, but hand it in at an official collection point for recycling. By doing this, you help to preserve the environment.

# MOUNTING THE MICROWAVE OVEN

## INSTALLATION

1. Make sure all the packing materials are removed from the inside of the door.
2. Inspect the oven after unpacking for any visual damage such as:
  - Misaligned Door
  - Damaged Door
  - Dents or Holes in Door Window and Screen
  - Dents in Cavity

If any of the above are visible, DO NOT use the oven.

3. This Microwave Oven weighs **10,3 kg** and must be placed on a horizontal surface strong enough to support this weight.
4. The oven must be placed away from high temperature and steam.
5. DO NOT place anything on top of the oven.
6. Keep the oven at least 20 cm away from both sidewalls and 30 cm away from rear wall to ensure the correct ventilation.
7. DO NOT remove the turn -table drive shaft.
8. As with any appliance, close supervision is necessary when used by children.
9. Make sure that the AC outlet is easily accessible so that the plug can be removed quickly in an emergency. Otherwise, it should be possible to disconnect the device using a switch from the circuit. In this case, the existing provisions of the electrical safety standards are considered.  
The product has to be correctly installed on earthed socket with a single-phase AC (230 V/50 Hz).  
**WARNING! THIS APPLIANCE MUST BE EARTHED!**
10. This oven requires 1.3 KVA for its input consultation with service engineer is suggested when installing the oven.

**CAUTION: This oven is protected internally by a 250V, 8 Amp Fuse.**

## SPECIFICATIONS

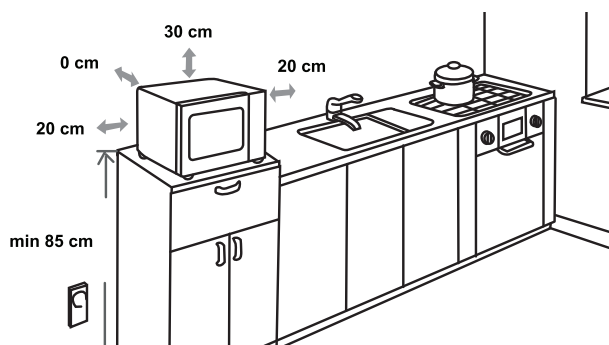
|                           |                                  |
|---------------------------|----------------------------------|
| Power consumption.....    | 220-240V-50Hz, 1280W             |
| Output power .....        | 800W                             |
| Operating Frequency ..... | 2450MHz                          |
| Outside Dimensions.....   | 454.5mm(W) x 261mm(H) x 353mm(D) |
| Oven Capacity .....       | 20 litres                        |
| Uncrated Weight .....     | Approx. 10,3 kg                  |
| Noise level.....          | Lc < 55 dB (A)                   |



**This appliance is marked according to the European directive 2012/19/EU on Waste Electrical and Electronic Equipment (WEEE).**

**This guideline is the frame of a European-wide validity of return and recycling on Waste Electrical and Electronic Equipment.**

## MOUNTING DIMENSIONS



## RADIO INTERFERENCE

Microwave oven may cause interference to your radio, TV, or similar equipment. When interference occurs, it may be eliminated or reduced by the following procedures.

- Clean the door and sealing surface of the oven.
- Place the radio, TV, etc. as far away from your microwave oven as possible.
- Use a properly installed antenna for your radio, TV, etc. to get a strong signal reception.

WE RESERVE THE RIGHT TO MAKE ANY CHANGES THAT DO NOT AFFECT THE FUNCTIONALITY OF THE APPLIANCE.

## BEFORE YOU CALL FOR SERVICE

1. If the oven will not perform at all, the information on the display does not appear or the display disappeared:
  - a) Check to ensure that the oven is plugged in securely. If it is not, remove the plug from the outlet, wait 10 seconds and plug it in again securely.
  - b) Check the premises for a blown circuit fuse or a tripped main circuit breaker. If these seem to be operating properly, test the outlet with another appliance.
2. If the microwave power will not function:
  - a) Check to see whether the timer is set.
  - b) Check to make sure that the door is securely closed to engage the safety interlocks. Otherwise, the microwave energy will not flow into the oven.

**If none of the above rectify the situation, then contact the nearest authorized service agent.**

**The appliance for household use for heating food and beverages using electromagnetic energy, for indoor use only.**

## GUARANTEE & SERVICE

If you need information or if you have a problem, please contact the Gorenje Customer Care Centre in your country (you find its phone number in the worldwide guarantee leaflet). If there is no Customer Care Centre in your country, go to your local Gorenje dealer or contact the Service department of Gorenje domestic appliances.

### **For personal use only!**

Additional recommendations for cooking with microwave and useful advices can be found on web side:

<http://www.gorenje.com>

**WISHES YOU A LOT OF PLEASURE WHILE USING YOUR APPLIANCE**

# gorenje

## STIMATE CLIENT

Vă mulțumim sincer pentru achiziție. Credem că veți găsi în curând dovezi ample că vă puteți baza cu adevărat pe produsele noastre. Pentru a facilita utilizarea aparatului, atașăm acest manual de utilizare cuprinzător.

Instrucțiunile vă vor ajuta să vă familiarizați cu noul aparat. Vă rugăm să le citiți cu atenție înainte de a utiliza aparatul pentru prima dată.

În orice caz, asigurați-vă că aparatul v-a fost furnizat intact. În cazul în care identificați deteriorări la transport, contactați reprezentantul de vânzări sau depozitul regional de unde a fost livrat produsul. Veți găsi numărul de telefon pe chitanță sau pe procesul-verbal de livrare.

Vă dorim să vă bucurați de noul aparat electrocasnic.



Aparat de uz casnic pentru încălzirea alimentelor și a băuturilor cu ajutorul energiei electromagnetice, numai pentru uz interior.

## INSTRUCȚIUNI DE UTILIZARE

Aceste instrucțiuni sunt destinate utilizatorului.

Acestea descriu dispozitivul și modul de utilizare. Acestea se aplică, de asemenea, diferitelor tipuri de aparate, prin urmare, puteți găsi unele descrieri ale funcțiilor care este posibil să nu se aplice aparatului dvs.



Nu atingeți niciodată suprafețele aparatelor de încălzire sau de gătit. Acestea se vor încălzi în timpul funcționării. Țineți copiii la o distanță sigură. Există riscul de arsuri!



Energia microundelor și înaltă tensiune!  
Nu scoateți capacul.

**AVERTIZARE!** Aparatul și piesele sale accesibile devin fierbinți în timpul utilizării. Trebuie să aveți grijă să evitați atingerea elementelor de încălzire. Copiii sub 8 ani trebuie ținuti la distanță dacă nu sunt supravegheați continuu. Copiii trebuie supravegheați pentru a vă asigura că nu se joacă cu aparatul.

Acest aparat poate fi utilizat de copii cu vârsta de peste 8 ani și de persoane cu capacități fizice, senzoriale sau mentale reduse sau lipsite de experiență și cunoștințe, dacă sunt supravegheate sau au fost instruite cu privire la utilizarea aparatului într-un mod sigur și înțeleg pericolele implicate. Nu permiteți copiilor să se joace cu aparatul. Curățarea și întreținerea nu trebuie efectuate de copii decât dacă au vârsta mai mare de 8 ani și sunt supravegheați.

Nu lăsați aparatul și cablul acestuia la îndemâna copiilor cu vârsta sub 8 ani.

- **AVERTIZARE:** Atunci când aparatul este utilizat în modul combinat, copiii trebuie să utilizeze cuptorul numai sub supravegherea unui adult, din cauza temperaturilor generate; (Numai pentru modelul cu funcție grill)

- **AVERTIZARE:** Dacă ușa sau garniturile ușii sunt deteriorate, cuptorul nu trebuie să funcționeze până când nu a fost reparat de o persoană competentă;
- **AVERTIZARE:** Este periculos pentru oricine altcineva în afară de o persoană competentă să efectueze orice operațiune de service sau de reparare care implică îndepărtarea unui capac care oferă protecție împotriva expunerii la energia cuptorului cu microunde;
- **AVERTIZARE:** lichidele și alte alimente nu trebuie încălzite în recipiente etanșe, întrucât există riscul de a exploda.
- Copiii trebuie supravegheați pentru a vă asigura că nu se joacă cu aparatul.
- Nu scoateți picioarele cuptorului, nu blocați fantele de aerisire ale cuptorului.
- Utilizați numai ustensile adecvate pentru utilizarea în cuptoarele cu microunde.
- Atunci când încălziți alimentele în recipiente din plastic sau hârtie, supravegheați cuptorul din cauza posibilității de aprindere;
- Dacă observați fum, opriți sau deconectați aparatul și țineți ușa închisă pentru a înăbuși flăcările;
- Încălzirea cu microunde a băuturilor poate duce la o fierbere eruptivă întârziată, prin urmare, trebuie să aveți grijă când manipulați recipientul;
- Înainte de consumare, conținutul biberoanelor și al borcanelor cu alimente pentru bebeluși trebuie amestecate și temperatura acestora trebuie verificată pentru a se evita arsurile;
- Ouăle în coajă și ouăle fierte tari întregi nu trebuie încălzite în cuptoarele cu microunde, deoarece acestea pot exploda, chiar și după ce încălzirea cu microunde s-a încheiat;

- Când curățați suprafețele, garniturile ușii, cavitatea cuptorului, utilizați numai săpunuri neagresive, neabrazive sau detergenți aplicați folosind un burete sau o lavetă moale.
- Cuptorul trebuie curățat în mod regulat și orice depuneri de alimente trebuie îndepărtate;
- Dacă nu mențineți curățenia cuptorului, suprafața acestuia se poate deteriora, ceea ce ar putea afecta negativ durata de funcționare a aparatului și ar putea duce la o situație periculoasă;
- În cazul în care cablul de alimentare este deteriorat, acesta trebuie înlocuit de către producător, agentul de service sau persoane cu calificare corespunzătoare, pentru a evita pericolele.
- Nu lăsați cablul de alimentare să atârne peste marginea mesei sau a blatului de lucru.
- Nu conectați niciodată acest aparat la un temporizator extern sau la un sistem de comandă de la distanță pentru a evita o situație periculoasă.
- Nu înlocuiți niciodată becul din interiorul cuptorului. Trebuie întotdeauna înlocuit de personalul de service Gorenje.
- Nu curățați aparatul cu aparate de curățat cu abur, aparate de curățat cu înaltă presiune, obiecte ascuțite, agenți de curățare abrazivi sau bureți abrazivi sau produse de îndepărtare a petelor.

Mai jos sunt prezentate, la fel ca în cazul tuturor aparatelor, anumite reguli de urmat și măsuri de protecție pentru a asigura cea mai bună performanță a acestui cuptor:

1. În timpul utilizării cuptorului, platoul de sticlă, brațele cu role, dispozitivul de cuplare și șenila cu role trebuie să stea întotdeauna la locul lor.
2. Nu utilizați cuptorul în alte scopuri în afară de pregătirea alimentelor, cum ar fi pentru uscarea hainelor, hârtiei sau a altor produse nealimentare sau pentru sterilizare.
3. Nu utilizați cuptorul atunci când este gol. Acest lucru ar putea deteriora cuptorul.
4. Nu utilizați cavitatea cuptorului pentru nici un tip de depozitare, cum ar fi pentru hârtii, cărți de bucate etc.
5. Nu gătiți alimente înconjurate de membrană, cum ar fi gălbenușuri de ou, cartofi, ficat de pui etc., fără a le înțepa cu furculița în prealabil de câteva ori.
6. Nu introduceți nici un obiect în orificiile de pe carcasa exterioară.
7. Nu îndepărtați niciodată piese ale cuptorului, cum ar fi picioarele, cuplajul, șuruburile etc.
8. Nu gătiți mâncarea direct pe platoul de sticlă. Așezați alimentele în/pe ustensila de gătit corespunzătoare înainte de a le introduce în cuptor.

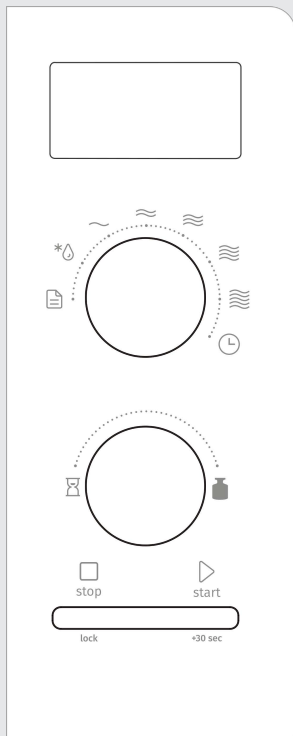
**IMPORTANT - VASE CE NU TREBUIE UTILIZATE ÎN CUPTORUL CU MICROUNDE**

- Nu folosiți oale metalice sau vase cu mânere metalice.
  - Nu folosiți recipiente cu ornamente metalice.
  - Nu folosiți cleme de sârmă acoperite cu hârtie destinate sigilării pungilor de plastic.
  - Nu utilizați vase de melamină, deoarece acestea conțin un material care va absorbi energia cuptorului cu microunde. Acest lucru poate duce la fisurarea sau carbonizarea vaselor și va încetini viteza de gătire.
  - Nu utilizați vesela marca Centura. Glazura nu este potrivită pentru a fi utilizată în cuptorul cu microunde. Cănila cu toartă marca Corelle Livingware nu trebuie utilizate.
  - Nu gătiți într-un recipient cu deschidere limitată, cum ar fi sticlele PET sau cele de ulei cu capac etanș, deoarece acestea pot exploda dacă sunt încălzite într-un cuptor cu microunde.
  - Nu utilizați termometre convenționale pentru carne sau acadele.
  - Sunt disponibile termometre speciale pentru prepararea alimentelor la cuptorul cu microunde. Pe acelea le puteți folosi.
9. Ustensilele pentru cuptoare cu microunde trebuie utilizate numai în conformitate cu instrucțiunile producătorului.
  10. Nu încercați să prăjiți alimente în acest cuptor.
  11. Vă rugăm să rețineți că un cuptor cu microunde încălzește mai degrabă lichidul dintr-un recipient și nu recipientul în sine.

Prin urmare, chiar dacă, la scoaterea din cuptor, capacul unui recipient nu este fierbinte la atingere, vă rugăm să rețineți că alimentele/ lichidele din interior vor elibera aceeași cantitate de abur și/ sau vor arunca jeturi de presiune atunci când veți îndepărta capacul, la fel ca în cazul gătitului convențional.

12. Testați întotdeauna temperatura alimentelor găsite, în special dacă încălziți sau gătiți alimente/ lichide pentru bebeluși. Este recomandabil să nu consumați niciodată alimente/ lichide direct din cuptor, ci să le lăsați să stea timp de câteva minute și să amestecați alimentele/ lichidele pentru a distribui căldura în mod uniform.
13. Alimentele care conțin un amestec de grăsimi și apă, de exemplu, supă concentrată, trebuie să stea timp de 30-60 de secunde în cuptor după ce acesta s-a oprit. Acest lucru permite amestecului să se stabilizeze și să prevină barbotarea atunci când o lingură este plasată în aliment/ lichid sau când se adaugă un cub de supă concentrată.
14. Atunci când preparați/ gătiți alimente/ lichide amintiți-vă că există anumite alimente, de exemplu budinci de Crăciun, gem sau carne tocată, care se încălzesc foarte repede. Atunci când încălziți sau gătiți alimente cu conținut ridicat de grăsimi sau zahăr, nu utilizați recipiente din plastic.
15. Ustensilele de gătit se pot încălzi din cauza căldurii transferate din alimentele încălzite. Acest lucru este valabil mai ales dacă folia de plastic a acoperit partea superioară și mânerul ustensilei. Pentru manevrarea ustensilelor pot fi necesare șervete groase.
16. Pentru a reduce riscul de incendiu în cavitatea cuptorului:
  - a) Nu gătiți excesiv alimentele. Observați cu atenție cuptorul cu microunde dacă în interiorul acestuia sunt introduse hârtie, plastic sau alte materiale combustibile pentru a facilita gătitul.
  - b) Scoateți clemele de sigilare din sârmă ale pungilor înainte de a introduce punga în cuptor.
  - c) Dacă materialele din interiorul cuptorului se aprind, țineți ușa cuptorului închisă, opriți cuptorul de la întrerupătorul de perete sau opriți alimentarea de la panoul de siguranțe.

# PANOU DE COMANDĂ



## UNITATEA DE AFIȘARE

Afișează funcțiile selectate și timpul.

### TASTE

 stop/lock

 start/+30 sec

### BUTON ROTATIV

 Meniu automat

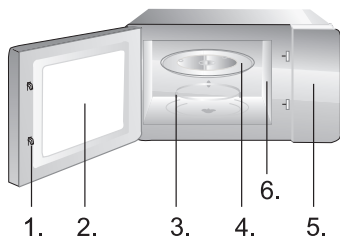
 Decongelare

 Microunde

 Ceas

 Temporizator

 Greutate



1. Sistem de blocare de siguranță a ușii
2. Fereastra cuptorului
3. Înel cu role
4. Platou de sticlă
5. Panou de comandă
6. Ghid de unde (vă rugăm să nu scoateți placa de mică care acoperă ghidul de unde)

# INSTRUCȚIUNI DE UTILIZARE

## 1. ÎNAINTE DE GĂTIRE

Afișajul se aprinde când este conectat la sursa de alimentare, apoi intră în starea de așteptare și afișajul arată 1:00.

## 2. FUNCȚIA CUPTORULUI CU MICROUND

Există cinci niveluri de putere de încălzire, 100P, 80P, 50P, 30P și, respectiv, 10P. Rotiți butonul de mai sus pentru a selecta puterea dorită pentru cuptorul cu microunde. Rotiți butonul de mai jos pentru a selecta timpul de gătire, intervalul de timp care poate fi reglat este de la 0:10 la 60:00. După selectarea timpului, apăsați pe butonul „START/+30sec” pentru a începe gătitul. Se va auzi o sonerie ce anunță finalizarea operațiunii.

|        |                        |   |
|--------|------------------------|---|
| HIGH   | puterea de ieșire 100% | (Pentru gătit rapid și în profunzime)   |
| M.High | puterea de ieșire 80%  | (Pentru gătit mediu expres)             |
| Med    | puterea de ieșire 50%  | (Pentru prepararea alimentelor la abur) |
| M.Low  | puterea de ieșire 30%  | (Pentru decongelarea alimentelor)       |
| LOW    | puterea de ieșire 10%  | (Pentru păstrarea alimentelor la cald)  |

### NOTĂ:

- Durata maximă care poate fi setată este de 60 de minute
- Nu folosiți niciodată cuptorul gol.
- Când atinge puterea maximă, cuptorul cu microunde va reduce automat după un anumit timp de gătit pentru a prelungi durata de utilizare.
- Dacă întoarceți alimentele în timpul funcționării, apăsați o dată pe butonul START/ +30s și procedura de preparare presetată va continua.
- Dacă intenționați să scoateți alimentele din cuptor înainte de ora presetată, trebuie să apăsați o dată pe butonul STOP/LOCK pentru a șterge procedura presetată, pentru a evita utilizarea neintenționată la următoarea utilizare.

## 3. DEFROST (Decongelare)

Funcția de decongelare în funcție de greutate este afișată și corespunde afișajului „dEF”. Rotiți butonul de mai sus pentru a selecta funcția de decongelare, iar pe ecranul afișajului se afișează „dEF”. Rotiți butonul de mai jos pentru a selecta greutatea alimentelor, intervalul de greutate al dEF este de la 100g la 1500g. După selectarea greutății alimentelor pentru decongelare, apăsați pe butonul „START/ +30sec” pentru a începe gătitul. Se va auzi o sonerie ce anunță finalizarea operațiunii. Modul de decongelare dEF în funcție de greutate va emite un bip pentru a determina răsturnarea alimentelor în timpul decongelării.

Mai jos sunt câteva sfaturi privind timpul de decongelare a alimentelor:

|     |  |
|-----|--|
| dEF | Pentru decongelare, intervalul de greutate este de la 100g la 1500g. |
|-----|--|

#### **NOTĂ:**

- În timpul decongelării, este necesar să întoarceți alimentele pentru a obține un efect uniform.
- De obicei, pentru decongelare aveți nevoie de mai mult timp decât pentru gătitul alimentelor.
- Puteți considera că procesul de decongelare este finalizat atunci când puteți tăia alimentele cu cuțitul.
- Microundele pătrund aproximativ 4 cm în majoritatea alimentelor
- Alimentele decongelate trebuie consumate cât mai curând posibil, nu este recomandat să le puneți la frigider și să le congelați din nou.

#### **4. CEAS (ceas cu 24 de ore)**

Rotiți butonul de mai sus pentru a selecta funcția ceas, apăsați pe butonul „START/+30s” pentru mai mult de 3 secunde pentru a intra în interfața de setare a ceasului. În același timp, ecranul afișează intermitent orele. Ora poate fi setată rotind butonul de mai jos. După setarea orei, apăsați pe butonul „START/ +30s” pentru o scurtă perioadă de timp pentru a trece la modul de setare a minutelor. Minutetele pot fi setate rotind butonul de mai jos. După setarea minutelor, apăsați din nou pe butonul „START/ +30s” pentru a ieși din modul de setare.

#### **5. GĂTIRE AUTOMATĂ**

Există opt meniuri automate A.1~A.8, cartofi, paste, Pizza, Popcorn, legume, băuturi, carne și respectiv pește. Apăsați pe butonul de mai sus pentru a selecta funcția meniu, apoi rotiți butonul de mai jos pentru a selecta meniul dorit, ecranul de afișare afișează meniul A.1 ~ A.8 corespunzător. După selectarea meniului, apăsați pe butonul „START/+30sec” pentru a începe gătitul. Se va auzi o sonerie ce anunță finalizarea operațiunii.

| Afișaj | Tip     | Metodă   |
|--------|---------|--|
| A.1    | Cartofi | Greutatea opțională este de 500g                         |
| A.2    | Paste   | Greutatea opțională este de 100g                         |
| A.3    | Pizza   | Greutatea opțională este de 400g                         |
| A.4    | Popcorn | Greutatea opțională este de 100g                         |
| A.5    | Legume  | Greutatea opțională este de 400g                         |
| A.6    | Băutură | Greutatea opțională este de 1 ceașcă, aproximativ 250 ml |
| A.7    | Carne   | Greutatea opțională este de 400g                         |
| A.8    | Pește   | Greutatea opțională este de 400g                         |

### **NOTĂ:**

- a. Temperatura alimentelor înainte de gătire trebuie să fie de 20-25°C. Veți reduce sau veți mări durata de gătire în funcție de temperatura alimentelor.
- b. Temperatura, greutatea și forma alimentelor vor influența în mare măsură efectul gătirii. Dacă s-a constatat o abatere de la factorul menționat în meniul de mai sus, puteți regla timpul de preparare pentru a obține cel mai bun rezultat.

---

## **6. STOP**

În procesul de setare a gătirii, puteți apăsa pe butonul „STOP” pentru a anula setările și a reveni la starea de așteptare. În timpul gătirii la cuptorul cu microunde, puteți apăsa pe butonul „STOP” pentru a-l întrerupe. În starea de așteptare, puteți apăsa pe butonul „STOP” din nou pentru a anula funcția și pentru a reveni la starea de așteptare.

---

## **7. START/+30s**

După setarea timpului de gătire sau a greutății alimentelor, apăsați pe butonul „START/+30sec” pentru a porni cuptorul cu microunde imediat. În starea de funcționare, puteți apăsa pe butonul „START/+30sec” pentru a mări timpul, apăsați o dată pentru a mări timpul cu 30 secunde, dar nu puteți regla timpul din modul meniu și de decongelare în funcție de greutate. În starea de pauză, puteți apăsa pe butonul „START/+30sec” pentru ca cuptorul să continue să funcționeze înainte de a seta modul de gătire.

---

## **8. FUNCȚIA DE BLOCARE DE SIGURANȚĂ PENTRU COPII**

Utilizați această funcție pentru a bloca panoul de comandă atunci când îl curățați sau astfel încât copiii să nu poată utiliza cuptorul nesupravegheați. Toate butoanele sunt nefuncționale în acest mod.

1. Blocare: În modul așteptare, apăsați pe butonul „STOP” mai mult de 3 secunde, funcția de blocare de siguranță pentru copii este blocată și toate butoanele cuptorului cu microunde nu pot fi acționate.
2. Deblocare: În modul de blocare de siguranță pentru copii, apăsați pe butonul „STOP” mai mult de 3 secunde pentru a anula funcția de blocare de siguranță pentru copii.

## ÎNGRIJIREA CUPTORULUI CU MICROUNDDE

1. Oprii cuptorul și scoateți ștecherul din priza de perete înainte de a-l curăța.
2. Păstrați curățenia în interiorul cuptorului. Când alimentele împoacă lichide, acestea se lipesc de pereții cuptorului, ștergeți-le cu o lavetă umedă. Nu se recomandă utilizarea detergentului agresiv sau a materialelor abrazive.
3. Suprafața exterioară a cuptorului trebuie curățată cu o lavetă umedă. Pentru a preveni deteriorarea pieselor din interiorul cuptorului, apa nu trebuie lăsată să se infiltreze în orificiile de ventilație.
4. Nu permiteți udarea panoului de comandă. Curățați cu o lavetă moale și umedă. Nu utilizați detergenți, substanțe abrazive sau agenți de curățare prin pulverizare pe panoul de control.
5. Dacă aburul se acumulează în interiorul sau în jurul ușii cuptorului, ștergeți cu o cârpă moale. Acest lucru se poate întâmpla atunci când cuptorul cu microundde funcționează în condiții de umiditate ridicată și nu indică în niciun fel funcționarea defectuoasă a unității.
6. Ocazional este necesar să scoateți platoul de sticlă pentru curățare. Spălați platoul în apă caldă cu săpun sau în mașina de spălat vase.
7. Inelul cu role și baza cavității cuptorului trebuie curățate în mod regulat pentru a evita zgomotul excesiv. Pur și simplu ștergeți suprafața inferioară a cuptorului cu detergent delicat, apă sau detergent pentru geamuri și uscați. Inelul cu role poate fi spălat în apă cu săpun sau în mașina de spălat vase. Vaporii de gătit se colectează în timpul utilizării repetate, dar nu afectează în nici un fel suprafața inferioară sau inelele cu role. Când scoateți inelul cu role din baza cavității pentru a-l curăța, asigurați-vă că îl așezați apoi în poziția corectă.
8. Îndepărtați mirosurile din cuptor, combinând o ceașcă de apă cu sucul și coaja unei lămâi într-un bol adânc care poate fi încălzit la microundde. Porniți cuptorul cu microundde timp de 5 minute, ștergeți bine și uscați cu o lavetă moale.

### MEDIU

Nu eliminați aparatul împreună cu deșeurile menajere normale la sfârșitul duratei sale de utilizare, ci predați-l la un punct oficial de colectare pentru reciclare. Făcând acest lucru, contribuiți la conservarea mediului.

# MONTAREA CUPTORULUI CU MICROUND

## INSTALAREA

1. Asigurați-vă că toate materialele de ambalare sunt scoase din interiorul ușii.
2. Inspectați cuptorul după despachetare pentru a detecta orice deteriorare vizuală, cum ar fi:
  - Ușă nealinată
  - Ușă deteriorată
  - Urme de lovituri sau găuri în fereastra și ecranul ușii
  - Urme de lovituri în cavitateDacă observați oricare dintre cele de mai sus, NU utilizați cuptorul.
3. Acest Cuptor cu Microunde cântărește 10,3 kg și trebuie așezat pe o suprafață orizontală suficient de solidă pentru a susține această greutate.
4. Cuptorul trebuie ferit de temperaturi ridicate și abur.
5. NU așezați nimic pe partea superioară a cuptorului.
6. Păstrați cuptorul la cel puțin 20 cm distanță de pereții laterali și la 30 cm distanță de perețele din spate pentru a asigura o ventilație corectă.
7. NU scoateți arborele de acționare al platoului rotativ.
8. Ca în cazul oricărui aparat, este necesară o supraveghere atentă atunci când este utilizat de către copii.
9. Asigurați-vă că priza de curent alternativ este ușor accesibilă, astfel încât ștecherul să poată fi scos rapid în caz de urgență.  
În caz contrar, trebuie să fie posibilă deconectarea dispozitivului folosind un comutator de la circuit. În acest caz sunt luate în considerare prevederile existente ale standardelor de siguranță electrică.  
Produsul trebuie instalat corect la o priză cu împământare, cu o priză de curent alternativ monofazată (230 V/50 Hz).  
**AVERTIZARE! ACEST APARAT TREBUIE ÎMPĂMÂNTAT!**
10. Acest cuptor necesită 1,3 kVA, pentru intrare, recomandăm consultarea inginerului de service atunci când instalați cuptorul.

**ATENȚIE:** Acest cuptor este protejat intern de o siguranță de 8 A, 250 V.

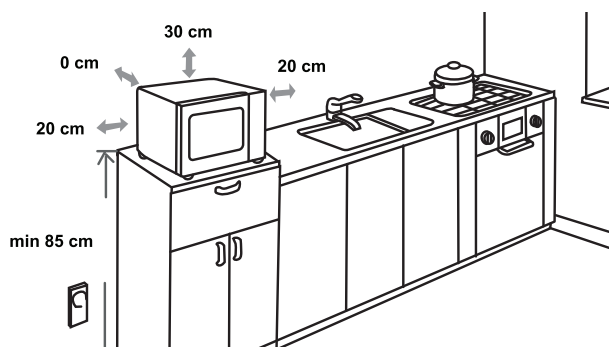
## SPECIFICAȚII

|                                     |                                     |
|-------------------------------------|-------------------------------------|
| Consum de energie .....             | 220-240V~50Hz, 1280W                |
| Putere de ieșire .....              | 800 W                               |
| Frecvența de operare.....           | 2450 MHz                            |
| Dimensiuni exterioare.....          | 454,5 mm(L) x 261 mm(Î) x 353 mm(D) |
| Capacitate cuptor .....             | 20 litri                            |
| Greutate scos din cutie aprox. .... | 10,3 kg                             |
| Nivel de zgomot Lc .....            | < 55 dB (A)                         |



Acest aparat este marcat în conformitate cu Directiva europeană 2012/19/UE privind Deșeurile de echipamente electrice și electronice (DEEE). Această normă reprezintă cadrul de reglementare la nivel european al returnării și reciclării deșeurilor de echipamente electrice și electronice.

## DIMENSIUNI DE MONTARE



## INTERFERENȚE RADIO

Cuptorul cu microunde poate provoca interferențe cu radioul, televizorul sau alte echipamente similare. Atunci când interferențele apar, acestea pot fi eliminate sau reduse prin următoarele proceduri.

- Curățați ușa și suprafața de etanșare a cuptorului.
- Așezați radioul, televizorul etc. cât mai departe posibil de cuptorul cu microunde.
- Utilizați o antenă instalată corect pentru radio, TV etc. pentru a obține o recepție puternică a semnalului.

NE REZERVĂM DREPTUL DE A FACE ORICE MODIFICĂRI CARE NU AFECTEAZĂ FUNCȚIONALITATEA APARATULUI.

## ÎNAINTE DE A SUNA PENTRU SERVICE

1. Dacă cuptorul nu funcționează deloc, informațiile de pe afișaj nu apar sau afișajul dispare:
  - a) Verificați dacă cuptorul este conectat ferm. Dacă nu este, scoateți ștecherul din priză, așteptați 10 secunde și conectați-l din nou ferm.
  - b) Verificați dacă vreo siguranță este arsă sau dacă s-a declanșat întrerupătorul principal. Dacă acestea par să funcționeze corect, testați priza cu un alt aparat.
2. Dacă încălzirea cu microunde nu funcționează:
  - a) Verificați dacă temporizatorul este setat.
  - b) Verificați pentru a vă asigura că ușa este bine închisă pentru a cupla dispozitivele de blocare de siguranță. În caz contrar, energia cuptorului cu microunde nu va ajunge în cuptor.  
Dacă niciuna dintre manevrele de mai sus nu remediază situația, contactați cel mai apropiat agent de service autorizat.

Aparat de uz casnic pentru încălzirea alimentelor și a băuturilor cu ajutorul energiei electromagnetice, numai pentru uz interior.

## GARANȚIE & SERVICE

Dacă aveți nevoie de informații sau dacă aveți o problemă, vă rugăm să contactați Centrul de Asistență pentru Clienți Gorenje din țara dvs. (găsiți numărul său de telefon în prospectul de garanție la nivel mondial). Dacă nu există niciun centru de asistență pentru clienți în țara dvs., mergeți la distribuitorul local Gorenje sau contactați departamentul de service al aparatelor electrocasnice Gorenje.

**Numai pentru uz personal!**

Recomandări suplimentare pentru gătit cu microunde și sfaturi utile pot fi găsite pe website-ul:

<http://www.gorenje.com>

VĂUREAZĂSĂUTILIZAȚICUMULTĂPLĂCEREAPARATUL

# gorenje

SZANOWNY  
KLIENCIE

Dziękujemy za Twój zakup. Wierzymy, że niedługo zrozumiesz, iż możesz polegać na naszych produktach. Aby ułatwić Ci używanie urządzenia, dołączamy do niego zrozumiałą instrukcję obsługi.

Instrukcja pomoże Ci zapoznać się z Twoim nowym urządzeniem. Przeczytaj ją uważnie przed rozpoczęciem użytkowania urządzenia.

Upewnij się, że dostarczone urządzenie nie jest uszkodzone. W przypadku stwierdzenia uszkodzeń, skontaktuj się z miejscowym sprzedawcą. Numer telefonu znajdziesz na potwierdzeniu zakupu lub dostawy.

Mamy nadzieję, że urządzenie sprawi Ci wiele przyjemności.



Urządzenie jest przeznaczone do użytku domowego do podgrzewania żywności i napojów za pomocą energii elektromagnetycznej. Tylko do użytku w pomieszczeniach.

## INSTRUKCJA OBSŁUGI

Ta instrukcja jest przeznaczona dla użytkownika. Zawiera opis kuchenki i sposób jej używania. Instrukcja dotyczy również innych typów urządzenia, w związku z czym możesz w niej znaleźć informacje, które nie mają zastosowania do Twojego urządzenia.



Nie dotykać powierzchni urządzeń grzewczych lub kuchennych. Urządzenia te rozgrzewają się podczas pracy. Dzieci powinny przebywać w bezpiecznej odległości. Ryzyko oparzenia!



Energia mikrofalowa & Wysokie napięcie! Nie usuwać pokrywy.

**OSTRZEŻENIE!** Urządzenie i akcesoria nagrzewają się podczas pracy. Zachować ostrożność, by uniknąć dotknięcia gorących elementów. Dzieci poniżej 8 roku życia nie powinny używać urządzenia, chyba że pozostają pod stałym nadzorem. Dzieci powinny pozostawać pod nadzorem, by nie bawiły się urządzeniem.

Niniejsze urządzenie nie jest przeznaczone do użytku przez osoby (w tym dzieci poniżej 8 roku życia) o ograniczonych zdolnościach fizycznych, sensorycznych lub umysłowych, lub osoby bez doświadczenia i wiedzy, chyba że będą one nadzorowane lub zostaną poinstruowane w zakresie obsługi urządzenia przez osobę odpowiedzialną za ich bezpieczeństwo. Dzieci nie powinny bawić się urządzeniem. Dzieci mogą wykonywać prace konserwacyjne dopiero, gdy ukończą 8 lat. W trakcie prac konserwacyjnych muszą pozostawać pod nadzorem osoby dorosłej.

Trzymać urządzenie i jego kabel zasilający poza zasięgiem dzieci poniżej 8 roku życia.

- **OSTRZEŻENIE:** Z uwagi na generowane wysokie temperatury (dla modelu z funkcją grillowania), kiedy urządzenie pracuje w trybie kombinowanym, dzieci powinny używać go wyłącznie pod nadzorem osób dorosłych.

- **OSTRZEŻENIE:** Jeżeli drzwiczki lub ich uszczelki są uszkodzone, nie należy używać kuchenki, dopóki nie zostanie naprawiona przez wykwalifikowaną osobę.
- **OSTRZEŻENIE:** Ryzykowne jest przeprowadzanie napraw, obejmujących usuwanie pokrywy chroniącej przed narażaniem na energię mikrofalową, przez osoby niedoświadczone.
- **OSTRZEŻENIE:** Nie wolno podgrzewać cieczy i innej żywności w zamkniętych pojemnikach - ryzyko eksplozji.
- Dzieci powinny pozostawać pod nadzorem, by nie bawiły się urządzeniem.
- Nie usuwać nóżek kuchenki mikrofalowej. Nie zakrywać otworów wentylacyjnych.
- Używać wyłącznie akcesoriów odpowiednich dla kuchenek mikrofalowych.
- Podczas podgrzewania żywności w plastikowym lub papierowym pojemniku należy zwracać uwagę na piekarnik ze względu na możliwość zapłonu.
- W przypadku zauważenia dymu, wyłącz lub odłącz urządzenie i nie otwieraj drzwiczek kuchenki, by zduścić płomień.
- Podgrzewanie napojów w mikrofalach może spowodować opóźnione wrzenie. Zachować ostrożność podczas sięgania po pojemnik.
- Zawartość butelek do karmienia i słoiczków dla niemowląt należy wymieszać lub wstrząsnąć, a przed podaniem sprawdzić temperaturę, aby uniknąć poparzeń.
- Jajek w skorupkach i całych jajek ugotowanych na twardo nie należy podgrzewać w kuchence mikrofalowej, ponieważ mogą eksplodować nawet po zakończeniu podgrzewania w kuchence mikrofalowej.

- Do czyszczenia powierzchni drzwiczek, uszczelek drzwiowych i wnętrza kuchenki używać wyłącznie delikatnych młeczek i detergentów, aplikowanych na gąbce lub miękkiej ściereczce.
- Należy regularnie czyścić kuchenkę i usuwać resztki jedzenia.
- Nieutrzymanie kuchenki w czystości prowadzi do pogorszenia stanu powierzchni, co ma negatywny wpływ na żywotność urządzenia i może powodować niebezpieczne sytuacje.
- Jeśli kabel zasilający jest uszkodzony, musi zostać wymieniony przez producenta, autoryzowany serwis lub podobne doświadczone osoby.
- Kabel zasilający nie może zwisać na krawędzi stołu czy blatu.
- W celu uniknięcia niebezpiecznych sytuacji nie podłączać urządzenia do zewnętrznego wyłącznika czasowego lub systemów zdalnej kontroli.
- Nie wymieniać żarówki wewnątrz kuchenki. Żarówkę musi wymienić serwis Gorenje.
- Do czyszczenia nie stosować odkurzaczy parowych, myjek wysokociśnieniowych, ostrych przedmiotów, ściernych środków czyszczących i gąbek oraz odplamiaczy.

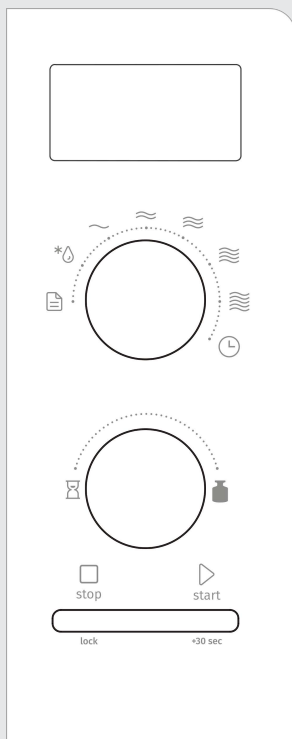
Poniżej wymieniono pewne zasady, których należy przestrzegać, aby zapewnić najwyższą wydajność tej kuchenki:

1. W trakcie używania kuchenki szklana taca, ramiona rolkowe, złączki itp. muszą być na swoich miejscach.
2. Nie używać kuchenki do celów innych niż przygotowanie jedzenia, np. suszenia ubrań, papieru czy sterylizacji.
3. Nie włączać mikrofali, gdy jest pusta. Może to uszkodzić kuchenkę.
4. Nie używać komory mikrofali do przechowywania czegokolwiek, np. dokumentów, książek kucharskich itp.
5. Nie gotować żywności otoczonej membraną, takich jak żółtka jaja, ziemniaki, kurze wątróbki, bez uprzedniego przekłucia tej membrany widelcem w kilku miejscach.
6. Nie wkładać niczego w otwory na obudowie.
7. Nigdy nie usuwać części kuchenki, takich jak nóżki, złączki, śrubki itp.
8. Nie stawiać żywności bezpośrednio na szklanej tacy. Przed umieszczeniem w kuchence położyć żywność na/w odpowiednim naczyniu. **WAŻNE** - W KUCHENCIE MIKROFALOWEJ NIE UŻYWAĆ:
  - Nie używać metalowych patelni i naczyń z metalowymi uchwytami.
  - Nie używać przedmiotów z metalowym wykończeniem.
  - Nie używać pokrytych papierem toreb z drucianym elementem.
  - Nie używać naczyń melaminowych, ponieważ materiał ten wchłania energię mikrofalową. Może to spowodować pęknięcie i zwęglanie naczyń, co spowalnia tempo gotowania.
  - Nie używać naczyń Centura. Powłoka nie jest odpowiednia do mikrofali. Nie używać kubków Corolle Livingware.
  - Nie gotować w pojemnikach z ograniczoną możliwością otwierania, takich jak butelki po napojach czy trwale zamknięte butelki oleju. Po podgrzaniu te pojemniki mogą eksplodować.
  - Nie używać tradycyjnych termometrów do mięsa i pieczenia.
  - Istnieją termometry przeznaczone do użytku w kuchenkach mikrofalowych. Można używać tych termometrów.
9. Akcesoria do mikrofali stosować zgodnie z zaleceniami ich producenta.
10. Nie używać kuchenki do smażenia w głębokim tłuszczu.
11. Należy pamiętać, że kuchenka mikrofalowa podgrzewa płyn w pojemniku, a nie sam pojemnik.

Nawet jeśli w momencie wyjmowania z kuchenki pojemnik nie jest gorący w dotyku, należy pamiętać, że po wyjęciu żywność/płyn w pojemniku będzie wydzielać tyle samo pary, co podczas tradycyjnego gotowania.

12. Należy zawsze osobiście sprawdzić temperaturę przygotowanej potrawy, szczególnie w przypadku podgrzewania lub gotowania żywności dla dzieci. Zaleca się, by nigdy nie spożywać potrawy/napoju bezpośrednio po wyjęciu z kuchenki. Należy pozostawić naczynie na kilka minut i wymieszać potrawę/napój, by równomiernie rozprowadzić ciepło.
13. Jedzenie zawierające mieszankę tłuszczu i wody, np. rosół, należy pozostawić w kuchence na 30-60 sekund po zakończeniu gotowania. Dzięki temu mieszanka osiądzie, co zapobiegnie bulgotaniu po włożeniu łyżki lub dodaniu kostki rosółowej.
14. Podczas przygotowywania/gotowania jedzenia/płynów należy pamiętać, że niektóre potrawy, np. puddingi, dzemy czy mięso mielone, ogrzewają się bardzo szybko. Żywności z wysoką zawartością tłuszczu lub cukrów nie podgrzewać/gotować w plastikowych pojemnikach.
15. Akcesoria kuchenne mogą być gorące - przenika nań ciepło z podgrzewanego jedzenia. Dotyczy to szczególnie sytuacji, gdy ręczki akcesoriów kuchennych pokryte są plastikiem. Może być konieczne użycie rękawic kuchennych.
16. Aby zmniejszyć ryzyko zapłonu wewnątrz komory kuchenki:
  - a) Nie gotować jedzenia zbyt długo. Nadzorować pracę mikrofali, gdy umieszczono w niej przedmioty z papieru, plastiku lub innej substancji palnej.
  - b) Usunąć druciane opaski z toreb przed włożeniem ich do kuchenki.
  - c) Jeżeli dojdzie do zapłonu, nie otwierać drzwiczek kuchenki, wyciągnąć wtyczkę z gniazdka lub wyłączyć bezpieczniki.



## PANEL STEROWANIA









### WYŚWIETLAZ

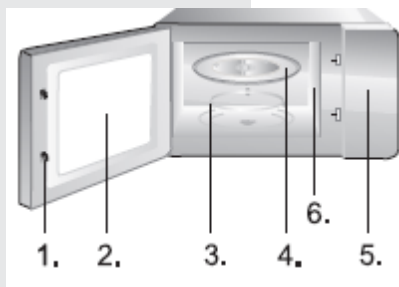
Wyświetla wybrane funkcje i czas.

### PRZYCISKI

-  zatrzymanie/blokada
-  start/30 sek.

### POKRĘTŁO

-  Menu automatyczne
-  Rozmrażanie
-  Mikrofałe
-  Zegar
-  Czas
-  Waga



1. System blokady drzwiczek
2. Okno kuchenki
3. Wspornik rolkowy
4. Szklana taca
5. Panel sterowania
6. Falowód (nie usuwać płytki mikrowej pokrywającej falowód)

# INSTRUKCJA OBSŁUGI

## 1. PRZED GOTOWANIEM

Wyświetlacz zapala się po podłączeniu zasilania, a następnie przechodzi w stan czuwania - wyświetlacz pokazuje 1:00.

## 2. FUNKCJE MIKROFALI

Dostępnych jest pięć poziomów mocy: 100P, 80P, 50P, 30P i 10P. Obrócić górne pokrętko, aby wybrać żądaną moc mikrofal. Obrócić dolne pokrętko, aby wybrać czas gotowania. Zakres czasu do wyboru to od 0:10 do 60:00. Po wybraniu czasu nacisnąć przycisk „START/+30s”, aby rozpocząć gotowanie. Brzęczący dźwięk informuje o zakończeniu operacji.

|        |           |   |
|--------|-----------|---|
| HIGH   | 100% mocy | (do szybkiego i całościowego gotowania) |
| M.High | 80% mocy  | (do gotowania z średnią szybkością)     |
| Med    | 50% mocy  | (do gotowania na parze)                 |
| M.Low  | 30% mocy  | (do rozmrażania)                        |
| LOW    | 10% mocy  | (do podtrzymywania ciepła)              |

### UWAGA:

- Maksymalny czas, który można ustawić to 60 minut.
- Nigdy nie włączać pustej mikrofalówki.
- Przy maksymalnej mocy mikrofal kuchenka automatycznie obniży moc po pewnym czasie, aby wydłużyć żywotność.
- Po obróceniu potrawy podczas pracy urządzenia należy ponownie nacisnąć przycisk START/+30s, a zaprogramowana procedura gotowania będzie kontynuowana.
- Aby wyjąć potrawę przed ustawionym czasem, należy nacisnąć przycisk STOP/LOCK jeden raz, aby wymazać ustawioną procedurę i uniknąć niezamierzonego użycia tejże przy następnym użyciu.

## 3. ROZMRAŻANIE

Funkcja rozmrażania polega na rozmrażaniu wg wagi. Jej oznaczenie na wyświetlaczu to „dEF”. Obrócić górne pokrętko, aby wybrać funkcję rozmrażania, a na wyświetlaczu pojawi się „dEF”. Obróć dolne pokrętko, by wybrać wagę potrawy. Zakres wagowy dla dEF to od 100 g do 1500 g. Po wybraniu wagi nacisnąć przycisk „START/+30s”, aby rozpocząć pracę. Brzęczący dźwięk informuje o zakończeniu operacji. Tryb rozmrażania dEF według wagi będzie emitował sygnał dźwiękowy, aby przypomnieć o konieczności obrócenia jedzenia podczas rozmrażania.

Poniżej zamieszczamy kilka wskazówek dot. rozmrażania:

|     |  |
|-----|--|
| dEF | Zakres wagowy dla rozmrażania to od 100 g do 1500 g. |
|-----|--|

**UWAGA:**

- e. Aby uzyskać równomierny efekt, konieczne jest obracanie żywności podczas gotowania.
- f. Zwykle rozmrażanie zajmuje więcej czasu niż gotowanie.
- g. Jeśli żywność można pokroić nożem, proces rozmrażania można uznać za zakończony.
- h. Mikrofałe wnikają do większości potraw na około 4 cm.
- i. Rozmrożoną żywność należy spożyć jak najszybciej, nie zaleca się wkładania jej z powrotem do lodówki i ponownego zamrażania.

---

#### 4. ZEGAR (24-godzinny)

Obrócić górne pokrętko, by wybrać funkcję zegara. Przytrzymać przycisk „START/+30s” przez ponad 3 sekundy, by przejść do ustawień zegara. Na wyświetlaczu migają pola godzin. Ustawić godzinę, obracając dolne pokrętko. Po ustawieniu godziny naciśnięć krótko przycisk „START/+30s”, aby przejść do trybu ustawiania minut. Ustawić minuty, obracając dolne pokrętko. Po ustawieniu minut ponownie naciśnięć przycisk „START/+30s”, aby wyjść z trybu ustawień.

---

#### 5. MENU AUTOMATYCZNE

Dostępnych jest osiem menu automatycznych A.1~A.8, kolejno ziemniaki, makarony, pizza, popcorn, warzywa, napoje, mięso i ryby. Naciśnięć górne pokrętko, by wybrać tryb automatyczny, następnie obrócić dolne pokrętko, by wybrać żądane menu. Na wyświetlaczu pokaże się odpowiedni kod od A.1 do A.8. Po wybraniu menu naciśnięć przycisk „START/+30s”, aby rozpocząć gotowanie. Brzęczący dźwięk informuje o zakończeniu operacji.

| Wyświetla | Rodzaj    | Metoda                                    |
|-----------|-----------|---|
| A.1       | Ziemniaki | Opcjonalna waga to 500 g                  |
| A.2       | Makarony  | Opcjonalna waga to 100 g                  |
| A.3       | Pizza     | Opcjonalna waga to 400 g                  |
| A.4       | Popcorn   | Opcjonalna waga to 100 g                  |
| A.5       | Warzywa   | Opcjonalna waga to 400 g                  |
| A.6       | Napoje    | Opcjonalna waga to 1 szklanka, ok. 250 ml |
| A.7       | Mięso     | Opcjonalna waga to 400 g                  |
| A.8       | Ryby      | Opcjonalna waga to 400 g                  |

### **UWAGA:**

- a. Temperatura żywności przed gotowaniem powinna wynosić 20-25°C. Wyższa lub niższa temperatura żywności przed gotowaniem wymagałaby wydłużenia lub skrócenia czasu gotowania.
- b. Temperatura, waga i forma żywności mają duży wpływ na efekt gotowania. W przypadku stwierdzenia jakichkolwiek odchyłeń od charakterystyk podanych w powyższym menu, można dostosować czas gotowania w celu uzyskania najlepszych rezultatów.

---

## 6. STOP

W trakcie wyboru ustawień naciśnąć przycisk „STOP”, by anulować ustawienia i powrócić do trybu gotowości. W trakcie gotowania można naciśnąć przycisk „STOP”, by zatrzymać gotowanie. W trybie gotowości można ponownie naciśnąć przycisk „STOP”, by anulować wybór funkcji i powrócić do trybu gotowości.

---

## 7. START/+30s

Po wybraniu czasu gotowania lub wagi potrawy naciśnąć przycisk „START/+30s”, aby natychmiast rozpocząć gotowanie. W trybie pracy można naciśnąć przycisk „START/+30s”, aby wydłużyć czas, naciśnąć raz, aby wydłużyć o 30 sekund. Nie można wydłużać czasu w trybie menu automatycznego i rozmrażania wg wagi. W trakcie pauzy można naciśnąć przycisk „START/+30s”, by kontynuować gotowanie mikrofalowe przed trybem gotowania.

---

## 8. KONTROLA RODZICIELSKA

Użyć tej funkcji, aby zablokować panel sterowania podczas czyszczenia lub aby dzieci nie mogły korzystać z kuchenki bez nadzoru. W tym trybie wszystkie przyciski nie działają.

1. **Włączenie blokady:** W trybie gotowości przytrzymać przycisk „STOP” przez ponad 3 sekundy, funkcja blokady przed dziećmi zostaje aktywowana, a wszystkie przyciski kuchenki mikrofalowej nie działają.
2. **Wyłączenie blokady:** W trybie kontroli rodzicielskiej przytrzymać przycisk „STOP” przez ponad 3 sekundy, by wyłączyć blokadę.

1. Wyłączyć kuchenkę i wyciągnąć wtyczkę z gniazdka.
2. Wnętrze kuchenki utrzymywać w czystości. Jeżeli odpryski jedzenia lub rozlane cieczce przywrą do ścianek kuchenki, należy je wytrzeć wilgotną ściereczką. Nie zaleca się używania mocnych detergentów i substancji ściernych.
3. Zewnętrzną powierzchnię kuchenki należy czyścić wilgotną ściereczką. Aby zapobiec uszkodzeniu części operacyjnych kuchenki, nie dopuścić, by woda przeniknęła do jej wnętrza przez otwory wentylacyjne.
4. Nie pozwolić, by panel sterowania uległ zamoczeniu. Panel sterowania czyścić miękką wilgotną ściereczką. Do czyszczenia panelu sterowania nie używać detergentów, środków ściernych czy środków czyszczących w sprayu.
5. Jeżeli para zebrała się wewnątrz lub na zewnętrznych krawędziach drzwiczek kuchenki, wytrzyj ją miękką ściereczką. Może się to zdarzyć, gdy kuchenka mikrofalowa działa w warunkach wysokiej wilgotności i nic nie wskazuje na nieprawidłowe działanie urządzenia.
6. Od czasu do czasu należy wyjąć i wyczyścić szklaną tacę. Tacę umyć wodą z płynem do mycia naczyń lub w zmywarce.
7. Należy regularnie czyścić wspornik rolkowy i komorę kuchenki, by zapobiec nadmiernemu hałasowi. Przetrzeć dno kuchenki łagodnym detergentem, wodą lub płynem do okien i wysuszyć. Wspornik rolkowy można umyć w wodzie z płynem do mycia naczyń lub w zmywarce. Częste stosowanie generuje powstawanie oparów, jednak w żaden sposób nie wpływa to na dno komory czy wspornik rolkowy. Po umyciu wspornika rolkowego upewnić się, że zostało włożone z powrotem w odpowiedniej pozycji.
8. Usuwanie zapachów: w misce odpowiedniej do mikrofalii wymieszać szklankę wody z sokiem i skórką z cytryny. Gotować w mikrofalii przez 5 minut, a następnie przetrzeć wnętrze kuchenki suchą i miękką ściereczką.

### ŚRODOWISKO

Nie wyrzucać urządzenia wraz ze zwykłymi odpadami domowymi. Urządzenie należy oddać do oficjalnego punktu zbiórki w celu poddania go recyklingowi. W ten sposób pomożesz chronić środowisko.

## INSTALACJA

1. Upewnić się, że wszystkie materiały opakowaniowe zostały usunięte z wnętrza drzwi.
2. Sprawdzić piekarnik pod kątem uszkodzeń, takich jak:
  - nierówne drzwi
  - wygięte drzwi
  - uszkodzenia drzwi i wyświetlacza
  - uszkodzenia w komorze kuchenki

W przypadku stwierdzenia jakichkolwiek uszkodzeń NIE UŻYWAJ kuchenki.
3. Kuchenka mikrofalowa waży 10,3 kg. Musi być umieszczona na poziomej powierzchni, zdolnej utrzymać jej ciężar.
4. Nie umieszczać kuchenki w pobliżu źródeł wysokiej temperatury i pary.
5. NIE stawiać nic na kuchence mikrofalowej.
6. Pozostawić 20 cm wolnej przestrzeni po obu stronach piekarnika oraz 30 cm z tyłu, by zapewnić odpowiedni przepływ powietrza.
7. NIE usuwać wspornika rolkowego.
8. Tak jak w przypadku innych urządzeń, należy nadzorować dzieci korzystające z kuchenki.
9. Upewnić się, że gniazdko AC jest łatwo dostępne, tak by w razie potrzeby można było szybko wyciągnąć wtyczkę. W przeciwnym razie musi być możliwe odcięcie zasilania przez wyłączenie bezpiecznika. W takim wypadku należy przestrzegać obowiązujących przepisów dotyczących bezpieczeństwa elektrycznego.  
Urządzenie należy podłączyć do uziemionego gniazdka jednofazowego AC (230 V/50 Hz).  
**OSTRZEŻENIE! URZĄDZENIE MUSI BYĆ UZIEMIIONE!**
10. Ta kuchenka wymaga 1,3 kVA. Podczas instalacji kuchenki zalecana jest konsultacja z inżynierem serwisu.

**UWAGA: Kuchenka jest wewnętrznie zabezpieczona bezpiecznikiem 250 V, 8 A.**

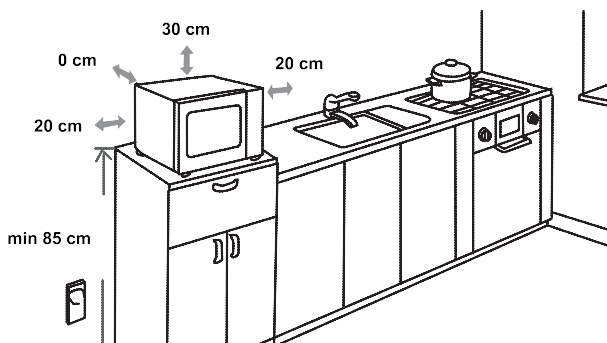
|                            |                                   |
|----------------------------|-----------------------------------|
| Pobór energii.....         | . 220-240V~50Hz, 1280W            |
| Moc wyjściowa.....         | 800 W                             |
| Częstotliwość robocza..... | 2450MHz                           |
| Wymiary zewnętrzne.....    | 454.5mm(Sz) x 261mm(W) x 353mm(G) |
| Pojemność kuchenki.....    | 20 litrów                         |
| Waga bez opakowania.....   | ok. 10,3 kg                       |
| Poziom hałasu.....         | Lc < 55 dB (A)                    |



**To urządzenie zostało oznaczone zgodnie z Dyrektywą Parlamentu Europejskiego 2012/19/UE w sprawie zużytego sprzętu elektrycznego i elektronicznego.**

Niniejsze wytyczne stanowią ramy obowiązujących w całej Europie zasad zwrotów i recyklingu zużytego sprzętu elektrycznego i elektronicznego.

WYMIARY  
MONTAŻOWE



ZAKŁÓCENIA RADIOWE

Kuchenka mikrofalowa może zakłócać pracę radia, TV i innych podobnych urządzeń. Zakłócenia można wyeliminować stosując się do następujących zaleceń.

- Wyczyścić drzwiczki i powierzchnię uszczeltek.
- Umieścić radio, TV itp. urządzenia jak najdalej od kuchenki mikrofalowej.
- By uzyskać mocny sygnał, używać anteny radiowej, TV itp.

**ZASTRZEGAMY SOBIE PRAWO DO WPROWADZANIA ZMIAN NIE WPŁYWAJĄCYCH NA FUNKCJONALNOŚĆ URZĄDZENIA.**

## ZANIM ZADZWONISZ DO SERWISU

1. Jeżeli kuchenka w ogóle nie działa, na wyświetlaczu nie pojawiają się żadne informacje lub wyświetlacz zniknął:
  - a) Sprawdź, czy kuchenka jest prawidłowo podłączona do gniazdka. Wyjmij wtyczkę z gniazdka, poczekaj 10 sekund i włóż wtyczkę z powrotem do gniazdka.
  - b) Sprawdź, czy nie przepaliły się bezpieczniki. Jeżeli powyższe nie rozwiązało problemu, podłącz do tego gniazdka inne urządzenie.
2. Jeżeli mikrofałe nie działają:
  - a) Sprawdź, czy ustawiono czas.
  - b) Sprawdź, czy drzwi są bezpiecznie zamknięte. W przeciwnym razie energia mikrofalowa nie może przepływać przez urządzenie.

**Jeżeli powyższe nie rozwiązało problemu, skontaktuj się z najbliższym autoryzowanym punktem serwisowym.**

**Urządzenie jest przeznaczone do użytku domowego do podgrzewania żywności i napojów za pomocą energii elektromagnetycznej. Tylko do użytku w pomieszczeniach.**

## GWARANCJA I USŁUGI SERWISOWE

Jeżeli potrzebujesz informacji lub masz jakiś problem, skontaktuj się z Centrum obsługi klienta Gorenje w swoim kraju (nr telefonu znajdziesz w karcie gwarancyjnej). Jeżeli w Twoim kraju nie ma Centrum obsługi klienta, skontaktuj się z miejscowym sprzedawcą Gorenje lub z działem serwisowym Gorenje.

### **Tylko do użytku osobistego!**

Dodatkowe zalecenia dotyczące gotowania w kuchence mikrofalowej oraz przydatne porady można znaleźć na stronie internetowej:

<http://www.gorenje.com>

**ŻYCZYMY CI PRZYJEMNEGO UŻYTKOWANIA  
URZĄDZENIA**

## KEDVES VÁSÁRLÓNK!

Őszintén köszönjük vásárlását! Hisszük, hogy hamarosan számos bizonyítékot talál arra, hogy valóban megbízhat termékeinkben. A készülék használatának megkönnyítése érdekében mellékeljük ezt az átfogó használati útmutatót.

Az útmutató segítségére lesz új készüléke megismerésében. Kérjük, olvassa át figyelmesen a készülék első használata előtt.

Mindenekelőtt győződjön meg arról, hogy a készülék sértetlen állapotban került kiszállításra Önnek. Ha bármilyen szállítási sérülést észlel, vegye fel a kapcsolatot az értékesítővel vagy azzal a területi raktárral, ahonnan a termék kiszállításra került. Ezek telefonszámát a számlán vagy a szállítólevélen találja.

Sok örömet kívánunk új háztartási készülékéhez!



A készülék háztartásban való használatra készült, ételek és italok elektromágneses energiával történő melegítésére szolgál.

HASZNÁLATI  
ÚTMUTATÓ

Ez az útmutató a felhasználónak szól.

A készüléket és annak használatát ismerteti. Különböző típusú készülékekre vonatkozik, ezért előfordulhat, hogy olyan funkciók leírását is megtalálja benne, amelyek az Ön készülékére nem vonatkoznak.



Soha ne érintse meg a fűtő- vagy főzőberendezések felületét. Működés közben felforrósodhatnak.

A gyerekeket tartsa biztonságos távolságban. Égésveszély!



Mikrohullámú energia & nagyfeszültség!  
Ne távolítsa el a burkolatot!

**FIGYELMEZTETÉS!** A készülék és hozzáférhető részei használat közben felforrósodhatnak. Ügyeljen rá, hogy ne érintse meg a fűtőelemeket. A 8 évesnél fiatalabb gyerekeket tartsa távol a készüléktől - kivéve, ha folyamatos felügyeletük biztosított. A gyerekeket felügyelni szükséges, hogy ne játszhassanak a készülékkel.

Ezt a készüléket akkor használhatják 8 éves vagy annál idősebb gyerekek, valamint csökkent fizikális, érzékszervi vagy mentális képességekkel rendelkezők, illetve megfelelő tudással és tapasztalattal nem rendelkező személyek, ha felügyeletük biztosított, vagy ha útmutatást kaptak a készülék biztonságos használatáról és megértették az ezzel járó veszélyeket. Gyerekek nem játszhatnak a készülékkel. A készülék tisztítását és karbantartását akkor végezhetik 8 évesnél idősebb gyerekek, ha felügyeletük biztosított.

Tartsa távol a készüléket és a tápkábelt a 8 évesnél fiatalabb gyerekektől.

- **FIGYELMEZTETÉS:** Ha a készülék kombinált üzemmódban működik, a gyerekek csak felnőtt felügyelete mellett használhatják, a keletkező magas hőmérséklet miatt; (Csak a grill funkcióval rendelkező modellekre vonatkozik).

- **FIGYELMEZTETÉS:** Ha az ajtó, vagy az ajtó tömítések megsérültek, a sütőt nem szabad használni addig, amíg egy hozzáértő személy meg nem javította.
- **FIGYELMEZTETÉS:** A hozzáértő személyen kívül mindenki más számára veszélyes olyan szervizelési vagy javítási munkák végzése, amelyek a mikrohullámú energiának való kitettségtől védő burkolat eltávolításával járnak;
- **FIGYELMEZTETÉS:** Folyadékokat és más élelmiszereket nem szabad lezárt edényekben melegíteni, mert felrobbanhatnak;
- A gyerekeket felügyelni szükséges, hogy ne játszhassanak a készülékkel;
- Ne távolítsa el a sütő lábait; ne takarja el a sütő szellőzőnyílásait;
- Csak mikrohullámú sütőben használható edényeket használjon;
- Amikor műanyag vagy papír edényben melegíti az ételleket, tartsa szemmel a sütőt a gyulladásveszély elkerülése érdekében;
- Ha füstöt észlel, kapcsolja ki a sütőt vagy húzza ki a dugót az aljzatból és tartsa zárva az ajtót a lángok elfojtása érdekében;
- Italok mikrohullámon való melegítése késleltetett, robbanásveszélyes forrással járhat. Ezért legyen elővigyázatos az italokat tartalmazó edényekkel;
- A cumisüvegek és bébiételes üvegek tartalmát fel kell rázni és fogsztás előtt ellenőrizni kell a hőmérsékletet az égési sérülések elkerülése érdekében;
- Tojásokat héjastul és egész, keményre főtt tojásokat nem szabad mikrohullámú sütőben melegíteni, mert felrobbanhatnak, még a mikrohullámú melegítés befejezése után is.

- Az ajtó, az ajtó tömítés vagy a sütőtér felületeinek tisztításához kizárólag kímélő, nem súroló hatású szappant vagy tisztítószer használjon;
- A sütőt rendszeresen tisztítani kell és minden étellerakódást el kell távolítani belőle;
- A sütő tisztántartásának elmulasztása esetén a felület károsodhat, ami hátrányosan befolyásolhatja a készülék élettartamát és veszélyes helyzetet idézhet elő.
- Ha a tápkábel megsérült, azt a veszélyek elkerülése érdekében kizárólag a gyártó, annak márkaszervize, vagy más hasonlóan képzett személy cserélheti ki.
- Ne hagyja, hogy a kábel túllógjon az asztal vagy a munkalap szélén.
- A veszélyes helyzeteket elkerülendő soha ne csatlakoztassa a készüléket külső időkapcsolódhoz vagy távirányítóhoz.
- Soha ne cserélje ki a sütőben lévő izzót. Azt mindig a Gorenje szerviznek kell kicserélnie.
- Ne tisztítsa a készüléket gőztisztítóval, nagynyomású tisztítóval, éles tárgyakkal, súroló hatású tisztítószerekkel, valamint súroló szivaccsal és folteltávolítóval.

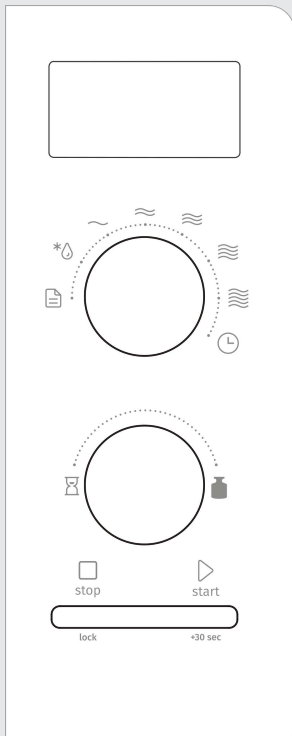
Az alábbiakban felsorolásra kerülnek, mint minden készüléknél, bizonyos szabályok, amelyeket be kell tartani a sütő legjobb teljesítményének biztosítása érdekében:

1. A sütő működése közben mindig legyen a helyén az üvegtálca, a görgők, a csatlakozó és a görgőgyűrű.
2. Ne használja a sütőt ételkészítésen kívül már célra, mint például ruha, papír, vagy más, nem élelmiszer-jellegű dolog szárítására vagy sterilizálásra.
3. Ne működtesse a sütőt üresen. Ez kárt okozhat a készülékben.
4. Ne használja a sütőteret semmilyen típusú tárolásra, például papírok, szakácskönyvek, stb. tárolására.
5. Ne főzzön hártával körülvett ételt, például tojássárgáját, burgonyát, csirkemájat, stb. anélkül, hogy először villalóval több helyen átszúrta volna a hártát.
6. Ne helyezzen semmilyen tárgyat a külső burkolat nyílásaiba.
7. Soha ne távolítson el alkatrészeket a sütőből, például lábakat, csatlakozókat, csavarokat, stb.
8. Ne főzzön ételt közvetlenül az üvegtálcán. A sütőbe helyezés előtt tegye az ételt megfelelő edénybe/edényre.  
**FONTOS - A MIKROHULLÁMÚ SÜTŐBEN NEM HASZNÁLHATÓ EDÉNYEK:**
  - Ne használjon fém, vagy fém füllel rendelkező edényeket.
  - Ne használjon semmi olyat, aminek fém szegélye van.
  - Műanyag zacskókon ne használjon papírral burkolt fémkapcsokat.
  - Ne használjon melamin edényeket, mert olyan anyagot tartalmaznak, ami elnyeli a mikrohullámú energiát. Ez az edények megrepedését vagy elszenesedését okozhatja és lelassíthatja a főzés folyamatát.
  - Ne használjon Centura étkészletet. A máz nem alkalmas mikrohullámú sütőben való használatra. Corelle Livingware zárt fülű poharakat sem szabad használni.
  - Ne főzzön szűk nyílású edényben, például palackban, vagy lezárt olajos üvegben, mert az ilyen edények fellobbanhatnak a mikrohullámú sütőben való hevítés hatására.
  - Ne használjon hagyományos hús- vagy cukor-hőmérőket.
  - Rendelkezésre állnak kifejezetten mikrohullámú sütéshez való hőmérők. Ezeket kell használni.
9. A mikrohullámú edényeket csak a gyártó utasításainak megfelelően szabad használni.
10. Ne próbáljon meg olajban sütni ételeket ebben a sütőben.
11. Ne feledje, hogy a mikrohullámú sütő csak az edényben lévő folyadékot melegíti, nem magát az edényt.

Ezért annak ellenére, hogy az edény fedele tapintásra nem forró, ne feledje, hogy amikor leveszi a fedelet, az edényben lévő étel/folyadék ugyanúgy gőzölöghet és/vagy kifröccsenhet, mint a hagyományos főzés esetében.

12. Mindig ellenőrizze a főtt étel hőmérsékletét, különösen, ha csecsemőknek melegít vagy főz ételt/folyadékot. Javasoljuk, hogy soha ne fogyasszon ételt/folyadékot közvetlenül a sütőből kivéve, hanem hagyja állni néhány percig, és keverje fel az egyenletes hőeloszlás érdekében.
13. A zsír és víz keverékét tartalmazó ételek, pl. az alaplé a készülék kikapcsolását követően még 30-60 másodpercig a sütőben kell hogy maradjanak. Erre azért van szükség, hogy a keverék leülepedjen és ne képződjenek buborékok, ha egy kanalat vagy egy leveskockát az ételbe/folyadékba teszünk.
14. Amikor ételt/folyadékot készít/főz, ne feledje, hogy vannak olyan ételek, mint például a karácsonyi puding, a dzsemek és a darált hús, amelyek nagyon gyorsan felmelegsznek. Magas zsír- vagy cukortartalmú ételek melegítésére vagy főzésére ne használjon műanyag edényeket.
15. A főzőedény a felmelegített étel hőátadása következtében felforrósodhat. Ez különösen igaz, ha műanyag fólia takarta az edény tetejét és fogantyúit. Az edény érintéséhez edényfogóra lehet szükség.
16. A sütőtérben a tűzveszély csökkentése érdekében:
  - a) Ne főzze túl az ételt. Felügyelje a mikrohullámú sütőt, ha papírt, műanyagot vagy más éghető anyagot helyez bele a főzés megkönnyítése érdekében.
  - b) Mielőtt a zacskókat a sütőbe helyezné, távolítsa el róluk a fém záróhuzalokat.
  - c) Ha a sütőben lévő anyagok meggyulladnak, tartsa zárva a sütő ajtaját, kapcsolja ki a készüléket a fali kapcsolóval, vagy kapcsolja ki az áramellátást a biztosítéknál vagy a megszakító panelnél.

# VEZÉRLŐ PANEEL



## KIJELZŐ EGYSÉG


Jelzi a kiválasztott funkciókat és az időt.

## GOMBOK

 stop/lock


 start/+30 sec

## FORGÓGOMB

 Automatikus menü

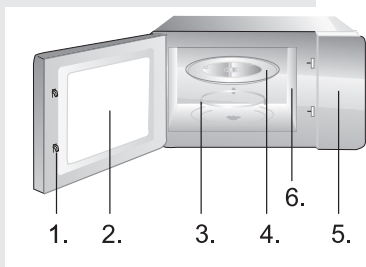
\* Kiolvasztás

 Mikrohullám

 Óra

 Idő

 Tömeg



1. Ajtó biztonsági zár rendszer
2. Sütő ablak
3. Görgőgyűrű
4. Üvegtálca
5. Vezérlő Panel
6. Hullámvezető (kérjük, ne távolítsa el a hullámvezetőt borító csillámlemezt)

# A MŰKÖDÉSRE VONATKOZÓ UTASÍTÁSOK

## 1. A FŐZÉS MEGKEZDÉSE ELŐTT

A tápfeszültségre való csatlakoztatáskor a kijelző kigyullad, majd készenléti üzemmódba lép és a kijelzőn az 1:00 lesz látható.

## 2. MIKROHULLÁM FUNKCIÓ

Öt teljesítmény-fokozat áll rendelkezésre: 100P, 80P, 50P, 30P és 10P. Forgassa el a felső gombot a kívánt mikrohullámú teljesítmény beállításához. A főzés időtartamának beállításához forgassa el az alsó gombot - a beállítható időtartomány 0:10 és 60:00 között van. Az idő beállítását követően nyomja meg a "START/+30s." gombot a működés megkezdéséhez. A működés végét sípolás fogja jelezni.

|            |                   |                                     |
|------------|-------------------|-------------------------------------|
| MAGAS      | 100% teljesítmény | (Gyors és alapos főzéshez alkalmas) |
| K.magas    | 80% teljesítmény  | (Közepesen gyors főzéshez alkalmas) |
| Közepes    | 50% teljesítmény  | (Ételek párolására alkalmas)        |
| K.alacsony | 30% teljesítmény  | (Ételek kiolvasztására alkalmas)    |
| ALACSONY   | 10% teljesítmény  | (Ételek melegen tartására alkalmas) |

### MEGJEGYZÉS:

- A maximálisan beállítható idő 60 perc.
- Soha ne működtesse a sütőt üresen.
- A maximális teljesítményfokozatról a sütő bizonyos idő elteltével alacsonyabb fokozatra csökkenti a teljesítményt, élettartamának meghosszabbítása érdekében.
- Ha működés közben megfordítja az ételt, nyomja meg egyszer a START/+30s gombot, és az előzetesen beállított főzési folyamat folytatódik.
- Ha a beállított idő előtt szeretné kivenni az ételt a sütőből, nyomja meg egyszer a STOP/LOCK gombot a beállított folyamat törléséhez, hogy a következő használatkor ne induljon véletlenül újra a régi beállítás.

## 3. KIOLVASZTÁS

A kiolvasztás funkcionál a kiolvasztás tömeg alapján történik, a kijelzőn ilyenkor a "dEF" jelzés látható. Forgassa el a felső gombot a kiolvasztás funkció kiválasztásához - a kijelzőn megjelenik a "dEF" jelzés. Forgassa el az alsó gombot az étel tömegének beállításához, 100 g és 1500 g között.

A kiolvasztandó tömeg beállítása után nyomja meg a "START/+30s" gombot a kiolvasztás megkezdéséhez.

A folyamat végét sípolás jelzi.

A dEF tömeg alapján történő kiolvasztás üzemmódban sípolás jelzi, ha az ételt meg kell fordítani a kiolvasztás során.

Az alábbiakban néhány tanácsot talál az élelmiszerek kiolvasztási idejére.

|     |  |
|-----|--|
| dEF | Kiolvasztásra, tömeg-tartomány 100g és 1500g között. |
|-----|--|

### MEGJEGYZÉS:

- Az egyenletes hatás elérése érdekében működés közben az ételt meg kell fordítani.
- A kiolvasztás általában hosszabb időt vesz igénybe, mint az étel megfőzése.
- Ha az étel késsel már elvágható, a kiolvasztási folyamat befejezettnek tekinthető.
- A mikrohullám kb. 4 cm-re hatol be az ételbe.
- A kiolvasztott ételt a lehető leghamarabb el kell fogyasztani, nem javasolt visszatenni a hűtőszekrénybe és újra lefagyasztani.

## 4. ÓRA (24-órás kijelzés)

Az óra funkció kiválasztásához forgassa el a felső gombot - tartsa nyomva legalább 3 másodpercig a "START/+30s" gombot az óra beállítása menübe való belépéshez. Ekkor a kijelzőn villog az órák kijelzése. Az órák beállításához forgassa el az alsó gombot. Az órák beállítását követően nyomja meg röviden a "START/+30s" gombot a percek beállítására való váltáshoz. A percek az alsó gomb elforgatásával állíthatók be. A percek beállítását követően nyomja meg ismét a "START/+30s" gombot a beállítás menüből való kilépéshez.

## 5. AUTOMATIKUS FŐZÉS

Nyolc automatikus menü áll rendelkezésre, A.1-től A.8-ig: burgonya, tészta, pizza, popcorn, zöldségek, italok, hús és hal. A felső gomb elforgatásával válassza ki a menüfunkciót, majd az alsó gomb elforgatásával válassza ki a kívánt menüt. A kijelzőn az adott menünek megfelelő jelzés (A.1~A.8) lesz látható. A menü kiválasztása után nyomja meg a "START/+30s" gombot a főzés megkezdéséhez. A főzés végét sípolás fogja jelezni.

| Kijelző | Típus     | Módszer                                    |
|---------|-----------|--|
| A.1     | Burgonya  | Az opcionális tömeg 500g                   |
| A.2     | Tészta    | Az opcionális tömeg 100g                   |
| A.3     | Pizza     | Az opcionális tömeg 400g                   |
| A.4     | Popcorn   | Az opcionális tömeg 100g                   |
| A.5     | Zöldségek | Az opcionális tömeg 400g                   |
| A.6     | Italok    | Az opcionális mennyiség 1 bögre, kb. 250ml |
| A.7     | Hús       | Az opcionális tömeg 400g                   |
| A.8     | Hal       | Az opcionális tömeg 400g                   |

## MEGJEGYZÉS:

a. Az étel hőmérséklete főzés előtt 20-25 °C legyen.

Ha az étel hőmérséklete főzés előtt ennél magasabb vagy alacsonyabb, a főzési idő ennek függvényében nő vagy csökken.

b. Az étel hőmérséklete, tömege és alakja nagy mértékben befolyásolja a főzés eredményét. Ha bármilyen eltérést észlel a fenti menüben feltüntetettekhez képest, a legjobb eredmény érdekében módosíthatja a főzési időt.

---

## 6. STOP

A főzési beállítások elvégzése közben a "STOP" gomb megnyomásával törölheti a beállításokat és visszatérhet készenléti üzemmódba. A sütő működését a "STOP" gomb megnyomásával szüneteltetheti. Készenléti üzemmódban a "STOP" gomb ismételt megnyomásával törölheti a funkciót, és visszatérhet készenléti üzemmódba.

---

## 7. START/+30s

A főzési idő vagy az étel tömegének beállítása után nyomja meg a "START/+30s" gombot a mikrohullámú sütő azonnali elindításához. Működés közben a "START/+30s" gomb megnyomásával növelhető az időtartam: a gomb egyszeri megnyomására a idő 30 másodperccel nő, de az auto menü és a kiolvasztás tömeg alapján üzemmódokban az idő nem módosítható. Szüneteltetés állapotban a "START/+30s" gomb megnyomásával folytathatja a főzés a korábbi beállításokkal.

---

## 8. GYEREKZÁR FUNKCIÓ

Használhatja ezt a funkciót a kezelőpanel lezárására a sütő tisztítása közben, vagy annak érdekében, hogy a gyerekek ne használhassák a készüléket felügyelet nélkül. Ebben a módban az összes gomb inaktívá válik.

1. A zár bekapcsolása: Készenléti üzemmódban tartsa nyomva a "STOP" gombot legalább 3 másodpercig - ezzel a gyerekzár funkció bekapcsolásra került, a mikrohullámú sütő minden gombja inaktívá vált.

2. A zár feloldása: Gyerekzár üzemmódban tartsa nyomva a "STOP" gombot legalább 3 másodpercig a gyerekzár funkció kikapcsolásához.

# A MIKROHULLÁMÚ SÜTŐ ÁPOLÁSA

1. A tisztítás megkezdése előtt kapcsolja ki a sütőt és húzza ki a tápkábelt a fali aljzatból.
2. Tartsa tisztán a sütő belsejét Ha kifröccsent étel vagy kiömlött folyadék tapad a sütő falaira, törölje le nedves ruhával. Erős tisztítószer vagy súrolószer használata nem javasolt.
3. A sütő külső felületét nedves ruhával kell megtisztítani. A sütő belsejében lévő alkatrészek károsodásának elkerülése érdekében ne engedje, hogy víz szivárogjon a szellőzőnyílásokba.
4. Ügyeljen rá, hogy a vezérlő panel ne váljon nedvessé. Tisztítsa puha, nedves ruhával. Ne használjon tisztítószer, súrolószer vagy spray állagú tisztítószer a kezelőpanelen.
5. Ha a sütő ajtajának belső oldalán, vagy a környékén gőz gyülemlik fel, törölje le puha ruhával. Ez akkor fordulhat elő, ha a mikrohullámú sütő magas páratartalmú körülmények között működik, és semmiképpen sem jelzi a készülék hibás működését.
6. Az üvegtálcát időnként el kell távolítani a tisztításhoz. A tálcát meleg, szappanos vízben vagy mosogatógépben tisztítsa.
7. A görgőgyűrűt és a sütőtér alját rendszeresen meg kell tisztítani a túlzott zaj elkerülése érdekében. Egyszerűen törölje át a sütő alsó felületét kímélő tisztítószerrel, vízzel vagy ablaktisztítóval és szárítsa meg. A görgőgyűrű enyhe szappanos vízben vagy mosogatógépben tisztítható. Az ismételt használat során a főzés közben keletkező gőzök összegyűlnek, de semmilyen módon nem érintik az alsó felületet vagy a görgőket. amikor tisztítás céljából eltávolítja a görgőgyűrűt a sütőtér aljáról, ügyeljen arra, hogy a megfelelő helyre tegye vissza.
8. A kellemetlen szagok sütebből való eltávolításához adja hozzá egy citrom levét és héját egy pohár vízhez és öntse a keveréket egy mély, mikrohullámon használható tálba. Kapcsolja be a sütőt 5 percre, majd alaposan törölje át és szárítsa meg puha ruhával.

## KÖRNYEZETVÉDELME

A készüléket, hasznos élettartama elteltével ne kezelje hagyományos háztartási hulladékként. Ehelyett adja le egy hivatalos, kijelölt gyűjtőhelyen újrahasznosítás céljából. Ezzel hozzájárulhat környezetünk védelméhez.

# A MIKROHULLÁMÚ SÜTŐ ÖSSZESZERELÉSE

## ÜZEMBE HELYEZÉS

1. Győződjön meg arról, hogy minden csomagolóanyagot eltávolított az ajtón belülről.
2. Kicsomagolás után vizsgálja meg a sütőt, hogy nincs-e rajta vizuálisan észlelhető sérülés, például:
  - rosszul beállított ajtó,
  - sérült ajtó,
  - horpadások vagy lyukak az ajtó ablakán és a kijelzőn,
  - horpadások a sütőtérben.Ha a fentiek közül bármelyik látható, NE HASZNÁLJA a sütőt.
3. A mikrohullámú sütő súlya 10,3 kg. Olyan vízszintes felületen kell elhelyezni, amely elég erős ahhoz, hogy ezt a súlyt elbírja.
4. A sütőt magas hőmérséklettől és gőztől távol kell elhelyezni.
5. NE tegyen semmit a sütő tetejére.
6. Tartsa a sütőt legalább 20 cm távolságra mindkét oldalfaltól és 30 cm távolságra a hátsó faltól a megfelelő szellőzés biztosítása érdekében.
7. NE távolítsa el a forgótányér tengelyét.
8. Mint minden készüléknél, gyermekek részéről történő használat esetén szoros felügyelet szükséges.
9. Ügyeljen rá, hogy a hálózati aljzat könnyen elérhető legyen, hogy vészhelyzetben gyorsan ki lehessen húzni a villásdugót. Ellenkező esetben lehetővé kell tenni az eszköz leválasztását az áramkörrel egy kapcsoló segítségével. Ebben az esetben be kell tartani az elektromos biztonsági szabványokra vonatkozó hatályos rendelkezéseket. A terméket megfelelően földelt, egyfázisú váltakozó áramú aljzatba kell csatlakoztatni (230 V/50 Hz). **FIGYELMEZTETÉS! A KÉSZÜLÉKET FÖLDELNI SZÜKSÉGES!**
10. Ez a sütő 1.3 kVA bemeneti teljesítményt igényel. Javasoljuk, hogy a sütő üzembe helyezésekor konzultáljon egy épületgépész mérnökkel.

**FIGYELEM: Ezt a sütőt belülről 250V-os, 8 Amperes biztosíték védi.**

## MŰSZAKI ADATOK

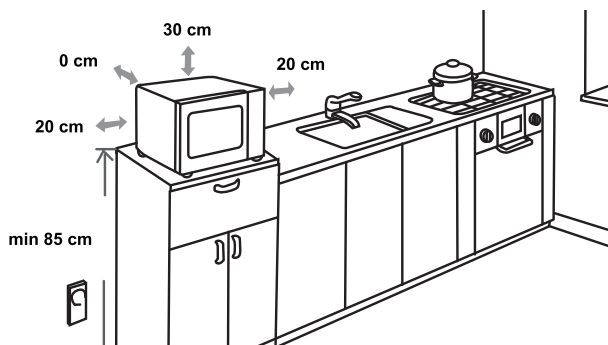
|                             |                                  |
|-----------------------------|----------------------------------|
| Energiafelhasználás.....    | 220-240V~50Hz, 1280W             |
| Kimeneti teljesítmény ..... | 800W                             |
| Működési frekvencia.....    | 2450MHz                          |
| Külső méretek.....          | 454.5mm(W) x 261mm(H) x 353mm(D) |
| Sütő űrtartalom.....        | 20 liter                         |
| Nettó tömeg.....            | Kb. 10,3 kg                      |
| Zajsztint.....              | Lc < 55 dB (A)                   |



**Ez a készülék a hulladék elektromos és elektronikus berendezésekről (WEEE) szóló 2012/19/EU európai uniós irányelvnek megfelelően van jelölve.**

**Ez az irányelv határozza meg a hulladék elektromos és elektronikus berendezések begyűjtésének és újrahasznosításának kereteit egész Európában.**

## BESZERELÉSI MÉRETEK



## RÁDIÓ INTERFERENCIA

A mikrohullámú sütő interferenciát okozhat a rádióban, televízióban, vagy más hasonló berendezésben. Ha interferencia lép fel, azt a következő módokon lehet kiküszöbölni vagy csökkenteni:

- Tisztítsa meg a sütő ajtaját és tömítéseit.
- Helyezze a rádiót, televíziót, stb. a lehető legtávolabb a mikrohullámú sütőtől.
- Használjon megfelelően felszerelt antennát a rádióhoz, tévéhez, stb., hogy erős jelet kapjon.

FENNTARTJUK A JOGOT BÁRMILYEN VÁLTOZTATÁSRA,  
AMELY NEM BEFOLYÁSOLJA A KÉSZÜLÉK  
MŰKÖDÉSÉT.

## MIELŐTT A SZERVIZET HÍVNÁ

1. Ha a sütő egyáltalán nem működik, a kijelzőn nem jelennek meg az információk, vagy a kijelző eltűnt:
  - a) Ellenőrizze, hogy a sütő megfelelően van-e bedugva az aljzatba. Ha nem, húzza ki a dugót a konnektorból, várjon 10 másodpercet, majd dugja vissza biztonságosan.
  - b) Ellenőrizze a helyiségeket, nincs-e kiegészítő egy biztosíték, vagy nincs-e kioldva a fő megszakító. Ha úgy tűnik, hogy ezek megfelelően működnek, ellenőrizze az aljzatot egy másik készülékkel.
2. Ha a mikrohullámú sütő nem működik:
  - a) Ellenőrizze, hogy van-e beállítva időzítés.
  - b) Győződjön meg arról, hogy az ajtó biztonságosan be van zárva a biztonsági reteszek bekapcsolásához. Ellenkező esetben a mikrohullámú energia nem áramlik be a sütőbe.

**Ha a fentiek egyike sem oldja meg a helyzetet, forduljon a legközelebbi hivatalos szervizhez.**

**A készülék kizárólag háztartásban való használatra készült, élelmiszerek és italok elektromágneses energiával történő melegítésére szolgál. Kizárólag beltéri használatra!**

## GARANCIA & SZERVIZ

Ha további információkra van szüksége, vagy probléma esetén forduljon az országában működő Gorenje ügyfélszolgálathoz (ezek telefonszámait megtalálja a garancialevélen). Ha az Ön országában nem működik ilyen ügyfélszolgálat, keresse fel a helyi Gorenje márkakereskedőt, vagy vegye fel a kapcsolatot a Gorenje háztartási készülékek szerviz részlegével.

### **Kizárólag személyes használatra!**

További mikrohullámú főzési javaslatok és hasznos tanácsok találhatóak az alábbi honlapon:

<http://www.gorenje.com>

**SOK ÖRÖMET KÍVÁNUNK ÖNNEK KÉSZÜLÉKE HASZNÁLATA SORÁN**

# gorenje

**CARO CONSUMIDOR**

Agradecemos sinceramente a sua compra. Acreditamos que em breve encontrará abundantes provas de que pode realmente confiar nos nossos produtos. Para facilitar o uso do aparelho, anexamos este manual de instruções completo.

As instruções deverão ajudar no processo de se familiarizar com o seu novo aparelho. Por favor, leia-as atentamente antes de utilizar o aparelho pela primeira vez.

Em qualquer caso, certifique-se de que o aparelho lhe foi entregue sem danos. Caso identifique algum dano de transporte, entre em contacto com o seu representante comercial ou com o armazém regional de onde o produto foi entregue. Encontrará o número de telefone no recibo ou na guia de entrega.

Desejamos que usufrua muito do seu novo eletrodoméstico.



O aparelho destina-se apenas a uma utilização doméstica e interna, para o aquecimento de alimentos e bebidas através de energia eletromagnética.

**INSTRUÇÕES DE UTILIZAÇÃO**

Estas instruções destinam-se ao utilizador. Descrevem o forno e como utilizá-lo. Além disso, aplicam-se a diferentes tipos de aparelhos; portanto, pode encontrar algumas descrições de funções que podem não corresponder ao seu aparelho.



Nunca toque em superfícies de aparelhos de aquecimento ou de cocção. Estas ficam quentes durante a operação. Mantenha as crianças a uma distância segura. Existe risco de queimadura!



Energia de micro-ondas e alta tensão! Não remova a cobertura.

**ATENÇÃO!** O aparelho e as peças acessíveis aquecem durante a utilização. É necessário ter cuidado para evitar tocar nos elementos de aquecimento. As crianças com menos de 8 anos de idade devem ser mantidas afastadas, a menos que sejam supervisionadas continuamente. As crianças devem ser supervisionadas para assegurar que não brincam com o eletrodoméstico.

Este aparelho pode ser utilizado por crianças com idades a partir dos 8 anos e pessoas com capacidades físicas, sensoriais ou mentais reduzidas ou com falta de conhecimento e experiência se forem alvo de supervisão ou tiverem sido instruídas relativamente à utilização do aparelho de forma segura e compreenderem os perigos envolvidos. As crianças não devem brincar com o aparelho. A limpeza e manutenção não devem ser feitas por crianças a não ser que tenham mais de 8 anos e com a supervisão de um adulto.

Mantenha o aparelho e o cabo fora do alcance das crianças com menos de 8 anos.

- **ATENÇÃO:** quando o aparelho é operado no modo combinado, as crianças só devem usar o forno sob supervisão de um adulto devido às temperaturas geradas; (somente para o modelo com função grill)

- **AVISO:** se a porta ou a vedação da porta estiverem danificadas, o forno não pode ser utilizado até ter sido reparado por uma pessoa competente;
- **AVISO:** é perigosa para qualquer pessoa sem formação competente, toda e qualquer reparação ou intervenção que implique a remoção da cobertura que protege contra a exposição à energia de micro-ondas;
- **AVISO:** nunca aqueça líquidos ou outros alimentos em recipientes selados, pois se o fizer, os referidos recipientes poderão explodir.
- As crianças devem supervisionadas para assegurar que não brincam com o eletrodoméstico.
- Não retire os pés do forno; não bloqueie as aberturas de ventilação do forno.
- Utilize exclusivamente utensílios que sejam adequados à utilização em micro-ondas.
- Ao aquecer alimentos em recipientes plásticos ou de papel, vigie o forno devido à possibilidade de ignição;
- Se notar fumo, desligue o aparelho no botão ou na tomada e mantenha a porta do forno fechada, a fim de abafar eventuais chamas;
- O aquecimento de bebidas por micro-ondas pode resultar em ebulição retardada, portanto, deve-se ter cuidado ao manusear o recipiente;
- Agite ou mexa sempre o conteúdo dos biberões ou dos frasquinhos de comida para bebés e verifique sempre a temperatura antes do seu consumo, para evitar queimaduras;
- Nunca cozinhe ovos com casca nem aqueça ovos cozidos inteiros no forno micro-ondas, pois corre o risco de eles explodirem, mesmo depois de o forno se desligar;

- Quando limpar as superfícies da porta, das vedações da porta, ou o interior do forno, use apenas detergentes suaves, não-abrasivos, aplicados com uma esponja ou um pano macio.
- O forno deve ser limpo regularmente e quaisquer resíduos de alimentos devem ser removidos;
- Não manter o forno limpo pode resultar em deterioração da superfície, o que afeta negativamente a vida útil do aparelho e possivelmente resultar em situações de perigo;
- Se o cabo de alimentação estiver danificado, este deverá ser substituído pelo fabricante, pelo seu agente ou por um técnico com qualificação similar de modo a evitar qualquer perigo.
- Não deixe o cabo pendurado no rebordo da mesa ou bancada.
- Nunca ligue este aparelho a um temporizador externo ou sistema de controlo remoto para evitar uma situação perigosa.
- Nunca substitua a lâmpada dentro do forno. Deve ser sempre substituída pela assistência Gorenje.
- Não limpe o aparelho com limpadores a vapor, limpadores de alta pressão, objetos pontiagudos, produtos de limpeza abrasivos, esponjas abrasivas e removedores de manchas.

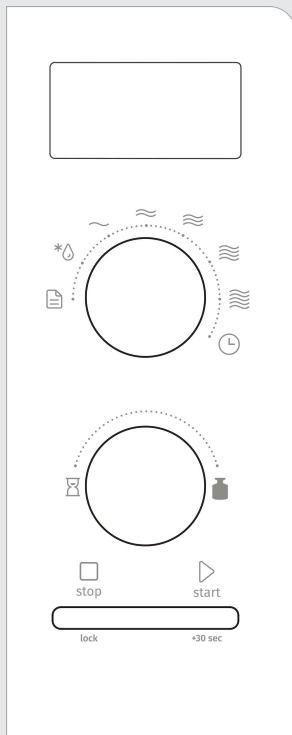
Enumeradas abaixo estão, tal como para todos os eletrodomésticos, determinadas regras a seguir e algumas advertências, para assegurar o melhor desempenho possível deste forno:

1. Quando utilizar o forno, certifique-se sempre de que o prato rotativo, os braços de rotação, o acoplamento e o rolete estão devidamente instalados.
2. Não utilize o forno por qualquer motivo que não seja a preparação de alimentos, como para secar roupas, papel ou quaisquer outros artigos não alimentares, ou para fins de esterilização.
3. Não utilize o forno quando este estiver vazio. Se o fizer, pode danificar o forno.
4. Não utilize o interior do forno para guardar quaisquer objetos, como papéis, livros de cozinha, etc.
5. Não cozinhe qualquer alimento envolvido por uma membrana, como gemas de ovos, batatas, fígados de frango, etc., sem primeiro ser perfurado várias vezes com um garfo.
6. Não introduza qualquer objeto nas aberturas da cobertura exterior.
7. Não remova em momento algum peças do forno, como pés, fixações, parafusos, etc.
8. Não cozinhe alimentos diretamente no prato rotativo. Coloque os alimentos em recipientes próprios para cozinhar, antes de os colocar no forno. **IMPORTANTE - LOUÇA QUE NÃO DEVE UTILIZAR NO SEU FORNO MICRO-ONDAS:**
  - Não utilize recipientes de metal ou recipientes com pegas de metal.
  - Não use qualquer instrumento com rebordos metálicos.
  - Não utilize atilhos de fio metálico revestidos de papel em sacos de plástico.
  - Não utilize pratos de melamina, pois contêm um material que absorve a energia do micro-ondas. Isso pode fazer com que a louça rache ou queime e retardará o processo de cozedura.
  - Não utilize louça da marca Centura. O esmalte não é adequado para uso em micro-ondas. As chávenas de asa fechada Corelle Livingware não devem ser utilizadas.
  - Não cozinhe num recipiente com abertura reduzida, como uma garrafa de refrigerante ou garrafa de óleo fechada, pois esses recipientes podem explodir se forem aquecidos num forno micro-ondas.
  - Não utilize termómetros convencionais para carnes ou doçaria.
  - Existem termómetros disponíveis especificamente para cozinhar em micro-ondas. São esses que devem ser utilizados.
9. Os utensílios de micro-ondas devem ser usados apenas de acordo com as instruções do fabricante.
10. Não tente fritar alimentos neste forno.
11. Lembre-se de que um forno micro-ondas aquece apenas o líquido num recipiente e não o próprio recipiente.

Portanto, mesmo que a tampa de um recipiente não esteja quente ao toque quando este é retirado do forno, lembre-se de que o alimento/líquido no interior irá libertar a mesma quantidade de vapor e/ou salpicos que quando a tampa é retirada na cozedura convencional.

12. Teste sempre a temperatura dos alimentos cozidos, especialmente se estiver a aquecer ou a cozinhar alimentos/líquidos para bebés. É aconselhável nunca consumir alimentos/líquidos diretamente do forno, mas deixar repousar alguns minutos e mexer os alimentos/líquidos para distribuir o calor uniformemente.
13. Alimentos que contenham uma mistura de gordura e água como, por exemplo, caldo, devem permanecer por 30 a 60 segundos no forno depois de ter sido desligado. A ideia é permitir que a mistura assente e evitar a fervura quando uma colher é colocada no alimento/líquido ou um cubo de caldo é adicionado.
14. Ao preparar/cozinhar alimentos/líquidos, lembre-se de que certos alimentos como, por exemplo, pudins de Natal, compotas e carne picada, aquecem muito rapidamente. Ao aquecer ou cozinhar alimentos com alto teor de gordura ou açúcar, não utilize recipientes de plástico.
15. O recipiente de cozedura pode ficar quente devido ao calor transferido dos alimentos aquecidos. Será particularmente verdade se a parte superior e as asas do utensílio estiverem cobertas por película aderente. Podem ser necessárias pegas para manusear o utensílio.
16. Para reduzir o risco de incêndio no interior do forno:
  - a) Não cozinhe demasiado os alimentos. Esteja atento ao forno micro-ondas caso tenha colocado dentro do forno papel, plástico ou outros materiais combustíveis para facilitar a cozedura.
  - b) Remova os atilhos de metal dos sacos antes de colocar o saco no forno.
  - c) Se os materiais dentro do forno entrarem em ignição, mantenha a porta do forno fechada, desligue o forno no interruptor de parede ou desligue a corrente no painel de fusíveis ou no disjuntor.

## PAINEL DE CONTROLO



### VISOR

Mostra as funções selecionadas e a hora.

### TECLAS

 stop/lock


 start/+30 sec

### BOTÃO ROTATIVO

 Automenu

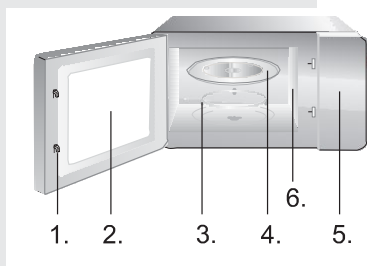
 Descongelação

 Micro-ondas

 Relógio

 Tempo

 Peso



1. Sistema de segurança do fecho da porta
2. Janela do forno
3. Aro rotativo
4. Prato rotativo
5. Painel de controlo
6. Guia de ondas (não remova a placa de mica que cobre o guia de ondas)

# INSTRUÇÕES DE UTILIZAÇÃO

## 1. ANTES DE COZINHAR

O visor acendeu quando foi ligado à fonte de alimentação, em seguida, entrou no estado de espera e o visor mostra 1:00.

## 2. FUNÇÃO DE MICRO-ONDAS

Existem cinco níveis de potência, 100 P, 80 P, 50 P, 30 P e 10 P, respetivamente. Gire o botão acima para selecionar a potência de micro-ondas desejada. Gire o botão abaixo para selecionar o tempo de cozedura, o intervalo de tempo que pode ser regulado é entre 0:10 a 60:00. Depois de selecionar a hora, prima o botão "START/+30s" (INICIAR/+30s) para iniciar o funcionamento. Um aviso sonoro notifica a conclusão da operação.

|         |                  |   |
|---------|------------------|---|
| ALTA    | 100% de potência | (Aplicável para cozedura rápida e completa) |
| M.Alt   | 80% de potência  | (Aplicável para cozedura expresso média)    |
| Méd     | 50% de potência  | (Aplicável para cozer alimentos a vapor)    |
| M.Baixa | 30% de potência  | (Aplicável para descongelar alimentos)      |
| BAIXA   | 10% de potência  | (Aplicável para manter quente)              |

### NOTA:

- O tempo máximo que pode ser definido é de 60 minutos
- Nunca utilize o forno vazio.
- Na potência máxima de micro-ondas, o forno reduz automaticamente a potência após um certo tempo de cozedura para prolongar a vida útil.
- Se girar o alimento durante o funcionamento, prima o botão START/+30s (INICIAR/+30s) uma vez e o procedimento de cozedura predefinido continuará.
- Caso pretenda retirar o alimento antes do tempo predefinido, tem de premir o botão STOP/LOCK (PARAR/BLOQUEAR) uma vez para limpar o procedimento predefinido, para evitar o funcionamento não intencional na próxima utilização.

## 3. DESCONGELAR

A função de descongelar consiste em descongelar por peso e corresponde à indicação "dEF" no visor. Gire o botão acima para selecionar a função de descongelamento e indicação "dEF" é apresentada no ecrã. Gire o botão abaixo para selecionar o peso do alimento; o intervalo de peso da função dEF é de 100 g a 1500 g. Depois de selecionar o peso de descongelamento, prima o botão "START/+30s" (INICIAR/+30s) para iniciar o funcionamento. Um aviso sonoro notifica a conclusão da operação. O modo de descongelamento dEF por peso terá um sinal sonoro para indicar que o alimento deve ser virado durante o descongelamento.

Abaixo estão alguns conselhos sobre o tempo de descongelamento de alimentos:

|     |   |
|-----|---|
| dEF | Para descongelamento, o intervalo de peso é entre 100 g a 1500 g. |
|-----|---|

**NOTA:**

- É necessário virar o alimento durante a operação para obter um efeito uniforme.
- Normalmente, o descongelamento demorará mais tempo do que a cozedura dos alimentos.
- Se for possível cortar o alimento com uma faca, o processo de descongelamento pode ser considerado concluído.
- As micro-ondas penetram cerca de 4 cm na maioria dos alimentos
- Os alimentos descongelados devem ser consumidos assim que possível, não é aconselhável voltar a colocar no frigorífico e congelar novamente.

#### 4. RELÓGIO (24 horas)

Gire o botão acima para selecionar a função de relógio, prima o botão "START/+30s" (INICIAR/+30s) durante mais de 3 segundos para entrar na interface de configuração do relógio. Ao mesmo tempo, o visor pisca em horas. A hora pode ser definida ao girar o botão abaixo. Depois de definir a hora, prima brevemente o botão "START/+30s" (INICIAR/+30s) para mudar para o modo de configuração de minutos. É possível definir os minutos girando o botão abaixo. Após definir os minutos, prima novamente o botão "START/+30s" (INICIAR/+30s) para sair do modo de configuração.

#### 5. COZEDURA AUTOMÁTICA

Existem oito menus automáticos A.1 ~ A.8, batata, massa, pizza, pipocas, legume, bebida, carne e peixe, respetivamente. Prima o botão acima para selecionar a função de menu e, em seguida, gire o botão abaixo para selecionar o menu desejado; o visor mostra a configuração A.1 ~ A.8 correspondente do menu. Depois de selecionar o menu, prima o botão "START/+30s" (INICIAR/+30s) para iniciar o funcionamento. Um aviso sonoro notifica a conclusão da operação.

| Visor | Tipo    | Método   |
|-------|---------|--|
| A.1   | Batata  | O peso opcional é de 500g                      |
| A.2   | Massa   | O peso opcional é de 100 g                     |
| A.3   | Pizza   | O peso opcional é de 400 g                     |
| A.4   | Pipocas | O peso opcional é de 100 g                     |
| A.5   | Legume  | O peso opcional é de 400 g                     |
| A.6   | Bebida  | O peso opcional é de 1 xícara, cerca de 250 ml |
| A.7.  | Carne   | O peso opcional é de 400 g                     |
| A. 8  | Peixe   | O peso opcional é de 400 g                     |

#### **NOTA:**

- a. A temperatura dos alimentos antes de cozinhar seria de 20-25 °C. A temperatura mais alta ou mais baixa dos alimentos antes de cozinhar exigiria o aumento ou diminuição do tempo de cozedura.
- b. A temperatura, o peso e a forma dos alimentos influenciarão em grande medida o efeito da cozedura. Em caso de qualquer desvio relativamente ao fator indicado no menu acima, pode ajustar o tempo de cozedura para obter o melhor resultado.

---

### **6. STOP (PARAR)**

No processo de configurações de cozedura, pode premir o botão "STOP" (PARAR) para cancelar as configurações e voltar ao estado de espera. No processo de funcionamento do forno micro-ondas, pode premir o botão "STOP" (PARAR) para colocar em pausa. No estado de espera, pode premir novamente o botão "STOP" (PARAR) para cancelar a função e voltar ao estado de espera.

---

### **7. START/+30s**

Depois de definir o tempo de cozedura ou o peso do alimento, prima o botão "START/+30s" (INICIAR/+30s) para iniciar o funcionamento do forno micro-ondas imediatamente. No estado de funcionamento, pode premir o botão "START/+30s" (INICIAR/+30s) para aumentar o tempo: prima uma vez para aumentar 30 segundos, mas no modo de menu e no modo de descongelamento por peso não é possível ajustar o tempo. No estado de pausa, pode premir o botão "START/+30s" (INICIAR/+30s) para continuar com o forno micro-ondas antes do modo de cozedura.

---

### **8. FUNÇÃO DE BLOQUEIO INFANTIL**

Utilize esta funcionalidade para bloquear o painel de controlo quando estiver a limpar ou para que as crianças não possam utilizar o forno sem supervisão. Todos os botões ficam inoperativos neste modo.

1. Definir bloqueio: no modo de espera, prima o botão "STOP" (PARAR) durante mais de 3 segundos; a função de bloqueio infantil é ativada e todos os botões do forno micro-ondas não podem ser operados.
2. Cancelar bloqueio: no estado de bloqueio infantil, prima o botão "STOP" (PARAR) durante mais de 3 segundos para cancelar a função de bloqueio infantil.

1. Desligue o forno e remova a ficha do cabo de alimentação da tomada de parede antes de limpar o eletrodoméstico.
2. Mantenha o interior do forno limpo. Quando salpicos de alimentos ou líquidos derramados aderirem às paredes do forno, limpe-os com um pano húmido. Não é recomendada a utilização de detergentes fortes ou abrasivos.
3. A superfície externa do forno deve ser limpa com um pano húmido. Para evitar danos nas peças operativas do interior do forno, não deve ser permitida a infiltração de água nas aberturas de ventilação.
4. Não deixe que o Painel de Controlo fique molhado. Limpe com um pano macio e húmido. Não utilize detergentes, abrasivos ou produtos de limpeza por pulverização no painel de controlo.
5. Se o vapor se acumular dentro ou em redor da porta do forno, limpe com um pano macio. Isto pode ocorrer quando o forno de micro-ondas é operado sob condições de alta humidade e de forma alguma indica um mau funcionamento da unidade.
6. Ocasionalmente, é necessário remover o prato rotativo para limpeza. Lave o prato numa solução de água morna e detergente ou numa máquina de lavar louça.
7. O aro rotativo e o fundo do interior do forno devem ser limpos regularmente para evitar ruído excessivo. Basta limpar a superfície do fundo do forno com um detergente suave, água ou um produto de limpeza de vidros e secar. O aro rotativo pode ser lavado numa solução de água com pouco detergente ou sabão. Os vapores de cozedura acumulam-se com as utilizações repetidas, mas de forma alguma afetam a superfície inferior ou as rodas do aro rotativo. Quando retirar o aro rotativo do fundo do forno para limpeza, certifique-se de que o volta a colocar na posição correta.
8. Remova os odores do forno combinando um copo de água com o sumo e a casca de um limão numa tigela funda apta para micro-ondas. Ligue o micro-ondas durante 5 minutos, limpe completamente e seque com um pano macio.

### AMBIENTE

Não deite fora o aparelho com o lixo doméstico normal no final da sua vida útil. Entregue-o num ponto de recolha oficial para reciclagem. Ao fazer isso, estará a ajudar a preservar o ambiente.

## INSTALAÇÃO

1. Certifique-se de que todos os materiais da embalagem são retirados do interior da porta.
2. Inspeção o forno após desembalá-lo quanto a danos visíveis, tais como:
  - Porta desalinhada
  - Porta danificada
  - Mossas ou orifícios na janela da porta e no visor
  - Mossas no interior do fornoSe algum dos danos referidos for visível, **NÃO UTILIZE** o forno.
3. Este forno micro-ondas pesa 10,3 kg e deve ser colocado sobre uma superfície horizontal suficientemente forte para suportar este peso.
4. O forno deve ser colocado longe de fontes de temperaturas elevadas e de vapor.
5. **NÃO** coloque nada em cima do forno.
6. Mantenha o forno a pelo menos 20 cm de distância de ambas as paredes laterais e a 30 cm de distância da parede traseira para garantir a ventilação correta.
7. **NÃO** remova o eixo de acionamento do prato rotativo.
8. Como acontece com qualquer aparelho, é necessária uma supervisão cuidadosa quando utilizado por crianças.
9. Certifique-se de que a tomada CA é facilmente acessível para que seja possível remover a ficha rapidamente em caso de emergência. Caso contrário, deve ser possível desligar o dispositivo utilizando um interruptor do quadro. Neste caso, são consideradas as disposições existentes das normas de segurança elétrica.  
O produto deve ser instalado corretamente numa tomada com ligação à terra com CA monofásica (230 V/50 Hz). **ATENÇÃO!**  
**ESTE APARELHO DEVE SER LIGADO À TERRA!**
10. Este forno necessita de 1,3 kVA para a sua entrada. Sugerimos que consulte um técnico de manutenção ao instalar o forno.

**CUIDADO:** este forno está protegido internamente por um fusível de 250 V e 8 Amp.

## ESPECIFICAÇÕES

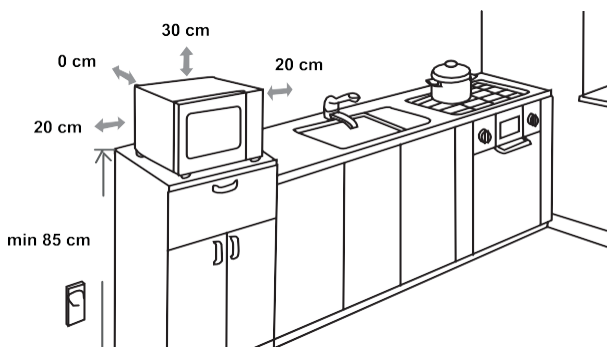
|                              |                                     |
|------------------------------|-------------------------------------|
| Consumo de energia .....     | 220-240 V ~ 50 Hz, 1280 W           |
| Potência de saída.....       | 800 W                               |
| Frequência de operação ..... | 2450 MHz                            |
| Dimensões externas.....      | 454,5 mm(L) x 261 mm(A) x 353 mm(P) |
| Capacidade do forno .....    | 20 litros                           |
| Peso não embalado .....      | Aprox. 10,3 kg                      |
| Nível de ruído .....         | Lc <55 dB (A)                       |



Este eletrodoméstico está marcado em conformidade com o disposto na diretiva comunitária 2012/19/UE relativa aos resíduos de equipamentos elétricos e eletrônicos (REEE).

Esta diretiva é o enquadramento de uma validade em toda a Europa de devolução e reciclagem de Resíduos de Equipamentos Elétricos e Eletrônicos.

## DIMENSÕES DE MONTAGEM



## INTERFERÊNCIA RADIOELÉTRICA

O forno micro-ondas pode provocar interferências no seu rádio, no seu televisor ou em equipamentos similares. Quando ocorre interferência, esta pode ser eliminada ou reduzida pelos procedimentos seguintes.

- Limpe a porta e a superfície de vedação do forno.
- Coloque o rádio, a TV, etc., o mais afastados possível do forno micro-ondas.
- Utilize uma antena devidamente instalada para o seu rádio, TV, etc., para assegurar uma receção forte do sinal.

RESERVAMO-NOS O DIREITO DE FAZER QUAISQUER ALTERAÇÕES QUE NÃO AFETEM A FUNCIONALIDADE DO APARELHO.

## ANTES DE LIGAR PARA A ASSISTÊNCIA

1. Se o forno não funcionar de todo, se a informação no visor não aparecer ou se o visor desaparecer:
  - a) Certifique-se de que o forno está devidamente ligado à corrente. Se não estiver, retire a ficha da tomada, aguarde 10 segundos e ligue-a novamente com segurança.
  - b) Verifique as instalações quanto a um fusível queimado ou um disjuntor em baixo no quadro. Se estes parecem estar a funcionar, teste a tomada com outro aparelho.
2. Se o forno micro-ondas não funcionar:
  - a) Certifique-se de que o relógio tem a hora certa.
  - b) Verifique se a porta está bem fechada para engatar as trancas de segurança. Caso contrário, a energia do micro-ondas não fluirá para o forno.  
**Se nenhuma das opções acima corrigir a situação, entre em contacto com o agente de assistência autorizado mais próximo.**

**O aparelho destina-se apenas a uma utilização doméstica e interna, para o aquecimento de alimentos e bebidas através de energia eletromagnética.**

## GARANTIA E SERVIÇO

Se precisar de informações ou se tiver algum problema, entre em contacto com o Centro de Atendimento ao Cliente da Gorenje no seu país (pode encontrar o número de telefone no folheto de garantia mundial). Se não houver um Centro de Atendimento ao Cliente no seu país, dirija-se ao seu revendedor local da Gorenje ou entre em contacto com o departamento de assistência de eletrodomésticos da Gorenje.

**Apenas para utilização pessoal!**

Recomendações adicionais para cozinhar com micro-ondas e conselhos úteis podem ser encontrados no site:

<http://www.gorenje.com>

**ESPERAMOS QUE USUFRUA AO MÁXIMO DO SEU APARELHO**

# gorenje

**GENTILE CLIENTE**

Ti ringraziamo sinceramente per il tuo acquisto. Siamo sicuri che presto scoprirai di poterti davvero fidare dei nostri prodotti. Per facilitare l'uso dell'elettrodomestico, alleghiamo questo esauriente manuale di istruzioni.

Le istruzioni dovrebbero aiutarti a imparare come usare il tuo nuovo elettrodomestico. Leggile attentamente prima di utilizzare l'elettrodomestico per la prima volta.

In ogni caso assicurati che l'elettrodomestico ti sia stato fornito integro. Nel caso dovessi identificare danni subito durante il trasporto, contatta il rappresentante di vendita o il magazzino regionale dal quale è stato spedito il prodotto. Troverai il numero di telefono sulla ricevuta o sul rapporto di consegna.

Ti auguriamo un piacevole utilizzo del tuo nuovo elettrodomestico.



L'apparecchio è destinato all'uso domestico per il riscaldamento di cibi e bevande utilizzando energia elettromagnetica; solo per uso interno.

**ISTRUZIONI PER L'USO**

Queste istruzioni sono destinate all'utente.

Descrivono il forno e come usarlo. Si applicano anche a diversi tipi di elettrodomestici, pertanto è possibile trovare la descrizione di funzioni che non si applicano all'elettrodomestico in questione.



Non toccare mai le superfici di apparecchi di riscaldamento o di cottura. Diventeranno calde durante il funzionamento. Tenere i bambini a distanza di sicurezza. C'è il rischio di ustioni!



Energia a microonde e alta tensione! Non rimuovere la copertura.

**ATTENZIONE!** L'apparecchio e le sue parti accessibili si riscaldano durante l'uso. Prestare attenzione ed evitare di toccare gli elementi riscaldanti. I bambini di età inferiore ai 8 anni devono essere tenuti a distanza, a meno che non siano continuamente sorvegliati. Sorvegliare sempre i bambini affinché non giochino con l'elettrodomestico.

Questo elettrodomestico può essere utilizzato da bambini di età pari o superiore agli 8 anni e da persone con capacità fisiche, sensoriali o mentali ridotte o prive di esperienza e conoscenza, se istruiti sull'uso sicuro dell'apparecchio e resi consapevoli dei pericoli connessi. I bambini non devono giocare con l'elettrodomestico. La pulizia e la manutenzione non devono essere eseguite da bambini, a meno che non abbiano più di 8 anni e siano sorvegliati.

Tenere l'elettrodomestico e il suo cavo lontano dalla portata dei bambini di età inferiore agli 8 anni.

- **ATTENZIONE:** quando l'elettrodomestico funziona in modalità combinata, i bambini possono usare il forno solo sotto la supervisione di un adulto a causa delle temperature generate (solo per il modello con funzione griglia).

- **ATTENZIONE:** se lo sportello o le guarnizioni dello sportello sono danneggiate, il forno non deve essere messo in funzione fino a quando non sarà stato riparato da una persona competente;
- **AVVERTENZA:** è pericoloso per chiunque non sia una persona competente eseguire qualsiasi operazione di assistenza o riparazione che comporti la rimozione della copertura che fornisce protezione contro l'esposizione all'energia a microonde;
- **ATTENZIONE:** liquidi e altri alimenti non devono essere riscaldati in contenitori sigillati poiché potrebbero esplodere.
- Controllare sempre che i bambini non giochino con l'elettrodomestico.
- Non rimuovere i piedini del forno, non ostruire gli eventi d'aria del forno.
- Utilizzare solo utensili adatti per l'uso nei forni a microonde.
- Quando si riscaldano cibi in contenitori di plastica o carta, tenere d'occhio il forno poiché potrebbe svilupparsi un principio d'incendio;
- In caso di fumo, spegnere o scollegare l'elettrodomestico e tenere chiuso lo sportello per soffocare eventuali fiamme;
- Il riscaldamento a microonde delle bevande può provocare un'ebollizione eruttiva ritardata, quindi è necessario prestare attenzione quando si maneggia il contenitore;
- Il contenuto dei biberon e dei vasetti per alimenti per neonati deve essere mescolato o agitato e la temperatura controllata prima del consumo, al fine di evitare scottature;
- Le uova con il guscio e le uova sode intere non devono essere riscaldate nei forni a microonde poiché potrebbero esplodere, anche dopo che il riscaldamento a microonde è terminato;

- Quando si puliscono le superfici dello sportello, la guarnizione dello sportello, la cavità del forno, utilizzare solo saponi delicati e non abrasivi o detergenti applicati con una spugna o un panno morbido.
- Il forno deve essere pulito regolarmente e gli eventuali depositi di cibo devono essere rimossi;
- Il mancato mantenimento del forno in condizioni di pulizia potrebbe comportare il deterioramento della superficie, il che potrebbe influire negativamente sulla durata dell'elettrodomestico ed eventualmente provocare una situazione di pericolo;
- Se danneggiato, il cavo di alimentazione dev'essere sostituito dal produttore, da un rappresentante del servizio di assistenza o da personale egualmente qualificato per evitare situazioni pericolose.
- Non lasciare che il cavo penda dal bordo del tavolo o dal piano di lavoro.
- Non collegare mai questo apparecchio a un timer esterno o a un sistema di controllo remoto per evitare situazioni pericolose.
- Non sostituire mai la lampadina all'interno del forno. Deve sempre essere sostituita dall'assistenza Gorenje.
- Non pulire l'elettrodomestico con pulitori a vapore, pulitori ad alta pressione, oggetti appuntiti, detergenti abrasivi, spugne abrasive e smacchiatori.

Di seguito sono elencate, come per tutti gli elettrodomestici, alcune regole da seguire e precauzioni per garantire le massime prestazioni di questo forno:

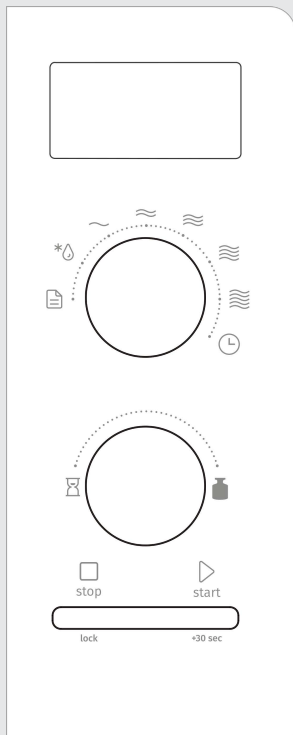
1. Tenere sempre in posizione il vassoio in vetro, i bracci del rullo, il giunto e la guida del rullo durante il funzionamento del forno.
2. Non utilizzare il forno per nessun motivo diverso dalla preparazione del cibo, ad esempio per asciugare vestiti, carta o altri articoli non alimentari o per scopi di sterilizzazione.
3. Non mettere in funzione il forno vuoto. Ciò potrebbe danneggiare il forno.
4. Non utilizzare la cavità del forno per conservare oggetti, come carta, libri di cucina, ecc.
5. Non cuocere alimenti avvolti in una membrana, come tuorli d'uovo, patate, fegatini di pollo, ecc. senza prima averli forati più volte con una forchetta.
6. Non inserire alcun oggetto nelle aperture della custodia esterna.
7. Non rimuovere in nessun momento parti dal forno come piedini, giunti, viti, ecc.
8. Non cuocere il cibo direttamente su vassoi in vetro. Posizionare il cibo in/su un supporto appropriato prima di metterlo nel forno. **IMPORTANTE: PENTOLE DA NON UTILIZZARE NEL FORNO A MICROONDE**
  - Non utilizzare pentole o stoviglie in metallo con manici in metallo.
  - Non utilizzare nulla con finiture in metallo.
  - Non utilizzare fascette a spirale rivestite di carta sui sacchetti di plastica.
  - Non utilizzare stoviglie in melamina poiché contengono un materiale che assorbe l'energia delle microonde. Ciò potrebbe causare la rottura o la carbonizzazione dei piatti e rallentare la velocità di cottura.
  - Non utilizzare stoviglie Centura. Lo smalto non è adatto per il microonde. Le tazze con manico chiuso Corelle Livingware non devono essere utilizzate.
  - Non cuocere in un contenitore con un'apertura ristretta, come una bottiglia con bibita gassata o una bottiglia di olio sigillata, poiché potrebbero esplodere se riscaldati in un forno a microonde.
  - Non utilizzare termometri convenzionali per carne o dolci.
  - Sono disponibili termometri specifici per la cottura a microonde. Questi possono essere utilizzati.
9. Gli utensili a microonde devono essere utilizzati solo in conformità con le istruzioni del produttore.
10. Non tentare di friggere cibi in questo forno.
11. Tenere a mente che un forno a microonde riscalda solo il liquido in un contenitore e non il contenitore stesso.

Pertanto, anche se il coperchio di un contenitore non è caldo al tatto quando viene rimosso dal forno, il cibo/liquido all'interno rilascia

la stessa quantità di vapore e/o schizzi come quando il coperchio viene rimosso nella cottura convenzionale.

12. Verificare sempre la temperatura del cibo cotto, soprattutto se si riscaldano o si cucinano cibi/liquidi per neonati. Si consiglia di non consumare mai cibi/liquidi appena sformati, ma lasciarli riposare per qualche minuto e mescolarli per distribuire uniformemente il calore.
13. I cibi contenenti una miscela di grasso e acqua, come ad esempio il brodo, dovrebbe riposare per 30-60 secondi nel forno dopo lo spegnimento. Questo consente alla miscela di assestarsi ed evitare che ribollesca quando si mette un cucchiaino nel cibo/liquido o si aggiunge un dado da brodo.
14. Durante la preparazione/cottura di cibi/liquidi, ricordare che ci sono alcuni cibi, ad es. dolci natalizi, marmellata e carne tritata, che si riscaldano molto rapidamente. Quando si riscaldano o si cucinano cibi con un alto contenuto di grassi o zuccheri, non utilizzare contenitori di plastica.
15. L'utensile da cucina può surriscaldarsi a causa del calore trasferito dal cibo riscaldato. Ciò è particolarmente vero se l'involucro di plastica ha coperto la parte superiore e le maniglie dell'utensile. Potrebbero essere necessarie presine per maneggiare l'utensile.
16. Per ridurre il rischio di incendio nella cavità del forno:
  - a) Non cuocere il cibo per troppo tempo. Prestare attenzione al forno a microonde se carta, plastica o altri materiali combustibili sono inseriti all'interno del forno per facilitare la cottura.
  - b) Rimuovere le fascette metalliche a spirale dai sacchetti prima di metterli nel forno.
  - c) Se i materiali all'interno del forno dovessero prendere fuoco, tenere chiuso lo sportello e spegnere il forno con l'interruttore a parete o interrompere l'alimentazione tramite il pannello dei fusibili o l'interruttore automatico.

## PANNELLO DI CONTROLLO



### DISPLAY

Visualizza le funzioni e l'ora selezionate.


### TASTI

 stop/lock

 start/+30 sec


### MANOPOLA GIREVOLE

 Automenu

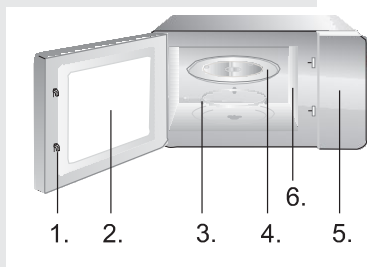
\* Scongellamento

 Microonde

 Orologio

 Tempo

 Peso



1. Sistema di chiusura di sicurezza dello sportello
2. Finestrino del forno
3. Anello del rullo
4. Vassoio in vetro
5. Pannello di controllo
6. Guida d'onda (non rimuovere la piastra in mica che copre la guida d'onda)

# ISTRUZIONI PER L'USO

## 1. PRIMA DELLA COTTURA

Il display si accende quando è collegato all'alimentazione, quindi entra nello stato di standby e il display visualizza 1:00.

## 2. FUNZIONE MICROONDE

Ci sono cinque livelli di potenza, rispettivamente 100P, 80P, 50P, 30P e 10P. Ruotare la manopola superiore per selezionare la potenza del microonde desiderata. Ruotare la manopola inferiore per selezionare il tempo di cottura, l'intervallo di tempo che può essere regolato va da 0:10 a 60:00. Dopo aver selezionato il tempo, premere il pulsante "START/+30s" per avviare l'operazione. Un segnale acustico segnalerà il completamento dell'operazione.

|             |                           |  |
|-------------|---------------------------|--|
| ALTA        | 100% di potenza in uscita | (Applicabile per una cottura rapida e completa)      |
| Medio Alta  | 80% di potenza in uscita  | (Applicabile per una cottura medio-rapida)           |
| Media       | 50% di potenza in uscita  | (Applicabile per la cottura a vapore degli alimenti) |
| Medio Bassa | 30% di potenza in uscita  | (Applicabile per scongelare gli alimenti)            |
| BASSA       | 10% di potenza in uscita  | (Applicabile per riscaldare)                         |

### NOTA:

- Il tempo massimo impostabile è di 60 minuti
- Non azionare mai il forno a vuoto.
- Quando il microonde è alla massima potenza, dopo un certo tempo di cottura il forno ridurrà automaticamente la potenza per prolungare la durata dell'elettrodomestico.
- Se si gira il cibo durante il funzionamento, premere una volta il pulsante START/+30s e la procedura di cottura preimpostata continuerà.
- Se si intende rimuovere il cibo prima dell'ora preimpostata, è necessario premere una volta il pulsante STOP/LOCK per annullare la procedura preimpostata ed evitare l'attivazione involontaria al prossimo utilizzo.

## 3. DEFROST

La funzione di scongelamento si basa sul peso e corrispondente alla visualizzazione "dEF". Ruotare la manopola superiore per selezionare la funzione di scongelamento e sul display viene visualizzato "dEF". Ruotare la manopola inferiore per selezionare il peso del cibo, l'intervallo di peso di dEF va da 100 g a 1500 g. Dopo aver selezionato il peso di scongelamento, premere il pulsante "START/+30s" per avviare l'operazione. Un segnale acustico segnalerà il completamento dell'operazione. La modalità di scongelamento dEF in base al peso emetterà un segnale acustico per segnalare la necessità di girare il cibo durante lo scongelamento.

Di seguito sono riportati alcuni consigli sul tempo di scongelamento degli alimenti:

|     |  |
|-----|--|
| def | Per lo scongelamento, l'intervallo di peso va da 100 g a 1500 g. |
|-----|--|

**NOTA:**

- È necessario che il cibo venga girato durante il funzionamento per ottenere un effetto uniforme.
- Di solito lo scongelamento del cibo richiederà più tempo rispetto alla cottura.
- Quando sarà possibile tagliare il cibo con un coltello, il processo di scongelamento si potrà allora considerare completato.
- Le microonde penetrano per circa 4 cm nella maggior parte degli alimenti.
- Il cibo scongelato deve essere consumato il prima possibile, non è consigliabile rimetterlo in frigorifero e congelarlo di nuovo.

#### 4. OROLOGIO (24 ore)

Ruotare la manopola superiore per selezionare la funzione orologio, premere il pulsante "START/+30s" per più di 3 secondi per accedere all'interfaccia di impostazione dell'orologio. Allo stesso tempo, il display lampeggia in ore. L'ora può essere impostata ruotando la manopola inferiore. Dopo aver impostato l'ora, premere per un breve periodo il pulsante "START/+30s" per passare alla modalità di impostazione dei minuti. I minuti possono essere impostati ruotando la manopola inferiore. Dopo aver impostato i minuti, premere nuovamente il pulsante "START/+30s" per uscire dalla modalità di impostazione.

#### 5. COTTURA AUTOMATICA

Ci sono otto menu automatici A.1~A.8, rispettivamente patate, pasta, pizza, popcorn, verdure, bevande, carne e pesce. Premere la manopola superiore per selezionare la funzione menu, quindi ruotare la manopola inferiore per selezionare il menu desiderato, la schermata del display mostra la corrispondente A.1~A.8 del menu. Dopo aver selezionato il menu, premere il pulsante "START/+30s" per avviare l'operazione. Un segnale acustico segnalerà il completamento dell'operazione.

| Display | Tipo    | Metodo                                       |
|---------|---------|--|
| A.1     | Patate  | Il peso opzionale è di 500 g                 |
| A.2     | Pasta   | Il peso opzionale è di 100 g                 |
| A.3     | Pizza   | Il peso opzionale è di 400 g                 |
| A.4     | Popcorn | Il peso opzionale è di 100 g                 |
| A.5     | Verdure | Il peso opzionale è di 400 g                 |
| A.6     | Bevande | Il peso opzionale è di 1 tazza, circa 250 ml |
| A.7     | Carne   | Il peso opzionale è di 400 g                 |
| A.8     | Pesce   | Il peso opzionale è di 400 g                 |

#### **NOTA:**

a. La temperatura del cibo prima della cottura sarebbe di 20-25°C. Una temperatura più alta o più bassa del cibo prima della cottura richiederebbe un aumento o una diminuzione del tempo di cottura.

b. La temperatura, il peso e la forma degli alimenti influiranno ampiamente sull'effetto della cottura. Se è stata rilevata una deviazione rispetto al fattore indicato nel menu sopra, è possibile regolare il tempo di cottura per ottenere il miglior risultato.

---

#### **6. STOP**

Durante il processo di impostazioni di cottura, è possibile premere il pulsante "STOP" per annullare le impostazioni e tornare allo stato di standby. Durante il processo di funzionamento del forno a microonde, è possibile premere il pulsante "STOP" per mettere in pausa. Nello stato di standby, è possibile premere nuovamente il pulsante "STOP" per annullare la funzione in corso e tornare allo stato di standby.

---

#### **7. START/+30s**

Dopo aver impostato il tempo di cottura o il peso del cibo, premere il pulsante "START/+30s" per avviare immediatamente il forno a microonde. Durante lo stato di funzionamento, è possibile premere il pulsante "START/+30s" per aumentare il tempo, aumentandolo di 30 secondi ad ogni pressione, ma in modalità menu e in modalità di scongelamento in base al peso non è possibile regolare il tempo. In stato di pausa, è possibile premere il pulsante "START/+30s" per riattivare il microonde prima di impostare la modalità di cottura.

---

#### **8. FUNZIONE BLOCCO BAMBINI**

Utilizzare questa funzione per bloccare il pannello di controllo durante la pulizia o in modo che i bambini non possano utilizzare il forno senza sorveglianza. Tutti i pulsanti sono resi inutilizzabili in questa modalità.

1. Imposta blocco: in modalità standby, premere il pulsante "STOP" per più di 3 secondi, la funzione di blocco bambini è bloccata e tutti i pulsanti del forno a microonde non possono essere azionati.
2. Annulla blocco: nello stato di blocco bambini, premere il pulsante "STOP" per più di 3 secondi per annullare la funzione di blocco bambini.

1. Spegnerne il forno e rimuovere la spina di alimentazione dalla presa a muro prima della pulizia.
2. Tenere pulito l'interno del forno. Quando schizzi di cibo o liquidi fuoriusciti aderiscono alle pareti del forno, pulire con un panno umido. Si sconsiglia l'uso di detergenti aggressivi o abrasivi.
3. La superficie esterna del forno deve essere pulita con un panno umido. Per evitare danni alle parti operative all'interno del forno, evitare che l'acqua penetri nelle aperture di ventilazione.
4. Non lasciare che il pannello di controllo si bagni. Pulire con un panno morbido e umido, non utilizzare detergenti, abrasivi o detergenti spray sul pannello di controllo.
5. Se il vapore si accumula all'interno o all'esterno dello sportello del forno, pulire con un panno morbido. Questo può verificarsi quando il forno a microonde viene utilizzato in condizioni di elevata umidità e non implica in alcun modo un malfunzionamento dell'unità.
6. Occasionalmente è necessario rimuovere il vassoio in vetro per la pulizia. Lavare il vassoio con acqua calda e sapone o in lavastoviglie.
7. L'anello girevole e il piano della cavità del forno devono essere puliti regolarmente per evitare rumori eccessivi. È sufficiente pulire la superficie inferiore del forno con un detergente delicato, acqua o detergente per vetri e asciugare. L'anello girevole può essere lavato in acqua leggermente saponata o in lavastoviglie. I vapori di cottura si accumulano durante l'uso ripetuto ma non intaccano in alcun modo la superficie inferiore o le ruote dell'anello girevole. Quando si rimuove l'anello girevole dal piano della cavità per la pulizia, assicurarsi di rimetterlo nella posizione corretta.
8. Eliminare gli odori dal forno mettendo una tazza d'acqua e il succo e la buccia di un limone all'interno di un recipiente profondo adatto al microonde. Tenere in microonde per 5 minuti, pulire accuratamente e asciugare con un panno morbido.

### AMBIENTE

Non gettare l'apparecchio tra i rifiuti domestici normali alla fine del suo ciclo di utilizzo, ma recarsi a un punto di raccolta autorizzato per il riciclo. In questo modo, si contribuirà a salvaguardare l'ambiente.

## INSTALLAZIONE

1. Assicurarsi che tutti i materiali di imballaggio siano stati rimossi dall'interno dello sportello.
2. Ispezionare il forno dopo il disimballaggio per verificare la presenza di eventuali danni visivi  
come:
  - Sportello disallineato
  - Porta danneggiata
  - Ammacature o fori nel finestrino e nello schermo della porta
  - Ammacature nella cavitàSe uno dei precedenti difetti è visibile, NON utilizzare il forno.
3. Questo forno a microonde pesa 10,3 kg e deve essere posizionato su una superficie orizzontale abbastanza resistente da sostenerne il peso.
4. Il forno deve essere posizionato lontano da alte temperature e vapore.
5. NON posizionare nulla sopra il forno.
6. Tenere il forno ad una distanza di almeno 20 cm da entrambe le pareti laterali e 30 cm dalla parete posteriore per garantire la corretta ventilazione.
7. NON rimuovere l'albero di trasmissione del piatto rotante.
8. Come con qualsiasi elettrodomestico, è necessaria una stretta supervisione quando utilizzato da bambini.
9. Assicurarsi che la presa CA sia facilmente accessibile in modo che la spina possa essere rimossa rapidamente in caso di emergenza. In caso contrario, dovrebbe essere possibile scollegare il dispositivo utilizzando un interruttore del circuito. In questo caso, si considerino le disposizioni esistenti delle norme di sicurezza elettrica.  
Il prodotto deve essere installato correttamente su presa con messa a terra  
con alimentazione monofase CA (230 V/50 Hz).  
**ATTENZIONE! QUESTO ELETTRODOMESTICO DEVE ESSERE COLLEGATO ALLA MESSA A TERRA!**
10. Questo forno richiede 1,3 KVA per il suo ingresso. Si consiglia di consultare un tecnico dell'assistenza durante l'installazione del forno.

**ATTENZIONE: questo forno è protetto internamente da un fusibile da 250 V, 8 Amp.**

## SPECIFICHE

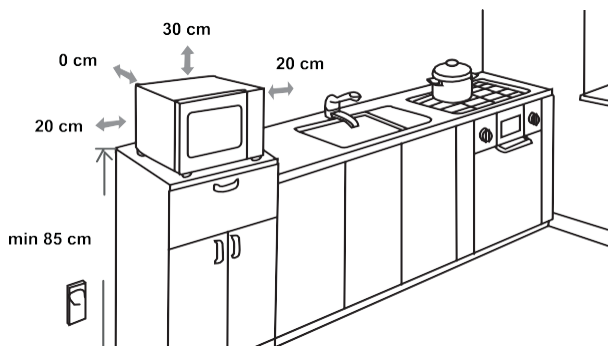
|                           |                                      |
|---------------------------|--------------------------------------|
| Consumo di energia .....  | 220-240 V~50 Hz, 1280 W              |
| Potenza in uscita .....   | 800 W                                |
| Frequenza operativa ..... | 2450 MHz                             |
| Dimensioni esterne: ..... | 454,5 mm(L) x 261 mm(A) x 353 mm(P). |
| Capacità del forno.....   | 20 litri                             |
| Peso senza imballo .....  | Circa 10,3 kg                        |
| Livello di rumore.....    | Lc < 55 dB (A)                       |



Questo elettrodomestico è contrassegnato secondo la direttiva europea 2012/19/UE relativa ai Rifiuti di apparecchiature elettriche ed elettroniche (RAEE).

Tale linea guida rappresenta il quadro di validità europea sulla restituzione e il riciclaggio di rifiuti di apparecchiature elettriche ed elettroniche.

## DIMENSIONI DI MONTAGGIO



## INTERFERENZA RADIO

Il forno a microonde può causare interferenze alla radio, alla TV o ad apparecchiature simili. Quando si verifica un'interferenza, è possibile eliminarla o ridurla con le seguenti procedure.

- Pulire lo sportello e la superficie di tenuta del forno.
- Posizionare la radio, la TV, ecc. il più lontano possibile dal forno a microonde.
- Utilizzare un'antenna installata correttamente per radio, TV, ecc. per ottenere una forte ricezione del segnale.

CI RISERVIAMO IL DIRITTO DI APPORTARE EVENTUALI MODIFICHE CHE NON INFLUISCANO SULLA FUNZIONALITÀ DELL'ELETTRODOMESTICO.

## PRIMA DI CHIAMARE L'ASSISTENZA

1. Se il forno non funziona per niente, le informazioni sul display non vengono visualizzate o il display è scomparso:
  - a) Verificare che il forno sia collegato saldamente alla presa di corrente. In caso contrario, rimuovere la spina dalla presa, attendere 10 secondi e ricollegarla saldamente.
  - b) Controllare i locali per un fusibile del circuito bruciato o un interruttore del circuito principale scattato. Se questi sembrano funzionare correttamente, testare la presa con un altro elettrodomestico.
2. Se l'alimentazione del microonde non funziona:
  - a) Verificare se il timer è impostato.
  - b) Verificare che lo sportello sia chiuso saldamente per attivare gli interblocchi di sicurezza. In caso contrario, l'energia a microonde non fluirà nel forno.  
**Se nessuna delle precedenti soluzioni risolve la situazione, contattare l'agente di assistenza autorizzato più vicino.**

**L'elettrodomestico è destinato all'uso domestico per il riscaldamento di cibi e bevande utilizzando energia elettromagnetica; solo per uso interno.**

## GARANZIA E ASSISTENZA

Per maggiori informazioni o in caso di problemi, contattare il Centro di assistenza clienti Gorenje del proprio Paese (il numero di telefono è riportato nell'opuscolo di garanzia mondiale). Qualora non esistesse un centro di assistenza clienti nel proprio Paese, rivolgersi al rivenditore Gorenje locale o contattare il servizio assistenza degli elettrodomestici Gorenje.

### **Solo per uso personale!**

Ulteriori indicazioni per cucinare con il microonde e consigli utili sono disponibili sul sito web:

<http://www.gorenje.com>

**TI AUGURIAMO UN PIACEVOLE UTILIZZO DEL TUO  
ELETTRODOMESTICO**

# **gorenje**

**POŠTOVANI KUPCI**

Iskreno Vam zahvaljujemo na kupnji. Vjerujemo da ćete uskoro pronaći dovoljno dokaza da se zaista možete osloniti na naše proizvode. Za lakše rukovanje uređajem prilažemo ove opsežne upute za uporabu.

Upute bi Vam trebale pomoći u upoznavanju s Vašim novim uređajem. Molimo Vas da prije prve uporabe pažljivo pročitate ove upute.

Najprije provjerite jeste li primili neoštećen uređaj. Uočite li oštećenja nastala tijekom transporta, obratite se svojem prodavaču ili regionalnom skladištu iz kojeg je proizvod isporučen. Telefonski broj pronaći ćete na računu ili dostavnici.

Želimo Vam puno zadovoljstva s Vašim novim kućanskim aparatom.



Uređaj je namijenjen uporabi u kućanstvu, za zagrijavanje hrane i pića pomoću elektromagnetske energije, isključivo za uporabu u zatvorenom prostoru.

**UPUTE ZA UPORABU**

Ove upute namijenjene su korisniku.

Opisuju aparat i kako ga upotrebljavati. Također se primjenjuju na različite vrste uređaja, stoga možete pronaći neke opise funkcija koji se možda ne odnose na vaš uređaj.



Nikada ne dodirujte površine uređaja za grijanje ili kuhanje. Tijekom rada će postati veoma vruće. Držite djecu na sigurnoj udaljenosti. Postoji opasnost od opekлина!



Mikrovalno zračenje i visoki napon! Ne odstranjajte poklopac.

**UPOZORENJE!** Uređaj i njegovi dostupni dijelovi postaju vrući tijekom uporabe. Budite oprezni kako ne biste dodirivali vruće elemente. Djeca mlađa od osam godina trebaju biti čitavo vrijeme pod nadzorom. Djecu uvijek nadzirite i nemojte im dozvoliti da se igraju uređajem.

Djeca starija od osam godina, kao i osobe smanjenih fizičkih, osjetilnih ili umnih sposobnosti ili osobe s nedostatkom znanja i iskustva, smiju upotrebljavati uređaj isključivo pod odgovarajućim nadzorom, odnosno ako su upoznate sa sigurnom uporabom uređaja te ako su svjesni potencijalnih opasnosti. Djeca se ne smiju igrati s uređajem. Čišćenje i održavanje koje provodi korisnik ne smije biti prepušteno djeci, osim ako nisu starija od 8 godina i pod nadzorom.

Aparat i kabel držite izvan dosega djece mlađe od 8 godina.

- **UPOZORENJE:** Ukoliko uređaj djeluje u kombiniranom načinu, djeca smiju koristiti pećnicu samo pod nadzorom odrasle osobe zbog nastalih visokih temperatura; (samo za modele s funkcijom roštilja).

- **UPOZORENJE:** Ako su vrata ili brtve vrata oštećene, pećnica se ne smije upotrebljavati sve dok ju ne popravi stručna osoba.
- **UPOZORENJE:** opasan je svaki popravak ili servis koji izvršava bilo koja druga osoba osim ovlaštenog servisera, a pri kojem je potrebno odstraniti poklopac za zaštitu od mikrovalnog zračenja.
- **UPOZORENJE:** tekućine i druge namirnice ne smiju se zagrijavati u zatvorenim posudama jer mogu eksplodirati.
- Djecu uvijek valja nadzirati kako bi se osiguralo da se ne igraju uređajem.
- Ne odstranjujte nogice (postolja) pećnice; ne pokrivajte odvod za prozračivanje.
- Upotrebljavajte samo posuđe prikladno za uporabu u mikrovalnim pećnicama.
- Ako zagrijavate hranu u plastičnim ili papirnatim posudama, nadzirite pećnicu zbog mogućnosti zapaljenja.
- Ako primijetite dim, isključite ili iskopčajte uređaj iz električne mreže i držite vrata zatvorenima kako biste zagušili mogući plamen;
- Zagrijavanje pića u mikrovalnoj pećnici može dovesti do odgođenog eruptivnog ključanja, stoga je potreban oprez pri rukovanju spremnikom;
- Sadržaj bočica za hranjenje i staklenki s dječjom hranom treba promiješati ili protresti, a prije konzumacije provjeriti temperaturu kako bi se izbjegle opekline;
- Jaja u ljusci i cijela tvrdo kuhana jaja ne smiju se zagrijavati u mikrovalnim pećnicama jer mogu eksplodirati, čak i nakon završetka mikrovalnog zagrijavanja;

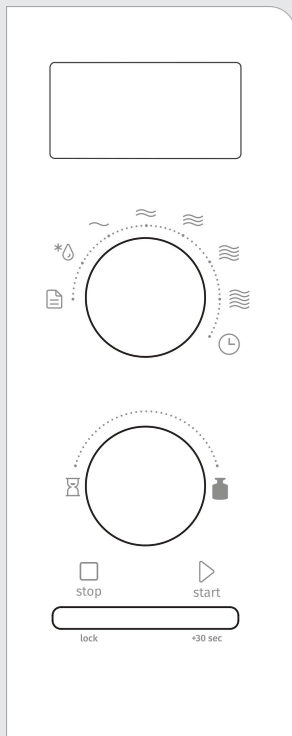
- Kada čistite površine vrata, brtve i/ili unutrašnjost pećnice, upotrebljavajte samo blaga neabrazivna sredstva za čišćenje te ih nanesite spužvom ili mekom krpom.
- Pećnicu treba redovito čistiti i uklanjati sve naslage hrane;
- Ako pećnicu ne održavate čistom, može se oštetiti površina, što može negativno utjecati na životni vijek uređaja i dovesti do opasne situacije;
- Ako je priključni kabel oštećen, treba ga zamijeniti proizvođač, njegov serviser ili neka druga slično osposobljena osoba, kako bi se izbjegle moguće opasnosti..
- Ne dopustite da kabel visi preko ruba stola ili radne površine
- Kako biste izbjegli opasne situacije, uređaj nikada nemojte spajati na vanjski prekidač s vremenskom sklopkom ili sustav daljinskog upravljanja.
- Nikada nemojte mijenjati žarulju unutar pećnice. Uvijek je treba zamijeniti serviser Gorenja.
- Nemojte čistiti uređaj parnim čistačima, visokotlačnim čistačima, oštrim predmetima, abrazivnim sredstvima za čišćenje, abrazivnim spužvama i sredstvima za uklanjanje mrlja.

U nastavku su navedena određena pravila i zaštitne mjere kojih se, jednako kao i kod ostalih uređaja, treba pridržavati kako bi se osigurala vrhunska učinkovitost ove pećnice:

1. Dok pećnica radi, stakleni pladanj, ručice valjka, sklopka i utor za valjak trebaju biti na svom mjestu.
2. Pećnicu nemojte upotrebljavati ni iz kojeg drugog razloga osim za pripremu hrane, primjerice za sušenje odjeće, papira ili bilo kojeg drugog neprehrambenog proizvoda ili za sterilizaciju.
3. Nemojte uključivati pećnicu kada je prazna. To bi moglo oštetiti pećnicu.
4. Ne upotrebljavajte unutrašnjost pećnice za pohranu bilo kakvih predmeta, kao što su papiri, kuharice itd.
5. Nemojte kuhati hranu koja ima membranu, kao što su žumanjci, krumpir, pileća jetrica itd., a da je prethodno nekoliko puta ne probodete vilicom.
6. Nemojte umetati nikakve predmete u otvore s vanjske strane pećnice.
7. Ne odstranjujte dijelove iz/sa pećnice, kao što su nožice (postolja), spojnice, vijci itd.
8. Ne kuhajte hranu izravno na staklenom pladnju. Stavite hranu u/na odgovarajući pribor za kuhanje prije stavljanja u pećnicu. **VAŽNO - POSUĐE ZA KUHANJE KOJE SE NE UPOTREBLJAVA U MIKROVALNOJ PEĆNICI**
  - Nemojte upotrebljavati metalno posuđe ili posuđe s metalnim ručkama.
  - Nemojte upotrebljavati ništa s metalnim ukrasima.
  - Nemojte upotrebljavati papirom prekrivenu žicu za zatvaranje plastičnih vrećica.
  - Nemojte upotrebljavati posuđe od melamina jer sadržava materijal koji će apsorbirati mikrovalnu energiju. To može uzrokovati pucanje ili karbonizaciju posuđa i usporiti brzinu pripreme hrane.
  - Nemojte upotrebljavati Centura posuđe. Premaz (posuđe s premazom) nije prikladan za upotrebu u mikrovalnoj pećnici. Corelle Livingware zatvorene šalice s ručkom ne smiju se upotrebljavati.
  - Nemojte kuhati u posudi sa suženim otvorom, kao što je boca od soka ili zatvorena boca za ulje jer se mogu raspuknuti ako se zagrijavaju u mikrovalnoj pećnici.
  - Nemojte upotrebljavati obične termometre za meso ili slatkiše.
  - Upotrijebiti možete samo termometre koji su namijenjeni isključivo pripremi hrane u mikrovalnoj pećnici. Oni se mogu upotrebljavati.
9. Pomagala za mikrovalnu pećnicu mogu se koristiti samo u skladu s uputama proizvođača.
10. Ne pokušavajte pržiti hranu u ovoj pećnici.
11. Imajte na umu da mikrovalna pećnica zagrijava samo tekućinu u posudi, a ne samu posudu.

Stoga, iako poklopac posude nije vruć na dodir kad ga izvadite iz pećnice, imajte na umu da će hrana/tekućina u njemu ispuštati istu količinu pare i/ili kapljica kada se poklopac ukloni kao kod uobičajenog kuhanja.

12. Uvijek sami testirajte temperaturu kuhane hrane, osobito ako zagrijavate ili kuhate hranu/tekućinu za bebe. Preporučujemo da nikada ne konzumirate hranu/tekućinu izravno iz pećnice, već ostavite da odstoji nekoliko minuta te promiješate hranu/tekućinu kako bi se toplina ravnomjerno rasporedila.
13. Hrana koja sadržava mješavinu masti i vode, npr. temeljac, treba stajati 30 – 60 sekundi u pećnici nakon što je isključena. Tako ćete omogućiti da se mješavina slegne te ćete spriječiti izlazak mjehurića kada u hranu/tekućinu stavite žlicu ili ubacite kocku.
14. Pri pripremi/kuhanju hrane/tekućine imajte na umu da se neke namirnice, npr. božićni puding, marmelada ili mljeveno meso, vrlo brzo zagrijavaju. Prilikom zagrijavanja ili kuhanja hrane s visokim udjelom masti ili šećera nemojte upotrebljavati plastične posude.
15. Pomagala za kuhanje mogu se zagrijati jer hrana otpušta toplinu. Naročito ako su vrh posude i ručke prekriveni plastičnom prevlakom. Za rukovanje priborom mogu biti potrebne rukavice za kuhanje.
16. Da biste smanjili rizik od požara u pećnici:
  - a) Nemojte prekuhati hranu. Pažljivo nadzirite proces zagrijavanja ako unutar pećnice stavite papir, plastiku ili druge zapaljive materijale kako bi se olakšala priprema hrane.
  - b) Odstranite žicu za zatvaranje vrećica prije nego što ih stavite u pećnicu.
  - c) Ako se materijali unutar pećnice zapale, držite vrata pećnice zatvorena, isključite pećnicu iz električne mreže ili isključite glavni osigurač na ploči s osiguračima.



## ZASLON


Prikazuje odabrane funkcije i vrijeme.

## TIPKE

 stop/lock

 start/+30 sec

## OKRETNI KOTAČIĆ


 Automatski izbornik

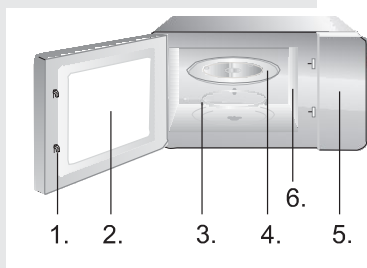
\* Odmrzavanje

 Mikrovalovi

 Sat

 Vrijeme

 Težina



1. Sustav za sigurnosno zaključavanje vrata
2. Prozor pećnice
3. Ležajni obruč
4. Stakleni pladanj
5. Upravljačka ploča
6. Valvod (ne skidajte pločicu od tinjca koja pokriva valvod)

## 1. PRIJE KUHANJA

Zaslon svijetli kad je priključen na napajanje, a zatim ulazi u stanje pripravnosti i prikazuje 1:00.

## 2. FUNKCIJA MIKROVALOVA

Postoji pet razina jačine navedenim redoslijedom: 100 P, 80 P, 50 P, 30 P i 10 P. Okrenite kotačić iznad za odabir željene snage mikrovalne pećnice. Okrenite kotačić ispod za odabir vremena kuhanja, vremenski raspon koji možete regulirati je od 0:10 do 60:00. Nakon odabira vremena, pritisnite tipku "START/+30s." za početak rada. Zvučni signal obavještava o završetku rada.

|                |                     |  |
|----------------|---------------------|--|
| VISOKO         | 100 % izlazne snage | (Primjenjivo za brzo i temeljito kuhanje)  |
| Srednje visoko | 80 % izlazne snage  | (Primjenjivo za srednje ekspresno kuhanje) |
| Srednje        | 50 % izlazne snage  | (Primjenjivo za kuhanje hrane na pari)     |
| Srednje nisko  | 30 % izlazne snage  | (Primjenjivo za odmrzavanje hrane)         |
| NISKO          | 10 % izlazne snage  | (Primjenjivo za održavanje topline)        |

### NAPOMENA:

- Najdulje vrijeme koje se može podesiti je 60 minuta
- Pećnicu nikad ne upotrebljavajte praznu.
- Pri najvećoj snazi mikrovalova pećnica će automatski smanjiti snagu nakon određenog vremena kuhanja kako bi se produljio radni vijek.
- Okrenete li hranu tijekom rada, pritisnite jedanput tipku START/+30s i nastavit će se unaprijed postavljeni postupak kuhanja.
- Namjeravate li izvaditi hranu prije unaprijed postavljenog vremena, trebete jedanput pritisnuti tipku ZAUSTAVI/ZAKLJUČAJ za poništavanje unaprijed postavljenog postupka kako biste izbjegli neželjeni rad pri sljedećoj uporabi.

## 3. ODMRZAVANJE

Funkcija odmrzavanja je odmrzavanje po težini i odgovara prikazu "dEF". Okrenite kotačić iznad za odabir funkcije odmrzavanja i na zaslonu će se prikazati "dEF". Okrenite kotačić ispod za odabir težine hrane, raspon težine hrane za odmrzavanje je od 100 g do 1500 g. Nakon odabira težine hrane za odmrzavanje, pritisnite tipku "START/+30s" za početak rada. Zvučni signal obavještava o završetku rada. Tijekom načina odmrzavanja po težini oglasit će se zvučni signal kako bi vas podsjetio da preokrenete hranu.

U nastavku je nekoliko savjeta o vremenu odmrzavanja hrane:

|     |  |
|-----|--|
| dEF | Za odmrzavanje, raspon težine je od 100 g do 1500 g. |
|-----|--|

**NAPOMENA:**

- Hranu je potrebno okrenuti tijekom odmrzavanja za ujednačen učinak.
- Za odmrzavanje je uobičajeno potrebno više vremena nego za kuhanje.
- Ako se hrana može rezati nožem, odmrzavanje se može smatrati završenim.
- Mikrovalovi prodiru oko 4 cm u većinu namirnica
- Odmrznutu hranu treba konzumirati što je prije moguće i ne savjetuje se vraćanje u hladnjak i ponovno zamrzavanje.

#### 4. SAT (24-satni sat)

Okrenite kotačić iznad za odabir funkcije sata, pritisnite tipku "START/+30s" na više od 3 sekunde za ulazak u sučelje za podešavanje sata. Istodobno, na zaslonu trepere sati. Sat se može podesiti okretanjem kotačića ispod. Nakon podešavanja sata, kratko pritisnite tipku "START/+30s" kako biste se prebacili na podešavanje minuta. Minute se mogu podesiti okretanjem kotačića ispod. Nakon podešavanja minuta, ponovno pritisnite tipku "START/+30s" za izlaz iz načina podešavanja.

#### 5. AUTOMATSKO KUHANJE

Postoji osam automatskih izbornika A.1~A.8, krumpir, tjestenina, pizza, kokice, povrće, piće, meso i riba. Pritisnite kotačić iznad za odabir funkcije izbornika, zatim zakrenite kotačić ispod za odabir željenog izbornika, izbornik prikazuje odgovarajući A.1~A.8 izbornika. Nakon odabira izbornika, pritisnite tipku "START/+30s" za početak rada. Zvučni signal obavještava o završetku rada.

| Zaslon | Vrsta      | Metoda                                    |
|--------|------------|---|
| A.1    | Krumpir    | Opcionalna težina je 500 g                |
| A.2    | Tjestenina | Opcionalna težina je 100 g                |
| A.3    | Pizza      | Opcionalna težina je 400 g                |
| A.4    | Kokice     | Opcionalna težina je 100 g                |
| A.5    | Povrće     | Opcionalna težina je 400 g                |
| A.6    | Piće       | Opcionalna težina je 1 šalica, oko 250 ml |
| A.7    | Meso       | Opcionalna težina je 400 g                |
| A.8    | Riba       | Opcionalna težina je 400 g                |

#### **NAPOMENA:**

- a. Temperatura hrane prije kuhanja trebala bi biti 20 - 25 °C. Viša ili niža temperatura hrane prije kuhanja zahtijevat će povećanje ili smanjenje vremena kuhanja.
- b. Temperatura, težina i oblik hrane uvelike će utjecati na ishod kuhanja. Ako se utvrdi bilo kakvo odstupanje od čimbenika navedenih u gornjem izborniku, prilagodite vrijeme kuhanja kako biste postigli najbolji rezultat.

---

#### **6. STOP**

U postupku podešavanja kuhanja možete pritisnuti tipku "STOP" za poništenje postavki i povratak u stanje pripravnosti. Tijekom rada mikrovalne pećnice možete pritisnuti tipku "STOP" za pauzu. U stanju pripravnosti možete ponovno pritisnuti tipku "STOP" za poništenje funkcije i povratak u stanje pripravnosti.

---

#### **7. START/ +30s**

Nakon podešavanja vremena kuhanja ili težine namirnica, pritisnite tipku "START/+30s" kako biste odmah pokrenuli mikrovalnu pećnicu. Tijekom rada pećnice možete pritisnuti tipku "START/+30s" za povećanje vremena, pritisnite jednom za povećanje za 30 sekundi, ali način izbornika i način odmrzavanja težine ne mogu podesiti vrijeme. Tijekom pauze možete pritisnuti tipku "START/+30s" za nastavak rada mikrovalne pećnice prije načina kuhanja.

Pomoću ove značajke zaključajte upravljačku ploču dok čistite pećnicu ili kako djeca ne bi mogla upotrebljavati pećnicu bez nadzora. U ovom načinu rada sve su tipke onemogućene.

---

#### **8. FUNKCIJA BLOKADE ZA DJECU**

1. Podesite zaključavanje: U stanju pripravnosti pritisnite tipku "STOP" na više od 3 sekunde, funkcija blokade za djecu je zaključana i ne mogu se koristiti tipke mikrovalne pećnice.
2. Otkazite zaključavanje: U stanju blokade za djecu pritisnite tipku "STOP" na više od 3 sekunde kako biste poništili funkciju blokade za djecu.

1. Prije čišćenja isključite pećnicu i odspojite kabel za napajanje.
2. Održavajte unutrašnjost pećnice čistom. Kada se prosuta hrana ili prolivena tekućina zalijepi po stijenkama pećnice, obrišite je vlažnom krpom. Ne preporučuje se uporaba jakih deterdženata ili abraziva.
3. Vanjske površine pećnice čistite vlažnom krpom. Kako biste spriječili oštećenje dijelova unutar pećnice, ne smije se dopustiti da voda curi u ventilacijske otvore.
4. Nemojte dopustiti da upravljačka ploča postane mokra. Očistite mekom, vlažnom krpom. Nemojte upotrebljavati deterdžente, abrazivna sredstva ili sredstva za čišćenje u spreju na upravljačkoj ploči.
5. Ako se para nakuplja unutar ili oko vrata pećnice, obrišite je mekom krpom. To se može dogoditi kada mikrovalna pećnica radi u vlažnom okruženju i ne predstavlja nikakvu grešku u radu pećnice.
6. Ponekad je potrebno ukloniti stakleni pladanj kako biste ga očistili. Operite pladanj u toploj vodi s malo deterdženta ili u perilici posuđa.
7. Ležajni obruč i dno pećnice potrebno je redovito čistiti kako bi se izbjegla prekomjerna buka. Jednostavno obrišite donju površinu pećnice blagim deterdžentom, vodom ili sredstvom za čišćenje stakla i osušite. Ležajni obruč može se oprati blagom sapunicom ili u perilici posuđa. Pare od kuhanja nakupljaju se tijekom uporabe, ali ni na koji način ne utječu na donju površinu ili kotačiće ležajnog obruča. Prilikom uklanjanja ležajnog obruča s dna pećnice radi čišćenja, pazite da ga vratite u odgovarajući položaj.
8. Za uklanjanje mirisa iz pećnice stavite u duboku zdjelicu šalicu vode sa sokom i korom limuna. Posudu stavite u mikrovalnu pećnicu 5 minuta, unutrašnjost pećnice dobro obrišite i osušite mekom krpom.

### ZAŠTITA OKOLIŠA

Dotrajali uređaj nemojte bacati s normalnim otpadom iz kućanstva, već ga predajte na službenom sabirnom mjestu za recikliranje. Na taj način pomažete očuvanju okoliša.

## UGRADNJA

1. Provjerite je li sav materijal za pakiranje uklonjen iz unutrašnjosti pećnice.
2. Nakon što odstranite ambalažu, pregledajte ima li na pećnici vidljivih oštećenja, kao što su:
  - Pogrešno postavljena vrata
  - Oštećena vrata
  - Ulegnuća ili rupe na staklu vrata ili zaslonu
  - Ulegnuća u unutrašnjosti pećniceAko opazite bilo koje od gore navedenih oštećenja, NE upotrebljavajte pećnicu.
3. Ova mikrovalna pećnica teži 10,3 kg i treba se postaviti na vodoravnu površinu dovoljno čvrstu da izdrži težinu pećnice.
4. Pećnicu udaljite od izvora visoke temperature i pare.
5. NEMOJTE stavljati nikakve predmete na pećnicu.
6. Pećnicu držite najmanje 20 cm od obje bočne stijenke i 30 cm udaljenu od stražnje stijenke kako bi se osigurala ispravna ventilacija.
7. NE skidajte vodilice okretnog pladnja.
8. Kao i kod svakog uređaja, potreban je pomni nadzor kada ga koriste djeca.
9. Provjerite je li izlaz za izmjeničnu struju lako dostupan tako da se utikač može brzo ukloniti u hitnim slučajevima. U suprotnom bi trebalo biti moguće isključiti uređaj iz električne mreže pomoću prekidača. U tom slučaju, treba imati na umu postojeće odredbe standarda električne sigurnosti.  
Proizvod treba biti pravilno priključen na uzemljenu utičnicu s jednofaznom izmjeničnom strujom (230 V/50 Hz).  
**UPOZORENJE! OVAJ UREĐAJ TREBA BITI UZEMLJEN!**
10. Ova pećnica zahtijeva 1,3 KVA. U vezi s napajanjem posavjetujte se sa serviserom prilikom postavljanja pećnice.

**OPREZ: pećnica je iznutra zaštićena osiguračem od 250 V, 8 A.**

## SPECIFIKACIJE

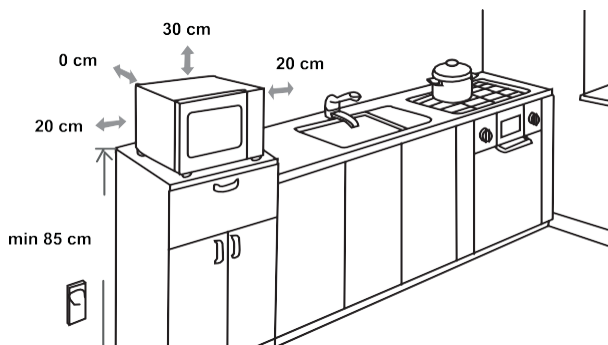
|                         |                                     |
|-------------------------|-------------------------------------|
| Potrošnja energije..... | 220 - 240 V~50 Hz, 1280 W           |
| Izlazna snaga .....     | 800 W                               |
| Radna frekvencija ..... | 2450 MHz                            |
| Vanjske dimenzije.....  | 454,5 mm(Š) x 261mm (V) x 353 mm(D) |
| Kapacitet pećnice.....  | 20 litara                           |
| Neocjenjena težina..... | pribl. 10,3 kg                      |
| Razina buke.....        | Lc < 55 dB (A)                      |



Ovaj uređaj označen je u skladu s europskom smjernicom 2012/19/EU o otpadnim električnim i elektroničkim uređajima (WEEE).

Smjernica određuje okvir za povratak i zbrinjavanje otpadnih uređaja koji vrijedi u cijeloj Europskoj uniji.

## DIMENZIJE ZA UGRADNJU



## RADIJSKE SMETNJE

Mikrovalna pećnica može prouzročiti smetnje Vašem radiju, TV prijamniku ili sličnoj opremi. Ukoliko dođe do smetnji, moguće ih je otkloniti ili smanjiti nekim od sljedećih načina.

- Očistite vrata i brtvene površine pećnice.
- Postavite radio, TV prijamnik itd. što dalje od mikrovalne pećnice.
- Upotrijebite ispravno instaliranu antenu za Vaš radio, TV, itd. kako biste dobili snažan prijem signala.

ZADRŽAVAMO PRAVO NA IZMJENE KOJE NE UTJEČU NA FUNKCIONALNOST UREĐAJA.

## PRIJE NEGO ŠTO POZOVETE SERVIS

1. Ako pećnica uopće ne radi, informacije na zaslonu ne pojavljuju se ili je zaslon ugašen:
  - a) Provjerite je li pećnica ispravno priključena na električnu mrežu. Ako nije, izvucite utikač iz utičnice, te nakon 10 sekundi ponovno ga uključite.
  - b) Provjerite je li na električnim instalacijama pregorio osigurač ili je isključen glavni prekidač. Ako se čini da rade ispravno, testirajte utičnicu pomoću drugog uređaja.
2. Ako mikrovalna pećnica ne radi:
  - a) Provjerite je li postavljen vremenski program.
  - b) Provjerite jesu li vrata dobro zatvorena i sigurnosna brava zaključana. U suprotnom, mikrovalna energija neće strujati u pećnici.  
**Ako ništa od navedenog ne popravi situaciju, obratite se najbližem ovlaštenom servisu.**

**Uređaj je namijenjen uporabi u kućanstvu, za zagrijavanje hrane i pića pomoću elektromagnetske energije, isključivo za uporabu u zatvorenom prostoru.**

## JAMSTVO I USLUGA

Ako trebate informacije ili u slučaju problema, obratite se Centru za korisničku podršku tvrtke Gorenje u vašoj zemlji (broj telefona možete pronaći u međunarodnom jamstvenom listu). Ako u vašoj zemlji ne postoji Centar za korisničku podršku, obratite se lokalnom prodavaču proizvoda Gorenje ili kontaktirajte servisnu službu odjela kućanskih aparata tvrtke Gorenje.

### **Samo za osobnu uporabu!**

Dodatne preporuke za kuhanje s mikrovalovima te korisne savjete možete pronaći na internetskoj stranici:

<http://www.gorenje.com>

**ŽELIMO VAM MNOGO ZADOVOLJSTVA PRI UPORABI VAŠEG UREĐAJA**

# gorenje

**CHÈR(E) CLIENT(E)**

Nous vous remercions sincèrement pour votre achat. Nous sommes convaincus que vous aurez bientôt de nombreuses raisons de faire réellement confiance à nos produits. Pour faciliter l'utilisation de l'appareil, nous mettons à votre disposition ce manuel d'instructions détaillé.

Les instructions vous aideront à vous familiariser avec votre nouvel appareil. Veuillez les lire attentivement avant d'utiliser l'appareil pour la première fois.

Dans tous les cas, assurez-vous que l'appareil vous a été livré en bon état. Si vous constatez des dommages liés au transport, contactez votre représentant commercial ou l'entrepôt régional d'où le produit a été livré. Vous trouverez le numéro de téléphone correspondant sur le reçu ou dans le rapport de livraison.

Nous vous souhaitons beaucoup de plaisir avec votre nouvel appareil électroménager.



L'appareil est destiné à un usage domestique, pour chauffer des aliments et des boissons grâce à l'énergie électromagnétique, et est réservé à un usage intérieur.

**MODE D'EMPLOI**

Ces instructions sont rédigées à l'intention de l'utilisateur. Elles décrivent le four à micro-ondes et comment l'utiliser. Elles s'appliquent également à différents types d'appareils, vous pourriez donc y trouver des descriptions de fonctions qui ne s'appliquent pas à votre appareil en particulier.



Ne touchez jamais les surfaces des appareils de chauffage ou de cuisson. Elles chaufferont en cours de fonctionnement. Maintenez les enfants à bonne distance de l'appareil, pour garantir leur sécurité. Ils risquent en effet de se brûler !



Énergie de micro-ondes et haute tension !  
Ne retirez pas la plaque mica.

**ATTENTION !** L'appareil et ses parties accessibles chauffent au cours de l'utilisation. Il faut être prudent et éviter de toucher les éléments chauffants. Maintenez les enfants de moins de 8 ans à l'écart de l'appareil, sauf si vous les avez en permanence sous votre surveillance. Surveillez les enfants pour vous assurer qu'ils ne jouent pas avec l'appareil.

Cet appareil peut être utilisé par des enfants âgés de 8 ans et plus et des personnes ayant des capacités physiques, sensorielles ou mentales réduites ou un manque d'expérience et de connaissances si elles sont surveillées ou si elles ont reçu les instructions garantissant l'utilisation de l'appareil de façon sûre, et comprennent les risques encourus. Les enfants ne doivent en aucun cas jouer avec l'appareil. L'appareil ne peut être nettoyé ou entretenu par des enfants, sauf s'ils ont plus de 8 ans et sont surveillés.

Gardez l'appareil ainsi que son cordon d'alimentation hors de la portée des enfants de moins de 8 ans.

- **ATTENTION :** lorsque l'appareil est utilisé en mode combiné, les enfants ne devraient utiliser le four que sous la surveillance d'un adulte, en raison des températures générées (uniquement pour le modèle avec fonction gril).

- **ATTENTION** : si la porte ou les joints de la porte sont endommagés, le four ne peut être utilisé qu'après avoir été réparé par une personne compétente.
- **AVERTISSEMENT** : il est dangereux pour toute personne non compétente d'effectuer une opération d'entretien ou de réparation impliquant le retrait d'une plaque mica qui fournit une protection contre l'exposition à l'énergie micro-ondes.
- **AVERTISSEMENT** : les liquides et autres aliments ne peuvent pas être chauffés dans des récipients scellés car ils sont susceptibles d'exploser.
- Surveillez les enfants et veillez à ce qu'ils ne jouent pas avec l'appareil.
- Ne retirez pas les pieds du four ; ne bloquez pas les arrivées d'air du four.
- Servez-vous uniquement d'ustensiles adaptés aux fours à micro-ondes.
- Si vous chauffez des denrées alimentaires dans des récipients en plastique ou en papier, gardez un œil sur le four car des flammes peuvent survenir.
- Si vous constatez de la fumée, éteignez ou débranchez l'appareil et gardez la porte fermée pour étouffer les flammes éventuelles.
- Le chauffage de boissons au micro-ondes peut entraîner une ébullition éruptive de manière différée. Le récipient doit donc être manipulé avec prudence.
- Le contenu des biberons et bocaux pour bébés doivent être agités ou secoués et leur température doit être contrôlée avant la consommation pour éviter les brûlures.
- Ne chauffez pas d'œufs avec leur coquille ni d'œufs durs entiers dans un four à micro-ondes car ils peuvent exploser, parfois même après l'arrêt du four à micro-ondes.

- Lorsque vous nettoyez les surfaces de la porte, des joints de porte ou du four, utilisez exclusivement des savons doux et non abrasifs ou des détergents appliqués avec une éponge ou un chiffon doux.
- Le four doit être nettoyé régulièrement et tout dépôt d'aliments doit être retiré.
- Le fait de ne pas maintenir le four dans un état de propreté pourrait entraîner une détérioration de la surface susceptible de limiter la durée de vie de l'appareil et, éventuellement, de provoquer une situation dangereuse.
- Si le cordon d'alimentation est endommagé, faites-le remplacer par le fabricant, son technicien du service après-vente, ou toute autre personne à qualification similaire, afin d'éviter tout risque éventuel.
- Ne laissez pas le cordon pendre sur le bord de la table ou le plan de travail.
- Ne connectez jamais cet appareil à une minuterie externe ou à un système de télécommande, pour éviter toute situation dangereuse.
- Ne remplacez jamais l'ampoule située à l'intérieur du four. Elle doit toujours être remplacée par le service de Gorenje.
- Ne nettoyez pas l'appareil avec des nettoyeurs à vapeur, des nettoyeurs à haute pression, des objets pointus, des produits de nettoyage abrasifs, des éponges abrasives ou des détachants.

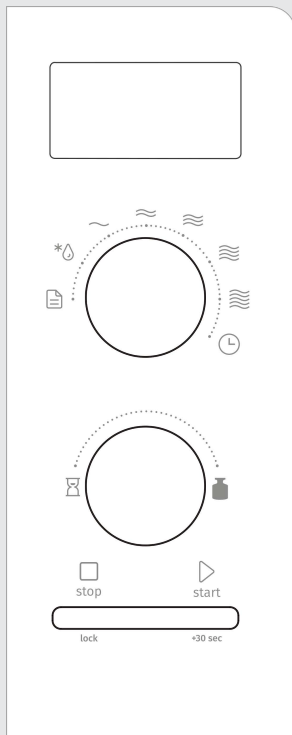
Comme pour tous les appareils, vous trouverez ci-dessous quelques règles à suivre et mesures de protection à adopter pour que le four reste ultra performant :

1. Lorsque vous utilisez le four, veillez toujours à ce que le plateau en verre, les bras à roulettes, le couplage et le rail à roulettes soient bien en place.
2. N'utilisez pas le four pour une raison autre que la préparation des aliments, comme pour sécher des vêtements, du papier ou tout autre article non alimentaire, ou à des fins de stérilisation.
3. N'utilisez pas le four lorsqu'il est vide. Cela pourrait l'endommager.
4. N'utilisez pas la cavité du four pour stocker tout type d'objets comme du papier, des livres de cuisine, etc.
5. Ne faites pas cuire d'aliments entourés d'une membrane, comme les jaunes d'œufs, les pommes de terre, le foie de poulet, etc. sans les avoir au préalable percés plusieurs fois avec une fourchette.
6. N'insérez aucun objet dans les ouvertures du boîtier extérieur.
7. Ne retirez jamais du four des éléments comme les pieds, le couplage, les vis, etc.
8. Ne faites pas cuire les aliments directement sur le plateau en verre. Placez les aliments dans/sur un ustensile de cuisson approprié avant de les mettre au four. **IMPORTANT : USTENSILES DE CUISINE À NE PAS UTILISER DANS VOTRE FOUR À MICRO-ONDES**
  - N'utilisez pas de casseroles en métal ou de plats à poignées métalliques.
  - N'utilisez aucun objet à bordure métallique.
  - N'utilisez pas d'attaches métalliques recouvertes de papier sur les sacs en plastique.
  - N'utilisez pas de plats en mélamine car ils contiennent un matériau qui absorbe l'énergie des micro-ondes. Les plats peuvent se fendre ou se calciner, et le processus de cuisson sera alors ralenti.
  - N'utilisez pas de vaisselle Centura. Le glaçage ne convient pas pour une utilisation au micro-ondes. Les tasses à poignée fermée Corelle Livingware sont à éviter.
  - Ne cuisez pas dans un récipient à ouverture restreinte, comme une bouteille de soda ou une bouteille d'huile scellée, car ces récipients peuvent exploser lorsqu'ils sont chauffés au micro-ondes.
  - N'utilisez pas de thermomètres à viande ou à bonbons conventionnels.
  - Il existe des thermomètres spécifiques pour la cuisson au micro-ondes. Ceux-ci peuvent être utilisés.
9. Les ustensiles pour micro-ondes ne devraient être utilisés qu'en suivant les consignes du fabricant.
10. N'essayez pas de faire frire des aliments dans ce four.
11. N'oubliez pas qu'un four à micro-ondes ne chauffe que le liquide présent dans le récipient, et non le récipient lui-même.

Par conséquent, même si le couvercle d'un récipient n'est pas chaud au toucher lorsqu'il est retiré du four, rappelez-vous que la nourriture/le liquide à l'intérieur produira la même quantité de vapeur et/ou d'éclaboussures lorsque le couvercle est retiré que lors d'une cuisson classique.

12. Testez toujours vous-même la température des aliments cuits, surtout si vous chauffez ou cuisez des aliments/liquides pour bébés. Il est conseillé de ne jamais consommer d'aliments/de liquides directement sortis du four, mais de les laisser reposer quelques minutes, puis de les remuer pour répartir la chaleur uniformément.
13. Les aliments contenant un mélange de graisse et d'eau, comme le bouillon, doivent reposer 30 à 60 secondes dans le four après que vous l'avez éteint. Cela permet au mélange de se reposer et d'éviter la formation de bulles lorsqu'une cuillère est placée dans l'aliment/le liquide, ou lorsque vous ajoutez un cube de bouillon.
14. Lors de la préparation/cuisson des aliments/liquides, n'oubliez pas que certains aliments comme les puddings de Noël, la confiture et la viande hachée chauffent très rapidement. Lorsque vous chauffez ou cuisez des aliments riches en graisses ou en sucre, n'utilisez pas de récipients en plastique.
15. Les ustensiles de cuisine peuvent chauffer à cause de la chaleur transmise par les aliments chauffés. C'est particulièrement vrai si une pellicule de plastique recouvre le dessus et les poignées de l'ustensile. Des mitaines peuvent être nécessaires pour manipuler l'ustensile.
16. Pour limiter le risque d'incendie à l'intérieur du four :
  - a) Évitez de cuire les aliments trop longtemps. Surveillez attentivement le four si vous y avez inséré du papier, du plastique ou d'autres matières combustibles destinés à faciliter la cuisson.
  - b) Retirez les attaches métalliques des sacs avant de mettre ces derniers au four.
  - c) Si des matériaux situés à l'intérieur du four s'enflamment, gardez la porte du four fermée, éteignez le four à l'aide de l'interrupteur mural ou coupez l'alimentation sur le panneau de fusibles ou de disjoncteurs.

## PANNEAU DE COMMANDE



### UNITÉ D'AFFICHAGE

Affiche les fonctions et l'heure sélectionnées.

### TOUCHES

 stop/lock


 start/+30 sec

### BOUTON ROTATIF

 Menu auto

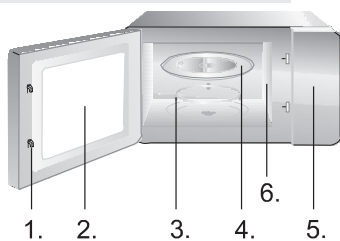
 Décongélation

 Micro-ondes

 Horloge

 Temps

 Poids



1. Système de verrouillage de sécurité pour la porte
2. Fenêtre du four
3. Anneau de roulement
4. Plateau en verre
5. Panneau de commande
6. Guide d'ondes (n'enlevez pas la plaque mica qui recouvre le guide d'ondes)

## 1. AVANT LA CUISSON

L'écran s'allume lorsque l'appareil est branché à l'alimentation électrique, puis il passe à l'état de veille et affiche 1:00.

## 2. FONCTION MICRO-ONDES

Il y a cinq niveaux de puissance : 100 P, 80 P, 50 P, 30 P et 10 P. Tournez le bouton au-dessus pour sélectionner la puissance de micro-ondes souhaitée. Tournez le bouton au-dessous pour sélectionner le temps de cuisson, la plage de temps qui peut être réglée est de 0:10 à 60:00. Après avoir sélectionné le temps, appuyez sur le bouton « START/+30s. » pour commencer le travail. Une notification sonore retentira pour notifier la fin de l'opération.

|              |                              |   |
|--------------|------------------------------|---|
| FORT         | Puissance de sortie de 100 % | (Applicable pour une cuisson rapide et complète)      |
| Moyen Fort   | Puissance de sortie de 80 %  | (Applicable pour la cuisson express moyenne)          |
| Moyen        | Puissance de sortie de 50 %  | (Applicable pour la cuisson à la vapeur des aliments) |
| Moyen Faible | Puissance de sortie de 30 %  | (Applicable pour décongeler les aliments)             |
| FAIBLE       | Puissance de sortie de 10 %  | (Applicable pour garder au chaud)                     |

### REMARQUE :

La durée maximale réglable est 60 minutes

b. Ne faites jamais fonctionner le four à vide.

c. Lorsque la puissance du micro-ondes est maximale, cette puissance sera automatiquement diminuée après un certain temps de cuisson, pour prolonger la durée de vie.

d. Si vous retournez les aliments en cours de fonctionnement, appuyez une fois sur le bouton START/+30s et la procédure de cuisson prédéfinie continuera.

e. Si vous avez l'intention de retirer les aliments avant la fin de la durée prédéfinie, vous devez appuyer une fois sur le bouton STOP/LOCK pour effacer la procédure prédéfinie et éviter de la reprendre de manière involontaire lors de la prochaine utilisation.

## 3. DÉCONGÉLATION

La fonction de décongélation convient pour décongeler en fonction du poids et correspond à l'affichage "dEF". Tournez le bouton du dessus pour sélectionner la fonction de décongélation et le "dEF" s'affiche sur l'écran d'affichage. Tournez le bouton du dessous pour sélectionner le poids de l'aliment, la plage de poids de dEF est de 100 g à 1 500 g. Après avoir sélectionné le poids de décongélation, appuyez sur le bouton « START/+30s » pour commencer le travail. Une notification sonore retentira pour notifier la fin de l'opération. Le mode de décongélation dEF en fonction du poids émettra un bip sonore pour inviter l'utilisateur à retourner les aliments pendant la décongélation.

Voici quelques conseils sur le temps de décongélation des aliments :

|     |   |
|-----|---|
| dEF | Pour la décongélation, la gamme de poids va de 100 g à 1 500 g. |
|-----|---|

**REMARQUE :**

- Il est nécessaire de retourner l'aliment au cours du processus pour obtenir un effet uniforme.
- La décongélation dure généralement plus longtemps que la cuisson des aliments.
- Si l'aliment peut être coupé au couteau, le processus de décongélation peut être considéré comme terminé.
- Les micro-ondes pénètrent dans la plupart des aliments jusqu'à une profondeur d'environ 4 cm
- Les aliments décongelés doivent être consommés dès que possible, il n'est pas conseillé de les remettre au réfrigérateur et de les congeler à nouveau.

#### 4. HORLOGE (24 heures)

Tournez le bouton du dessus pour sélectionner la fonction d'horloge, appuyez sur le bouton « START/+30s » pendant plus de 3 secondes pour entrer dans l'interface de réglage de l'horloge. En même temps, l'écran d'affichage clignote en heures. L'heure peut être réglée en tournant le bouton du dessous. Après avoir réglé les heures, appuyez brièvement sur le bouton « START/+30s » pour pouvoir régler les minutes. Les minutes peuvent être réglées en tournant le bouton du dessous. Après avoir réglé les minutes, appuyez à nouveau sur le bouton « START/+30s » pour quitter le mode de réglage.

#### 5. AUTOCUISSON

Il existe huit menus automatiques, de A.1 à A.8, respectivement pommes de terre, pâtes, pizza, popcorn, légumes, boissons, viandes et poissons. Appuyez sur le bouton du dessus pour sélectionner la fonction de menu, puis tournez le bouton du dessous pour sélectionner le menu souhaité. L'écran d'affichage affiche les menus correspondants à A.1 ~ A.8. Après avoir sélectionné le menu, appuyez sur le bouton « START/+30s » pour lancer l'opération. Une notification sonore retentira pour notifier la fin de l'opération.

| Affichage | Type            | Méthode  |
|-----------|-----------------|--|
| A.1       | Pommes de terre | Le poids optionnel est de 500 g                        |
| A.2       | Pâtes           | Le poids optionnel est de 100 g                        |
| A.3       | Pizza           | Le poids optionnel est de 400 g                        |
| A.4       | Popcorn         | Le poids optionnel est de 100 g                        |
| A.5       | Légumes         | Le poids optionnel est de 400 g                        |
| A.6       | Boisson         | Le poids optionnel est de 1 tasse, soit environ 250 ml |
| A.7       | Viande          | Le poids optionnel est de 400 g                        |
| A.8       | Poisson         | Le poids optionnel est de 400 g                        |

#### REMARQUE :

a. La température des aliments avant la cuisson doit être de 20-25 °C. Une température d'aliment plus élevée ou plus basse avant cuisson nécessiterait une augmentation ou une diminution du temps de cuisson.

b. La température, le poids et la forme des aliments influenceront largement l'effet de cuisson. Si un écart a été constaté par rapport au facteur indiqué dans le menu ci-dessus, vous pouvez ajuster le temps de cuisson pour un résultat optimal.

---

#### 6. STOP

Pendant la cuisson, vous pouvez appuyer sur le bouton « STOP » pour annuler les réglages et revenir à l'état de veille. Pendant le fonctionnement du four à micro-ondes, vous pouvez appuyer sur le bouton « STOP » pour faire une pause. À l'état de veille, vous pouvez appuyer à nouveau sur le bouton « STOP » pour annuler la fonction et revenir à l'état de veille.

---

#### 7. START/+30s

Après avoir réglé le temps de cuisson ou le poids de la nourriture, appuyez sur le bouton « START/+30s » pour démarrer immédiatement le four à micro-ondes. Pendant le fonctionnement, vous pouvez appuyer sur le bouton « START/+30s » pour augmenter le temps de cuisson. Appuyez une fois pour l'augmenter de 30 secondes. Le mode menu et le mode décongélation en fonction du poids ne permettent pas d'ajuster le temps. En état de pause, vous pouvez appuyer sur le bouton « START/+30s » pour reprendre le fonctionnement du four à micro-ondes avant le mode de cuisson.

---

#### 8. FONCTION SÉCURITÉ ENFANT

Utilisez cette fonction pour verrouiller le panneau de commande lors du nettoyage du four ou pour que les enfants ne puissent pas utiliser le four sans surveillance. Dans ce mode, tous les boutons deviennent inopérants.

1. Activer le verrouillage : en mode veille, appuyez sur le bouton « STOP » pendant plus de 3 secondes, la fonction de verrouillage enfant est activée et aucun bouton du four à micro-ondes ne peut pas être actionné.
2. Désactiver le verrouillage : à l'état de verrouillage enfant, appuyez sur le bouton « STOP » pendant plus de 3 secondes pour annuler la fonction de verrouillage enfant.

1. Éteignez le four et débranchez la fiche d'alimentation de la prise murale avant le nettoyage.
2. Veillez à ce que l'intérieur du four reste propre. Si des éclaboussures d'aliments ou des liquides renversés adhèrent aux parois du four, essuyez-les avec un chiffon humide. L'utilisation de détergents agressifs ou d'abrasifs n'est pas recommandée.
3. Il est recommandé de nettoyer l'extérieur du four avec un chiffon humide. Pour éviter que les parties fonctionnelles situées à l'intérieur du four ne soient endommagées, évitez que l'eau ne s'infilte dans les ouvertures de ventilation.
4. Ne laissez pas le panneau de commande devenir humide. Nettoyez avec un chiffon doux et humide, n'utilisez pas de détergents, d'abrasifs ou de nettoyants à vaporiser sur le panneau de commande.
5. Si de la vapeur s'accumule à l'intérieur ou autour de la porte du four, essuyez-la avec un chiffon doux. Cela peut se produire lorsque le four à micro-ondes fonctionne dans des conditions d'humidité élevée et cela n'indique nullement un dysfonctionnement de l'appareil.
6. Il est parfois nécessaire de retirer le plateau en verre pour le nettoyer. Lavez le plateau dans de l'eau chaude et mousseuse ou dans un lave-vaisselle.
7. Il est recommandé de nettoyer régulièrement l'anneau de roulement et la cavité du four afin d'éviter tout excès de bruit. Essuyez simplement la surface inférieure du four avec un détergent doux, de l'eau ou un nettoyant pour vitres, puis laissez-la sécher. L'anneau de roulement peut être lavé dans de l'eau chaude et mousseuse ou dans un lave-vaisselle. En cas d'utilisation répétée, les vapeurs de cuisson s'accumulent, mais sans affecter la surface inférieure ou les roues de l'anneau de roulement. Lorsque vous retirez l'anneau de roulement de l'intérieur du four pour le nettoyer, veillez à le replacer correctement.
8. Éliminez les odeurs du four en mélangeant le contenu d'une tasse d'eau et le jus et le zeste d'un citron dans un bol adapté à une utilisation au micro-ondes. Faites tourner le micro-ondes pendant 5 minutes, essuyez-le soigneusement et séchez-le avec un chiffon doux.

### ENVIRONNEMENT

Ne jetez pas l'appareil en fin de vie avec les ordures ménagères normales, mais remettez-le à un point de collecte agréé pour le recyclage. En agissant de la sorte, vous contribuerez à la préservation de l'environnement.

## INSTALLATION

1. Assurez-vous que tous les matériaux d'emballage sont retirés de l'intérieur de la porte.
2. Inspectez le four après l'avoir déballé, afin de détecter d'éventuels vices apparents tels que :
  - une porte mal alignée ;
  - une porte endommagée ;
  - des bosses ou des trous dans la vitre de la porte ou sur l'écran ;
  - des bosses à l'intérieur du four.Si vous constatez l'un de ces signes, N'UTILISEZ PAS le four.
3. Ce four à micro-ondes pèse 10,3 kg et doit être placé sur une surface horizontale suffisamment solide pour supporter ce poids.
4. Le four doit être tenu loin des températures élevées et de la vapeur.
5. NE placez RIEN au-dessus du four.
6. Maintenez le four à au moins 20 cm des deux parois latérales et à 30 cm de la paroi arrière pour garantir une ventilation appropriée.
7. NE retirez PAS l'arbre d'entraînement du plateau tournant.
8. Comme pour tous les appareils, une surveillance accrue est nécessaire lors d'une utilisation par des enfants.
9. Assurez-vous que la prise électrique est facilement accessible afin que la fiche puisse être retirée rapidement en cas d'urgence. Il devrait, à défaut, être possible de déconnecter l'appareil à l'aide d'un interrupteur du circuit. Les dispositions existantes des normes de sécurité électrique sont alors prises en compte.  
Le produit doit être correctement installé sur une prise de terre à courant alternatif monophasé (230 V/50 Hz).  
**ATTENTION ! CET APPAREIL DOIT ÊTRE MIS À LA TERRE.**
10. Ce four nécessite 1,3 KVA comme puissance d'entrée.  
Il est conseillé de consulter un ingénieur de service lors de l'installation du four.

### **ATTENTION :**

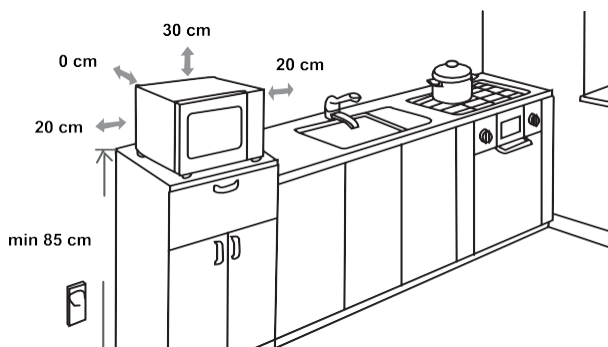
**l'intérieur du four est protégé par un fusible de 250 V, 8 A.**

## CARACTÉRISTIQUES

|                                   |                                     |
|-----------------------------------|-------------------------------------|
| Consommation électrique .....     | 220-240 V~50 Hz, 1 280 W            |
| Puissance en sortie .....         | 800 W                               |
| Fréquence de fonctionnement ..... | 2 450 MHz                           |
| Dimensions extérieures .....      | 454,5 mm(L) x 261 mm(H) x 353 mm(P) |
| Capacité du four .....            | 20 litres                           |
| Poids une fois déballé : .....    | environ 10,3 kg                     |
| Niveau sonore .....               | Lc <55 dB (A)                       |



## DIMENSIONS DE MONTAGE



## INTERFÉRENCES RADIO

Le four à micro-ondes peut causer des interférences avec votre radio, votre téléviseur ou tout équipement similaire. Les interférences éventuelles peuvent être supprimées ou diminuées en appliquant les procédures suivantes.

- Nettoyez la porte et la surface d'étanchéité du four.
- Placez la radio, la télévision, etc. aussi loin que possible de votre four à micro-ondes.
- Pour une bonne réception du signal, veillez à ce que l'antenne de votre radio, téléviseur, etc. soit installée correctement.

**NOUS RÉSERVONS LE DROIT D'APPORTER TOUTE MODIFICATION QUI N'AFPECTE PAS LE FONCTIONNEMENT DE L'APPAREIL.**

## AVANT D'APPELER LE SERVICE

1. Si le four ne fonctionne pas du tout, les informations sur l'affichage n'apparaissent pas ou l'affichage disparaît :
  - a) Assurez-vous que le four est branché correctement. Si ce n'est pas le cas, retirez la fiche de la prise, attendez 10 secondes et rebranchez-la correctement.
  - b) Inspectez les lieux pour détecter un fusible de circuit grillé ou un disjoncteur principal déclenché. Si ceux-ci semblent fonctionner correctement, testez la prise avec un autre appareil.
2. Si l'alimentation du micro-ondes ne fonctionne pas :
  - a) Vérifiez si la minuterie est réglée.
  - b) Assurez-vous que la porte est bien fermée pour enclencher les verrouillages de sécurité. Sinon, l'énergie des micro-ondes ne pourra pas pénétrer dans le four.  
**Si aucune des consignes ci-dessus ne permet de corriger la situation, contactez l'agent de service agréé le plus proche.**

**L'appareil est destiné à un usage domestique, pour chauffer des aliments et des boissons grâce à l'énergie électromagnétique, et est réservé à un usage intérieur.**

## GARANTIE ET SERVICE

Si vous avez besoin d'informations ou si vous rencontrez un problème, veuillez contacter le centre d'assistance clientèle Gorenje de votre pays (vous trouverez son numéro de téléphone dans le dépliant de garantie mondiale). S'il n'y a pas de centre d'assistance clientèle dans votre pays, rendez-vous chez votre revendeur Gorenje local ou contactez le service après-vente des appareils électroménagers Gorenje.

### **Réservé à un usage personnel !**

Des recommandations supplémentaires pour la cuisson au micro-ondes et des conseils utiles peuvent être trouvés sur le site Web :

<https://www.gorenje.fr/>

**NOUS VOUS SOUHAITONS DE PROFITER PLEINEMENT DE VOTRE APPAREIL**

# **gorenje**

**SEHR GEEHRTE/R  
KUNDE/IN**

Wir bedanken uns ganz herzlich für Ihren Einkauf. Wir sind überzeugt davon, dass Sie schon bald ausreichend Beweise dafür finden werden, dass Sie sich wirklich auf unsere Produkte verlassen können. Um den Umgang mit dem Gerät zu erleichtern, legen wir diese ausführliche Bedienungsanleitung bei.

Die Anleitung soll Ihnen helfen, sich mit Ihrem neuen Gerät vertraut zu machen. Bitte lesen Sie diese sorgfältig durch, bevor Sie das Gerät zum ersten Mal verwenden.

Bitte stellen Sie in jedem Fall sicher, dass Ihnen das Gerät unbeschädigt übergeben wurde. Wenden Sie sich bei Feststellung und Transportschäden an Ihren Außendienstmitarbeiter oder an das Regionallager, aus dem das Produkt geliefert wurde. Die Telefonnummer finden Sie auf der Quittung oder dem Lieferschein.

Wir wünschen Ihnen viel Freude mit Ihrem neuen Haushaltsgerät.



Das Haushaltsgerät zum Erwärmen von Speisen und Getränken mit elektromagnetischer Energie, ausschließlich für den Innenbereich.

**GEBRAUCHSANWEISUNG**

Diese Anleitung ist für den Anwender bestimmt.

Sie beschreibt den Herd und wie man ihn benutzt. Sie gelten auch für unterschiedliche Gerätetypen, daher finden Sie möglicherweise Funktionsbeschreibungen, die auf Ihr Gerät nicht zutreffen.



Berühren Sie niemals die Oberflächen von Heiz- oder Kochgeräten. Sie werden während des Betriebs heiß. Halten Sie Kinder in einem sicheren Abstand. Es besteht Verbrennungsgefahr!



Mikrowellenenergie und Hochspannung!  
Nehmen Sie die Abdeckung nicht ab.

**WARNUNG!** Das Gerät und seine zugänglichen Teile werden während des Gebrauchs heiß. Achten Sie darauf, dass Sie die Heizelemente nicht berühren. Kinder unter 8 Jahren müssen ferngehalten werden, es sei denn, sie werden ständig beaufsichtigt. Das Gerät ist kein Kinderspielzeug. Halten Sie Kinder davon fern.

Dieses Produkt kann von Kindern ab 8 Jahren und darüber sowie von Personen mit reduzierten physischen, sensorischen oder mentalen Fähigkeiten oder Mangel an Erfahrung und/oder Wissen benutzt werden, wenn sie bezüglich des sicheren Gebrauchs des Gerätes unterwiesen wurden und die daraus resultierenden Gefahren verstanden haben. Kinder nicht mit dem Gerät spielen lassen. Die Reinigung und Wartung darf nicht von Kindern durchgeführt werden, außer sie sind älter als 8 Jahre und werden beaufsichtigt.

Bewahren Sie das Gerät und das Netzkabel immer außerhalb der Reichweite von Kindern unter 8 Jahren auf.

- **WARNUNG:** Wenn das Gerät im Kombibetrieb betrieben wird, sollten Kinder den Ofen wegen der entstehenden Temperaturen nur unter Aufsicht von Erwachsenen benutzen (nur bei Modell mit Grillfunktion).

- **WARNUNG:** Wenn die Tür oder die Türdichtungen beschädigt sind, darf die Mikrowelle nicht in Betrieb genommen werden, bevor sie von einer sachkundigen Person repariert worden ist;
- **WARNUNG:** Es ist gefährlich, wenn eine nicht fachkundige Person Wartungs- oder Reparaturarbeiten durchführt, bei denen eine Abdeckung entfernt werden muss, die einen Schutz gegen die Einwirkung der Mikrowellenenergie gewährt;
- **WARNUNG:** Flüssigkeiten und andere Lebensmittel dürfen nicht in verschlossenen Behältern erhitzt werden, da sie explodieren können.
- Kinder sollten beaufsichtigt werden, um sicherzustellen, dass sie nicht mit dem Gerät spielen.
- Entfernen Sie nicht die Füße der Mikrowelle, blockieren Sie nicht die Luftzufuhr der Mikrowelle.
- Nur Utensilien benutzen, die auch für den Gebrauch in der Mikrowelle geeignet sind.
- Wenn Sie Lebensmittel in Plastik- oder Papierbehältern erhitzen, sollten Sie die Mikrowelle im Auge behalten, da die Möglichkeit einer Entzündung besteht;
- Wenn Sie Rauch bemerken, schalten Sie das Gerät aus oder ziehen Sie den Netzstecker und halten Sie die Tür geschlossen, damit keine Flammen austreten können;
- Das Erhitzen von Getränken in der Mikrowelle kann zu einem verzögerten Eruptionssieden führen, daher ist bei der Handhabung des Behälters Vorsicht geboten;
- Der Inhalt von Fläschchen und Gläsern mit Babynahrung muss vor dem Verzehr umgerührt oder geschüttelt und die Temperatur überprüft werden, um Verbrennungen zu vermeiden;
- Eier in der Schale und ganze hartgekochte Eier sollten nicht in der Mikrowelle erhitzt werden, da sie explodieren können, auch wenn die Mikrowellenerhitzung beendet ist;

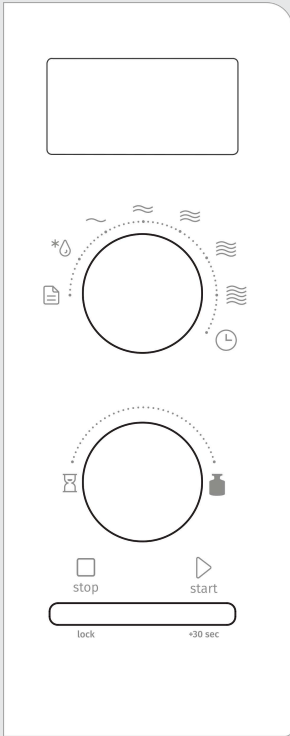
- Verwenden Sie zum Reinigen der Türoberfläche, der Türdichtung oder des Garraums nur milde, nicht scheuernde Seifen oder Reinigungsmittel, die mit einem Schwamm oder einem weichen Tuch aufgetragen werden.
- Der Mikrowellen-Ofen sollte regelmäßig gereinigt und Lebensmittelablagerungen entfernt werden;
- Wird die Mikrowelle nicht sauber gehalten, kann dies zu einer Verschlechterung der Oberfläche führen, die sich negativ auf die Lebensdauer des Geräts auswirken und möglicherweise zu einer gefährlichen Situation führen kann;
- Wenn das Netzkabel beschädigt ist, muss es vom Hersteller, seinem Kundendienstvertreter oder ähnlich qualifizierten Personen ersetzt werden, um eine Gefährdung zu vermeiden.
- Lassen Sie das Kabel nicht über den Rand des Tisches oder der Arbeitsplatte hängen.
- Schließen Sie dieses Gerät niemals an eine externe Zeitschaltuhr oder ein Fernbedienungssystem an, um eine gefährliche Situation zu vermeiden.
- Ersetzen Sie niemals die Glühbirne im Inneren der Mikrowelle. Sie muss immer durch den Gorenje-Service ersetzt werden.
- Reinigen Sie das Gerät nicht mit Dampfreinigern, Hochdruckreinigern, scharfen Gegenständen, Scheuermitteln, Scheuerschwämmen und Fleckentfernern.

Nachfolgend finden Sie, wie bei allen Geräten, bestimmte Regeln und Sicherheitsvorkehrungen, die Sie beachten sollten, damit Sie Ihre Mikrowelle optimal nutzen können:

1. Für den Betrieb der Mikrowelle müssen der Gestell, die Rollenarme, die Kupplung und die Rollenschiene immer an ihrem Platz sein.
2. Verwenden Sie die Mikrowelle nicht für andere Zwecke als die Zubereitung von Speisen, z. B. zum Trocknen von Kleidung, Papier oder anderen Gegenständen, die keine Lebensmittel sind, oder zum Sterilisieren.
3. Betreiben Sie die Mikrowelle nicht im leeren Zustand. Dies könnte den Backofen beschädigen.
4. Verwenden Sie den Garraum nicht für die Aufbewahrung von Papieren, Kochbüchern usw.
5. Garen Sie keine Lebensmittel, die von einer Membran umgeben sind, wie z. B. Eigelb, Kartoffeln, Hühnerleber usw., ohne sie vorher mehrmals mit einer Gabel anzustechen.
6. Stecken Sie keine Gegenstände in die Öffnungen des äußeren Gehäuses.
7. Entfernen Sie zu keiner Zeit Teile der Mikrowelle wie Füße, Kupplungen, Schrauben usw.
8. Garen Sie die Speisen nicht direkt auf dem Gestell. Legen Sie die Speisen in/auf ein geeignetes Kochgeschirr, bevor Sie sie in den Ofen schieben. **WICHTIG - KOCHGESCHIRR, DAS NICHT IN DER MIKROWELLE VERWENDET WERDEN DARF**
  - Verwenden Sie keine Metallpfannen oder Geschirr mit Metallgriffen.
  - Verwenden Sie keine Gegenstände mit Metallverzierungen.
  - Verwenden Sie keine papierummantelten Drahtbinder für Plastikbeutel.
  - Verwenden Sie kein Melamingeschirr, da dieses einen Stoff enthält, der Mikrowellenenergie absorbiert. Dies kann dazu führen, dass das Geschirr Risse bekommt oder verkohlt und verlängert die Garzeit.
  - Verwenden Sie kein Centura-Geschirr. Die Glasur ist nicht für die Mikrowelle geeignet. Corelle Livingware Tassen mit geschlossenem Henkel sollten nicht verwendet werden.
  - Kochen Sie nicht in Behältern mit einer verengten Öffnung, wie z. B. einer Limonadenflasche oder einer verschlossenen Ölflasche, da diese beim Erhitzen in der Mikrowelle explodieren können.
  - Verwenden Sie keine herkömmlichen Fleisch- oder Zuckerthermometer.
  - Es gibt Thermometer speziell für das Kochen in der Mikrowelle. Diese können benutzt werden.
9. Mikrowellenutensilien sollten nur gemäß den Anweisungen des Herstellers verwendet werden.
10. Versuchen Sie nicht, Lebensmittel in der Mikrowelle zu frittieren.
11. Bitte denken Sie daran, dass ein Mikrowellenofen nur die Flüssigkeit in einem Behälter erwärmt und nicht den Behälter selbst.

Auch wenn sich der Deckel eines Behälters nicht heiß anfühlt, wenn er aus dem Mikrowellen-Ofen genommen wird, denken Sie bitte daran, dass die Speisen/Flüssigkeiten darin die gleiche Menge Dampf abgeben und/oder spritzen, wenn der Deckel entfernt wird, wie beim herkömmlichen Garen.

12. Prüfen Sie die Temperatur von gekochten Lebensmitteln immer selbst, vor allem, wenn Sie Speisen/Flüssigkeit für Säuglinge erhitzen oder kochen. Es ist ratsam, Speisen/Flüssigkeiten nie direkt aus der Mikrowelle zu verzehren, sondern sie einige Minuten stehen zu lassen und umzurühren, damit sich die Hitze gleichmäßig verteilt.
13. Speisen, die eine Mischung aus Fett und Wasser enthalten, z. B. Brühe, sollten nach dem Ausschalten des Ofens noch 30-60 Sekunden in der Mikrowelle stehen. Dadurch kann sich die Mischung absetzen und Blasenbildung verhindern, wenn ein Löffel in die Speise/Flüssigkeit gegeben oder ein Brühwürfel hinzugefügt wird.
14. Denken Sie beim Zubereiten/Kochen von Speisen/Flüssigkeiten daran, dass bestimmte Lebensmittel, z. B. Weihnachtspudding, Marmelade und Hackfleisch, sehr schnell heiß werden. Verwenden Sie beim Erhitzen oder Kochen von Lebensmitteln mit hohem Fett- oder Zuckergehalt keine Kunststoffbehälter.
15. Das Kochgeschirr kann aufgrund der von den erhitzten Speisen übertragenen Wärme heiß werden. Dies gilt insbesondere, wenn Plastikfolie die Oberseite und die Griffe des Utensils bedeckt hat. Möglicherweise werden Topflappen benötigt, um das Utensil zu handhaben.
16. Um die Gefahr von Fäulnis im Garraum zu verringern:
  - a) Lassen Sie das Essen nicht zu lange zu lange garen. Gehen Sie vorsichtig mit dem Mikrowellenherd um, wenn Sie Papier, Plastik oder andere brennbare Materialien in den Herd legen, um das Garen zu erleichtern.
  - b) Entfernen Sie die Drahtverschlüsse von den Beuteln, bevor Sie den Beutel in den Ofen schieben.
  - c) Wenn sich Materialien im Inneren der Mikrowelle entzünden sollten, halten Sie die Tür geschlossen, schalten Sie die Mikrowelle am Wandschalter aus oder schalten Sie die Stromversorgung an der Sicherungs- oder Leistungsschaltertafel aus.



## ANZEIGEEINHEIT


Zeigt die ausgewählten Funktionen und die Uhrzeit an.


## TASTEN

 stop/lock

 start/+30 sec

## DREHKNOPF

 Automenü

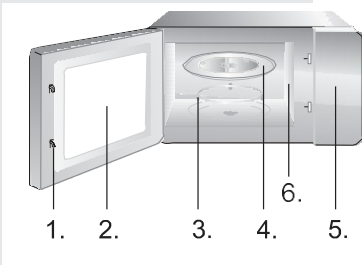
 Auftauen

 Mikrowellen

 Uhr

 Zeit

 Gewicht



1. Sicherheitstürverriegelungssystem
2. Mikrowellenherdfenster
3. Drehring
4. Glassteller
5. Bedienfeld
6. Wellenleiter (bitte entfernen Sie nicht die Glimmerplatte, die den Wellenleiter abdeckt)

## 1. VOR DEM KOCHEN

Die Anzeige leuchtet auf, wenn das Gerät an das Stromnetz angeschlossen ist, dann schaltet es in den Standby-Modus und zeigt 1:00 an.

## 2. MIKROWELLEN-FUNKTION

Es gibt fünf Leistungsstufen, 100P, 80P, 50P, 30P und 10P. Drehen Sie den Drehknopf oben, um die gewünschte Mikrowellenleistung auszuwählen. Drehen Sie den Drehknopf unten, um die Garzeit auszuwählen. Der einstellbare Zeitbereich reicht von 0:10 bis 60:00. Drücken Sie nach Eingabe der Zeit die "START/+30s."-Taste, um den Betrieb zu starten. Ein Summton meldet den Abschluss des Vorgangs.

|               |                       |  |
|---------------|-----------------------|--|
| HOCH          | 100 % Leistungsabgabe | (Anwendbar für schnelles und gründliches Kochen) |
| Mittelhoch    | 80 % Leistungsabgabe  | (Anwendbar für Kochen mit mittlerer Stärke)      |
| Mittel        | 50 % Leistungsabgabe  | (Anwendbar zum Dämpfen von Lebensmitteln)        |
| Mittelniedrig | 30 % Leistungsabgabe  | (Anwendbar zum Auftauen von Lebensmitteln)       |
| NIEDRIG       | 10 % Leistungsabgabe  | (Anwendbar zum Warmhalten)                       |

### HINWEIS:

- Die maximal einstellbare Zeit beträgt 60 Minuten.
- Betreiben Sie die Mikrowelle niemals leer.
- Bei maximaler Mikrowellenleistung senkt der Mikrowellenherd die Leistung nach einer bestimmten Garzeit automatisch ab, um die Lebensdauer zu verlängern.
- Wenn Sie das Gargut während des Betriebs drehen, drücken Sie die START/+30s-Taste einmal und der voreingestellte Garvorgang wird fortgesetzt.
- Wenn Sie das Essen vor der voreingestellten Zeit entfernen möchten, müssen Sie die STOP/LOCK-Taste einmal drücken, um den voreingestellten Vorgang zu löschen, um eine unbeabsichtigte Bedienung des nächsten Gebrauchs zu vermeiden.

## 3. AUFTAUEN

Die Auftaufunktion ist das Auftauen nach Gewicht und entspricht der Anzeige "dEF". Drehen Sie den Drehknopf oben, um die Auftaufunktion auszuwählen, und auf der Anzeige wird "dEF" angezeigt. Drehen Sie den Knopf unten, um das Lebensmittelgewicht auszuwählen. Der Gewichtsbereich von dEF liegt zwischen 100 g und 1500 g. Drücken Sie nach Auswahl des Auftaugewichts die "START/+30S"-Taste, um mit der Arbeit zu beginnen. Ein Summton meldet den Abschluss des Vorgangs. Beim dEF-Auftaumodus nach Gewicht ertönt ein Piepton, der daran erinnert, die Lebensmittel während des Auftauens umzudrehen.

|     |   |
|-----|---|
| dEF | Der Gewichtsbereich für das Auftauen reicht von 100 g bis 1500 g. |
|-----|---|

#### HINWEIS:

- a. Um eine gleichmäßige Wirkung zu erzielen, ist es notwendig, die Lebensmittel während des Betriebs umzudrehen.
- b. Normalerweise dauert das Auftauen länger als das Kochen der Lebensmittel.
- c. Wenn die Lebensmittel mit dem Messer geschnitten werden können, kann der Auftauvorgang als abgeschlossen betrachtet werden.
- d. Die Mikrowelle dringt etwa 4 cm tief in die meisten Lebensmittel ein.
- e. Aufgetaute Lebensmittel sollten so schnell wie möglich verzehrt werden, es ist nicht ratsam, sie wieder in den Kühlschrank zu legen und erneut einzufrieren.

#### 4. UHR (24-Stunden-Uhr)

Drehen Sie den Drehknopf oben, um die Uhrfunktion auszuwählen, drücken Sie die "START/+30s"-Taste für mehr als 3 Sekunden, um die Schnittstelle für die Uhreinstellung aufzurufen. Gleichzeitig blinkt der Bildschirm in Stunden. Die Stundenzahl kann durch Drehen des Knopfes unten eingestellt werden. Drücken Sie nach dem Einstellen der Stunde kurz die Taste "START/+30s", um in den Einstellungs-Minutenmodus zu wechseln. Die Minuten können durch Drehen des Knopfes unten eingestellt werden. Drücken Sie nach dem Einstellen der Minuten erneut die Taste "START/+30s", um den Einstellungsmodus zu verlassen.

#### 5. AUTOMATISCHES KOCHEN

Es gibt acht automatische Menüs, A.1~A.8: Kartoffel, Pasta, Pizza, Popcorn, Gemüse, Getränke, Fleisch und Fisch. Drücken Sie den Knopf oben, um die Menüfunktion auszuwählen, drehen Sie dann den Knopf unten, um das gewünschte Menü auszuwählen. Der Bildschirm zeigt das entsprechende A.1~A.8 des Menüs an. Drücken Sie nach Auswahl des Menüs die "START/+30s"-Taste, um den Betrieb zu starten. Ein Summtone meldet den Abschluss des Vorgangs.

| Anzeige | Art        | Methode   |
|---------|------------|---|
| A.1     | Kartoffeln | Das optionale Gewicht beträgt 500 g               |
| A.2     | Pasta      | Das optionale Gewicht beträgt 100 g               |
| A.3     | Pizza      | Das optionale Gewicht beträgt 400 g               |
| A.4     | Popcorn    | Das optionale Gewicht beträgt 100 g               |
| A.5     | Gemüse     | Das optionale Gewicht beträgt 400 g               |
| A.6     | Getränke   | Das optionale Gewicht beträgt 1 Tasse, ca. 250 ml |
| A.7     | Fleisch    | Das optionale Gewicht beträgt 400 g               |
| A.8     | Fisch      | Das optionale Gewicht beträgt 400 g               |

#### **HINWEIS:**

a. Die Temperatur der Lebensmittel vor dem Kochen sollte 20-25 °C betragen. Eine höhere oder niedrigere Temperatur der Lebensmittel vor dem Garen würde eine Verringerung oder eine Erhöhung der Garzeit erfordern.

b. Die Temperatur, das Gewicht und die Form der Lebensmittel haben einen großen Einfluss auf den Gareffekt. Wenn eine Abweichung von dem im obigen Menü angegebenen Faktor festgestellt wird, können Sie die Garzeit für ein optimales Ergebnis anpassen.

---

## **6. STOPPEN**

Drücken Sie während der Kocheinstellungen die "STOP"-Taste, um die Einstellungen aufzuheben und in den Standby-Zustand zurückzukehren. Während des Betriebs des Mikrowellenofens kann die "STOP-Taste" gedrückt werden, um zu pausieren. Im Standby-Zustand kann die "STOP"-Taste erneut gedrückt werden, um die Funktion abzubrechen und in den Standby-Zustand zurückzukehren.

---

## **7. START/+30s**

Drücken Sie nach dem Einstellen der Garzeit oder des Lebensmittelgewichts die "START/+30s"-Taste, um den Mikrowellenofen sofort zu starten. Im Betriebszustand können Sie die "START/+30s"-Taste drücken, um die Zeit zu verlängern, drücken Sie einmal, um die Zeit um 30 Sekunden zu verlängern, aber im Menümodus und im Gewichtsabtaumodus kann die Zeit nicht eingestellt werden. Im Pausenzustand können Sie die "START/+30s"-Taste drücken, um den Mikrowellenherd vor dem Garvorgang weiterlaufen zu lassen.

---

## **8. KINDERSICHERUNG**

Verwenden Sie diese Funktion, um das Bedienfeld zu sperren, wenn Sie die Mikrowelle reinigen oder damit Kinder sie nicht unbeaufsichtigt benutzen können. In diesem Modus sind alle Tasten außer Betrieb gesetzt.

1. Sicherung einstellen: Wenn Sie im Standby-Modus die "STOP"-Taste länger als 3 Sekunden drücken, wird die Kindersicherungsfunktion gesperrt, und alle Tasten des Mikrowellenofens können nicht bedient werden.
2. Sicherung aufheben: Drücken Sie im Zustand der Kindersicherung die "STOP"-Taste länger als 3 Sekunden, um die Kindersicherungsfunktion aufzuheben.

1. Schalten Sie die Mikrowelle aus und ziehen Sie den Netzstecker aus der Steckdose, bevor Sie mit der Reinigung beginnen.
2. Halten Sie das Innere des Ofens sauber. Wenn Speisespritzer oder verschüttete Flüssigkeiten an den Backofenwänden haften, wischen Sie sie mit einem feuchten Tuch ab. Die Verwendung von scharfen Reinigungsmitteln oder Scheuermitteln wird nicht empfohlen.
3. Die Außenfläche des Ofens sollte mit einem feuchten Tuch gereinigt werden. Um Schäden an den Betriebsteilen im Inneren des Backofens zu vermeiden, darf kein Wasser in die Lüftungsöffnungen eindringen.
4. Achten Sie darauf, dass das Bedienfeld nicht nass wird. Mit einem weichen, feuchten Tuch reinigen. Verwenden Sie keine Reinigungsmittel, Scheuermittel oder Sprühreiniger auf dem Bedienfeld.
5. Wenn sich Dampf innerhalb oder um die Außenseite der Herdtür ansammelt, wischen Sie diese mit einem weichen Tuch ab. Dies kann auftreten, wenn der Mikrowellenherd bei hoher Luftfeuchtigkeit betrieben wird und weist in keiner Weise auf eine Fehlfunktion des Geräts hin.
6. Gelegentlich ist es erforderlich, den Glasteller zur Reinigung herauszunehmen. Waschen Sie das Tablett in warmem Seifenwasser oder in der Spülmaschine.
7. Der Walzenring und die Backraumtür sollten regelmäßig gereinigt werden, um übermäßigen Lärm zu vermeiden. Wischen Sie die Unterseite des Ofens einfach mit einem milden Reinigungsmittel, Wasser oder Fensterreiniger ab und trocknen Sie sie. Der Walzenring kann in milder Seifenlauge oder in der Spülmaschine gereinigt werden. Bei wiederholtem Gebrauch sammeln sich Kochdünste an, die jedoch in keiner Weise die Bodenfläche oder die Gummiringe beeinträchtigen. Wenn Sie den Walzenring zur Reinigung aus dem Hohlraum entfernen, achten Sie darauf, dass er wieder in der richtigen Position eingesetzt wird.
8. Entfernen Sie Gerüche aus Ihrem Ofen, indem Sie eine Tasse Wasser mit dem Saft und der Schale einer Zitrone in einer tiefen, mikrowellengeeigneten Schüssel vermischen. 5 Minuten in die Mikrowelle stellen, gründlich abwischen und mit einem weichen Tuch abtrocknen.

## UMWELT

Entsorgen Sie das Gerät am Ende seines Lebenszyklus nicht über den normalen Hausmüll, sondern geben Sie es bei einer offiziellen Sammelstelle zum Recycling ab. Auf diese Weise helfen Sie, die Umwelt zu schonen.

## INSTALLATION

1. Vergewissern Sie sich, dass das gesamte Verpackungsmaterial von der Innenseite der Tür entfernt wurde.
2. Untersuchen Sie den Ofen nach dem Auspacken auf sichtbare Schäden wie zum Beispiel:
  - Falsch ausgerichtete Tür
  - Beschädigte Tür
  - Dellen oder Löcher in Türfenster und Bildschirm
  - Dellen im InnerenWenn einer der oben genannten Punkte sichtbar ist, darf die Mikrowelle NICHT verwendet werden.
3. Dieser Mikrowellenherd wiegt 10,3 kg und muss auf einer horizontalen Fläche stehen, die diesem Gewicht standhält.
4. Die Mikrowelle muss von hohen Temperaturen und Dampf ferngehalten werden.
5. Stellen Sie KEINE Gegenstände auf den Ofen.
6. Halten Sie den Backofen mindestens 20 cm von beiden Seitenwänden und 30 cm von der hinteren Wand entfernt, um die richtige Belüftung zu gewährleisten.
7. Die Antriebswelle der Drehscheibe NICHT entfernen.
8. Wie bei jedem Gerät ist eine genaue Überwachung erforderlich, wenn es von Kindern verwendet wird.
9. Stellen Sie sicher, dass die Steckdose leicht zugänglich ist, damit der Stecker im Notfall schnell gezogen werden kann. Andernfalls sollte es möglich sein, das Gerät mit einem Schalter vom Stromkreis zu trennen. In diesem Fall werden die bestehenden Bestimmungen der elektrischen Sicherheitsnormen berücksichtigt.  
Das Produkt muss korrekt an eine geerdete Steckdose mit einphasigem Wechselstrom (230 V/50 Hz) angeschlossen werden. **WARNUNG! DIESES GERÄT MUSS GEERDET SEIN!**
10. Dieser Ofen benötigt 1,3 KVA für die Stromversorgung.  
Es wird empfohlen, bei der Installation des Ofens einen Servicetechniker hinzuzuziehen.

**ACHTUNG:** Diese Mikrowelle ist innen durch eine 250 V, 8 Amp Sicherung geschützt.

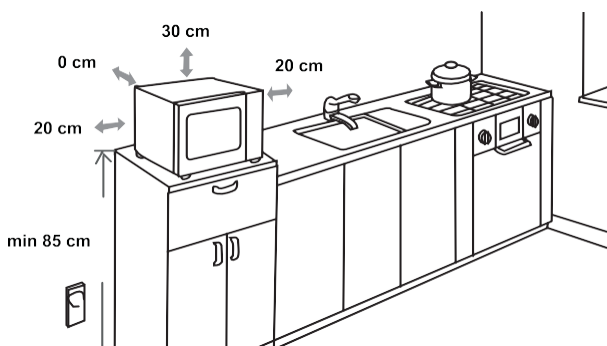
## SPEZIFIKATIONEN

|                       |                                     |
|-----------------------|-------------------------------------|
| Stromverbrauch.....   | 220-240 V~50 Hz, 1280 W             |
| Ausgangsleistung..... | 800 W                               |
| Betriebsfrequenz..... | 2450 MHz                            |
| Außenmaße.....        | 454,5 mm(B) x 261 mm(H) x 353 mm(T) |
| Ofenvolumen.....      | 20 Liter                            |
| Eigengewicht.....     | ca. 10,3 kg                         |
| Geräuschpegel.....    | Lc <55 dB (A)                       |



Dieses Gerät ist gemäß der Europäischen Richtlinie 2012/19/EU über Elektro- und Elektronik-Altgeräte (WEEE) gekennzeichnet. Diese Richtlinie bildet den Rahmen für eine europaweite Gültigkeit der Rückgabe und des Recyclings von Elektro- und Elektronikaltgeräten.

## EINBAUMASSE



## FUNKSTÖRUNG

Der Mikrowellenherd kann Störungen bei Ihrem Radio, Fernseher oder ähnlichen Geräten verursachen. Wenn Störungen auftreten, können sie durch die folgenden Verfahren beseitigt oder reduziert werden.

- Reinigen Sie die Tür und die Dichtungsfläche des Backofens.
- Stellen Sie das Radio, den Fernseher usw. so weit wie möglich von Ihrem Mikrowellenherd entfernt auf.
- Verwenden Sie eine ordnungsgemäß installierte Antenne für Ihr Radio, Ihren Fernseher usw., um einen überzeugenden Signalempfang zu erhalten.

WIR BEHALTEN UNS DAS RECHT VOR, ÄNDERUNGEN VORZUNEHMEN, DIE DIE FUNKTIONALITÄT DES GERÄTS NICHT BEEINTRÄCHTIGEN.

## BEVOR SIE DEN KUNDENDIENST IN ANSPRUCH NEHMEN

1. Wenn der Backofen überhaupt nicht funktioniert, erscheinen die Informationen auf dem Display nicht oder das Display verschwindet:
  - a) Vergewissern Sie sich, dass der Stecker des Backofens fest eingesteckt ist. Ist dies nicht der Fall, ziehen Sie den Stecker aus der Steckdose, warten Sie 10 Sekunden und stecken Sie ihn wieder fest ein.
  - b) Überprüfen Sie die Räumlichkeiten auf eine durchgebrannte Sicherung oder einen ausgelösten Hauptstromkreisunterbrecher. Wenn diese ordnungsgemäß zu funktionieren scheinen, testen Sie die Steckdose mit einem anderen Gerät.
2. Wenn die Mikrowelle sich nicht anstellen lässt:
  - a) Prüfen Sie, ob der Timer eingestellt ist.
  - b) Vergewissern Sie sich, dass die Tür sicher geschlossen ist, um die Sicherheitsverriegelungen zu aktivieren. Andernfalls kann die Mikrowellenenergie nicht in den Herd gelangen.  
**Wenn keine der oben genannten Lösungen die Situation behebt, wenden Sie sich an die nächste autorisierte Servicestelle.**

Haushaltsgerät zum Erwärmen von Speisen und Getränken mit elektromagnetischer Energie, ausschließlich für den Innenbereich.

## GARANTIE & SERVICE

Wenn Sie Informationen benötigen oder ein Problem haben, wenden Sie sich bitte an den Gorenje-Kundendienst in Ihrem Land (die Telefonnummer finden Sie in der weltweiten Garantieleiste). Wenn es in Ihrem Land kein Customer Care Centre gibt, wenden Sie sich an Ihren Gorenje-Händler oder an die Serviceabteilung von Gorenje-Haushaltsgeräten.

**Nur für den persönlichen Gebrauch!**

Weitere Empfehlungen zum Kochen mit Mikrowelle und nützliche Ratschläge finden Sie auf der Website:

<http://www.gorenje.com>

**WÜNSCHT IHNEN VIEL VERGNÜGEN BEIM GEBRAUCH IHRES GERÄTS**

# gorenje

## VÁŽENÝ ZÁKAZNÍKU

UPŘÍMNĚ VÁM DĚKUJEME ZA VÁŠ NÁKUP. VĚŘÍME, že brzy najdete dostatek důkazů, že se na naše produkty můžete opravdu spolehnout. Abychom usnadnili používání zařízení, připojujeme tento komplexní návod k použití.

Pokyny by vám měly pomoci seznámit se s novým spotřebičem. Před prvním použitím spotřebiče si je prosím pečlivě přečtete.

V každém případě se ujistěte, že vám byl spotřebič dodán nepoškozený. Pokud zjistíte a jakékoli poškození způsobené přepravou, kontaktujte svého obchodního zástupce nebo regionální sklad, odkud byl produkt dodán. Telefonní číslo najdete na potvrzení o doručení nebo balícím listě.

Přejeme vám hodně potěšení z vašeho nového domácího spotřebiče.



Přístroj pro domácí použití k ohřevu potravin a nápojů pomocí elektromagnetické energie, pouze pro vnitřní použití.

## NÁVOD K POUŽITÍ

Tyto pokyny jsou určeny pro uživatele.

Popisují spotřebič a jak ho používat. Jsou ale určeny také pro ostatní podobné typy spotřebičů, proto můžete najít některé popisy funkcí, které se na váš spotřebič nemusí vztahovat.



Nikdy se nedotýkejte ploch spotřebičů určených k vaření nebo ohřívání. Během provozu se zahřívají. Udržujte děti v bezpečné vzdálenosti. Hrozí nebezpečí popálení!



Zdroj mikrovlnného záření a vysoké napětí. Neodstraňujte kryt.

**VAROVÁNÍ!** Zařízení a jeho přístupné části se během používání zahřívají. Dbejte, abyste se nedotkli varných prvků. Děti mladší 8 let by se k zařízení neměly přibližovat, pokud nejsou pod neustálým dohledem dospělého. Dohlédněte na to, aby si se spotřebičem nehrály děti.

Děti starší osmi let a osoby se sníženými tělesnými, smyslovými a rozumovými schopnostmi či s nedostatkem znalostí a zkušeností mohou tento spotřebič používat pod odpovídajícím dohledem, nebo pokud byly poučeny o bezpečném používání spotřebiče a chápou nebezpečí spojená s jeho používáním.

Děti si se spotřebičem nesmějí hrát. Čištění a uživatelskou údržbu by neměly provádět děti, pokud nejsou starší 8 let a nejsou pod dohledem.

Udržujte zařízení a jeho kabel mimo dosah dětí mladších 8 let.

- **VAROVÁNÍ:** Je-li spotřebič provozován v kombinovaném režimu, mohou děti používat troubu z důvodu generovaných teplot pouze pod dohledem dospělého.

(Platí jen pro přístroje s funkcí grilu)

- **VAROVÁNÍ:** Pokud jsou dvířka nebo těsnění dvířek poškozené, trouba se nesmí používat, dokud ji neopraví kvalifikovaná osoba.
- **VAROVÁNÍ:** Pro kohokoli jiného, než kompetentní osobu je nebezpečné provádět jakékoli servisní nebo opravné operace, které zahrnují odstranění krytu poskytujícímu ochranu před vystavením mikrovlnné energii.
- **VAROVÁNÍ:** Tekutiny a jiné potraviny se nesmějí ohřívat v uzavřených nádobách, protože ty mohou explodovat.
- Dohlédněte na to, aby si se spotřebičem nehrály děti.
- Neodstraňujte nožičky trouby a neblokujejte větrací otvory trouby.
- Používejte pouze nádoby vhodné pro použití v mikrovlnných troubách.
- Při ohřívání potravin v plastových nebo papírových nádobách troubu kvůli možnosti vznícení hlídejte.
- Pokud se vyskytne kouř, ihned vypněte přístroj a zástrčku vytáhněte ze zásuvky; dvířka nechte otevřená a případný oheň uhasťte.
- Mikrovlnný ohřev nápojů může mít za následek opožděný erupční zavření, proto je při manipulaci s nádobou nutná opatrnost.
- Obsah lahví na krmení a nádob na dětskou výživu je třeba před konzumací promíchat nebo protřepat a zkontrolovat teplotu, aby nedošlo k popálení.

- Vejce ve skořápce a celá natvrdo uvařená vejce by se neměla ohřívat v mikrovlnných troubách, protože mohou explodovat, a to i po ukončení mikrovlnného ohřevu.
- Když čistíte povrchy dvířek, těsnění, vnitřek trouby, používejte pouze jemné neabrazivní čisticí prostředky nebo mýdla a nanášejte je pomocí houbičky nebo jemného hadříku.
- Troubu je třeba pravidelně čistit a odstraňovat veškeré zbytky jídla.
- Pokud nebudete troubu udržovat v čistém stavu, mohlo by to vést ke zhoršení povrchu, což by mohlo nepříznivě ovlivnit životnost spotřebiče a případně vést ke vzniku nebezpečné situace.
- Pokud je napájecí kabel poškozen, musí být vyměněn výrobcem, jeho servisním zástupcem nebo podobně kvalifikovanými osobami, aby se zabránilo nebezpečí.
- Nenechávejte kabel viset přes okraj stolu nebo pracovní desky.
- Abyste zabránili nebezpečí, nikdy zařízení nepřipojujte k externímu časovému spínači nebo systému dálkového ovládní.
- Nikdy sami nevyměňujte žárovku uvnitř trouby. Vždy ji musí vyměnit služba Gorenje.
- Nečistěte zařízení parními čističi, vysokotlakými čističi, ostrými předměty, abrazivními čisticími prostředky a houbičkami ani odstraňovači skvrn.

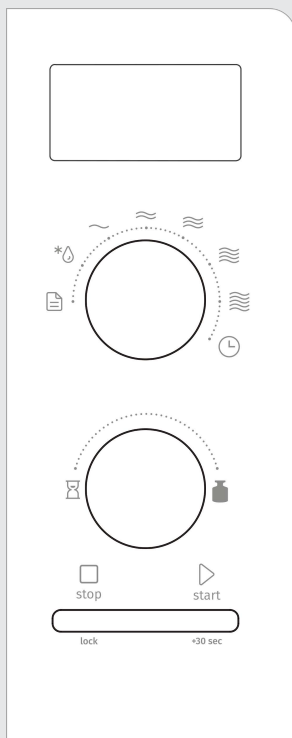
V dalším textu jsou uvedena některá pravidla a bezpečnostní opatření, na která stejně jako u jiných přístrojů musí být brán zřetel, aby přístroj fungoval bezvadně, účinně a dlouhodobě bez problémů:

1. Pokud je mikrovlnná trouba v činnosti, musí být skleněný talíř, držáky válce, spojka a drážky vždy na svém místě.
2. Nepoužívejte troubu pro žádné jiné účely než pro přípravu jídel; v mikrovlnné troubě nesušte oblečení, papír nebo jiné předměty a nepoužívejte ji pro sterilizaci.
3. Nikdy nezapínejte troubu, pokud je prázdná, protože byste ji mohli poškodit.
4. V mikrovlnné troubě neskladujte žádný předmět: např. papír, recepty atd.
5. Nevařte pokrmy s blánou nebo slupkou, např. vaječné žloutky, brambory, kuřecí játra atd., aniž byste předtím blánu nebo slupku na více místech před vařením propíchlí.
6. Nevkládejte žádné předměty do otvorů na vnější straně trouby.
7. Nikdy nedemontujte části trouby, např. patky, zámek, šroubky atd.
8. Nevařte pokrmy přímo na skleněném talíři v troubě. Než pokrm vložíte do trouby, dejte jej do vhodné nádoby. **DŮLEŽITÉ** – Kuchyňské nádobí, jehož použití v mikrovlnné troubě je zakázáno:
  - Nepoužívejte kovové pánve nebo nádoby s kovovými držadly.
  - Nepoužívejte nádobí s hranami potaženými kovem.
  - Nepoužívejte papírem potažené kovové drátky k zavírání igelitových sáčků.
  - Nepoužívejte nádobí z melaminu, protože obsahuje materiál, který absorbuje mikrovlnné paprsky. To může způsobit, že nádoba praskne nebo se spálí, kromě toho může zpomalit rychlost ohřívání nebo vaření.
  - Nepoužívejte nádobí bez vhodné ochrany, která je určena k používání v mikrovlnné troubě. Nepoužívejte ani uzavřené nádobí s rukojetí.
  - Nepřipravujte pokrmy nebo nápoje v nádobí se zúženým okrajem, např. láhev, která může při ohřívání prasknout.
  - Nepoužívejte klasické teploměry na maso a cukroví.
  - Používat můžete pouze teploměry, které jsou určeny k použití v mikrovlnných troubách.
9. Pomůcky pro mikrovlnnou troubu používejte pouze v souladu s návody jejich výrobce.
10. Nepokoušejte se v mikrovlnné troubě smažit potraviny.
11. Dbejte na to, aby se v troubě ohřál pouze obsah nádoby, a ne samotná nádoba, ve které se obsah nachází.

Může se totiž stát, že po nadzvednutí pokličky se obsah v nádobě odpařuje nebo z něj stříkají kapky, přestože samotná poklice není horká.



12. Před použitím vždy zkontrolujte teplotu pokrmu, obzvláště pokud je pokrm určen dětem.  
Doporučujeme vám, abyste nikdy neochutnávali pokrmy přímo z trouby. Nejdříve nádobu vyjměte a obsah promíchejte, aby se teplota rovnoměrně rozdělila.
13. Pokrmy, které obsahují emulzi omastku a vody, např. polévkový základ, musejí v troubě zůstat ještě 30 až 60 sekund po vypnutí. Vývar přestane vřít a nebude bublat, pokud jej promícháte, nebo do něj vložíte polévkovou kostku.
14. Při přípravě pokrmů dávejte pozor, aby se některé druhy pokrmů, např. vánoční pudink, marmeláda nebo mleté maso, neohřály příliš rychle. K ohřívání nebo vaření pokrmů, které obsahují větší množství tuku, nepoužívejte umělohmotné nádoby.
15. Pomůcky, které používáte při přípravě pokrmů v mikrovlnné troubě, se mohou velmi zahřát, protože pokrmy vylučují teplo. Zejména to platí v případě, kdy je horní část nádoby přikrytá umělohmotnou poklicí nebo krytem. Na přenesení takové nádoby budete potřebovat kuchyňské rukavice.
16. Abyste snížili riziko požáru v mikrovlnné troubě:
  - a) Nepřevařujte jídlo. Pečlivě kontrolujte průběh ohřívání, pokud se v troubě nacházejí papírové nebo umělohmotné pomůcky, případně nádoby z hořlavého materiálu.
  - b) Než položíte sáček do mikrovlnné trouby, odstraňte drátky, které slouží k jeho uzavírání.
  - c) Pokud předmět v troubě začne hořet, nechte dvířka trouby zavřená, vypněte troubu, vytáhněte zástrčku ze zásuvky nebo vypněte hlavní pojistku na pojistkovém panelu.

## OVLÁDACÍ PANEĽ









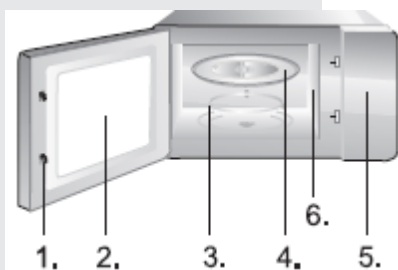
**ZOBRAZOVACÍ JEDNOTKA**  
Zobrazuje vybrané funkce a čas.

### TLAČÍTKA

-  zastavit/zamknout
-  start/30 sek

### OTOČNÝ KNOFLÍK

-  Automatické menu
-  Rozmrazování
-  Mikrovlny
-  Hodiny
-  Čas
-  Hmotnost



1. Bezpečnostní systém zamykání dvířek
2. Okno trouby
3. Válcový kroužek
4. Skleněný talíř
5. Kontrolní panel
6. Vlnovod (neodstraňujte prosím slídovou desku zakrývající vlnovod)

## 1. PŘED VAŘENÍM

Displej se rozsvítí po připojení ke zdroji napájení, poté přejde do pohotovostního stavu a na displeji se zobrazí 0:00.

## 2. FUNKCE MIKROVLN

Existuje pět úrovní palebné síly, 100P, 80P, 50P, 30P a 10P. Otočením ovladače výše vyberte požadovaný mikrovlnný výkon. Otočením knoflíku níže vyberte dobu vaření, časový rozsah, který lze regulovat, je od 0:10 do 60:00. Po zadání doby vaření zahajte práci stisknutím tlačítka „START/+30s“. Bzučivý zvuk oznamující dokončení operace.

|                |                     |   |
|----------------|---------------------|---|
| VYSOKÝ         | 100% výstupní výkon | (Použitelné pro rychlé a důkladné vaření) |
| Středně vysoký | 80% výstupní výkon  | (Použitelné pro středně rychlé vaření)    |
| Střední        | 50% výstupní výkon  | (Použitelné pro vaření pokrmů v páře)     |
| Středně nízký  | 30% výstupní výkon  | (Použitelné pro rozmrazování potravin)    |
| NÍZKÝ          | 10% výstupní výkon  | (Použitelné pro udržení tepla)            |

### POZNÁMKA:

- Maximální čas, který lze nastavit, je 60 minut.
- Nikdy nepoužívejte troubu, pokud je prázdná.
- Při maximálním mikrovlnném výkonu trouba po určité době vaření automaticky sníží výkon, aby se prodloužila životnost.
- Chcete-li během provozu jídlo otočit, stiskněte jednu tlačítko START/+30s a nastavený postup přípravy bude pokračovat.
- Pokud máte v úmyslu vybrat jídlo před stanoveným časem, musíte stisknout STOP/LOCK. Stiskněte jedenkrát tlačítko STOP/LOCK a vymaže se přednastavený postup, abyste zabránili neúmyslnému použití při další přípravě.

## 3. ROZMRAZOVÁNÍ

Funkce odmrazování spočívá v odmrazování podle hmotnosti a odpovídá zobrazení „dEF“. Otočením knoflíku nahore vyberte funkci rozmrazování a na displeji se zobrazí „dEF“. Otočením knoflíku níže vyberte hmotnost potravin, rozsah hmotnosti dEF je od 100 g do 1500 g. Po výběru hmotnosti rozmrazování zahajte práci stisknutím tlačítka „START/+30s“. Bzučivý zvuk oznamující dokončení operace. V režimu rozmrazování dEF1 podle hmotnosti se ozve pípnutí, které vyveze jídlo k otočení během rozmrazování.

Níže jsou uvedeny některé rady ohledně doby rozmrazování potravin:

|     |   |
|-----|---|
| dEF | Pro rozmrazování je hmotnostní rozsah od 100 g do 1500 g. |
|-----|---|

#### POZNÁMKA:

- f. Aby se dosáhlo jednotný účinek, je třeba jídlo během procesu rozmrazování převrátit.
- g. Rozmrazování obvykle trvá delší dobu jako konečná příprava jídla.
- h. Pokud se jídlo dá krájet nožem, proces rozmrazování lze považovat za dokončený.
- i. Mikrovlny proniknou do hloubky 4 cm ve většině potravin.
- j. Rozmrazené jídlo by se mělo konzumovat co nejdříve, nedoporučujeme je vrátit zpět do lednice a znovu zmrazovat.

#### 4. HODINY (24hodinový formát)

Otočením knoflíku nahoře vyberte funkci hodin, stiskněte tlačítko „START/+30s“ na déle než 3 sekundy pro vstup do rozhraní nastavení hodin. Současně na displeji blikají hodiny. Hodiny lze nastavit otáčením knoflíku níže. Po nastavení hodin stiskněte krátce tlačítko "START/+30s" pro přechod do režimu nastavení minut. Minuty lze nastavit otáčením knoflíku níže. Po nastavení minut stiskněte znovu tlačítko "START/+30s" pro opuštění režimu nastavení.

#### 5. AUTOMATICKÉ VAŘENÍ

K dispozici je osm automatických menu A.1~A.8: brambory, těstoviny, pizza, popcorn, zelenina, nápoje, maso a ryby. Stisknutím knoflíku nahoře vyberte funkci nabídky, poté otáčením knoflíku níže vyberte požadovanou nabídku, na displeji se zobrazí odpovídající nabídky A.1~A.8. Po výběru nabídky zahajte práci stisknutím tlačítka „START/+30s“. Bzučivý zvuk oznamující dokončení operace.

| Displej | Druh      | Metoda                                    |
|---------|-----------|---|
| A.1     | Brambory  | Volitelná hmotnost je 500 g               |
| A.2     | Těstoviny | Volitelná hmotnost je 100 g               |
| A.3     | Pizza     | Volitelná hmotnost je 400 g               |
| A.4     | Popcorn   | Volitelná hmotnost je 100 g               |
| A.5     | Zelenina  | Volitelná hmotnost je 400 g               |
| A.6     | Nápoj     | Volitelná hmotnost je 1 šálek, asi 250 ml |
| A.7     | Maso      | Volitelná hmotnost je 400 g               |
| A.8     | Ryba      | Volitelná hmotnost je 400 g               |

## POZNÁMKA:

- a. Teplota jídla před vařením by měla být 20-25°C. Vyšší nebo nižší teplota jídla před vařením by vyžadovala prodloužení nebo zkrácení doby vaření.
- b. Teplota, hmotnost a tvar jídla do značné míry ovlivní účinek vaření. Pokud se zjistí odchylka od faktorů uvedeného v nabídce výše, můžete čas vaření upravit tak, abyste dosáhli nejlepšího výsledku.

---

### 6. STOP

V procesu nastavování vaření můžete stisknutím tlačítka „STOP“ zrušit nastavení a vrátit se do pohotovostního stavu. V procesu mikrovlnné trouby lze práci pozastavit stisknutím tlačítka „STOP“. V pohotovostním stavu můžete opětovným stisknutím tlačítka „STOP“ funkci zrušit a vrátit se do pohotovostního stavu.

---

### 7. START/+30s

Po nastavení doby vaření nebo hmotnosti jídla stiskněte tlačítko „START/+30s“ pro okamžité spuštění mikrovlnné trouby. Při provozu lze stisknutím tlačítka „START/+30s“ prodloužit čas, jedním stisknutím prodloužit 30 sekund, ale režim nabídky a režim rozmrazování hmotnosti nemohou čas upravit. Ve stavu pauzy můžete stisknutím tlačítka „START/+30s“ pokračovat v mikrovlnné troubě před režimem vaření.

---

### 8. FUNKCE DĚTSKÉHO ZÁMKU

Tuto funkci použijte k uzamčení ovládacího panelu při čištění nebo k tomu, aby děti nemohly troubu používat bez dozoru. V tomto režimu jsou všechna tlačítka nefunkční.

1. Nastavení zámku: V pohotovostním režimu stiskněte tlačítko "STOP" na déle než 3 sekundy, funkce dětského zámku se aktivuje a všechna tlačítka mikrovlnné trouby nelze ovládat.
2. Zrušení zámku: Ve stavu dětské pojistky stiskněte tlačítko "STOP" na déle než 3 sekundy pro zrušení funkce dětské pojistky.

1. Než začnete čistit mikrovlnnou troubu, vytáhněte zástrčku ze zásuvky.
2. Vnitřek trouby udržujte vždy v čistotě. Pokud částičky pokrmu nebo tekutiny, které stříkají na stěny nebo dno trouby, zaschnou, otřete je navlhčeným hadříkem. Nedoporučuje se používání hrubých čisticích nebo agresivních prostředků.
3. Vnější povrch trouby čistěte navlhčeným hadříkem. Aby nedošlo k poškození vnitřních stěn mikrovlnné trouby, dbejte na to, aby se do průduchů nevyliila voda.
4. Kontrolní panel nesmí přijít do kontaktu s vodou. Čistěte ho měkkým a navlhčeným hadříkem. K čištění kontrolního panelu nepoužívejte mycí nebo agresivní čisticí prostředky ani prostředky ve spreji.
5. Pokud se na vnitřním nebo vnějším povrchu trouby objeví pára, otřete ji měkkým hadříkem. To se může stát v případě, že mikrovlnnou troubu používáte ve vlhkých místnostech, v žádném případě se nejedná o poruchu trouby.
6. Občas vyjměte také skleněný talíř z trouby a očistěte jej. Skleněný talíř (podstavec) myjte teplou vodou nebo v myčce.
7. Ložiskový prstenec a dno (spodní povrch) vnitřní části trouby je třeba pravidelně čistit, v opačném případě může trouba pracovat hlučně. Jednoduše očistěte dno v troubě jemným čisticím prostředkem, vodou nebo prostředkem na čištění skla a nechte uschnout. Ložiskový prstenec můžete omývat teplou vodou nebo v myčce na nádobí. Po dlouhodobém používání trouby se na kolečkách ložiskového prstence objeví výpary, které se uvolňují při vaření; nemají žádný vliv na jeho funkci. Při vyjmutí ložiskového prstence z drážky na dně komory (vnitřku trouby) dejte pozor, abyste ho zase správně umístili.
8. Případný nepříjemný pach z trouby můžete odstranit tak, že do hluboké nádoby na přípravu pokrmů v troubě nalijete šálek vody a nakrájíte kůru z jednoho citronu. Nádobu vložte na pět minut do mikrovlnné trouby a troubu zapněte.

---

### ŽIVOTNÍ PROSTŘEDÍ

Až přístroj doslouží, nevyhazujte jej do běžného komunálního odpadu, ale odevzdejte jej do sběrný určené pro recyklaci. Pomůžete tím chránit životní prostředí.

## INSTALACE

1. Nejdříve zkontrolujte, jestli jste z vnitřku trouby vyndali veškerý obalový materiál.
2. Po jeho odstranění zkontrolujte troubu, jestli nedošlo k jejímu poškození, např.:
  - ohnuté dveře,
  - poškozené dveře,
  - poškození nebo nerovnosti ve skle (okénku) na dveřích nebo na displeji,
  - nerovnosti ve vnitřku trouby.Jakmile zjistíte některé z uvedených poškození, přestaňte troubu používat.
3. Mikrovlnná trouba váží 10,3 kg; postavte ji na rovnou a dostatečně pevnou plochu, která unese váhu trouby.
4. Troubu položte, co nejdále od tepelných zdrojů a páry.
5. Na horní stěnu trouby nic nepokládejte.
6. Pro správnou cirkulaci vzduchu kolem přístroje by mělo být: kolem trouby alespoň 20 cm a nad ní 30 cm volného prostoru.
7. Neodnímejte pohonnou hřídel otočného talíře uvnitř trouby.
8. Pokud mikrovlnnou troubu používají děti, musejí být pod pečlivým dohledem dospělých osob.
9. Elektrická zásuvka musí být přístupná tak, aby bylo možné spotřebič v případě nouze snadno odpojit. Nebo by mělo být možné izolovat troubu od napájení začleněním vypínače odpovídajícího pravidlům pro kabeláž. V tomto případě je třeba dodržovat stávající ustanovení norem elektrické bezpečnosti. Připojte spotřebič ke zdroji jednofázového napětí 230 V/50 Hz střídavého proudu prostřednictvím správně nainstalované zásuvky s uzemněním. **VAROVÁNÍ! TOTO ZARÍZENÍ MUSÍ BÝT UZEMNENO!**
10. Trouba potřebuje 1,3 kVA příkonu. Doporučujeme vám, abyste se při instalaci trouby poradili s opravářem, případně s vhodným odborníkem.

**POZOR: Trouba je vybavena vlastní pojistkou, a to 250 V, 8 A.**

## SPECIFIKACE

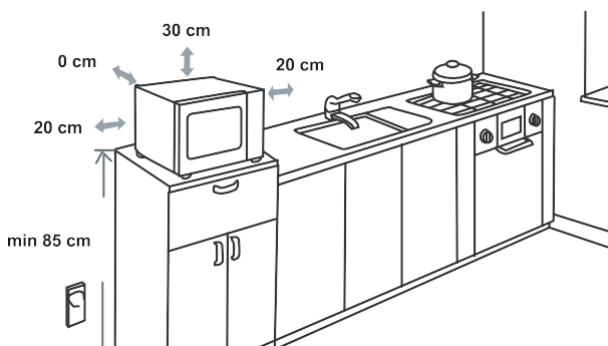
Spotřeba el. energie ..... 220-240V - 50Hz, 1280W  
Výkon..... .800W  
Funkční frekvence ..... .2450MHz  
Vnější rozměry .... 454,5 mm(W) x 261 mm(H) x 353 mm(D)  
Objem trouby ..... 20 litrů  
Hmotnost bez obalu..... přibližně 10,3 kg  
Hladina hluku ..... Lc < 55 dB (A)



**Tento přístroj je označen v souladu s evropskou směrnicí 2002/96/ES o elektrickém a elektronickém odpadu (waste electrical and electronic equipment - WEEE).**

**Směrnice obsahuje nařízení o sběru a nakládání s odpady elektrického a elektronického charakteru, které platí v EU.**

## ROZMĚRY PRO INSTALACI



## PORUCHY FUNKCE

Mikrovlnná trouba může způsobit poruchu funkce vašeho rádiového nebo televizního přijímače, popř. jiných obdobných přístrojů. V případě, že se vyskytne interference, můžete tuto poruchu snížit, případně zcela odstranit, následovně:

- Očistěte dveře a povrch těsnění v troubě.
- Umístěte rušený přijímač co možná nejdále od mikrovlnné trouby.
- Své rádio nebo televizi vybavte vhodnou anténou, kterou umístěte tak, aby zajistila silný příjem signálu.

**VYHRAZUJEME SI PRÁVO NA ZMĚNY, KTERÉ NEMAJÍ  
VLIV NA FUNKČNOST SPOTŘEBIČE.**

## NEŽ ZAVOLÁTE OPRAVÁŘE

1. V případě, že mikrovlnná trouba vůbec nefunguje, nebo se nerozsvítí displej, popř. zhasne:
  - a) Zkontrolujte, jestli je trouba správně připojena do elektrické sítě. Pokud není, vytáhněte zástrčku ze zásuvky a vyčkejte 10 vteřin; poté ji znovu zastrčte.
  - b) Zkontrolujte, jestli je pojistka elektrického vedení neporušená, nebo jestli nevypadla pojistka v domě. Pokud jsou všechny pojistky funkční, vyzkoušejte zásuvku zapojením jiného přístroje.
2. V případě, že mikrovlnná trouba nehřeje, tj. nevytváří mikrovlnný paprsek:
  - a) Zkontrolujte, jestli jsou programovací hodiny správně nastavené.
  - b) Zkontrolujte, jestli jsou dvířka správně zavřená a bezpečnostní zámek uzamčen. Pokud tomu tak není, trouba nebude fungovat.

**V případě, že se vám pomocí tohoto návodu nepodařilo odstranit závadu, spojte se s autorizovaným opravářem.**

**Přístroj pro domácí použití k ohřevu potravin a nápojů pomocí elektromagnetické energie, pouze pro vnitřní použití.**

## ZÁRUKA A SERVIS

Pokud potřebujete informace nebo máte problém, obraťte se na středisko péče o zákazníky Gorenje ve vaší zemi (jeho telefonní číslo najdete v letáku s celosvětovou zárukou). Pokud ve vaší zemi není Centrum péče o zákazníky, obraťte se na místního prodejce Gorenje nebo se obraťte na servisní oddělení domácích spotřebičů Gorenje.

### Pouze pro osobní potřebu!

Další doporučení pro vaření v mikrovlnné troubě a užitečné rady najdete na webové stránce:

<http://www.gorenje.com>

**PŘEJEME VÁM MNOHO POTĚŠENÍ PŘI POUŽÍVÁNÍ SPOTŘEBIČE**

**gorenje**

---

**УВАЖАЕМИ КЛИЕНТИ**

Благодарим ви за покупката. Вярваме, че скоро ще се убедите, че наистина може да разчитате на нашите продукти. За да бъде ползването на уреда по-лесно, прилагаме това обстойно ръководство за употреба.

Ръководството ще ви помогне да опознаете вашия нов уред. Прочетете го внимателно, преди да използвате уреда за първи път.

При всички случаи се уверете, че уредът ви е доставен без нанесени щети. Ако откриете щети вследствие на транспортирането, свържете се с вашия търговски представител или регионалния склад, от който е доставен продуктът. Ще намерите телефона на касовата бележка или в протокола за доставка.

Пожелаваме ви приятни мигове с вашия нов кухненски уред.



Уредът е само за домашна употреба на закрито, за претопляне на храни и напитки чрез електромагнитна енергия.

---

**ИНСТРУКЦИИ  
ЗА УПОТРЕБА**

Тези инструкции са предназначени за потребителя. Те описват уреда и как да го ползвате. Инструкциите се отнасят до различни видове уреди, затова може да откриете описания на функции, които не се отнасят до вашия уред.



Никога не докосвайте повърхностите на отоплителни или готварски уреди. Те ще се нагорещят по време на работа. Пазете децата на безопасно разстояние. Съществува риск от изгаряне!



Микровълнова енергия и високо напрежение! Не махайте капака.

**ПРЕДУПРЕЖДЕНИЕ!** Уредът и достъпните му части се нагорещяват по време на употреба. Внимавайте да не докоснете нагревателните елементи. Децата под 8-годишна възраст трябва да бъдат държани далеч от уреда, освен ако не са наблюдавани непрекъснато. Децата трябва да бъдат наглеждани, за да се уверите, че не си играят с уреда.

Този уред може да бъде използван от деца, навършили 8-годишна възраст, или по-големи, както и от лица с намалени физически, сензорни или умствени способности или с недостатъчно опит и познания, ако са под наблюдение или са инструктирани за безопасна употреба и са наясно с евентуалните опасности. Не позволявайте на деца да си играят с уреда. Почистването и поддръжката не трябва да се извършват от деца, освен ако те не са на възраст над 8 години и се наблюдават от възрастен.

Дръжте уреда и неговия кабел далеч от деца под 8-годишна възраст.

- **ПРЕДУПРЕЖДЕНИЕ:** Когато уредът работи в комбиниран режим, децата трябва да ползват фурната само под наблюдение от възрастен заради генерираните температури (само за модела с грил функция).

- **ПРЕДУПРЕЖДЕНИЕ:** Ако вратата или уплътненията на вратата са повредени, фурната не трябва да се ползва, докато не бъде ремонтирана от компетентно лице.
- **ПРЕДУПРЕЖДЕНИЕ:** Опасно е за всички освен компетентните лица да извършват сервизни или ремонтни дейности, които включват отваряне на капака, осигуряващ защита срещу излагане на микровълнова енергия.
- **ПРЕДУПРЕЖДЕНИЕ:** Течности и други храни не трябва да се нагряват в запечатани опаковки, тъй като може да избухнат.
- Децата трябва да бъдат наглеждани, за да се уверите, че не си играят с уреда.
- Не отстранявайте крачетата на фурната, не блокирайте вентилационните отвори.
- Използвайте само кухненски съдове, които са подходящи за ползване в микровълнови фурни.
- Когато нагрявате храна в пластмасова или хартиена опаковка, дръжте фурната под око поради опасност от запалване.
- Ако забележите пушек, изключете или извадете щепсела от контакта и дръжте вратата затворена, за да задушите пламъците.
- Нагряването на напитки в микровълнова фурна може да доведе до отложено внезапно завиране, затова внимавайте, като боравите със съда.
- Съдържанието на бутилки и бурканчета с бебешка храна трябва да бъде разклатено или разбъркано, а температурата да бъде проверявана преди консумация, за да се избегнат изгаряния.
- Яйца с черупка и цели твърдо сварени яйца не трябва да се нагряват в микровълнови фурни, тъй като могат да избухнат, дори след като нагряването е приключило.

- Когато почиствате вратата, уплътнението ѝ, вътрешността на фурната, използвайте меки, неабразивни почистващи препарати или разтворители, които се прилагат с гъба или мека кърпа.
- Фурната трябва да се почиства редовно и всички остатъци от храна да бъдат отстранявани.
- Ако фурната не се поддържа чиста, това може да доведе до повреда на повърхностите, което може да съкрати живота на уреда и да доведе до опасна ситуация.
- Ако хранващият кабел е повреден, той трябва да бъде сменен от производителя, негов упълномощен сервиз или квалифициран техник, за да се избегне всякаква опасност.
- Не позволявайте кабелът да виси от ръба на масата или работния плот.
- Никога не свързвайте уреда към външен таймер или система за дистанционно управление, за да избегнете опасни ситуации.
- Никога не сменяйте крушката във вътрешността на фурната. Тя винаги трябва да се сменя в сервиз на Gorenje.
- Не почиствайте уреда с парочистачки, почистващи уреди под високо налягане, остри предмети, абразивни почистващи препарати, груби гъби или препарати за отстраняване на петна.

По-долу, както при всички уреди, са изредени определени правила и предпазни мерки, които да осигурят най-добрата работа на фурната:

1. Винаги поставяйте на мястото им стъкления поднос, раменете на ролера, сдвояващите приспособления, когато работите с фурната.
2. Не използвайте фурната за друго освен за приготвяне на храна като например сушене на дрехи, хартия или други нехранителни предмети, или за стерилизиране.
3. Не работете с фурната, когато е празна. Това може да я повреди.
4. Не използвайте фурната за съхранение на документи, готварски книги и др.
5. Не гответе храна, съдържаща мембрана като жълтъци, картофи, пилешки дробчета и др. без предварително да сте я надупчили няколко пъти с вилица.
6. Не пъхайте никакви предмети в отворите на корпуса.
7. Никога не отстранявайте части от фурната като например крачетата, сдвояването, винтове и др.
8. Не гответе храна директно върху стъкления поднос. Поставете храната върху/в подходящ готварски съд преди да я сложите във фурната.

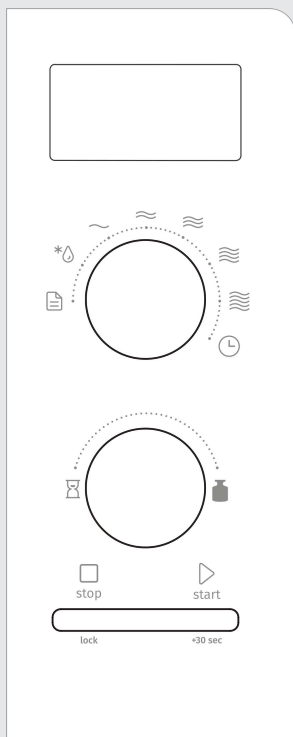
**ВАЖНО** - КУХНЕНСКИ СЪДОВЕ, КОИТО НЕ ТРЯБВА ДА ПОЛЗВАТЕ С ФУРНАТА

- Не използвайте метални съдове или съдове с метални дръжки.
  - Не използвайте нищо с метални ръбове.
  - Не използвайте пластмасови торбички с метални дръжки, покрити с хартия.
  - Не използвайте меламинови съдове, защото съдържат материал, който поглъща енергията от микровълните. Това може да причини напукване и нащърбване на съдовете и ще забави скоростта на готвене.
  - Не използвайте съдове Centura. Глазурата не е подходяща за ползване в микровълнови фурни. Чаши Corelle Livingware не трябва да се използват.
  - Не гответе в опаковка с ограничено отваряне като бутилка или запечатана бутилка зехтин, тъй като може да избухнат при нагряване в микровълнова фурна.
  - Не използвайте обикновени термометри за месо или сладкиши.
  - Съществуват термометри специално за микровълново готвене. Те могат да се използват.
9. Съдовете за микровълнови фурни трябва да се използват само в съответствие с инструкциите на производителя.
  10. Не опитвайте дълбоко пържене на храни в тази фурна.
  11. Моля, обърнете внимание, че микровълновата фурна нагрява течността в съда, а не самия съд.

Затова, дори когато капакът на съда не е горещ на пипане при изваждане от фурната, храната/течността вътре в него ще изпускат същото количество пара и/или кипи както когато се махне капакът при обикновеното готвене.

12. Винаги пробвайте температурата на сготвената храна особено ако топлите или готвите храна/течности за бебета. Препоръчително е никога да не консумирате храна/течности директно от фурната, а да изчакате няколко минути и да разбъркате, за да стане температурата равномерна.
13. Храна, която съдържа смес от мазнина и вода, например бульон, трябва да остане във фурната 30-60 секунди след като фурната е била изключена. Това позволява на сместа да се уталожи и предотвратява бълбукането, когато вътре се сложи лъжица или се добави кубче бульон.
14. Когато приготвяте/готвите храни/напитки, помнете, че определени храни, например коледни пудинги, конфитюри и кайма, се сгорещяват много бързо. Когато претопляте или готвите храни с високо съдържание на мазнини или захар, не използвайте пластмасови съдове.
15. Съдовете за готвене може да се нагорещят заради топлината, предадена им от готвената храна. Това е особено вярно, ако пластмасово фолио покрива горната част и дръжките на съда за готвене. Може да са необходими ръкохватки за изваждане на съда.
16. За да намалите риска от запалване във вътрешността на фурната:
  - a) Не гответе храната излишно дълго. Внимателно следете фурната, ако хартиени, пластмасови или други горими материали са поставени във вътрешността за улесняване на готвенето.
  - b) Отстранете металните дръжки на торбичките, преди да ги поставите във фурната.
  - c) Ако материалите вътре във фурната се запалят, оставете вратата затворена, изключете от контакта на електрическата мрежа или прекъснете захранването от централното табло/ панела за прекъсване на веригата.

# КОНТРОЛЕН ПАНЕЛ



## ДИСПЛЕЙ

Извежда избраните функции и време.

## БУТОНИ

 stop/lock

 start/+30 sec

## ВЪРТЯЩО СЕ КОПЧЕ


 Автоматични програми

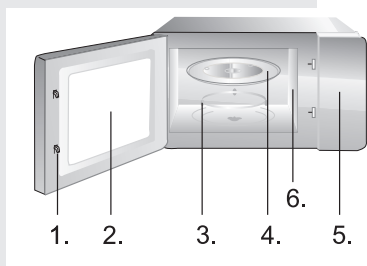
\* Размразяване

 Микровълни

 Часовник

 Време

 Тегло



1. Система за безопасно заключване на вратата
2. Прозорец на фурната
3. Пръстен
4. Стъклен поднос
5. Контролен панел
6. Вълновод (моля, не премахвайте слюдената пластина, покриваща вълновода)

# ИНСТРУКЦИИ ЗА УПОТРЕБА

## 1. ПРЕДИ ГОТВЕНЕ

Дисплеят светва при включване на захранването, след това влиза в режим на готовност и показва 1:00.

## 2. МИКРОВЪЛНОВА ФУНКЦИЯ

Има пет степени на мощност - 100P, 80P, 50P, 30P и 10P. Натиснете копчето по-горе, за да изберете желаната микровълнова мощност. Завъртете копчето по-долу, за да изберете времето за готвене в диапазона от 0:10 до 60:00. След избора на време за готвене натиснете бутона "START/+30s", за да стартира фурната. Звуков сигнал ще обозначи края на работата.

|               |                             |  |
|---------------|-----------------------------|--|
| <b>HIGH</b>   | <b>100% изходна мощност</b> | <b>(Подходящо за бързо и цялостно готвене)</b> |
| <b>M.High</b> | <b>80% изходна мощност</b>  | <b>(Подходящо за средно бързо готвене)</b>     |
| <b>Med</b>    | <b>50% изходна мощност</b>  | <b>(Подходящо за задушаване на храната)</b>    |
| <b>M.Low</b>  | <b>30% изходна мощност</b>  | <b>(Подходящо за размразяване на храната)</b>  |
| <b>LOW</b>    | <b>10% изходна мощност</b>  | <b>(Подходящо за поддържане на топлината)</b>  |

### БЕЛЕЖКА:

- Максималното време на работа, което може да се зададе, е 60 минути.
- Никога не включвайте фурната празна.
- При максимална микровълнова мощност фурната автоматично ще намали мощността след определено време на готвене, за да удължи експлоатационния живот.
- Ако обърнете храната по време на работа, натиснете бутона START/+30s веднъж и предварително зададената процедура за готвене ще продължи.
- Ако възнамерявате да извадите храната преди предварително зададеното време, трябва да натиснете еднократно бутона STOP/LOCK, за да анулирате предварително зададената процедура и да избегнете непреднамерена работа при следваща употреба.

## 3. РАЗМРАЗЯВАНЕ

Функцията е за размразяване според теглото и съответства на дисплей "dEF". Завъртете копчето по-горе, за да изберете функцията за размразяване и на дисплея ще се изведе "dEF". Завъртете копчето по-долу, за да изберете теглото на храната в диапазона от 100 g до 1500 g. След избора на теглото за размразяване натиснете бутона "START/+30s", за да стартира фурната. Звуков сигнал ще обозначи края на работата. В режим dEF за размразяване според теглото ще прозвучи звуков сигнал, за да ви подкани да обърнете храната по време на размразяването.

Ето и няколко съвета за размразяване на храната:

|     |   |
|-----|---|
| dEF | За размразяване с диапазон на теглото от 100 g до 1500 g. |
|-----|---|

#### **БЕЛЕЖКА:**

- a. Необходимо е да се обърне храната по време на работа, за да се постигне еднороден ефект.
- b. Обикновено размразяването се нуждае от повече време от това за готвене на храната.
- c. Ако храната може да се реже с нож, процесът на размразяване може да се счита за завършен.
- d. Микровълните проникват на около 4 cm в повечето храни.
- e. Размразената храна трябва да се консумира възможно най-скоро, не се препоръчва да се връща в хладилник и да се замразява отново.

#### **4. ЧАСОВНИК (24-часов формат)**

Завъртете копчето по-горе, за да изберете функцията Часовник, натиснете бутона "START/+30s" за повече от 3 секунди, за да влезете в интерфейса с настройки на часовника. В същото време часовете на дисплея ще мигат. Часовете могат да бъдат сверени чрез завъртане на копчето по-долу. След сверяване на часовете натиснете бутона "START/+30s" за кратко, за да превключите в режима за сверяване на минутите. Минутите могат да бъдат сверени чрез завъртане на копчето по-долу. След задаване на минутите натиснете бутона "START/+30s" отново, за да излезете от режима на сверяване.

#### **5. АВТОМАТИЧЕН РЕЖИМ НА ГОТВЕНЕ**

Има осем автоматични програми A.1-A.8: картофи, паста, пуканки, зеленчуци, напитки, месо и риба. Натиснете копчето по-горе, за да изберете функцията за автоматични програми, след това завъртете копчето по-долу, за да изберете желаната програма; на дисплея се извежда съответната програма A.1-A.8. След избора на програма натиснете бутона "START/+30s", за да стартира фурната. Звук сигнал ще обозначи края на работата.

| Дисплей | Вид                      | Начин на приготвяне:                      |
|---------|--------------------------|---|
| A.1     | Potato<br>(Картофи)      | Опционалното тегло е 500 g                |
| A.2     | Pasta<br>(Паста)         | Опционалното тегло е 100 g                |
| A.3     | Pizza<br>(Пица)          | Опционалното тегло е 400 g                |
| A.4     | Popcorn<br>(Пуканки)     | Опционалното тегло е 100 g                |
| A.5     | Vegetable<br>(Зеленчуци) | Опционалното тегло е 400 g                |
| A.6     | Beverage<br>(Напитки)    | Опционалното тегло е 1 чаша, около 250 ml |
| A.7     | Meat<br>(Месо)           | Опционалното тегло е 400 g                |
| A.8     | Fish<br>(Риба)           | Опционалното тегло е 400 g                |

### **БЕЛЕЖКА:**

- а. Температурата на храната преди готвене трябва да бъде 20-25°. По-висока или по-ниска температура на храната преди готвене ще изисква увеличаване или намаляване на времето за готвене.
- б. Температурата, теглото и формата на храната до голяма степен ще повлияят върху готвенето. Ако е установено някакво отклонение спрямо горното изискване, можете да настроите времето за готвене за най-добър резултат.

---

## **6. STOP**

В процеса на настройка можете да натиснете бутона "STOP", за да отмените настройките и да се върнете в режим на готовност. В процеса на работа на микровълновата фурна, можете да натиснете бутона "STOP", за да направите пауза. В режим на готовност можете да натиснете бутона "STOP" отново, за да отмените функцията и да се върнете в режим на готовност.

---

## **7. START/+30s**

След избора на време за готвене натиснете бутона "START/+30s", за да стартира фурната незабавно. В режим на работа можете да натиснете бутона "START/+30s", за да увеличите времето. Натиснете веднъж, за да увеличите с 30 секунди, но режимите на автоматични програми и размразяване според теглото не позволяват регулиране на времето. В режим на пауза можете да натиснете бутона "START/+30s", за да продължи микровълновата фурна предишния режим на готвене.

---

## **8. ФУНКЦИЯ ЗА ЗАЩИТА НА ДЕЦА**

Използвайте тази функция, за да заключите контролния панел, когато почиствате фурната, или за да предотвратите ползването ѝ от деца без надзор. В този режим всички бутони са неактивни.

1. Задаване на защита за деца: В режим на готовност натиснете бутона "STOP" за повече от 3 секунди. Функцията за защита на деца се включва и всички бутона на микровълновата фурна стават неактивни.
2. Отмяна на защита за деца: В режим на активна защита за деца натиснете бутона "STOP" за повече от 3 секунди, за да отмените функцията.

1. Преди почистване изключете фурната и издърпайте захранващия кабел от контакта на електрическата мрежа.
2. Поддържайте вътрешността на фурната чиста. Когато пръски от храната полепнат по стените на фурната, избършете ги с влажна кърпа. Употребата на силни разтвори или абразивни почистващи препарати не се препоръчва.
3. Външните повърхности на фурната трябва да се почистват с влажна кърпа. За да предотвратите повреда на работещите части вътре във фурната, във вентилационните отвори не трябва да влиза вода.
4. Не позволявайте контролният панел да се намокри. Почиствайте с мека, влажна кърпа. Не използвайте разтворители, абразивни продукти или спрейове за почистване на контролния панел.
5. Ако се акумулира пара вътре или отвън около вратата на фурната, забършете с мека кърпа. Това може да се получи, когато фурната работи при висока влажност и в никакъв случай не означава повреда на уреда.
6. От време на време е необходимо да изваждате стъкления поднос за почистване. Мийте подноса в топла сапунена вода или в съдомиялна машина.
7. Пръстенът и долната повърхност във вътрешността на фурната трябва да се почистват редовно, за да се избегне излишен шум. Просто забършете долната повърхност с мек разтвор, вода или препарат за прозорци и подсушете. Пръстенът може да се измие в мека сапунена вода или в съдомиялна машина. Изпаренията от готвенето се натрупват при повторна употреба, но по никакъв начин не влияят върху долната повърхност или колелцата на пръстена. Когато изваждате пръстена за почистване, уверете се, че го връщате на мястото му в правилната позиция.
8. Можете да премахнете миризмите от вашата фурна като смесите чаша вода със сока и кората на един лимон в дълбока купа, подходяща за готвене в микровълнова фурна. Пуснете на микровълново готвене за 5 минути, забършете добре и подсушете със суха кърпа.

### ОКОЛНА СРЕДА

Не изхвърляйте уреда заедно с обикновените битови отпадъци в края на неговия жизнен цикъл, а го предайте в специализиран пункт за рециклиране на използвани електрически уреди. По този начин ще помогнете за опазване на околната среда.

## ИНСТАЛИРАНЕ

1. Уверете се, че всички опаковъчни материали са извадени от вътрешната страна на вратата.
2. След разопаковане огледайте фурната за някакви видими щети като:
  - Несъответстваща врата
  - Повредена врата
  - Вдлъбнатини или дупки в прозореца на вратата или на екрана
  - Вдлъбнатини във вътрешносттаАко видите нещо от гореизброеното, НЕ използвайте фурната.
3. Тази микровълнова фурна тежи около 10,3 kg и трябва да бъде поставена на хоризонтална повърхност достатъчно здрава да издържи теглото ѝ.
4. Фурната трябва да бъде поставена далече от източници на висока температура и пара.
5. НЕ поставяйте нищо върху фурната.
6. Дръжте фурната на поне 20 cm разстояние от двете странични стени и на 30 cm от задната стена, за да осигурите правилна вентилация.
7. НЕ изваждайте механизма за въртенето.
8. Както при всеки уред, необходимо е пряко наблюдение, когато се използва от деца.
9. Уверете се, че контактът на електрическата мрежа е лесно достъпен и щепселът може да бъде изваден бързо в случай на опасност. В противен случай трябва да е възможно да прекъснете захранването на уреда чрез прекъсвач на електрическата верига. В този случай се взимат под внимание стандартите за електрическа безопасност. Уредът трябва да бъде правилно свързан със заземен контакт с еднофазен променлив ток (230 V/50 Hz). **ПРЕДУПРЕЖДЕНИЕ! УРЕДЪТ ТРЯБВА ДА БЪДЕ ЗАЗЕМЕН!**
10. Фурната изисква 1,3 KVA на входа. Препоръчително е да се консултирате със сервизен инженер, когато инсталирате фурната.

**ВНИМАНИЕ: Фурната има вграден предпазител 250 V, 8 A.**



## ПРЕДИ ДА СЕ ОБАДИТЕ В СЕРВИЗА

1. Ако фурната не работи изобщо, на дисплея не се появява информация или дисплеят изчезва:
  - a) Уверете се, че фурната е здраво включена в контакта. Ако не е, извадете щепсела от контакта, изчакайте 10 секунди и го включете отново.
  - b) Проверете помещенията за изгорял предпазител или задействан прекъсвач на електрическата верига. Ако всичко изглежда, че работи нормално, пробвайте контакта с друг уред.
2. Ако микровълновата мощност не работи:
  - a) Проверете дали има зададен таймер.
  - b) Проверете дали вратата е здраво затворена, за да се задействат предпазните ключалки. В противен случай във фурната няма да се излъчват микровълни.

**Ако нито едно от горните действия не оправя ситуацията, свържете се с най-близкия оторизиран сервиз.**

**Уредът е само за домашна употреба на закрито, за загряване на храни и напитки чрез електромагнитна енергия.**

## ГАРАНЦИЯ И СЕРВИЗ

Ако се нуждаете от допълнителна информация или възникне някакъв проблем при употребата на уреда, моля, обърнете се към Центъра за обслужване на клиенти на Gorenje във вашата страна (ще намерите съответния телефонен номер в гаранционната книжка за международна гаранция на уреда). Ако във вашата страна няма Център за обслужване на клиенти, свържете се с местния представител на Gorenje или със специализирания сервиз за обслужване на домакински уреди Gorenje.

### **Само за лична употреба!**

Допълнителни препоръки за готвене в микровълнова фурна и полезни съвети можете да намерите на уеб страницата:

<http://www.gorenje.com>

**ПОЖЕЛАВАМЕ ВИ ПРИЯТНО ПОЛЗВАНЕ  
НА ВАШИЯ УРЕД**

# **gorenje**

