

OWNER'S MANUAL

36" GRIDDLE WITH HOOD & CABINET

TABLE OF CONTENTS

IMPORTANT SAFETY INFORMATION	02
ASSEMBLY GUIDE	04
OPERATION INSTRUCTIONS	17
TROUBLESHOOTING	23
CUSTOMER SUPPORT	24



Latest version of the manual:
BlackstoneProducts.com/support

IMPORTANT:

This instruction manual contains important information necessary for the proper assembly and safe use of the appliance.

Read and follow all warnings and instructions before assembling and using the appliance.

Follow all warnings and instructions when using the appliance.

Keep this manual for future reference.

Installer/Assembler: Leave these instructions with the consumer.

SAFETY ALERT KEY

⚠ DANGER

Indicates a hazardous situation that, if not avoided, will result in death or serious injury.

⚠ WARNING

Indicates a hazardous situation that, if not avoided, could result in death or serious injury.

⚠ CAUTION

Indicates a hazardous situation that, if not avoided, could result in minor or moderate injury.

NOTICE

Indicates information considered important, but not hazard-related (e.g. messages related to property damage).

IMPORTANT SAFETY INFORMATION

GAS APPLIANCE SAFETY

⚠ DANGER

If you smell gas:

- Shut off gas to the appliance.
- Extinguish any open flame.
- Open hood (if applicable).
- If odor continues, keep away from the appliance and immediately call your gas supplier or your fire department.

Failure to follow these instructions could result in fire or property damage, personal injury or death.

⚠ WARNING

An LPG cylinder not connected for use shall not be stored in the vicinity of this or any other appliance.

LPG cylinders are not to be stored in any compartments on the appliance that are not intended for cylinder storage. Such unauthorized storage could lead to an explosion, fire, or personal injury.

INSTALLATION MUST CONFORM WITH LOCAL CODES.

In the absence of local codes, installation must conform with either ANSI Z223.1/NFPA 54, CSA B149.1, or CSA B149.2.

⚠ DANGER

- NEVER operate this appliance unattended.
- If a fire should occur, keep away from the appliance and immediately call your fire department. DO NOT attempt to extinguish an oil or a grease fire with water.

Failure to follow these instructions could result in fire or property damage, personal injury or death.

NOTE: This equipment has been tested and found to comply with the limits for a Class B digital device, pursuant to part 15 of the FCC Rules. These limits are designed to provide reasonable protection against harmful interference in a residential installation. This equipment generates, uses, and can radiate radio frequency energy and, if not installed and used in accordance with the instructions, may cause harmful interference to radio communications. However, there is no guarantee that interference will not occur in a particular installation. If this equipment does cause harmful interference to radio or television reception, which can be determined by turning the equipment off and on, the user is encouraged to try to correct the interference by one or more of the following measures:

- Reorient or relocate the receiving antenna.
- Increase the separation between the equipment and receiver.
- Connect the equipment into an outlet on a circuit different from that to which the receiver is connected.
- Consult the dealer or an experienced radio/TV technician for help Unintentional Radiators/Radio.

⚠ DANGER



CARBON MONOXIDE HAZARD

This appliance can produce carbon monoxide which is poisonous and has no odor. Using it in an enclosed space can kill you.

NEVER use this appliance in an enclosed space such as a camper, tent, car or home.

⚠ DANGER

FOR YOUR SAFETY

DO NOT store or use gasoline or other flammable liquids or vapors in the vicinity of this or any other appliance.

Flammable items can combust if placed near the appliance. Keep the appliance area clear and free from combustible materials, aerosol containers, gasoline and other flammable vapors and liquids.

⚠ WARNING

Improper installation, use, adjustment, alteration, service, modification, or maintenance can cause property damage, serious injury, or death. Read the installation, operating and maintenance instructions thoroughly (refer to this manual) before installing or servicing this equipment.

- The use of alcohol, prescription, or non-prescription drugs may impair the consumer's ability to properly assemble or safely operate the appliance.
- Keep children and pets away from the appliance at all times.
- Have a type BC or ABC fire extinguisher readily available.
- DO NOT use for purposes other than intended.
- DO NOT use this appliance as a heater.
- For outdoor domestic use only, not for commercial use.

Receivers - FCC Verification Markings : 47 CFR 15.19 (a)

Changes or modifications not expressly approved by the party responsible for compliance could void the user's authority to operate this device. This device complies with Part 15 of FCC Rules. Operation is subject to the following two conditions: (1) This device may not cause harmful interference, and (2) This device must accept any interference received, including interference that may cause undesired operation.

Model №: 2361

North Atlantic Imports, LLC 1073 W 1700 N Logan, UT 84321 USA

BlackstoneProducts.com



SETTING UP YOUR OUTDOOR SPACE

THIS APPLIANCE MUST ONLY BE USED OUTDOORS ON A LEVEL SURFACE.

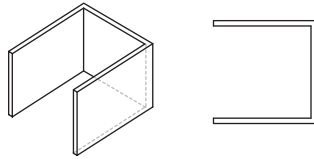
- DO NOT use this appliance inside buildings, garages, or any other enclosed area.
- DO NOT install this appliance in or on a boat.
- DO NOT install this appliance in or on a recreational vehicle.

SHELTERED OUTDOOR AREAS:

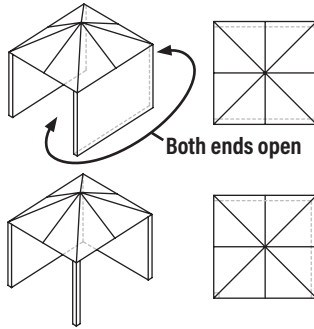
All openings must be permanently open; sliding doors, garage doors, windows or screened openings are not considered as permanent openings.

An appliance is considered to be outdoors if installed with shelter no more inclusive than:

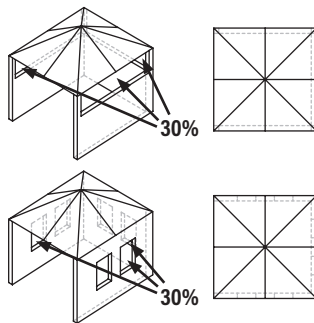
- a. With walls on three sides, but with no overhead cover.



- b. Within a partial enclosure that includes an overhead cover and no more than two sidewalls. The sidewalls may be parallel, as in a breezeway, or at right angles to each other.



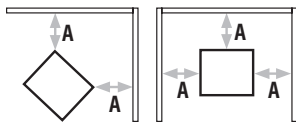
- c. Within a partial enclosure that includes an overhead cover and three sidewalls, as long as 30% or more of the horizontal periphery of the enclosure is permanently open.



The minimum ambient operating temperature is 0°F (-18°C).

MAINTAIN PROPER CLEARANCES FROM COMBUSTIBLE MATERIAL.

- DO NOT use this appliance on or under any apartment or condominium balcony or deck.
- DO NOT obstruct the flow of combustion and ventilation air.



DO NOT operate this appliance any closer than 36 in (1 m) from the sides and back of the appliance to combustible construction.

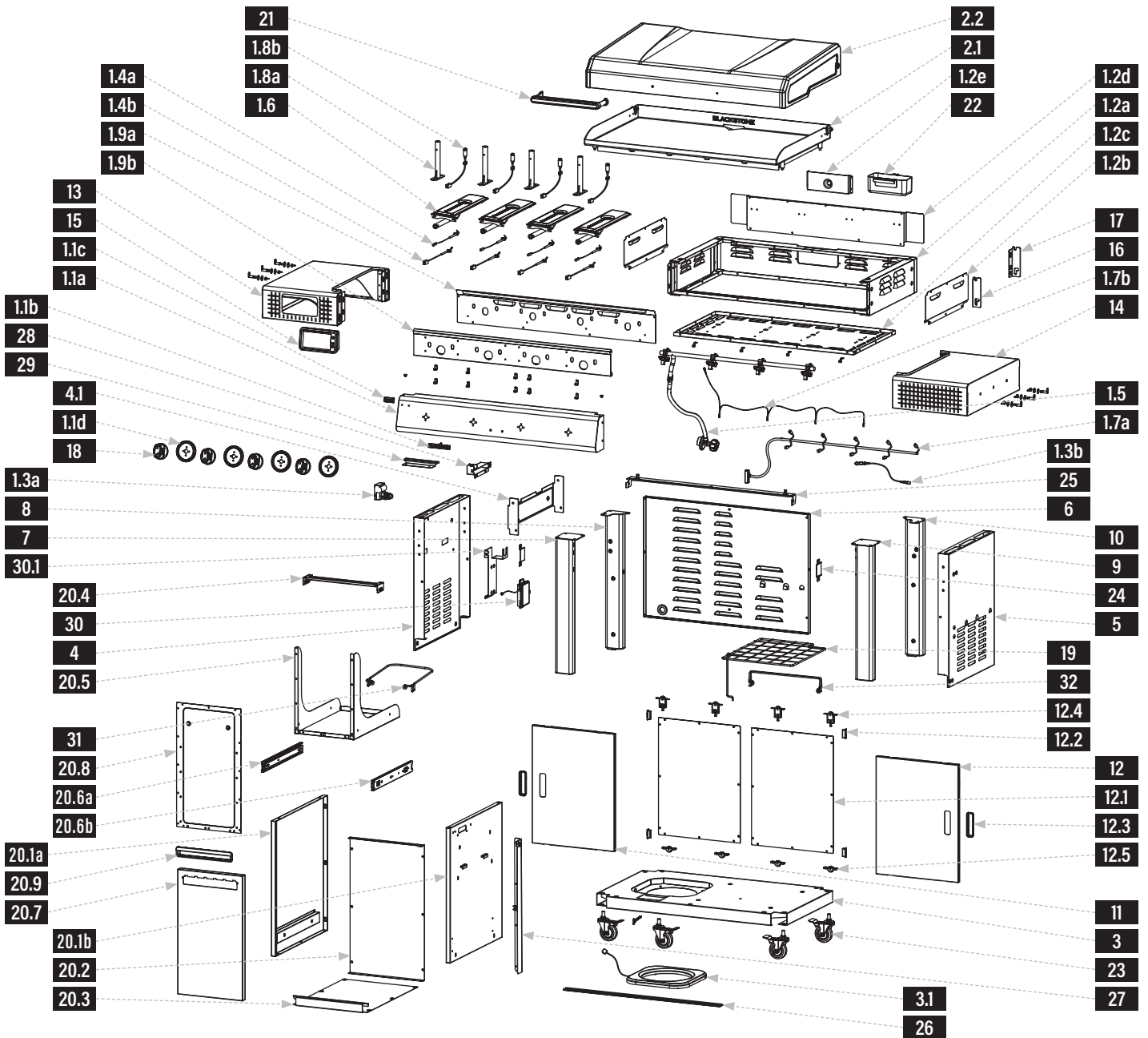
A = 36 in (1 m)

- DO NOT use this appliance under overhead combustible construction.

ENGLISH

ASSEMBLY GUIDE

EXPLODED VIEW

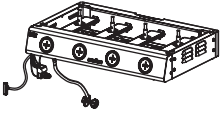
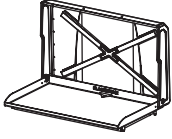
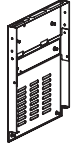
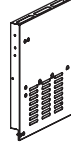
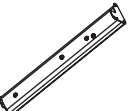
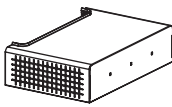
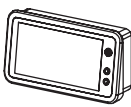

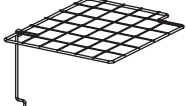

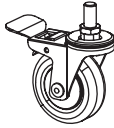



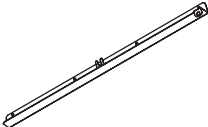

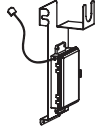
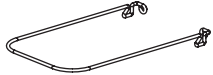


PARTS LIST

PARTS	QTY	PARTS	QTY	PARTS	QTY	PARTS	QTY				
1.1a	Control panel	1	1.2c	Bottom panel	1	1.4b	Flame sensors	4	1.8a	Thermistor sleeves	4
1.1b	Blackstone badge	1	1.2d	Rear panel	1	1.5	Gas rail & regulator	1	1.8b	Thermistors	4
1.1c	Culinary badge	1	1.2e	Grease cup panel	1	1.6	High performance burners	4	1.9a	Inner baffle panel	1
1.1d	Control knob bezels	4	1.3a	Ignitor box	1	1.7a	Main wiring harness	1	1.9b	Outer baffle panel	1
1.2a	Surround panel	1	1.3b	Grounding wire	1	1.7b	Ignitor connection wire	1	2.1	Omnivore griddle top	1
1.2b	Side panels	2	1.4a	Ignition needles	4	3.1			2.2	Hood	1



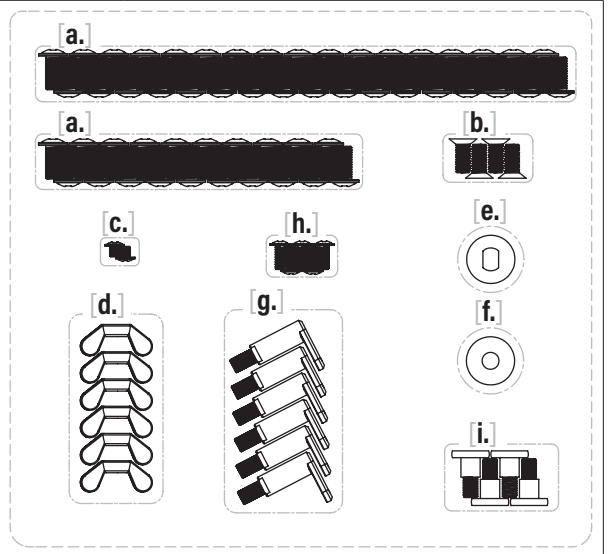


1 Griddle body (1 piece) 	2 Griddle top & hood (1 piece) 	3 Cart base (1 piece) 	4 Left side panel (1 piece) 	5 Right side panel (1 piece) 	6 Rear panel (1 piece) 
7 Left front leg (1 piece) 	8 Left rear leg (1 piece) 	9 Right front leg (1 piece) 	10 Right rear leg (1 piece) 	11 Left sliding door (1 piece) 	12 Right sliding door (1 piece) 
13 Left side shelf (1 piece) 	14 Right side shelf (1 piece) 	15 Digital display (1 piece) 	16 Side shelf bracket (L) (1 piece) 	17 Side shelf bracket (R) (1 piece) 	18 Control knobs (4 pieces) 
19 Inner shelf (1 piece) 	20 Bin drawer (1 piece) 	21 Hood handle (1 piece) 	22 Grease cup (1 piece) 	23 Caster wheels (4 pieces) 	24 Door stoppers (2 pieces) 
25 Upper sliding door track (1 piece) 	26 Lower sliding door track (1 piece) 	27 Wire channel (A) (1 piece) 	28 Wire channel (B) (1 piece) 	29 Wire channel (C) (1 piece) 	30 Battery box (1 piece) 
31 Garbage bag holder (1 piece) 	32 Shelf divider (1 piece) 				

PARTS	QTY	PARTS	QTY	PARTS	QTY	PARTS	QTY
3.1 LPG scale	1	12.5 Lower door wheels	4	20.4 Bin drawer upper brace	1	20.8 Drawer panel liner	1
4.1 Panel brace	1	20.1a Bin drawer left panel	1	20.5 Bin drawer frame	1	20.9 Drawer handle	1
12.1 Door liners	2	20.1b Bin drawer right panel	1	20.6a Left drawer glide	1	30.1 Electronics mounting bracket	1
12.2 Door magnets	4	20.2 Bin drawer rear panel	1	20.6b Right drawer glide	1		
12.3 Door handles	2	20.3 Bin drawer bottom panel	1	20.7 Front drawer panel	1		
12.4 Upper door wheels	4						



- 33** Hardware pack (1 piece)
- a. M6x14 screws (34 pieces) (20 pieces)
 - b. M6x14 flat-head screws (4 pieces)
 - c. M4x4.5 screws (2 pieces)
 - d. Wing nuts (6 pieces)
 - e. Slotted washers (6 pieces)
 - f. Steel washers (6 pieces)
 - g. Shelf hooks (6 pieces)
 - h. M4x10 screws (5 pieces)
 - i. M6 shoulder bolts (4 pieces)



ASSEMBLY INSTRUCTIONS

Find a large, clean area to assemble your appliance.

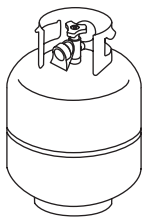
Remove all packing material before assembling. (You may have additional or spare hardware after assembly.)

CAUTION

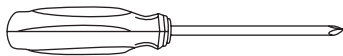
Sharp edges. Wear gloves while assembling.

CAUTION

Heavy pieces. Two people should assemble this appliance.



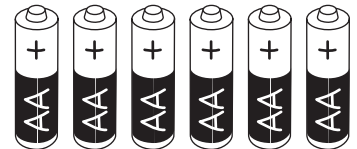
REQUIRED FOR USE (NOT INCLUDED):
20 lb (9 kg) LPG cylinder



REQUIRED FOR ASSEMBLY (NOT INCLUDED):
#3 Phillips head screwdriver

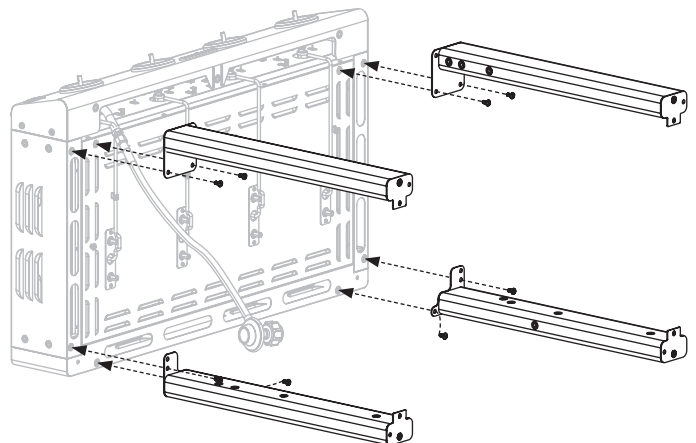


REQUIRED FOR USE (NOT INCLUDED):
One (1) AA battery (for ignition)



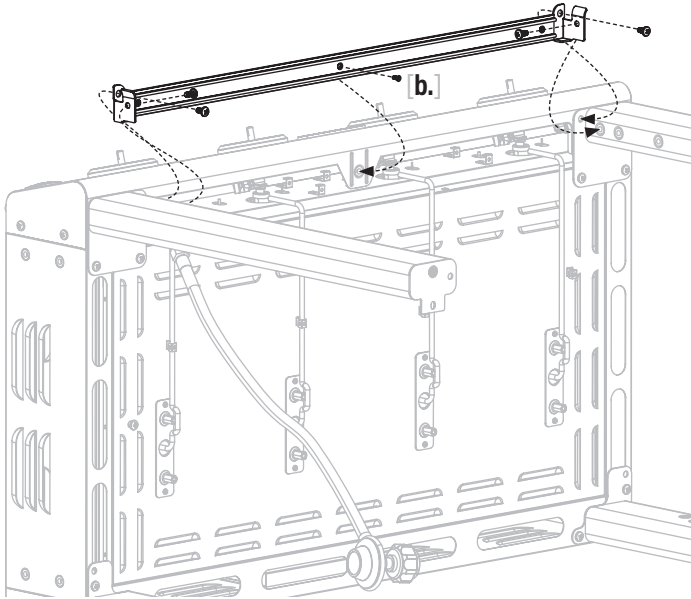
REQUIRED FOR USE (NOT INCLUDED):
Six (6) AA batteries (for the digital display)

STEP 01 Use eight (8) M6x14 screws [a.] to attach the four (4) legs to bottom of the griddle body.

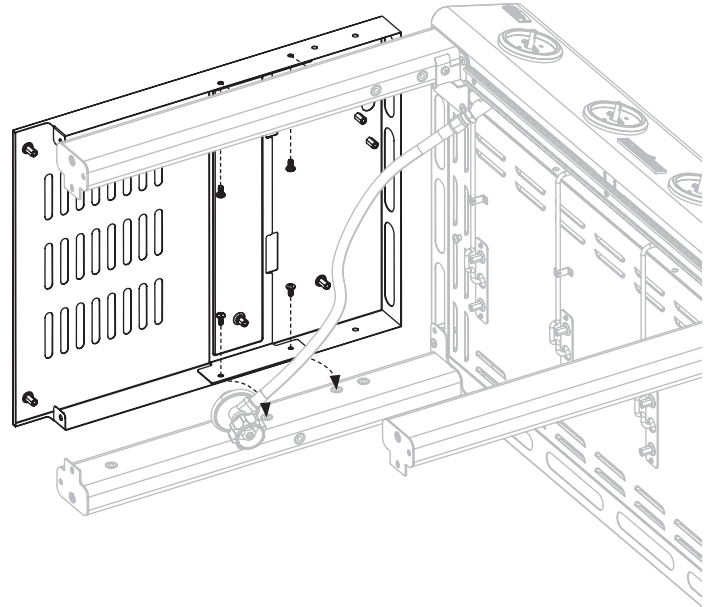




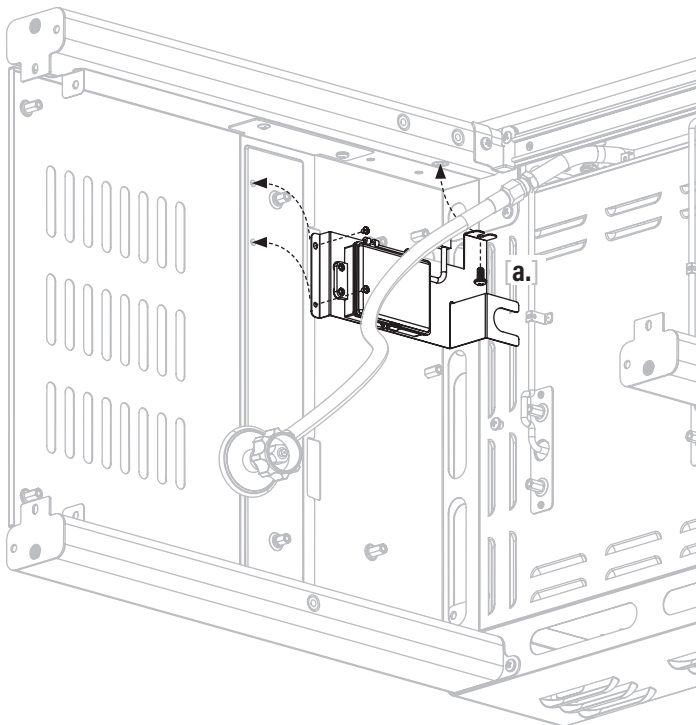
STEP 02 Use four (4) M6x14 screws [a.] to attach the upper sliding door track to the front legs.
Use one (1) M6x14 flat-head screw [b.] to secure to the control panel.



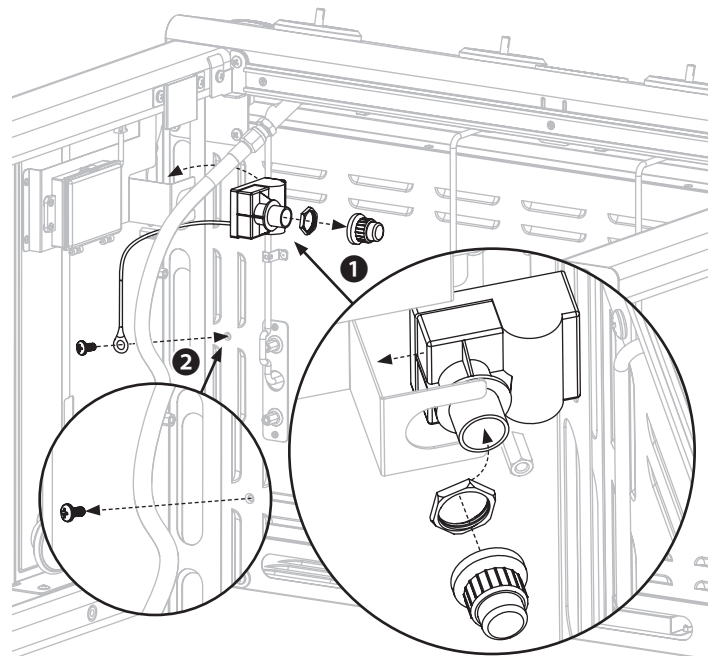
STEP 03 Use four (4) M6x14 screws [a.] to attach the left side panel to the left legs.



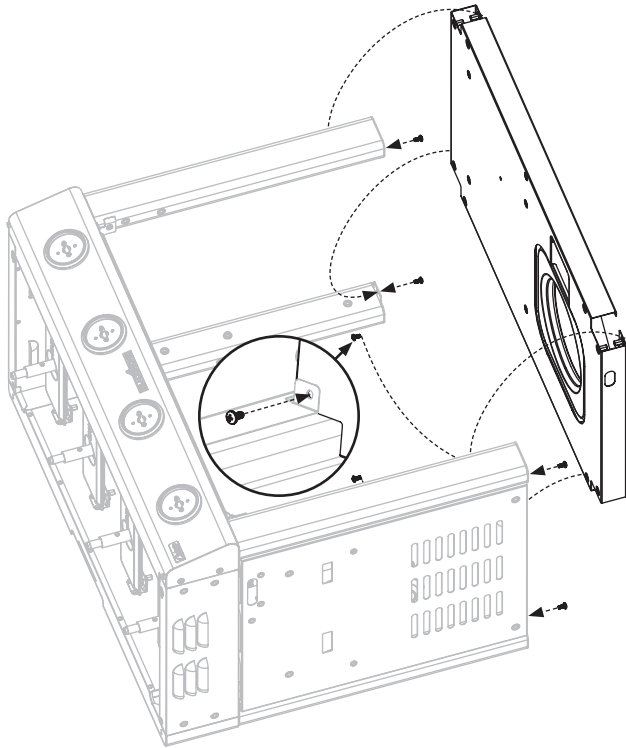
STEP 04 Use two (2) M4x4.5 screws [c.] to attach the battery box to the left side panel.
Use one (1) M6x14 screw [a.] to secure to the front left leg.



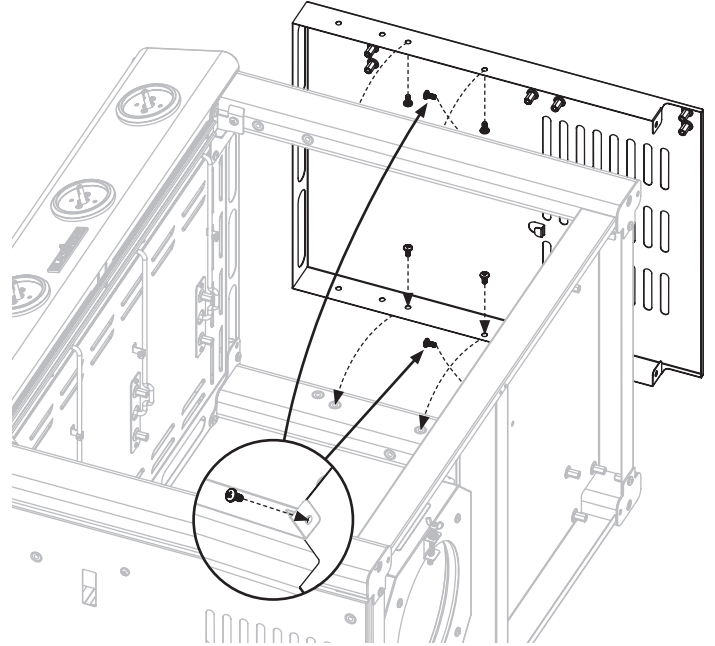
STEP 05 ① Unscrew the ignitor cap and nut from the ignitor box. Slide the ignitor into the battery box bracket. Use the nut to secure and replace the battery cap.
② Remove the grounding screw from the bottom of the griddle body. Use this screw to tightly secure the ignitor grounding wire to the bottom of the griddle.



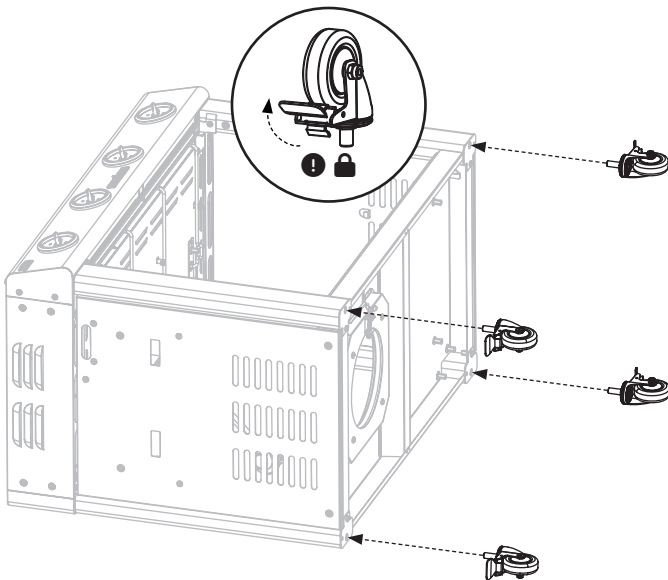
STEP 06 Slide the cart base onto the leg brackets. Use four (4) M6x14 screws [a.] to attach the legs to the cart base. Use two (2) M6x14 screws [a.] to secure the left side panel to the cart base.



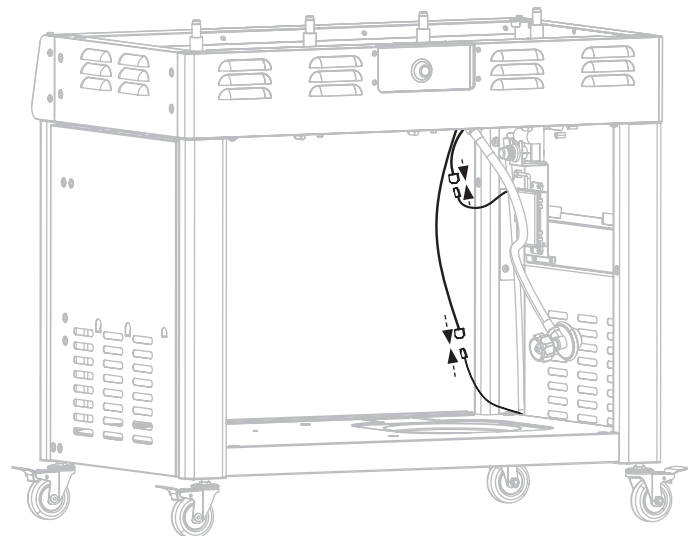
STEP 07 Use four (4) M6x14 screws [a.] to attach the right side panel to the right legs. Use two (2) M6x14 screws [a.] to secure the right side panel to the cart base.



STEP 08 Screw the four (4) caster wheels into the legs. (Ensure that the wheels are locked.)

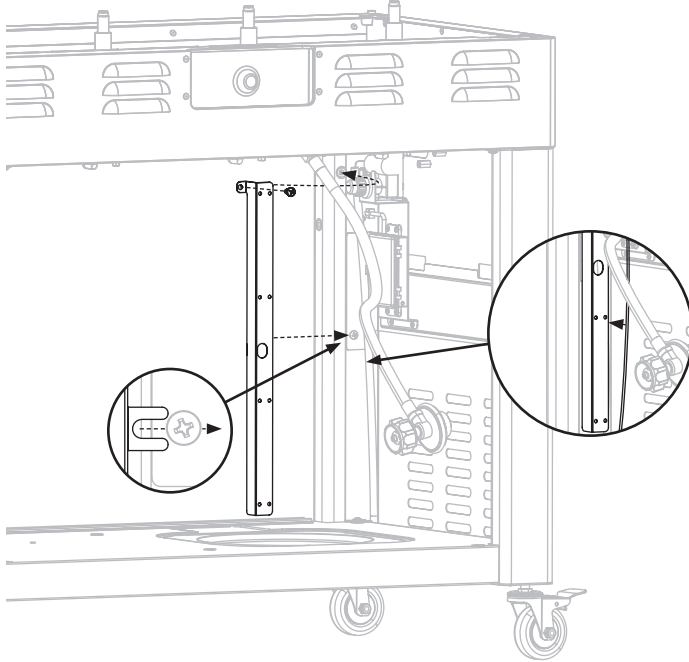


STEP 09 With the help of another person, set the cart on its feet. Connect the LPG scale wire and the battery box wire to the cable wires.

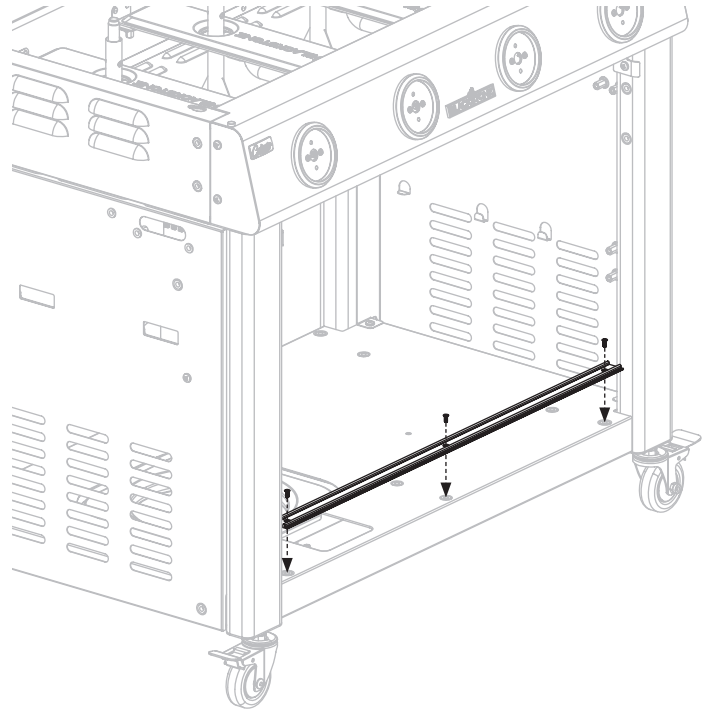




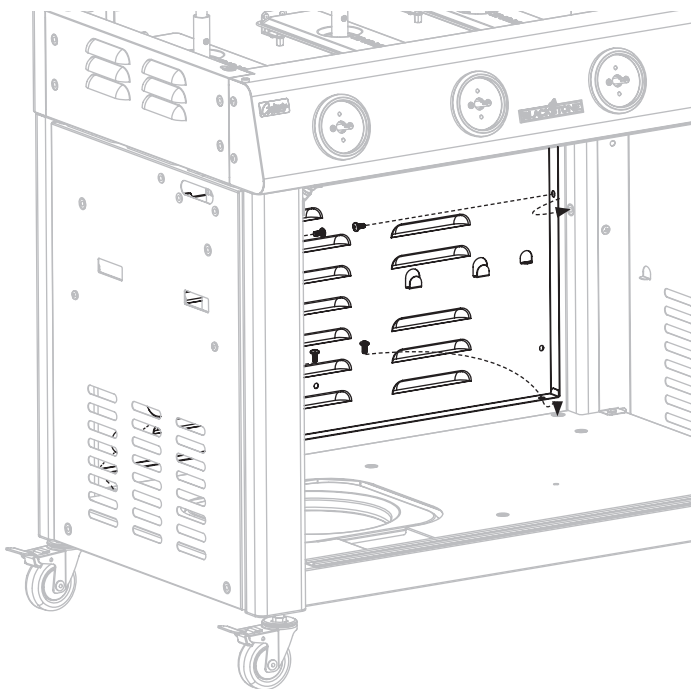
STEP 10 Use one (1) M6x14 screw [a.] to attach wire channel (A) to the front left leg. Slide the prongs under the cart screw. Tuck the cable wires into the channel.



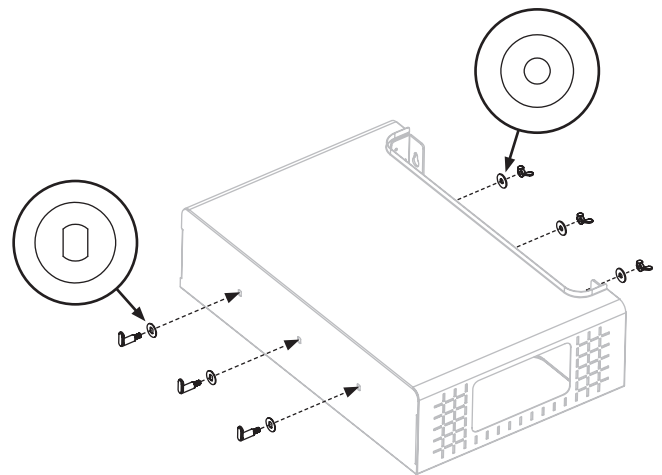
STEP 11 Use three (3) M6x14 flat-head screws [b.] to attach the lower sliding door track to the cart base.



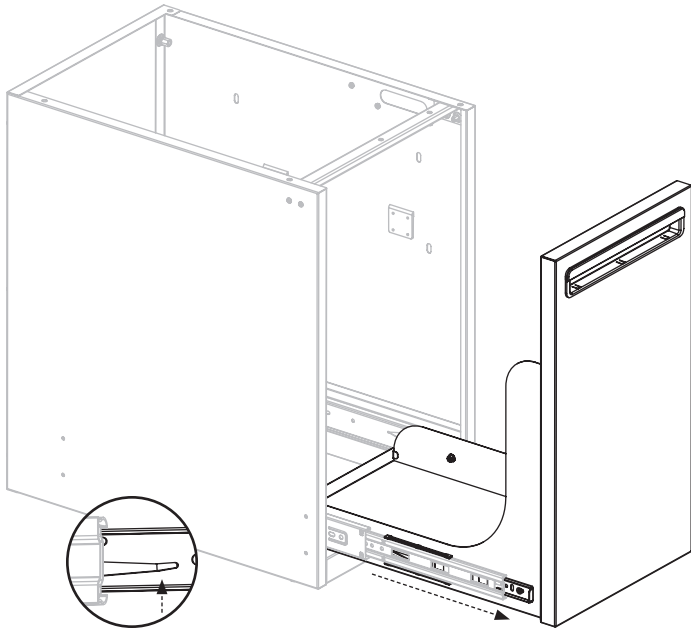
STEP 12 Use four (4) M6x14 screws [a.] to attach the rear panel to the rear legs and cart base.



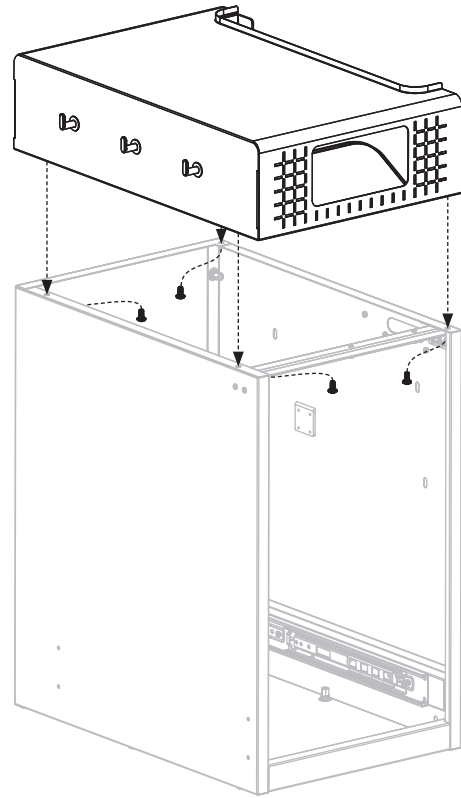
STEP 13 Use three (3) wing nuts [d.], three (3) steel washers [f.] and three (3) slotted washers [e.] to attach three (3) side shelf pegs [g.] to the left side shelf.



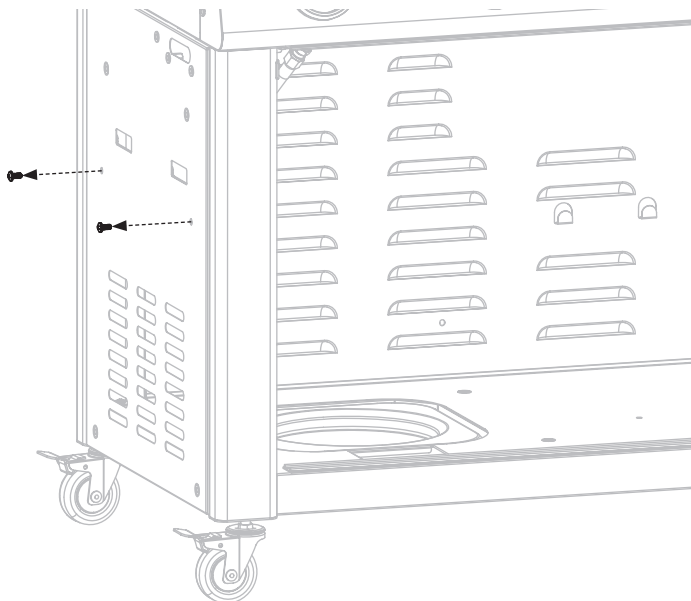
STEP 14 Pull out the two (2) bin drawer sliding tracks from the left and right bin drawer panels. Press the left slide tab up and the right slide tab down to remove the inner drawer.



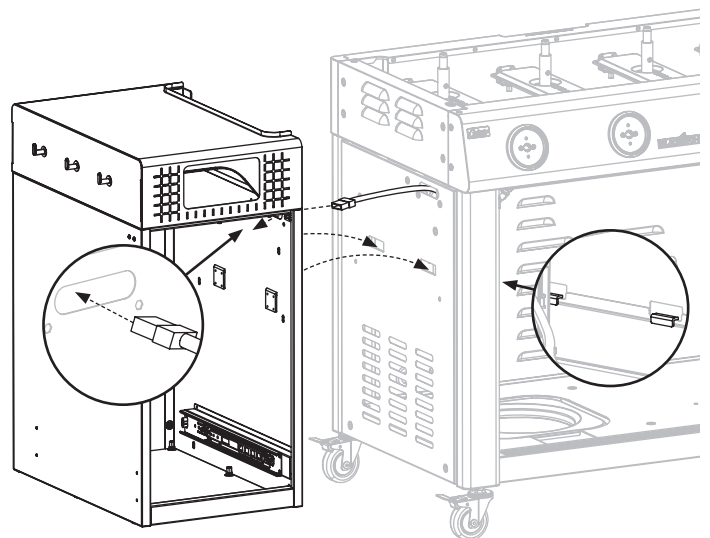
STEP 15 Use four (4) M6x14 screws [a.] to attach the left side shelf to the bin drawer.



STEP 16 Remove the two (2) screws from the cart's left side panel.

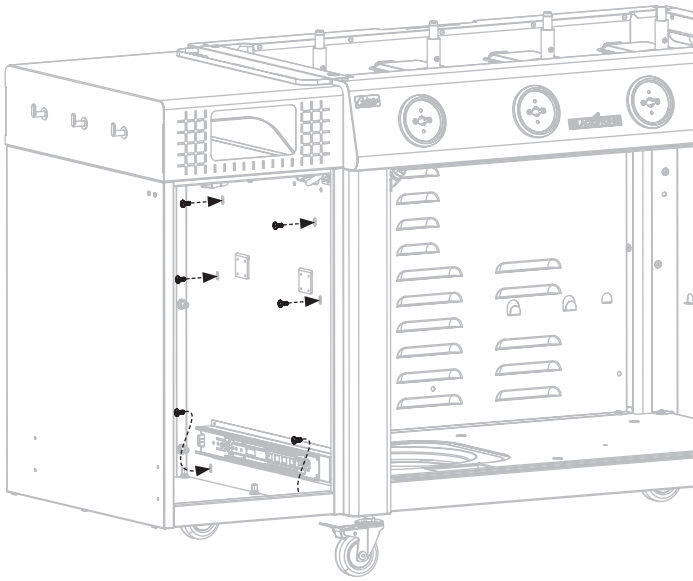


STEP 17 Guide the cable wire into the bin drawer hole. Hook the bin drawer onto the cart's left side panel slots.

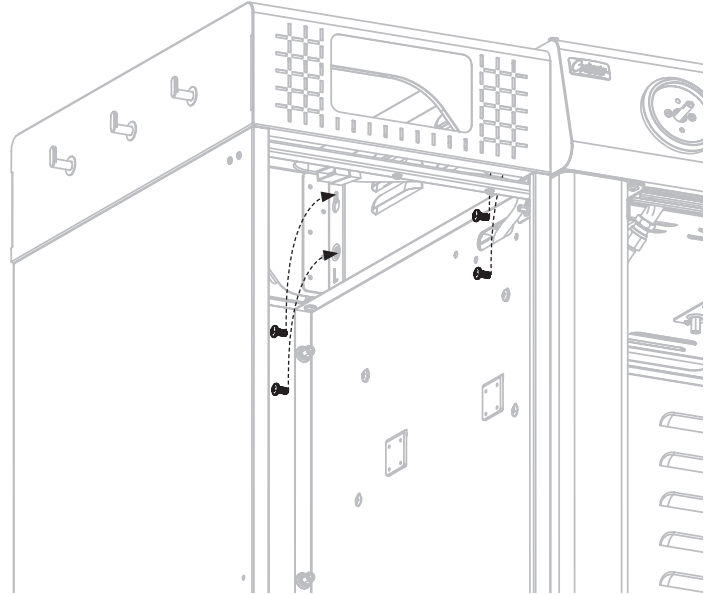




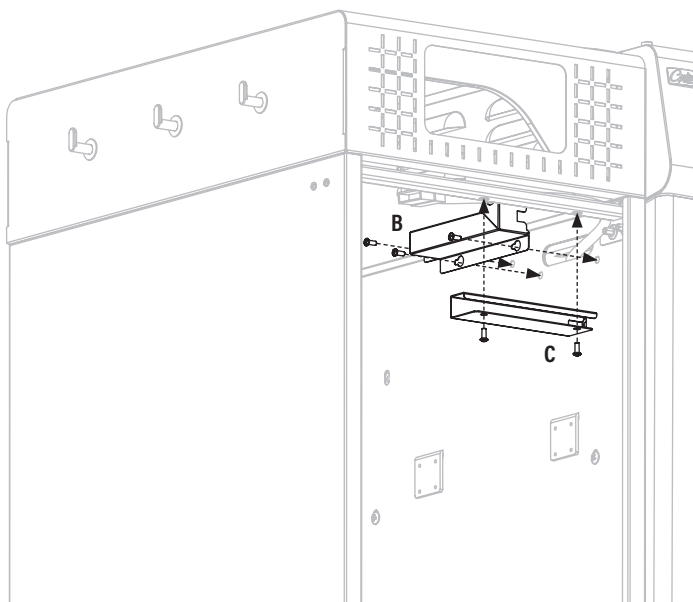
STEP 18 Use four (4) M6x14 screws [a.] and the two (2) previously removed screws to secure the bin drawer to the cart's left side panel.



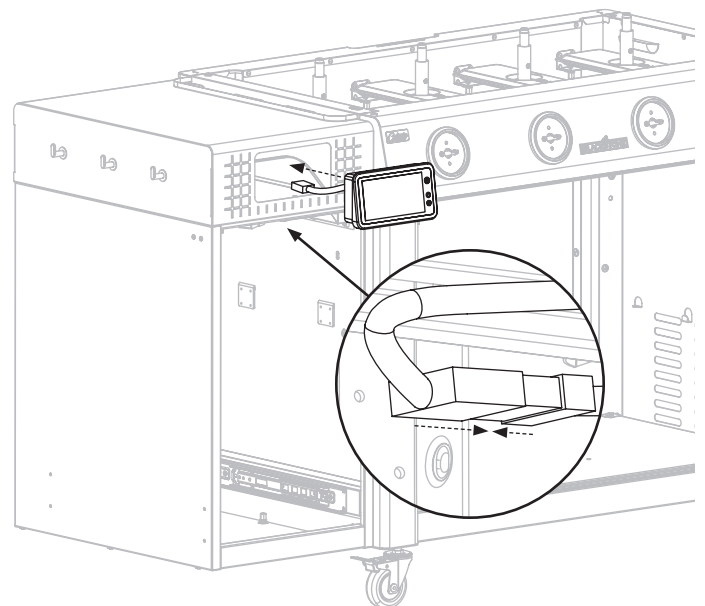
STEP 19 Use four (4) M6x14 screws [a.] to secure the left side shelf to the left side of the griddle body.



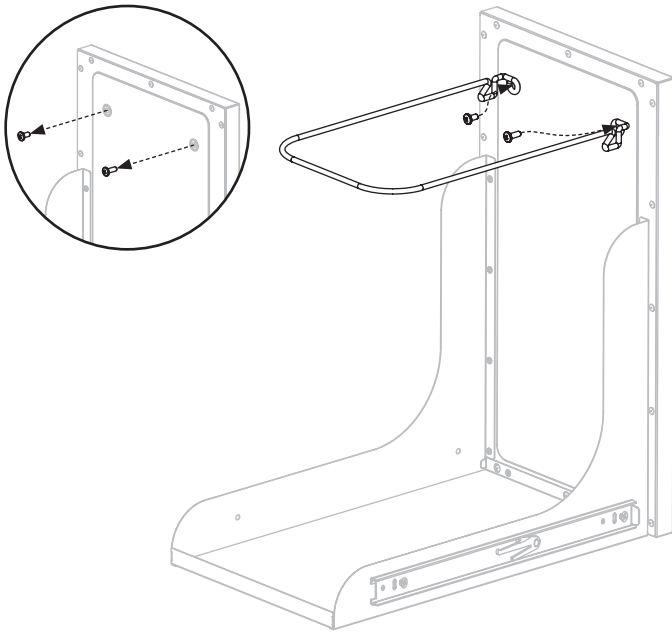
STEP 20 Run the cable wire through wire channel (B). Use three (3) M4x10 screws [h.] to attach wire channel (B) to the cart's left panel. Run the cable wire through wire channel (C). Use two (2) M4x10 screws [h.] to attach wire channel (C) to the top of the bin drawer.



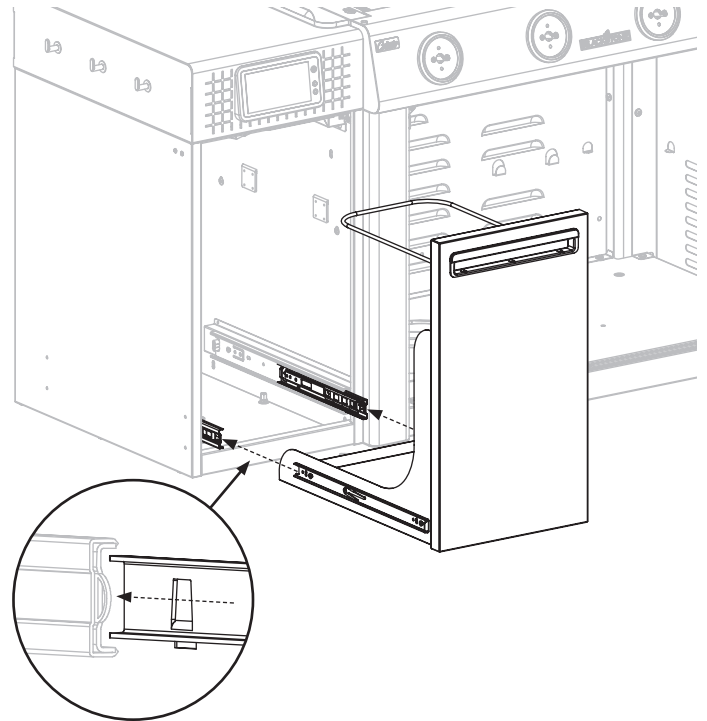
STEP 21 Connect the cable wire to the digital display cable. Push the digital display into place in the left side shelf.



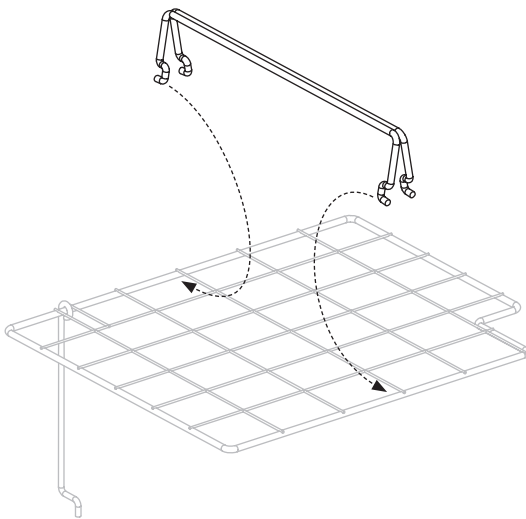
STEP 22 Use the two (2) pre-installed screws in the drawer panel liner to attach the garbage bag holder to the inner bin drawer.



STEP 23 Pull out the two (2) bin drawer sliding tracks from the left and right bin drawer panels. Insert the drawer sliding tracks into the bin drawer tracks.

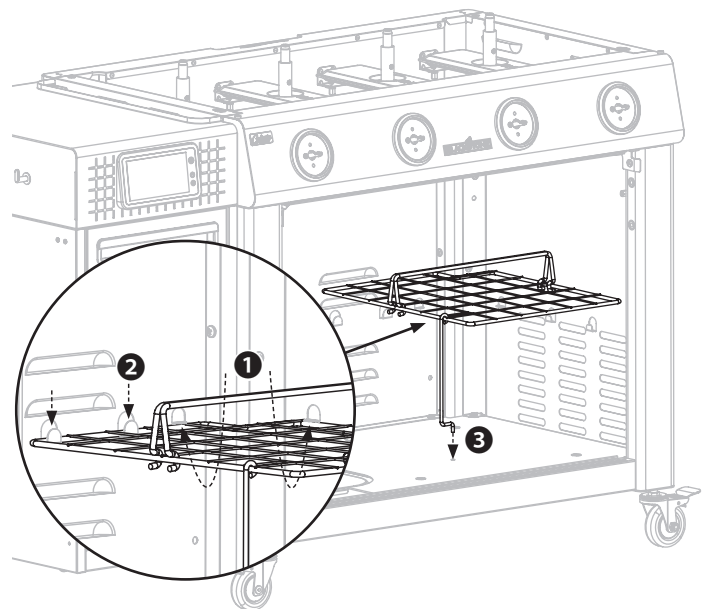


STEP 24 Lever the shelf divider legs onto the inner shelf.



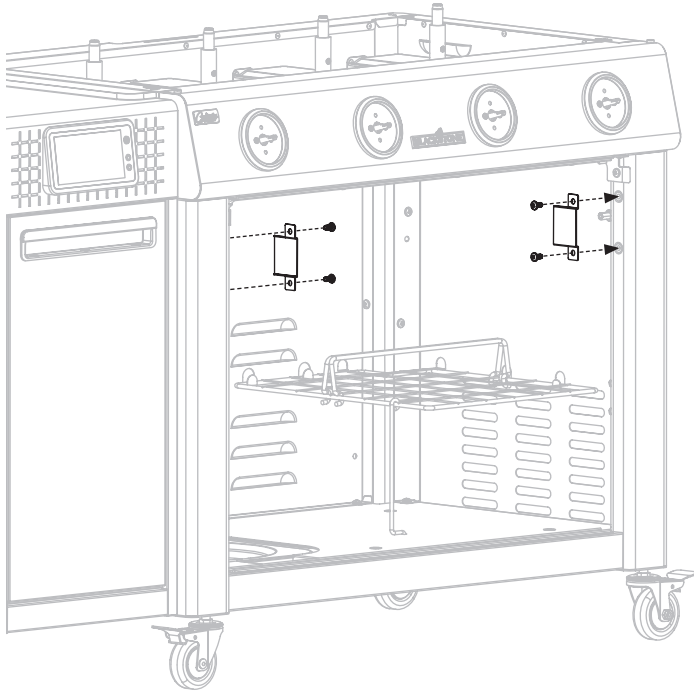
STEP 25 1 Slide the inner shelf under the panel tabs.

- 2 Set the shelf on the panel hooks.
- 3 Set the shelf leg into the cart base.

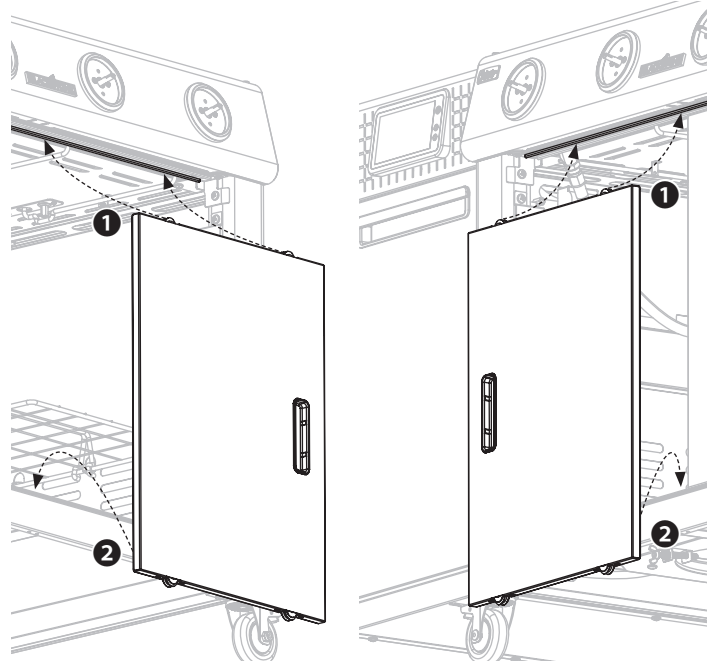




STEP 26 Use four (4) M6x14 screws [a.] to attach the door stoppers to the front legs.

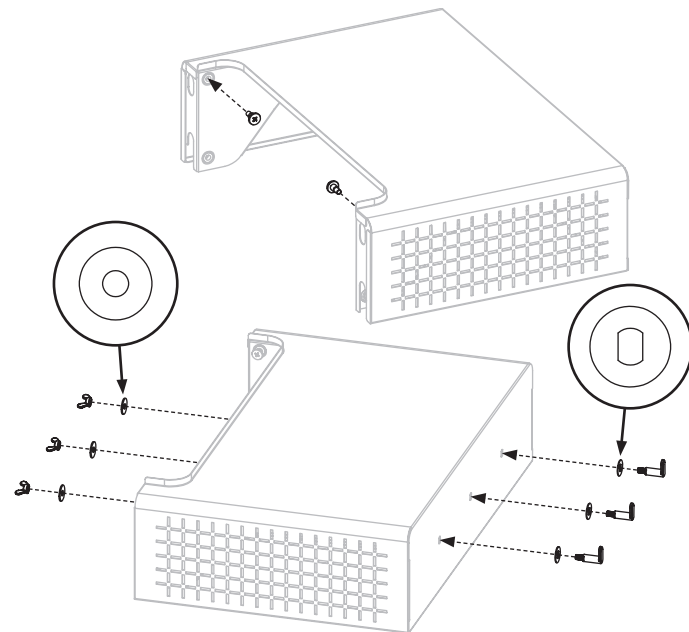


STEP 27 1 Push the left sliding door upper wheels onto the rear upper track. 2 Set the lower wheels onto the lower rear track.
1 Push the right sliding door upper wheels onto the front upper track. 2 Set the lower wheels onto the lower front track.

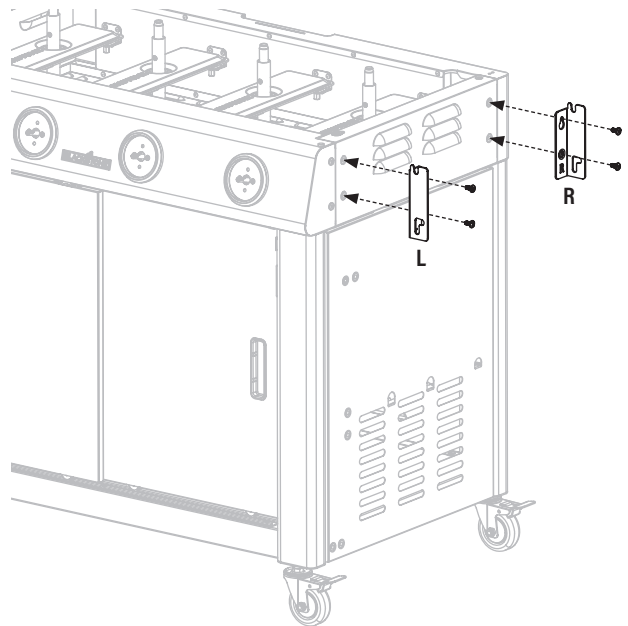


STEP 28 Thread two (2) M6 shoulder bolts [i.] into the upper holes in the right side shelf.

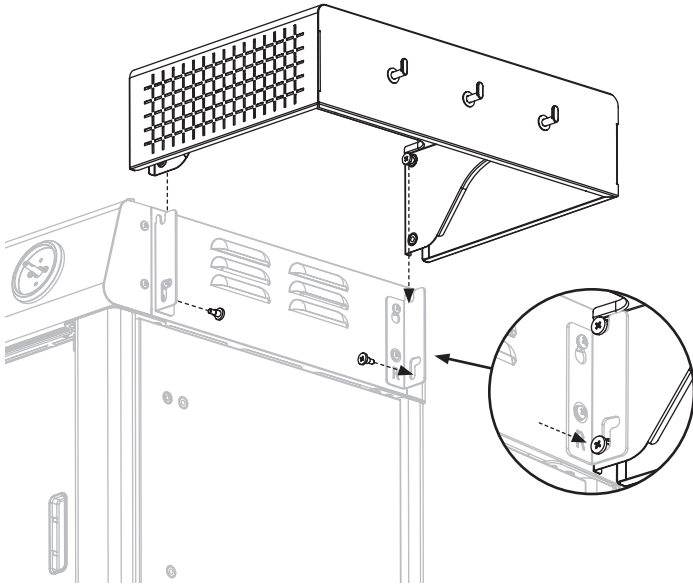
Use three (3) wing nuts [d.], three (3) steel washers [f.] and three (3) slotted washers [e.] to attach three (3) side shelf pegs [g.] to the right side shelf.



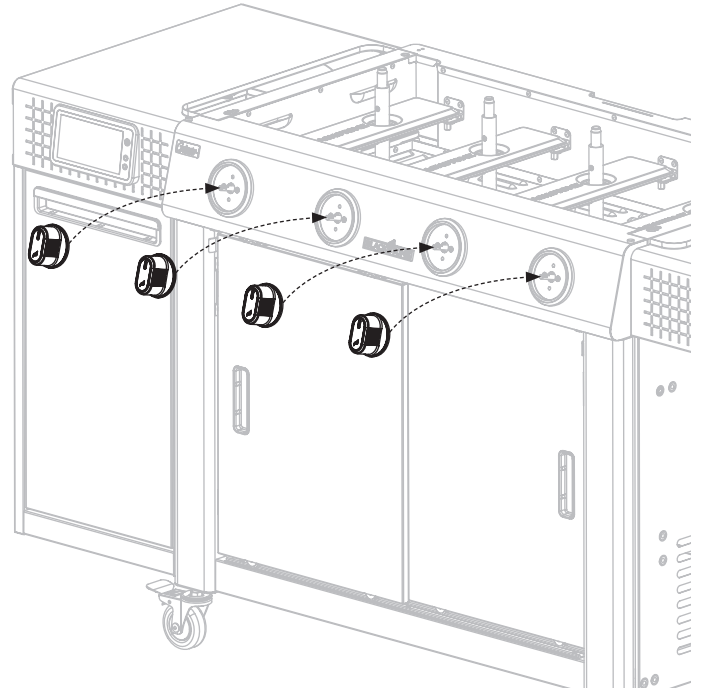
STEP 29 Use four (4) M6x14 screws [a.] to attach the side shelf bracket (L) and side shelf bracket (R) to the right side of the griddle body.



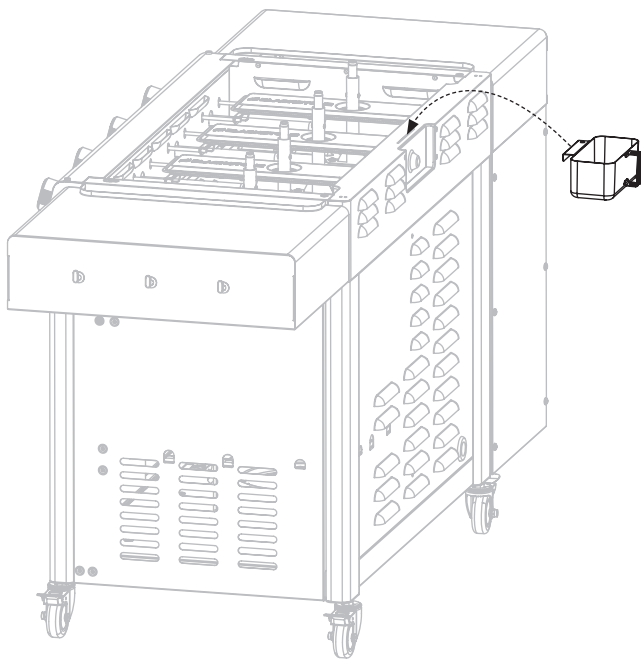
STEP 30 Hook the right side shelf's upper shoulder bolts onto the side shelf brackets. Thread two (2) M6 shoulder bolts [i.] through the side shelf brackets to secure.



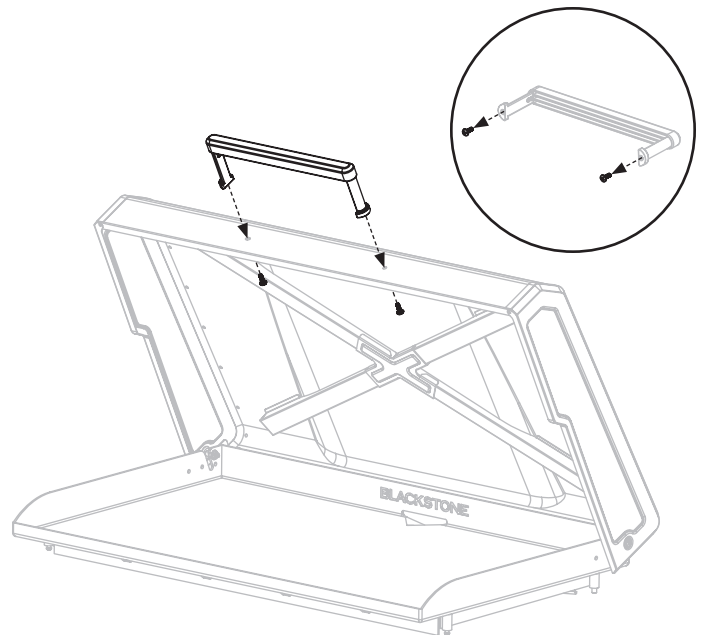
STEP 31 Install the four (4) control knobs by pushing them into place on the gas rail valve stems in the OFF position.



STEP 32 Hang the grease cup in the slot on the back of the griddle body.



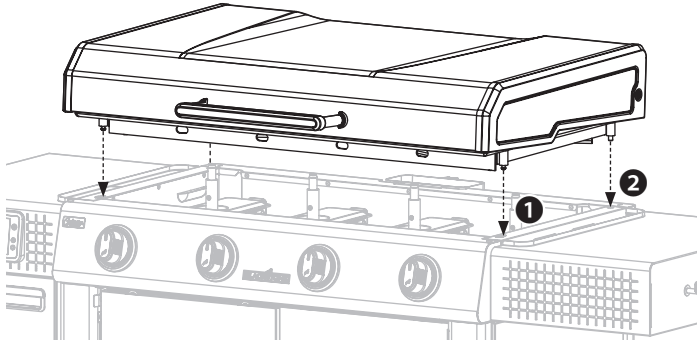
STEP 33 Use the two (2) screws pre-installed in the hood handle to attach the hood handle to the front of the hood.



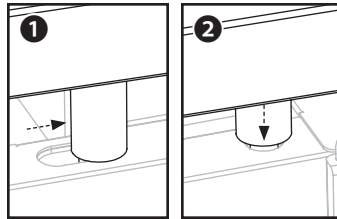


STEP 34 With the help of another person, place the griddle top and hood onto the griddle body by aligning the four pins to the holes on top of the unit.

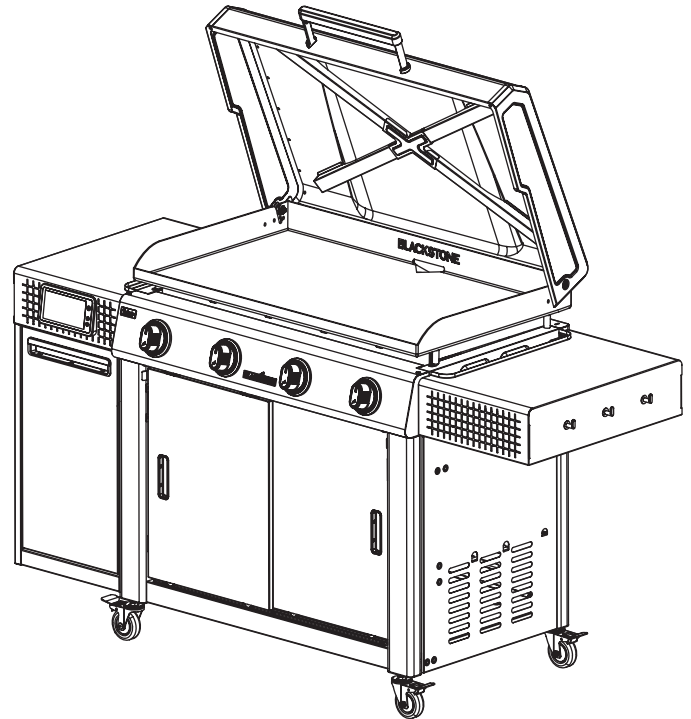
Note: DO NOT let the griddle top bend the protruding temperature sensors (thermistors) when sliding the griddle top back.



- ❶ Place the two front pins into the front locking holes and push the griddle top back.
- ❷ Then, set the two rear pins into the rear holes.



STEP 35 Insert the six (6) AA batteries into the battery box. Proceed to the **OPERATION INSTRUCTIONS**.

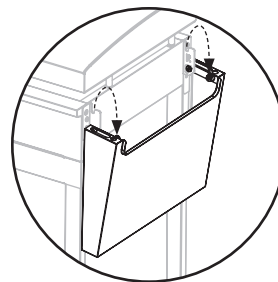


NOTICE

- Non-rechargeable batteries are not to be recharged.
- DO NOT mix old and new batteries.
- DO NOT mix alkaline, standard (carbon-zinc) or rechargeable (ni-cad, ni-mh, etc.) batteries.
- Exhausted batteries are to be removed from the product.

NOTICE

- Maximum weight on the side shelf is 10 lbs (4.5 kg).
- The side shelf may get hot while appliance is in use.



Lift and fold the side shelf when moving or storing, as applicable. (Shelf design may vary.)

OPERATION INSTRUCTIONS

THE GAS SYSTEM

FITTINGS & HOSES

Prior to connection and use, ensure that there is no debris caught in, or damage to, the head of the gas cylinder, regulator, hose, burner and burner ports. (Worn or damaged hose/ regulator must be replaced with a Blackstone approved model before using appliance.)

- Annual checking and tightening of metal fittings is recommended.
- Ensure that the hose is not obstructed, kinked, or in contact with any part of the appliance other than at its connection.

The LPG cylinder supply system must be arranged for vapor withdrawal.

- Always keep new LPG cylinders in upright position during use, transit or storage.
- Always keep the ventilation opening(s) of the cylinder enclosure free and clear from debris.

If grease or other hot material drips onto valve, hose or regulator:

STEP 01 Turn off gas supply immediately.

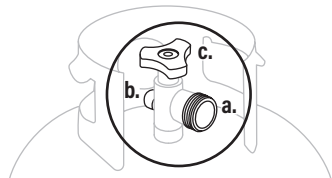
STEP 02 Determine the cause and correct it.

STEP 03 Clean and inspect valve, hose and regulator.

STEP 04 Perform a leak test.

LPG CYLINDER REQUIREMENTS

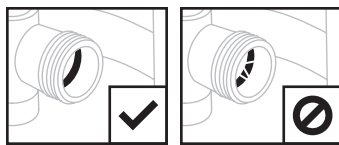
- The LP gas supply cylinder to be used must be constructed and marked in accordance with the Specifications for LP gas Cylinders of the U.S. Department of Transportation (DOT) or CSA B339, as applicable.
- Only LPG cylinders marked "propane" shall be used.
- LPG cylinder must include collar to protect LPG cylinder valve.
- Only use a 20 lb (9 kg) cylinder. (18 x 12 in (45 x 30 cm))



THE LPG CYLINDER VALVE MUST HAVE:

- Type 1 valve outlet (thread on the outside).
- Safety relief valve.
- UL listed Overfill Protection Device (OPD). This OPD safety feature is identified by a unique triangular hand wheel.

Exchange cylinder only for an OPD safety feature-equipped cylinder.



CHECK SEAL BEFORE USE

The seal on the valve outlet could, over time, show marked and visible damage or deterioration that might cause a leak even with the connection tightened.

- A visual inspection for the seal must be carried out every time a LPG cylinder is replaced or refilled.
- Any LPG cylinder showing signs of damage or deterioration as those illustrated including visible cracks and pitting, must be returned unused to the seller.

REGULATOR SAFETY

- Use this appliance, as purchased, only with gas and regulator/ valve assembly supplied. DO NOT use quick connect fittings or other add-ons.
- DO NOT cross thread (force at an improper angle) the connection between your LPG cylinder and regulator.
- If you can not connect the regulator, DO NOT use the regulator.

Regulator must be replaced with a Blackstone approved model by a professionally licensed, authorized dealer.

CONNECT THE LPG CYLINDER

STEP 01 Ensure that the control knobs are turned OFF.

Ensure that the LPG cylinder is OFF by turning the hand wheel clockwise to a full stop.

STEP 02 Hold the regulator in a straight line with the valve outlet so as not to cross thread the connection.

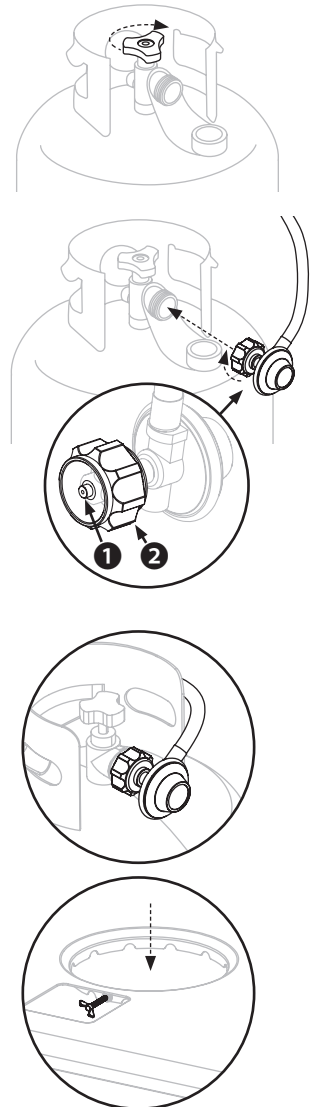
1 Center and insert the regulator nipple into the valve outlet.

2 Hand-tighten the coupling nut in a clockwise direction. (DO NOT use tools to connect.)

If connection cannot be completed, disconnect regulator and repeat this step.

STEP 03 The safety relief valve must face away from the user while the appliance is in use.

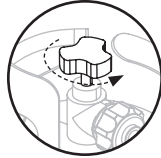
Set the LPG cylinder on the cart base. Tighten the cart base wing screw to secure it to the appliance.





HOW TO TURN ON THE GAS:

Turn the hand wheel counter-clockwise 1 to 3 turns.



LEAK TEST INSTRUCTIONS

- Leak test new and exchanged LPG cylinders BEFORE connecting to appliance.
- DO NOT smoke during leak test.
- DO NOT use an open flame to check for gas leaks.
- Appliance must be leak tested outdoors in a well-ventilated area, away from ignition sources such as gas fired or electrical appliances.
- During leak test, keep appliance away from open flames or sparks.

STEP 01 Turn OFF the gas supply at the gas cylinder valve. Ensure that the controls are OFF.

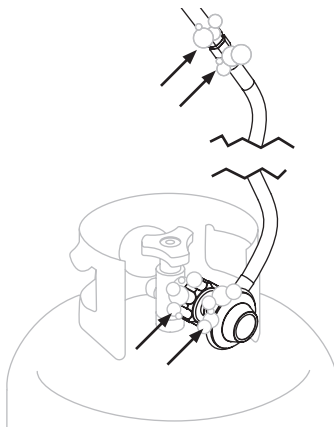
Connect the regulator to the LPG cylinder and turn ON the gas.

If you hear a rushing sound, turn gas off immediately. There is a major leak at the connection.

STEP 02 Make a leak detecting solution by mixing 15 mL (one tbsp) of hand/ dish soap with 60 mL (¼ cup) of water.

STEP 03 Use a clean paintbrush to brush the leak detecting solution onto joint areas of valves and regulator.

STEP 04 If leaks are detected (indicated by growing bubbles), immediately turn OFF the gas and re-tighten connections.



⚠ WARNING

If leaks cannot be stopped, DO NOT try to repair. Regulator must be replaced with a Blackstone approved model by a professionally licensed, authorized dealer.

⚠ WARNING

A frosty regulator indicates a problem. Immediately close LPG cylinder valve and call local LPG dealer for assistance.

STORING LPG CYLINDERS

⚠ WARNING

- DO NOT store a spare LPG cylinder under, near, or in this appliance.
 - DO NOT fill an LPG cylinder beyond 80% full.
- If the information above is not followed exactly, a fire causing death or serious injury may occur.

- The LPG cylinder must be turned OFF when the appliance is not in use.
- LPG cylinders must be stored outdoors and out of the reach of children.
- DO NOT store an LPG cylinder inside a building, garage, or in any other enclosed area.
- DO NOT store an LPG cylinder where temperatures can reach over 122°F (50°C).

DISCONNECTING THE LPG CYLINDER

Storage of the appliance indoors is only permissible if the LPG cylinder is disconnected and removed from the appliance.

STEP 01 Ensure that the appliance controls are turned to OFF.

STEP 02 Ensure that the LPG cylinder is OFF by turning the hand wheel clockwise to a full stop.

STEP 03 Turn the coupling nut counter-clockwise by hand to remove the regulator. (DO NOT use tools to disconnect.)

Place dust cap on cylinder valve outlet whenever the cylinder is not in use. Only install the type of dust cap on the cylinder valve outlet that is provided with the cylinder valve. Other types of caps or plugs may result in leakage of propane.

OBTAINING AND FILLING THE GAS CYLINDER

- Use only those reputable companies that inspect, precision fill, test and certify their cylinders. LPG dealer must purge new cylinder before filling.
- To remove gas from LPG cylinder, contact a certified LPG dealer or local fire department for assistance.
- DO NOT release liquid petroleum gas (LPG) into the atmosphere.
- Filling shall be carried out away from any source of ignition.
- Your retailer can help you match a replacement LPG cylinder to your appliance.
- Volume of propane in cylinder will vary by temperature.

IGNITION INSTRUCTIONS

1. CHECK VALVES

⚠️ Ensure gas is OFF before checking appliance valves. Connect/ turn on the gas after checking the valves.

Open hood/ lid prior to lighting, as applicable.

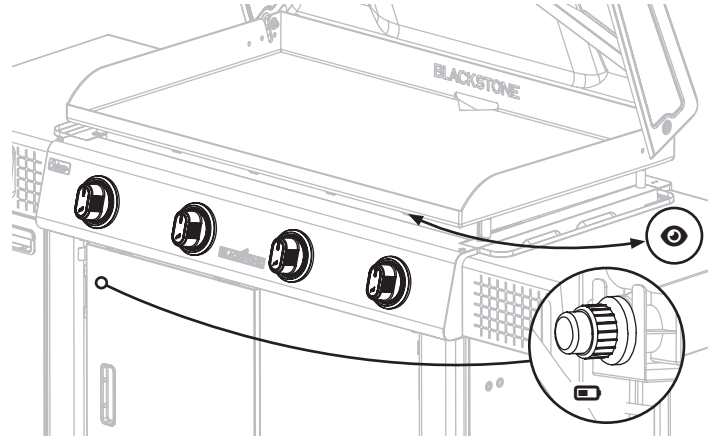
STEP 01 Turn all control knobs to the ❶ OFF position.

STEP 02 Push in the control knobs and release.

STEP 03 Rotate the control knobs to LOW then turn back to OFF.

If the control knobs DO NOT spring back or turn smoothly, contact customer support.

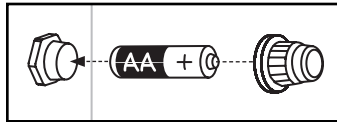
(The valve assembly will need to be replaced before using the appliance.)



2. BATTERY POWERED ELECTRIC IGNITION

STEP 01 Insert one (1) AA battery under the battery cap.

Screw the cap into place over the positive terminal.



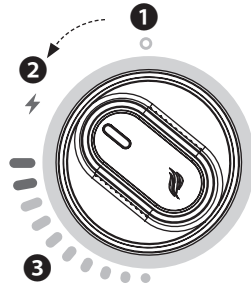
Clean the battery and appliance contacts prior to battery installation.

STEP 02

❶ Push the control knob in to start gas flowing.

❷ Turn the control knob counter-clockwise to activate the starter.

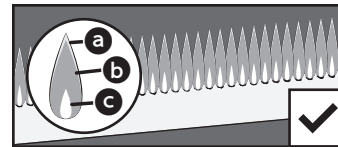
❸ Check flame and adjust the temperature to desired level.



3. ⦿ ALWAYS CHECK THE BURNER FLAME BEFORE USE

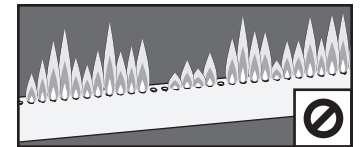
↔ Viewing distance: no closer than 18 in (46 cm).

HEALTHY FLAME PATTERN



❶ Flickers of yellow. ❷ Dark blue. ❸ Vibrant blue.

YELLOW OR IRREGULAR



- When the temperature is set to HIGH, flames should be larger than when the temperature is set to LOW.
- If flames are yellow, irregular, or in an unexpected location, turn the appliance OFF and turn to the Troubleshooting chapter.

⚠️ WARNING

If burner does not ignite with open gas supply valve, gas will continue to flow out of burner and could accidentally/ inadvertently ignite with risk of injury.

If ignition does not occur in 5 seconds:

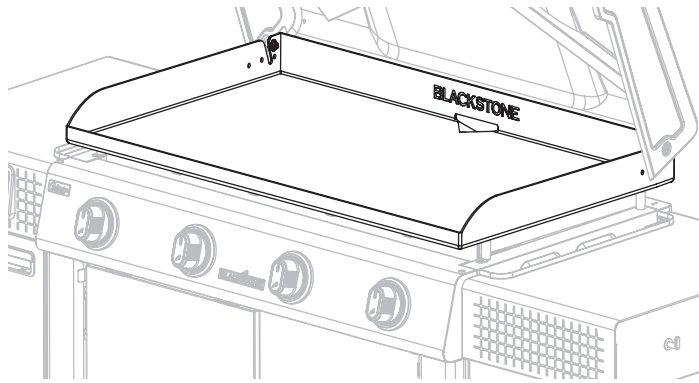
1. Turn the appliance OFF.
2. Wait 5 minutes.
3. Repeat the lighting procedure.

If burner does not ignite, turn the appliance OFF and turn to the Troubleshooting chapter.

⚠️ CAUTION

If your appliance has a hood/ lid, leaving it closed with the burners at a low setting for more than 10 minutes may cause over-heating and burns. The cover/ lid/ hood MUST be open when the appliance is in use.

HOW TO USE YOUR GRIDDLE



WASHING YOUR GRIDDLE TOP BEFORE FIRST USE

NOTICE
Soap will ruin a seasoned griddle. This is the only time you should use soap on the griddle cooking surface.

STEP 01 Wash the griddle cooking surface with hot, soapy water.

STEP 02 Rinse and dry completely.

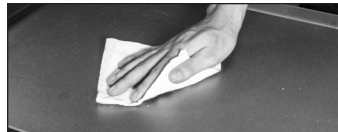
GRIDDLE SEASONING INSTRUCTIONS



VIDEO TUTORIAL

How to Season a New Blackstone Griddle
[youtube.com/watch?v=VspmDVnj2pl&t=3s](https://www.youtube.com/watch?v=VspmDVnj2pl&t=3s)

STEP 01 Wipe any debris off griddle top.



STEP 02 Set your griddle to high heat until your griddle top changes color. (~10 min)

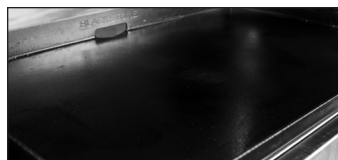


STEP 03 Use tongs to hold a paper towel or cotton cloth and spread 2-3 tablespoons of your seasoning oil across the entire griddle top.

When seasoning your griddle top, remember to use a thin and even layer of oil—the thinner the layer of oil, the easier it will be to burn it off.



STEP 04 The griddle top is ready for another layer of oil when it stops smoking. Repeat **STEP 03** 3-4 times, or until the griddle surface is black.



NOTICE

DO NOT store any items within 3 in (8 cm) of the griddle top while in use.

WHAT OIL IS BEST TO USE?

- Blackstone Seasoning and Cast Iron Conditioner.
- Any plant-based cooking oil.
- Rendered animal fat with no additives.



CAUTION

Properly dispose of the rags/ towels used to spread oil on your griddle top to prevent fires that might occur due to spontaneous combustion.

Under the right conditions, residual oil on rags or towels can oxidize long after being removed from a heat source. The oxidation process itself produces heat which, if not dissipated, can build up and may cause the rags/towels and surrounding material to ignite.

SEASONING TROUBLESHOOTING

There is a brownish residue on the griddle surface:

POSSIBLE CAUSES

- Too much oil was used.
- You turned off the heat too soon.

SOLUTION

STEP 01 Turn your griddle on high and let it heat for 10-15 minutes.

STEP 02 Scrape off as much of the thickened and partially cooked oil as you can.

STEP 03 Re-season with a very thin layer of oil.

The edges of the griddle surface are not black:

After using your griddle for multiple cooks, the seasoning will even out and improve.

PREVENTING RUST

Use your griddle frequently. Every time you cook, you are adding to the seasoning, which makes rust less likely.

NOTICE

If you live in a humid or coastal climate, your griddle may require more frequent seasonings between uses.

If rust appears on the griddle surface, rub it off with steel wool, low grit sandpaper or the **Blackstone Pumice Stone** and re-season the surface.

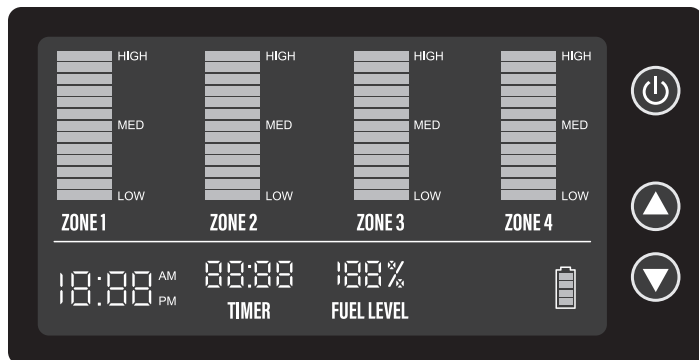


VIDEO TUTORIAL

Recovering your Blackstone Griddle Top
[youtube.com/watch?v=thPE2lgnSil](https://www.youtube.com/watch?v=thPE2lgnSil)



DIGITAL DISPLAY INSTRUCTIONS



TURN THE DISPLAY ON/ OFF

Single press to turn the display ON or OFF.

AUTO SHUTDOWN

Display turns OFF after 5 minutes when all burners are OFF (will enter energy saving mode after 30 seconds).

SET THE TIMER

- Single press : 1 minute increase for each press.
- Press and hold : Minutes will increase until button is released.
 - Press to decrease.
 - Max time is 99 minutes.
- The display will blink when the timer is set. The buzzer will ring when finished.

MUTE FUNCTION

Press and hold for 3 seconds (This will become the default setting until manually changed back. Timer will not sound.).

SET THE CLOCK

STEP 01 To enter the clock set interface: Press and hold and at the same time for 2 seconds.

STEP 02 Set hour: Hour value will blink. Press or . Hour will set after 3 seconds of no input.

STEP 03 Set minute: Minute value will blink. Press or . Minute will set after 3 seconds of no input.

- The time will be remembered for 5 minutes after a power failure.
- The default set time is 12:00 AM.

BATTERY LEVELS

5.5V - 6.2V 6.2V - 6.8V 6.8V - 7.5V $\geq 7.5V$

LOW BATTERY

The frame will flash and beep every 5 minutes.

COOKING ZONE TEMPERATURES

LOW $\geq 200^{\circ}F$

LOW - MED = Temperature indicated at 40°F segments.

MED $\geq 440^{\circ}F$

MED - HIGH = Temperature indicated at 30°F segments.

HIGH $\geq 620^{\circ}F$

TROUBLESHOOTING/ ERROR CODES

Err is displayed above the TIMER icon, the buzzer sounds 5 times, and related icon flashes;

- Temperature sensor error: ZONE 1, ZONE 2, ZONE 3, ZONE 4
- Electronic scale error: FUEL LEVEL

ELECTRONIC SCALE CALIBRATION

Calibration may be required if the electronic scale is inaccurate, e.g. aging of the sensor, changes in the mechanical structure of the scale, etc. The purpose of the calibration is to obtain the unloaded value of the electronic scale.

Note: Make sure there is nothing on the electronic scale when performing calibration.

STEP 01 Make sure the display is ON.

STEP 02 Press and hold and at the same time for 1 second.

Calibration will last for 2 seconds and the screen will display **CL** on the top of the FUEL LEVEL area.



CAUTION

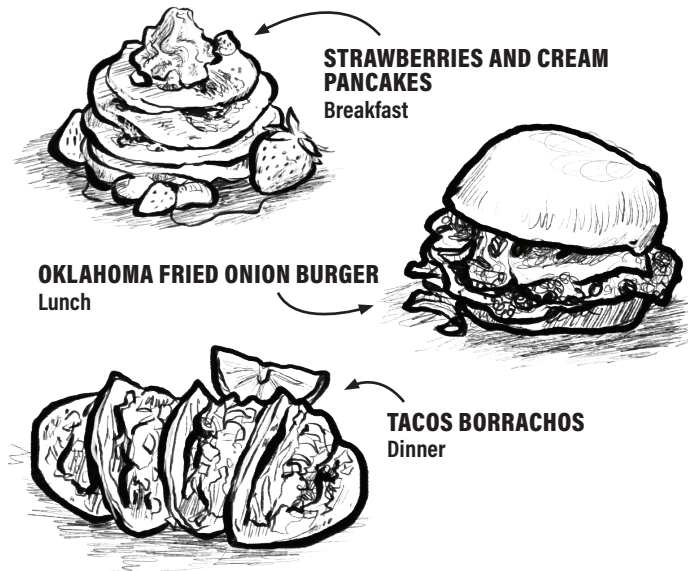
This appliance will be hot during and after use. Use long-handled utensils and oven mitts/ protective gloves when handling potentially hot parts to protect against burns and splatters.

RECIPES AND COOKING TIPS

BlackstoneProducts.com/recipes

youtube.com/BlackstoneGriddles

facebook.com/blackstoneproducts [@blackstoneproducts](https://twitter.com/blackstoneproducts) [@blackstoneproducts](https://instagram.com/blackstoneproducts)



CLEANING YOUR GRIDDLE

Clean griddle top after each use, while still warm.

• DO NOT use soap on the griddle top. This will destroy the griddle's seasoning.



VIDEO TUTORIAL

How to Clean your Blackstone Griddle

youtube.com/watch?v=-ledu9z6NPY

STEP 01 Push loose food debris into the grease cup with spatula or straight metal scraper.



STEP 02 Wipe down griddle top with a paper towel or a Blackstone Scrub Pad.



STEP 03 Apply a few tablespoons of water to the griddle surface, then scrape the water and debris into the grease cup.

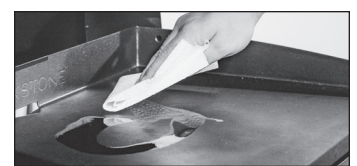
(For stuck-on food residue, use a bit of coarse salt.)



STEP 04 Wipe again with a paper towel and dry completely.



STEP 05 Apply thin coat of cooking oil to maintain seasoning and protect the griddle top.



EMPTY YOUR GREASE CUP

The grease cup must be removed and emptied after each use.

Note: Making sure your griddle is on level ground will allow grease and water to drain towards the rear grease cutout.

CAUTION

Grease cup will be hot during and after use. DO NOT remove the grease cup until the griddle has completely cooled.



⚠ WARNING

Grease build up can cause a fire. Clean any part of the appliance that gets hot and experiences grease build up after each use.

⚠ CAUTION

All cleaning and maintenance should be carried out when the appliance is cool and everything is turned OFF.

- DO NOT use abrasive pad on areas with graphics.
- If a bristle brush is used to clean any of the cooking surfaces, ensure no loose bristles remain on cooking surfaces prior to cooking.

APPLIANCE BODY:

Wash with warm soapy water and immediately wipe dry with a non-abrasive cloth. (DO NOT allow cleaning agents to rest on any porous surface for a prolonged amount of time.)

NOTICE

DO NOT use Citrisol, abrasive cleaners, or a concentrated cleaner on the appliance. This may result in damage to and failure of parts.

APPLIANCE STORAGE

⚠ WARNING

DO NOT move the appliance when in use. Allow the appliance to cool to 115°F (45°C) before moving or storing.

Cover your appliance when stored outdoors. DO NOT store where water will pool.

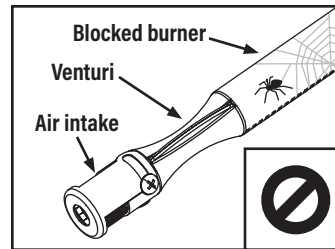


FIND MY COVER
BlackstoneProducts.com

CLEANING THE BURNER ASSEMBLY

Spiders and insects can nest within and clog the burner/venturi tube at the orifice.

To reduce chance of a flashback fire, the procedure below should be followed at least once a month when spiders are most active or when your appliance has not been used for a period of time.



⚠ WARNING

A clogged burner can lead to a fire beneath the appliance.
Burner should be removed and cleaned whenever blockages are found.



VIDEO TUTORIAL

How to Clean Your Burner Tube
▶ [youtube.com/watch?v=xKQTCrFCzf8](https://www.youtube.com/watch?v=xKQTCrFCzf8)

STEP 01 Ensure that the gas is turned OFF at control knobs and gas supply.

- Remove griddle top.
- Detach the burner.

STEP 02 Carefully lift the burner up and away from the gas valve orifice.

STEP 03 Clean the inside of the burner:

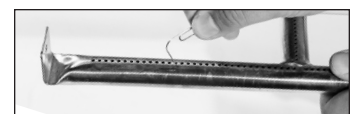
- Run a narrow bottle brush through the burner several times. (DO NOT use wire brushes)
- Use compressed air to blow out the burner. (Wear eye protection)



STEP 04 Brush entire outer surface of burner to remove grime.

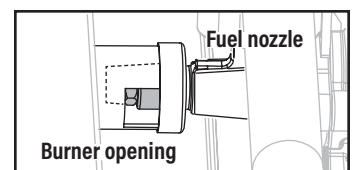


STEP 05 Clean any blocked ports with stiff wire such as an open paper clip.



STEP 06 Carefully replace burners and reattach, with attention to the location of the ignition needle.

⚠ The gas rail fuel nozzle must be reengaged within the burner opening.





TROUBLESHOOTING

BURNER WILL NOT IGNITE

If ignition does not occur in 5 seconds:

STEP 01 Turn the appliance OFF.

STEP 02 Wait 5 minutes.

STEP 03 Repeat the lighting procedure.

If this does not work, attempt to ignite your appliance with a match to determine the cause.

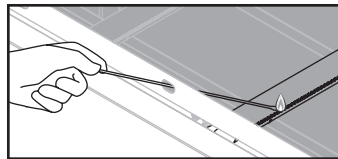
MATCH LIGHTING INSTRUCTIONS

Before beginning, check for gas leaks. Open hood (if applicable).

STEP 01 Turn controls to OFF.

STEP 02 Light a match (or long lighter) no shorter than 28 cm (11 inches) long.

STEP 03 Place the flame next to the burner.



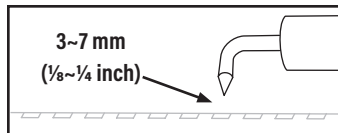
STEP 04 Turn controls to ON to start gas flowing. Ensure burner lights and stays lit.

IF A MATCH CAN NOT IGNITE YOUR APPLIANCE:

POSSIBLE CAUSES	SOLUTION
Gas is not reaching the burners.	Reference the "Gas Is Not Reaching the Burners" section.

IF A MATCH CAN IGNITE YOUR APPLIANCE:

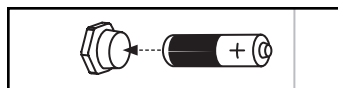
POSSIBLE CAUSES	SOLUTION
Ignitor wire misaligned.	Ensure that the ignitor needle is positioned 3~7 mm (1/8~1/4 inch) away from the burner, and aligned with the burner holes.



Damage to the ignition system.	Contact customer support for replacement parts.
--------------------------------	---

Dead / improperly installed battery.	Replace with new battery.
--------------------------------------	---------------------------

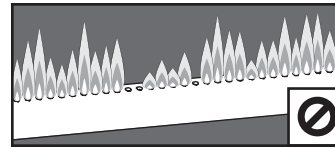
For recycling and disposal of batteries to protect the environment, please check the internet or your local phone directory for local recycling centers and/ or follow local government regulations.



- Ensure the battery is installed correctly with regard to polarity (+ and -).
- Remove batteries from equipment that is not to be used for an extended period of time.
- Remove used batteries promptly.

GAS IS NOT REACHING THE BURNERS

FLAMES ARE YELLOW OR IRREGULAR



- Burner flames are inconsistent.
- Flame height drops when a second burner is lit.
- Appliance will not achieve a high heat or heats unevenly.

POSSIBLE CAUSES	SOLUTION
-----------------	----------

Gas cylinder is empty or low. (Not applicable if connected to natural gas)	Refill or replace the gas cylinder.
--	-------------------------------------

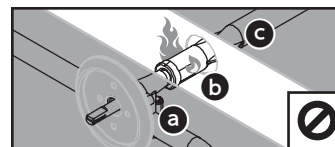
The regulator's flow limiting device was triggered. (Not applicable for appliances that DO NOT have a permanently affixed regulator)	Reset the safety system: STEP 01 Turn OFF the appliance, close the gas cylinder valve, and disconnect the regulator from the gas cylinder.
--	--

STEP 02 Wait five minutes to allow the pressure to dissipate, then reconnect the regulator to the gas cylinder and slowly open the gas cylinder hand wheel one to three turns.

STEP 03 Ignite your appliance. If this does not work, the regulator may be stuck in the safety position. Contact customer support for replacement parts.

Obstructions in the burner.	Clean the burner assembly to remove the obstruction.
-----------------------------	--

FLAME IN AN UNEXPECTED LOCATION



- a** Gas rail & valves.
- b** Air gate/ intake.
- c** Burner.

POSSIBLE CAUSES	SOLUTION
-----------------	----------

Something is blocking the venturi in the burner.	Contact customer support to prevent damage to the appliance.
--	--



CUSTOMER SUPPORT

CONTACT US

For all questions, inquiries, or customer support, please contact us at:

BLACKSTONE PRODUCTS USA

🌐 BlackstoneProducts.com/support

- Please contact us before returning this appliance to your retailer.
- Check BlackstoneProducts.com for hours and languages spoken.

BLACKSTONE PRODUCTS CANADA

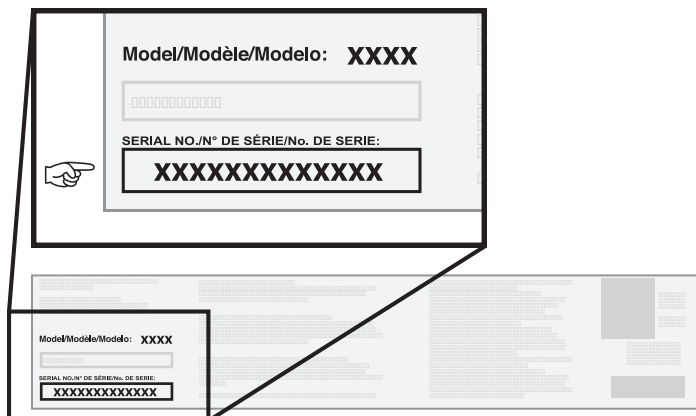
🌐 BlackstoneGriddles.ca

SERIAL NUMBER LOCATION

To enable your warranty, you will need to provide your appliance's Serial Number.

The Serial Number can be found on your appliance's Manufacturer Label.

(The Manufacturer Label is a large silver sticker found on the body of your appliance.)



📄 **FREE E-COOKBOOK WHEN YOU REGISTER**



ONE YEAR WARRANTY

North Atlantic Imports, LLC warrants this product against defects in materials and workmanship for a period of one (1) year from the original date of purchase under normal use. To the extent any such defects occur, North Atlantic Imports, LLC, in its discretion, will provide the appropriate replacement part(s) at no charge.

In no event shall North Atlantic Imports, LLC be liable for consequential, indirect or incidental damages resulting from the installation, use or failure of the product.

This warranty DOES NOT cover:

- Inspection costs or labor for replacement of any defective part(s);
- Cosmetic defects which DO NOT affect product performance or integrity;
- Normal wear and tear;
- Damage due to vandalism; acts of nature, including but not limited to wind, storms, hail, floods;
- Improper assembly, installation, or use;
- Discoloration or fading of the finish as a result of exposure to chemicals, spills, pool or salt water;
- Corrosion/ rust.

This product has been designed for safety and quality. Any modifications made to the original product could compromise its structural integrity or function and could lead to product failure or personal injury. As such, modifying this product voids all warranties.

This product is for RESIDENTIAL USE ONLY, and is not for commercial, contract or other non-residential purposes. North Atlantic Imports, LLC disclaims all other representations and warranties of any kind, express or implied.

The warranty applies to the original purchaser and is non-transferable. It does not apply to accessories or parts not supplied with the product, to purchases of display models, or to product that is sold on clearance or "as is". You may, however, have other specific legal rights based on the laws of your specific state or country of residence.

To activate your warranty, register your product at BlackstoneProducts.com/register

North Atlantic Imports, LLC reserves the right to change or modify this warranty at any time.

This product may be covered by one or more issued U.S. and/or international patents and may include patent applications pending.

For more information, please visit: BlackstoneProducts.com/patents

Blackstone is a registered trademark of North Atlantic Imports, LLC

©2025 North Atlantic Imports. All rights reserved.

Distributed by North Atlantic Imports, LLC 1073 W 1700 N Logan, UT 84321 USA



This page intentionally left blank



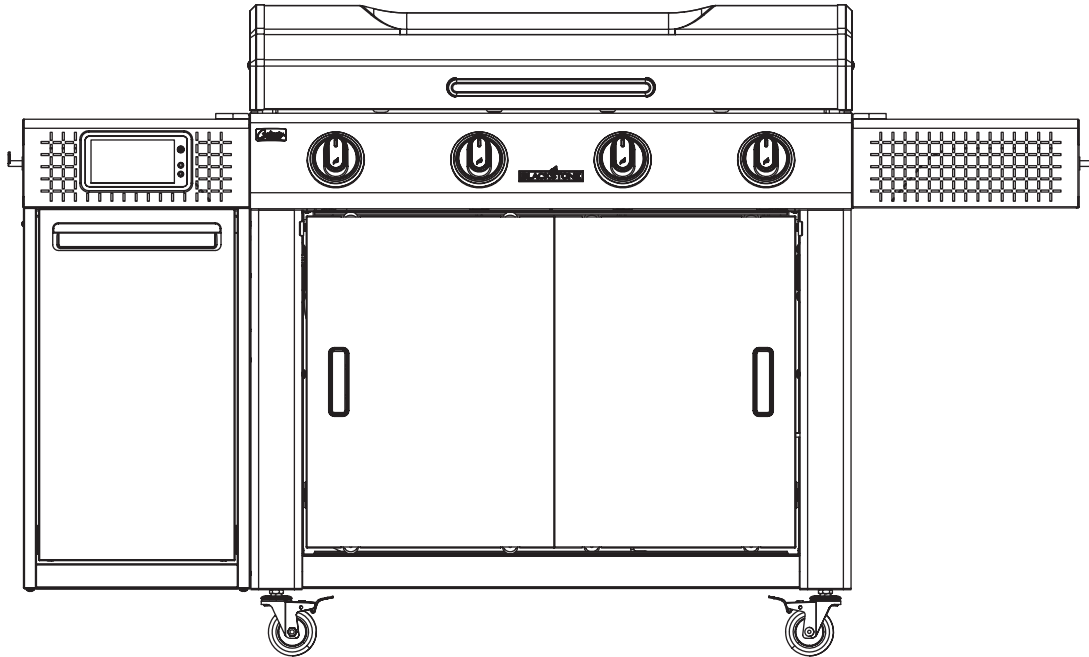
This page intentionally left blank



This page intentionally left blank







MANUEL DU PROPRIÉTAIRE

PLAQUE CHAUFFANTE DE 36 PO AVEC HOTTE ET ARMOIRE

TABLE DES MATIÈRES

INFORMATIONS DE SÉCURITÉ IMPORTANTES	02
GUIDE D'ASSEMBLAGE	04
INSTRUCTIONS D'UTILISATION	17
DÉPANNAGE	23
SERVICE CLIENT	24



Dernière version du manuel:
BlackstoneProducts.com/support

IMPORTANT:

Ce manuel d'instructions contient des informations importantes nécessaires au montage correct et à l'utilisation en toute sécurité de l'appareil.

Lisez et suivez tous les avertissements et instructions avant d'assembler et d'utiliser l'appareil.

Suivez tous les avertissements et instructions lors de l'utilisation de l'appareil.

Conservez ce manuel pour référence ultérieure.

Installateur/Assembleur : Laisser ces instructions au consommateur.

CLÉ D'ALERTE DE SÉCURITÉ

⚠ DANGER

Indique une situation dangereuse qui, si elle n'est pas évitée, entraînera la mort ou des blessures graves.

⚠ ATTENTION

Indique une situation dangereuse qui, si elle n'est pas évitée, pourrait entraîner des blessures mineures ou modérées.

⚠ AVERTISSEMENT

Indique une situation dangereuse qui, si elle n'est pas évitée, peut entraîner la mort ou des blessures graves.

AVIS

Indique des informations considérées comme importantes, mais non liées à un danger (par exemple, des messages liés à des dommages matériels).

INFORMATIONS DE SÉCURITÉ IMPORTANTES

SÉCURITÉ DES APPAREILS À GAZ

⚠ DANGER

Si vous sentez une odeur de gaz:

- Fermez le gaz vers l'appareil.
- Éteignez toute flamme nue.
- Ouvrez le capot (le cas échéant).
- Si l'odeur persiste, éloignez-vous de l'appareil et appelez immédiatement votre fournisseur de gaz ou votre service d'incendie.

Le non-respect de ces instructions peut entraîner un incendie ou des dommages matériels, des blessures ou la mort.

⚠ AVERTISSEMENT

Une bouteille de GPL non connectée pour utilisation ne doit pas être stockée à proximité de cet appareil ou de tout autre appareil.

Les bouteilles de GPL ne doivent pas être stockées dans des compartiments de l'appareil qui ne sont pas destinés à cet effet. Un tel stockage non autorisé peut entraîner une explosion, un incendie ou des blessures corporelles.

L'INSTALLATION DOIT ÊTRE CONFORME AUX CODES LOCAUX.

En l'absence de codes locaux, l'installation doit être conforme à ANSI Z223.1/NFPA 54, CSA B149.1 ou CSA B149.2.

⚠ DANGER

- **NE FAITES jamais fonctionner cet appareil sans surveillance.**
- **En cas d'incendie, éloignez-vous de l'appareil et appelez immédiatement les pompiers. N'ESSEYER PAS d'éteindre un feu d'huile ou de graisse avec de l'eau.**

Le non-respect de ces instructions peut entraîner un incendie ou des dommages matériels, des blessures ou la mort.

REMARQUE: Cet équipement a été testé et déclaré conforme aux limites d'un appareil numérique de classe B, conformément à la partie 15 des règles de la FCC. Ces limites sont conçues pour fournir une protection raisonnable contre les interférences nuisibles dans une installation résidentielle. Cet équipement génère, utilise et peut émettre de l'énergie radiofréquence et, s'il n'est pas installé et utilisé conformément aux instructions, peut provoquer des interférences nuisibles aux communications radio. Cependant, rien ne garantit que des interférences ne se produiront pas dans une installation particulière. Si cet équipement provoque des interférences nuisibles à la réception radio ou télévision, ce qui peut être déterminé en éteignant et en allumant l'équipement, l'utilisateur est encouragé à essayer de corriger les interférences en prenant une ou plusieurs des mesures suivantes:

- Réorientez ou déplacez l'antenne de réception.
- Augmentez la séparation entre l'équipement et le récepteur.
- Connectez l'équipement à une prise sur un circuit différent de celui auquel le récepteur est connecté.
- Consultez le revendeur ou un technicien radio/TV expérimenté pour obtenir de l'aide. Radiateurs/radio involontaires.

⚠ DANGER



RISQUE DE MONOXYDE DE CARBONE

Cet appareil peut produire du monoxyde de carbone qui est toxique et inodore.

Son utilisation dans un espace clos peut vous tuer. N'utilisez jamais cet appareil dans un espace clos tel qu'un camping-car, une tente, une voiture ou une maison.

⚠ DANGER

POUR VOTRE SÉCURITÉ

Ne stockez pas et N'UTILISEZ PAS d'essence ou d'autres liquides ou vapeurs inflammables à proximité de cet appareil ou de tout autre appareil.

Les objets inflammables peuvent prendre feu s'ils sont placés à proximité de l'appareil.

Gardez la zone de l'appareil dégagée et exempte de matériaux combustibles, de contenants aérosols, d'essence et d'autres vapeurs et liquides inflammables.

⚠ AVERTISSEMENT

Une installation, une utilisation, un réglage, une altération, un service, une modification ou un entretien inappropriés peuvent provoquer des dommages matériels, des blessures graves, voire la mort. Lisez attentivement les instructions d'installation, d'utilisation et d'entretien (consultez ce manuel) avant d'installer ou d'entretenir cet équipement.

- L'utilisation d'alcool, de médicaments sur ordonnance ou en vente libre peut nuire à la capacité du consommateur à assembler correctement ou à utiliser l'appareil en toute sécurité.
- Gardez les enfants et les animaux domestiques éloignés de l'appareil à tout moment.
- Ayez à portée de main un extincteur de type BC ou ABC.
- NE PAS utiliser à des fins autres que celles prévues.
- N'UTILISEZ PAS cet appareil comme appareil de chauffage.
- Pour usage domestique extérieur uniquement, pas pour un usage commercial.

Récepteurs - Marquages de vérification FCC : 47 CFR 15.19 (a)

Les changements ou modifications non expressément approuvés par la partie responsable de la conformité pourraient annuler le droit de l'utilisateur à utiliser cet appareil. Cet appareil est conforme à la section 15 de la réglementation de la FCC. Son utilisation est soumise aux deux conditions suivantes : (1) Cet appareil ne doit pas causer d'interférences nuisibles et (2) Cet appareil doit accepter toutes les interférences reçues, y compris celles pouvant entraîner un fonctionnement indésirable.

Modèle No: 2361

North Atlantic Imports, LLC 1073 W 1700 N Logan, UT 84321 USA

BlackstoneProducts.com



AMÉNAGEMENT DE VOTRE ESPACE EXTÉRIEUR

CET APPAREIL NE DOIT ÊTRE UTILISÉ QU'À L'EXTÉRIEUR SUR UNE SURFACE PLANE.

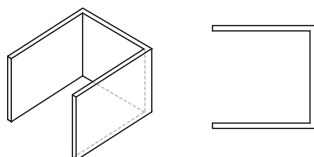
- N'UTILISEZ PAS cet appareil à l'intérieur de bâtiments, de garages ou de tout autre espace clos.
- N'INSTALLEZ PAS cet appareil dans ou sur un bateau.
- N'INSTALLEZ PAS cet appareil dans ou sur un véhicule récréatif.

ESPACES EXTÉRIEURS ABRITÉS:

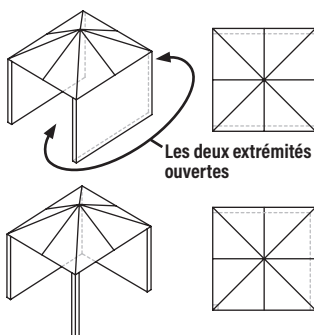
Toutes les ouvertures doivent être ouvertes en permanence ; les portes coulissantes, les portes de garage, les fenêtres ou les ouvertures grillagées ne sont pas considérées comme des ouvertures permanentes.

Un appareil est considéré comme étant à l'extérieur s'il est installé avec un abri ne dépassant pas:

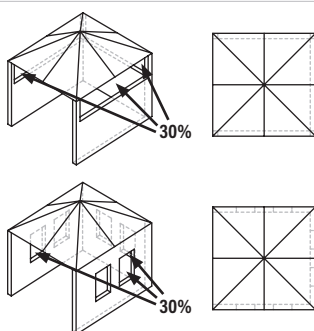
- a. Avec des murs sur trois côtés, mais sans couverture aérienne.



- b. À l'intérieur d'une enceinte partielle qui comprend un toit supérieur et pas plus de deux parois latérales. Les parois latérales peuvent être parallèles, comme dans un passage couvert, ou à angle droit l'une par rapport à l'autre.



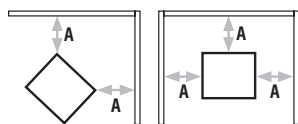
- c. À l'intérieur d'une enceinte partielle qui comprend un couvercle supérieur et trois parois latérales, tant que 30% ou plus de la périphérie horizontale de l'enceinte est ouverte en permanence.



La température ambiante minimale de fonctionnement est de 0°F (-18°C).

MAINTENIR DES DÉGAGEMENTS APPROPRIÉS PAR RAPPORT AUX MATÉRIEAUX COMBUSTIBLES :

- N'UTILISEZ PAS cet appareil sur ou sous un balcon ou une terrasse d'appartement ou de copropriété.
- NE PAS obstruer le flux d'air de combustion et de ventilation.



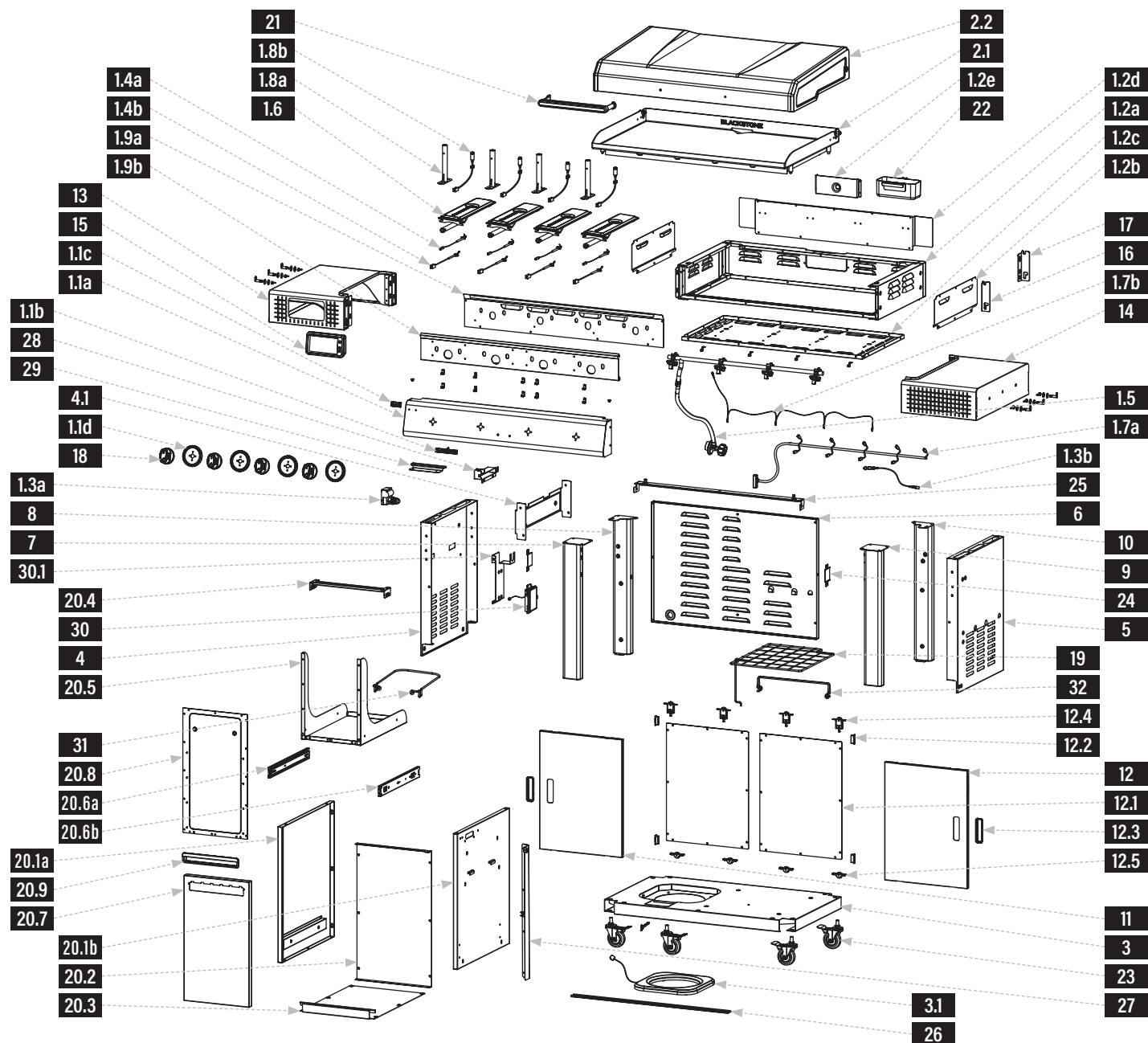
NE FAITES pas fonctionner cet appareil à moins de 36 po (1 m) des côtés et de l'arrière de l'appareil à une construction combustible.

A = 36 po (1 m)

- N'UTILISEZ PAS cet appareil sous une construction combustible suspendue.

GUIDE D'ASSEMBLAGE

VUE ÉCLATÉE

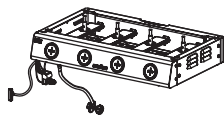
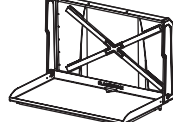
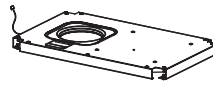
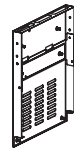
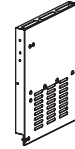
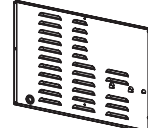

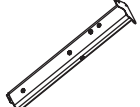
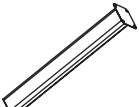
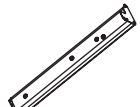


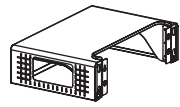
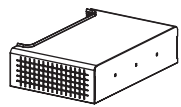
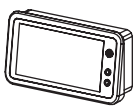



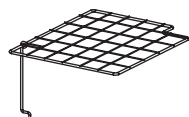
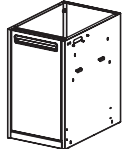

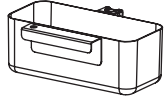
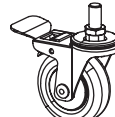


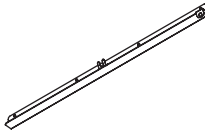
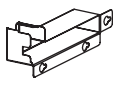
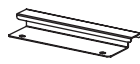
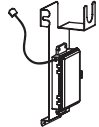
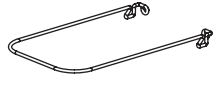
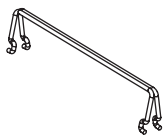


LISTE DES PIÈCES

PIÈCES	QTÉ	PIÈCES	QTÉ	PIÈCES	QTÉ	PIÈCES	QTÉ	
1.1a	Panneau de commande	1	1.2c	Panneau inférieur	1	1.4b	Capteurs de flamme	4
1.1b	Badge Blackstone	1	1.2d	Panneau arrière	1	1.5	Rail de gaz et régulateur	1
1.1c	Badge Culinary	1	1.2e	Panneau de bac à graisse	1	1.6	Brûleurs haute performance	4
1.1d	Cadres de boutons de commande	4	1.3a	Boîtier d'allumage	1	1.7a	Faisceau de câbles principal	1
1.2a	Panneau périphérique	1	1.3b	Fil de mise à la terre	1	1.7b	Câble de connexion de l'allumeur	1
1.2b	Panneaux latéraux	2	1.4a	Aiguilles d'allumage	4	1.8a	Manchons de thermistance	4
						1.8b	Thermistances	4
						1.9a	Panneau déflecteur intérieur	1
						1.9b	Panneau déflecteur extérieur	1
						2.1	Haut de la plaque chauffante Omnivore	1



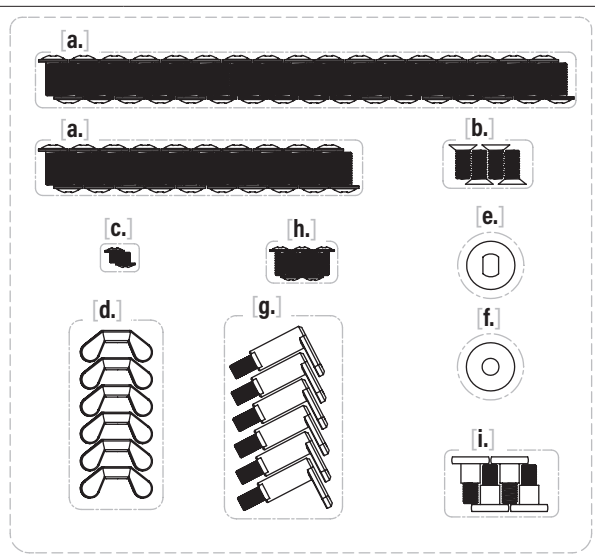


1 Corps de plaque chauffante (1 pièce) 	2 Haut et capot de plaque chauffante (1 pièce) 	3 Base du chariot (1 pièce) 	4 Panneau latéral gauche (1 pièce) 	5 Panneau latéral droit (1 pièce) 	6 Panneau arrière (1 pièce) 
7 Pied avant gauche (1 pièce) 	8 Pied arrière gauche (1 pièce) 	9 Pied avant droit (1 pièce) 	10 Pied arrière droit (1 pièce) 	11 Porte coulissante gauche (1 pièce) 	12 Porte coulissante droite (1 pièce) 
13 Tablette latérale gauche (1 pièce) 	14 Tablette latérale droite (1 pièce) 	15 Affichage numérique (1 pièce) 	16 Support d'étagère latérale (G) (1 pièce) 	17 Support d'étagère latérale (R) (1 pièce) 	18 Boutons de commande (4 pièces) 
19 Tablette intérieure (1 pièce) 	20 Tiroir à bacs (1 pièce) 	21 Poignée de hotte (1 pièce) 	22 Récipient à graisse (1 pièce) 	23 Roulettes (4 pièces) 	24 Butées de porte (2 pièces) 
25 Rail de porte coulissante supérieur (1 pièce) 	26 Rail de porte coulissante inférieur (1 pièce) 	27 Canal de câbles (A) (1 pièce) 	28 Canal de câbles (B) (1 pièce) 	29 Canal de câbles (C) (1 pièce) 	30 Boîtier à piles (1 pièce) 
31 Support pour sac poubelle (1 pièce) 	32 Séparateur d'étagère (1 pièce) 				

PIÈCES	QTÉ	PIÈCES	QTÉ	PIÈCES	QTÉ	PIÈCES	QTÉ
2.2 Hotte	1	12.4 Roues de porte supérieures	4	20.2 Panneau arrière du tiroir à poubelles	1	20.6b Glissière de tiroir droite	1
3.1 Balance GPL	1	12.5 Roues de porte inférieures	4	20.3 Panneau inférieur du tiroir à poubelles	1	20.7 Panneau de tiroir avant	1
4.1 Renfort de panneau	1	20.1a Panneau gauche du tiroir à poubelles	1	20.4 Renfort supérieur du tiroir à poubelles	1	20.8 Doublure de panneau de tiroir	1
12.1 Doublures de porte	2	20.1b Panneau droit du tiroir à poubelles	1	20.5 Cadre de tiroir à bacs	1	20.9 Poignée de tiroir	1
12.2 Aimants de porte	4			20.6a Glissière de tiroir gauche	1	30.1 Support de montage électronique	1
12.3 Poignées de porte	2						



- 33** Pack matériel (1 pièce)
a. Vis M6x14 (34 pièces) (20 pièces)
b. Vis à tête plate M6x14 (4 pièces)
c. Vis M4x4,5 (2 pièces)
d. Écrous à oreilles (6 pièces)
e. Rondelles fendues (6 pièces)
f. Rondelles en acier (6 pièces)
g. Crochets d'étagère (6 pièces)
h. Vis M4x10 (5 pièces)
i. Boulons à épaulement M6 (4 pièces)



INSTRUCTIONS DE MONTAGE

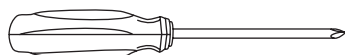
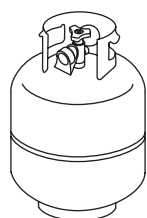
Trouvez une grande surface propre pour assembler votre appareil.
 Retirez tous les matériaux d'emballage avant l'assemblage. (Il se peut que vous ayez du matériel supplémentaire ou de rechange après l'assemblage.)

⚠ ATTENTION

Bouts pointus. Portez des gants lors de l'assemblage.

⚠ ATTENTION

Morceaux lourds. Deux personnes doivent assembler cet appareil.

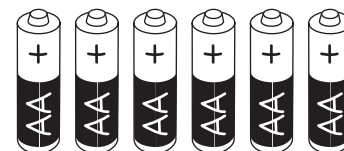


NÉCESSAIRE POUR L'UTILISATION (NON INCLUS):

Bouteille de GPL de 20 lb (9 kg)

NÉCESSAIRE POUR L'ASSEMBLAGE (NON INCLUS):

Tournevis cruciforme n° 3



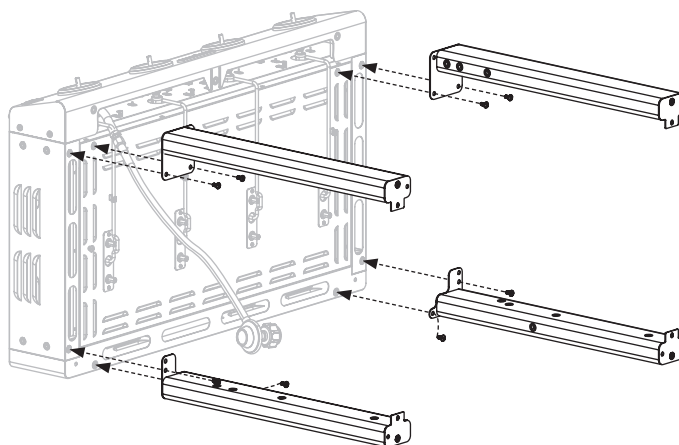
NÉCESSAIRE POUR L'UTILISATION (NON INCLUS):

Une (1) pile AA (pour l'allumage)

NÉCESSAIRE POUR L'UTILISATION (NON INCLUS):

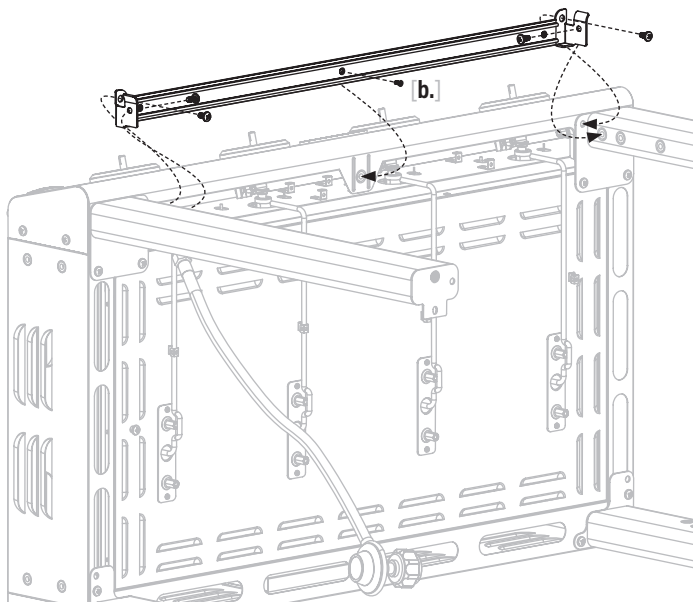
Six (6) piles AA (pour l'affichage numérique)

ÉTAPE 01 Utilisez huit (8) vis M6x14 [a.] pour fixer les quatre (4) pieds au bas du corps de la plaque chauffante.

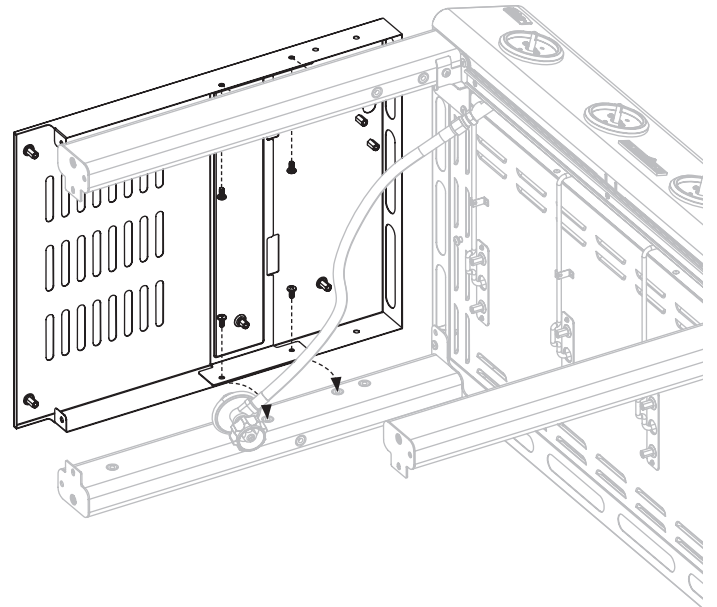




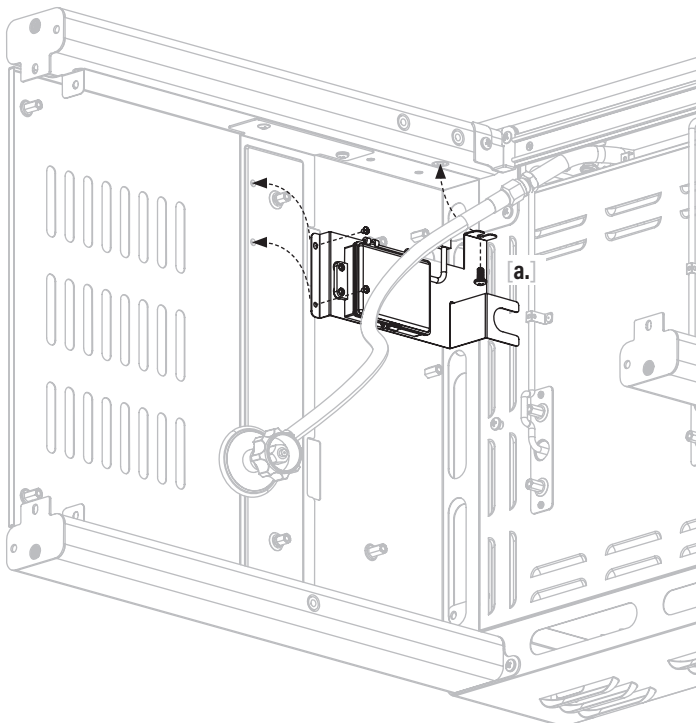
ÉTAPE 02 Utilisez quatre (4) vis M6x14 [a.] pour fixer le rail supérieur de la porte coulissante aux pieds avant. Utilisez une (1) vis à tête plate M6x14 [b.] pour fixer le panneau de commande.



ÉTAPE 03 Utilisez quatre (4) vis M6x14 [a.] pour fixer le panneau latéral gauche aux pieds gauches.

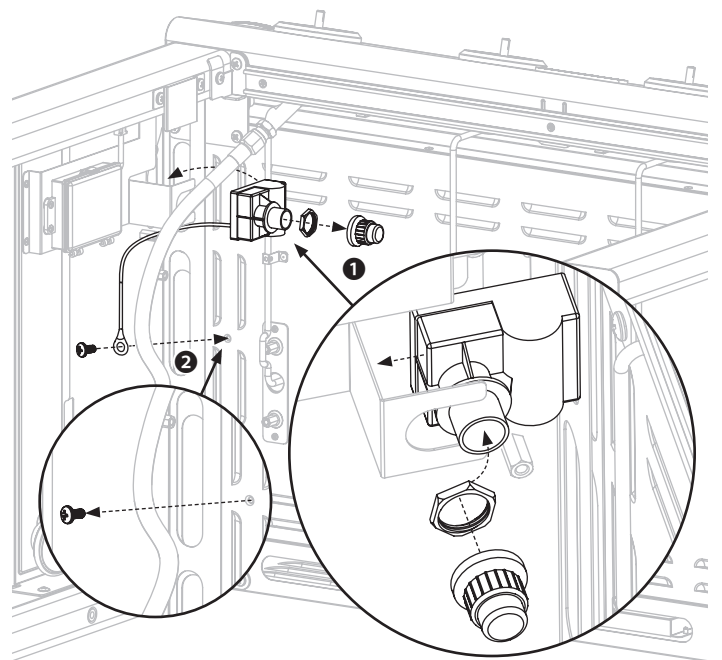


ÉTAPE 04 Utilisez deux (2) vis M4x4,5 [c.] pour fixer le boîtier de batterie au panneau latéral gauche. Utilisez une (1) vis M6x14 [a.] pour fixer au pied avant gauche.

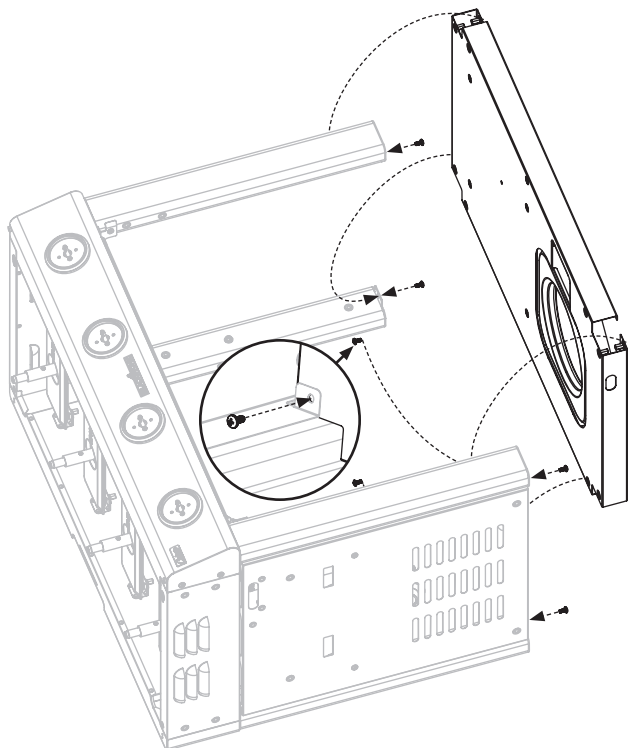


ÉTAPE 05 1 Dévissez le capuchon et l'écrou de l'allumeur du boîtier de l'allumeur. Faites glisser l'allumeur dans le support du boîtier de batterie. Utilisez l'écrou pour fixer et remplacer le capuchon de la batterie.

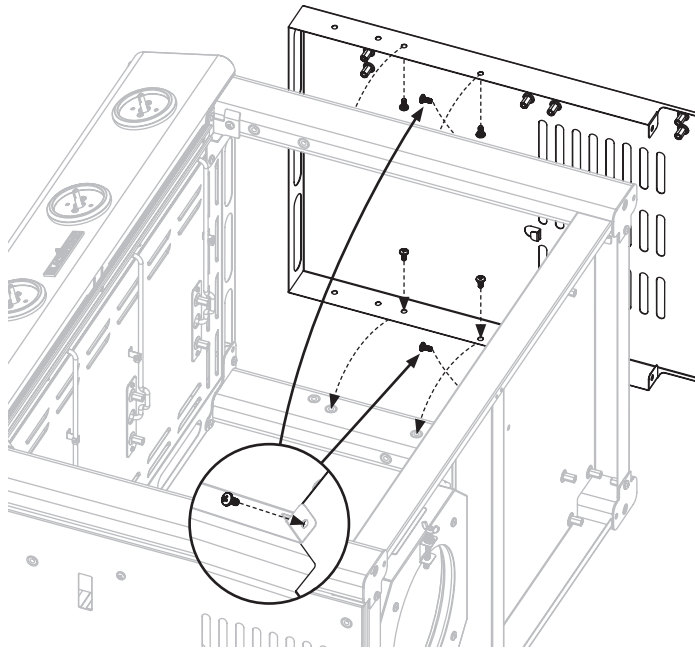
2 Retirez la vis de mise à la terre du bas du corps de la plaque chauffante. Utilisez cette vis pour fixer fermement le fil de mise à la terre de l'allumeur au bas de la plaque chauffante.



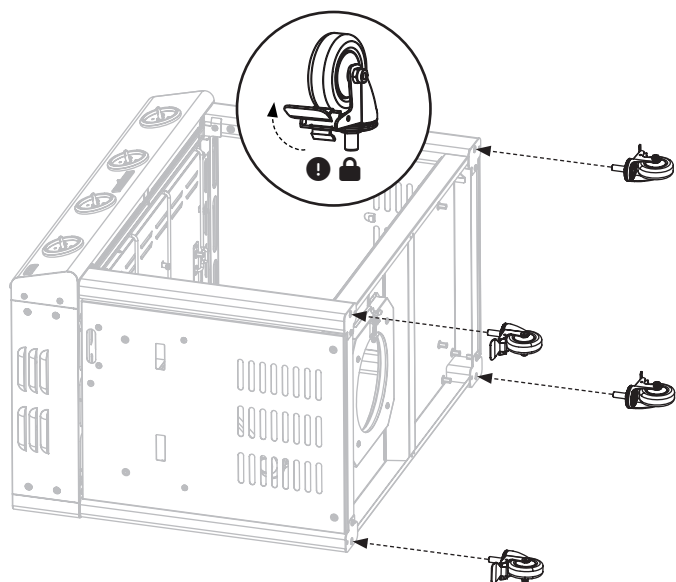
ÉTAPE 06 Faites glisser la base du chariot sur les supports de pieds. Utilisez quatre (4) vis M6x14 [a.] pour fixer les pieds à la base du chariot. Utilisez deux (2) vis M6x14 [a.] pour fixer le panneau latéral gauche à la base du chariot.



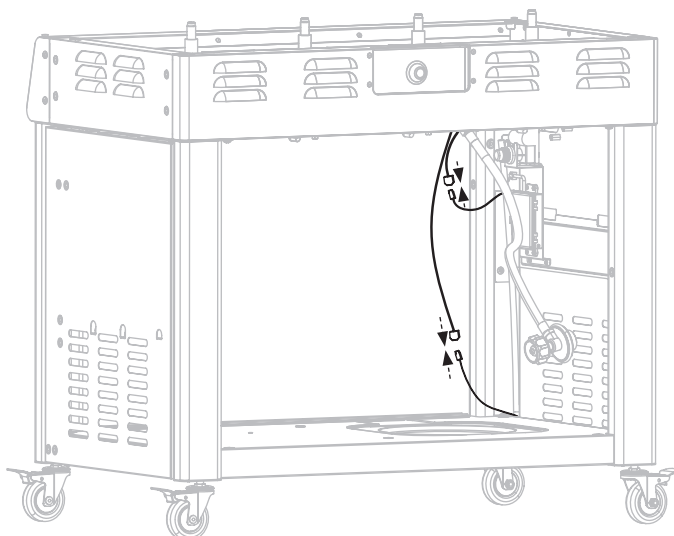
ÉTAPE 07 Utilisez quatre (4) vis M6x14 [a.] pour fixer le panneau latéral droit aux pieds droits. Utilisez deux (2) vis M6x14 [a.] pour fixer le panneau latéral droit à la base du chariot.



ÉTAPE 08 Vissez les quatre (4) roulettes pivotantes dans les pieds. (Assurez-vous que les roues sont verrouillées.)

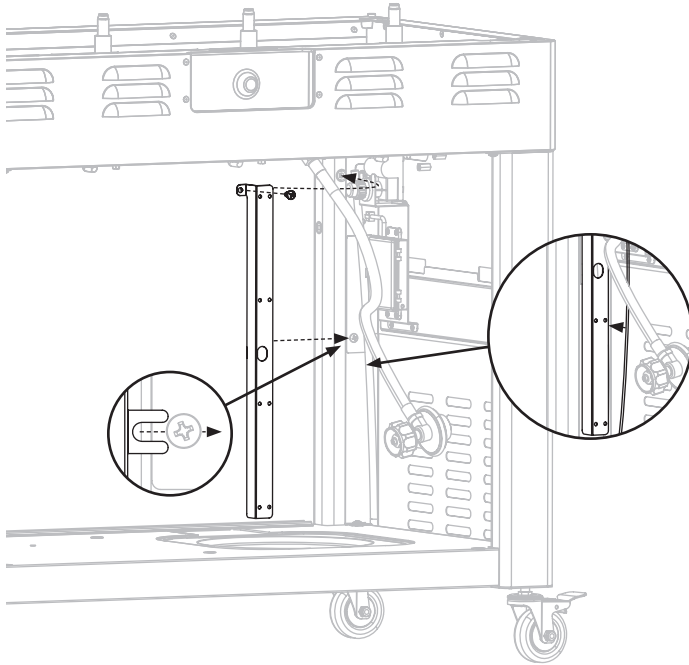


ÉTAPE 09 Avec l'aide d'une autre personne, placez le chariot sur ses pieds. Connectez le fil de la balance GPL et le fil du boîtier de batterie aux fils du câble.

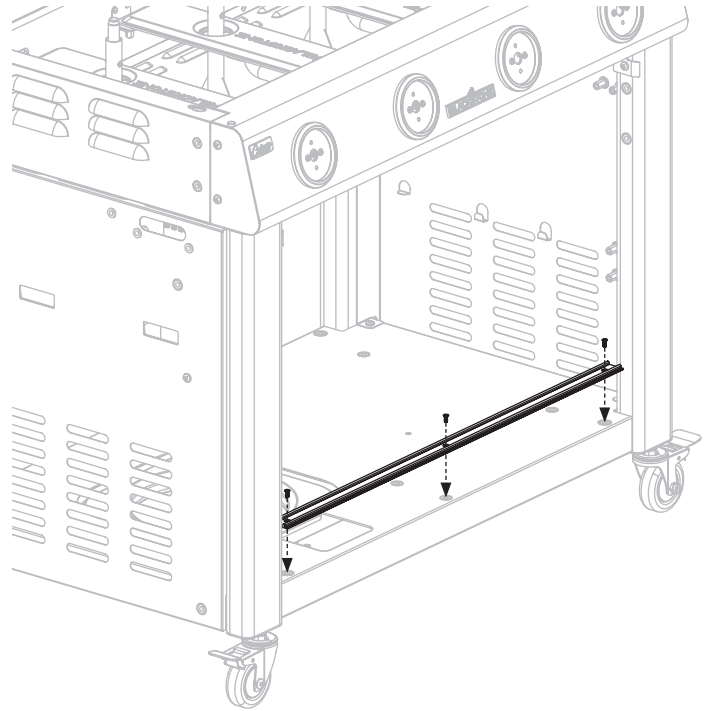




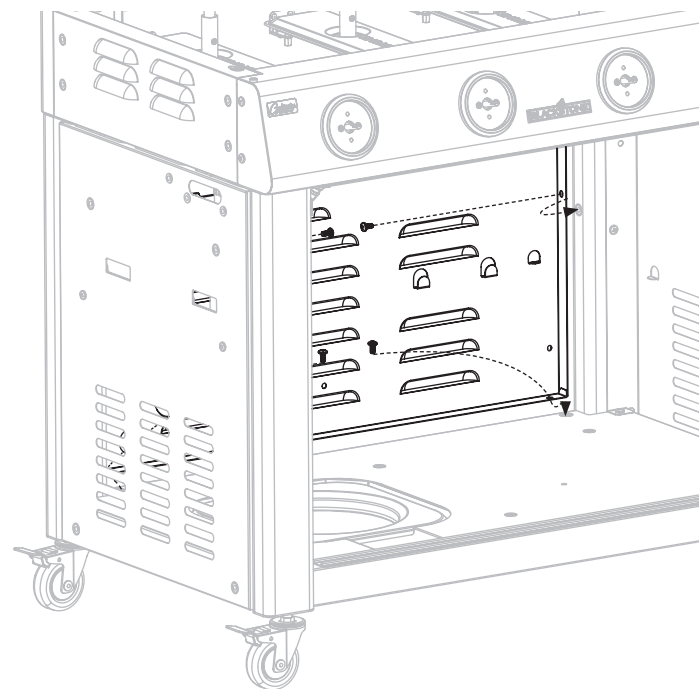
ÉTAPE 10 Utilisez une (1) vis M6x14 [a.] pour fixer le canal de câbles (A) au pied avant gauche. Faites glisser les broches sous la vis du chariot. Rangez les fils du câble dans le canal.



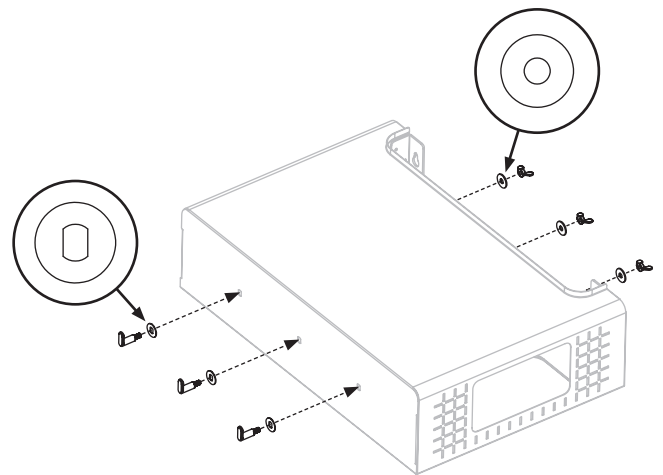
ÉTAPE 11 Utilisez trois (3) vis à tête plate M6x14 [b.] pour fixer le rail de porte coulissante inférieur à la base du chariot.



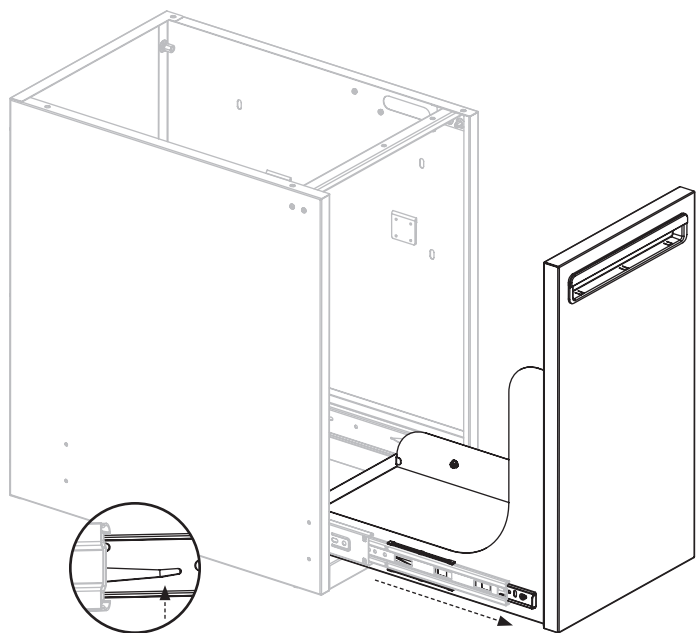
ÉTAPE 12 Utilisez quatre (4) vis M6x14 [a.] pour fixer le panneau arrière aux pieds arrière et à la base du chariot.



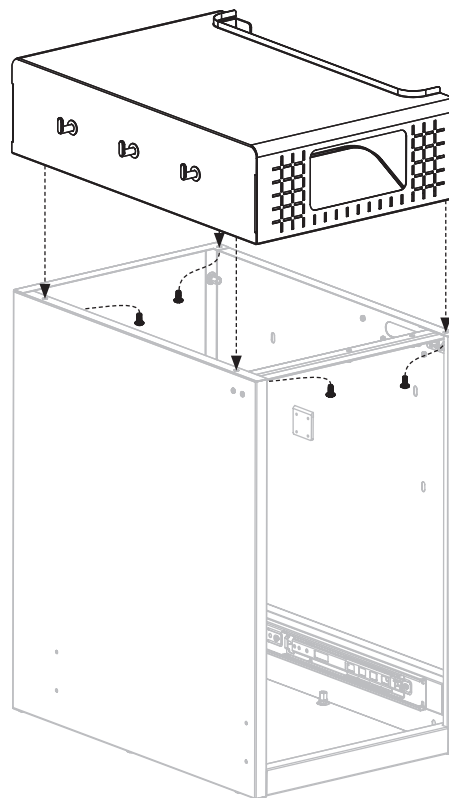
ÉTAPE 13 Utilisez trois (3) écrous à oreilles [d.], trois (3) rondelles en acier [f.] et trois (3) rondelles fendues [e.] pour fixer trois (3) chevilles d'étagère latérale [g.] à l'étagère latérale gauche.



ÉTAPE 14 Retirez les deux (2) rails coulissants du tiroir à bacs des panneaux gauche et droit du tiroir à bacs. Appuyez sur la languette coulissante gauche vers le haut et sur la languette coulissante droite vers le bas pour retirer le tiroir intérieur.

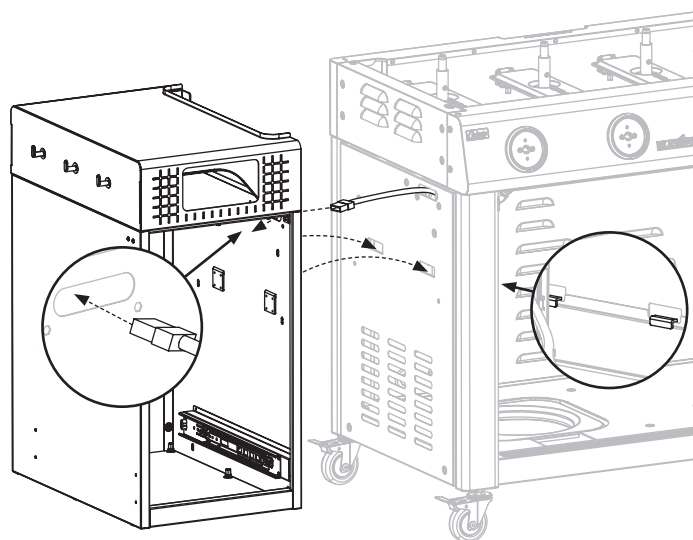
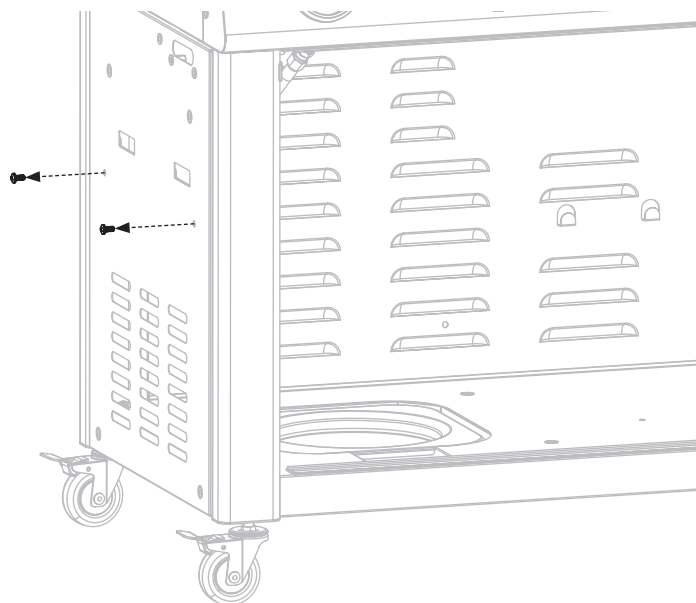


ÉTAPE 15 Utilisez quatre (4) vis M6x14 [a.] pour fixer l'étagère latérale gauche au tiroir à bacs.



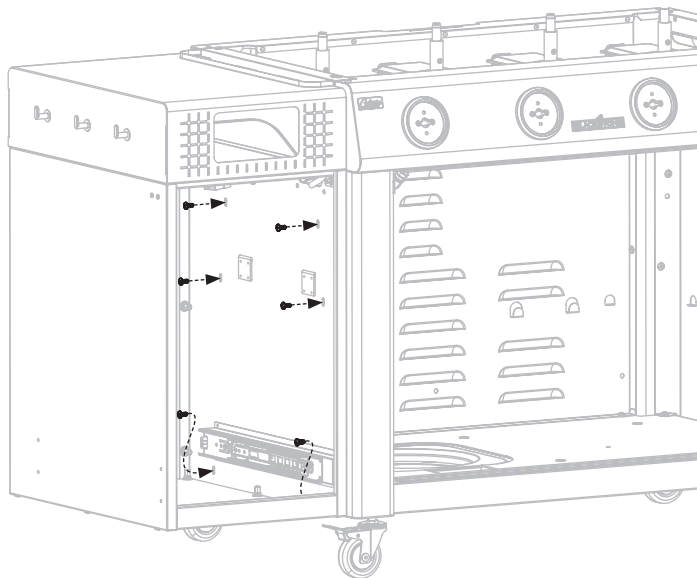
ÉTAPE 16 Retirez les deux (2) vis du panneau latéral gauche du chariot.

ÉTAPE 17 Guidez le fil du câble dans le trou du tiroir du bac. Accrochez le tiroir à bacs aux fentes du panneau latéral gauche du chariot.

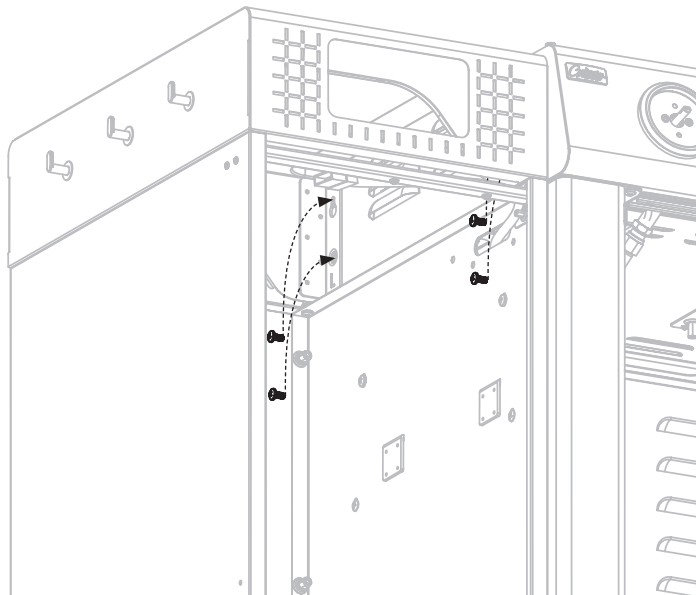




ÉTAPE 18 Utilisez quatre (4) vis M6x14 [a.] et les deux (2) vis précédemment retirées pour fixer le tiroir-poubelle au panneau latéral gauche du chariot.

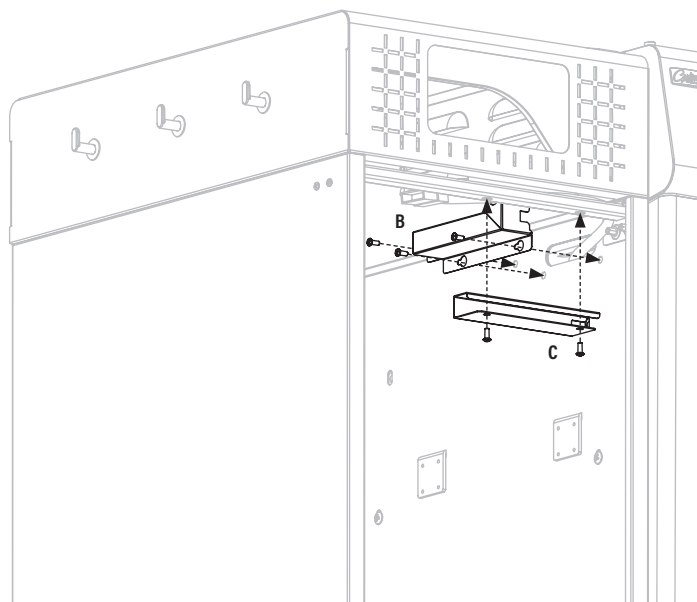


ÉTAPE 19 Utilisez quatre (4) vis M6x14 [a.] pour fixer l'étagère latérale gauche au côté gauche du corps de la plaque chauffante.

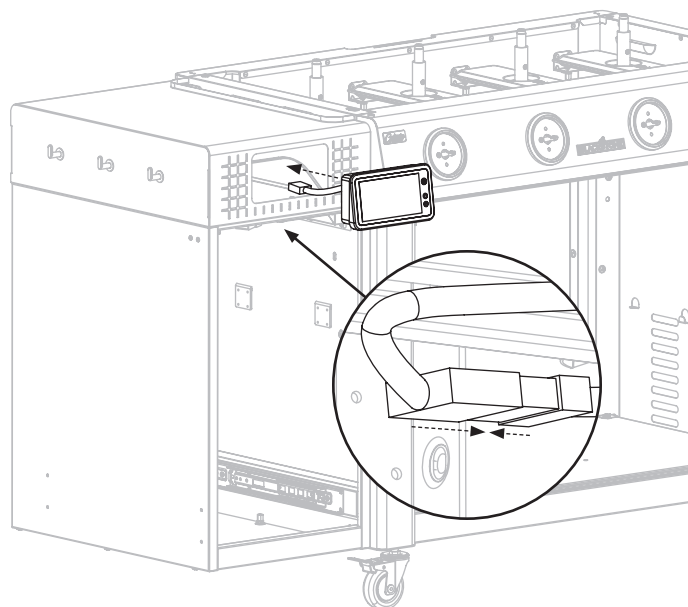


ÉTAPE 20 Faites passer le fil du câble dans le canal de câbles (B). Utilisez trois (3) vis M4x10 [h.] pour fixer le canal de câbles (B) au panneau gauche du chariot.

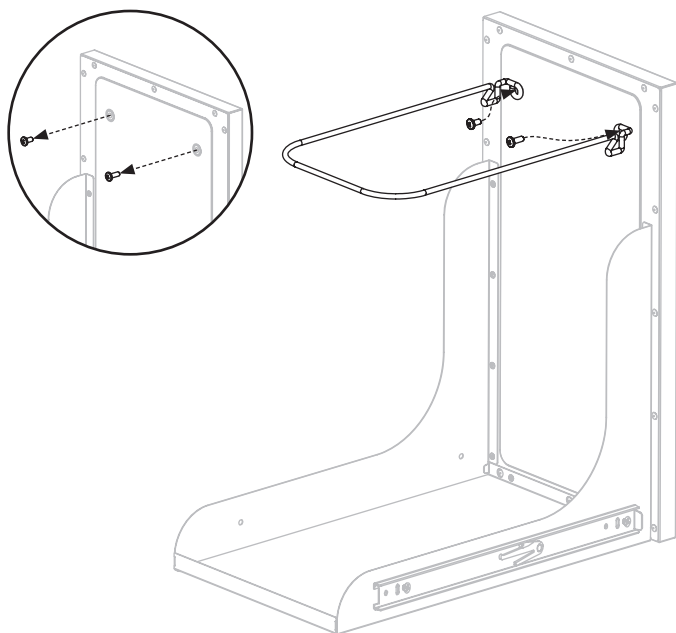
Faites passer le fil du câble dans le canal de câbles (C). Utilisez deux (2) vis M4x10 [h.] pour fixer le canal de câbles (C) au sommet du tiroir du bac.



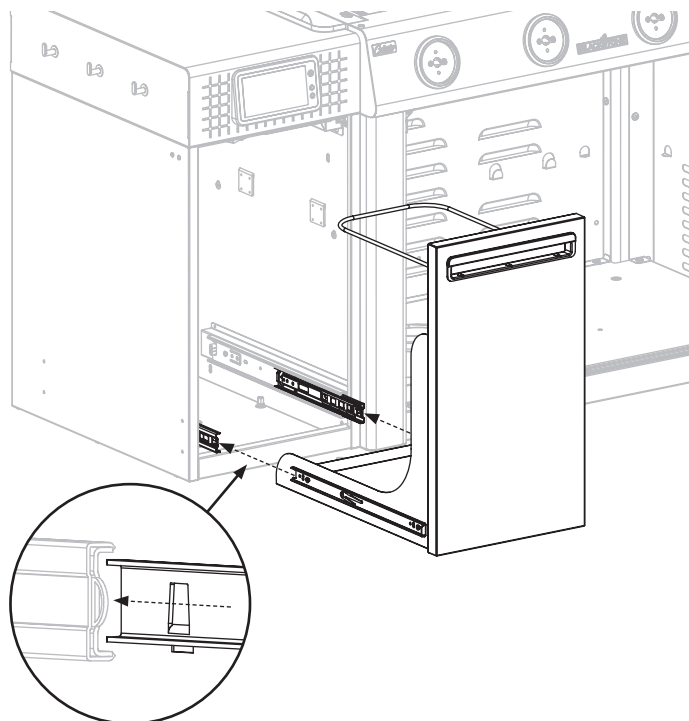
ÉTAPE 21 Connectez le fil du câble au câble d'affichage numérique. Poussez l'affichage numérique en place dans l'étagère latérale gauche.



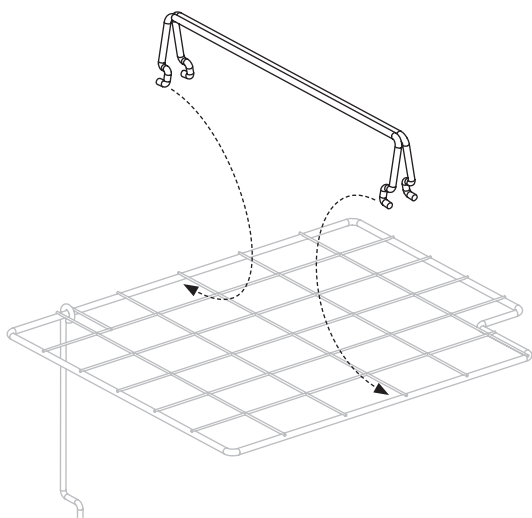
ÉTAPE 22 Utilisez les deux (2) vis préinstallées dans la doublure du panneau du tiroir pour fixer le support de sac poubelle au tiroir de la poubelle intérieure.



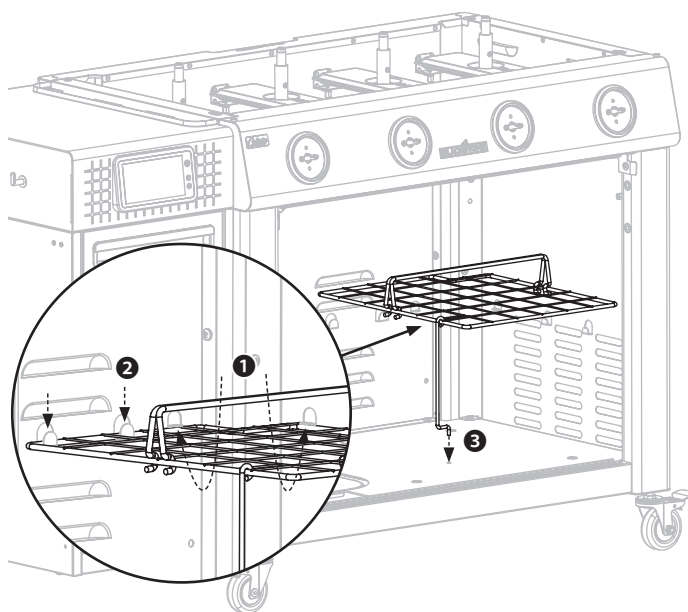
ÉTAPE 23 Retirez les deux (2) rails coulissants du tiroir à bacs des panneaux gauche et droit du tiroir à bacs. Insérez les rails coulissants du tiroir dans les rails du tiroir à bacs.



ÉTAPE 24 Faites lever sur les pieds du séparateur d'étagère pour les placer sur l'étagère intérieure.

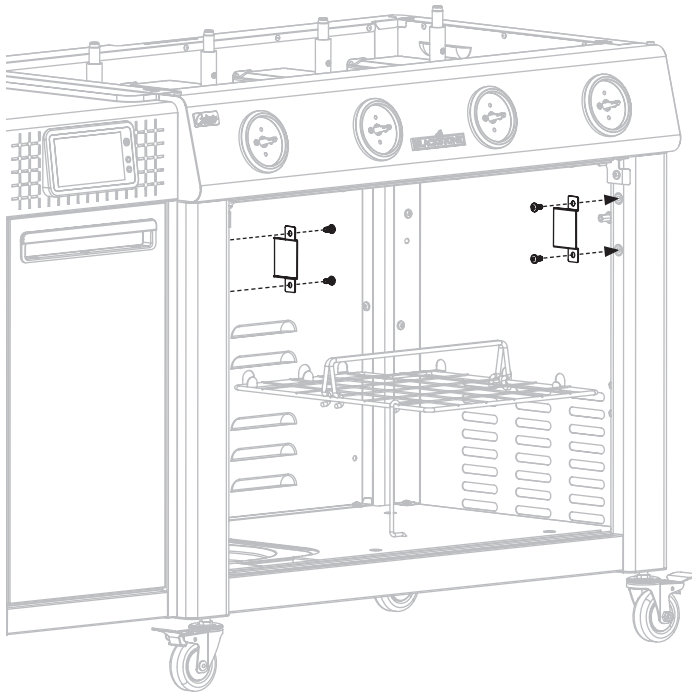


ÉTAPE 25 ① Faites glisser l'étagère intérieure sous les languettes du panneau.
② Placez l'étagère sur les crochets du panneau.
③ Placez le pied de l'étagère dans la base du chariot.



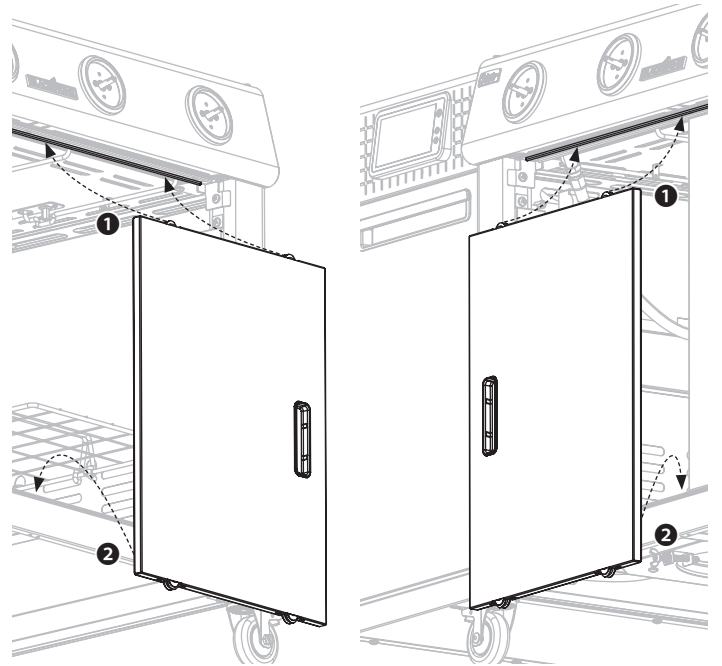


ÉTAPE 26 Utilisez quatre (4) vis M6x14 [a.] pour fixer les butées de porte aux pieds avant.



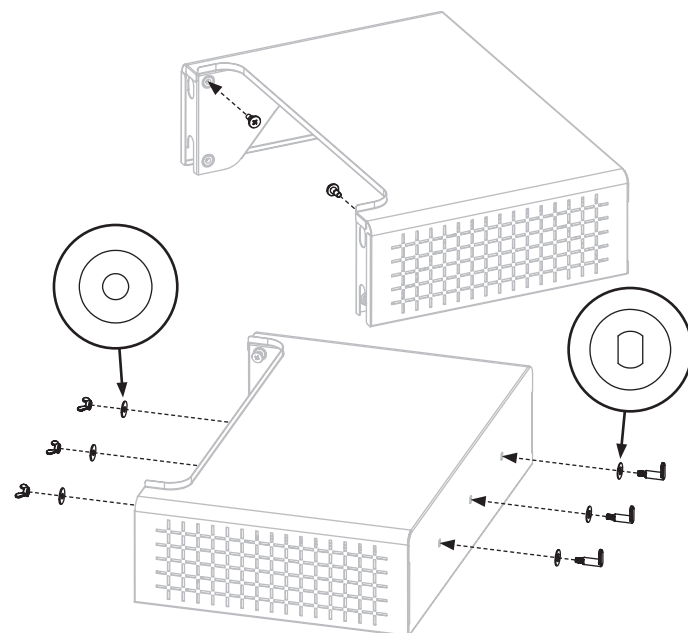
ÉTAPE 27 ① Poussez les roues supérieures de la porte coulissante gauche sur le rail supérieur arrière. ② Placez les roues inférieures sur le rail inférieur arrière.

① Poussez les roues supérieures de la porte coulissante droite sur le rail supérieur avant. ② Placez les roues inférieures sur le rail inférieur avant.

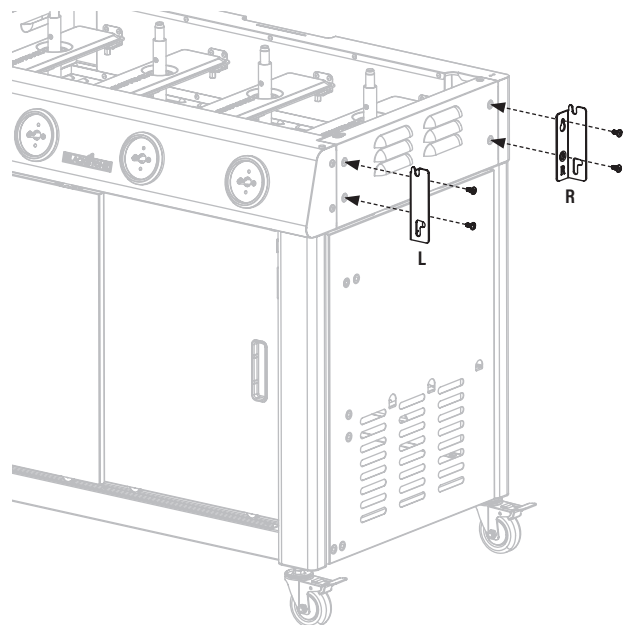


ÉTAPE 28 Vissez deux (2) boulons à épaulement M6 [i.] dans les trous supérieurs de l'étagère latérale droite.

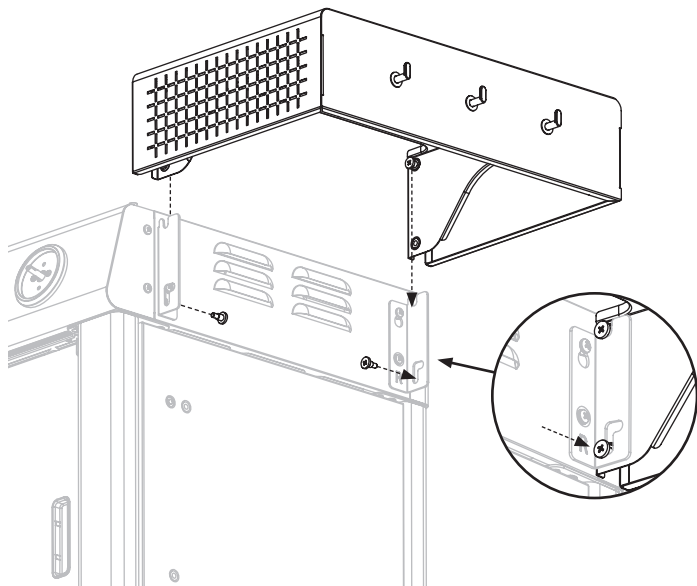
Utilisez trois (3) écrous à oreilles [d.], trois (3) rondelles en acier [f.] et trois (3) rondelles fendues [e.] pour fixer trois (3) chevilles d'étagère latérale [g.] à l'étagère latérale droite.



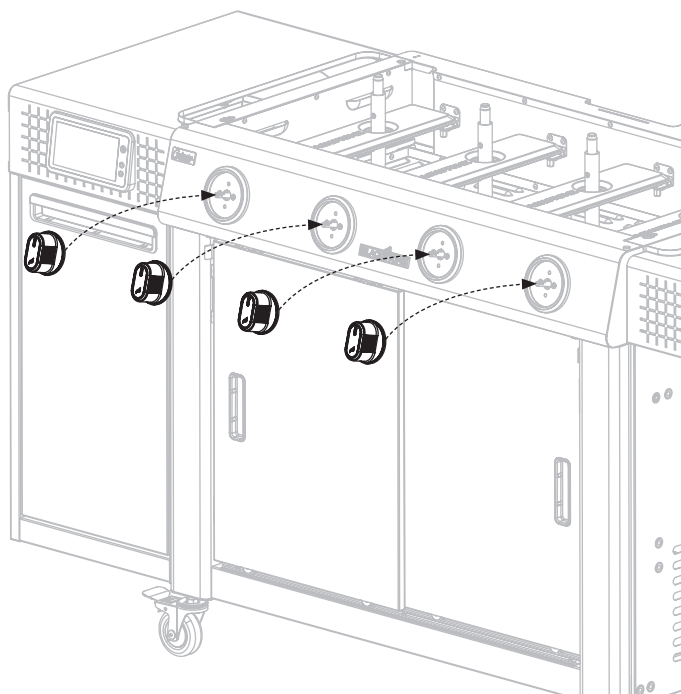
ÉTAPE 29 Utilisez quatre (4) vis M6x14 [a.] pour fixer le support d'étagère latérale (L) et le support d'étagère latérale (R) sur le côté droit du corps de la plaque chauffante.



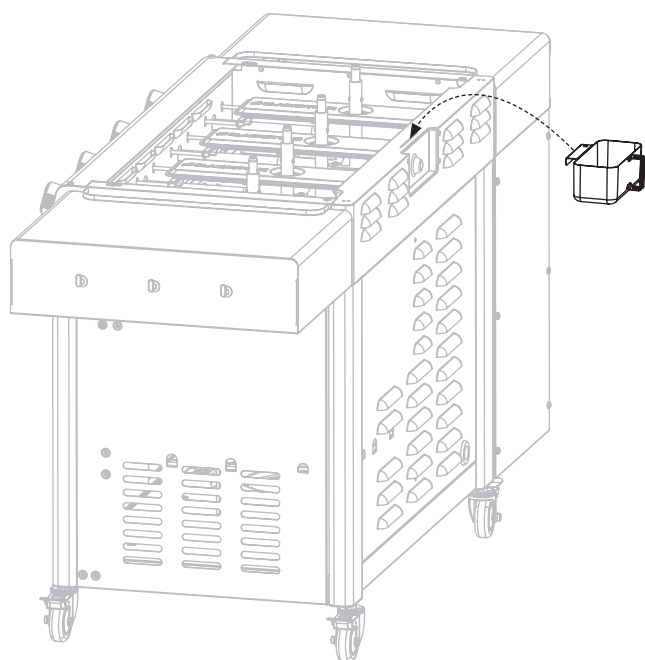
ÉTAPE 30 Accrochez les boulons à épaulement supérieurs de l'étagère latérale droite sur les supports d'étagère latérale. Enfilez deux (2) boulons à épaulement M6 [i.] à travers les supports de tablette latérale pour les fixer.



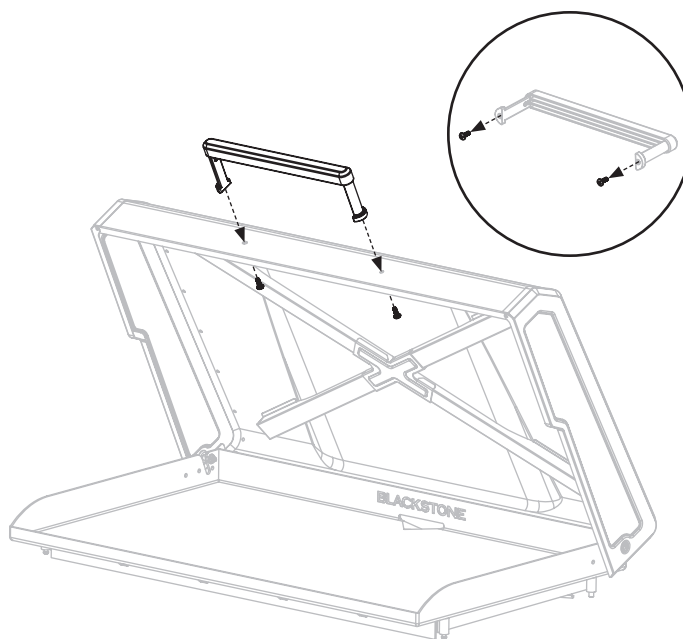
ÉTAPE 31 Installez les quatre (4) boutons de commande en les poussant en place sur les tiges de valve de la rampe de gaz en position OFF.



ÉTAPE 32 Accrochez le bac à graisse dans la fente à l'arrière du corps de la plaque chauffante.



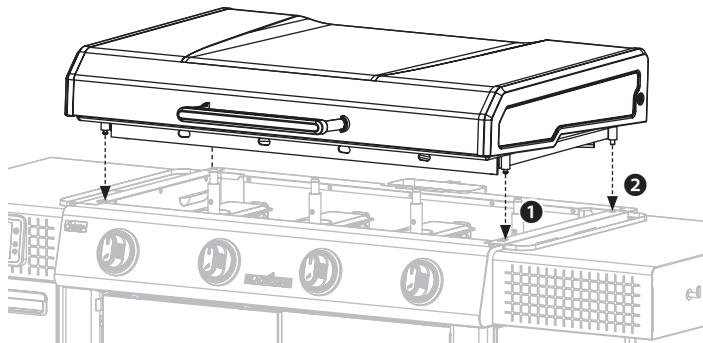
ÉTAPE 33 Utilisez les deux (2) vis préinstallées dans la poignée de la hotte pour fixer la poignée de la hotte à l'avant de la hotte.





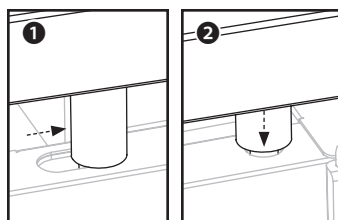
ÉTAPE 34 Avec l'aide d'une autre personne, placez le dessus de la plaque chauffante et la hotte sur le corps de la plaque chauffante en alignant les quatre broches sur les trous situés sur le dessus de l'appareil.

Remarque: ne laissez pas le dessus de la plaque chauffante plier les capteurs de température saillants (thermistances) lorsque vous faites glisser le dessus de la plaque chauffante vers l'arrière.

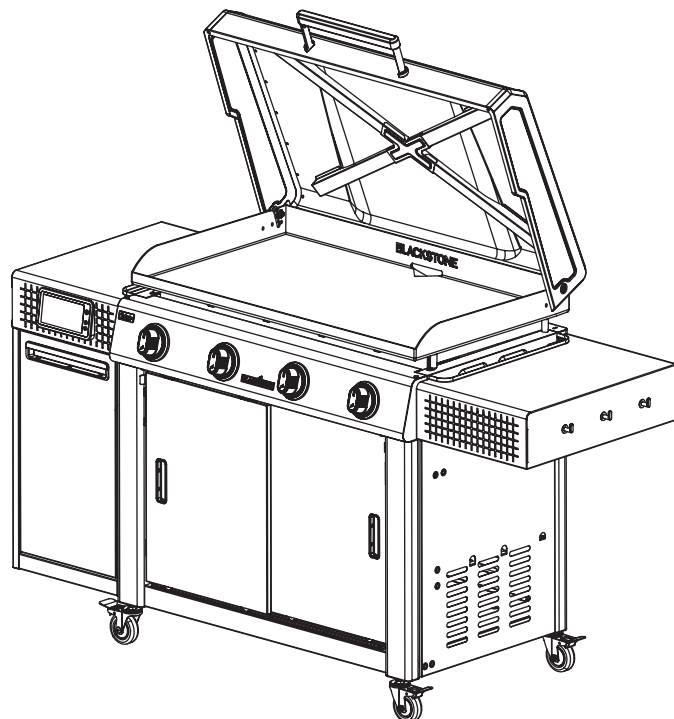


❶ Placez les deux goupilles avant dans les trous de verrouillage avant et repoussez le dessus de la plaque chauffante.

❷ Ensuite, placez les deux broches arrière dans les trous arrière.



ÉTAPE 35 Insérez les six (6) piles AA dans le boîtier à piles. Passez aux **INSTRUCTIONS D'UTILISATION**.



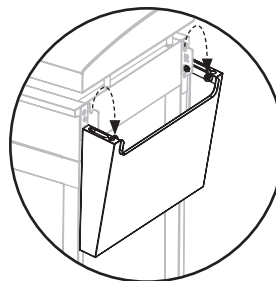
FRANÇAIS

AVIS

- Les piles non rechargeables ne doivent pas être rechargées.
- Ne mélangez pas des piles neuves et usagées.
- Ne mélangez pas des piles alcalines, standard (carbone-zinc) ou rechargeables (Ni-Cad, Ni-MH, etc.).
- Les piles épuisées doivent être retirées du produit.

AVIS

- Le poids maximum sur la tablette latérale est de 4,5 kg (10 lb).
- La tablette latérale peut devenir chaude pendant l'utilisation de l'appareil.



Soulevez et pliez la tablette latérale lors du déplacement ou du stockage, selon le cas.
(La conception des tablettes peut varier.)



INSTRUCTIONS D'UTILISATION

LE SYSTÈME GAZ

RACCORDS ET TUYAUX

Avant le raccordement et l'utilisation, assurez-vous qu'aucun débris n'est coincé ou endommagé dans la tête de la bouteille de gaz, le régulateur, le tuyau, le brûleur et les ports du brûleur. (Un tuyau/régulateur usé ou endommagé doit être remplacé par un modèle approuvé par Blackstone avant d'utiliser l'appareil.)

- Il est recommandé de vérifier et de resserrer chaque année les raccords métalliques.
- Assurez-vous que le tuyau n'est pas obstrué, plié ou en contact avec une partie de l'appareil autre que son raccordement.

Le système d'alimentation des bouteilles de GPL doit être prévu pour l'évacuation des vapeurs.

- Gardez toujours les nouvelles bouteilles de GPL en position verticale pendant l'utilisation, le transport ou le stockage.
- Gardez toujours les ouvertures de ventilation de l'enceinte du cylindre libres et exemptes de débris.

Si de la graisse ou tout autre matériau chaud coule sur la vanne, le tuyau ou le régulateur:

ÉTAPE 01 Coupez immédiatement l'alimentation en gaz.

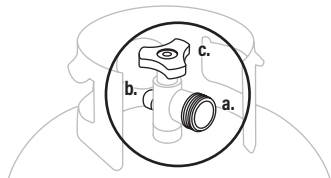
ÉTAPE 02 Déterminez la cause et corrigez-la.

ÉTAPE 03 Nettoyer et inspecter la vanne, le tuyau et le régulateur.

ÉTAPE 04 Effectuez un test de fuite.

EXIGENCES RELATIVES AUX BOUTEILLES DE GPL

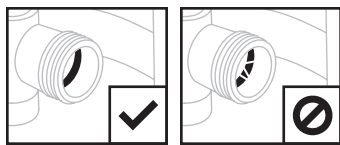
- La bouteille de GPL à utiliser doit être construite et marquée conformément aux spécifications pour les bouteilles de GPL du ministère des Transports des États-Unis (DOT) ou à la norme CSA B339, selon le cas.
- Seules les bouteilles de GPL marquées « propane » doivent être utilisées.
- La bouteille de GPL doit inclure un collier pour protéger la valve de la bouteille de GPL.
- Utilisez uniquement une bouteille de 20 lb (9 kg). (18 x 12 po (45 x 30 cm))



LA VALVE DE LA BOUTEILLE DE GPL DOIT AVOIR :

- Sortie de valve de type 1 (filetage à l'extérieur).
- Soupape de sécurité.
- Dispositif de protection contre le débordement (OPD) homologué UL. Cette fonction de sécurité OPD est identifiée par un volant triangulaire unique.

Remplacez la bouteille uniquement par une bouteille équipée d'un dispositif de sécurité OPD.



CVÉRIFIEZ LE JOINT AVANT UTILISATION

Le joint de sortie de la vanne pourrait, avec le temps, présenter des dommages ou une détérioration marquée et visibles qui pourraient provoquer une fuite même avec le raccordement serré.

- Une inspection visuelle du joint doit être effectuée à chaque fois qu'une bouteille de GPL est remplacée ou remplie.
- Toute bouteille de GPL présentant des signes de dommage ou de détérioration comme ceux illustrés, notamment des fissures et des piqûres visibles, doit être retournée inutilisée au vendeur.

SÉCURITÉ DU RÉGULATEUR

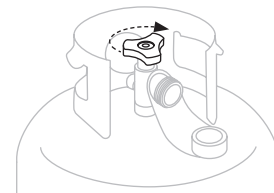
- Utilisez cet appareil, tel qu'il a été acheté, uniquement avec le gaz et l'ensemble régulateur/vanne fournis. N'UTILISEZ PAS de raccords à connexion rapide ou d'autres modules complémentaires.
- NE PAS croiser le filetage (forcer à un angle inapproprié) la connexion entre votre bouteille de GPL et le régulateur.
- Si vous ne parvenez pas à connecter le régulateur, N'UTILISEZ PAS le régulateur.

Le régulateur doit être remplacé par un modèle approuvé par Blackstone par un revendeur agréé et agréé.

CONNECTER LA BOUTEILLE DE GPL

ÉTAPE 01 Tournez les boutons de commande sur OFF.

Assurez-vous que la bouteille de GPL est éteinte en tournant le volant dans le sens des aiguilles d'une montre jusqu'à l'arrêt complet.



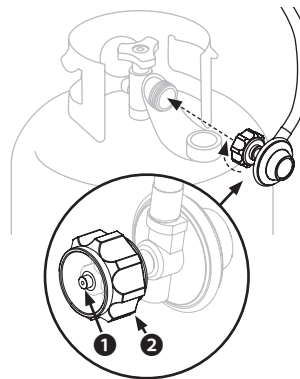
ÉTAPE 02 Tenir le régulateur en ligne droite avec la sortie de la vanne afin de NE PAS croiser le filetage du raccord.

1 Centrez et insérez le mamelon du régulateur dans la sortie de la vanne.

2 Serrez l'écrou d'accouplement à la main dans le sens des aiguilles d'une montre.

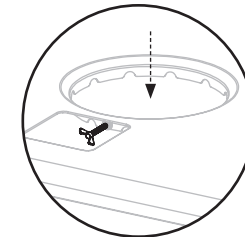
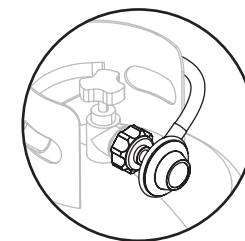
(N'UTILISEZ PAS d'outils pour vous connecter.)

Si la connexion ne peut pas être effectuée, débranchez le régulateur et répétez cette étape.



ÉTAPE 03 La soupape de sécurité doit être tournée vers l'utilisateur pendant que l'appareil est en cours d'utilisation.

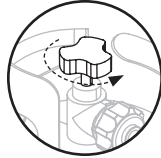
Placez la bouteille de GPL sur la base du chariot. Serrez la vis à oreilles de la base du chariot pour la fixer à l'appareil.





COMMENT ALLUMER LE GAZ:

Tournez le volant dans le sens antihoraire de 1 à 3 tours.



INSTRUCTIONS POUR LE TEST DE FUITE

- Testez les fuites des bouteilles de GPL neuves et remplacées AVANT de les connecter à l'appareil.
- Ne fumez pas pendant le test de fuite.
- N'UTILISEZ PAS de flamme nue pour vérifier les fuites de gaz.
- L'appareil doit être testé contre les fuites à l'extérieur dans un endroit bien ventilé, loin des sources d'inflammation telles que les appareils à gaz ou électriques.
- Pendant le test de fuite, gardez l'appareil à l'écart des flammes nues ou des étincelles.

ÉTAPE 01 Coupez l'alimentation en gaz au niveau du robinet de la bouteille de gaz. Assurez-vous que les commandes sont éteintes.

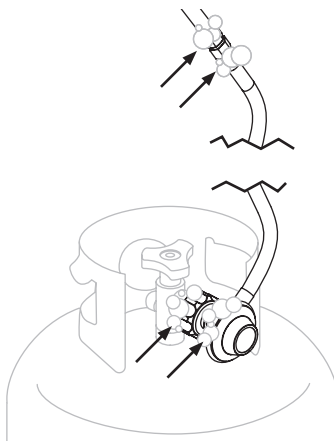
Connectez le régulateur à la bouteille de GPL et ouvrez le gaz.

Si vous entendez un bruit précipité, coupez immédiatement le gaz. Il y a une fuite importante au niveau de la connexion.

ÉTAPE 02 Préparez une solution de détection de fuite en mélangeant 15 ml (une cuillère à soupe) de savon pour les mains/vaisselle avec 60 ml (¼ tasse) d'eau.

ÉTAPE 03 Utilisez un pinceau propre pour appliquer la solution de détection de fuite sur les zones de joint des vannes et du régulateur.

ÉTAPE 04 Si des fuites sont détectées (indiquées par la croissance de bulles), coupez immédiatement le gaz et resserrez les connexions.



⚠ AVERTISSEMENT

Si les fuites ne peuvent pas être arrêtées, N'ESSAYEZ PAS de réparer.

Le régulateur doit être remplacé par un modèle approuvé par Blackstone par un revendeur agréé et agréé.

⚠ AVERTISSEMENT

Un régulateur gelé indique un problème. Fermez immédiatement la vanne de la bouteille de GPL et appelez votre revendeur de GPL local pour obtenir de l'aide.

STOCKAGE DES BOUTEILLES DE GPL

⚠ AVERTISSEMENT

- Ne stockez pas de bouteille de GPL de recharge sous, à proximité ou dans cet appareil.
- Ne remplissez pas une bouteille de GPL à plus de 80%. Si les informations ci-dessus ne sont pas respectées à la lettre, un incendie pouvant entraîner la mort ou des blessures graves peut survenir.

- La bouteille de GPL doit être éteinte lorsque l'appareil n'est pas utilisé.
- Les bouteilles de GPL doivent être stockées à l'extérieur et hors de portée des enfants.
- Ne stockez pas de bouteille de GPL à l'intérieur d'un bâtiment, d'un garage ou dans tout autre espace clos.
- Ne stockez pas une bouteille de GPL là où les températures peuvent atteindre plus de 122°F (50°C).

DÉBRANCHEMENT DE LA BOUTEILLE DE GPL

Le stockage de l'appareil à l'intérieur n'est autorisé que si la bouteille de GPL est débranchée et retirée de l'appareil.

ÉTAPE 01 Assurez-vous que les commandes de l'appareil sont sur OFF.

ÉTAPE 02 Assurez-vous que la bouteille de GPL est éteinte en tournant le volant dans le sens des aiguilles d'une montre jusqu'à l'arrêt complet.

ÉTAPE 03 Tournez manuellement l'écrou d'accouplement dans le sens inverse des aiguilles d'une montre pour retirer le régulateur. (N'UTILISEZ PAS d'outils pour déconnecter.)

Placez le capuchon anti-poussière sur la sortie du robinet de la bouteille lorsque la bouteille n'est pas utilisée. Installez uniquement le type de capuchon anti-poussière sur la sortie du robinet de la bouteille fourni avec le robinet de la bouteille. D'autres types de bouchons ou de bouchons peuvent entraîner une fuite de propane.

OBTENTION ET REMPLISSAGE DE LA BOUTEILLE DE GAZ

- Faites appel uniquement à des entreprises réputées qui inspectent, remplissent avec précision, testent et certifient leurs bouteilles. Le revendeur de GPL doit purger la nouvelle bouteille avant de la remplir.
- Pour retirer le gaz de la bouteille de GPL, contactez un revendeur de GPL certifié ou le service d'incendie local pour obtenir de l'aide.
- Ne rejetez pas de gaz de pétrole liquéfié (GPL) dans l'atmosphère.
- Le remplissage doit être effectué loin de toute source d'inflammation.
- Votre revendeur peut vous aider à associer une bouteille de GPL de remplacement à votre appareil.
- Le volume de propane dans la bouteille varie en fonction de la température.



INSTRUCTIONS D'ALLUMAGE

1. CLAPETS ANTI-RETOUR

⚠ Assurez-vous que le gaz est COUPÉ avant de vérifier les vannes de l'appareil. Branchez/ouvrez le gaz après avoir vérifié les vannes.

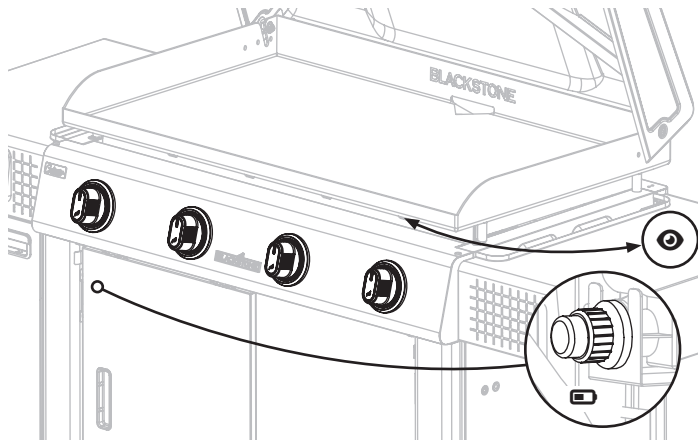
Ouvrez le capot/le couvercle avant d'allumer, le cas échéant.

ÉTAPE 01 Tournez tous les boutons de commande sur la position ❶ off.

ÉTAPE 02 Appuyez sur les boutons de commande et relâchez-les.

ÉTAPE 03 Tournez les boutons de commande sur LOW puis remettez-les sur OFF.

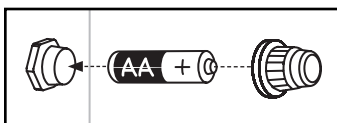
Si les boutons de commande ne reviennent pas en position initiale ou ne tournent pas en douceur, contactez le service client. (L'ensemble de la valve devra être remplacé avant d'utiliser l'appareil.)



2. ALLUMAGE ÉLECTRIQUE ALIMENTÉ PAR BATTERIE

ÉTAPE 01 Insérez une (1) pile AA sous le couvercle de la pile.

Vissez le capuchon en place sur la borne positive.



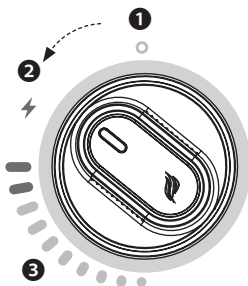
Nettoyez les contacts de la batterie et de l'appareil avant d'installer la batterie.

ÉTAPE 02

❶ Enfoncez le bouton de commande pour faire circuler le gaz.

❷ Tournez le bouton de commande dans le sens inverse des aiguilles d'une montre pour activer le démarreur.

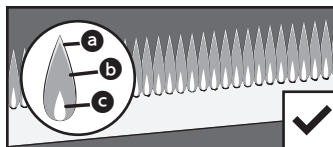
❸ Vérifiez la flamme et ajustez la température au niveau souhaité.



3. VÉRIFIEZ TOUJOURS LA FLAMME DU BRÛLEUR AVANT UTILISATION

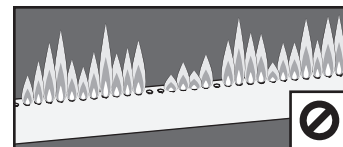
↔ Distance de visualisation : pas plus près de 46 cm (18 po).

FLAMME SAINES



a Scintillements jaunes. b Bleu foncé. c Bleu vif.

JAUNE OU IRRÉGULIÈRE



- Lorsque la température est réglée sur ÉLEVÉE, les flammes doivent être plus grandes que lorsque la température est réglée sur BASSE.
- Si les flammes sont jaunes, irrégulières ou situées à un endroit inattendu, éteignez l'appareil et passez au chapitre Dépannage.

⚠ AVERTISSEMENT

Si le brûleur ne s'allume pas avec la vanne d'alimentation en gaz ouverte, le gaz continuera de s'écouler hors du brûleur et pourrait s'allumer accidentellement/par inadvertance avec risque de blessure.

Si l'allumage ne se produit pas dans les 5 secondes:

1. Éteignez l'appareil.
2. Attendez 5 minutes.
3. Répétez la procédure d'allumage.

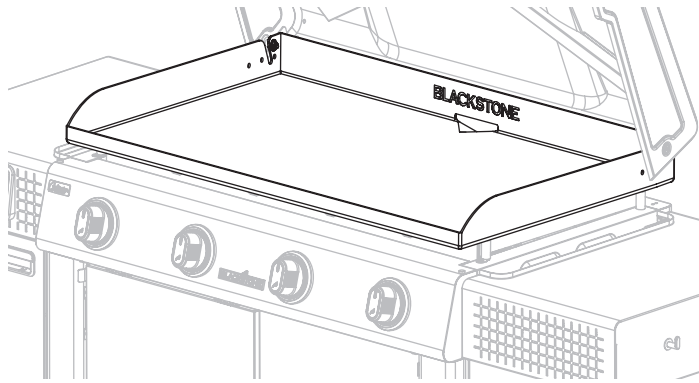
Si le brûleur ne s'allume pas, éteignez l'appareil et passez au chapitre Dépannage.

⚠ ATTENTION

Si votre appareil est équipé d'un capot/couvercle, le laisser fermé avec les brûleurs réglés à basse température pendant plus de 10 minutes peut provoquer une surchauffe et des brûlures. Le capot/couvercle/couvercle DOIT être ouvert lorsque l'appareil est en cours d'utilisation.



COMMENT UTILISER VOTRE PLAQUE CHAUFFANTE



LAVER LE DESSUS DE VOTRE PLANCHA AVANT LA PREMIÈRE UTILISATION

AVIS

Le savon ruinerait une plaque chauffante assaisonnée. C'est la seule fois où vous devez utiliser du savon sur la surface de cuisson de la plaque chauffante.

ÉTAPE 01 Lavez la surface de cuisson de la plaque chauffante avec de l'eau chaude savonneuse.

ÉTAPE 02 Rincez et séchez complètement.

INSTRUCTIONS POUR ASSAISONNER LA PLAQUE CHAUFFANTE



DIDACTICIEL VIDÉO

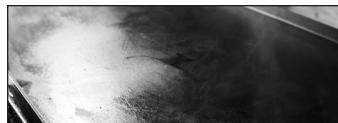
Comment assaisonner une nouvelle plaque chauffante Blackstone

▶ [youtube.com/watch?v=VspmDVnj2pl&t=3s](https://www.youtube.com/watch?v=VspmDVnj2pl&t=3s)

ÉTAPE 01 Essayez tous les débris du dessus de la plaque chauffante.

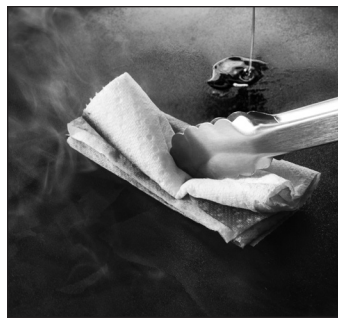


ÉTAPE 02 Réglez votre plaque chauffante à feu vif jusqu'à ce que le dessus de votre plaque chauffante change de couleur. (~10 minutes)

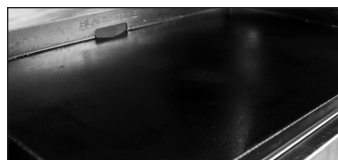


ÉTAPE 03 Utilisez des pinces pour tenir une serviette en papier ou un chiffon en coton et étalez 2 à 3 cuillères à soupe de votre huile d'assaisonnement sur tout le dessus de la plaque chauffante.

Lorsque vous assaisonnez le dessus de votre plaque chauffante, n'oubliez pas d'utiliser une couche d'huile fine et uniforme - plus la couche d'huile est fine, plus il sera facile de la brûler.



ÉTAPE 04 Le dessus de la plaque chauffante est prêt pour une autre couche d'huile lorsqu'il cesse de fumer. Répétez L'ÉTAPE 03 3 à 4 fois ou jusqu'à ce que la surface de la plaque chauffante soit noire.



AVIS

Ne rangez aucun objet à moins de 8 cm (3 po) du dessus de la plaque chauffante pendant son utilisation.

QUELLE HUILE EST PRÉFÉRABLE D'UTILISER?

- Blackstone Seasoning and Cast Iron Conditioner.
- Toute huile de cuisson à base de plantes.
- Graisse animale fondue sans additifs.



⚠ ATTENTION

Jetez correctement les chiffons/serviettes utilisés pour répandre l'huile sur votre plaque chauffante afin d'éviter les incendies qui pourraient survenir en raison d'une combustion spontanée.

Dans de bonnes conditions, l'huile résiduelle sur les chiffons ou les serviettes peut s'oxyder longtemps après avoir été retirée d'une source de chaleur. Le processus d'oxydation lui-même produit de la chaleur qui, si elle n'est pas dissipée, peut s'accumuler et provoquer l'inflammation des chiffons/serviettes et des matériaux environnants.

DÉPANNAGE DE L'ASSAISONNEMENT

Il y a un résidu brunâtre sur la surface de la plaque chauffante:

CAUSES POSSIBLES

- Trop d'huile a été utilisée.
- Vous avez éteint le chauffage trop tôt.

LA SOLUTION

ÉTAPE 01 Allumez votre plaque chauffante à feu vif et laissez-la chauffer pendant 10 à 15 minutes.

ÉTAPE 02 Grattez autant que possible l'huile épaissie et partiellement cuite.

ÉTAPE 03 Réassaisonnez avec une très fine couche d'huile.

Les bords de la surface de la plaque chauffante ne sont pas noirs:

Après avoir utilisé votre plaque chauffante pour plusieurs cuisiniers, l'assaisonnement s'uniformisera et s'améliorera.

PRÉVENTION DE LA ROUILLE

Utilisez fréquemment votre plancha. Chaque fois que vous cuisinez, vous ajoutez de l'assaisonnement, ce qui rend la rouille moins probable.

AVIS

Si vous vivez dans un climat humide ou côtier, votre plancha peut nécessiter des assaisonnements plus fréquents entre les utilisations.

Si de la rouille apparaît sur la surface de la plaque chauffante, frottez-la avec de la laine d'acier, du papier de verre à faible grain ou la **Blackstone Pumice Stone** et ré-assaisonnez la surface.

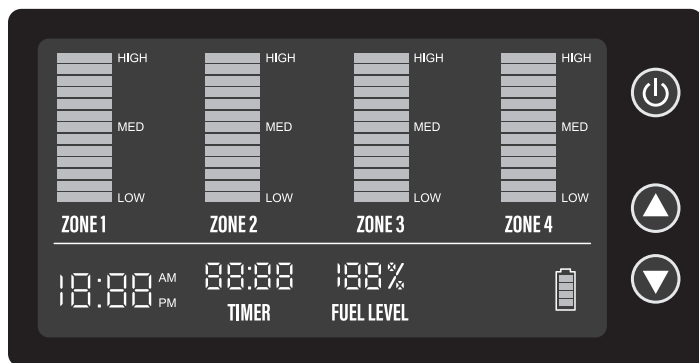


DIDACTICIEL VIDÉO

Récupération de votre plaque chauffante Blackstone
▶ [youtube.com/watch?v=thPE2lgnSil](https://www.youtube.com/watch?v=thPE2lgnSil)



INSTRUCTIONS D’AFFICHAGE NUMÉRIQUE



ALLUMER/ÉTEINDRE L’AFFICHAGE

Appuyez une fois sur pour allumer ou éteindre l’affichage.

ARRÊT AUTOMATIQUE

L’affichage s’éteint après 5 minutes lorsque tous les brûleurs sont éteints (il entrera en mode économie d’énergie après 30 secondes).

RÉGLER LA MINUTERIE

- Appuyez une fois sur : augmentation d’une minute à chaque pression.
- Appuyez et maintenez enfoncé : les minutes augmenteront jusqu’à ce que le bouton soit relâché.
 - Appuyez sur pour diminuer.
 - La durée maximale est de 99 minutes.
- L’affichage clignote lorsque la minuterie est réglée. Le buzzer retentit une fois terminé.

FONCTION DE SOURDINE

Appuyez et maintenez enfoncé pendant 3 secondes (cela deviendra le paramètre par défaut jusqu’à ce qu’il soit modifié manuellement. La minuterie ne sonnera pas.)

RÉGLER L’HORLOGE

ÉTAPE 01 Pour accéder à l’interface de réglage de l’horloge : appuyez et maintenez enfoncés et en même temps pendant 2 secondes.

ÉTAPE 02 Régler l’heure : la valeur de l’heure clignote. Appuyez sur ou . L’heure se règle après 3 secondes sans saisie.

ÉTAPE 03 Régler les minutes : la valeur des minutes clignote. Appuyez sur ou . Les minutes se règlent après 3 secondes sans saisie.

- L’heure sera mémorisée pendant 5 minutes après une panne de courant.
- L’heure par défaut est 12:00 AM.

NIVEAUX DE BATTERIE

5.5V - 6.2V 6.2V - 6.8V 6.8V - 7.5V ≥ 7.5V

BATTERIE FAIBLE

Le cadre clignote et émet un bip toutes les 5 minutes.

TEMPÉRATURES DES ZONES DE CUISSON

LOW ≥ 200°F

LOW - MED = Température indiquée par segments de 40°F.

MED ≥ 440°F

MED - HIGH = Température indiquée par segments de 30°F.

HIGH ≥ 620°F

DÉPANNAGE/CODES D’ERREUR

Err s’affiche au-dessus de l’icône TIMER, le buzzer retentit 5 fois et l’icône associée clignote;

- Erreur du capteur de température : ZONE 1, ZONE 2, ZONE 3, ZONE 4
- Erreur de la balance électronique : FUEL LEVEL

ÉTALONNAGE DE LA BALANCE ÉLECTRONIQUE

Un étalonnage peut être nécessaire si la balance électronique est inexacte, par exemple en cas de vieillissement du capteur, de modifications de la structure mécanique de la balance, etc. Le but de l’étalonnage est d’obtenir la valeur à vide de la balance électronique.

Remarque: assurez-vous qu’il n’y a rien sur la balance électronique lorsque vous effectuez l’étalonnage.

ÉTAPE 01 Assurez-vous que l’écran est allumé.

ÉTAPE 02 Appuyez et maintenez enfoncé et en même temps pendant 1 seconde.

L’étalonnage durera 2 secondes et l’écran affichera **CL** en haut de la zone FUEL LEVEL.



⚠ ATTENTION

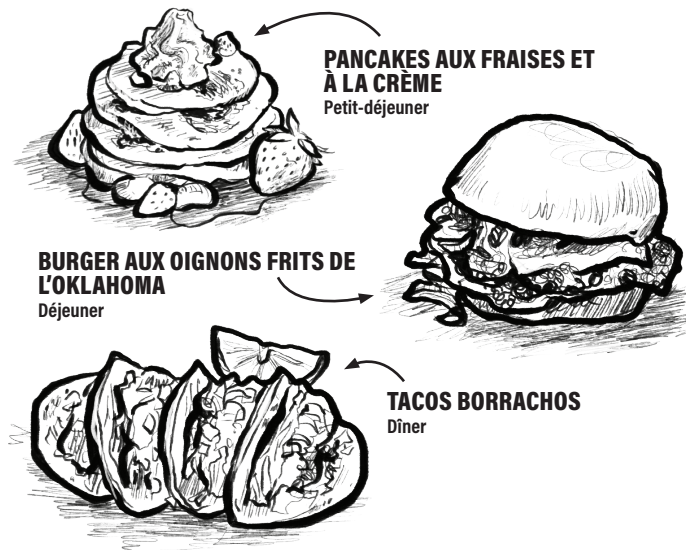
Cet appareil sera chaud pendant et après son utilisation. Utilisez des ustensiles à long manche et des gants de cuisine/de protection lorsque vous manipulez des pièces potentiellement chaudes pour vous protéger contre les brûlures et les éclaboussures.

RECETTES ET CONSEILS DE CUISINE

BlackstoneProducts.com/recipes

youtube.com/BlackstoneGriddles

@blackstoneproducts



NETTOYER VOTRE PLAQUE CHAUFFANTE

Nettoyez le dessus de la plaque chauffante après chaque utilisation, pendant qu'il est encore chaud.

• N'UTILISEZ PAS de savon sur le dessus de la plaque chauffante. Cela détruira l'assaisonnement de la plaque chauffante.



DIDACTICIEL VIDÉO

Comment nettoyer votre plaque chauffante Blackstone
youtube.com/watch?v=-ledu9z6NPY

ÉTAPE 01 Poussez les débris alimentaires dans le bac à graisse avec une spatule ou un **grattoir métallique droit**.



ÉTAPE 02 Essuyez le dessus de la plaque chauffante avec une serviette en papier ou un **tampon à récurer Blackstone**.



ÉTAPE 03 Appliquez quelques cuillères à soupe d'eau sur la surface de la plaque chauffante, puis raclez l'eau et les débris dans le bac à graisse. (Pour les résidus alimentaires collés, utilisez un peu de gros sel.)



ÉTAPE 04 Essuyez à nouveau avec une serviette en papier et séchez complètement.



ÉTAPE 05 Appliquez une fine couche d'huile de cuisson pour maintenir l'assaisonnement et protéger le dessus de la plaque chauffante.



VIDEZ VOTRE GODET À GRAISSE

Le bac à graisse doit être retiré et vidé après chaque utilisation.

Remarque: En vous assurant que votre plaque chauffante est sur un sol plat, la graisse et l'eau s'écouleront vers l'orifice de graissage arrière.

⚠ ATTENTION

Le bac à graisse sera chaud pendant et après l'utilisation. Ne retirez pas le bac à graisse tant que la plaque chauffante n'est pas complètement refroidie.



⚠ AVERTISSEMENT

L'accumulation de graisse peut provoquer un incendie. Nettoyez toute partie de l'appareil qui devient chaude et qui subit une accumulation de graisse après chaque utilisation.

⚠ ATTENTION

Tout le nettoyage et l'entretien doivent être effectués lorsque l'appareil est froid et que tout est éteint.

- N'UTILISEZ PAS de tampon abrasif sur les zones comportant des graphiques.
- Si une brosse à poils est utilisée pour nettoyer l'une des surfaces de cuisson, assurez-vous qu'aucun poil lâche ne reste sur les surfaces de cuisson avant la cuisson.

CORPS DE L'APPAREIL:

Laver à l'eau tiède savonneuse et essuyer immédiatement avec un chiffon non abrasif. (Ne laissez pas les agents de nettoyage reposer sur une surface poreuse pendant une période prolongée.)

AVIS

N'UTILISEZ PAS de Citrisol, de nettoyants abrasifs ou de nettoyant concentré sur l'appareil. Cela peut entraîner des dommages et une défaillance des pièces.

STOCKAGE D'APPAREILS

⚠ AVERTISSEMENT

Ne déplacez pas l'appareil pendant son utilisation. Laissez l'appareil refroidir à 115°F (45°C) avant de le déplacer ou de le ranger.

Couvrez votre appareil lorsque vous le rangez à l'extérieur. Ne le rangez pas dans un endroit où l'eau risque de s'accumuler.

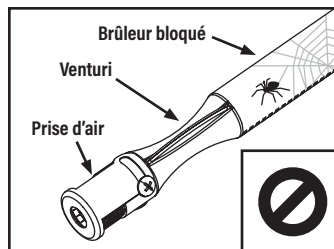


TROUVER MA COUVERTURE
BlackstoneProducts.com

NETTOYAGE DE L'ENSEMBLE BRÛLEUR

Les araignées et les insectes peuvent nicher à l'intérieur et obstruer le brûleur/ tube venturi au niveau de l'orifice.

Pour réduire le risque de retour de flamme, la procédure ci-dessous doit être suivie au moins une fois par mois lorsque les araignées sont les plus actives ou lorsque votre appareil n'a pas été utilisé pendant une période de temps.



⚠ AVERTISSEMENT

Un brûleur obstrué peut provoquer un incendie sous l'appareil.

Le brûleur doit être retiré et nettoyé chaque fois que des blocages sont détectés.



DIDACTICIEL VIDÉO

Comment nettoyer votre tube de brûleur
[youtube.com/watch?v=xKQTCrFCzf8](https://www.youtube.com/watch?v=xKQTCrFCzf8)

ÉTAPE 01 Assurez-vous que le gaz est coupé au niveau des boutons de commande et de l'alimentation en gaz.

- Retirez le dessus de la plaque chauffante.
- Détachez le brûleur.

ÉTAPE 02 Soulevez délicatement le brûleur et éloignez-le de l'orifice de la vanne de gaz.

ÉTAPE 03 Nettoyez l'intérieur du brûleur:

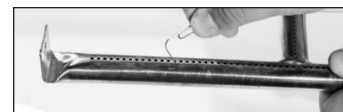
- Passez plusieurs fois une brosse à bouteille étroite dans le brûleur. (NE PAS utiliser de brosses métalliques)
- Utilisez de l'air comprimé pour souffler le brûleur. (Porter des lunettes de protection)



ÉTAPE 04 Brossez toute la surface extérieure du brûleur pour enlever la saleté.

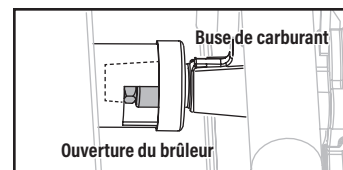


ÉTAPE 05 Nettoyez tous les ports bloqués avec un fil rigide tel qu'un trombone ouvert.



ÉTAPE 06 Remplacez soigneusement les brûleurs et rattachiez-les, en faisant attention à l'emplacement de l'aiguille d'allumage.

⚠ La buse de carburant de la rampe de gaz doit être réengagée dans l'ouverture du brûleur.





DÉPANNAGE

LE BRÛLEUR NE S'ALLUME PAS

Si l'allumage ne se produit pas dans les 5 secondes:

ÉTAPE 01 Éteignez l'appareil.

ÉTAPE 02 Attendez 5 minutes.

ÉTAPE 03 Répétez la procédure d'allumage.

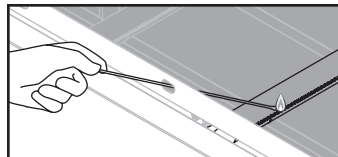
Si cela ne fonctionne pas, essayez d'allumer votre appareil avec une allumette pour déterminer la cause.

INSTRUCTIONS D'ALLUMAGE AVEC UNE ALLUMETTE

Avant de commencer, vérifiez s'il y a des fuites de gaz. Ouvrez le capot (le cas échéant).

ÉTAPE 01 Mettez les commandes sur OFF.

ÉTAPE 02 Allumez une allumette (ou un long briquet) d'une longueur minimale de 28 cm (11 pouces).



ÉTAPE 03 Placez la flamme à côté du brûleur.

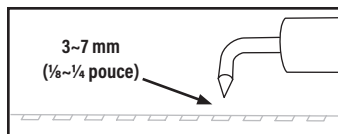
ÉTAPE 04 Mettez les commandes sur ON pour démarrer le débit de gaz. Assurez-vous que le brûleur s'allume et reste allumé.

SI UNE ALLUMETTE NE PEUT PAS ALLUMER VOTRE APPAREIL:

CAUSES POSSIBLES	LA SOLUTION
Le gaz n'atteint pas les brûleurs.	Consultez la section « Le gaz n'atteint pas les brûleurs ».

SI UNE ALLUMETTE PEUT ALLUMER VOTRE APPAREIL:

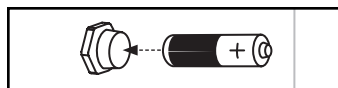
CAUSES POSSIBLES	LA SOLUTION
Le fil d'allumage est mal aligné.	Assurez-vous que l'aiguille de l'allumeur est positionnée à 3 à 7 mm (1/8 à 1/4 po) du brûleur et alignée avec les trous du brûleur.



Domage au système d'allumage. Contactez le service client pour obtenir des pièces de rechange.

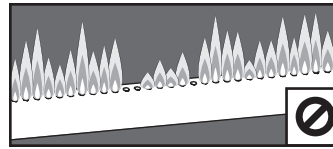
Batterie morte / mal installée. Remplacez par une nouvelle batterie.

Pour le recyclage et l'élimination des piles afin de protéger l'environnement, veuillez consulter Internet ou votre annuaire téléphonique local pour connaître les centres de recyclage locaux et/ou suivre les réglementations gouvernementales locales.



- Assurez-vous que la batterie est installée correctement en ce qui concerne la polarité (+ et -).
- Retirez les piles des équipements qui ne doivent pas être utilisés pendant une période prolongée.
- Retirez rapidement les piles usagées.

LE GAZ N'ATTEINT PAS LES BRÛLEURS LES FLAMMES SONT JAUNES OU IRRÉGULIÈRES



- Les flammes du brûleur sont irrégulières.
- La hauteur de la flamme diminue lorsqu'un deuxième brûleur est allumé.
- L'appareil n'atteint pas une chaleur élevée ou chauffe de manière inégale.

CAUSES POSSIBLES

La bouteille de gaz est vide ou faible. (Non applicable s'il est connecté au gaz naturel)

Le dispositif de limitation de débit du régulateur a été déclenché. (Non applicable pour les appareils qui n'ont pas de régulateur fixé en permanence)

LA SOLUTION

Remplissez ou remplacez la bouteille de gaz.

Réinitialisez le système de sécurité:

ÉTAPE 01 Éteignez l'appareil, fermez le robinet de la bouteille de gaz et débranchez le régulateur de la bouteille de gaz.

ÉTAPE 02 Attendez cinq minutes pour permettre à la pression de se dissiper, puis reconnectez le régulateur à la bouteille de gaz et ouvrez lentement le volant de la bouteille de gaz d'un à trois tours.

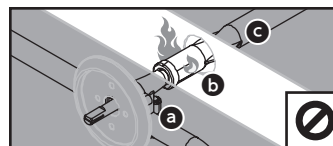
ÉTAPE 03 Allumez votre appareil.

Si cela ne fonctionne pas, le régulateur est peut-être bloqué en position de sécurité. Contactez le service client pour obtenir des pièces de rechange.

Obstructions dans le brûleur.

Nettoyez l'ensemble du brûleur pour éliminer l'obstruction.

FLAMME DANS UN ENDROIT INATTENDU



- a Rampe de gaz et vannes.
- b Porte d'air/admission.
- c Brûleur.

CAUSES POSSIBLES

Quelque chose bloque le venturi dans le brûleur.

LA SOLUTION

Contactez le service client pour éviter d'endommager l'appareil.



SERVICE CLIENT

CONTACTEZ-NOUS

Pour toutes questions, demandes de renseignements ou assistance client, veuillez nous contacter à l'adresse suivante:

ÉTATS-UNIS DES BLACKSTONE PRODUCTS

BlackstoneProducts.com/support

- Veuillez nous contacter avant de retourner cet appareil à votre revendeur.
- Consultez BlackstoneProducts.com pour connaître les horaires et les langues parlées.

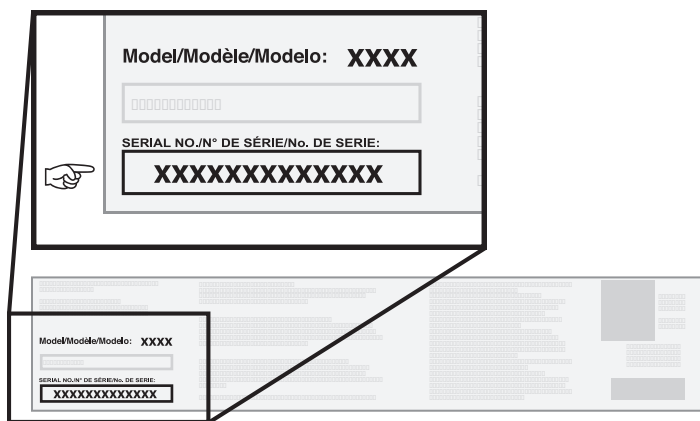
CANADA DES BLACKSTONE PRODUCTS

BlackstoneGriddles.ca

EMPLACEMENT DU NUMÉRO DE SÉRIE

Pour activer votre garantie, vous devrez fournir le numéro de série de votre appareil.

Le numéro de série se trouve sur l'étiquette du fabricant de votre appareil. (L'étiquette du fabricant est un grand autocollant argenté apposé sur le corps de votre appareil.)



**LIVRE DE RECETTES ÉLECTRONIQUE GRATUIT
LORS DE VOTRE INSCRIPTION**

GARANTIE UN AN

North Atlantic Imports, LLC garantit ce produit contre les défauts de matériaux et de fabrication pendant une période d'un (1) an à compter de la date d'achat originale dans des conditions normales d'utilisation. Dans la mesure où de tels défauts se produisent, North Atlantic Imports, LLC, à sa discrétion, fournira gratuitement la ou les pièces de remplacement appropriées.

En aucun cas North Atlantic Imports, LLC ne sera responsable des dommages consécutifs, indirects ou accessoires résultant de l'installation, de l'utilisation ou de la défaillance du produit.

Cette garantie NE couvre PAS:

- Frais d'inspection ou de main d'œuvre pour le remplacement de toute pièce défectueuse;
- Défauts cosmétiques qui n'affectent pas les performances ou l'intégrité du produit;
- L'usure normale;
- Dommages dus au vandalisme ; les catastrophes naturelles, y compris, mais sans s'y limiter, le vent, les tempêtes, la grêle et les inondations;
- Un assemblage, une installation ou une utilisation inappropriés;
- Décoloration ou décoloration de la finition résultant d'une exposition à des produits chimiques, à des déversements, à l'eau de piscine ou à l'eau salée;
- Corrosion/rouille.

Ce produit a été conçu pour la sécurité et la qualité. Toute modification apportée au produit d'origine pourrait compromettre son intégrité structurelle ou sa fonction et entraîner une défaillance du produit ou des blessures. En tant que tel, la modification de ce produit annule toutes les garanties.

Ce produit est destiné à un USAGE RÉSIDENTIEL UNIQUEMENT et n'est pas destiné à des fins commerciales, contractuelles ou autres fins non résidentielles. North Atlantic Imports, LLC décline toute autre représentation et garantie de quelque nature que ce soit, expresse ou implicite.

La garantie s'applique à l'acheteur d'origine et n'est pas transférable. Elle ne s'applique pas aux accessoires ou pièces non fournis avec le produit, aux achats de modèles d'exposition ou aux produits vendus en liquidation ou « tels quels ». Vous pouvez cependant bénéficier d'autres droits légaux spécifiques basés sur les lois de votre état ou pays de résidence.

Pour activer votre garantie, enregistrez votre produit sur BlackstoneProducts.com/register

North Atlantic Imports, LLC se réserve le droit de changer ou de modifier cette garantie à tout moment.

Ce produit peut être couvert par un ou plusieurs brevets américains et/ou internationaux délivrés et peut inclure des demandes de brevet en instance.

Pour plus d'informations, rendez-vous sur: BlackstoneProducts.com/patents
Blackstone est une marque déposée de North Atlantic Imports, LLC

©2025 North Atlantic Imports. Tous droits réservés.

Distribué par North Atlantic Imports, LLC 1073 W 1700 N Logan, UT 84321 USA



Cette page a été intentionnellement laissée vierge





Cette page a été intentionnellement laissée vierge

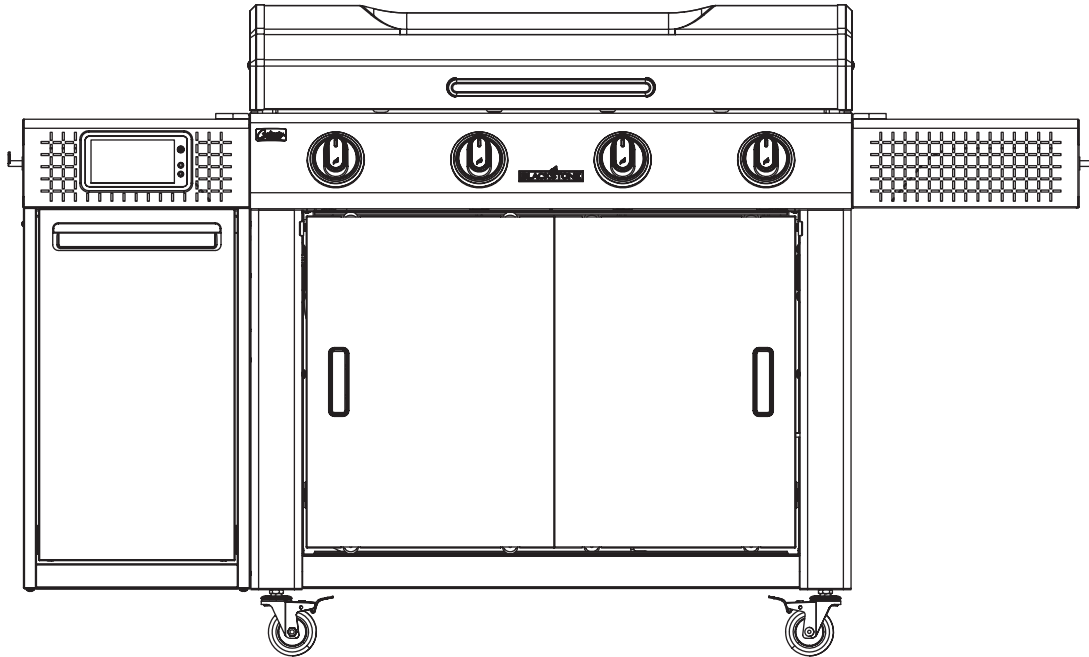




Cette page a été intentionnellement laissée vierge







MANUAL DEL PROPIETARIO

PLANCHA DE 36" CON CAMPANA Y MUEBLE

TABLA DE CONTENIDO

INFORMACION DE SEGURIDAD IMPORTANTE	02
GUÍA DE MONTAJE	04
INSTRUCCIONES DE OPERACIÓN	17
SOLUCIÓN DE PROBLEMAS	23
ATENCIÓN AL CLIENTE	24



Última versión del manual:
BlackstoneProducts.com/support

IMPORTANTE:

Este manual de instrucciones contiene información importante necesaria para el correcto montaje y uso seguro del aparato.

Lea y siga todas las advertencias e instrucciones antes de ensamblar y usar el aparato.

Siga todas las advertencias e instrucciones cuando utilice el aparato.

Guarde este manual para referencia futura.

Instalador/Ensamblador: Deje estas instrucciones con el consumidor.

CLAVE DE ALERTA DE SEGURIDAD

⚠ PELIGRO

Indica una situación peligrosa que, si NO SE evita, provocará la muerte o lesiones graves.

⚠ ADVERTENCIA

Indica una situación peligrosa que, si NO SE evita, podría provocar la muerte o lesiones graves.

⚠ ATENCIÓN

Indica una situación peligrosa que, si NO SE evita, podría provocar lesiones leves o moderadas.

AVISO

Indica información que se considera importante, pero no relacionada con peligros (por ejemplo, mensajes relacionados con daños a la propiedad).

INFORMACION DE SEGURIDAD IMPORTANTE

SEGURIDAD DE LOS APARATOS DE GAS

⚠ PELIGRO

Si huele a gas:

- Cierre el suministro de gas al aparato.
- Apague cualquier llama abierta.
- Abra el capó (si corresponde).
- Si el olor continúa, manténgase alejado del aparato y llame inmediatamente a su proveedor de gas o al departamento de bomberos.

El incumplimiento de estas instrucciones podría provocar incendios o daños a la propiedad, lesiones personales o la muerte.

⚠ ADVERTENCIA

Un cilindro de GLP que no esté conectado para su uso no debe almacenarse cerca de este ni de ningún otro aparato.

Los cilindros de GLP NO SE deben almacenar en ningún compartimento del aparato que no esté destinado a este fin. El almacenamiento no autorizado podría provocar una explosión, un incendio o lesiones personales.

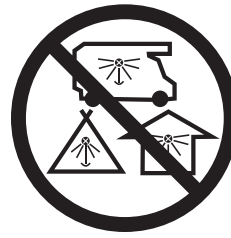
LA INSTALACIÓN DEBE CUMPLIR CON LOS CÓDIGOS LOCALES.

En ausencia de códigos locales, la instalación debe cumplir con ANSI Z223.1/NFPA 54, CSA B149.1 o CSA B149.2.

⚠ PELIGRO

- NUNCA opere este aparato sin supervisión.
- Si ocurriera un incendio, manténgase alejado del aparato y llame inmediatamente a los bomberos. NO INTENTE extinguir un incendio de aceite o grasa con agua.

El incumplimiento de estas instrucciones podría provocar incendios o daños a la propiedad, lesiones personales o la muerte.



⚠ PELIGRO

PELIGRO DE MONÓXIDO DE CARBONO

Este aparato puede producir monóxido de carbono, que es venenoso y no tiene olor.

Usarlo en un espacio cerrado puede matarte.

NUNCA utilice este aparato en un espacio cerrado como una caravana, una tienda de campaña, un automóvil o una casa.

⚠ PELIGRO

PARA TU SEGURIDAD

No almacene ni use gasolina u otros líquidos o vapores inflamables cerca de este o cualquier otro aparato.

Los artículos inflamables pueden arder si se colocan cerca del aparato.

Mantenga el área del electrodoméstico despejada y libre de materiales combustibles, envases de aerosol, gasolina y otros vapores y líquidos inflamables.

⚠ ADVERTENCIA

La instalación, uso, ajuste, alteración, servicio, modificación o mantenimiento inadecuados pueden causar daños a la propiedad, lesiones graves o la muerte. Lea atentamente las instrucciones de instalación, funcionamiento y mantenimiento (consulte este manual) antes de instalar o realizar mantenimiento a este equipo.

- El uso de alcohol, medicamentos recetados o de venta libre puede afectar la capacidad del consumidor para ensamblar correctamente u operar de manera segura el electrodoméstico.
- Mantenga a los niños y las mascotas alejados del aparato en todo momento.
- Tenga a mano un extintor de incendios tipo BC o ABC.
- NO LO USE para fines distintos a los previstos.
- NO UTILICE este aparato como calentador.
- Sólo para uso doméstico en exteriores, no para uso comercial.

NOTA: Este equipo ha sido probado y cumple con los límites para un dispositivo digital Clase B, de conformidad con la parte 15 de las reglas de la FCC. Estos límites están diseñados para proporcionar una protección razonable contra interferencias dañinas en una instalación residencial. Este equipo genera, usa y puede irradiar energía de radiofrecuencia y, si NO SE instala y usa de acuerdo con las instrucciones, puede causar interferencias dañinas en las comunicaciones por radio. Sin embargo, no hay garantía de que NO SE produzcan interferencias en una instalación en particular. Si este equipo causa interferencias dañinas en la recepción de radio o televisión, lo cual se puede determinar apagando y encendiendo el equipo, se recomienda al usuario que intente corregir la interferencia mediante una o más de las siguientes medidas:

- Reorientar o reubicar la antena receptora.
- Aumente la separación entre el equipo y el receptor.
- Conecte el equipo a una toma de corriente de un circuito diferente al que está conectado el receptor.
- Consulte al distribuidor o a un técnico experimentado en radio/TV para obtener ayuda. Radiadores/radio no intencionales.

Receptores: marcas de verificación de la FCC: 47 CFR 15.19 (a)

Los cambios o modificaciones no aprobados expresamente por la parte responsable del cumplimiento podrían anular la autoridad del usuario para operar este dispositivo. Este dispositivo cumple con la parte 15 de las normas de la FCC. Su funcionamiento está sujeto a las dos condiciones siguientes: (1) Este dispositivo no puede causar interferencias perjudiciales, y (2) Este dispositivo debe aceptar cualquier interferencia recibida, incluyendo interferencias que puedan causar un funcionamiento no deseado.

Modelo Nº: 2361

North Atlantic Imports, LLC 1073 W 1700 N Logan, UT 84321 USA
BlackstoneProducts.com



CONFIGURACIÓN DE SU ESPACIO AL AIRE LIBRE

ESTE APARATO SÓLO DEBE UTILIZARSE AL AIRE LIBRE SOBRE UNA SUPERFICIE NIVELADA.

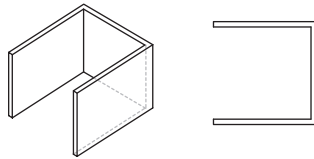
- NO USE este aparato dentro de edificios, garajes o cualquier otra área cerrada.
- NO INSTALE este aparato dentro o sobre un barco.
- NO INSTALE este aparato dentro o sobre un vehículo recreativo.

ÁREAS AL AIRE LIBRE PROTEGIDAS:

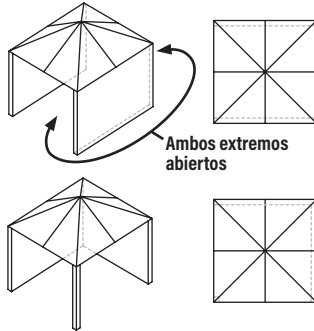
Todas las aberturas deben estar permanentemente abiertas; Las puertas correizas, las puertas de garaje, las ventanas o las aberturas con mosquitero NO SE consideran aberturas permanentes.

Se considera que un electrodoméstico está al aire libre si se instala con una protección que no exceda de:

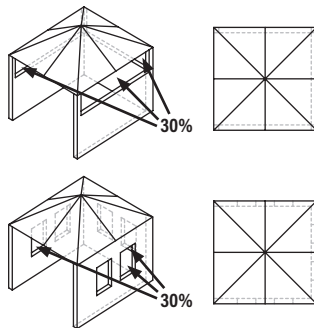
- a. Con paredes en tres lados, pero sin cubierta superior.



- b. Dentro de un recinto parcial que incluye una cubierta superior y no más de dos paredes laterales. Las paredes laterales pueden ser paralelas, como en un corredor, o en ángulo recto entre sí.



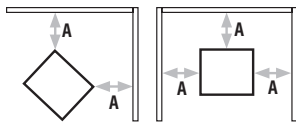
- c. Dentro de un recinto parcial que incluye una cubierta superior y tres paredes laterales, siempre que el 30% o más de la periferia horizontal del recinto esté permanentemente abierta.



La temperatura ambiente mínima de funcionamiento es 0°F (-18°C).

ANTENGA LAS DISTANCIAS ADECUADAS DEL MATERIAL COMBUSTIBLE:

- NO USE este electrodoméstico sobre o debajo de ningún apartamento o balcón o terraza de condominio.
- No obstruya el flujo de aire de combustión y ventilación.



NO OPERE este aparato a menos de 36 pulgadas (1 m) desde los lados y la parte trasera del aparato hasta una construcción combustible.

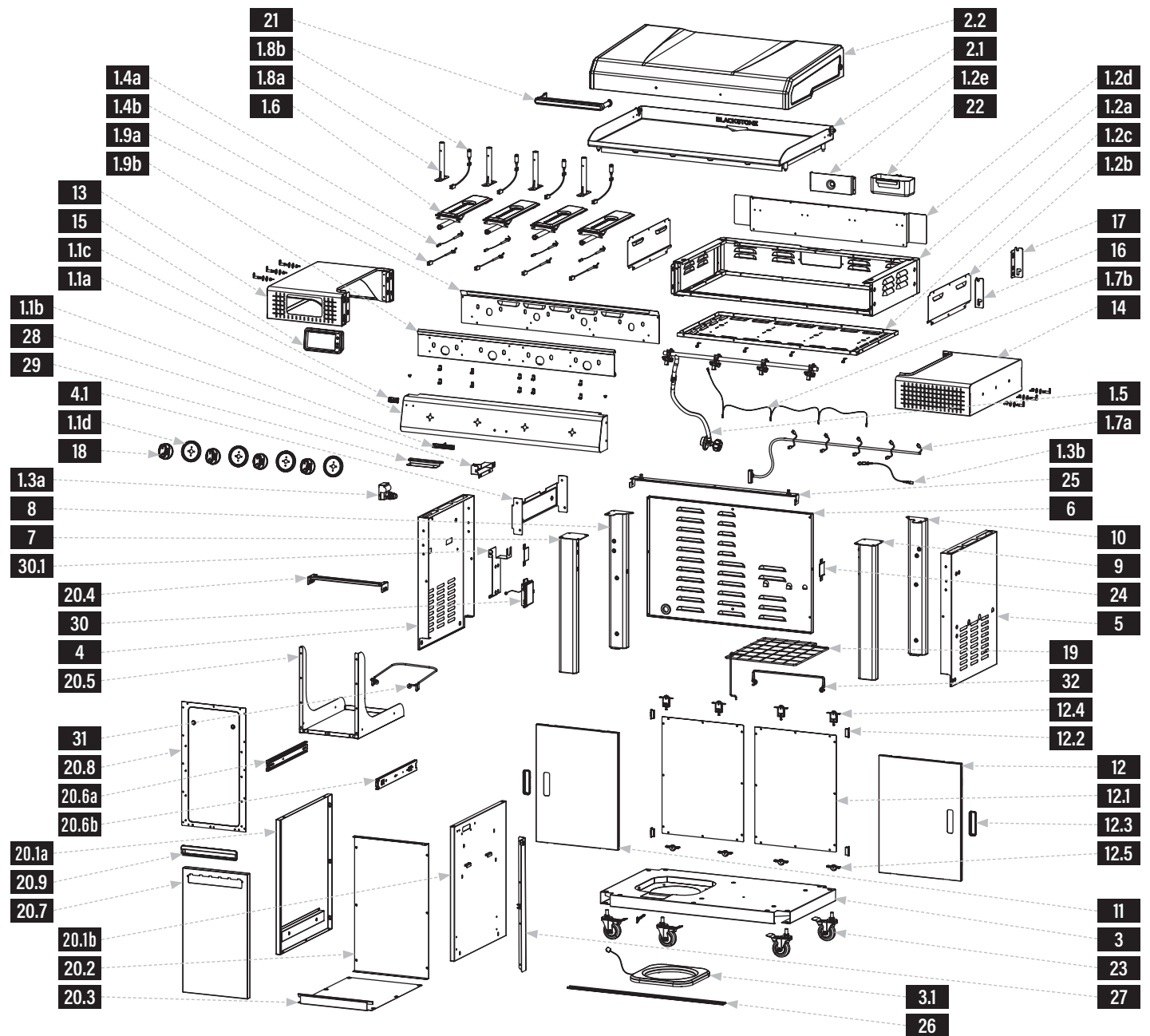
A = 36 pulgadas (1 m)

- NO UTILICE este aparato bajo construcciones combustibles elevadas.



GUÍA DE MONTAJE

VISTA EN DESPIECE ORDENADO



LISTA DE PARTES

PIEZAS	CTD	PIEZAS	CTD	PIEZAS	CTD	PIEZAS	CTD
1.1a	1	1.2c	1	1.4b	4	1.8a	4
1.1b	1	1.2d	1	1.5	1	1.8b	4
1.1c	1	1.2e	1	1.6	4	1.9a	1
1.1d	4	1.3a	1	1.7a	1	1.9b	1
1.2a	1	1.3b	1	1.7b	1	2.1	1
1.2b	2	1.4a	4	3.1	1	2.2	1

ESPAÑOL



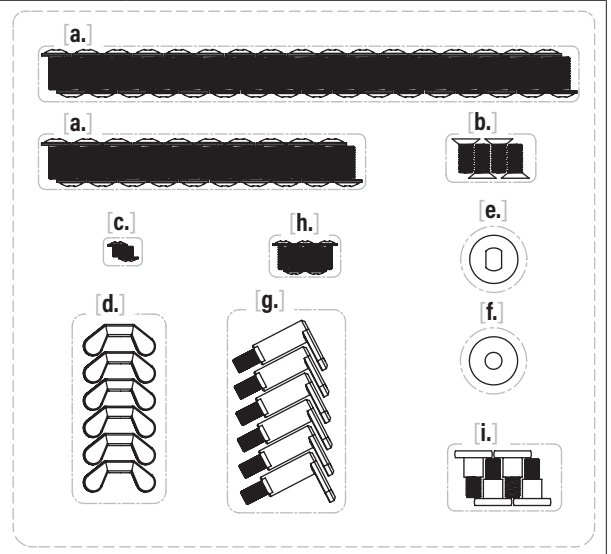


1 Cuerpo de la plancha (1 pieza) 	2 Parte superior y cubierta de la plancha (1 pieza) 	3 Base del carrito (1 pieza) 	4 Panel lateral izquierdo (1 pieza) 	5 Panel lateral derecho (1 pieza) 	6 Panel trasero (1 pieza)
7 Pata delantera izquierda (1 pieza) 	8 Pata trasera izquierda (1 pieza) 	9 Pata delantera derecha (1 pieza) 	10 Pata trasera derecha (1 pieza) 	11 Puerta corredera izquierda (1 pieza) 	12 Puerta corredera derecha (1 pieza)
13 Estante lateral izquierdo (1 pieza) 	14 Estante lateral derecho (1 pieza) 	15 Pantalla digital (1 pieza) 	16 Soporte del estante lateral (L) (1 pieza) 	17 Soporte del estante lateral (R) (1 pieza) 	18 Perillas de control (4 piezas)
19 Estante interior (1 pieza) 	20 Cajón de basura (1 pieza) 	21 Manija de la cubierta (1 pieza) 	22 Depósito de grasa (1 pieza) 	23 Ruedas giratorias (4 piezas) 	24 Topes de puerta (2 piezas)
25 Riel superior de la puerta corredera (1 pieza) 	26 Riel inferior de la puerta corredera (1 pieza) 	27 Canal de alambre (A) (1 pieza) 	28 Canal de alambre (B) (1 pieza) 	29 Canal de alambre (C) (1 pieza) 	30 Caja de batería (1 pieza)
31 Porta bolsas de basura (1 pieza) 	32 Divisor de estantes (1 pieza) 				

PIEZAS	CTD	PIEZAS	CTD	PIEZAS	CTD	PIEZAS	CTD
3.1 Báscula de GLP	1	12.5 Ruedas inferiores de las puertas	4	20.3 Panel inferior del cajón del contenedor	1	20.7 Panel frontal del cajón	1
4.1 Soporte del panel	1	20.1a Panel izquierdo del cajón del contenedor	1	20.4 Soporte superior del cajón del contenedor	1	20.8 Revestimiento del panel del cajón	1
12.1 Revestimientos de las puertas	2	20.1b Panel derecho del cajón del contenedor	1	20.5 Marco de cajón de basura	1	20.9 Manija del cajón	1
12.2 Imanes de las puertas	4	20.2 Panel trasero del cajón del contenedor	1	20.6a Guía del cajón izquierdo	1	30.1 Soporte de montaje para electrónica	1
12.3 Manijas de las puertas	2			20.6b Guía del cajón derecho	1		
12.4 Ruedas superiores de las puertas	4						



- 33** Paquete de hardware (1 pieza)
a. Tornillos M6x14 (34 piezas) (20 piezas)
b. Tornillos de cabeza plana M6x14 (4 piezas)
c. Tornillos M4x4,5 (2 piezas)
d. Tuercas de mariposa (6 piezas)
e. Arandelas ranuradas (6 piezas)
f. Arandelas de acero (6 piezas)
g. Ganchos para estantes (6 piezas)
h. Tornillos M4x10 (5 piezas)
i. Pernos de hombro M6 (4 piezas)



ESPAÑOL

INSTRUCCIONES DE MONTAJE

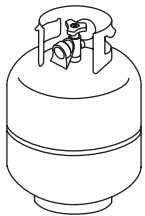
Encuentre un área grande y limpia para ensamblar su electrodoméstico.
 Retire todo el material de embalaje antes de ensamblar. (Es posible que tenga hardware adicional o de repuesto después del ensamblaje.)

⚠ ATENCIÓN

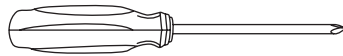
Bordes afilados. Use guantes durante el montaje.

⚠ ATENCIÓN

Piezas pesadas. Dos personas deben armar este aparato.



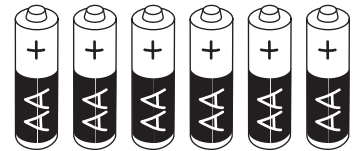
NECESARIO PARA EL USO (NO INCLUIDO):
 Cilindro de GLP de 20 lb (9 kg)



NECESARIO PARA EL MONTAJE (NO INCLUIDO):
 Destornillador de cabeza Phillips n.º 3

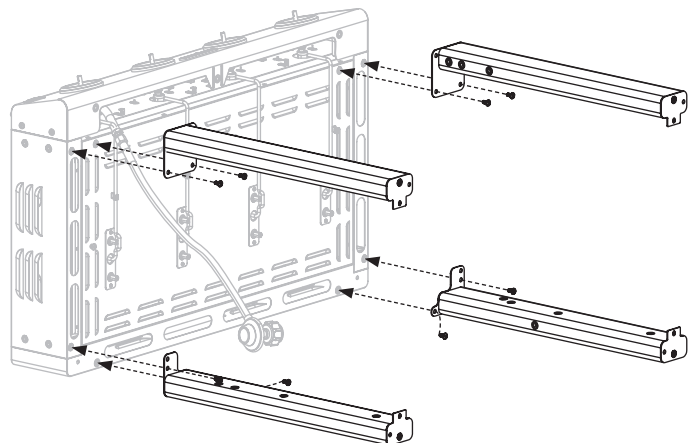


NECESARIO PARA EL USO (NO INCLUIDO):
 Una (1) pila AA (para el encendido)



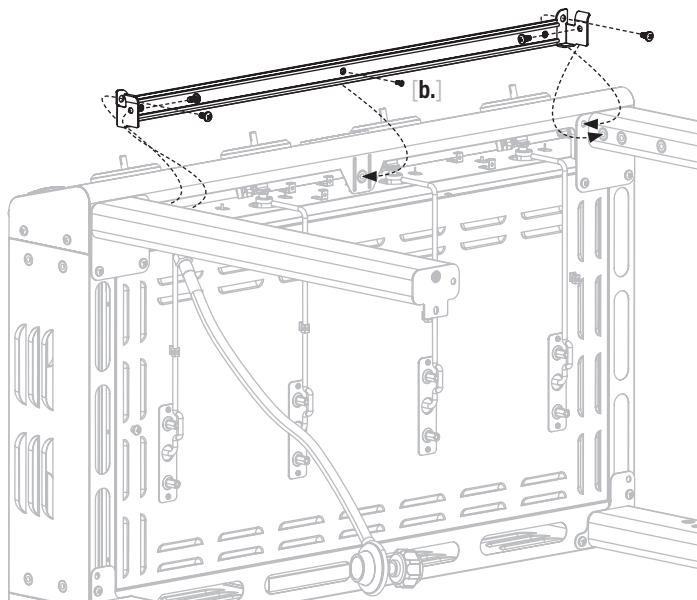
NECESARIO PARA EL USO (NO INCLUIDO):
 Seis (6) pilas AA (para la pantalla digital)

PASO 01 Utilice ocho (8) tornillos M6x14 [a.] para fijar las cuatro (4) patas a la parte inferior del cuerpo de la plancha.

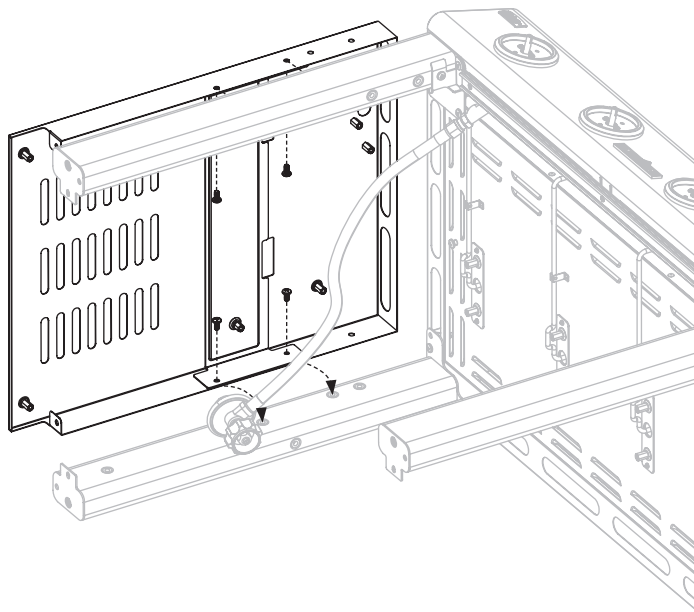




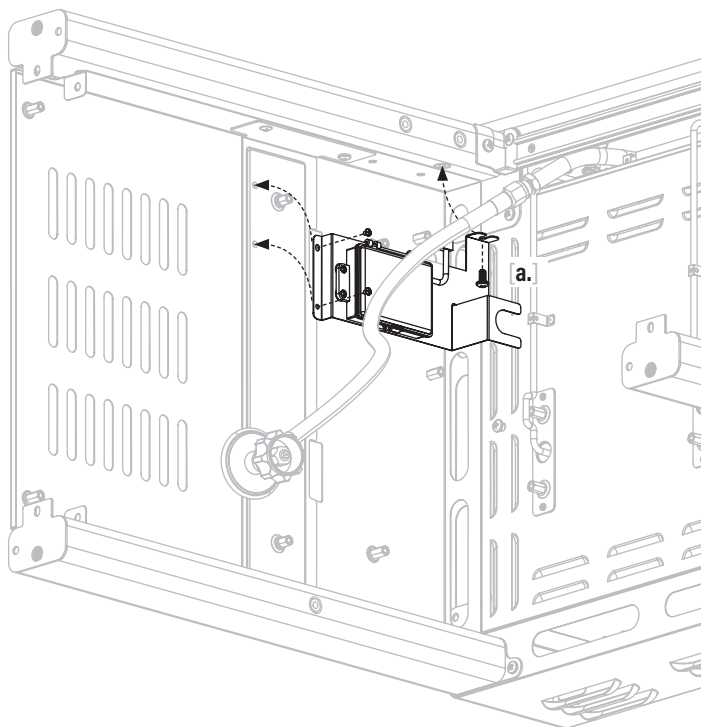
PASO 02 Utilice cuatro (4) tornillos M6x14 [a.] para fijar el riel superior de la puerta corrediza a las patas delanteras. Utilice un (1) tornillo de cabeza plana M6x14 [b.] para fijarlo al panel de control.



PASO 03 Utilice cuatro (4) tornillos M6x14 [a.] para fijar el panel lateral izquierdo a las patas izquierdas.



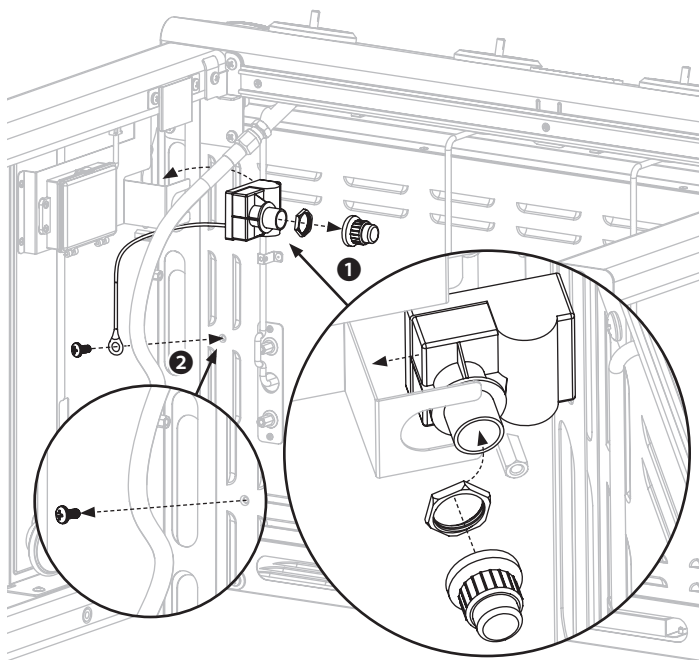
PASO 04 Utilice dos (2) tornillos M4x4,5 [c.] para fijar la caja de la batería al panel lateral izquierdo. Utilice un (1) tornillo M6x14 [a.] para fijarlo a la pata delantera izquierda.



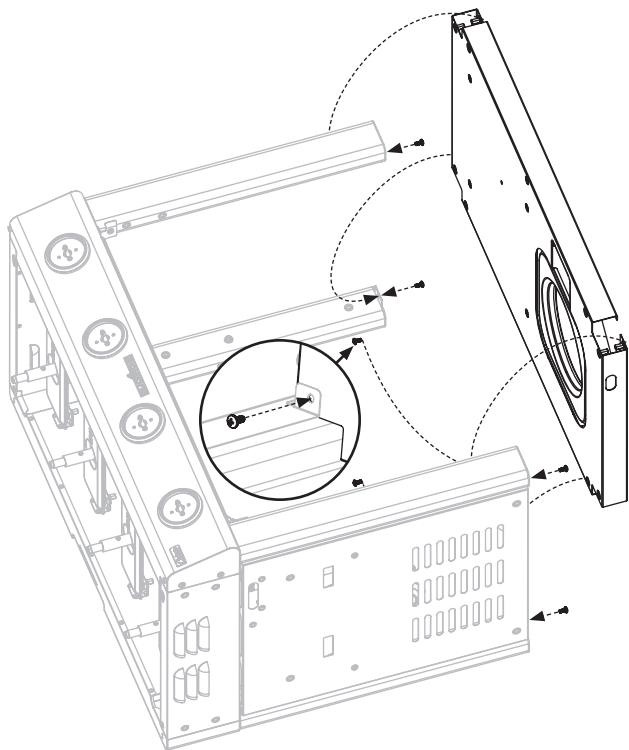
PASO 05 ❶ Desatornille la tapa del encendedor y la tuerca de la caja del encendedor. Deslice el encendedor en el soporte de la caja de la batería. Utilice la tuerca para fijar y volver a colocar la tapa de la batería.

❷ Retire el tornillo de conexión a tierra de la parte inferior del cuerpo de la plancha.

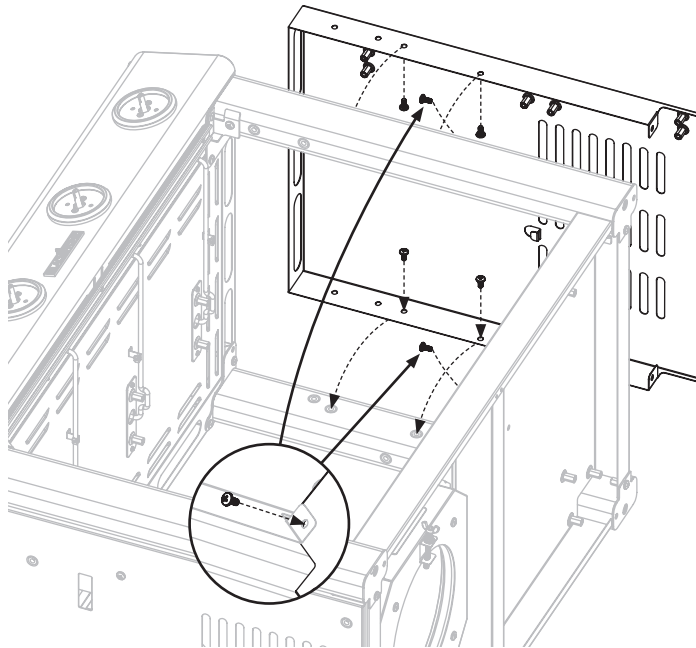
Utilice este tornillo para asegurar firmemente el cable de tierra del encendedor a la parte inferior de la plancha.



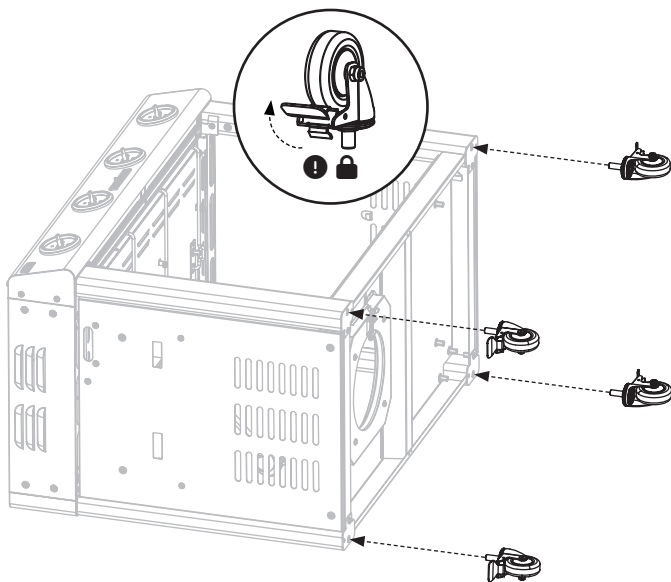
PASO 06 Deslice la base del carrito sobre los soportes de las patas. Use cuatro (4) tornillos M6x14 [a.] para fijar las patas a la base del carrito. Use dos (2) tornillos M6x14 [a.] para asegurar el panel lateral izquierdo a la base del carrito.



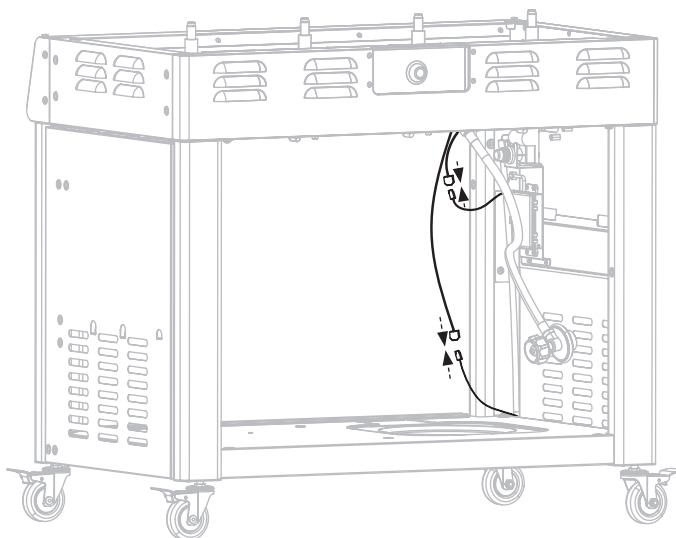
PASO 07 Use cuatro (4) tornillos M6x14 [a.] para fijar el panel lateral derecho a las patas derechas. Use dos (2) tornillos M6x14 [a.] para asegurar el panel lateral derecho a la base del carrito.



PASO 08 Atornille las cuatro (4) ruedas giratorias en las patas. (Asegúrese de que las ruedas estén bloqueadas).

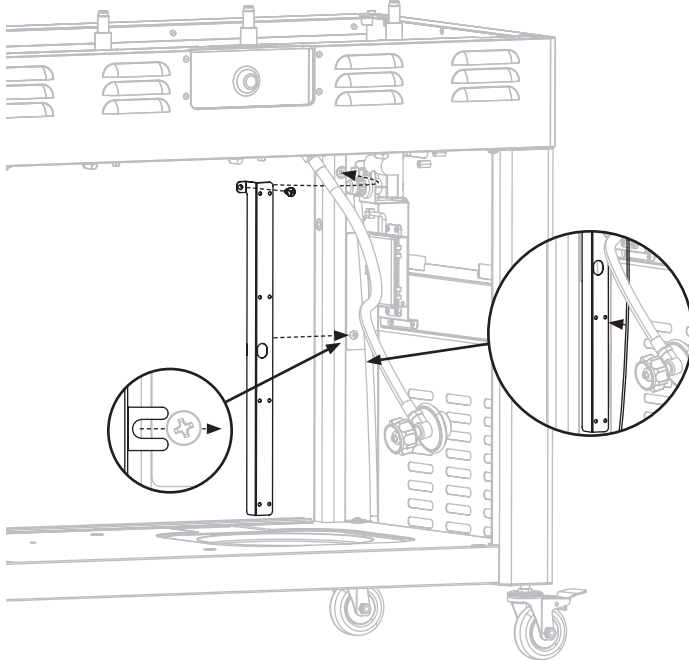


PASO 09 Con la ayuda de otra persona, coloque el carrito sobre sus pies. Conecte el cable de la escala de GLP y el cable de la caja de la batería a los cables.

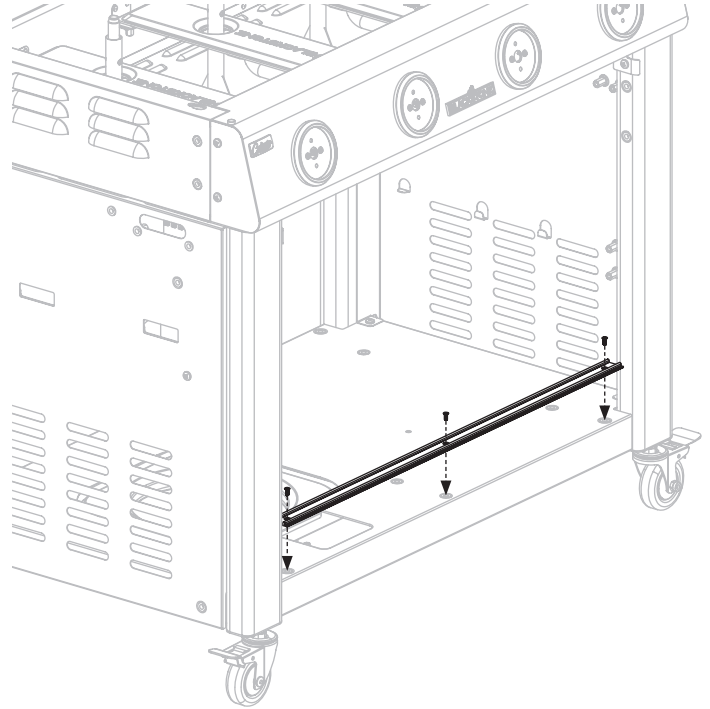




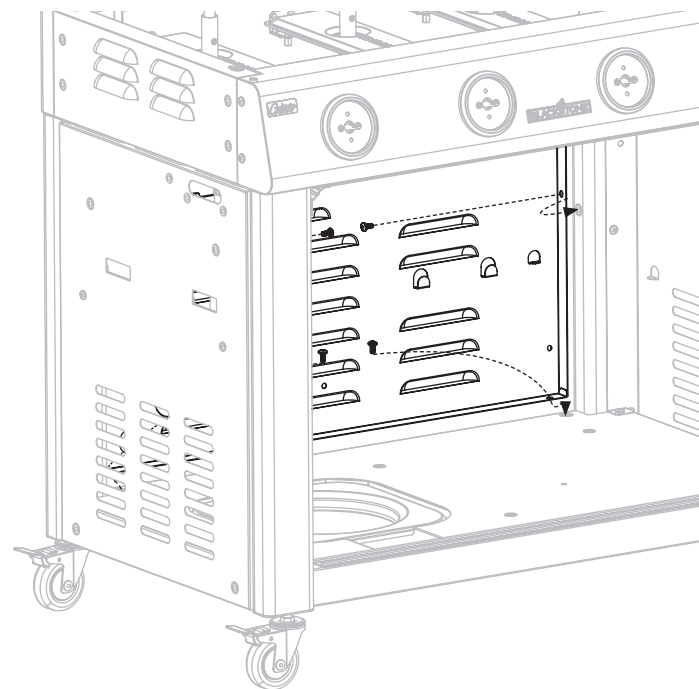
PASO 10. Utilice un (1) tornillo M6x14 [a.] para fijar el canal de cables (A) a la pata delantera izquierda. Deslice las puntas debajo del tornillo del carrito. Introduzca los cables en el canal.



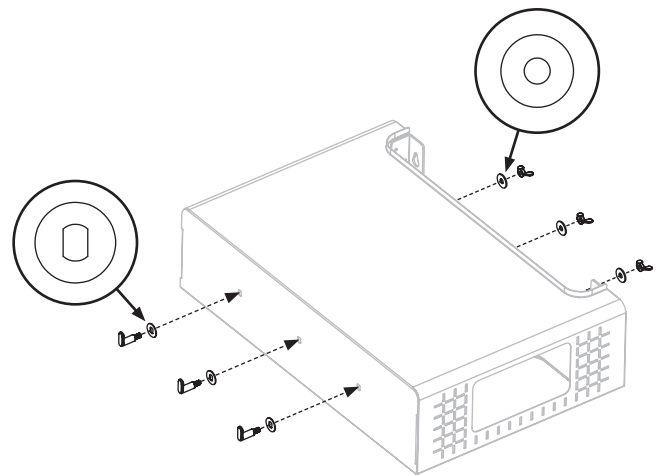
PASO 11. Utilice tres (3) tornillos de cabeza plana M6x14 [b.] para fijar el riel inferior de la puerta corrediza a la base del carrito.



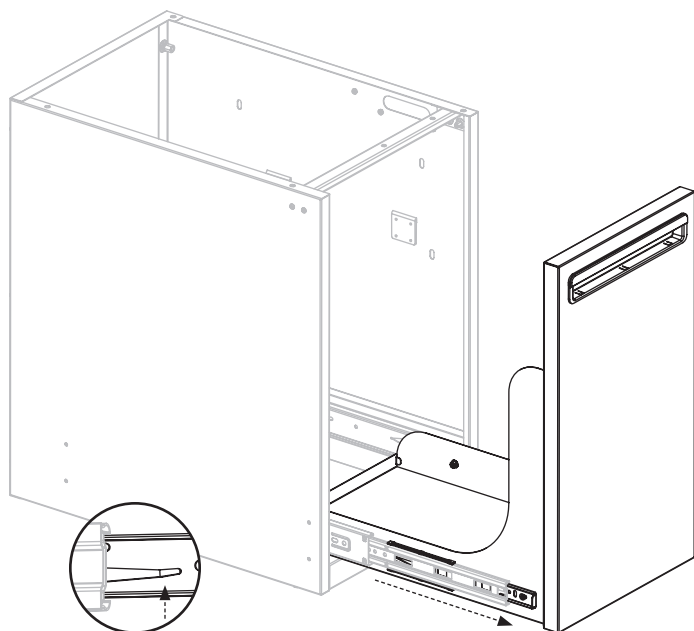
PASO 12. Utilice cuatro (4) tornillos M6x14 [a.] para fijar el panel trasero a las patas traseras y a la base del carrito.



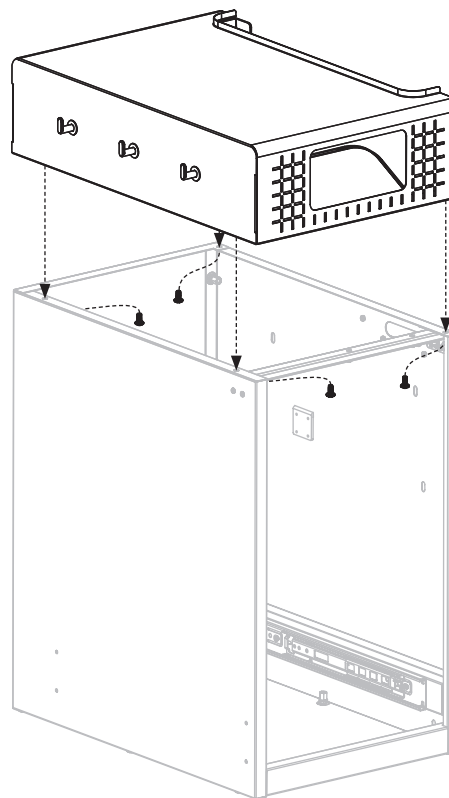
PASO 13. Utilice tres (3) tuercas de mariposa [d.], tres (3) arandelas de acero [f.] y tres (3) arandelas ranuradas [e.] para fijar tres (3) clavijas del estante lateral [g.] al estante del lado izquierdo.



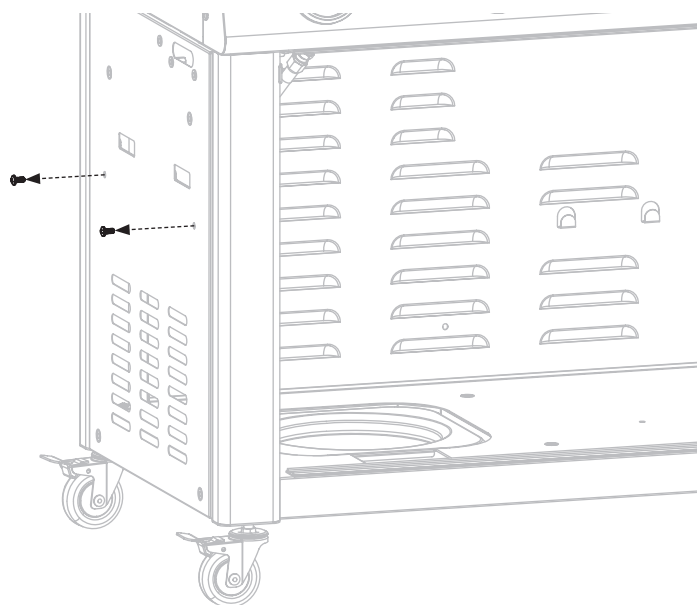
PASO 14 Extraiga los dos (2) rieles deslizantes del cajón de contenedores de los paneles izquierdo y derecho del cajón de contenedores. Presione la pestaña deslizante izquierda hacia arriba y la pestaña deslizante derecha hacia abajo para quitar el cajón interior.



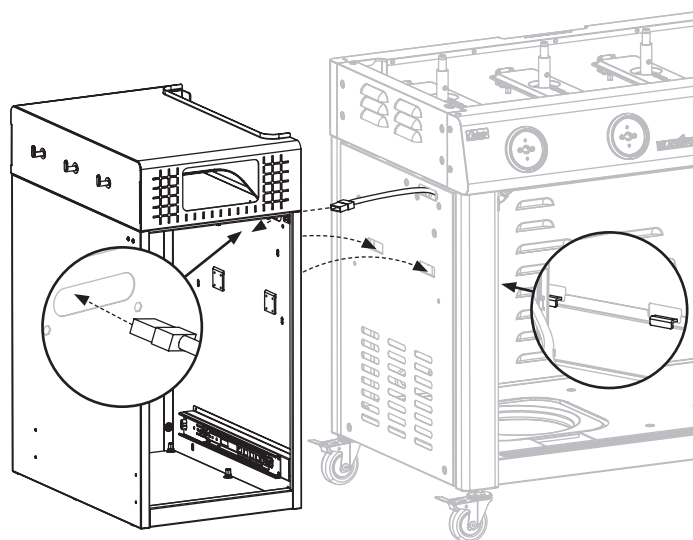
PASO 15 Use cuatro (4) tornillos M6x14 [a.] para fijar el estante lateral izquierdo al cajón de contenedores.



PASO 16 Retire los dos (2) tornillos del panel lateral izquierdo del carrito.

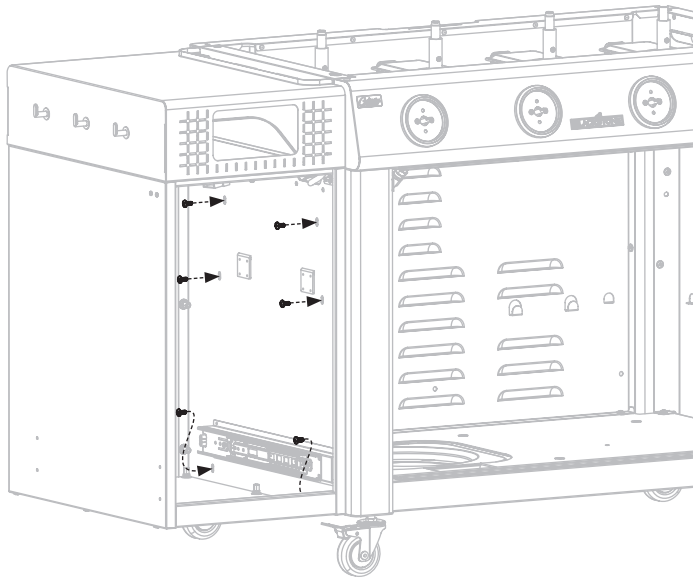


PASO 17 Guíe el cable hacia el orificio del cajón del contenedor. Enganche el cajón de contenedores en las ranuras del panel lateral izquierdo del carrito.

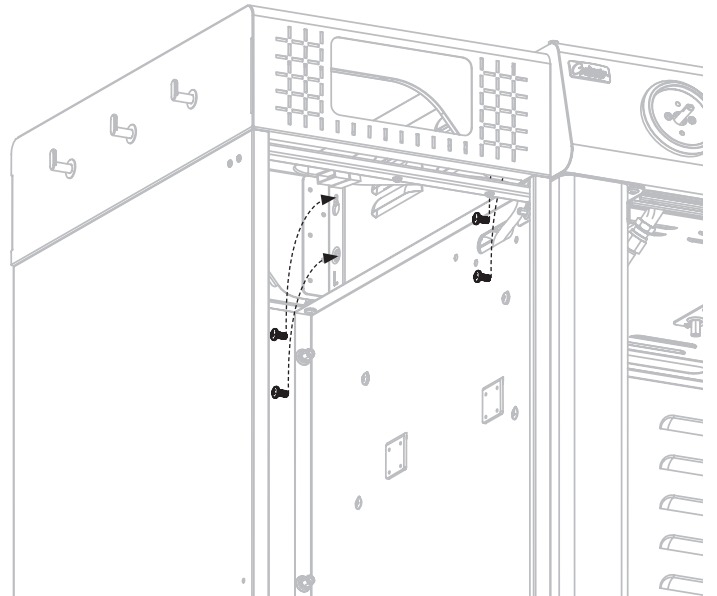




PASO 18. Utilice cuatro (4) tornillos M6x14 [a.] y los dos (2) tornillos quitados anteriormente para asegurar el cajón del contenedor al panel lateral izquierdo del carrito.

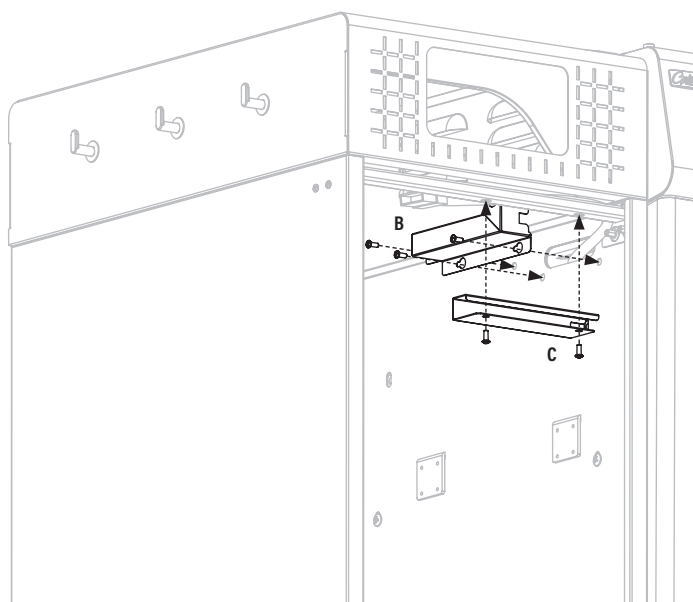


PASO 19. Use cuatro (4) tornillos M6x14 [a.] para asegurar el estante lateral izquierdo al lado izquierdo del cuerpo de la plancha.

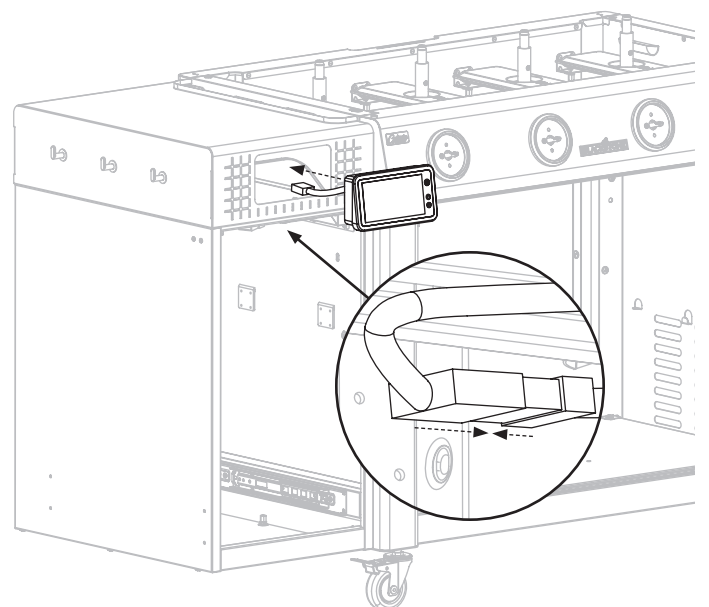


PASO 20. Pase el cable por el canal para cables (B). Use tres (3) tornillos M4x10 [h.] para fijar el canal para cables (B) al panel izquierdo del carrito.

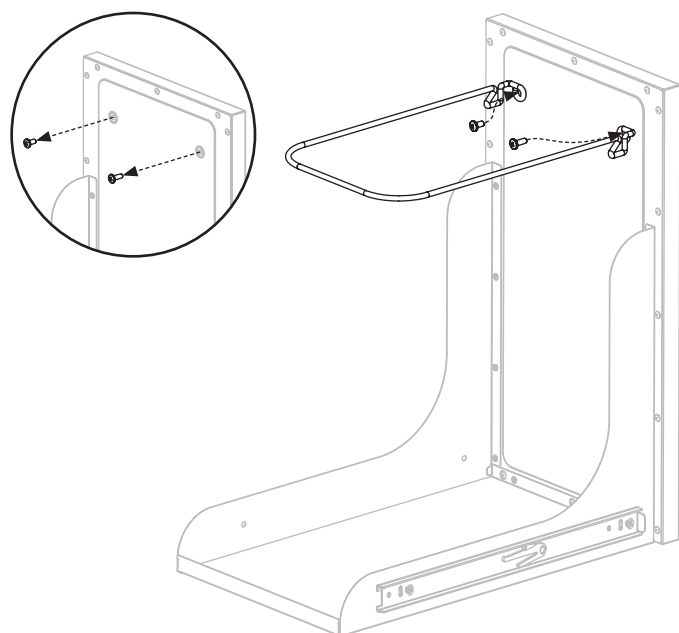
Pase el cable por el canal para cables (C). Use dos (2) tornillos M4x10 [h.] para fijar el canal para cables (C) a la parte superior del cajón del contenedor.



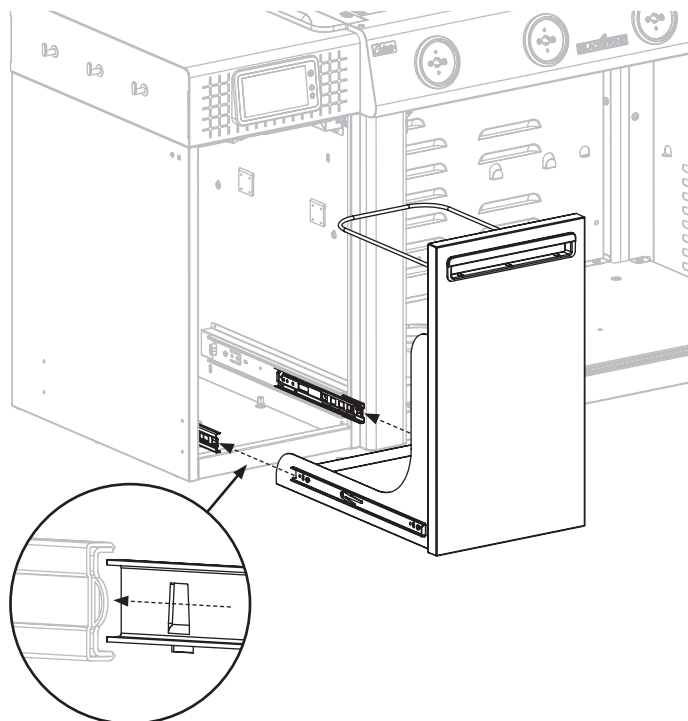
PASO 21. Conecte el cable al cable de la pantalla digital. Presione la pantalla digital para colocarla en su lugar en el estante del lado izquierdo.



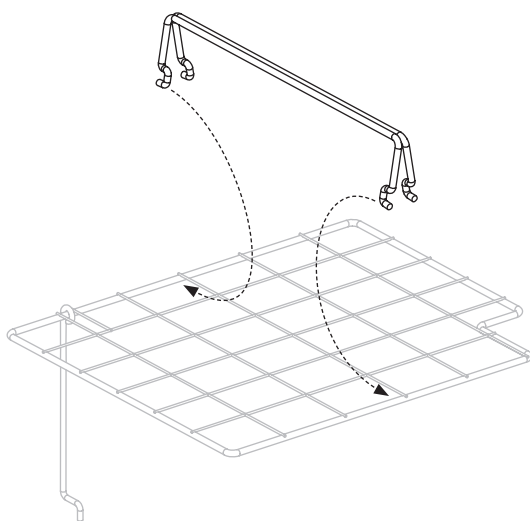
PASO 22 Utilice los dos (2) tornillos preinstalados en el revestimiento del panel del cajón para fijar el soporte de la bolsa de basura al cajón de basura interior.



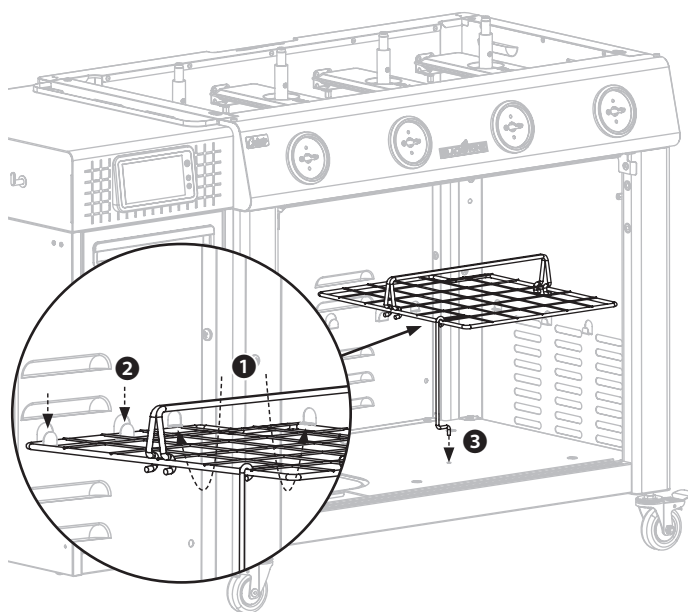
PASO 23 Extraiga los dos (2) rieles deslizantes del cajón de contenedores de los paneles izquierdo y derecho del cajón de contenedores. Inserte los rieles deslizantes del cajón en los rieles del cajón de contenedores.



PASO 24 Coloque las patas divisorias del estante sobre el estante interior.

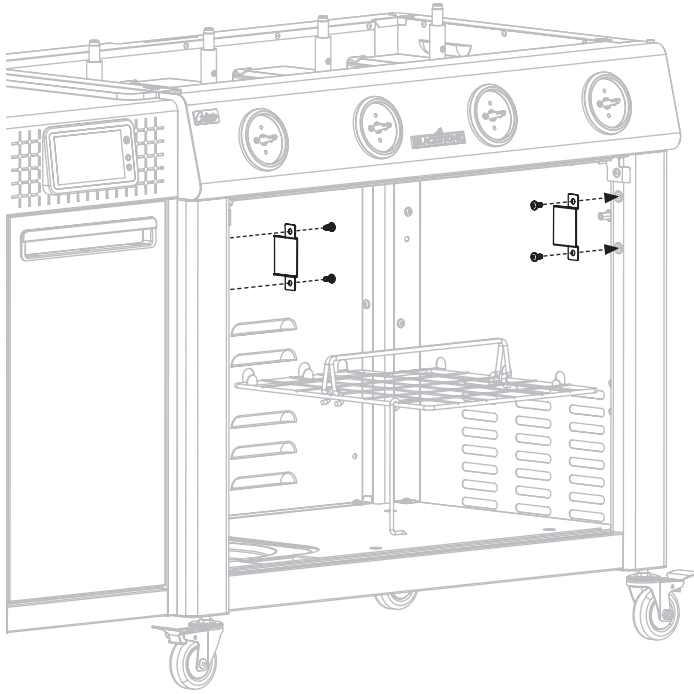


PASO 25 1 Deslice el estante interior debajo de las pestañas del panel.
2 Coloque el estante en los ganchos del panel.
3 Coloque la pata del estante en la base del carrito.



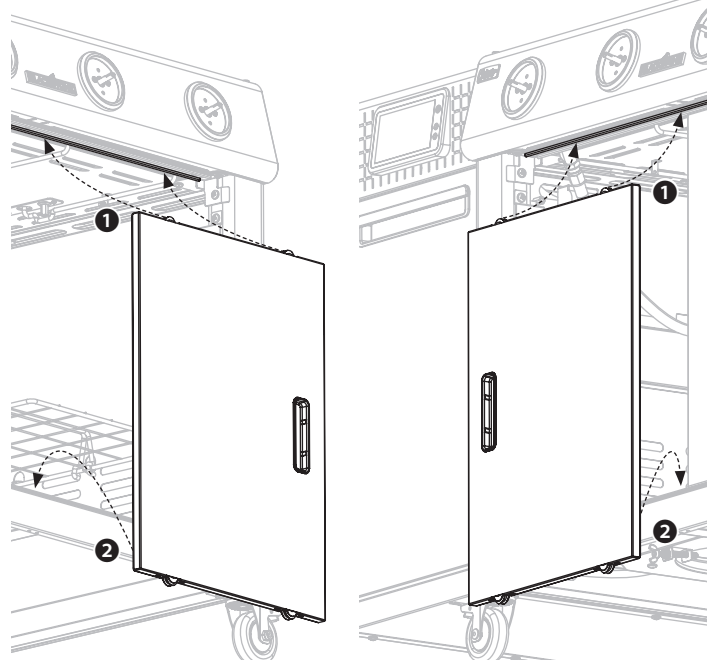


PASO 26 Use cuatro (4) tornillos M6x14 [a.] para fijar los topes de la puerta a las patas delanteras.



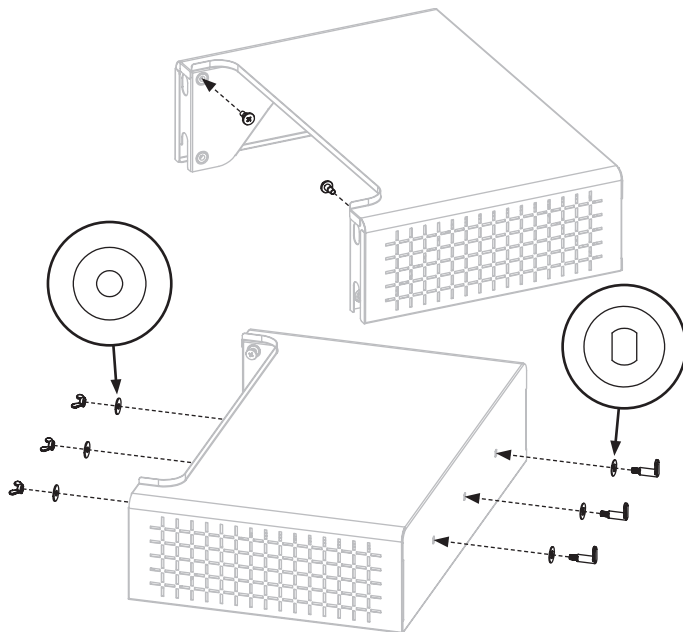
PASO 27 ① Empuje las ruedas superiores de la puerta corrediza izquierda sobre el riel superior trasero. ② Coloque las ruedas inferiores sobre el riel trasero inferior.

① Empuje las ruedas superiores de la puerta corrediza derecha sobre el riel superior delantero. ② Coloque las ruedas inferiores sobre el riel delantero inferior.

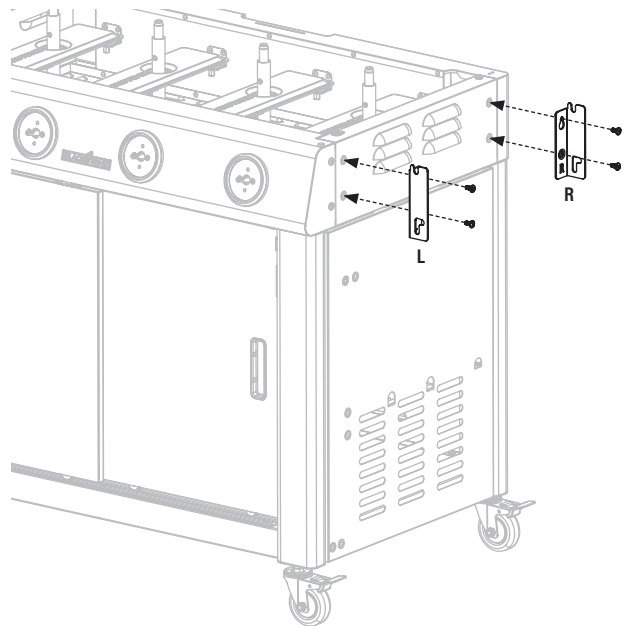


PASO 28 Enrosque dos (2) pernos de hombro M6 [i.] en los orificios superiores del estante lateral derecho.

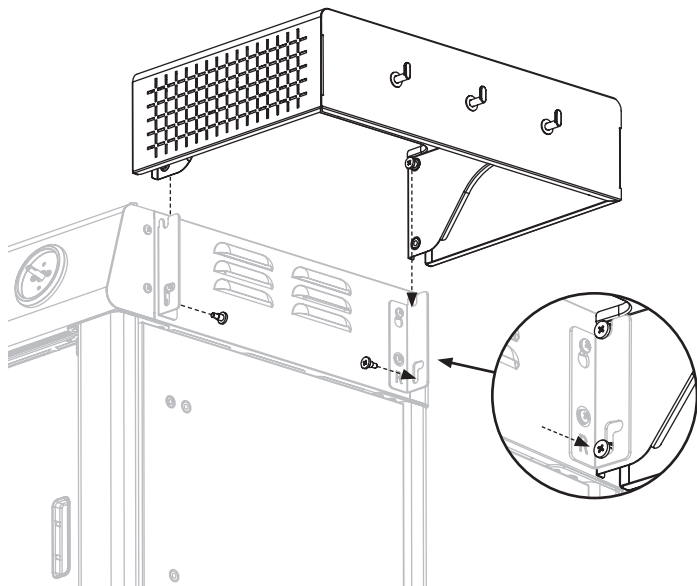
Use tres (3) tuercas de mariposa [d.], tres (3) arandelas de acero [f.] y tres (3) arandelas ranuradas [e.] para fijar tres (3) clavijas del estante lateral [g.] al estante lateral derecho.



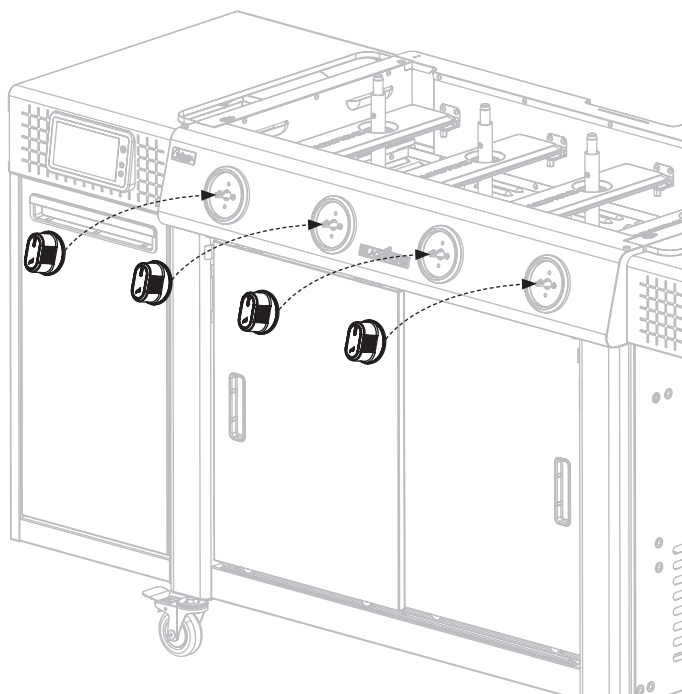
PASO 29 Use cuatro (4) tornillos M6x14 [a.] para fijar el soporte del estante lateral (L) y el soporte del estante lateral (R) al lado derecho del cuerpo de la plancha.



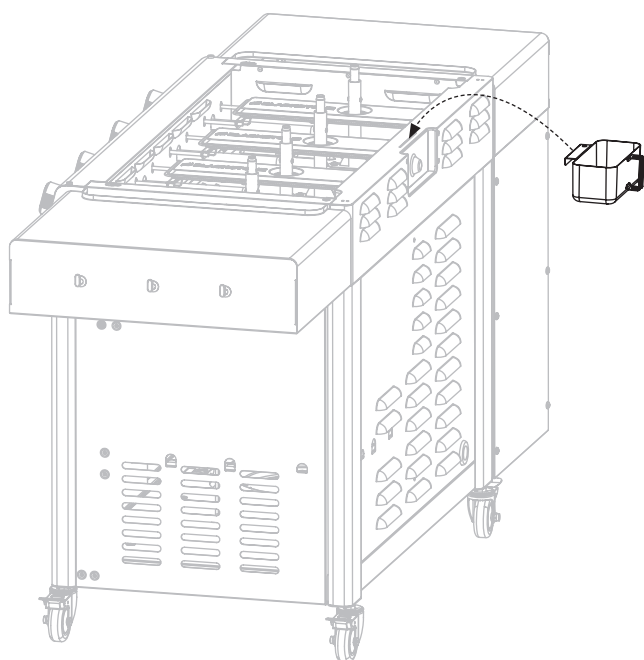
PASO 30 Enganche los pernos de hombro superiores del estante lateral derecho en los soportes del estante lateral. Enrosque dos (2) pernos de hombro M6 [i.] a través de los soportes del estante lateral para asegurar.



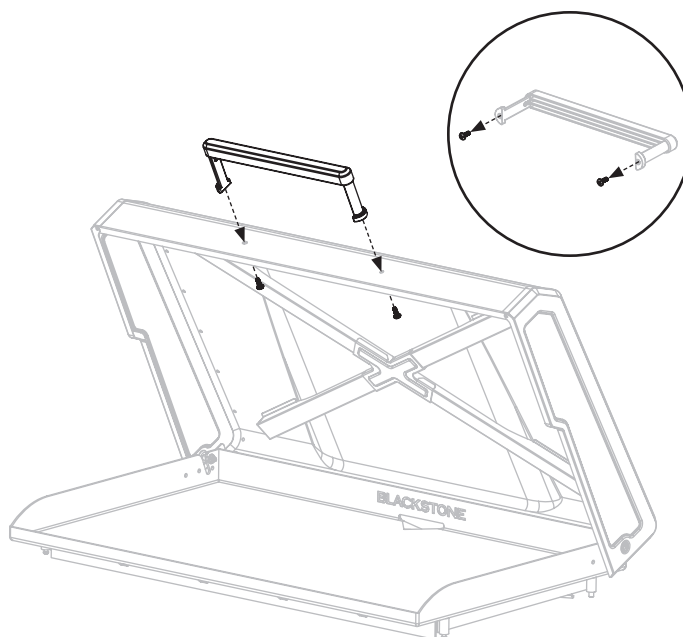
PASO 31 Instale las cuatro (4) perillas de control empujándolas hasta su lugar en los vástagos de la válvula del riel de gas en la posición OFF (APAGADO).



PASO 32 Cuelgue el recipiente para grasa en la ranura en la parte posterior del cuerpo de la plancha.



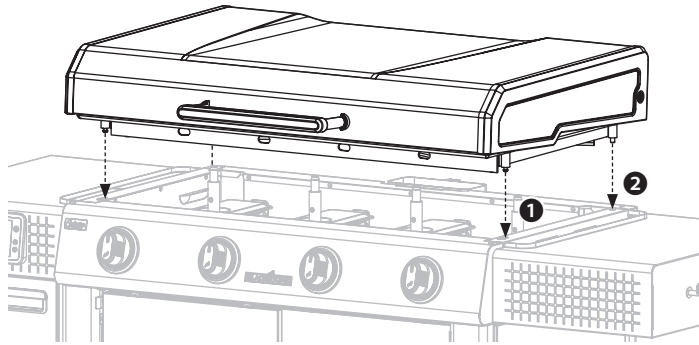
PASO 33 Utilice los dos (2) tornillos preinstalados en la manija de la campana para fijar la manija de la campana a la parte delantera de la misma.



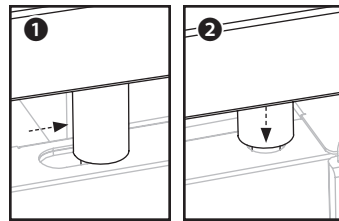


PASO 34 Con la ayuda de otra persona, coloque la parte superior de la plancha y la campana sobre el cuerpo de la plancha alineando los cuatro pasadores con los orificios de la parte superior de la unidad.

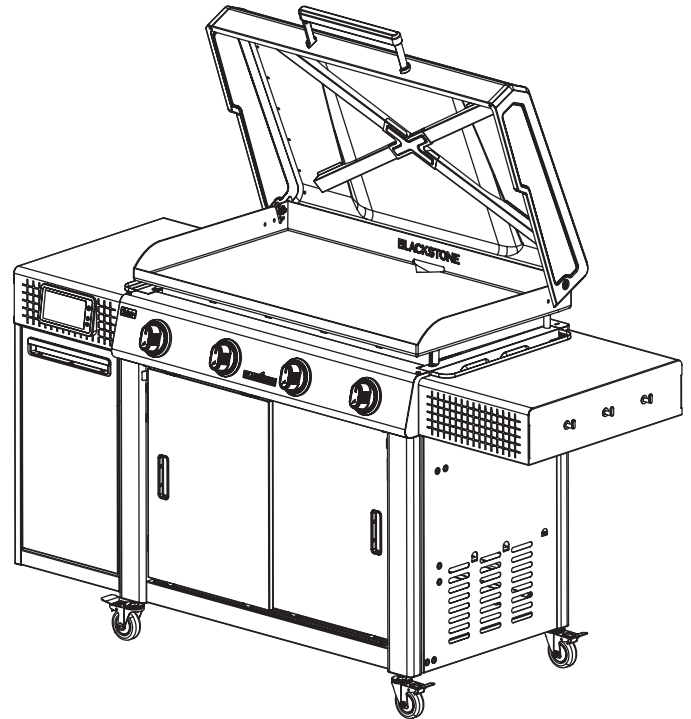
Nota: No permita que la parte superior de la plancha doble los sensores de temperatura salientes (termistores) al deslizar la parte superior de la plancha hacia atrás.



- ❶ Coloque los dos pasadores delanteros en los orificios de bloqueo delanteros y empuje la parte superior de la parrilla hacia atrás.
- ❷ Luego, coloque los dos pasadores traseros en los orificios traseros.



PASO 35 Inserte las seis (6) pilas AA en la caja de pilas. Continúe con las **INSTRUCCIONES DE OPERACIÓN**.

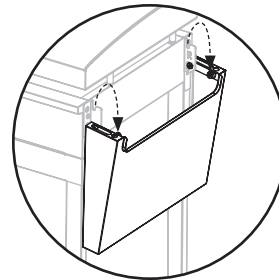


AVISO

- Las baterías no recargables **NO SE** deben recargar.
- No mezcle baterías nuevas y viejas.
- No mezcle baterías alcalinas, estándar (carbono-zinc) o recargables (ni-cad, ni-mh, etc.).
- Las baterías agotadas se deben retirar del producto.

AVISO

- El peso máximo en el estante lateral es de 10 libras (4,5 kg).
- El estante lateral puede calentarse mientras el aparato está en uso.



Levante y pliegue el estante lateral para moverlo o guardarlo, según corresponda.
(El diseño del estante puede variar).



INSTRUCCIONES DE OPERACIÓN

EL SISTEMA GASISTA

ACCESORIOS Y MANGUERAS

Antes de conectar y usar el aparato, asegúrese de que no haya residuos atrapados ni daños en el cabezal del cilindro de gas, el regulador, la manguera, el quemador y los puertos del quemador. (Las mangueras o los reguladores desgastados o dañados deben reemplazarse por un modelo aprobado por Blackstone antes de usar el aparato).

- Se recomienda revisar y ajustar anualmente los accesorios de metal.
- Asegúrese de que la manguera no esté obstruida, doblada o en contacto con ninguna parte del aparato que no sea su conexión.

El sistema de suministro de cilindros de GLP debe estar preparado para la extracción de vapores.

- Mantenga siempre los cilindros nuevos de GLP en posición vertical durante su uso, transporte o almacenamiento.
- Mantenga siempre las aberturas de ventilación del recinto del cilindro libres y libres de residuos.

Si gotea grasa u otro material caliente sobre la válvula, manguera o regulador:

PASO 01 Cierre el suministro de gas inmediatamente.

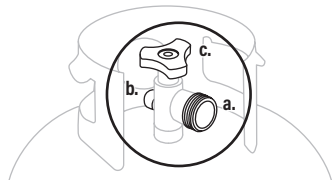
PASO 02 Determine la causa y corríjala.

PASO 03 Limpie e inspeccione la válvula, la manguera y el regulador.

PASO 04 Realice una prueba de fugas.

REQUISITOS PARA LOS CILINDROS DE GLP

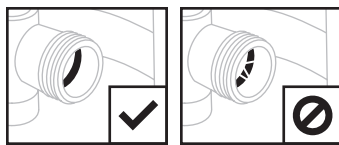
- El cilindro de suministro de gas LP que se utilice debe estar construido y marcado de acuerdo con las Especificaciones para cilindros de gas LP del Departamento de Transporte de los EE. UU. (DOT) o CSA B339, según corresponda.
- Solo se deben utilizar cilindros de GLP marcados como "propano".
- El cilindro de GLP debe incluir un collar para proteger la válvula del cilindro de GLP.
- Utilice solo un cilindro de 20 lb (9 kg). (18 x 12 in (45 x 30 cm))



LA VÁLVULA DEL CILINDRO DE GLP DEBE TENER:

- Salida de válvula tipo 1 (rosca en el exterior).
- Valvula de seguridad.
- Dispositivo de protección contra sobrellenado (OPD) listado por UL. Esta característica de seguridad OPD se identifica por un volante triangular exclusivo.

Cambie el cilindro solo por un cilindro equipado con función de seguridad OPD.



VERIFIQUE EL SELLO ANTES DE USAR

El sello en la salida de la válvula podría, con el tiempo, presentar daños o deterioros marcados y visibles que podrían causar una fuga incluso con la conexión apretada.

- Se debe realizar una inspección visual del sello cada vez que se reemplaza o rellena un cilindro de GLP.
- Cualquier cilindro de GLP que muestre signos de daño o deterioro como los ilustrados, incluidas grietas y picaduras visibles, debe devolverse sin usar al vendedor.

SEGURIDAD DEL REGULADOR

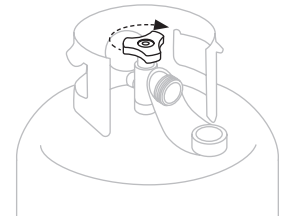
- Utilice este electrodoméstico, tal como lo compró, únicamente con el conjunto de gas y regulador/válvula suministrado. NO UTILICE accesorios de conexión rápida ni otros complementos.
- NO enrosque (fuerce en un ángulo inadecuado) la conexión entre su cilindro de GLP y el regulador.
- Si no puede conectar el regulador, no utilice el regulador.

El regulador debe ser reemplazado por un modelo aprobado por Blackstone por un distribuidor autorizado y con licencia profesional.

CONECTAR EL CILINDRO DE GLP

PASO 01 Gire las perillas de control a APAGADO.

Asegúrese de que el cilindro de GLP esté APAGADO girando el volante en el sentido de las agujas del reloj hasta detenerlo por completo.



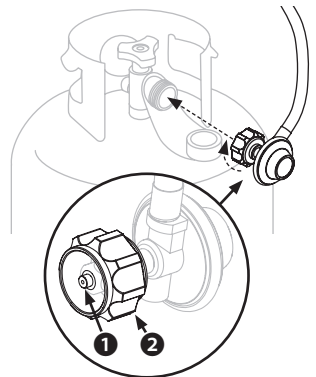
PASO 02 Mantenga el regulador en línea recta con la salida de la válvula para no cruzar la rosca de la conexión.

1 Centre e inserte la boquilla del regulador en la salida de la válvula.

2 Apriete manualmente la tuerca de acoplamiento en el sentido de las agujas del reloj.

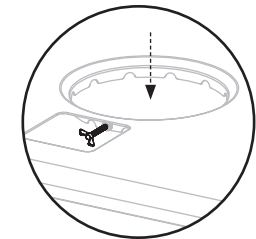
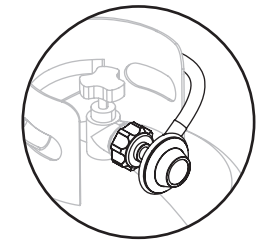
(NO UTILICE herramientas para conectarse).

Si NO SE puede completar la conexión, desconecte el regulador y repita este paso.



PASO 03 La válvula de alivio de seguridad debe mirar en dirección opuesta al usuario mientras el aparato está en uso.

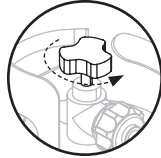
Coloque el cilindro de GLP en la base del carro. Apriete el tornillo de mariposa de la base del carro para asegurarlo al aparato.





CÓMO ABRIR EL GAS:

Gire el volante en sentido antihorario de 1 a 3 vueltas.



INSTRUCCIONES DE PRUEBA DE FUGAS

- Haga una prueba de fugas en los cilindros de GLP nuevos y reemplazados ANTES de conectarlos al electrodoméstico.
- No fume durante la prueba de fugas.
- NO UTILICE una llama abierta para comprobar si hay fugas de gas.
- El aparato debe someterse a una prueba de fugas al aire libre en un área bien ventilada, lejos de fuentes de ignición como aparatos eléctricos o de gas.
- Durante la prueba de fugas, mantenga el aparato alejado de llamas abiertas o chispas.

PASO 01 Cierre el suministro de gas en la válvula del cilindro de gas. Asegúrese de que los controles estén APAGADOS.

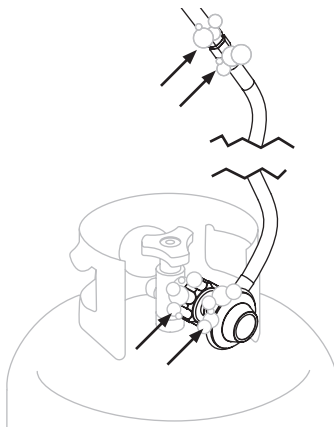
Conecte el regulador al cilindro de GLP y abra el gas.

Si escucha un sonido rápido, cierre el gas inmediatamente. Hay una fuga importante en la conexión.

PASO 02 Prepare una solución de detección de fugas mezclando 15 ml (una cucharada) de jabón para manos o lavavajillas con 60 ml (¼ de taza) de agua.

PASO 03 Use un pincel limpio para aplicar la solución de detección de fugas en las áreas de unión de las válvulas y el regulador.

PASO 04 Si se detectan fugas (indicadas por el crecimiento de burbujas), cierre inmediatamente el gas y vuelva a apretar las conexiones.



⚠ ADVERTENCIA

Si NO SE pueden detener las fugas, NO INTENTE repararlas. El regulador debe ser reemplazado por un modelo aprobado por Blackstone por un distribuidor autorizado y con licencia profesional.

⚠ ADVERTENCIA

Un regulador helado indica un problema. Cierre inmediatamente la válvula del cilindro de GLP y llame al distribuidor local de GLP para obtener ayuda.

ALMACENAMIENTO DE CILINDROS DE GLP

⚠ ADVERTENCIA

- No guarde un cilindro de GLP de repuesto debajo, cerca o dentro de este aparato.
- No llene un cilindro de GLP más del 80% de su capacidad. Si NO SE sigue exactamente la información anterior, puede producirse un incendio que cause la muerte o lesiones graves.

- El cilindro de GLP debe estar APAGADO cuando el aparato no esté en uso.
- Los cilindros de GLP deben almacenarse al aire libre y fuera del alcance de los niños.
- No almacene un cilindro de GLP dentro de un edificio, garaje o en cualquier otro área cerrada.
- No almacene un cilindro de GLP donde las temperaturas puedan alcanzar más de 122°F (50°C).

DESCONEXIÓN DEL CILINDRO DE GLP

El almacenamiento del aparato en interiores solo está permitido si el cilindro de GLP está desconectado y retirado del aparato.

PASO 01 Asegúrese de que los controles del aparato estén apagados.

PASO 02 Asegúrese de que el cilindro de GLP esté APAGADO girando el volante en el sentido de las agujas del reloj hasta detenerlo por completo.

PASO 03 Gire la tuerca de acoplamiento con la mano en el sentido contrario a las agujas del reloj para quitar el regulador. (NO UTILICE herramientas para desconectar).

Coloque la tapa antipolvo en la salida de la válvula del cilindro cuando el cilindro no esté en uso. Instale únicamente el tipo de tapa antipolvo en la salida de la válvula del cilindro que se proporciona con la válvula del cilindro. Otros tipos de tapas o taponeros pueden provocar fugas de propano.

OBTENCIÓN Y LLENADO DEL CILINDRO DE GAS

- Utilice únicamente empresas de confianza que inspeccionen, llenen con precisión, prueben y certifiquen sus cilindros. El distribuidor de GLP debe purgar el cilindro nuevo antes de llenarlo.
- Para quitar el gas del cilindro de GLP, comuníquese con un distribuidor de GLP certificado o con el departamento de bomberos local para obtener ayuda.
- No libere gas licuado de petróleo (GLP) a la atmósfera.
- El llenado se debe realizar lejos de cualquier fuente de ignición.
- Su distribuidor puede ayudarlo a encontrar un cilindro de GLP de repuesto para su electrodoméstico.
- El volumen de propano en el cilindro variará según la temperatura.

ESPAÑOL



INSTRUCCIONES DE ENCENDIDO

1. VÁLVULAS DE RETENCIÓN

⚠ Asegúrese de que el gas esté APAGADO antes de verificar las válvulas del aparato. Conecte/encienda el gas después de verificar las válvulas.

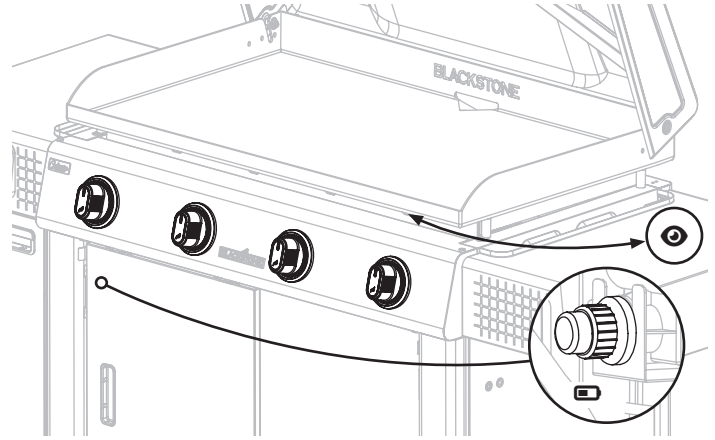
Abra la tapa/capó antes de encender el aparato, según corresponda.

PASO 01 Gire todas las perillas de control a la posición de apagado **1**.

PASO 02 Presione las perillas de control y suéltelas.

PASO 03 Gire las perillas de control a la posición BAJA y luego gírelas nuevamente a la posición APAGADA.

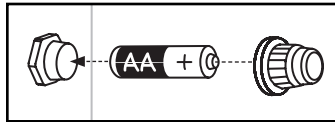
Si las perillas de control no vuelven a su posición original o no giran con suavidad, comuníquese con el servicio de atención al cliente. (Será necesario reemplazar el conjunto de la válvula antes de usar el aparato).



2. ENCENDIDO ELÉCTRICO CON BATERÍA

PASO 01 Inserte una (1) batería AA debajo de la tapa de la batería.

Atornille la tapa en su lugar sobre el terminal positivo.



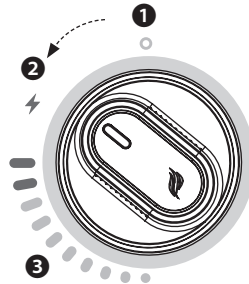
Limpie los contactos de la batería y del aparato antes de instalar la batería.

PASO 02

1 Empuje la perilla de control hacia adentro para comenzar a fluir el gas.

2 Gire la perilla de control en el sentido contrario a las agujas del reloj para activar el motor de arranque.

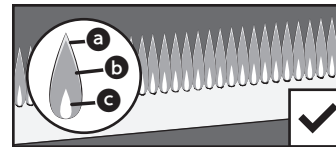
3 Verifique la llama y ajuste la temperatura al nivel deseado.



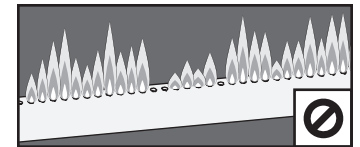
3. SIEMPRE VERIFIQUE LA LLAMA DEL QUEMADOR ANTES DE USAR

← Distancia de visualización: no más cerca de 18 in (46 cm).

PATRÓN DE LLAMA SALUDABLE



AMARILLO O IRREGULAR



a Parpadeos de color amarillo. **b** Azul oscuro. **c** Azul vibrante.

- Cuando la temperatura está configurada en ALTA, las llamas deben ser más grandes que cuando la temperatura está configurada en BAJA.
- Si las llamas son amarillas, irregulares o están en una ubicación inesperada, apague el aparato y consulte el capítulo de Solución de problemas.

⚠ ADVERTENCIA

Si el quemador NO SE enciende con la válvula de suministro de gas abierta, el gas seguirá saliendo del quemador y podría encenderse accidentalmente/inadvertidamente con riesgo de lesiones.

Si NO SE produce el encendido en 5 segundos:

1. Apague el aparato.
2. Espere 5 minutos.
3. Repita el procedimiento de encendido.

Si el quemador NO SE enciende, apague el aparato y consulte el capítulo de Solución de problemas.

⚠ ATENCIÓN

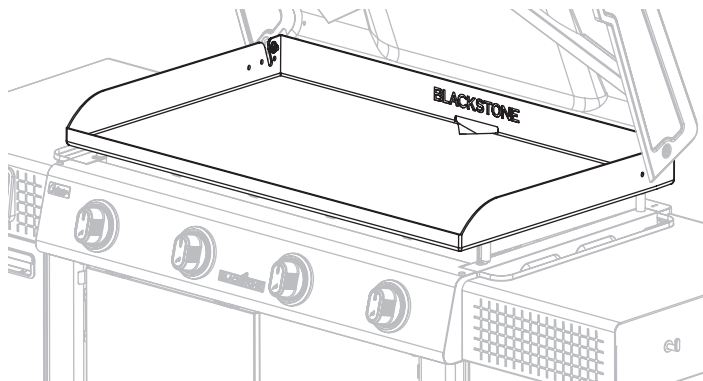
Si su aparato tiene una cubierta/tapa, dejarla cerrada con los quemadores a temperatura baja durante más de 10 minutos puede provocar un sobrecalentamiento y quemaduras. La cubierta/tapa/cubierta DEBE estar abierta cuando el aparato esté en uso.

ESPAÑOL





CÓMO UTILIZAR LA PLANCHA



LAVADO DE LA PARTE SUPERIOR DE LA PLANCHA ANTES DEL PRIMER USO

AVISO
El jabón arruinará una plancha experimentada. Esta es la única vez que debe usar jabón en la superficie de cocción de la plancha.

PASO 01 Lave la superficie de cocción de la plancha con agua caliente y jabón.

PASO 02 Enjuague y seque completamente.

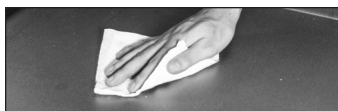
INSTRUCCIONES PARA CONDIMENTAR LA PLANCHA



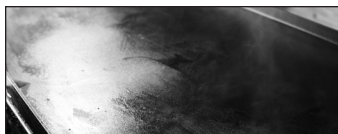
VIDEOTUTORIAL

Cómo sazonar una nueva plancha Blackstone
[youtube.com/watch?v=VspmDVnj2pl&t=3s](https://www.youtube.com/watch?v=VspmDVnj2pl&t=3s)

PASO 01 Limpie cualquier residuo de la parte superior de la plancha.



PASO 02 Configura tu plancha a fuego alto hasta que la parte superior de la plancha cambie de color. (~10 minutos)

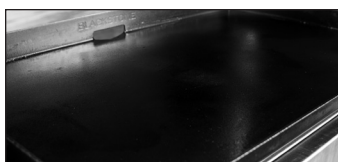


PASO 03 Use pinzas para sostener una toalla de papel o un paño de algodón y extienda 2-3 cucharadas de su aceite de condimento en toda la parte superior de la plancha.

Cuando sazone la parte superior de su plancha, recuerde usar una capa delgada y uniforme de aceite: cuanto más delgada sea la capa de aceite, más fácil será quemarla.



PASO 04 La parte superior de la plancha está lista para otra capa de aceite cuando deja de humear. Repita el PASO 03 3-4 veces, o hasta que la superficie de la plancha esté negra.



AVISO

No guarde ningún artículo a menos de 8 cm (3 pulgadas) de la parte superior de la plancha mientras esté en uso.

¿QUÉ ACEITE ES MEJOR USAR?

- Blackstone Seasoning and Cast Iron Conditioner.
- Cualquier aceite de cocina de origen vegetal.
- Grasa animal fundida sin aditivos.



ATENCIÓN

Deseche adecuadamente los trapos/toallas utilizados para esparcir el aceite sobre la plancha para evitar incendios que puedan ocurrir debido a la combustión espontánea.

En las condiciones adecuadas, el aceite residual en trapos o toallas puede oxidarse mucho después de haber sido retirado de una fuente de calor. El proceso de oxidación en sí produce calor que, si NO SE disipa, puede acumularse y causar que los trapos/toallas y el material circundante se enciendan.

SOLUCIÓN DE PROBLEMAS DE CONDIMENTOS

Hay un residuo marrón en la superficie de la plancha:

POSIBLES CAUSAS

- Se usó demasiado aceite.
- Apagaste la calefacción demasiado pronto.

SOLUCIÓN

PASO 01 Encienda su plancha a temperatura alta y déjela calentar durante 10-15 minutos.

PASO 02 Raspe la mayor cantidad de aceite espesado y parcialmente cocido que pueda.

PASO 03 Vuelva a sazonar con una capa muy fina de aceite.

Los bordes de la superficie de la plancha no son negros:

Después de usar su plancha para cocinar varias veces, el condimento se nivelará y mejorará.

PREVENCIÓN DEL ÓXIDO

Use su plancha con frecuencia. Cada vez que cocina, está agregando condimentos, lo que hace que la oxidación sea menos probable.

AVISO

Si vive en un clima húmedo o costero, su plancha puede requerir curaciones más frecuentes entre usos.

Si aparece óxido en la superficie de la plancha, frótelo con lana de acero, papel de lija de grano bajo o **Blackstone Pumice Stone** y vuelva a secar la superficie.

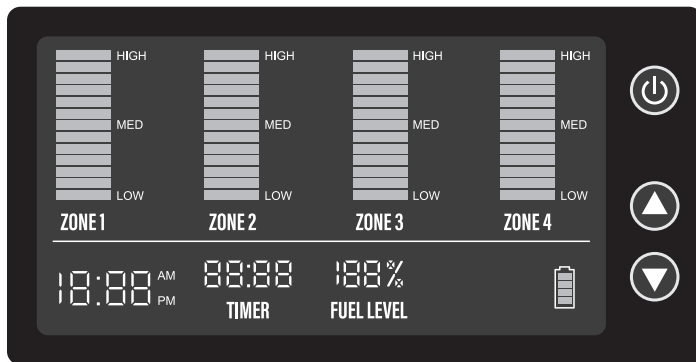


VIDEOTUTORIAL

Recuperación de la tapa de su plancha Blackstone
[youtube.com/watch?v=thPE2lgnSii](https://www.youtube.com/watch?v=thPE2lgnSii)



INSTRUCCIONES DE LA PANTALLA DIGITAL



ENCIENDA O APAGUE LA PANTALLA

Presione una vez para encender o apagar la pantalla.

APAGADO AUTOMÁTICO

La pantalla se apaga después de 5 minutos cuando todos los quemadores están apagados (ingresará al modo de ahorro de energía después de 30 segundos).

CONFIGURE EL TEMPORIZADOR

- Presione una vez : aumenta 1 minuto por cada presión.
- Presione y mantenga presionado : los minutos aumentarán hasta que suelte el botón.
 - Presione para disminuir.
 - El tiempo máximo es de 99 minutos.
- La pantalla parpadeará cuando se configure el temporizador. El timbre sonará cuando termine.

FUNCIÓN DE SILENCIO

Presione y mantenga presionado durante 3 segundos (esta se convertirá en la configuración predeterminada hasta que se vuelva a cambiar manualmente. El temporizador no sonará).

CONFIGURE EL RELOJ

PASO 01 Para ingresar a la interfaz de configuración del reloj: presione y mantenga presionados y al mismo tiempo durante 2 segundos.

PASO 02 Configurar la hora: el valor de la hora parpadeará. Presione o . La hora se configurará después de 3 segundos sin ingresar nada.

PASO 03 Configurar minutos: el valor de los minutos parpadeará. Presione o . Los minutos se configurarán después de 3 segundos sin ingresar nada.

- La hora se recordará durante 5 minutos después de un corte de energía.
- La hora configurada predeterminada es 12:00 AM.

NIVELES DE BATERÍA

5.5V - 6.2V 6.2V - 6.8V 6.8V - 7.5V ≥ 7.5V

BATERÍA BAJA

El marco parpadeará y emitirá un pitido cada 5 minutos.

TEMPERATURAS DE LA ZONA DE COCCIÓN

LOW ≥ 200°F

BAJO - MEDIO = Temperatura indicada en segmentos de 40°F.

MED ≥ 440°F

MED - ALTO = Temperatura indicada en segmentos de 30°F.

HIGH ≥ 620°F

SOLUCIÓN DE PROBLEMAS/ CÓDIGOS DE ERROR

Se muestra sobre el ícono TIMER, el timbre suena 5 veces y el ícono relacionado parpadea;

- Error del sensor de temperatura: ZONE 1, ZONE 2, ZONE 3, ZONE 4
- Error de la báscula electrónica: FUEL LEVEL

CALIBRACIÓN DE LA BÁSCULA ELECTRÓNICA

Puede ser necesaria la calibración si la báscula electrónica es inexacta, por ejemplo, envejecimiento del sensor, cambios en la estructura mecánica de la báscula, etc. El propósito de la calibración es obtener el valor descargado de la báscula electrónica.

Nota: Asegúrese de que no haya nada en la báscula electrónica al realizar la calibración.

PASO 01 Asegúrese de que la pantalla esté ENCENDIDA.

PASO 02 Presione y mantenga presionado y al mismo tiempo durante 1 segundo.

La calibración durará 2 segundos y la pantalla mostrará en la parte superior del área FUEL LEVEL.

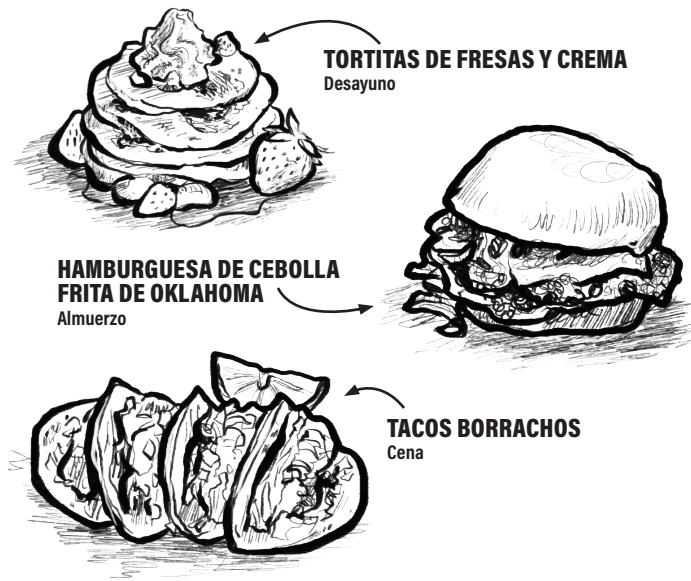


⚠ ATENCIÓN

Este aparato estará caliente durante y después de su uso. Utilice utensilios de mango largo y guantes de cocina/guantes protectores cuando manipule piezas potencialmente calientes para protegerse contra quemaduras y salpicaduras.

RECETAS Y CONSEJOS DE COCINA

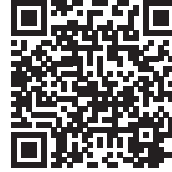
- BlackstoneProducts.com/recipes
- youtube.com/BlackstoneGriddles
- [f](#) [p](#) [@](#) @blackstoneproducts



CÓMO LIMPIAR LA PLANCHA

Limpie la parte superior de la plancha después de cada uso, mientras aún esté caliente.

- NO USE jabón en la parte superior de la plancha. Esto destruirá el condimento de la plancha.

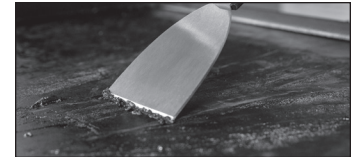


VIDEOTUTORIAL

HCómo limpiar su plancha Blackstone

youtube.com/watch?v=-ledu9z6NPY

PASO 01 Empuje los restos de comida sueltos en el recipiente para la grasa con una espátula o un raspador de metal recto.



PASO 02 Limpie la parte superior de la plancha con una toalla de papel o un estropajo Blackstone.



PASO 03 Aplique unas cuantas cucharadas de agua a la superficie de la plancha, luego raspe el agua y los residuos en el recipiente para la grasa. (Para los residuos de comida pegados, use un poco de sal gruesa).



PASO 04 Limpie nuevamente con una toalla de papel y seque completamente.



PASO 05 Aplique una fina capa de aceite de cocina para mantener la sazón y proteger la parte superior de la plancha.



VACÍA TU VASO DE GRASA

El recipiente para la grasa debe retirarse y vaciarse después de cada uso.

Nota: Asegurarse de que la plancha esté en un terreno nivelado permitirá que la grasa y el agua se escurran hacia el corte de grasa trasero.

⚠ ATENCIÓN

La taza de grasa estará caliente durante y después del uso. NO RETIRE la taza de grasa hasta que la plancha se haya enfriado por completo.



⚠ ADVERTENCIA

La acumulación de grasa puede provocar un incendio. Limpie cualquier parte del aparato que se caliente y experimente acumulación de grasa después de cada uso.

⚠ ATENCIÓN

Toda la limpieza y el mantenimiento deben llevarse a cabo cuando el aparato esté frío y todo esté APAGADO.

- NO USE una almohadilla abrasiva en áreas con gráficos.
- Si se usa un cepillo de cerdas para limpiar cualquiera de las superficies de cocción, asegúrese de que no queden cerdas sueltas en las superficies de cocción antes de cocinar.

CUERPO DEL APARATO:

Lave con agua jabonosa tibia y seque inmediatamente con un paño no abrasivo. (No permita que los agentes de limpieza descansen sobre ninguna superficie porosa durante un período de tiempo prolongado).

AVISO

NO UTILICE Citrisol, limpiadores abrasivos o un limpiador concentrado en el aparato. Esto puede resultar en daños y fallas en las piezas.

ALMACENAMIENTO DE ELECTRODOMÉSTICOS

⚠ ADVERTENCIA

No mueva el aparato cuando esté en uso. Deje que el aparato se enfríe a 115°F (45°C) antes de moverlo o almacenarlo.

Cubra el aparato cuando lo guarde al aire libre. No lo guarde en un lugar donde pueda acumularse agua.

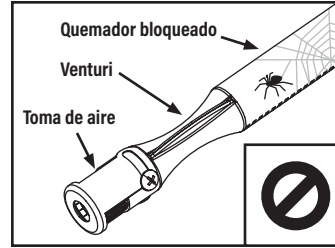


ENCUENTRA MI PORTADA
BlackstoneProducts.com

LIMPIEZA DEL CONJUNTO DEL QUEMADOR

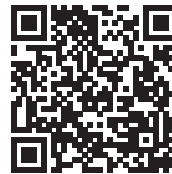
Las arañas y los insectos pueden anidar dentro y obstruir el quemador/tubo venturi en el orificio.

Para reducir la posibilidad de un incendio por retroceso, se debe seguir el procedimiento a continuación al menos una vez al mes, cuando las arañas están más activas o cuando su electrodoméstico NO SE ha utilizado durante un período de tiempo.



⚠ ADVERTENCIA

Un quemador obstruido puede provocar un incendio debajo del aparato. El quemador debe retirarse y limpiarse siempre que se encuentren obstrucciones.



VIDEOTUTORIAL

Cómo limpiar el tubo de su quemador
[youtube.com/watch?v=xKQTCrFCzf8](https://www.youtube.com/watch?v=xKQTCrFCzf8)

PASO 01 Asegúrese de que el suministro de gas esté APAGADO en las perillas de control.

- Retire la parte superior de la plancha.
- Retire el quemador.

PASO 02 Levante con cuidado el quemador y retírelo del orificio de la válvula de gas.

PASO 03 Limpiar el interior del quemador:

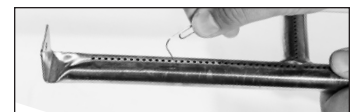
- Pase un cepillo estrecho para botellas a través del quemador varias veces. (NO use cepillos de alambre)
- Utilice aire comprimido para apagar el quemador. (Use protección para los ojos)



PASO 04 Cepille toda la superficie exterior del quemador para eliminar la suciedad.

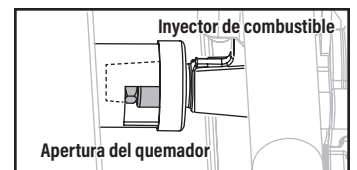


PASO 05 Limpie los puertos bloqueados con un alambre rígido, como un sujetapapeles abierto.



PASO 06 Vuelva a colocar con cuidado los quemadores y vuelva a colocarlos, prestando atención a la ubicación de la aguja de encendido.

⚠ La boquilla de combustible del riel de gas debe volver a conectarse dentro de la abertura del quemador.





SOLUCIÓN DE PROBLEMAS

EL QUEMADOR NO SE ENCIENDE

Si NO SE produce el encendido en 5 segundos:

PASO 01 Apague el aparato.

PASO 02 Espere 5 minutos.

PASO 03 Repita el procedimiento de encendido.

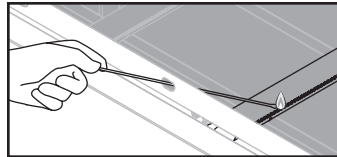
Si esto no funciona, intente encender el aparato con un fósforo para determinar la causa.

INSTRUCCIONES PARA ENCENDER EL APARATO CON UN FÓSFORO

Antes de comenzar, verifique que no haya fugas de gas. Abra la capota (si corresponde).

PASO 01 Apague los controles.

PASO 02 Encienda una cerilla (o un encendedor largo) de no menos de 28 cm (11 pulgadas) de largo.



PASO 03 Coloque la llama junto al quemador.

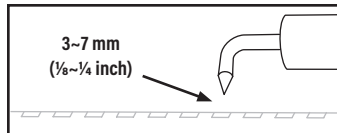
PASO 04 Encienda los controles para que comience a fluir el gas. Asegúrese de que el quemador se encienda y permanezca encendido.

SI UN FÓSFORO NO PUEDE ENCENDER EL APARATO:

POSIBLES CAUSAS	SOLUCIÓN
El gas no llega a los quemadores.	Consulte la sección "El gas no llega a los quemadores".

SI UN FÓSFORO PUEDE ENCENDER EL APARATO:

POSIBLES CAUSAS	SOLUCIÓN
El cable del encendedor está desalineado.	Asegúrese de que la aguja del encendedor esté ubicada a 3~7 mm (1/8~1/4 de pulgada) de distancia del quemador y alineada con los orificios del quemador.



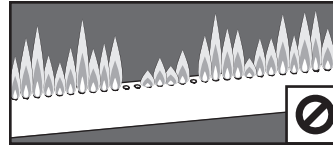
Daño en el sistema de encendido.	Comuníquese con el servicio de atención al cliente para obtener piezas de repuesto.
----------------------------------	---

Batería agotada o mal instalada.
Para reciclar y desechar baterías para proteger el medio ambiente, consulte Internet o su directorio telefónico local para encontrar centros de reciclaje locales y/o siga las regulaciones del gobierno local.

Reemplácela con una batería nueva.

- Asegúrese de que la batería esté instalada correctamente con respecto a la polaridad (+ y -).
- Retire las baterías del equipo que NO SE vaya a utilizar durante un período prolongado.
- Retire las baterías usadas rápidamente.

EL GAS NO LLEGA A LOS QUEMADORES LAS LLAMAS SON AMARILLAS O IRREGULARES



- Las llamas del quemador son inconsistentes.
- La altura de la llama disminuye cuando se enciende un segundo quemador.
- El aparato no alcanza una temperatura alta o caliente de manera desigual.

POSIBLES CAUSAS SOLUCIÓN

El cilindro de gas está vacío o tiene poca carga.
(No corresponde si está conectado a gas natural)

Rellene o reemplace el cilindro de gas.

Se activó el dispositivo limitador de flujo del regulador.
(No corresponde para aparatos que no tienen un regulador fijado de manera permanente)

Reinicie el sistema de seguridad:

PASO 01 Apague el aparato, cierre la válvula del cilindro de gas y desconecte el regulador del cilindro de gas.

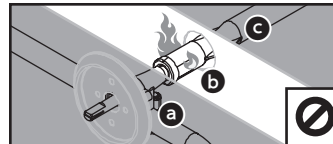
PASO 02 Espere cinco minutos para que se disipe la presión, luego vuelva a conectar el regulador al cilindro de gas y abra lentamente la rueda manual del cilindro de gas una a tres vueltas.

PASO 03 Encienda el aparato.
Si esto no funciona, el regulador puede estar atascado en la posición de seguridad. Comuníquese con el servicio de atención al cliente para obtener piezas de repuesto.

Obstrucciones en el quemador.

Limpie el conjunto del quemador para eliminar la obstrucción.

LLAMA EN UNA UBICACIÓN INESPERADA



- a Riel y válvulas de gas.
- b Entrada/compuerta de aire.
- c Quemador.

POSIBLES CAUSAS SOLUCIÓN

Algo está bloqueando el venturi en el quemador.

Comuníquese con el servicio de atención al cliente para evitar dañar el aparato.

ESPAÑOL



ATENCIÓN AL CLIENTE

CONTACTA CON NOSOTROS

Para cualquier pregunta, consulta o asistencia al cliente, contáctenos a:

ESTADOS UNIDOS DE BLACKSTONE PRODUCTS

BlackstoneProducts.com/support

- Comuníquese con nosotros antes de devolver este aparato a su distribuidor.
- Consulte BlackstoneProducts.com para conocer los horarios y los idiomas que se hablan.

CANADÁ DE BLACKSTONE PRODUCTS

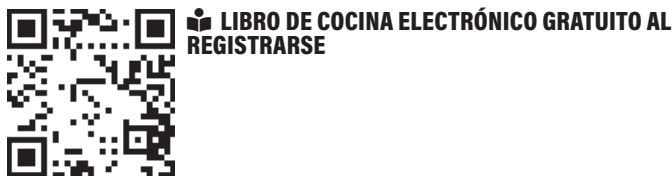
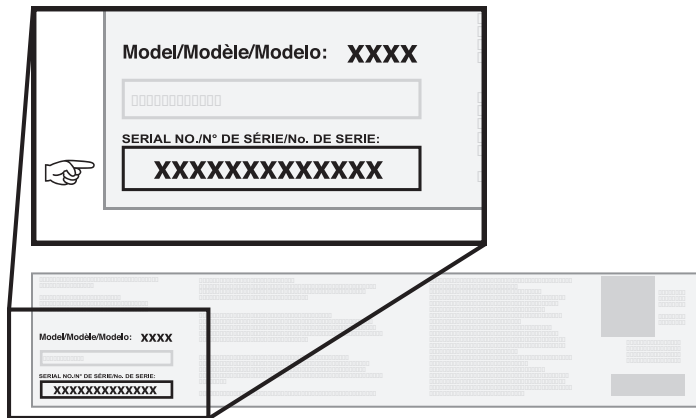
BlackstoneGriddles.ca

UBICACIÓN DEL NÚMERO DE SERIE

Para habilitar su garantía, deberá proporcionar el número de serie de su electrodoméstico.

El número de serie se puede encontrar en la etiqueta del fabricante de su electrodoméstico.

(La etiqueta del fabricante es una etiqueta plateada grande que se encuentra en el cuerpo de su electrodoméstico).



GARANTÍA DE UN AÑO

North Atlantic Imports, LLC garantiza este producto contra defectos de materiales y mano de obra por un período de un (1) año a partir de la fecha original de compra en condiciones de uso normal. En la medida en que se produzcan dichos defectos, North Atlantic Imports, LLC., a su discreción, proporcionará las piezas de repuesto adecuadas sin costo alguno.

En ningún caso North Atlantic Imports, LLC será responsable de los daños consecuentes, indirectos o incidentales que resulten de la instalación, el uso o la falla del producto.

Esta garantía NO cubre:

- Costos de inspección o mano de obra para el reemplazo de cualquier pieza defectuosa;
- Defectos cosméticos que no afectan el rendimiento o la integridad del producto;
- Uso y desgaste normal;
- Daños por vandalismo; actos de la naturaleza, incluidos, entre otros, viento, tormentas, granizo, inundaciones;
- Montaje, instalación o uso inadecuado;
- Decoloración o decoloración del acabado como resultado de la exposición a productos químicos, derrames, piscina o agua salada;
- Corrosión/óxido.

Este producto ha sido diseñado para brindar seguridad y calidad. Cualquier modificación realizada al producto original podría comprometer su integridad estructural o su función y podría provocar fallas en el producto o lesiones personales. Como tal, modificar este producto anula todas las garantías.

Este producto es SOLO PARA USO RESIDENCIAL y no para fines comerciales, contractuales ni otros fines no residenciales. North Atlantic Imports, LLC renuncia a todas las demás representaciones y garantías de cualquier tipo, expresas o implícitas.

La garantía se aplica al comprador original y no es transferible. NO SE aplica a accesorios o piezas que NO SE suministran con el producto, a compras de modelos de exhibición ni a productos que se venden en liquidación o "tal cual". Sin embargo, es posible que tenga otros derechos legales específicos según las leyes de su estado o país de residencia específico.

Para activar su garantía, registre su producto en

BlackstoneProducts.com/register

North Atlantic Imports, LLC se reserva el derecho de cambiar o modificar esta garantía en cualquier momento.

Este producto puede estar cubierto por una o más patentes estadounidenses y/o internacionales emitidas y puede incluir solicitudes de patentes pendientes.

Para obtener más información, visite: BlackstoneProducts.com/patents

Blackstone es una marca registrada de North Atlantic Imports, LLC

©2025 North Atlantic Imports. Todos los derechos reservados.

Distribuido por North Atlantic Imports, LLC 1073 W 1700 N Logan, UT 84321 EE. UU.



Esta página se dejó en blanco intencionalmente





Esta página se dejó en blanco intencionalmente





Esta página se dejó en blanco intencionalmente



