



To the installer: please leave this instruction book with the unit.
To the consumer: please read and keep this book for future reference.

Para el instalador: favor de dejar este manual de instrucciones con la unidad.
Para el consumidor: favor de leer y guardar este manual para futuras referencias.

Pour l'installateur : laissez ce manuel d'instructions avec l'appareil.
Pour le consommateur: lire ce manuel et le conserver pour consultation ultérieure.



STANDARD CLEANING GAS RANGE

Use & Care Guide

For questions about features, operation/performance parts, accessories or service, call: 1-800-253-1301.

In Canada, call for assistance 1-800-461-5681, for installation and service, call: 1-800-807-6777

or visit our website at...

www.whirlpool.com or www.whirlpool.com/canada

ESTUFA DE GAS DE LIMPIEZA ESTÁNDAR

Guía para el Uso y Cuidado

Para consultas respecto a características, funcionamiento, rendimiento, piezas, accesorios o servicio técnico, llame al: 1-800-253-1301

En Canadá, para obtener ayuda llame al 1-800-461-5681; para la instalación y el servicio, llame al: 1-800-807-6777

o visite nuestro sitio web en:

www.whirlpool.com/canada

CUISINIÈRE À GAZ À NETTOYAGE STANDARD

Guide d'utilisation et d'entretien

Au Canada, pour assistance, composez le 1-800-461-5681, pour installation ou service 1-800-807-6777

ou visitez notre site web à
www.whirlpool.com/canada

Table of Contents/Índice/Table des matières 2

TABLE OF CONTENTS

RANGE SAFETY	3	Oven Temperature Control	9
The Anti-Tip Bracket	4	OVEN USE	9
PARTS AND FEATURES	5	Aluminum Foil	9
COOKTOP USE	6	Positioning Racks and Bakeware	9
Cooktop Controls	6	Bakeware	10
Sealed Surface Burners	6	Oven Vent	10
Burner Rotation	7	Baking and Roasting	10
Home Canning	7	Broiling and Custom Broiling	11
Cookware	7	Timed Cooking	11
ELECTRONIC OVEN CONTROL	8	RANGE CARE	12
Display	8	General Cleaning	12
Oven Indicator Lights	8	Oven Light	13
Start/Enter	8	Oven Door	13
Off/Cancel	8	Removing the Oven Bottom	14
Clock	8	TROUBLESHOOTING	14
Timer	8	ASSISTANCE OR SERVICE	16
Control Lock	9	WARRANTY	17

ÍNDICE

SEGURIDAD DE LA ESTUFA	19	Control de temperatura del horno	25
El soporte antivuelco	20	USO DEL HORNO	25
PIEZAS Y CARACTERÍSTICAS	21	Papel de aluminio	25
USO DE LA SUPERFICIE DE COCCIÓN	22	Posición de las parrillas y los utensilios para hornear	25
Controles de la superficie de cocción	22	Utensilios para hornear	26
Quemadores exteriores sellados	22	Ducto de escape del horno	26
Rotación de los quemadores	23	Cómo hornear y asar	26
Enlatado casero	23	Asado regular y asado al gusto	27
Utensilios de cocina	24	Cocción temporizada	28
CONTROL ELECTRÓNICO DEL HORNO	24	CUIDADO DE LA ESTUFA	29
Pantalla	24	Limpieza general	29
Luces indicadoras del horno	24	Luz del horno	29
Start/Enter (Inicio/ingreso)	24	Puerta del horno	30
Off/Cancel (Apagado/anulado)	25	Para quitar el fondo del horno	30
Reloj	25	SOLUCIÓN DE PROBLEMAS	31
Temporizador	25	AYUDA O SERVICIO TÉCNICO	33
Bloqueo de control	25	GARANTÍA	34

TABLE DES MATIÈRES

SÉCURITÉ DE LA CUISINIÈRE	36	Commande de température du four	43
La bride antibasculement	37	UTILISATION DU FOUR	43
PIÈCES ET CARACTÉRISTIQUES	38	Papier d'aluminium	43
UTILISATION DE LA TABLE DE CUISSON	39	Positionnement des grilles et des ustensiles de cuisson	43
Commandes de la table de cuisson	39	Ustensiles de cuisson	43
Brûleurs de surface scellés	39	Évent du four	44
Rotation des brûleurs	40	Cuisson au four et rôtissage	44
Préparation de conserves à la maison	41	Cuisson au gril et cuisson au gril personnalisée	45
Ustensiles de cuisson	41	Cuisson minutée	45
COMMANDE ÉLECTRONIQUE DU FOUR	42	ENTRETIEN DE LA CUISINIÈRE	46
Affichage	42	Nettoyage général	46
Témoins lumineux du four	42	Lampe du four	47
Mise en marche/entrée	42	Porte du four	47
Arrêt/annulation	42	Enlèvement du panneau au fond du four	48
Horloge	42	DÉPANNAGE	48
Minuterie	42	ASSISTANCE OU SERVICE	50
Verrouillage des commandes	42	GARANTIE	51

RANGE SAFETY

Your safety and the safety of others are very important.

We have provided many important safety messages in this manual and on your appliance. Always read and obey all safety messages.



This is the safety alert symbol.

This symbol alerts you to potential hazards that can kill or hurt you and others.

All safety messages will follow the safety alert symbol and either the word "DANGER" or "WARNING." These words mean:

! DANGER

You can be killed or seriously injured if you don't immediately follow instructions.

! WARNING

You can be killed or seriously injured if you don't follow instructions.

All safety messages will tell you what the potential hazard is, tell you how to reduce the chance of injury, and tell you what can happen if the instructions are not followed.

WARNING: If the information in this manual is not followed exactly, a fire or explosion may result causing property damage, personal injury or death.

- Do not store or use gasoline or other flammable vapors and liquids in the vicinity of this or any other appliance.
- **WHAT TO DO IF YOU SMELL GAS:**
 - Do not try to light any appliance.
 - Do not touch any electrical switch.
 - Do not use any phone in your building.
 - Immediately call your gas supplier from a neighbor's phone. Follow the gas supplier's instructions.
 - If you cannot reach your gas supplier, call the fire department.
- Installation and service must be performed by a qualified installer, service agency or the gas supplier.

The California Safe Drinking Water and Toxic Enforcement Act requires the Governor of California to publish a list of substances known to the State of California to cause cancer, birth defects, or other reproductive harm, and requires businesses to warn of potential exposure to such substances.

WARNING: This product contains a chemical known to the State of California to cause cancer, birth defects, or other reproductive harm.

This appliance can cause low-level exposure to some of the substances listed, including benzene, formaldehyde, carbon monoxide, toluene, and soot.

The Anti-Tip Bracket

The range will not tip during normal use. However, the range can tip if you apply too much force or weight to the open door without the anti-tip bracket fastened down properly.



⚠ WARNING

Tip Over Hazard

A child or adult can tip the range and be killed.

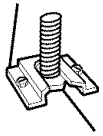
Connect anti-tip bracket to rear range foot.

Reconnect the anti-tip bracket, if the range is moved.

See the installation instructions for details.

Failure to follow these instructions can result in death or serious burns to children and adults.

Anti-Tip Bracket



Range Foot

Making sure the anti-tip bracket is installed:

- Slide range forward.
- Look for the anti-tip bracket securely attached to floor.
- Slide range back so rear range foot is under anti-tip bracket.

IMPORTANT SAFETY INSTRUCTIONS

WARNING: To reduce the risk of fire, electrical shock, injury to persons, or damage when using the range, follow basic precautions, including the following:

- **WARNING:** TO REDUCE THE RISK OF TIPPING OF THE RANGE, THE RANGE MUST BE SECURED BY PROPERLY INSTALLED ANTI-TIP DEVICES. TO CHECK IF THE DEVICES ARE INSTALLED PROPERLY, SLIDE RANGE FORWARD, LOOK FOR ANTI-TIP BRACKET SECURELY ATTACHED TO FLOOR, AND SLIDE RANGE BACK SO REAR RANGE FOOT IS UNDER ANTI-TIP BRACKET.
- **CAUTION:** Do not store items of interest to children in cabinets above a range or on the backguard of a range – children climbing on the range to reach items could be seriously injured.
- Proper Installation – The range, when installed, must be electrically grounded in accordance with local codes or, in the absence of local codes, with the *National Electrical Code, ANSI/NFPA 70*. In Canada, the range must be electrically grounded in accordance with Canadian Electrical Code. Be sure the range is properly installed and grounded by a qualified technician.

- This range is equipped with a three-prong grounding plug for your protection against shock hazard and should be plugged directly into a properly grounded receptacle. Do not cut or remove the grounding prong from this plug.
- Disconnect the electrical supply before servicing the appliance.
- Never Use the Range for Warming or Heating the Room.
- Injuries may result from the misuse of appliance doors or drawers such as stepping, leaning, or sitting on the doors or drawers.
- Maintenance – Keep range area clear and free from combustible materials, gasoline, and other flammable vapors and liquids.
- Storage in or on the Range – Flammable materials should not be stored in an oven or near surface units.
- Top burner flame size should be adjusted so it does not extend beyond the edge of the cooking utensil.

For self-cleaning ranges –

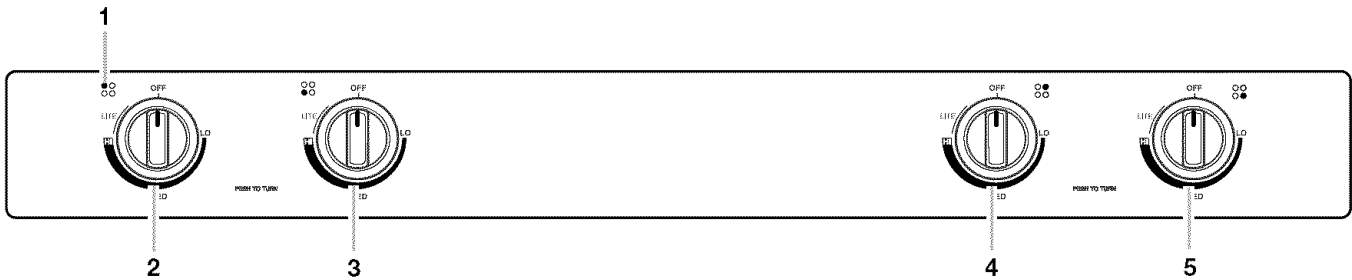
- Before Self-Cleaning the Oven – Remove broiler pan and other utensils. Wipe off all excessive spillage before initiating the cleaning cycle.

SAVE THESE INSTRUCTIONS

PARTS AND FEATURES

This manual covers several different models. The range you have purchased may have some or all of the parts and features listed. The locations and appearances of the features shown here may not match those of your model.

Cooktop Control Panel

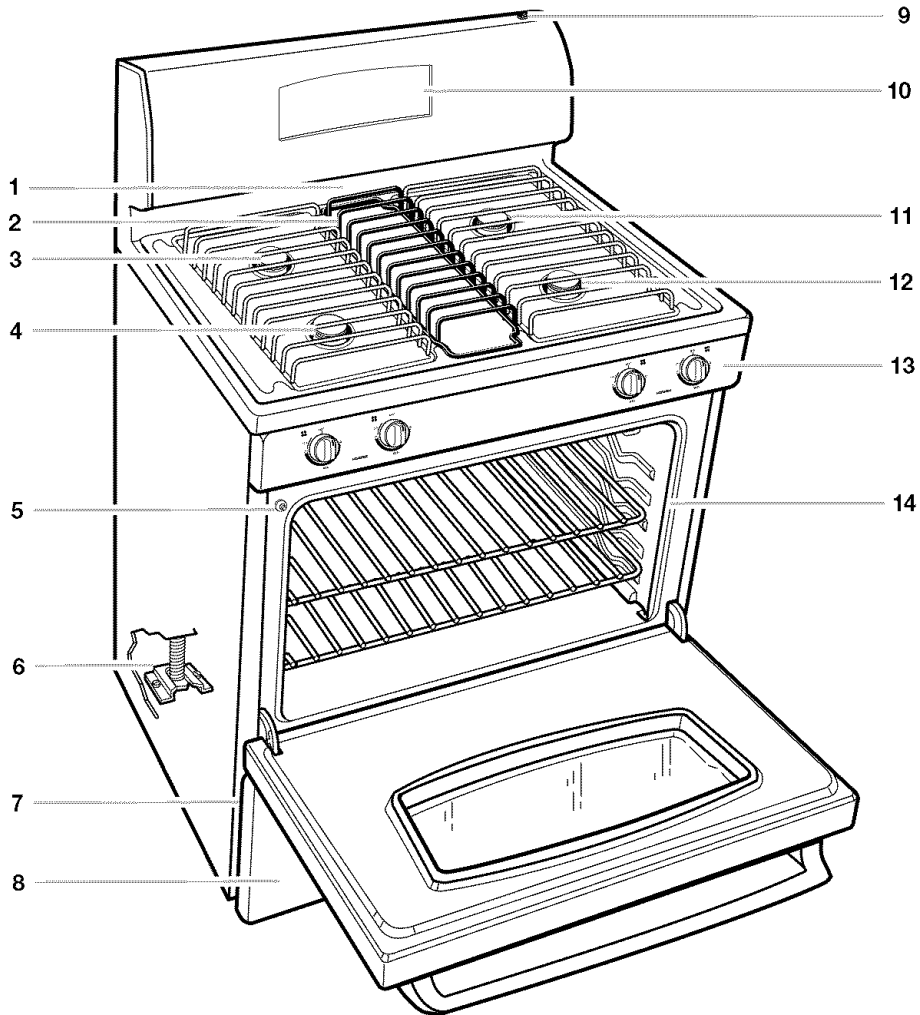


1. Surface Burner Locator
2. Left Rear Burner Control Knob

3. Left Front Burner Control Knob
4. Right Rear Burner Control Knob

5. Right Front Burner Control Knob

Range



1. Oven Vent
2. Center Grate (on some models)
3. Left Rear Surface Burner and Grate
4. Left Front Surface Burner and Grate
5. Automatic Oven Light Switch

6. Anti-Tip Bracket
7. Model and Serial Number Plate
(behind left side of Broiler Door)
8. Broiler Door
9. Manual Oven Light Switch

10. Electronic Oven Control
11. Right Rear Surface Burner and Grate
12. Right Front Surface Burner and Grate
13. Cooktop Control Panel
14. Door Gasket

COOKTOP USE

Cooktop Controls

⚠ WARNING



Fire Hazard

Do not let the burner flame extend beyond the edge of the pan.

Turn off all controls when not cooking.

Failure to follow these instructions can result in death or fire.

Electric igniters automatically light the surface burners when control knobs are turned to LITE.

Before setting a control knob, place filled cookware on the grate. Do not operate a burner using empty cookware or without cookware on the grate.

To Set Burner Temperature:

1. Push in and turn knob counterclockwise to LITE.
All four surface burners will click. Only the burner with the control knob turned to LITE will produce a flame.
2. Turn knob anywhere between HIGH and LOW. The clicking will stop. Use the following chart as a guide when setting heat levels.

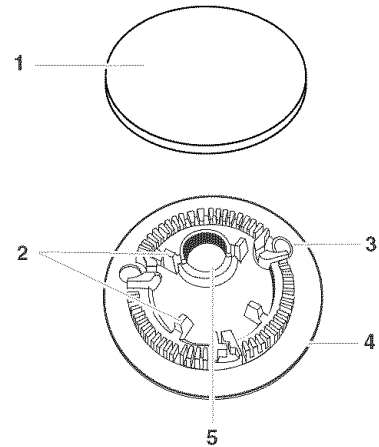
SETTING	RECOMMENDED USE
LITE	<ul style="list-style-type: none"> Light the burner.
HI	<ul style="list-style-type: none"> Start food cooking. Bring liquid to a boil.
MED	<ul style="list-style-type: none"> Hold a rapid boil. Quickly brown or sear food. Fry or sauté foods. Cook soups, sauces and gravies. Stew or steam foods.
LO	<ul style="list-style-type: none"> Keep food warm. Melt chocolate or butter. Simmer.

Power failure

In case of prolonged power failure, the surface burners can be lighted manually. Hold a lighted match near a burner and turn knob counterclockwise to LITE. After burner lights, turn knob to setting.

REMEMBER: When range is in use or (on some models) during the Self-Cleaning cycle, the entire cooktop area may become hot.

Sealed Surface Burners

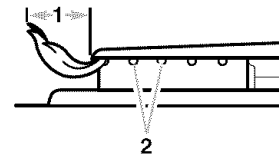


1. Burner cap
2. Alignment pins
3. Igniter
4. Burner
5. Gas tube opening

IMPORTANT: Do not obstruct the flow of combustion and ventilation air around the burner grate edges.

Burner cap: Always keep the burner cap in place when using a surface burner. A clean burner cap will help prevent poor ignition and uneven flames. Always clean the burner cap after a spillover and routinely remove and clean the caps according to the "General Cleaning" section.

Gas tube opening: Gas must flow freely throughout the gas tube opening for the burner to light properly. Keep this area free of soil and do not allow spills, food, cleaning agents or any other material to enter the gas tube opening. Protect it from spillovers by always using a burner cap.



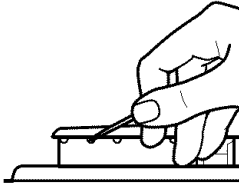
1. 1-1½" (25-38 mm)
2. Burner ports

Burner ports: Check burner flames occasionally for proper size and shape as shown above. A good flame is blue in color, not yellow. Keep this area free of soil and do not allow spills, food, cleaning agents or any other material to enter the burner ports.

To Clean:

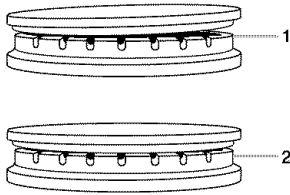
IMPORTANT: Before cleaning, make sure all controls are off and the oven and cooktop are cool. Do not use oven cleaners, bleach or rust removers.

1. Remove the burner cap from the burner base and clean according to "General Cleaning" section.
2. Clean the gas tube opening with a damp cloth.
3. Clean clogged burner ports with a straight pin as shown. Do not enlarge or distort the port. Do not use a wooden toothpick. If the burner needs to be adjusted, contact a trained repair specialist.



4. Replace the correct size burner cap onto the correct size burner base, making sure the alignment pins are properly aligned with the burner cap.

On some models, each size burner cap and burner base has a corresponding letter "A," "B," "C" and "D." To ensure a proper fit and that the burner will light, make sure that the burner cap matches with its corresponding letter on the burner base.



1. Incorrect
2. Correct

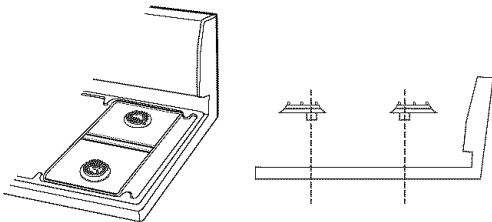
5. Turn on the burner. If the burner does not light, check cap alignment. If the burner still does not light, do not service the sealed burner yourself. Contact a trained repair specialist.

Burner Rotation

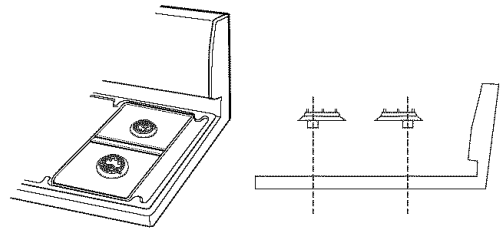
The right side burners can be rotated 180° to reduce the distance between the front and back burners. This permits better heat distribution when using oblong pans or griddles.

To Rotate Burners:

1. Make sure burners are cool before beginning rotation.
2. Remove right side grates and burner caps.
3. Lift burners from cooktop, as shown.



4. Rotate burners 180°, as shown.



5. Replace burners, with large hole over gas tube opening, and small hole over the ignitor. See "Sealed Surface Burners" section for burner parts descriptions. Push burner down, flush with cooktop.
6. Replace burner caps and grates.

Home Canning

When canning for long periods, alternate the use of surface cooking areas, elements or surface burners between batches. This allows time for the most recently used areas to cool.

- Center the canner on the grate or largest surface cooking area or element. Canners should not extend more than 1 in. (2.5 cm) outside the cooking area.
- Do not place canner on two surface cooking areas, elements or surface burners at the same time.
- On ceramic glass models, use only flat-bottomed canners.
- On coil element models, the installation of a Canning Unit Kit is recommended. If a kit is not installed, the life of the coil element will be shortened. See "Assistance or Service" for ordering instructions.
- For more information, contact your local U.S. Government Agricultural Department Extension Office. In Canada, contact Agriculture Canada. Companies that manufacture home canning products can also offer assistance.

Cookware

IMPORTANT: Never leave empty cookware on a hot surface cooking area, element or surface burner.

Ideal cookware should have a flat bottom, straight sides, a well-fitting lid and the material should be of medium-to-heavy thickness.

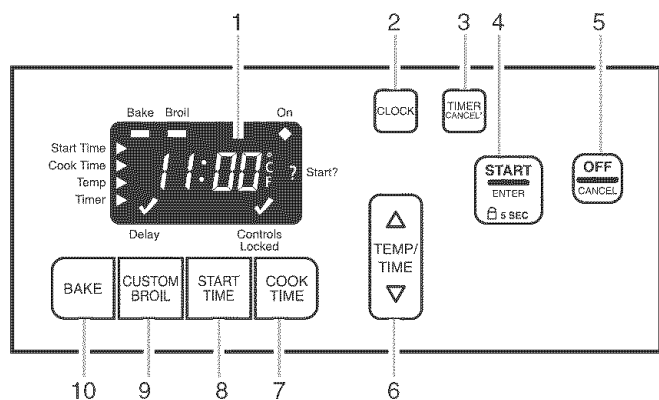
Rough finishes may scratch the cooktop. Aluminum and copper may be used as a core or base in cookware. However, when used as a base they can leave permanent marks on the cooktop or grates.

Cookware material is a factor in how quickly and evenly heat is transferred, which affects cooking results. A nonstick finish has the same characteristics as its base material. For example, aluminum cookware with a nonstick finish will take on the properties of aluminum.

Use the following chart as a guide for cookware material characteristics.

COOKWARE	CHARACTERISTICS
Aluminum	<ul style="list-style-type: none"> Heats quickly and evenly. Suitable for all types of cooking. Medium or heavy thickness is best for most cooking tasks.
Cast iron	<ul style="list-style-type: none"> Heats slowly and evenly. Good for browning and frying. Maintains heat for slow cooking.
Ceramic or Ceramic glass	<ul style="list-style-type: none"> Follow manufacturer's instructions. Heats slowly, but unevenly. Ideal results on low to medium heat settings.
Copper	<ul style="list-style-type: none"> Heats very quickly and evenly.
Earthenware	<ul style="list-style-type: none"> Follow manufacturer's instructions. Use on low heat settings.
Porcelain enamel-on-steel or cast iron	<ul style="list-style-type: none"> See stainless steel or cast iron.
Stainless steel	<ul style="list-style-type: none"> Heats quickly, but unevenly. A core or base of aluminum or copper on stainless steel provides even heating.

ELECTRONIC OVEN CONTROL



- | | |
|-------------------------------|---------------------|
| 1. Oven Display | 6. Temperature/Time |
| 2. Clock | 7. Cook Time |
| 3. Timer/Cancel | 8. Start Time |
| 4. Start/Enter (Control Lock) | 9. Custom Broil |
| 5. Off/Cancel | 10. Bake |

Display

When power is first supplied to the appliance, "PF" will appear on the display. Press OFF to clear.

If "PF" appears at any other time, a power failure has occurred. Press OFF and reset the Clock if needed.

When the oven is in use, the display shows preheat time and the temperature and oven setting.

When the oven is not in use, the display shows the time of day.

When using COOK TIME (on some models) the display will show either hours and minutes, or minutes and seconds.

Oven Indicator Lights

The indicator lights are located along all four sides of the display. The indicator lights light up or flash when the oven is in one of the following modes: Bake, Broil, Clean (on some models), On, Start?, Controls Locked, Door Locked (on some models), Delay, Timer, Temp, Cook Time, or Start Time.

Start/Enter

The START/ENTER pad begins any oven function except the Timer. On some models, if pad is not pressed within 5 seconds after pressing a function pad, the "Start?" indicator light will flash as a reminder. On some models, "START?" will appear on the display.

If not pressed within a short time (depending on your model) after pressing a function pad, the oven display will return to the time of day mode and the programmed function will be canceled.

Off/Cancel

The OFF pad stops any function except the Clock, Timer and Control Lock.

The cooling fan may continue to operate after an oven function has been canceled, depending on oven temperature.

Clock

This is a 12-hour clock and does not show a.m. or p.m.

To Set:

Before setting, make sure the oven and Timer are off.

1. Touch CLOCK.
2. Touch the "up" or "down" arrow pads to set the time of day.
3. Touch CLOCK or START.

Timer

The Timer can be set in hours or minutes up to 12 hours and 59 minutes, and counts down the set time either in hours and minutes, or in minutes and seconds. The Timer does not start or stop the oven.

To Set:

1. Touch TIMER.
The Timer indicator light will light up.
2. Touch the "up" or "down" arrow pads to set the length of time to cook.

3. Touch START/ENTER.

When the Timer has finished counting down, four one-second tones will sound.

To display the time of day at any time during timed cooking, touch CLOCK once

4. Touch TIMER twice at any time during Timer operation to cancel the Timer.

The time can be reset during the countdown by repeating the above steps.

Control Lock

The Control Lock shuts down the control panel pads to prevent unintended use of the oven.

When the control is locked, only the CLOCK and TIMER pads will function.

To Lock/Unlock Control: Before locking, make sure the oven and Timer are off. Touch and hold START/ENTER for 5 seconds. A single tone will sound, "LOC" and "LOCK'D" (on some models) will appear on the display. "LOC" will also appear whenever any command pad is pressed while the control is locked.

Repeat to unlock. "LOC" and "LOCK'D" (on some models) will disappear from the display.

Oven Temperature Control

IMPORTANT: Do not use a thermometer to measure oven temperature because opening the oven door and element or burner cycling may give incorrect readings.

The oven provides accurate temperatures; however, it may cook faster or slower than your previous oven, so the temperature calibration can be adjusted. It can be changed in Fahrenheit or Celsius.

A minus sign means the oven will be cooler by the displayed amount. No sign means the oven will be warmer by the displayed amount. Use the following chart as a guide.

ADJUSTMENT °F (ADJUSTMENT °C)	COOKS FOOD
10°F (5°C)	...a little more
20°F (10°C)	...moderately more
30°F (15°C)	...much more
-10°F (-5°C)	...a little less
-20°F (-10°C)	...moderately less
-30°F (-15°C)	...much less

To Adjust Oven Temperature Calibration:

1. Touch and hold BAKE for 5 seconds until the oven display shows the current calibration, for example "0."
2. Touch the TEMP "up" or "down" arrow pad(s) to increase or to decrease the temperature in 10°F (5°C) amounts. The adjustment can be set between 30°F (15°C) and -30°F (-15°C).
3. Touch START/ENTER.

OVEN USE

Odors and smoke are normal when the oven is used the first few times, or when it is heavily soiled.

IMPORTANT: The health of some birds is extremely sensitive to the fumes given off. Exposure to the fumes may result in death to certain birds. Always move birds to another closed and well ventilated room.

Aluminum Foil

IMPORTANT: Do not line the oven bottom with any type of foil, liners or cookware because permanent damage will occur to the oven bottom finish.

- Do not block or cover the oven bottom vents.
- Do not cover entire rack with foil because air must be able to move freely for best cooking results.
- To catch spills, place foil on rack below dish. Make sure foil is at least 1 in. (2.5 cm) larger than the dish and that it is turned up at the edges.

Positioning Racks and Bakeware

IMPORTANT: Never place food or bakeware directly on the oven door or bottom. Permanent damage will occur to the porcelain finish.

RACKS

Position racks before turning the oven on. Do not move racks with bakeware on them. Make sure racks are level. For best performance, cook on one rack. Place the rack so the top of food will be centered in the oven. To move a rack, pull it out to the stop position, raise the front edge, then lift out.

FOOD	RACK POSITION
Frozen pies, large roasts, turkeys, angel food cakes	1 or 2
Bundt cakes, most quick breads, yeast breads, casseroles, meats	2
Cookies, biscuits, muffins, cakes, pies	2 or 3

BAKEWARE

To cook food evenly, hot air must be able to circulate. Allow 2 in. (5 cm) of space around bakeware and oven walls. Use the following chart as a guide.

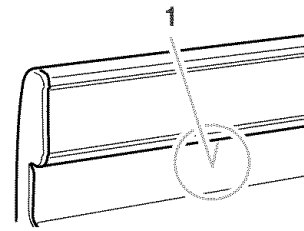
NUMBER OF PAN(S)	POSITION ON RACK
1	Center of rack.
2	Side by side or slightly staggered.
3 or 4	Opposite corners on each rack. Make sure that no bakeware piece is directly over another.

Bakeware

The bakeware material affects cooking results. Follow manufacturer's recommendations and use the bakeware size recommended in the recipe. Use the following chart as a guide.

BAKEWARE/ RESULTS	RECOMMENDATIONS
Light colored aluminum <ul style="list-style-type: none"> ■ Light golden crusts ■ Even browning 	<ul style="list-style-type: none"> ■ Use temperature and time recommended in recipe.
Dark aluminum and other bakeware with dark, dull and/or nonstick finish <ul style="list-style-type: none"> ■ Brown, crisp crusts 	<ul style="list-style-type: none"> ■ May need to reduce baking temperatures 25°F (15°C). ■ Use suggested baking time. ■ For pies, breads and casseroles, use temperature recommended in recipe. ■ Place rack in center of oven.
Insulated cookie sheets or baking pans <ul style="list-style-type: none"> ■ Little or no bottom browning 	<ul style="list-style-type: none"> ■ Place in the bottom third of oven. ■ May need to increase baking time.
Stainless steel <ul style="list-style-type: none"> ■ Light, golden crusts ■ Uneven browning 	<ul style="list-style-type: none"> ■ May need to increase baking time.
Stoneware <ul style="list-style-type: none"> ■ Crisp crusts 	<ul style="list-style-type: none"> ■ Follow manufacturer's instructions.
Ovenproof glassware, ceramic glass or ceramic <ul style="list-style-type: none"> ■ Brown, crisp crusts 	<ul style="list-style-type: none"> ■ May need to reduce baking temperatures 25°F (15°C).

Oven Vent



1. Oven Vent

The oven vent releases hot air and moisture from the oven, and should not be blocked or covered. Doing so will cause poor air circulation, affecting cooking and cleaning results. Never set plastics, paper or other items that could melt or burn near the oven vent.

Baking and Roasting

IMPORTANT: Never light the oven burner during a power failure. Never place food or cookware directly on the oven door or the oven bottom. When using the oven for the first time, it is necessary to turn any one of the surface burners on first to release air from the gas lines.

Before baking and roasting, position racks according to the "Positioning Racks" section.

To Bake or Roast:

1. Touch BAKE.

Touch TEMP "up" or "down" arrow pads to set a temperature other than 350°F (177°C) in 5°F (3°C) amounts. The bake range can be set between 170°F and 500°F (77°C and 260°C).

2. Touch START/ENTER.

The temperature can be changed at any time after this step by touching the TEMP "up" or "down" arrow pads. START/ENTER does not need to be touched again. If baking/roasting while the Timer is counting down, the set baking/roasting temperature can be displayed for 5 seconds by touching BAKE.

3. Touch OFF/CANCEL when finished.

Preheating

After START/ENTER is touched, the oven will enter a timed preheat conditioning cycle. The Temp, Bake, and On indicator lights will light up. The Electronic Oven Control automatically selects the conditioning cycle time based on the oven temperature selected. The conditioning cycle time will not change if the temperature is reset before the cycle countdown ends. The preheat conditioning cycle is complete and the oven is ready to use when a 1-second tone sounds, the cycle countdown ends, and the set temperature is displayed.

Preheat temperatures are affected by varying factors such as room temperature and peak energy usage times. It is normal for the temperature showing on the display and the actual oven temperature to differ.

Waiting an additional 10 minutes after the preheat conditioning time ends to put food in the oven is suggested when baking foods with leavening ingredients, such as yeast, baking powder, baking soda and eggs.

Broiling and Custom Broiling

BROILER

The broiler is located below the oven door. The broiler pan and grid roll out for easy access. Always broil with the broiler and oven doors closed.

- Do not step on or apply weight to the broiler door while it is open.
- Do not preheat broiler before use. Completely close broiler door during broiling.
- Do not use broiler drawer for storage.
- Use only the broiler pan and grid provided with the appliance. It is designed to drain juices and help prevent spatter and smoke.
- For proper draining, do not cover the grid with foil. The bottom of the pan may be lined with aluminum foil for easier cleaning.
- Trim excess fat to reduce spattering. Slit the remaining fat on the edges to prevent curling.
- Pull out oven rack to stop position before turning or removing food. Use tongs to turn food to avoid the loss of juices. Very thin cuts of fish, poultry or meat may not need to be turned.
- After broiling, remove the pan from the oven when removing the food. Drippings will bake on the pan if left in the heated oven, making cleaning more difficult.

To Broil:

1. Open the broiler door and roll out the broiler pan and grid.
2. Place the broiler pan and grid so grease can drain down into the lower part of the broiler pan.
3. Place food on broiler pan. Then place the pan on the broiler rack and close the broiler door.
4. Touch CUSTOM BROIL.
The Broil indicator light will light up.
5. Touch START/ENTER.
The On and Temp indicator lights will light up. The temperature setting can be changed at any time during broiling. If broiling while the Timer is counting down, the set broiling temperature can be displayed for 5 seconds by touching CUSTOM BROIL.
6. Touch OFF/CANCEL when finished broiling.

To CUSTOM BROIL:

Changing the temperature while custom broiling allows more precise control when cooking. The lower the temperature, the slower the cooking. Thicker cuts and unevenly shaped pieces of meat, fish and poultry may cook better at lower broiling temperatures. If food is cooking too quickly, the broiling temperature can be lowered by touching the TEMP “down” arrow pad.

1. Touch CUSTOM BROIL.
2. Touch the TEMP “up” or “down” arrow pads to set a temperature between 300°F (149°C) and 525°F (273°C).
3. Touch START/ENTER.
4. Touch OFF/CANCEL when finished custom broiling.

BROILING CHART

For best results, broiler pan should be rotated at the same time the food is turned. Times are guidelines only and may need to be adjusted for individual foods and tastes.

FOOD	COOK TIME minutes	
	SIDE 1	SIDE 2
Chicken, bone-in pieces, boneless breasts	15-17	15-17
	11-13	11-13
Fish Fillets ½-¾ in. (1.25-1.8 cm) thick	7-8	3-4
Frankfurters	5-6	2-3
Ground meat patties ¾ in. (1.8 cm) thick, well done*	11-13	6-7
Ham slice, precooked ½ in. (1.25 cm) thick	6-8	3-4
Lamb chops 1 in. (2.5 cm) thick	14-17	8-9
Pork chops 1 in. (2.5 cm) thick	19-21	9-10
Steak 1 in. (2.5 cm) thick, medium rare, medium well done	10-12	5-6
	12-14	6-7
	16-17	8-9

*Place up to 9 patties, equally spaced, on broiler grid.

Timed Cooking (on some models)

⚠ WARNING

Food Poisoning Hazard

Do not let food sit in oven more than one hour before or after cooking.

Doing so can result in food poisoning or sickness.

Timed cooking allows the oven to be set to turn on at a certain time of day, cook for a set length of time, and/or shut off automatically. Delay start should not be used for food such as breads and cakes because they may not bake properly.

To Set a Cook Time (on some models):

1. Place the oven racks where needed and place food on the appropriate rack. (See “Positioning Racks and Bakeware” section.)
2. Touch BAKE.
The Bake indicator light will light up.
3. Set the temperature (optional)
Touch the TEMP “up” or “down” arrow pads to raise or lower the temperature in 5°F (3°C) increments from the default setting of 350°F (177°C).

4. Touch COOK TIME.
The Cook Time indicator light will light up.
5. Set the cook time.
Touch the “up” or “down” arrow pads until the correct cook time shows on the display.
6. Touch START/ENTER.
Temperature or time settings can be changed at any time after this step, by repeating steps 3 or 5.

The display will show the baking/roasting countdown time in hours and minutes, or in minutes and seconds, depending on the length of the cook time.

The MEALTIMER™ control setting may be canceled, and the oven turned off at any time by touching OFF/CANCEL.
7. When baking/roasting is complete, the oven will automatically turn itself off, and 4 one-second tones will sound.

To Set a Delayed Start Cook Time (on some models):

Before setting, make sure the clock is set to the correct time of day. See “Clock” section.

1. Place the oven racks where needed and place food on the appropriate rack. (See “Positioning Racks and Bakeware” section.)
2. Touch BAKE.
The Bake indicator light will light up.
3. Set the temperature (optional)
Touch the TEMP “up” or “down” arrow pads to raise or lower the temperature in 5°F (3°C) increments from the default setting of 350°F (177°C).
4. Touch COOK TIME.
The Cook Time indicator light will light up.
5. Set the cook time.
Touch the “up” or “down” arrow pads until the correct cook time shows on the display.
6. Touch START TIME.
The Start Time and Delay indicator lights will light up.
7. Set the start time.
Touch the TIME “up” or “down” arrow pads until the correct start time shows on the display.
8. Touch START/ENTER.
The temperature or time settings may be changed at any time after this step by repeating steps 3 through 8.

The MEALTIMER™ delayed start cook time control setting may be canceled, and the oven turned off at any time by touching OFF/CANCEL.
9. When the start time is reached, a one-second tone will sound. The display will show the baking/roasting countdown time in hours and minutes, or in minutes and seconds, depending on the length of the cook time.
10. When baking/roasting is complete, the oven will automatically turn itself off, and 4 one-second tones will sound.

RANGE CARE

General Cleaning

IMPORTANT: Before cleaning, make sure all controls are off and the oven and cooktop are cool. Always follow label instructions on cleaning products. Do not wipe down any of the inside surfaces until the oven has completely cooled down. Applying a cool damp cloth to the inner door glass before it has cooled completely could result in the glass breaking.

Soap, water and a soft cloth or sponge are suggested first unless otherwise noted.

COOKTOP CONTROLS

Do not use steel wool, abrasive cleansers or oven cleaner.

Do not soak knobs.

When replacing knobs, make sure knobs are in the OFF position.

On some models, do not remove seals under knobs.

- Soap and water or dishwasher:

Pull knobs straight away from control panel to remove.

CONTROL PANEL

Do not use abrasive cleaners, steel-wool pads, gritty washcloths or some paper towels. Damage may occur.

- Glass cleaner and soft cloth or sponge:

Apply glass cleaner to soft cloth or sponge, not directly on panel.

EXTERIOR PORCELAIN ENAMEL SURFACES (on some models)

Food spills containing acids, such as vinegar and tomato, should be cleaned as soon as the entire appliance is cool. These spills may affect the finish.

- Glass cleaner, mild liquid cleaner or nonabrasive scrubbing pad:

Gently clean around the model and serial number plate because scrubbing may remove numbers.

PORCELAIN-COATED GRATES AND CAPS

Food spills containing acids, such as vinegar and tomato, should be cleaned as soon as the cooktop, grates and caps are cool. These spills may affect the finish.

To avoid chipping, do not bang grates and caps against each other or hard surfaces such as cast iron cookware.

Do not reassemble caps on burners while wet.

Do not clean in dishwasher.

- Nonabrasive plastic scrubbing pad and mildly abrasive cleanser:

Clean as soon as cooktop, grates and caps are cool.

SURFACE BURNERS

Sealed Burner models

See “Sealed Surface Burners” section.

Open Burner models

See “Surface Burners” section.

BROILER PAN AND GRID

Do not clean in the Self-Cleaning cycle.

- Mildly abrasive cleanser:
Scrub with wet scouring pad.
- Solution of ½ cup (125 mL) ammonia to 1 gal. (3.75 L) water:
Soak for 20 minutes, then scrub with scouring or steel-wool pad.
- Oven cleaner:
Follow product label instructions.

Porcelain enamel only, not chrome

- Dishwasher
-

OVEN CAVITY

Food spills should be cleaned when oven cools. At high temperatures, foods react with porcelain and staining, etching, pitting or faint white spots can result.

On some models, the oven door can be removed. See “Oven Door” first.

- Steel-wool pad
 - Oven cleaner:
Follow product label instructions. Do not let cleaner contact gasket, thermostat or exterior surfaces. Line the floor with newspaper.
-

OVEN DOOR GLASS (on some models)

- Glass cleaner and paper towels or nonabrasive plastic scrubbing pad
-

OVEN RACK AND ROASTING RACK

- Steel-wool pad
-

Oven Light

The oven light is a standard 40-watt appliance bulb. It will come on when the oven door is open. When the oven door is closed, press the manual oven light switch on the backguard to turn on and off.

Before replacing, make sure the oven and cooktop are cool and the control knobs are off.

To Replace:

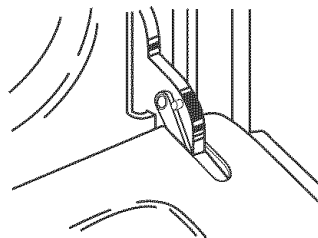
1. Unplug range or disconnect power.
 2. Turn bulb counterclockwise to remove from socket.
 3. Replace bulb.
 4. Plug in range or reconnect power.
-

Oven Door

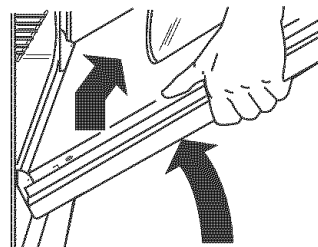
For normal range use, it is not suggested to remove the oven door. However, if necessary, follow these instructions. The oven door is heavy.

To Remove:

1. Open the oven door. Insert hinge pins, included with your range, into both hinge hangers. Do not remove the pins while the door is removed from the range.



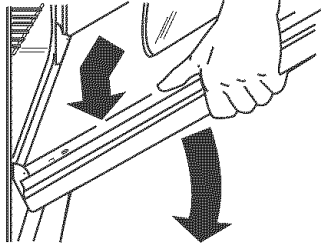
2. Grasp the door on the sides with your fingers on the front of the door and your thumbs on the inside surface.



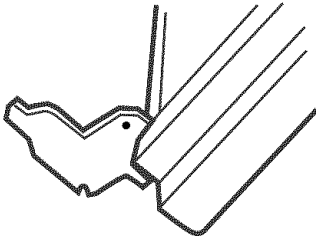
3. Pull door straight up, then toward you. Do not remove hinge pins until the door is replaced on the range.

To Replace:

1. Grasp the door on the sides with your fingers on the front of the door and your thumbs on the inside surface.



2. Hold oven door so that the top edge of each door slot is horizontal. Insert door hinge into the hinge slots.
3. Tilt top of door toward range. Insert bottom door hinge notch down onto front frame edge.



4. Open the door completely and remove the hinge pins. Save hinge pins for future use.
5. Close the door slowly to assure door side panel clearance and proper hinge engagement.

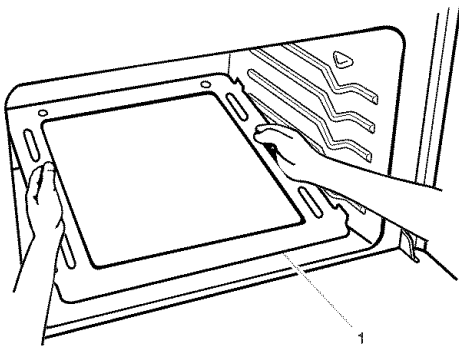
Removing the Oven Bottom

The oven bottom can be removed for standard cleaning of the oven.

Before cleaning, make sure the oven is completely cool.

To Remove:

1. Remove the oven racks.
2. Place fingers in the slots in the bottom panel.



1. Lip

3. Lift the rear of the panel up and back.
The lip at the front of the panel should clear the front frame of the oven cavity.
4. Lift the bottom up and out.

To Replace:

Reverse the steps above.

TROUBLESHOOTING

Try the solutions suggested here first in order to avoid the cost of an unnecessary service call.

Nothing will operate

- **Is the power outlet properly wired and polarized?**
Try another outlet to check for proper wiring and polarity.
- **Is the power supply cord unplugged?**
Plug into a properly grounded 3 prong outlet.
- **Has a household fuse been blown or has the circuit breaker been tripped?**
Replace the fuse or reset the circuit.
- **Is the main or regulator gas shutoff valve in the off position?**
See Installation Instructions.
- **Is the range properly connected to the gas supply?**
Contact a trained repair specialist or see Installation Instructions.

Surface burners will not operate

- **Is this the first time the surface burners have been used?**
Turn on any one of the surface burner knobs to release air from the gas lines.
- **Is the control knob set correctly?**
Push in knob before turning to a setting.
- **Are the burner ports clogged?**
On sealed burner models, see "Sealed Surface Burners" section.
On open burner models, see "Surface Burners" section.

Surface burner flames are uneven, yellow and/or noisy

- **Are the burner ports clogged?**
On sealed burner models, see "Sealed Surface Burners" section.
On open burner models, see "Surface Burners" section.
- **On models with caps, are the burner caps positioned properly?**
See "Sealed Surface Burners" section.
- **Is the burner damaged?**
On models with caps, look for warped cap. Place cap, flat side-down, on a flat surface. If cap wobbles noticeably, it is warped. Place cap on different burner for further check of warping. Replace warped cap. Contact a trained repair specialist if the condition does not improve.
- **Is the air/gas mixture correct?**
Contact a designated service technician to check the air/gas mixture, or see the Installation Instructions.
- **Is propane gas being used?**
The appliance may have been converted improperly. Contact a trained repair specialist.

Surface burner makes popping noises

- **Is the burner wet?**
Let it dry.

Cookware not level on cooktop

- **Is the range level?**
Level the range. (See the Installation Instructions.)
- **Is the proper cookware being used?**
Use cookware with a flat bottom. (See “Cookware” section.)

Excessive heat around cookware on cooktop

- **Is the cookware the proper size?**
Use cookware about the same size as the surface cooking area, element or surface burner. Cookware should not extend more than 1 in. (2.5 cm) outside the cooking area.
- **Are the right side surface burners rotated toward each other?**
See “Burner Rotation” section.

Oven will not operate

- **Is the power outlet properly wired and polarized?**
Try another outlet to check for proper wiring and polarity.
- **Is this the first time the oven has been used?**
Turn any one of the surface burner knobs on to release air from the gas lines.
- **Is the electronic oven control set correctly?**
See “Electronic Oven Control” section.
- **On some models, is the Oven Lockout set?**
See “Oven Lockout” section.
- **Is the main or regulator gas shutoff in the off position?**
Contact a designated service technician or see the Installation Instructions.

Oven makes muffled ticking noise when in use

- This is normal and occurs when the oven burner cycles on and off to hold the set oven temperature.

Oven burner flames are uneven, yellow, or noisy

- **Is propane gas being used?**
The appliance may have been converted improperly. Contact a trained repair specialist.
- **Is the air/gas mixture correct?**
Contact a designated service technician to check the air/gas mixture or see the Installation Instructions.

Oven temperature too high or too low

- **Does the oven temperature calibration need adjustment?**
See “Oven Temperature Control” section.

Display shows messages

- **Is the display showing “PF”?**
There has been a power failure. Touch OFF/CANCEL to clear the display. Reset the clock, if needed. See “Clock” section.
- **Is the display showing “F” followed by a number?**
Touch OFF/CANCEL to clear the display. If an “F” code appears again, contact a trained repair specialist.
- **Has a delay start been set?**
See “Timed Cooking” section.

Cooktop cooking results not what expected

- **Is the proper cookware being used?**
See “Cookware” section.
- **Is the control knob set to the proper heat level?**
See “Cooktop Controls” section.

Baking results not what expected

- **Was the oven preheated?**
Wait for oven to preheat before placing food in oven.
- **Are the racks positioned properly?**
See “Positioning Racks and Bakeware” section.
- **Is there proper air circulation around bakeware?**
See “Positioning Racks and Bakeware” section.
- **Is the batter evenly distributed in the pan?**
Check to make sure batter is level in the pan.
- **Is the appliance level?**
Level the appliance. See the Installation Instructions.
- **Are baked items too brown on the bottom?**
Decrease oven temperature 10°F to 30°F (5°C to 15°C).
- **Are crust edges browning early?**
Use aluminum foil to cover the edge of the crust.

Slow baking or roasting

- **Was the oven preheated?**
Wait for oven to preheat before placing food in oven.
- **Is there proper air circulation around bakeware?**
See “Positioning Racks and Bakeware” section.
- **Is the proper length of time being used?**
Increase baking or roasting time.
- **Is the proper temperature set?**
Increase temperature 25°F (15°C).
- **Has the oven door been opened while cooking?**
Oven peeking releases oven heat and can result in longer cooking times.

Broiler burner fails to light

- **Is the ignition system broken?**
Contact a designated service technician to replace it.
- **Has a household fuse been blown or has the circuit breaker been tripped?**
Replace the fuse or reset the circuit.

ASSISTANCE OR SERVICE

Before calling for assistance or service, please check "Troubleshooting." It may save you the cost of a service call. If you still need help, follow the instructions below.

When calling, please know the purchase date and the complete model and serial number of your appliance. This information will help us to better respond to your request.

If you need replacement parts

If you need to order replacement parts, we recommend that you only use FSP® replacement parts. FSP® replacement parts will fit right and work right because they are made with the same precision used to build every new WHIRLPOOL® appliance.

To locate FSP® replacement parts in your area, call our Customer Interaction Center telephone number or your nearest Whirlpool designated service center.

In the U.S.A.

Call the Whirlpool Customer Interaction Center toll free: **1-800-253-1301**.

Our consultants provide assistance with:

- Features and specifications on our full line of appliances.
- Installation information.
- Use and maintenance procedures.
- Accessory and repair parts sales.
- Specialized customer assistance (Spanish speaking, hearing impaired, limited vision, etc.).
- Referrals to local dealers, repair parts distributors, and service companies. Whirlpool designated service technicians are trained to fulfill the product warranty and provide after-warranty service, anywhere in the United States.

To locate the Whirlpool designated service company in your area, you can also look in your telephone directory Yellow Pages.

For further assistance

If you need further assistance, you can write to Whirlpool Corporation with any questions or concerns at:

Whirlpool Brand Home Appliances
Customer Interaction Center
553 Benson Road
Benton Harbor, MI 49022-2692

Please include a daytime phone number in your correspondence.

In Canada

For product related questions, please call the Whirlpool Canada Inc. Customer Interaction Center toll free: **1-800-461-5681**
Monday to Friday 8:00 a.m. - 6:00 p.m. (EST).
Saturday 8:30 a.m. - 4:30 p.m. (EST).

Our consultants provide assistance with:

- Features and specifications on our full line of appliances.
- Referrals to local dealers.

For parts, accessories and service in Canada

Call **1-800-807-6777**. Whirlpool Canada Inc. designated service technicians are trained to fulfill the product warranty and provide after-warranty service, anywhere in Canada.

For further assistance

If you need further assistance, you can write to Whirlpool Canada Inc. with any questions or concerns at:

Customer Interaction Center
Whirlpool Canada Inc.
1901 Minnesota Court
Mississauga, Ontario L5N 3A7

Please include a daytime phone number in your correspondence.

WHIRLPOOL® GAS COOKTOP, BUILT-IN OVEN AND RANGE WARRANTY

FULL ONE-YEAR WARRANTY

For one year from the date of purchase, when this appliance is operated and maintained according to instructions attached to or furnished with the product, Whirlpool Corporation will pay for FSP® replacement parts and repair labor to correct defects in materials or workmanship. Service must be provided by a Whirlpool designated service company.

SECOND THROUGH FIFTH YEAR LIMITED WARRANTY

On gas ranges and gas cooktops, in the second through fifth years from the date of purchase, when this appliance is operated and maintained according to instructions attached to or furnished with the product, Whirlpool Corporation will pay for FSP® replacement parts for any gas burner to correct defects in materials or workmanship. Service must be provided by a Whirlpool designated service company.

Whirlpool Corporation will not pay for:

1. Service calls to correct the installation of your appliance, to instruct you how to use your appliance, to replace house fuses or correct house wiring, or to replace owner-accessible light bulbs.
 2. Repairs when your appliance is used in other than normal, single-family household use.
 3. Pickup and delivery. Your appliance is designed to be repaired in the home.
 4. Damage resulting from accident, alteration, misuse, abuse, fire, flood, improper installation, acts of God or use of products not approved by Whirlpool Corporation or Whirlpool Canada Inc.
 5. Repairs to parts or systems resulting from unauthorized modifications made to the appliance.
 6. Replacement parts or repair labor costs for units operated outside the United States or Canada.
 7. In Canada, travel or transportation expenses for customers who reside in remote areas.
 8. Any labor costs during limited warranty.
-

WHIRLPOOL CORPORATION AND WHIRLPOOL CANADA INC. SHALL NOT BE LIABLE FOR INCIDENTAL OR CONSEQUENTIAL DAMAGES.

Some states or provinces do not allow the exclusion or limitation of incidental or consequential damages, so this exclusion or limitation may not apply to you. This warranty gives you specific legal rights and you may also have other rights which may vary from state to state or province to province.

Outside the 50 United States and Canada, this warranty does not apply. Contact your authorized Whirlpool dealer to determine if another warranty applies.

If you need service, first see the "Troubleshooting" section of this book. After checking "Troubleshooting," additional help can be found by checking the "Assistance or Service" section or by calling the Whirlpool Customer Interaction Center, **1-800-253-1301** (toll-free), from anywhere in the U.S.A. For parts and service in Canada, please call **1-800-807-6777**. For product related questions in Canada, please call **1-800-461-5681**.

5/00

Keep this book and your sales slip together for future reference. You must provide proof of purchase or installation date for in-warranty service.

Write down the following information about your appliance to better help you obtain assistance or service if you ever need it. You will need to know your complete model number and serial number. You can find this information on the model and serial number label/plate, located on your appliance as shown in the "Parts and Features" section.

Dealer name _____
Address _____
Phone number _____
Model number _____
Serial number _____
Purchase date _____

Notes

SEGURIDAD DE LA ESTUFA

Su seguridad y la seguridad de los demás es muy importante.

Hemos incluido muchos mensajes importantes de seguridad en este manual y en su electrodoméstico. Lea y obedezca siempre todos los mensajes de seguridad.



Este es el símbolo de advertencia de seguridad.

Este símbolo le llama la atención sobre peligros potenciales que pueden ocasionar la muerte o una lesión a usted y a los demás.

Todos los mensajes de seguridad irán a continuación del símbolo de advertencia de seguridad y de la palabra "PELIGRO" o "ADVERTENCIA". Estas palabras significan:

! PELIGRO

Si no sigue las instrucciones de inmediato, usted puede morir o sufrir una lesión grave.

! ADVERTENCIA

Si no sigue las instrucciones, usted puede morir o sufrir una lesión grave.

Todos los mensajes de seguridad le dirán el peligro potencial, le dirán cómo reducir las posibilidades de sufrir una lesión y lo que puede suceder si no se siguen las instrucciones.

ADVERTENCIA: Para su seguridad, la información en este manual debe ser observada para minimizar el riesgo de incendio o explosión, o para prevenir daños a propiedades, heridas o la muerte.

- No almacene o use gasolina u otros líquidos y vapores inflamables cerca de este u otro aparato electrodoméstico.
- **PASOS QUE USTED DEBE SEGUIR SI HUELE A GAS:**
 - No trate encender ningún aparato electrodoméstico.
 - No toque ningún enchufe eléctrico.
 - No use ningún teléfono en su casa o edificio.
 - Llame inmediatamente a su proveedor de gas desde el teléfono de un vecino.
Siga las instrucciones de su proveedor de gas.
 - Si usted no puede comunicarse con su proveedor de gas, llame al departamento de bomberos.
- La instalación y el servicio deben ser efectuados por un instalador calificado, una agencia de servicio o por el proveedor de gas.

La California Safe Drinking Water and Toxic Enforcement Act (La ley de la protección del agua potable y la eliminación de sustancias tóxicas de California) exige que el gobernador de California publique una lista de aquellas sustancias identificadas por el estado de California como causantes de cáncer, defectos congénitos o algún otro tipo de daños en la función reproductora y exige a los comerciantes que adviertan de los posibles riesgos de exposición a tales sustancias.

ADVERTENCIA: Este producto contiene una sustancia química identificada por el estado de California como causante de cáncer, defectos congénitos o algún otro tipo de daños en la función reproductora.

Este electrodoméstico puede producir una exposición de bajo nivel a alguna de las sustancias enumeradas, incluyendo el benceno, formaldehído, monóxido de carbono, tolueno y hollín.

El soporte antivuelco

La estufa no se volteará durante el uso normal. Sin embargo, si usted aplica mucha fuerza o peso a la puerta abierta sin haber fijado adecuadamente el soporte antivuelco, la estufa puede voltearse.



⚠ ADVERTENCIA

Peligro de Vuelco

Un niño o un adulto puede volcar accidentalmente la estufa y resultar muerto.

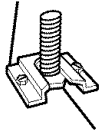
Conecte el soporte anti-vuelco a la pata trasera de la estufa.

Si traslada de lugar la estufa, vuelva a conectar el soporte anti-vuelco.

Consulte las instrucciones de instalación para más detalles.

No seguir estas instrucciones puede ocasionar la muerte o quemaduras graves en niños y adultos.

El soporte anti-vuelco



La pata trasera

Asegúrese de que el soporte anti-vuelco haya sido instalado:

- Deslice la estufa hacia adelante.
- Verifique que el soporte anti-vuelco esté bien asegurado al piso.
- Deslice la estufa para colocarla de nuevo en su lugar asegurándose de que la pata trasera quede debajo del soporte anti-vuelco.

INSTRUCCIONES IMPORTANTES DE SEGURIDAD

ADVERTENCIA: Para reducir el riesgo de incendio, electrocución, lesiones a personas o daños al usar la cocina de gas, siga precauciones básicas, incluyendo las siguientes:

- **ADVERTENCIA:** PARA REDUCIR EL RIESGO DE VOLTEO DE LA COCINA DE GAS, ÉSTA DEBE ASEGURARSE EN EL PISO MEDIANTE LA INSTALACIÓN DE DISPOSITIVOS DE ANTI-VUELCO. PARA VERIFICAR SI LOS DISPOSITIVOS ESTÁN INSTALADOS ADECUADAMENTE, DESLICE LA COCINA DE GAS HACIA ADELANTE, CERCÍOARSE QUE EL SOPORTE ANTI-VUELCO ESTÉ BIEN FIJO EN EL PISO Y DESLICE LA COCINA DE GAS HACIA ATRÁS DE MANERA QUE LA PATA TRASERA DE LA COCINA DE GAS QUEDE FIJA DE BAJO DEL SOPORTE DE ANTI-VUELCO.
- **AVISO:** No almacene artículos que interesen a los niños en los armarios que están encima de una cocina de gas o en el respaldo de protección de una cocina de gas - al trepar los niños encima de la cocina para alcanzar algún objeto, podrían lastimarse seriamente.
- **Instalación Apropiaada** – Instalar la cocina de gas debe hacer la conexión eléctrica a tierra de acuerdo con las normas locales o, en ausencia de normas locales, con el *Código Eléctrico Nacional* (National Electrical Code), ANSI/NFPA 70. En Canadá, la cocina de gas debe tener su conexión eléctrica a tierra de conformidad con el Código Eléctrico Canadiense. Cercíorese que la instalación y puesta a tierra de la cocina de gas sean efectuadas adecuadamente por un técnico competente.

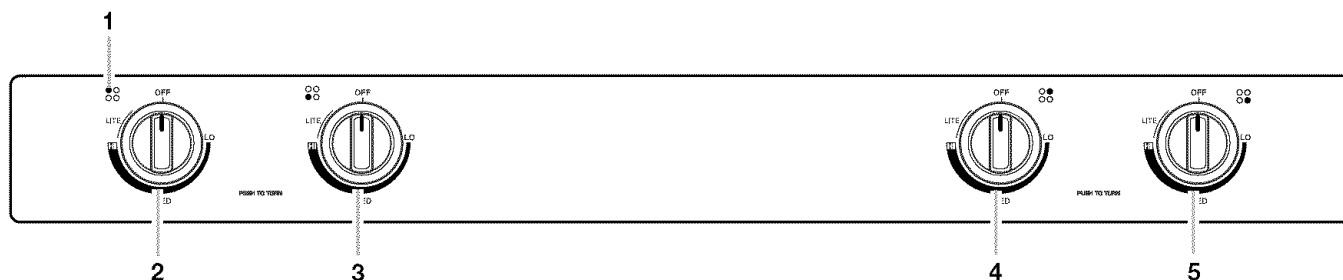
- Esta cocina de gas está equipada con un enchufe de tres puntas con contacto a tierra para su protección contra riesgo de electrocución y debería enchufarse directamente a un tomacorriente que tiene conexión a tierra. No corte ni quite la punta para conexión a tierra de este enchufe.
- Desconecte la energía eléctrica antes de hacer una revisión al aparato electrodoméstico.
- Nunca use la cocina de gas como calefacción del cuarto.
- El mal uso de las puertas o gavetas del aparato electrodoméstico, tales como pisar, recostarse o sentarse en las puertas o gavetas, puede ocasionar heridas.
- **Mantenimiento** – Mantenga el área de la cocina de gas despejada y libre de materiales combustibles, gasolina y otros vapores y líquidos inflamables.
- **Almacenaje dentro o encima de la cocina de gas** – No se debe almacenar materiales inflamables en el horno o cerca de las unidades que están en la superficie.
- El tamaño de la llama del quemador superior debe ajustarse de manera que no se extienda más allá de los bordes del utensilio de cocina.
- **Para cocinas de gas de limpieza automática** –
 - Antes de efectuar la limpieza automática del horno – quite la charola para asar y otros utensilios. Limpie con un trapo húmedo todo derrame excesivo antes de iniciar el ciclo de autolimpieza.

GUARDE ESTAS INSTRUCCIONES

PIEZAS Y CARACTERÍSTICAS

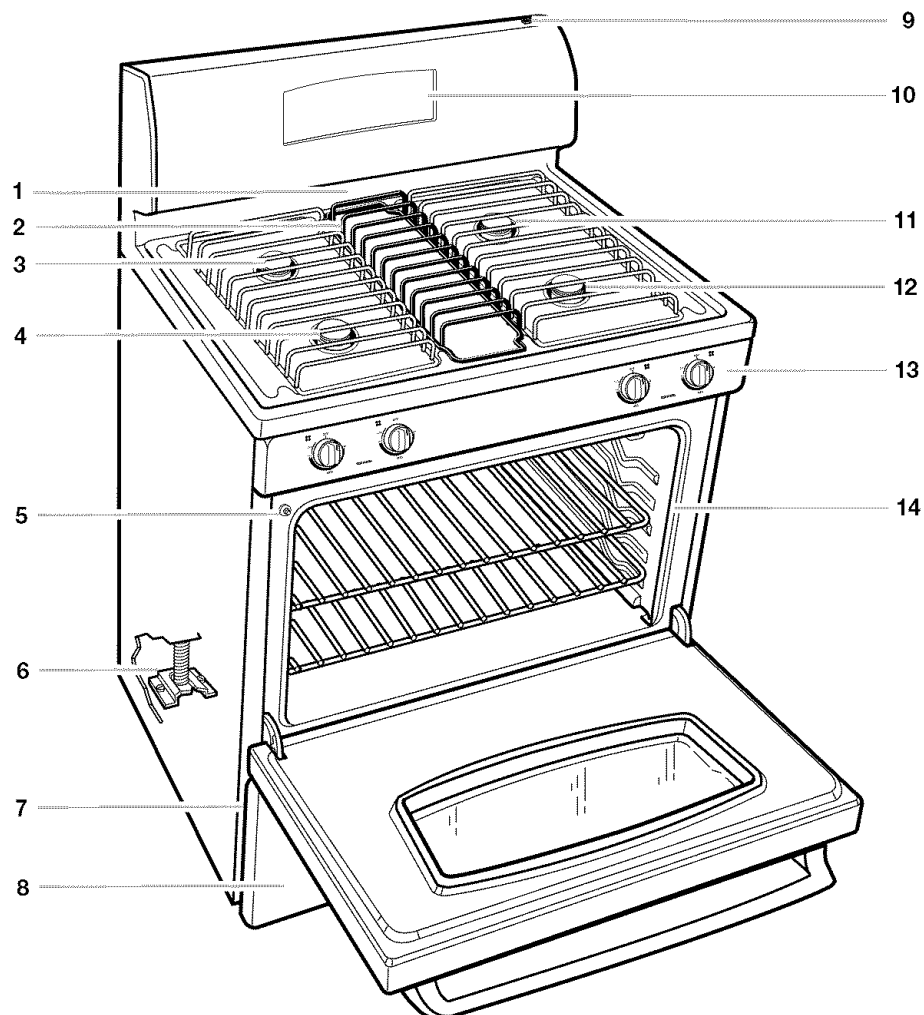
Este manual abarca varios modelos distintos. La estufa que usted ha adquirido puede tener algunas o todas las piezas que se enumeran. Las ubicaciones y aspecto de las características que aquí se ilustran quizás no coincidan con su modelo.

Tablero de control de la superficie de cocción



- 1. Indicador del quemador exterior
- 2. Perilla de control del quemador izquierdo trasero
- 3. Perilla de control del quemador izquierdo delantero
- 4. Perilla de control del quemador derecho trasero
- 5. Perilla de control del quemador derecho delantero

Estufa



- 1. Ducto de escape del horno
- 2. Parrilla central (en algunos modelos)
- 3. Quemador exterior izquierdo trasero y parrilla
- 4. Quemador exterior izquierdo delantero y parrilla
- 5. Interruptor automático de luz del horno
- 6. Soporte antivuelco
- 7. Placa del número de modelo y de serie (detrás del lado izquierdo de la puerta del asador)
- 8. Puerta del asador
- 9. Interruptor manual de luz del horno
- 10. Control electrónico del horno
- 11. Quemador exterior derecho trasero y parrilla
- 12. Quemador exterior derecho delantero y parrilla
- 13. Tablero de control de la superficie de cocción
- 14. Junta de la puerta

USO DE LA SUPERFICIE DE COCCIÓN

Controles de la superficie de cocción

⚠ ADVERTENCIA



Peligro de Incendio

No permita que la llama del quemador extienda más allá que la orilla de la cacerola.

Apague todas las perillas de los controles cuando no esté cocinando.

No seguir estas instrucciones puede ocasionar la muerte o incendio.

Los encendedores eléctricos encienden automáticamente los quemadores exteriores al girar las perillas de control hacia LITE (Encendido).

Antes de fijar una perilla de control, coloque el utensilio de cocina lleno en la parrilla. No ponga a funcionar un quemador con un utensilio de cocina vacío o si la parrilla está libre.

Para fijar la temperatura del quemador:

- Oprima y gire la perilla a la izquierda hacia LITE.
Los cuatro quemadores exteriores harán un chasquido pero sólo el quemador cuya perilla de control esté en LITE producirá una llama.
- Gire la perilla hacia cualquier posición entre HIGH (alto) y LOW (bajo). El chasquido parará. Use el cuadro siguiente como guía para fijar los niveles de calor.

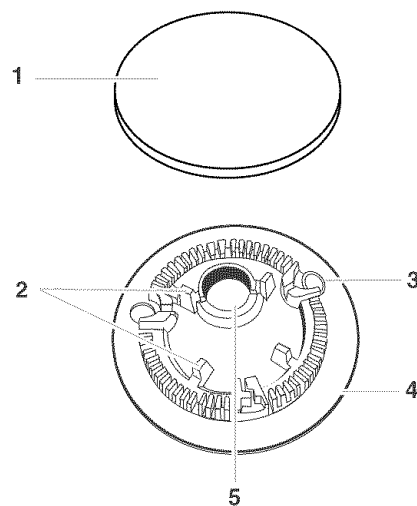
AJUSTE	USO RECOMENDADO PARA
LITE (encendido)	<ul style="list-style-type: none"> Encender el quemador.
HI (alto)	<ul style="list-style-type: none"> Comenzar a cocinar los alimentos. Hacer hervir un líquido.
MED (medio)	<ul style="list-style-type: none"> Mantener un hervor rápido. Dorar rápidamente los alimentos. Freír o sofreír los alimentos. Preparar sopas y salsas. Guisar o cocer al vapor los alimentos.
LO (bajo)	<ul style="list-style-type: none"> Mantener los alimentos calientes. Derretir chocolate o manteca. Dejar hervir a fuego lento.

Cortes de corriente

En el caso de un corte de corriente prolongado, se pueden encender los quemadores exteriores manualmente. Sostenga un cerillo encendido cerca del quemador y gire la perilla a la izquierda hacia LITE. Después de que el quemador se encienda, gire la perilla al ajuste deseado.

RECUERDE: Cuando se esté usando la estufa o (en algunos modelos) durante el ciclo de auto limpieza, toda la superficie de cocción se calienta.

Quemadores exteriores sellados

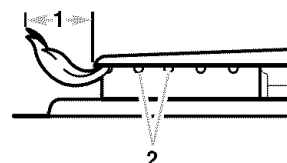


- Tapa del quemador
- Espigas de alineación
- Encendedor
- Quemador
- Abertura del tubo de gas

IMPORTANTE: No obstruya el flujo de aire de ventilación y combustión alrededor de los bordes de la parrilla del quemador.

Tapa del quemador: Mantenga siempre la tapa del quemador en su lugar cuando use un quemador exterior. Una tapa de quemador limpia ayudará a prevenir un encendido inadecuado y una llama desigual. Limpie siempre la tapa del quemador después de un derrame y como rutina quite las tapas y límpielas de acuerdo con la sección "Limpieza general".

Abertura del tubo de gas: El gas debe fluir con libertad a través de la abertura del tubo de gas para que el quemador se encienda adecuadamente. Mantenga esta área libre de suciedad y no permita que derrames, alimentos, productos de limpieza o cualquier otro material se introduzca en la abertura del tubo de gas. Use siempre la tapa del quemador para protegerla de derrames.



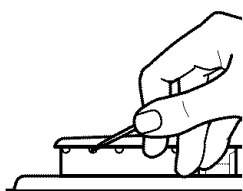
- 1-1½ pulg. (25-38 mm)
- Orificios del quemador

Orificios del quemador: Verifique de vez en cuando que las llamas del quemador sean del tamaño y forma apropiada tal como se ilustra a continuación. Una buena llama es de color azul, no amarillo. Mantenga esta área libre de suciedad y no permita que los derrames, alimentos, productos de limpieza o cualquier otro material se introduzca en los orificios del quemador.

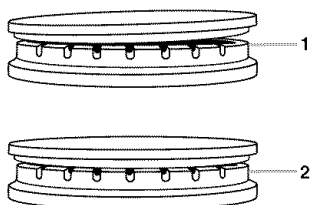
Para limpiar:

IMPORTANTE: Antes de limpiar, asegúrese de que todos los controles estén apagados y que el horno y la superficie de cocción estén fríos. No use limpiadores de horno, blanqueador o productos para quitar óxido.

1. Quite la tapa del quemador de la base del mismo y limpie de acuerdo con la sección "Limpieza general".
2. Limpie la abertura del tubo de gas con un paño húmedo.
3. Limpie los orificios obstruidos del quemador con un alfiler recto tal como se ilustra. No agrande ni distorsione el orificio. No use palillos de dientes de madera. Si el quemador necesita ser regulado, llame a un técnico competente para darle servicio.



4. Vuelva a colocar la tapa del quemador, asegurándose de que las espigas de alineación estén debidamente alineadas con la tapa del quemador. En algunos modelos, cada tamaño de tapa y base del quemador tiene una letra correspondiente "A," "B," "C" y "D." Para asegurar un ajuste apropiado y que el quemador encienda, verifique que la tapa del quemador coincida con la letra correspondiente en la base del mismo.



1. Incorrecto
2. Correcto

5. Encienda el quemador. Si el quemador no se enciende, verifique la alineación de la tapa. Si el quemador todavía no se enciende, no intente reparar el quemador sellado usted mismo; póngase en contacto con un especialista en reparación calificado.

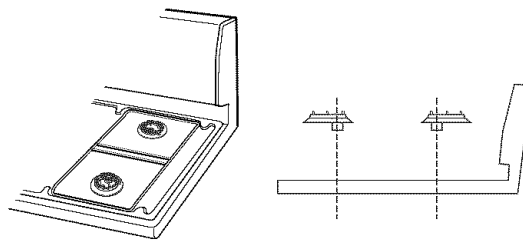
Rotación de los quemadores

Los quemadores del lado derecho pueden girar 180° para reducir la distancia entre los quemadores delanteros y traseros. Esto permite una mejor distribución del calor al usar utensilios o planchas rectangulares.

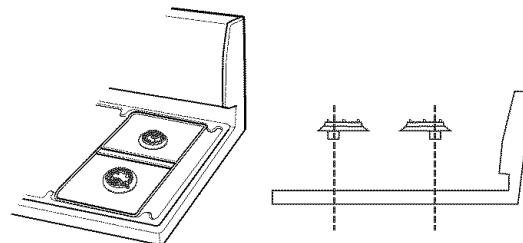
Para rotar los quemadores:

1. Asegúrese de que los quemadores estén fríos antes de comenzar la rotación.
2. Retire las parrillas del lado derecho y las tapas de los quemadores.

3. Levante los quemadores de la superficie de cocción, tal como se ilustra.



4. Gire los quemadores 180°, tal como se ilustra.



5. Vuelva a colocar los quemadores con el orificio grande sobre la abertura del tubo de gas, y el orificio pequeño sobre el encendedor. Vea la sección "Quemadores exteriores sellados" para obtener la descripción de las partes del quemador. Oprima el quemador hacia abajo y alinéelo con la superficie de cocción.
6. Vuelva a colocar las tapas del quemador y las parrillas en su lugar.

Enlatado casero

Al preparar enlatados durante períodos prolongados, alterne el uso de las áreas de cocción exteriores, elementos o quemadores exteriores entre cada lote. Esto da tiempo para que las áreas usadas recientemente se enfríen.

- Centre el envasador en la parrilla o el área o elemento de cocción exterior más grande. Los envasadores no deben extenderse más de 1 pulg. (2,5 cm) fuera del área de cocción.
- No coloque el envasador sobre dos áreas de cocción exteriores, elementos o quemadores exteriores a la vez.
- En modelos con cerámica vitrificada, use únicamente envasadores de fondo llano.
- En modelos con elementos en espiral, se recomienda la instalación de un equipo para envasar. De no instalarlo, la duración del elemento en espiral se acortará. Vea la sección "Ayuda o servicio técnico" para obtener las instrucciones de cómo pedirlo.
- Para mayor información, póngase en contacto con la U.S. Government Agricultural Department Extension Office (Oficina de Extensión del Departamento de Agricultura del Gobierno de los EE.UU.). En Canadá, póngase en contacto con la oficina de Agricultura Canadá. Las compañías que fabrican productos para enlatado casero también pueden ayudarle.



Utensilios de cocina

IMPORTANTE: Nunca deje utensilios de cocina vacíos encima de un área de cocción exterior, elemento o quemador exterior caliente.

Los utensilios de cocina ideales deben tener un fondo plano, lados rectos, una tapa que encaje bien y el material debe ser de un espesor mediano a grueso.

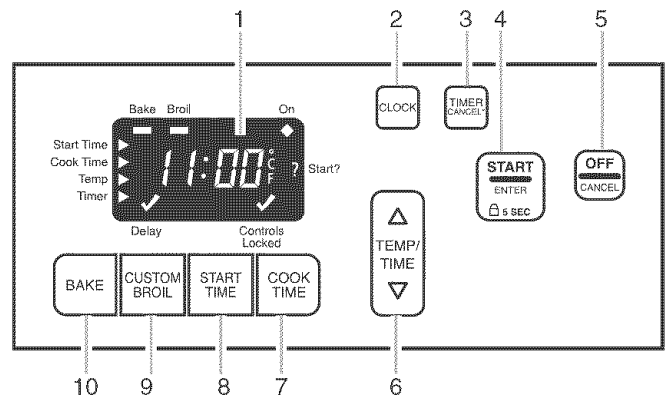
Las superficies ásperas pueden arañar la superficie de cocción. El aluminio y el cobre pueden emplearse como núcleo o base en los utensilios de cocina. Sin embargo, al ser usados como base, pueden dejar marcas permanentes en la superficie de cocción o las parrillas.

El material de los utensilios de cocina es un factor que repercute en la rapidez y uniformidad en que se transmite el calor, lo cual afecta los resultados de cocción. Un acabado antiadherente tiene las mismas características de su material base. Por ejemplo, utensilios de aluminio con un acabado antiadherente tendrán las propiedades del aluminio.

Use el siguiente cuadro como guía respecto a las características del material de los utensilios de cocina.

UTENSILIOS DE COCINA	CARACTERÍSTICAS
Aluminio	<ul style="list-style-type: none"> Calienta rápida y uniformemente. Adecuado para todo tipo de cocción. Espesor mediano o grueso es mejor para la mayoría de tareas culinarias.
Hierro fundido	<ul style="list-style-type: none"> Calienta lenta y uniformemente. Buena para dorar y freír. Mantiene el calor para una cocción lenta.
Cerámica o cerámica vitrificada	<ul style="list-style-type: none"> Siga las instrucciones del fabricante. Calienta lentamente pero no uniformemente. Resultados ideales en ajustes de fuego bajo a mediano.
Cobre	<ul style="list-style-type: none"> Calienta muy rápidamente y uniformemente.
Loza de barro	<ul style="list-style-type: none"> Siga las instrucciones del fabricante. Use en ajustes de calor bajo.
Acero o hierro fundido esmaltado de porcelana	<ul style="list-style-type: none"> Vea acero inoxidable o hierro fundido.
Acero inoxidable	<ul style="list-style-type: none"> Calienta rápidamente pero no uniformemente. Un centro o base de aluminio o cobre sobre el acero inoxidable proporciona un calor uniforme.

CONTROL ELECTRÓNICO DEL HORNO



1. Pantalla del horno
2. Reloj
3. Temporizador/Cancelar
4. Inicio/Ingreso (Bloqueo del control)
5. Apagado/Anulado
6. Temperatura/Hora
7. Tiempo de cocción
8. Hora de inicio
9. Asado al gusto
10. Hornear

Pantalla

Al conectar la electricidad al electrodoméstico por primera vez, aparecerá en la pantalla "PF". Presione OFF para cancelarlo.

Cuando en cualquier otra ocasión aparece "PF" significa que ha ocurrido un corte de electricidad. Si es necesario presione "OFF" para volver a poner la hora en el reloj.

Cuando el horno está en uso, la pantalla mostrará el tiempo de precalentamiento y el ajuste de la temperatura del horno.

Cuando el horno no está en uso, la pantalla mostrará la hora del día.

Cuando use COOK TIME (tiempo de cocción) (en algunos modelos) la pantalla mostrará horas y minutos o minutos y segundos.

Luces indicadoras del horno

Las luces indicadoras están ubicadas en los cuatro lados de la pantalla. Las luces indicadoras se encienden o destellan cuando el horno está en uno de los siguientes modos: Bake (Hornear), Broil (Asar), Clean (Limpieza) [en algunos modelos], On (Encendido), Start? (Inicio?), Controls Locked (Controles bloqueados), Door Locked (Puerta bloqueada) [en algunos modelos], Delay (Retraso), Timer (Temporizador), Temp (Temperatura), Cook Time (Tiempo de cocción) o Start Time (Hora de inicio).

Start/Enter (Inicio/ingreso)

El botón START/ENTER pone en marcha cualquier función del horno a excepción del temporizador. En algunos modelos, si no se presiona dentro de los 5 segundos después de haber presionado un botón, la luz indicadora "START?" centelleará como un recordatorio. En algunos modelos "START?" aparecerá en la pantalla.

Si no se presiona dentro de un período corto de tiempo (dependiendo de su modelo) después de haber oprimido un botón, la pantalla del horno mostrará la hora del día y la función programada quedará anulada.

Off/Cancel (Apagado/anulado)

El botón OFF/CANCEL detiene cualquier función del horno a excepción del reloj, temporizador y el bloqueo de control.

Es posible que el ventilador de enfriamiento continúe funcionando después de que una función del horno haya sido cancelada, dependiendo de la temperatura del horno.

Reloj

Éste es un reloj de 12 horas y no muestra a.m. or p.m.

Para poner la hora:

Antes de poner el reloj a la hora, asegúrese de que el horno y el temporizador estén desactivados.

1. Presione CLOCK (Reloj).
 2. Presione los botones con flechas “hacia arriba” o “hacia abajo” para poner la hora del día.
 3. Presione CLOCK o START (Inicio).
-

Temporizador

El temporizador puede ser fijado en horas o minutos hasta 12 horas and 59 minutos, y hace la cuenta regresiva del tiempo fijado ya sea en horas y minutos, o minutos y segundos. El temporizador no pone el horno en marcha ni lo detiene.

Para fijar:

1. Presione TIMER (temporizador).
La luz indicadora del temporizador se encenderá.
2. Presione los botones con las flechas “hacia arriba” o “hacia abajo” para fijar la duración del tiempo de cocción.
3. Presione START/ENTER (Inicio/ingreso).
Cuando el temporizador haya terminado la cuenta regresiva, se escucharán cuatro señales audibles de un segundo.
Para que aparezca en la pantalla la hora del día en cualquier momento durante el tiempo programado de cocción, presione CLOCK una vez.
4. Presione TIMER dos veces en cualquier momento del funcionamiento del temporizador para anularlo.

Puede volver a fijar el tiempo durante la cuenta regresiva repitiendo los pasos arriba mencionados.

Bloqueo de control

El bloqueo de control cierra los botones del panel de control para prevenir el uso accidental del horno.

Cuando el control está bloqueado, sólo funcionarán los botones de CLOCK (reloj) y TIMER (temporizador).

Para bloquear y desbloquear el control: Antes de bloquear, asegúrese de que el horno y el temporizador estén apagados. Presione y sostenga START/ENTER (Inicio/ingreso) por 5 segundos. Se escuchará una sola señal audible y “LOC” y “LOCK'D” (en algunos modelos) aparecerán en la pantalla. “LOC” (bloqueo) también aparecerá en la pantalla si se presiona cualquier botón del control cuando éste está bloqueado. Para desbloquear repita el procedimiento, y “LOC” y “LOCK'D” (en algunos modelos) desaparecerán de la pantalla.

Control de temperatura del horno

IMPORTANTE: No use un termómetro para medir la temperatura del horno porque el abrir la puerta del horno y el cambio de ciclos del elemento o quemador puede dar lecturas incorrectas.

El horno proporciona temperaturas precisas. Sin embargo, quizás cocine más rápido o más lento que su horno anterior, de

modo que se puede regular la calibración de la temperatura. Se puede cambiar a Fahrenheit o Centígrados.

Un signo de menos significa que el horno estará más frío en la cifra que aparece en la pantalla. Nungún signo significa que el horno estará más caliente en la cifra que aparece en la pantalla. Use el siguiente cuadro a manera de guía.

AJUSTE °F (AJUSTE °C)	COCINA LOS ALIMENTOS
10°F (5°C)	...un poco más
20°F (10°C)	...moderadamente más
30°F (15°C)	...mucho más
-10°F (-5°C)	...un poco menos
-20°F (-10°C)	...moderadamente menos
-30°F (-15°C)	...mucho menos

Para regular la calibración de temperatura del horno:

1. Presione y sostenga BAKE 5 segundos hasta que la pantalla del horno muestre la calibración actual, por ejemplo, “0.”
 2. Presione el botón TEMP con la flecha “hacia arriba” o “hacia abajo” para aumentar o disminuir la temperatura en proporciones de 10°F (5°C). El ajuste debe fijarse entre 30°F (15°C) y -30°F (-15°C).
 3. Presione START/ENTER (Inicio/ingreso).
-

USO DEL HORNO

Los olores y el humo son normales cuando se usa las primeras veces el horno o cuando éste tiene suciedad pesada.

IMPORTANTE: La salud de algunas aves es sumamente sensible a los gases emanados. La exposición a los gases puede ocasionar la muerte de ciertas aves. Mude siempre las aves a otro cuarto cerrado y bien ventilado.

Papel de aluminio

IMPORTANTE: No forre el fondo del horno con ningún tipo de papel de aluminio, revestimiento o utensilio de cocina ya que dañaría permanentemente el acabado del fondo del horno.

- No obstruya ni tape los conductos de ventilación inferiores del horno.
 - No cubra toda la parrilla con papel de aluminio, ya que para lograr óptimos resultados de cocción el aire debe circular con libertad.
 - Para recoger los derrames, coloque papel de aluminio en la parrilla que está debajo del recipiente de hornear. Asegúrese de que el forro sea por lo menos una pulg. (2,5 cm) más grande que el recipiente de hornear y que los bordes estén doblados hacia arriba.
-

Posición de las parrillas y los utensilios para hornear

IMPORTANTE: Nunca coloque alimentos o utensilios para hornear directamente en la puerta o en el fondo del horno ya que dañará permanentemente el acabado de porcelana.

PARRILLAS

Ubique las parrillas antes de encender el horno. No retire las parrillas con los utensilios para hornear sobre ellos. Cerciórese de que las parrillas estén niveladas. Para un mejor resultado, hornee sobre una parrilla. Coloque la parrilla de tal manera que la

parte más alta del alimento a hornear quede en el centro del horno. Para mover una parrilla, júlela hasta la posición de tope, levante el borde delantero y luego sáqueala.

ALIMENTO	POSICIÓN DE LA PARRILLA
Pays congelados, asados grandes, pavos, pasteles de ángel	1 ó 2
Roscas Bundt, la mayoría de panes rápidos, panes de levadura, guisados, carnes	2
Galletas, pastelillos, panecillos, pasteles y pays	2 ó 3

UTENSILIOS PARA HORNEAR

Para la cocción uniforme, el aire caliente debe poder circular. Deje 2 pulg. (5 cm) de espacio alrededor del utensilio para hornear y las paredes del horno. Use el siguiente cuadro como guía.

NÚMERO DE CACEROLA(S)	UBICACIÓN EN LA PARRILLA
1	Centro de la parrilla.
2	Lado a lado o ligeramente en zigzag.
3 ó 4	En esquinas opuestas en cada parrilla. Cerciórese de que ningún utensilio para hornear esté directamente encima del otro.

Utensilios para hornear

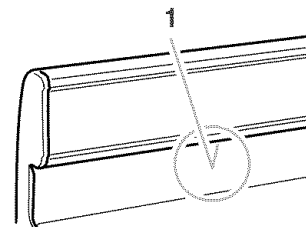
El material de los utensilios para hornear afecta los resultados de cocción. Siga las recomendaciones del fabricante y emplee el tamaño de utensilio para hornear recomendado en la receta de cocina. Use el siguiente cuadro como guía.

UTENSILIO PARA HORNEAR/ RESULTADOS	RECOMENDACIONES
Aluminio de color claro	<ul style="list-style-type: none"> ■ Use la temperatura y el tiempo recomendados en la receta.
<ul style="list-style-type: none"> ■ Cortezas doradas claras ■ Dorado uniforme 	
Aluminio oscuro y otros utensilios para hornear con acabado oscuro, mate y/o antiadherente	<ul style="list-style-type: none"> ■ Puede necesitar reducir la temperatura para hornear 25°F (15°C). ■ Use el tiempo recomendado de horneado. ■ Para pays, panes y guisados, use la temperatura recomendada en la receta. ■ Coloque la parrilla en el centro del horno.
<ul style="list-style-type: none"> ■ Cortezas bien doradas, crujientes 	

UTENSILIO PARA HORNEAR/ RESULTADOS

Moldes o bandejas para hornear termoaislados	<ul style="list-style-type: none"> ■ Colóquelos en la 3ra posición inferior del horno. ■ Puede necesitar aumentar el tiempo de horneado.
<ul style="list-style-type: none"> ■ Poco o nada de dorado en el fondo 	
Acero inoxidable	<ul style="list-style-type: none"> ■ Puede necesitar aumentar el tiempo de horneado.
<ul style="list-style-type: none"> ■ Cortezas doradas, claras ■ Dorado desigual 	
Cerámica de gres	<ul style="list-style-type: none"> ■ Siga las instrucciones del fabricante.
<ul style="list-style-type: none"> ■ Cortezas crujientes 	
Utensilios de vidrio resistente al horno, cerámica vitrificada o cerámica	<ul style="list-style-type: none"> ■ Puede necesitar reducir la temperatura para hornear 25°F (15°C).
<ul style="list-style-type: none"> ■ Cortezas doradas, crujientes 	

Ducto de escape del horno



1. Ducto de escape del horno

El ducto de escape del horno libera aire caliente y humedad del horno y no debe bloquearse ni taparse. El hacerlo dará lugar a una circulación de aire insatisfactoria, afectando los resultados de cocción y de limpieza. Nunca coloque objetos de plástico, papel u otros artículos que podrían derretirse o quemarse cerca del ducto de escape del horno.

Cómo hornear y asar

IMPORTANTE: Nunca encienda el quemador del horno durante un corte de electricidad. Nunca coloque ningún alimento o utensilio para cocinar directamente sobre la puerta o el fondo del horno. Cuando utilice el horno por primera vez, es necesario que gire cualquiera de los quemadores de la superficie para encenderlo; de esa manera se liberará el aire de las líneas de gas. Antes de hornear o asar, coloque las parrillas según la sección "Posición de las parrillas".

Para hornear o asar:

1. Presione BAKE (hornear).

Presione el botón TEMP con flechas “hacia arriba” o “hacia abajo” para ingresar una temperatura que no sea 350°F (177°C) en cantidades de 5°F (3°C). La escala del horneado puede fijarse entre 170°F y 500°F (77°C y 260°C).

2. Presione START/ENTER (Inicio/ingreso).

Después de este primer paso, puede cambiar la temperatura en cualquier momento que lo necesite, presionando el botón TEMP con flechas “hacia arriba” o “hacia abajo”. No necesitará presionar nuevamente START/ENTER. Si está horneando o asando cuando el temporizador está haciendo la cuenta regresiva, podrá ver en la pantalla la temperatura fijada para el horneado/asado presionando por 5 segundos el botón BAKE (hornear).

3. Presione OFF/CANCEL (Apagado/anulación) cuando haya terminado.

Pre calentamiento

Luego de presionar START/ENTER, el horno comenzará un ciclo de pre calentamiento a tiempo prefijado. Se encenderán las luces indicadoras de Temp (Temperatura), Bake (hornear), y On (encendido). El control electrónico del horno seleccionará automáticamente el ciclo de pre calentamiento basándose en la temperatura seleccionada. El tiempo de acondicionamiento del ciclo no variará en el caso de que se vuelva a fijar la temperatura del horno antes de que termine el ciclo. Cuando el ciclo de pre calentamiento termina y el horno está listo para usarse, se escuchará una señal audible por un (1) segundo, indicando que el ciclo de pre calentamiento ha terminado y se podrá ver en la pantalla la temperatura seleccionada.

La temperatura de pre calentamiento puede variar debido a varios factores, tales como la temperatura ambiente, y en momentos en que hay una alta demanda de electricidad en el hogar. Es normal que existan diferencias entre la temperatura indicada en la pantalla y la temperatura real del horno.

Cuando hornee alimentos con ingredientes a base de levaduras tales como levadura, polvo de hornear, bicarbonato de sodio y huevos, se recomienda esperar 10 minutos después que el tiempo de pre calentamiento haya terminado para empezar a hornear los alimentos.

Asado regular y asado al gusto

ASADOR

El asador está ubicado debajo de la puerta del horno. La charola y la rejilla del asador se deslizan hacia fuera, lo cual facilita el acceso a las mismas. Para asar siempre tenga las puertas del asador y del horno cerradas.

- No pise la puerta del asador ni ejerza peso sobre la misma cuando esté abierta.
- No pre caliente el asador antes de usarlo. Mantenga bien cerrada la puerta del asador cuando esté asando.
- No use la gaveta del asador para almacenaje.
- Use únicamente la charola y la rejilla del asador que vienen con el electrodoméstico. Éstas han sido diseñadas para drenar los jugos de la carne y evitar salpicaduras y humo.
- Para lograr un drenado adecuado, no forre la rejilla con papel de aluminio. Se puede forrar el fondo de la charola con papel de aluminio para facilitar la limpieza.
- Quite el exceso de grasa para reducir las salpicaduras. Corte la grasa restante de los bordes para evitar que se onduelen.
- Jale la parrilla del horno hasta su posición de tope antes de dar vuelta o sacar los alimentos. Use tenazas para dar vuelta la carne a fin de evitar que se pierdan los jugos. Quizás no

sea necesario dar vuelta los cortes delgados de pescado, aves o carne.

- Después de asar, saque la charola del horno al retirar los alimentos. Los goteos que queden en la charola se hornearán si se dejan en el horno caliente, dificultando aún más la limpieza.

Para un asado regular:

1. Abra la puerta del asador y deslice hacia fuera la charola y la rejilla para asar.
2. Coloque la charola y la rejilla del asador de modo que se pueda recoger la grasa en el fondo de la charola del asador.
3. Coloque los alimentos en la charola del asador. Luego coloque la charola sobre la parrilla del asador y cierre la puerta del asador.
4. Presione CUSTOM BROIL (Asado al gusto). La luz indicadora de BROIL (Asado) se encenderá.
5. Presione START/ENTER.

Las luces indicadoras de On (encendido) y de Temp (Temperatura) se encenderán. Se puede modificar el ajuste de la temperatura en cualquier etapa del ciclo de asado. Durante la etapa del asado en que el temporizador esté haciendo la cuenta regresiva, se puede ver la temperatura fijada para asar en la pantalla durante 5 segundos al presionar CUSTOM BROIL.

6. Presione OFF/CANCEL al terminar de asar.

Para un ASADO AL GUSTO:

El cambiar la temperatura durante el ciclo de asado al gusto permite el control más preciso de la cocción. Cuanto más baja sea la temperatura, más lenta será la cocción. Los cortes más gruesos y trozos de forma desigual de carne, pescado y aves podrán asarse mejor a temperaturas más bajas. Si los alimentos se están cocinando demasiado rápido, se puede bajar la temperatura al presionar el botón con flechas “hacia abajo” de TEMP.

1. Presione CUSTOM BROIL.
2. Presione los botones con flechas “hacia arriba” o “hacia abajo” de TEMP para fijar la temperatura entre 300°F (149°C) y 525°F (273°C).
3. Presione START/ENTER.
4. Presione OFF/CANCEL una vez que termine el ciclo de asado al gusto.

CUADRO PARA ASAR

Para obtener óptimos resultados, se debe girar la charola del asador en el momento en que se da vuelta los alimentos. Los tiempos indicados a continuación son únicamente pautas y quizás tengan que regularse según los alimentos y el gusto de la persona.

ALIMENTO	TIEMPO DE COCCIÓN	
	Minutos LADO 1	LADO 2
Pollo, piezas con hueso, pechugas deshuesadas	15-17 11-13	15-17 11-13
Filetes de pescado de 1/2 - 3/4 de pulg. (1,25-1,8 cm) de grosor	7-8	3-4
Salchichas alemanas	5-6	2-3

ALIMENTO	TIEMPO DE COCCIÓN	
	Minutos	
	LADO 1	LADO 2
Hamburguesas de carne molida de $\frac{3}{4}$ de pulg. (1,8 cm) de grosor, bien cocidas*	11-13	6-7
Trozo de jamón, precocido de $\frac{1}{2}$ pulg. (1,25 cm) de grosor	6-8	3-4
Chuletas de cordero de 1 pulg. (2,5 cm) de grosor	14-17	8-9
Chuletas de cerdo de 1 pulg. (2,5 cm) de grosor	19-21	9-10
Bistec de 1 pulg. (2,5 cm) de grosor, medio crudo,	10-12	5-6
Término medio	12-14	6-7
Bien cocido	16-17	8-9

*Coloque hasta 9 hamburguesas, separadas uniformemente, en la rejilla del asador.

Cocción temporizada (en algunos modelos)

! ADVERTENCIA

Peligro de Intoxicación Alimentaria

No deje sus alimentos en el horno por más de una hora antes o después de su cocción.

No seguir esta instrucción puede ocasionar intoxicación alimentaria o enfermedad.

La cocción temporizada permite fijar el encendido del horno para una hora determinada del día, cocinar durante un tiempo determinado, y/o un apagado automático. No se debe usar el inicio diferido para alimentos como panes y pasteles ya que no se hornearán muy bien.

Para fijar un tiempo de cocción (en algunos modelos):

- Coloque las parrillas del horno donde sea necesario y acomode los alimentos en la parrilla apropiada. (Vea la sección "Posición de las parrillas y de los utensilios para hornear".)
- Presione **BAKE** (hornear).
La luz indicadora de **BAKE** se encenderá.
- Fije la temperatura (opcional).
Presione los botones con flechas "hacia arriba" o "hacia abajo" de **TEMP** para aumentar o disminuir la temperatura en proporciones de 5°F (3°C) desde el ajuste prefijado de 350°F (177°C).
- Presione **COOK TIME** (tiempo de cocción).
La luz indicadora de **COOK TIME** se encenderá.
- Fije el tiempo de cocción.
Presione los botones con flechas "hacia arriba" o "hacia abajo" hasta que el tiempo de cocción correcto aparezca en la pantalla.

6. Presione START/ENTER.

Los ajustes de temperatura o de tiempo pueden modificarse en cualquier momento después de este paso, al repetir los pasos 3 ó 5.

La pantalla mostrará la cuenta regresiva del horneado / asado en horas y minutos, o en minutos y segundos, dependiendo de la duración del tiempo de cocción.

El ajuste del control **MEALTIMER** puede anularse y apagar el horno en cualquier momento al presionar **OFF/CANCEL**.

- Una vez terminado el ciclo del horneado / asado, el horno se apagará automáticamente y se oirán 4 señales audibles de un segundo.

Para fijar un tiempo de cocción con inicio diferido (en algunos modelos):

Antes de fijar el tiempo, asegúrese de que el reloj tenga la hora correcta del día. Vea la sección "Reloj."

- Coloque las parrillas del horno donde se necesite y coloque los alimentos en la parrilla apropiada. (Vea la sección "Posición de las parrillas y de los utensilios para hornear".)
- Presione **BAKE**.
La luz indicadora de **BAKE** se encenderá.
- Fije la temperatura (opcional).
Presione los botones con flechas "hacia arriba" o "hacia abajo" de **TEMP** para aumentar o disminuir la temperatura en proporciones de 5°F (3°C) desde el ajuste prefijado de 350°F (177°C).
- Presione **COOK TIME**.
La luz indicadora de **Cook Time** se encenderá.
- Fije el tiempo de cocción.
Presione los botones con flechas "hacia arriba" o "hacia abajo" hasta que el tiempo de cocción correcto aparezca en la pantalla.
- Presione **START TIME** (tiempo de inicio).
Las luces indicadoras de **START TIME** y **DELAY** (tiempo de inicio y diferido) se encenderán.
- Fije el tiempo de inicio.
Presione los botones con flechas "hacia arriba" o "hacia abajo" de **TIME** hasta que el tiempo de inicio correcto aparezca en la pantalla.
- Presione **START/ENTER**.
Los ajustes de temperatura o de tiempo pueden modificarse en cualquier momento después de este paso al repetir los pasos 3 al 8.
El ajuste de control del tiempo de cocción con inicio diferido de **MEALTIMER™** puede anularse y el horno puede apagarse en cualquier momento al presionar **OFF/CANCEL**.
- Una vez que llegue al tiempo de inicio, se oirá una señal audible de un segundo. La pantalla mostrará la cuenta regresiva del horneado / asado en horas y minutos, o en minutos y segundos, dependiendo de la duración del tiempo de cocción.
- Una vez terminado el ciclo de horneado/ asado, el horno se apagará automáticamente y se oirán 4 sonidos audibles de un segundo.

CUIDADO DE LA ESTUFA

Limpieza general

IMPORTANTE: Antes de limpiar, asegúrese de que todos los controles estén apagados y que el horno y la superficie de cocción estén fríos. Siga siempre las instrucciones que vienen en las etiquetas de los productos de limpieza. No limpie superficie interna alguna hasta que el horno se haya enfriado por completo. El pasar un paño húmedo frío en el vidrio interior de la puerta antes de que se haya enfriado por completo podría ocasionar la ruptura del vidrio.

A menos que se indique lo contrario, se sugiere primero el jabón, agua y un paño suave o una esponja.

CONTROLES DE LA SUPERFICIE DE COCCIÓN

No use productos de limpieza abrasivos, de fibra metálica o para limpiar hornos.

No remoje las perillas.

Al volver a montar las perillas, asegúrese de que las mismas estén en la posición OFF (Apagado).

En algunos modelos, no quite los obturadores que están debajo de las perillas.

- Agua y jabón o lavavajillas:

Jale las perillas en sentido recto para quitarlas del tablero de control.

TABLERO DE CONTROL

No use productos de limpieza abrasivos, estropajos de fibra de acero, paños ásperos o ciertas toallas de papel ya que podrían dañar el tablero.

- Producto para limpiar vidrios y un paño suave o esponja:

Aplique el producto para limpiar vidrios al paño suave o esponja, no lo haga directamente sobre el tablero.

SUPERFICIES EXTERIORES DE ESMALTE DE PORCELANA (en algunos modelos)

Los derrames de alimentos que contienen ácidos, tales como vinagre y tomate, deberán limpiarse tan pronto se enfríe el electrodoméstico. Estos derrames pueden afectar el acabado.

- Producto para limpiar vidrios, producto de limpieza líquido suave o estropajo no abrasivo:

Limpie cuidadosamente alrededor de la placa con el número de modelo y de serie porque el refregar puede borrar los números.

PARRILLAS Y TAPAS REVESTIDAS DE PORCELANA

Los derrames de alimentos que contienen ácidos tales como vinagre y tomate se deben limpiar tan pronto la superficie de cocción, las parrillas y las tapas se hayan enfriado. Estos derrames pueden afectar el acabado.

Para evitar que se piquen, no golpee las parrillas y las tapas entre sí o con superficies duras como utensilios de cocina de hierro fundido.

No vuelva a montar las tapas en los quemadores mientras estén mojados.

No las limpie en lavavajillas.

- Estropajo de plástico no abrasivo y producto de limpieza ligeramente abrasivo:

Limpie tan pronto la superficie de cocción, las parrillas y las tapas se hayan enfriado.

QUEMADORES EXTERIORES

Modelos con quemadores sellados

Vea la sección “Quemadores exteriores sellados.”

Modelos con quemadores abiertos

Vea la sección “Quemadores exteriores.”

CHAROLA Y REJILLA PARA ASAR

No las limpie en el ciclo de autolimpieza.

- Producto de limpieza ligeramente abrasivo:
Refriegue con un estropajo húmedo.
- Solución de ½ taza (125 mL) de amoníaco por un galón (3,75 L) de agua:

Remoje 20 minutos, luego refriegue con un estropajo o una esponja de fibra metálica.

- Producto para limpiar hornos:

Siga las instrucciones de la etiqueta del producto.

Sólo esmalte de porcelana, no cromo

- Lavavajillas

CAVIDAD DEL HORNO

Los derrames de alimentos deberán limpiarse cuando el horno se enfríe. A altas temperaturas, la reacción química de los alimentos con la porcelana puede dar lugar a manchas, corrosión, picaduras o tenues puntos blancos.

En algunos modelos, se puede quitar la puerta del horno. Vea primero “Puerta del horno”.

- Esponja de fibra metálica
- Limpiador para horno:

Siga las instrucciones de la etiqueta del producto. No deje que el limpiador entre en contacto con la junta, el termostato o las superficies exteriores. Cubra el piso con periódico.

VIDRIO DE LA PUERTA DEL HORNO (en algunos modelos)

- Producto para limpiar vidrios y toallas de papel o estropajo de plástico no abrasivo

PARRILLA DEL HORNO Y PARRILLA PARA ASAR

- Estropajo de fibra metálica

Luz del horno

La luz del horno es un foco estándar para electrodomésticos de 40 vatios. Se encenderá cuando se abra la puerta del horno. Cuando la puerta del horno esté cerrada, presione el interruptor manual de la luz del horno que está en la parte de atrás para encender y apagar.

Antes de cambiarla, asegúrese de que el horno y la superficie de cocción estén fríos y que las perillas de control estén apagadas.

Para reemplazar:

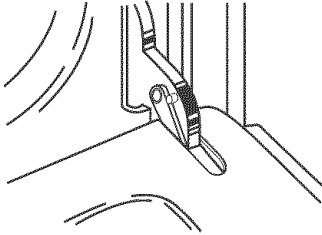
1. Desenchufe la estufa o desconecte el suministro de energía.
2. Gire el foco a la izquierda para sacarla del casquillo.
3. Reemplace el foco.
4. Enchufe la estufa o reconecte el suministro de energía.

Puerta del horno

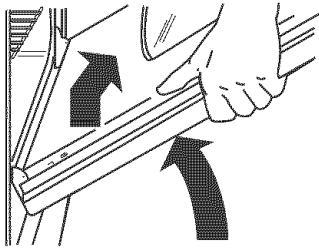
Para uso normal de la estufa, no se aconseja quitar la puerta del horno. Sin embargo, de ser necesario, siga estas instrucciones. La puerta del horno es pesada.

Para quitarla:

1. Abra la puerta del horno. Introduzca los pernos de la bisagra que se incluyen con su estufa, en ambos ganchos de suspensión de la bisagra. No quite los pernos mientras esté sacando la puerta de la estufa.



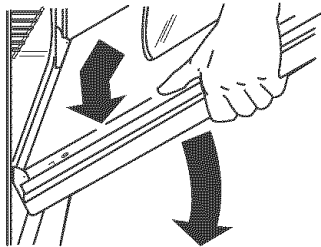
2. Sujete ambos lados de la parte delantera de la puerta con sus dedos y use sus pulgares en la superficie interior.



3. Jale la puerta hacia arriba y luego hacia usted. No quite los pernos de la bisagra hasta que la puerta haya sido colocada de nuevo en la estufa.

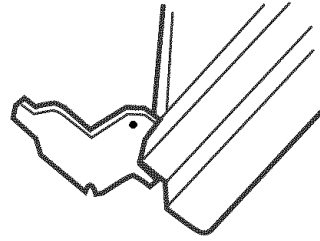
Para volver a colocarla:

1. Sujete ambos lados de la parte delantera de la puerta con sus dedos y use sus pulgares en la superficie interior.



2. Sostenga la puerta del horno de modo que el borde superior de cada ranura de la puerta esté en posición horizontal. Introduzca la bisagra de la puerta en las ranuras de la bisagra.

3. Incline la parte superior de la puerta hacia la estufa. Inserte la bisagra inferior de la puerta en la orilla del marco frontal.



4. Abra la puerta completamente y quite los pernos de la bisagra. Guarde los pernos para uso futuro.
5. Cierre la puerta lentamente para asegurarse de que la puerta tenga el espacio apropiado a los lados y que las bisagras hayan encajado adecuadamente.

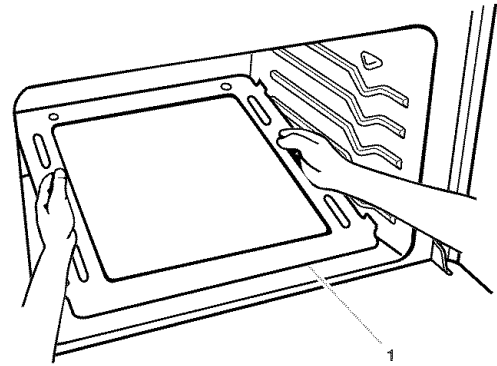
Para quitar el fondo del horno

Se puede quitar el panel del fondo del horno para efectuar una limpieza regular del horno.

Antes de limpiar, cerciórese de que el horno esté completamente frío.

Para quitar:

1. Retire las parrillas del horno.
2. Coloque los dedos en las ranuras del panel del fondo.



1. Borde

3. Levante la parte posterior del panel hacia arriba y hacia atrás. El borde de la parte delantera del panel deberá liberarse del marco frontal de la cavidad del horno.
4. Levante el fondo hacia arriba y hacia fuera.

Para volver a colocar:

Siga los pasos arriba indicados en orden inverso.

SOLUCIÓN DE PROBLEMAS

Pruebe primero las soluciones aquí sugeridas para evitar el costo de una visita de servicio técnico innecesaria.

Nada funciona

- **¿Se ha cableado y polarizado debidamente el contacto de suministro de energía?**
Pruebe otro contacto para verificar el cableado y la polaridad adecuados.
- **¿Está desenchufado el cable eléctrico?**
Enchúfelo en un contacto de tres terminales con debida conexión a tierra.
- **¿Se ha quemado un fusible en casa o se ha disparado el disyuntor?**
Cambie el fusible o vuelva a conectar el circuito.
- **¿Está la válvula principal o la válvula reguladora de cierre del gas en la posición apagada?**
Vea las instrucciones de instalación.
- **¿Está la estufa debidamente conectada al suministro de gas?**
Póngase en contacto con un especialista de reparaciones competente o vea las instrucciones de instalación.

Los quemadores exteriores no funcionan

- **¿Es ésta la primera vez que se usan los quemadores exteriores?**
Encienda cualquiera de las perillas de los quemadores exteriores para liberar el aire proveniente de la tubería del gas.
- **¿Se ha fijado correctamente la perilla de control?**
Oprima la perilla antes de girar a un ajuste.
- **¿Están obstruidos los orificios del quemador?**
En modelos con quemadores sellados, vea la sección "Quemadores exteriores sellados".
En modelos con quemadores abiertos, vea la sección "Quemadores exteriores".

Las llamas del quemador exterior están desiguales, amarillas y/o ruidosas

- **¿Están obstruidos los orificios del quemador?**
En modelos con quemadores sellados, vea la sección "Quemadores exteriores sellados".
En modelos con quemadores abiertos, vea la sección "Quemadores exteriores".
- **¿En modelos con tapas, están las tapas del quemador colocadas adecuadamente?**
Vea la sección "Quemadores exteriores sellados".
- **¿Está dañado el quemador?**
En modelos con tapas, revise si la tapa está torcida. Si la tapa gira libremente en una superficie plana, con la parte plana hacia abajo, la tapa está torcida. Cambie la tapa con un quemador exterior diferente para verificar el nivel de torcimiento. Reemplace la tapa que está torcida. Póngase en contacto con un especialista de reparación competente si el problema no mejora.
- **¿Está correcta la mezcla de aire/gas?**
Póngase en contacto con un técnico autorizado para verificar la mezcla de aire/gas, o vea las instrucciones de instalación.

- **¿Se está usando gas propano?**
El electrodoméstico puede haber sido convertido incorrectamente. Póngase en contacto con un especialista de reparación competente.

El quemador exterior hace estallidos

- **¿Está mojado el quemador?**
Déjelo secar.

El utensilio de cocina está desnivelado en la superficie de cocción

- **¿Está desnivelada la estufa?**
Nivele la estufa. (Vea las Instrucciones de Instalación.)
- **¿Se ha utilizado el utensilio de cocina apropiado?**
Use utensilios de cocina con fondo liso. (Vea la sección "Utensilios de cocina".)

Calor excesivo alrededor del utensilio de cocina en la superficie de cocción

- **¿Es el utensilio de cocina del tamaño apropiado?**
Use el utensilio de cocina de tamaño similar al área, elemento de cocción exterior o quemador exterior. El utensilio de cocina no debe extenderse más de una pulg. (2,5 cm) fuera del área de cocción.
- **¿Se han girado los quemadores exteriores del lado derecho uno frente al otro?**
Vea la sección "Rotación de los quemadores".

El horno no funciona

- **¿Se ha cableado y polarizado debidamente el contacto de suministro de energía?**
Pruebe otro contacto para verificar si el cableado y la polaridad son los adecuados.
- **¿Es ésta la primera vez que usa el horno?**
Encienda cualquiera de las perillas del quemador exterior para liberar el aire proveniente de la tubería de gas.
- **¿Se ha fijado debidamente el control electrónico del horno?**
Vea la sección "Control electrónico del horno".
- **¿Se ha fijado el Bloqueo del horno (en algunos modelos)?**
Vea la sección "Bloqueo del horno".
- **¿Está la tubería principal o la válvula reguladora de cierre del gas en la posición de apagado?**
Póngase en contacto con un técnico autorizado o vea las Instrucciones de instalación.

El horno hace un ruido sordo acompasado cuando está en uso

- Esto es normal y ocurre cuando el quemador del horno cambia de ciclo para mantener la temperatura fijada del horno.

Las llamas del quemador del horno están desiguales, amarillas o ruidosas

- **¿Se está usando gas propano?**
El electrodoméstico puede haber sido convertido incorrectamente. Póngase en contacto con un especialista de reparación competente.
- **¿Está correcta la mezcla de aire/gas?**
Póngase en contacto con un técnico autorizado para verificar la mezcla de aire/gas, o vea las instrucciones de instalación.

La temperatura del horno es demasiado alta o demasiado baja

- **¿La calibración de temperatura del horno necesita un ajuste?**
Vea la sección "Control de temperatura del horno".

La pantalla muestra mensajes

- **¿Está la pantalla mostrando "PF"?**
Ha ocurrido un corte de electricidad. Presione OFF/CANCEL (Apagado/Anulado) para despejar la pantalla. Vuelva a poner el reloj a la hora de ser necesario. Vea la sección "Reloj".
- **¿Está la pantalla mostrando "F" seguida de un número?**
Presione OFF/CANCEL para despejar la pantalla. Si vuelve a aparecer el código "F", póngase en contacto con un especialista en reparación competente.
- **¿Se ha fijado un inicio diferido?**
Vea la sección "Cocción temporizada".

Los resultados de cocción de la superficie de cocción no son los que se esperaba

- **¿Se está usando el utensilio de cocina apropiado?**
Vea la sección "Utensilios de cocina".
- **¿Se ha fijado la perilla de control en el nivel apropiado de calor?**
Vea la sección "Controles de la superficie de cocción".

Los resultados del horneado no son los que se esperaba

- **¿Se ha precalentado el horno?**
Espere que el horno se precaliente antes de colocar los alimentos en él.
- **¿Se han ubicado las parrillas adecuadamente?**
Vea la sección "Posición de las parrillas y los utensilios para hornear".
- **¿Hay circulación de aire apropiada alrededor del utensilio para hornear?**
Vea la sección "Posición de las parrillas y los utensilios para hornear".
- **¿Se ha distribuido la masa en forma pareja en la bandeja para hornear?**
Revise para asegurarse de que la masa esté nivelada en la bandeja para hornear.
- **¿Está nivelado el electrodoméstico?**
Nivele el electrodoméstico. Vea las instrucciones de instalación.
- **¿Están los artículos horneados demasiado dorados en el fondo?**
Disminuya la temperatura del horno de 10°F a 30°F (5°C a 15°C).
- **¿Se están dorando los bordes de las cortezas antes de tiempo?**
Use papel de aluminio para cubrir el borde de la corteza.

Horneado o asado lento

- **¿Se ha precalentado el horno?**
Espere que el horno se caliente antes de colocar los alimentos en él.
- **¿Hay circulación de aire apropiada alrededor del utensilio para hornear?**
Vea la sección "Posición de las parrillas y los utensilios para hornear".
- **¿Se está usando un lapso de tiempo apropiado?**
Aumente el tiempo para hornear o asar.
- **¿Se ha fijado la temperatura apropiada?**
Aumente la temperatura 25°F (15°C).
- **¿Se ha abierto la puerta del horno durante la cocción?**
Abrir el horno para mirar los alimentos disminuye el calor del horno y puede prolongar los tiempos de cocción.

El quemador del asador no se enciende

- **¿Se ha averiado el sistema del encendido?**
Póngase en contacto con un técnico autorizado para cambiarlo.
- **¿Se ha quemado el fusible de la casa o se ha disparado el disyuntor?**
Cambie el fusible o vuelva a conectar el circuito.

AYUDA O SERVICIO TÉCNICO

Antes de solicitar asistencia o servicio, por favor consulte la sección "Solución de Problemas." Esto le podría ahorrar el costo de una visita de servicio técnico. Si considera que aún necesita ayuda, siga las instrucciones que aparecen a continuación.

Cuando llame, tenga a mano la fecha de compra y el número completo del modelo y de la serie de su electrodoméstico. Esta información nos ayudará a atender mejor a su pedido.

Si necesita piezas de repuesto

Si necesita pedir piezas de repuesto, recomendamos que use únicamente piezas especificadas de fábrica FSP®. Estas piezas encajarán bien y funcionarán bien ya que están confeccionadas con la misma precisión empleada en la fabricación de cada electrodoméstico nuevo de WHIRLPOOL®.

Para encontrar piezas de repuesto FSP® en su localidad, llame a nuestro Centro de interacción del cliente o al centro de servicio designado por Whirlpool más cercano a su localidad.

- Recomendaciones con distribuidores locales, compañías que dan servicio y distribuidores de partes para reparación. Los técnicos de servicio designados por Whirlpool están entrenados para cumplir con la garantía de producto y ofrecer servicio una vez que la garantía termine, en cualquier lugar de los Estados Unidos.

Para localizar a una compañía de servicio designada por Whirlpool en su área, también puede consultar la sección amarilla de su guía telefónica.

Para obtener más asistencia

Si necesita asistencia adicional, puede escribir a Whirlpool Corporation con sus preguntas o dudas a:

Whirlpool Brand Home Appliances
Customer Interaction Center
553 Benson Road
Benton Harbor, MI 49022-2692

Favor de incluir un número telefónico de día en su correspondencia.

En los EE.UU.

Llame al Centro de interacción del cliente de Whirlpool sin costo alguno al: **1-800-253-1301**.

Nuestros consultores ofrecen asistencia con respecto a:

- Características y especificaciones de nuestra línea completa de electrodomésticos.
- Información sobre instalación.
- Procedimiento para el uso y mantenimiento.
- Accesorios y venta de piezas para reparación.
- Asistencia especializada para el consumidor (habla hispana, problemas de audición, visión limitada, etc.).

En Canadá

Para preguntas relacionadas con el producto, sírvase llamar al número gratuito del centro de interacción del cliente de Whirlpool Canada Inc.: **1-800-461-5681**. De lunes a viernes de 8:00 AM a 6:00 PM (hora estándar del este). Los sábados, de 8:30 AM a 4:30 PM (hora estándar del este).

Nuestros consultores ofrecen asistencia con respecto a:

- Características y especificaciones de nuestra línea completa de electrodomésticos.
- Recomendaciones con distribuidores locales.

Para obtener piezas, accesorios y servicio en Canadá

Llame al **1-800-807-6777**. Los técnicos de servicio designados por Whirlpool Canada Inc. están capacitados para hacer cumplir con la garantía del producto y ofrecer servicio una vez que la garantía termine, en cualquier lugar de Canadá.

Para obtener más asistencia

Si necesita asistencia adicional, puede escribir a Whirlpool Canada Inc. con cualquier pregunta o duda a:

Customer Interaction Center
Whirlpool Canada Inc.
1901 Minnesota Court
Mississauga, Ontario L5N 3A7

Favor de incluir un número telefónico de día en su correspondencia.

GARANTÍA PARA SUPERFICIE DE COCCIÓN, HORNO EMPOTRADO Y ESTUFA DE GAS WHIRLPOOL®

GARANTÍA TOTAL DE UN AÑO

Durante un año a partir de la fecha de compra, siempre y cuando se dé al electrodoméstico un uso y mantenimiento de conformidad con las instrucciones adjuntas o provistas con el producto, Whirlpool Corporation se hará cargo del costo de las piezas de repuesto FSP® y del gasto del trabajo de reparación para corregir defectos en los materiales o en la mano de obra. El servicio deberá ser proporcionado por una compañía de servicio designada por Whirlpool.

GARANTÍA LIMITADA DEL SEGUNDO AL QUINTO AÑO

Para cocinas de gas y superficies de cocción de gas, desde el segundo hasta el quinto año a partir de la fecha de compra, siempre y cuando se dé al electrodoméstico un uso y mantenimiento de conformidad con las instrucciones adjuntas o provistas con el producto, Whirlpool Corporation se hará cargo del costo de las piezas de repuesto FSP® de cualquier quemador de gas para corregir defectos en los materiales o en la mano de obra. El servicio deberá ser proporcionado por una compañía de servicio designada por Whirlpool.

Whirlpool Corporation no se hará cargo de los gastos ocasionados por:

1. Visitas de servicio técnico para corregir la instalación de su electrodoméstico, para enseñarle a usar su electrodoméstico, para cambiar fusibles domésticos o para corregir la instalación eléctrica de la casa, o para cambiar focos de luz que están al alcance del propietario.
2. Reparaciones cuando su electrodoméstico ha sido empleado para fines ajenos al uso doméstico normal de una familia.
3. Recogida y entrega. Este producto está diseñado para ser reparado en el hogar.
4. Daños causados por accidente, alteración, uso indebido, abuso, incendio, inundación, instalación incorrecta, actos fortuitos, o el empleo de productos no aprobados por Whirlpool Corporation o Whirlpool Canada Inc.
5. Reparaciones de piezas o sistemas provocadas por modificaciones no autorizadas del electrodoméstico.
6. Piezas de repuesto o gastos de reparación para electrodomésticos que se empleen fuera de los Estados Unidos o Canadá.
7. En Canadá, gastos de viaje o de transporte para los clientes que residan en zonas remotas.
8. Cualquier costo por mano de obra durante la garantía limitada.

WHIRLPOOL CORPORATION Y WHIRLPOOL CANADA INC. NO SE RESPONSABILIZARÁN POR DAÑOS INCIDENTALES O CONSECUENTES.

Algunos estados o provincias no permiten la exclusión o limitación de daños incidentales o consecuentes, de modo que esta exclusión o limitación quizás no le corresponda. Esta garantía le otorga derechos legales específicos y es posible que usted tenga también otros derechos que pueden variar de un estado a otro o de una provincia a otra.

Esta garantía no tiene vigor fuera de los cincuenta Estados Unidos. Póngase en contacto con el distribuidor autorizado de Whirlpool para determinar si corresponde otra garantía.

Si necesita servicio técnico, vea primero la sección "Solución de Problemas" de este libro. Después de consultar la sección "Solución de Problemas", puede encontrar ayuda adicional en la sección "Ayuda o servicio técnico," o al llamar al Centro de interacción del cliente de Whirlpool al **1-800-253-1301** (gratuito) desde cualquier lugar de los EE.UU. Para obtener piezas y servicio en Canadá, sírvase llamar al **1-800-807-6777**. Para las preguntas relacionadas con el producto en Canadá, sírvase llamar al **1-800-461-5681**. 5/00

Guarde este libro y su comprobante de ventas juntos para consulta futura. Para obtener el servicio de la garantía deberá proporcionar un comprobante de compra o la fecha de instalación del electrodoméstico.

Anote la siguiente información acerca de su electrodoméstico para facilitar la obtención de asistencia o servicio si llegara a necesitarlo. Usted tendrá que saber el número completo del modelo y de la serie. Encontrará esta información en la placa / etiqueta con el número del modelo y de la serie, ubicada en su electrodoméstico como se ilustra en la sección "Piezas y características."

Nombre del distribuidor _____

Dirección _____

Número de teléfono _____

Número del modelo _____

Número de la serie _____

Fecha de compra _____

Notas

SÉCURITÉ DE LA CUISINIÈRE

Votre sécurité et celle des autres est très importante.

Nous donnons de nombreux messages de sécurité importants dans ce manuel et sur votre appareil ménager. Assurez-vous de toujours lire tous les messages de sécurité et de vous y conformer.



Voici le symbole d'alerte de sécurité.

Ce symbole d'alerte de sécurité vous signale les dangers potentiels de décès et de blessures graves à vous et à d'autres.

Tous les messages de sécurité suivront le symbole d'alerte de sécurité et le mot "DANGER" ou "AVERTISSEMENT". Ces mots signifient :

⚠ DANGER

Risque possible de décès ou de blessure grave si vous ne suivez pas immédiatement les instructions.

⚠ AVERTISSEMENT

Risque possible de décès ou de blessure grave si vous ne suivez pas les instructions.

Tous les messages de sécurité vous diront quel est le danger potentiel et vous disent comment réduire le risque de blessure et ce qui peut se produire en cas de non-respect des instructions.

AVERTISSEMENT : Pour votre sécurité, les renseignements dans ce manuel doivent être observés pour réduire au minimum les risques d'incendie ou d'explosion ou pour éviter des dommages au produit, des blessures ou un décès.

- Ne pas entreposer ni utiliser de l'essence ou d'autres vapeurs ou liquides inflammables à proximité de cet appareil ou de tout autre appareil électroménager.
- QUE FAIRE DANS LE CAS D'UNE ODEUR DE GAZ :
 - Ne pas tenter d'allumer un appareil.
 - Ne pas toucher à un commutateur électrique.
 - Ne pas utiliser le téléphone se trouvant sur les lieux.
 - Appeler immédiatement le fournisseur de gaz d'un téléphone voisin. Suivre ses instructions.
 - À défaut de joindre votre fournisseur de gaz, appeler les pompiers.
- L'installation et l'entretien doivent être effectués par un installateur qualifié, une agence de service ou le fournisseur de gaz.

La bride antibasculement

Dans les conditions de service normales, la cuisinière ne bascule pas. Elle peut cependant basculer si une force ou un poids excessif est appliqué sur la porte ouverte alors que la bride antibasculement n'est pas convenablement fixée.



⚠ AVERTISSEMENT

Risque de basculement

Un enfant ou une personne adulte peut faire basculer la cuisinière ce qui peut causer un décès.

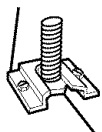
Joindre la bride antibasculement au pied arrière de la cuisinière.

Joindre de nouveau la bride antibasculement si la cuisinière est déplacée.

Voir détails dans les instructions d'installation.

Le non-respect de ces instructions peut causer un décès ou des brûlures graves aux enfants et aux adultes.

La bride antibasculement



Le pied de la cuisinière

Assurez-vous qu'une bride antibasculement est installée :

- Glisser la cuisinière vers l'avant.
- Vérifier que la bride antibasculement est bien fixée au plancher.
- Glisser de nouveau la cuisinière vers l'arrière de sorte que le pied est sous la bride antibasculement.

IMPORTANTES INSTRUCTIONS DE SÉCURITÉ

AVERTISSEMENT : Pour réduire le risque d'incendie, de choc électrique, de blessures ou de dommages lors de l'utilisation de la cuisinière, il convient d'observer certaines précautions élémentaires dont les suivantes :

■ **AVERTISSEMENT** : POUR MINIMISER LE RISQUE DE BASCULEMENT DE LA CUISINIÈRE, ELLE DOIT ÊTRE BIEN IMMOBILISÉE PAR DES DISPOSITIFS ANTIBASCULEMENT CORRECTEMENT INSTALLÉS. POUR VÉRIFIER SI LES DISPOSITIFS SONT CORRECTEMENT INSTALLÉS, GLISSER LA CUISINIÈRE VERS L'AVANT ET VÉRIFIER SI LA BRIDE ANTIBASCULEMENT EST BIEN FIXÉE AU PLANCHER, ET GLISSER LA CUISINIÈRE VERS L'ARRIÈRE POUR QUE LE PIED ARRIÈRE DE LA CUISINIÈRE SOIT SOUS LA BRIDE ANTIBASCULEMENT.

■ **MISE EN GARDE** : Ne pas remiser dans des armoires au-dessus de la cuisinière ou sur le dossier d'une cuisinière, des objets que des enfants pourraient vouloir atteindre. Les enfants pourraient se brûler ou se blesser en grimpant sur la cuisinière.

■ Installation appropriée – La cuisinière, lorsqu'elle est correctement installée, doit être reliée à la terre conformément aux codes électriques locaux ou en l'absence de codes locaux, selon le *Code électrique national (US) ANSI/NFPA 70* ou le *Code canadien des installations, Partie 1*. S'assurer que la cuisinière est correctement installée et reliée à la terre par un technicien qualifié.

■ Cette cuisinière est munie d'une fiche de liaison à la terre à trois broches pour votre protection contre les risques de choc électrique et doit être branchée directement dans une prise de courant bien reliée à la terre. Ne pas couper ni enlever la broche de liaison à la terre de cette fiche.

■ Débrancher l'alimentation électrique avant d'exécuter des réparations à l'appareil.

■ Ne jamais utiliser la cuisinière comme source de chauffage ou de réchauffage d'une pièce.

■ Des blessures peuvent survenir d'un mauvais usage des portes ou des tiroirs de l'appareil tel que se tenir debout sur la surface, se pencher ou s'asseoir sur les portes ou tiroirs.

■ Entretien – Garder l'espace autour de la cuisinière dégagé et libre de matériaux combustibles, d'essence et d'autres vapeurs et liquides inflammables.

■ Remisage dans ou sur la cuisinière – Des produits inflammables ne devraient pas être remisés dans un four ou près des éléments de surface.

■ La taille de la flamme des brûleurs de surface devrait être ajustée de sorte qu'elle ne dépasse pas le bord de l'ustensile de cuisson.

Cuisinière autonettoyante –

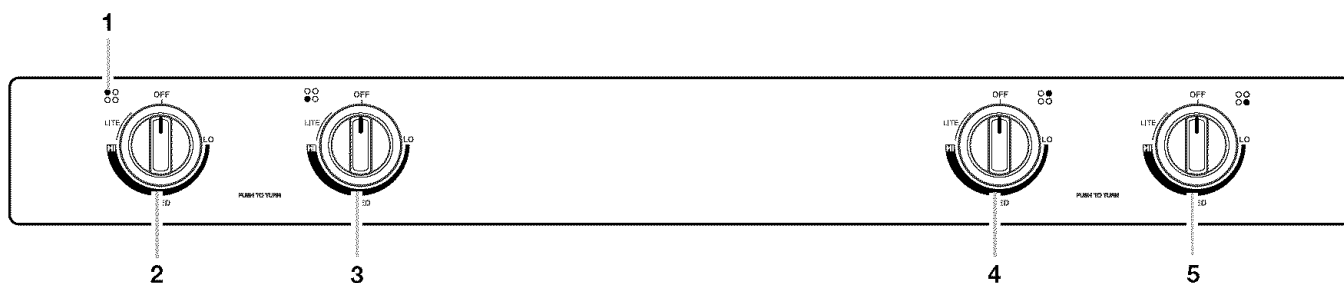
■ Avant l'autonettoyage du four – Ôter la lèchefrite et son plat et les autres ustensiles. Essuyer tous les renversements excessifs avant de mettre en marche le programme d'autonettoyage.

CONSERVEZ CES INSTRUCTIONS

PIÈCES ET CARACTÉRISTIQUES

Ce manuel concerne plusieurs modèles. La table de cuisson que vous avez achetée peut comporter quelques-uns ou tous les articles énumérés. L'emplacement et l'apparence des caractéristiques illustrées peuvent être différents de ceux de votre modèle.

Tableau de commande

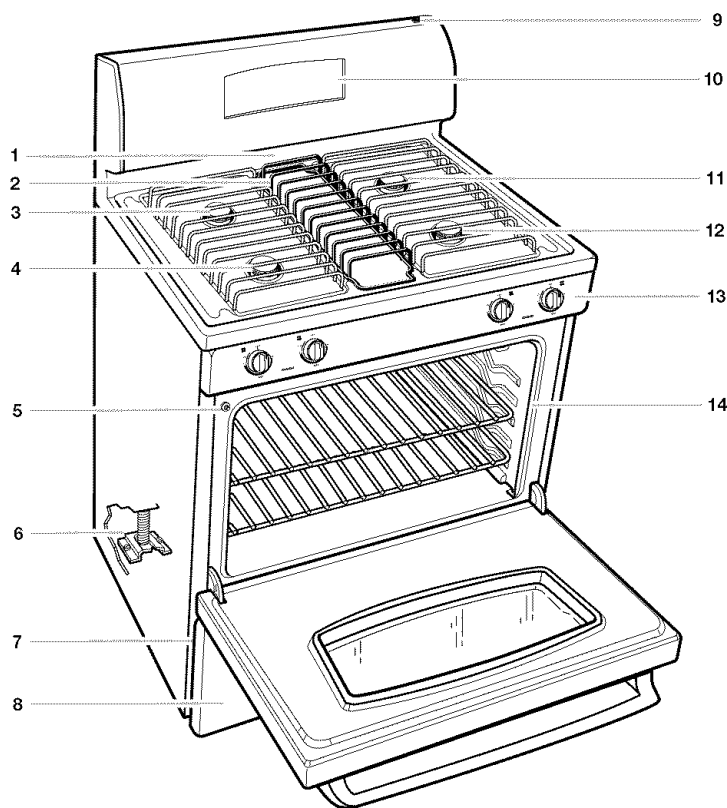


- 1. Témoin lumineux des brûleurs de surface
- 2. Bouton de commande arrière gauche

- 3. Bouton de commande avant gauche
- 4. Bouton de commande arrière droit

- 5. Bouton de commande avant droit

Cuisinière



- 1. Évent du four
- 2. Grille centrale (sur certains modèles)
- 3. Brûleur de surface et grille arrière gauche
- 4. Brûleur de surface et grille avant gauche
- 5. Commutateur automatique de la lampe du four

- 6. Bride antibasculement
- 7. Plaque signalétique (numéro de modèle et numéro de série en arrière du côté gauche de la porte du grill)
- 8. Porte du grill
- 9. Commutateur manuel de la lampe du four

- 10. Commande électronique du four
- 11. Brûleur de surface et grille arrière droit
- 12. Brûleur de surface et grille avant droit
- 13. Tableau de commande de la table de cuisson
- 14. Joint

UTILISATION DE LA TABLE DE CUISSON

Commandes de la table de cuisson

⚠ AVERTISSEMENT



Risque d'incendie

La flamme d'un brûleur ne devrait pas dépasser le bord du récipient de cuisson.

Fermer tous les réglages lorsque la cuisson est terminée.

Le non-respect de ces instructions peut causer un décès ou un incendie.

Des allumeurs électriques allument automatiquement les brûleurs de surface lorsque les boutons de commande sont tournés à LITE.

Avant de régler un bouton de commande, placer l'ustensile de cuisson rempli sur la grille. Ne pas faire fonctionner un brûleur avec un ustensile de cuisson vide ou sans ustensile de cuisson sur la grille.

Réglage de la température des brûleurs :

1. Pousser et tourner le bouton dans le sens antihoraire à LITE. Les quatre brûleurs de surface émettront un déclic. Seul le brûleur dont le bouton est tourné à LITE produira une flamme.
2. Tourner le bouton n'importe où entre HIGH et LOW. Les déclics cesseront. Utiliser le tableau suivant comme guide lors du réglage des niveaux de chaleur.

RÉGLAGE	UTILISATION RECOMMANDÉE
LITE	■ Pour allumer le brûleur.
HI	■ Pour commencer la cuisson des aliments. ■ Pour porter un liquide à ébullition.

RÉGLAGE	UTILISATION RECOMMANDÉE
MED	■ Pour maintenir une ébullition rapide. ■ Pour brunir ou saisir rapidement les aliments. ■ Pour frire ou sauter les aliments. ■ Pour cuire les soupes et les sauces. ■ Pour mijoter ou étuver les aliments.
LO	■ Pour garder les aliments chauds. ■ Pour fondre le chocolat ou le beurre. ■ Pour mijoter lentement.

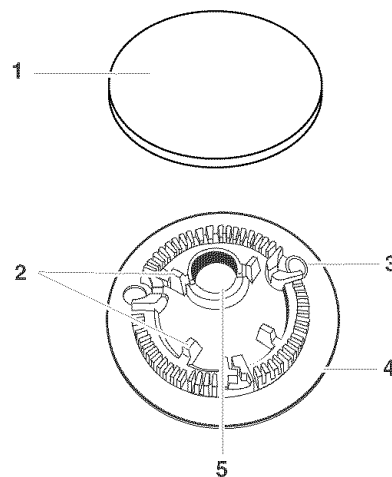
Panne de courant

Lors d'une panne de courant prolongée, on peut allumer manuellement les brûleurs de surface. Tenir une allumette allumée près d'un brûleur et tourner le bouton dans le sens antihoraire à LITE. Lorsque le brûleur s'allume, tourner le bouton au réglage.

N'OUBLIEZ PAS : Quand l'appareil est utilisé ou (sur certains modèles) durant le programme d'autonettoyage, toute la surface de la table de cuisson peut devenir chaude.

Brûleurs de surface scellés

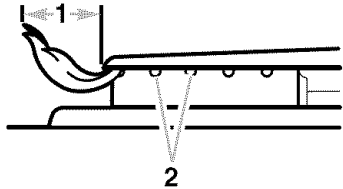
IMPORTANT : Ne pas entraver l'évacuation de l'air de combustion et de ventilation autour des bords des grilles de brûleur.



1. Chapeau de brûleur
2. Tiges d'alignement
3. Allumeur
4. Brûleur
5. Ouverture du tube d'arrivée de gaz

Chapeau de brûleur : Toujours garder le chapeau de brûleur en place lorsqu'un brûleur de surface est utilisé. Un chapeau de brûleur propre empêche le mauvais allumage et des flammes inégales. Toujours nettoyer le chapeau du brûleur après un renversement de produits et enlever et nettoyer régulièrement les chapeaux tel qu'indiqué à la section "Nettoyage général".

Ouverture du tube d'arrivée de gaz : Pour que la flamme s'allume convenablement, il faut que le gaz puisse passer librement à travers l'orifice. Garder cette zone propre et ne pas laisser les produits renversés, les aliments, les agents de nettoyage ou tout autre produit pénétrer dans l'ouverture du tube d'arrivée de gaz. La protéger contre les renversements en utilisant toujours un chapeau de brûleur.



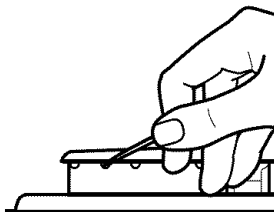
1. 1-1 1/2 po (25-38 mm)
2. Orifices de brûleur

Orifices de brûleur : Examiner occasionnellement les flammes des brûleurs pour en vérifier la taille et la forme tel qu'indiqué ci-dessus. Une bonne flamme est bleue plutôt que jaune. Garder cette zone exempte de souillures et ne pas laisser les produits renversés, les aliments, les agents de nettoyage ou autre produit pénétrer dans les orifices de brûleur.

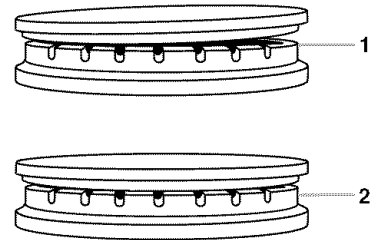
Nettoyage :

IMPORTANT : Avant le nettoyage, s'assurer que toutes les commandes sont éteintes et que le four et la table de cuisson sont froids. Ne pas utiliser de nettoyants à four, d'eau de Javel ou de décapants à rouille.

1. Enlever le chapeau de brûleur de la base du brûleur et nettoyer tel qu'indiqué à la section "Nettoyage général".
2. Nettoyer l'ouverture de tube d'arrivée de gaz avec un chiffon humide.
3. Nettoyer les orifices de brûleur obstrués avec une épingle droite tel qu'indiqué. Ne pas agrandir ni déformer l'orifice. Ne pas utiliser un cure-dents en bois. Si le brûleur a besoin d'être ajusté, contacter un technicien de réparation qualifié.



4. Réinstaller le chapeau du brûleur de la bonne taille sur le brûleur correspondant, en s'assurant que les tiges d'alignement sont bien alignées avec le chapeau du brûleur. Sur certains modèles, chacun des chapeaux de brûleur et brûleurs ont une lettre correspondante "A", "B", "C" et "D". Pour un bon encastrement et pour que le brûleur s'allume, s'assurer que le chapeau de brûleur corresponde à la bonne lettre sur le brûleur.



1. Incorrect
2. Correct

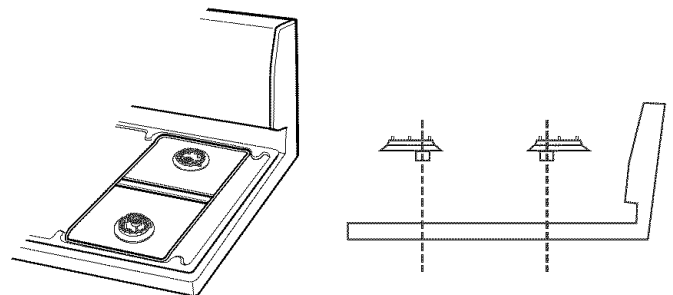
5. Allumer le brûleur. Si le brûleur ne s'allume pas, vérifier l'alignement du chapeau. Si le brûleur ne s'allume toujours pas, ne pas faire vous-même l'entretien d'un brûleur scellé. Contacter un technicien de réparation qualifié.

Rotation des brûleurs

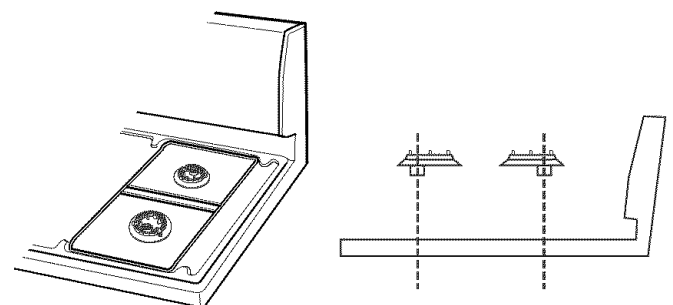
Il est possible de faire la rotation des brûleurs du côté droit à 180° pour réduire la distance entre les brûleurs avant et arrière. Cette rotation permet une meilleure distribution de la chaleur lors de l'utilisation de plats ou plaques rectangulaires.

Pour faire la rotation des brûleurs

1. S'assurer que les brûleurs sont froids avant de faire la rotation.
2. Ôter les grilles et chapeaux de brûleur du côté droit.
3. Soulever les brûleurs de la table de cuisson tel qu'indiqué.



4. Faire la rotation des brûleurs à 180° tel qu'indiqué.



5. Réinstaller les brûleurs en plaçant le gros trou au-dessus de l'orifice du tube de gaz et le petit trou au-dessus de l'allumeur. Voir la section "Brûleurs de surface scellés" pour les descriptions des pièces de brûleur. Pousser le brûleur vers le bas, à ras de la table de cuisson.
6. Réinstaller les chapeaux et grilles de brûleur.

Préparation de conserves à la maison

Lors de la préparation de conserves pendant de longues périodes, alterner l'utilisation des surfaces de cuisson, des éléments ou des brûleurs de surface entre les quantités préparées. Cette alternance permettra aux surfaces les plus récemment utilisées de refroidir.

- Centrer l'autoclave sur la grille ou la plus grande surface de cuisson ou sur le plus grand élément. Les autoclaves ne devraient pas dépasser plus de 1 po (2,5 cm) hors de la surface de cuisson.
- Ne pas placer l'autoclave sur deux surfaces de cuisson, deux éléments ou deux brûleurs de surface à la fois.
- Sur les modèles à vitrocéramique, utiliser seulement des autoclaves à fond plat.
- Sur les modèles avec éléments en spirale, l'installation d'un nécessaire de préparation de conserves est recommandée. Si ce nécessaire n'est pas installé, la vie utile de l'élément en spirale sera raccourcie. Voir "Assistance ou service" pour instructions de commande.
- Pour plus de renseignements, contacter Agriculture Canada. Les compagnies qui fabriquent des produits pour la préparation de conserves à la maison peuvent aussi offrir de l'aide.

Ustensiles de cuisson

IMPORTANT : Ne jamais laisser un ustensile de cuisson vide sur la surface d'une table de cuisson, d'un élément ou d'un brûleur de surface chauds.

Les ustensiles de cuisson idéals doivent avoir un fond plat, des parois droites, un couvercle qui ferme bien et le matériau doit être d'épaisseur moyenne à forte.

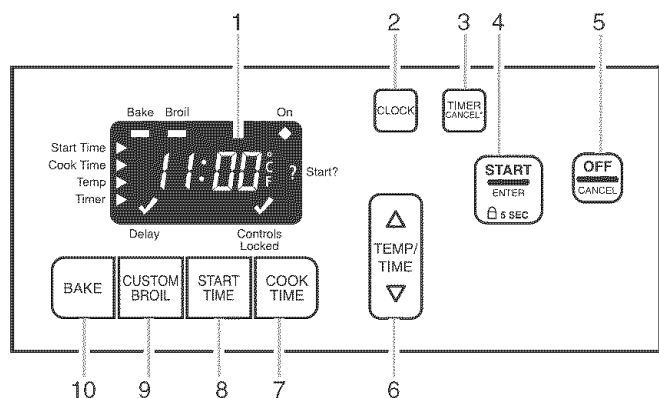
Les surfaces rudes peuvent égratigner la table de cuisson. L'aluminium et le cuivre peuvent être employés comme fond ou base dans un ustensile de cuisson et peuvent laisser des marques permanentes sur la table de cuisson ou les grilles.

Le matériau d'un ustensile de cuisson affecte la rapidité et l'uniformité de la transmission de la chaleur, et contribue aux résultats de cuisson. Un fini antiadhésif a les mêmes caractéristiques que son matériau de base. Par exemple, un ustensile de cuisson en aluminium avec un fini antiadhésif aura les propriétés de l'aluminium.

Utiliser le tableau suivant comme guide pour les caractéristiques du matériau d'ustensile de cuisson.

USTENSILE	CARACTÉRISTIQUES
Aluminium	<ul style="list-style-type: none"> ■ Chauffe rapidement et uniformément. ■ Convient à tous les genres de cuisson. ■ L'épaisseur moyenne ou forte convient le mieux pour la plupart des tâches de cuisson.
Fonte	<ul style="list-style-type: none"> ■ Chauffe lentement et uniformément. ■ Convient pour le brunissage et la friture. ■ Maintient la chaleur pour une cuisson lente.
Céramique ou vitrocéramique	<ul style="list-style-type: none"> ■ Suivre les instructions du fabricant. ■ Chauffe lentement mais inégalement. ■ Les meilleurs résultats sont obtenus sur les réglages de chaleur basse à moyenne.
Cuivre	<ul style="list-style-type: none"> ■ Chauffe très rapidement et également.
Marmite en terre cuite	<ul style="list-style-type: none"> ■ Suivre les instructions du fabricant. ■ Utiliser des réglages de température basse.
Acier émaillé en porcelaine ou fonte émaillée	<ul style="list-style-type: none"> ■ Voir acier inoxydable ou fonte.
Acier inoxydable	<ul style="list-style-type: none"> ■ Chauffe rapidement, mais inégalement. ■ Un fond ou une base d'aluminium ou de cuivre sur l'acier inoxydable procure un chauffage égal.

COMMANDE ÉLECTRONIQUE DU FOUR



1. Affichage du four
2. Horloge
3. Minuterie/Annulation
4. Mise en marche/Entrée (Verrouillage des commandes)
5. Arrêt/Annulation
6. Température/Durée
7. Durée de cuisson
8. Heure de mise en marche
9. Cuisson au gril personnalisée
10. Cuisson au four

Affichage

Lors de la mise sous tension initiale de l'appareil, "PF" apparaît sur l'affichage. Appuyer sur OFF (arrêt) pour l'effacer.

L'affichage de "PF" à tout autre moment indique qu'il y a eu une panne de courant. Appuyer sur OFF et régler de nouveau l'horloge au besoin.

Lorsque le four est en usage, l'affichage montre le temps de préchauffage, la température et le réglage du four.

Lorsque le four n'est pas en usage, l'affichage montre l'heure du jour.

Lors de l'utilisation de COOK TIME (temps de cuisson), sur certains modèles, l'affichage montrera les heures et les minutes ou les minutes et les secondes.

Témoins lumineux du four

Les témoins lumineux se trouvent des quatre côtés de l'affichage. Les témoins lumineux s'allument ou clignotent lorsque le four est sur l'un des modes suivants : Bake (cuisson au four), Broil (cuisson au gril), Clean (nettoyage) [sur certains modèles], On (marche), Start? (mise en marche?), Controls Locked (commandes verrouillées), Door Locked (porte verrouillée) [sur certains modèles], Delay (temps différé), Timer (minuterie), Temp (température), Cook Time (durée de cuisson) et Start Time (heure de mise en marche).

Mise en marche/entrée

La touche START/ENTER démarre toutes les fonctions du four à l'exception de la minuterie. Sur certains modèles, si on n'appuie pas sur cette touche dans les 5 secondes après avoir appuyé sur une touche de fonction, le témoin "START?" clignote à titre de rappel. Sur certains modèles, "START" apparaîtra sur l'affichage. Si on n'appuie pas sur cette touche dans les 5 minutes après avoir appuyé sur une touche de fonction, l'affichage du four retourne au mode de l'heure du jour et la fonction programmée est annulée.

Arrêt/annulation

La touche OFF arrête toutes les fonctions à l'exception de l'horloge, de la minuterie et du verrouillage des commandes.

Le ventilateur de refroidissement peut continuer de fonctionner après l'annulation d'une fonction du four, selon la température du four.

Horloge

Cette horloge indique 12 heures et ne montre pas a.m. ou p.m.

Réglage :

Avant le réglage, s'assurer que le four et la minuterie sont désactivés.

1. Appuyer sur CLOCK (horloge).
2. Appuyer sur les touches à flèche vers le haut ou vers le bas pour régler l'heure du jour.
3. Appuyer sur CLOCK (horloge) ou START (mise en marche).

Minuterie

La minuterie peut être réglée en heures et minutes jusqu'à concurrence de 12 heures et 59 minutes et compte à rebours la durée de cuisson réglée en heures et minutes ou en minutes et secondes. La minuterie ne met pas en marche et n'arrête pas le four.

Réglage :

1. Appuyer sur TIMER (minuterie).
Le témoin Timer s'allume.
2. Appuyer sur les touches à flèche vers le haut ou vers le bas, pour régler la durée de cuisson.
3. Appuyer sur START/ENTER (mise en marche/entrée).
À la fin du compte à rebours, quatre signaux sonores de 1 seconde se font entendre.
Pour afficher l'heure du jour en tout temps durant la cuisson minutée, appuyer une fois sur CLOCK (horloge).
4. Appuyer deux fois sur TIMER n'importe quand durant le compte à rebours pour annuler la minuterie.

La durée de cuisson peut être réglée de nouveau durant le compte à rebours en répétant les étapes ci-dessus.

Verrouillage des commandes

Le verrouillage des commandes désactive les touches du tableau de commande pour empêcher l'utilisation non intentionnelle du four.

Lorsque le tableau de commande est verrouillé, seules les touches CLOCK (horloge) et TIMER (minuterie) fonctionnent.

Pour verrouiller/déverrouiller les commandes : Avant de verrouiller, s'assurer que le four et la minuterie sont désactivés. Appuyer sur la touche START/ENTER (mise en marche/entrée) pendant 5 secondes. Un seul signal sonore se fait entendre et "LOC" ou "LOCK'D" (sur certains modèles) apparaît sur l'affichage. "LOC" apparaît également chaque fois que l'on appuie sur une touche pendant que la commande est verrouillée. Répéter pour déverrouiller et "LOC" ou "LOCK'D" (sur certains modèles) s'effacera.

Commande de température du four

IMPORTANT : Ne pas utiliser un thermomètre pour mesurer la température du four parce que l'ouverture de la porte du four et le fonctionnement intermittent de l'élément ou du brûleur peuvent donner des lectures incorrectes.

Le four fournit des températures précises; toutefois, il peut cuire plus rapidement ou plus lentement que votre ancien four, de sorte que le calibrage de la température peut être ajusté. Il peut être changé en Fahrenheit ou en Celsius.

Un signe moins veut dire que le four sera plus froid du nombre de degrés affiché. Aucun signe signifie que le four sera plus chaud du nombre de degrés affiché. Utiliser le tableau suivant comme guide.

AJUSTEMENT °F (AJUSTEMENT °C)	CUIT LES ALIMENTS
10°F (5°C)	...un peu plus
20°F (10°C)	...modérément plus
30°F (15°C)	...beaucoup plus
-10°F (-5°C)	...un peu moins
-20°F (-10°C)	...modérément moins
-30°F (-15°C)	...beaucoup moins

Pour ajuster le calibrage de la température du four :

- Appuyer sur la touche BAKE (cuisson au four) pendant 5 secondes jusqu'à ce que l'afficheur du four indique le calibrage courant, par exemple "0".
- Appuyer sur les flèches (▲) ou (▼) de TEMP pour augmenter ou diminuer la température en tranches de 10°F (8°C). L'ajustement peut être réglé entre 30°F (15°C) et -30°F (-15°C).
- Appuyer sur START/ENTER (mise en marche/entrée).

UTILISATION DU FOUR

Les odeurs sont normales lorsque le four est utilisé pour les premières fois, ou lorsqu'il est très sale.

IMPORTANT : La santé de certains oiseaux est extrêmement sensible aux émanations. L'exposition à ces émanations peut causer la mort de certains oiseaux. Toujours déplacer les oiseaux dans une autre pièce fermée et bien aérée.

Papier d'aluminium

IMPORTANT : Afin de ne pas endommager de façon permanente la finition du fond du four, ne pas recouvrir le fond du four de papier d'aluminium, de garnitures ou d'ustensiles de cuisson quelconques.

- Ne pas bloquer ou recouvrir les événements du fond du four.
- Pour assurer une bonne circulation de l'air et des résultats de cuisson optimaux, ne pas recouvrir la grille entière de papier d'aluminium.
- Pour récupérer les débordements, placer une feuille d'aluminium sur la grille sur laquelle se trouve le plat. Veiller à ce qu'elle dépasse d'environ 1 po (2,5 cm) tout autour du plat et relever les bords.

Positionnement des grilles et des ustensiles de cuisson

IMPORTANT : Ne jamais placer des aliments ou des ustensiles de cuisson directement sur la porte du four ou le fond du four. Le fini en porcelaine sera endommagé de façon permanente.

GRILLES

Placer les grilles avant d'allumer le four. Ne pas déplacer les grilles lorsque des ustensiles de cuisson se trouvent dessus. S'assurer que les grilles sont de niveau. Pour le meilleur rendement, faire cuire sur une seule grille. Placer la grille de sorte que le dessus de l'aliment soit au centre du four. Pour déplacer une grille, la tirer jusqu'à la butée d'arrêt, soulever le rebord avant et la tirer pour la sortir du four.

ALIMENTS	POSITION DE LA GRILLE
Tartes congelées, gros rôtis, dindes, gâteaux des anges	1 ou 2
Gâteaux Bundt, la plupart des pains éclairs, pains à la levure, mets en sauce et viandes	2
Biscuits, muffins, gâteaux et tartes non congelées	2 ou 3

USTENSILES DE CUISSON

L'air chaud doit pouvoir circuler autour de l'aliment pour le cuire uniformément. Laisser 2 po (5 cm) entre les ustensiles de cuisson et les parois du four. Se servir du tableau suivant comme guide.

NOMBRE D'USTENSILES	POSITION SUR LA GRILLE
1	Centre de la grille.
2	Côte à côte ou légèrement décalés.
3 ou 4	Dans les coins opposés sur chaque grille. S'assurer qu'aucun ustensile de cuisson ne se trouve directement au-dessus d'un autre.

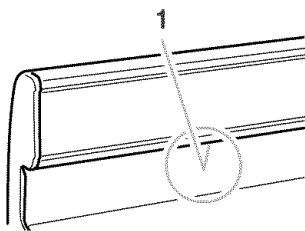
Ustensiles de cuisson

Le matériau des ustensiles de cuisson affecte les résultats de cuisson. Suivre les recommandations du fabricant et utiliser le format d'ustensiles recommandé dans la recette. Se servir du tableau suivant comme guide.

USTENSILES DE CUISSON/ RÉSULTATS	RECOMMANDATIONS
Aluminium légèrement coloré <ul style="list-style-type: none">Croûtes légèrement doréesBrunissage égal	■ Utiliser la température et la durée recommandées dans la recette.

USTENSILES DE CUISSON/ RÉSULTATS	RECOMMANDATIONS
Aluminium foncé et autres ustensiles de cuisson avec fini foncé, terne et/ou antiadhésif <ul style="list-style-type: none"> ■ Croûtes brunes, croustillantes 	<ul style="list-style-type: none"> ■ Peut nécessiter de réduire les températures de cuisson de 25°F (15°C). ■ Utiliser la durée de cuisson suggérée. ■ Pour les tartes, pains et mets en sauce, utiliser la température recommandée dans la recette. ■ Placer la grille au centre du four.
Tôles à biscuits isolées ou moules à cuisson <ul style="list-style-type: none"> ■ Brunissage faible ou non existant à la base 	<ul style="list-style-type: none"> ■ Placer à la troisième position au bas du four. ■ Peut nécessiter d'augmenter le temps de cuisson.
Acier inoxydable <ul style="list-style-type: none"> ■ Croûtes dorées, légères ■ Brunissage inégal 	<ul style="list-style-type: none"> ■ Peut nécessiter d'augmenter le temps de cuisson.
Plats en grès <ul style="list-style-type: none"> ■ Croûtes croustillantes 	<ul style="list-style-type: none"> ■ Suivre les instructions du fabricant.
Plats en verre, vitrocéramique ou céramique allant au four <ul style="list-style-type: none"> ■ Croûtes brunes, croustillantes 	<ul style="list-style-type: none"> ■ Peut nécessiter de réduire la température de cuisson de 25°F (15°C).

Évent du four



1. Évent du four

L'évent du four laisse échapper l'air chaud et l'humidité du four et ne devrait pas être obstrué ou couvert. Son obstruction nuirait à la circulation adéquate de l'air et affecterait les résultats de cuisson et de nettoyage. Ne jamais placer près de l'évent du four des produits en plastique, en papier ou autres articles qui pourraient fondre ou brûler.

Cuisson au four et rôtissage

IMPORTANT : Ne jamais allumer le brûleur du four pendant une panne de courant. Ne jamais placer des aliments ou des ustensiles de cuisson directement sur la porte du four ou le fond du four. Lors de l'utilisation initiale du four, il est nécessaire d'allumer d'abord l'un des brûleurs de surface pour libérer l'air des canalisations de gaz.

Avant la cuisson au four et le rôtissage, placer les grilles tel qu'indiqué à la section "Position des grilles".

Cuisson au four ou rôtissage :

- Appuyer sur BAKE (cuisson au four).
Appuyer sur TEMP (▲) ou (▼) pour régler une température autre que 350°F (177°C) en tranches de 5°F (3°C). La température de cuisson peut être réglée entre 170°F (77°C) and 500°F (260°C).
- Appuyer sur START/ENTER (mise en marche/entrée).
La température peut être changée en tout temps après cette étape en appuyant sur la touche TEMP (▲) ou (▼). Il n'est pas nécessaire d'appuyer de nouveau sur START/ENTER. Si vous faites la cuisson au four/rôtissage pendant que la minuterie compte à rebours, la température de cuisson au four/rôtissage peut être affichée pendant 5 secondes en appuyant sur BAKE.
- Appuyer sur OFF/CANCEL (arrêt/annulation) après avoir terminé.

Préchauffage

Après que l'on a appuyé sur START/ENTER, le four commence un préchauffage de conditionnement minuté. Les témoins HEAT (chaleur), BAKE et ON (marche) s'allument. La commande électronique du four choisit automatiquement la durée du programme de conditionnement en fonction de la température de four choisie. La durée du programme de conditionnement ne changera pas si la température est réglée de nouveau avant la fin du compte à rebours. Le préchauffage de conditionnement est terminé et le four est prêt à utiliser lorsqu'un signal sonore de 1 seconde se fait entendre, le compte à rebours prend fin et la température choisie est affichée.

Les températures de préchauffage sont affectées par divers facteurs tels que la température ambiante et les heures de pointe de consommation d'énergie. Il est normal que la température indiquée sur l'affichage diffère de la température réelle du four.

On suggère d'attendre dix minutes de plus après la durée de préchauffage de conditionnement avant de mettre les aliments au four lorsqu'on cuit des aliments qui contiennent des ingrédients de levage tels que la levure, la levure chimique, le bicarbonate de sodium et les œufs.

Cuisson au gril et cuisson au gril personnalisée

GRIL

Le gril est situé au-dessous de la porte du four. La lèchefrite et sa grille glissent vers l'extérieur pour un accès facile. Toujours faire griller avec les portes du gril et du four fermées.

- Ne pas monter ni appuyer fortement sur la porte du gril lorsqu'elle est ouverte.
- Ne pas préchauffer le gril avant l'utilisation. Fermer complètement la porte pendant la cuisson au gril.
- Ne pas utiliser le tiroir du gril pour remisage.
- Utiliser seulement la lèchefrite et la grille fournies avec l'appareil. Elles sont conçues pour laisser écouler les jus et empêcher les éclaboussures et la fumée.
- Pour un écoulement approprié, ne pas couvrir la grille de papier d'aluminium. Le fond de la lèchefrite peut être garni de papier d'aluminium pour en faciliter le nettoyage.
- Couper l'excès de gras pour réduire les éclaboussures. Entailler le gras restant pour empêcher la viande de se cintrer.
- Retirer la grille du four jusqu'à la butée d'arrêt avant de tourner ou d'enlever les aliments. Utiliser des pinces pour tourner les aliments afin d'éviter la perte de jus. Il est possible qu'il ne soit pas nécessaire de tourner les coupes très minces de poisson, volaille ou viande.
- Après la cuisson au gril, sortir la lèchefrite du four en même temps que l'aliment. Ce qui reste au fond de la lèchefrite cuira si on la laisse dans le four encore chaud, rendant le nettoyage plus difficile.

Cuisson au gril :

1. Ouvrir la porte du gril et sortir la lèchefrite et sa grille.
2. Placer la lèchefrite et sa grille de sorte que la graisse puisse s'écouler dans la partie inférieure de la lèchefrite.
3. Placer l'aliment sur la grille de la lèchefrite. Ensuite placer la lèchefrite sur la grille du gril et fermer la porte du gril.
4. Appuyer sur CUSTOM BROIL (cuisson au gril personnalisée). Le témoin BROIL s'allume.
5. Appuyer sur START/ENTER (mise en marche/entrée). Les témoins On (marche) et Temp s'allument. Le réglage de la température peut être changé en tout temps durant la cuisson au gril. Si on fait la cuisson au gril pendant que la minuterie compte à rebours, on peut voir la température réglée pour la cuisson au gril pendant 5 secondes en appuyant sur CUSTOM BROIL.
6. Appuyer sur OFF/CANCEL (arrêt/annulation) après avoir terminé la cuisson au gril.

CUISSON AU GRIL PERSONNALISÉE

Le changement de température lors de la cuisson au gril personnalisée permet un contrôle plus précis de la cuisson. Plus la température est basse, plus la cuisson est lente. Des coupes plus épaisses et des morceaux de viande, poisson et volaille de forme inégale risquent de mieux cuire à des températures de cuisson au gril plus basses. Si les aliments cuisent trop rapidement, la température de cuisson au gril peut être réduite en appuyant sur la touche TEMP (▼).

1. Appuyer sur CUSTOM BROIL (cuisson au gril personnalisée).
2. Appuyer sur les touches TEMP (▲) ou (▼) pour régler la température entre 300°F (149°C) et 525°F (273°C).
3. Appuyer sur START/ENTER (mise en marche/entrée).
4. Appuyer sur OFF/CANCEL (arrêt/annulation) après avoir terminé la cuisson au gril personnalisée.

TABLEAU DE CUISSON AU GRIL

Pour les meilleurs résultats, on devrait tourner la lèchefrite en même temps qu'on retourne les aliments. Les durées de cuisson sont citées à titre indicatif seulement; on peut les régler en fonction des aliments et goûts personnels.

ALIMENTS	DURÉE DE CUISSON minutes	
	CÔTÉ 1	CÔTÉ 2
Poulet, morceaux avec os, poitrines désossées	15-17 11-13	15-17 11-13
Filets de poisson ½-¾ po (1,25-1,8 cm) d'épaisseur	7-8	3-4
Saucisses de Francfort	5-6	2-3
Galettes de viande hachée ¾ po (1,8 cm) d'épaisseur, bien cuites*	11-13	6-7
Tranche de jambon, précuit ½ po (1,25 cm) d'épaisseur	6-8	3-4
Côtelettes d'agneau 1 po (2,5 cm) d'épaisseur	14-17	8-9
Côtelettes de porc 1 po (2,5 cm) d'épaisseur	19-21	9-10
Biftek 1 po (2,5 cm) d'épaisseur, à point saignant	10-12 12-14	5-6 6-7
à point bien cuit	16-17	8-9

*Placer jusqu'à 9 galettes, également espacées sur la grille de la lèchefrite.

Cuisson minutée (sur certains modèles)

⚠ AVERTISSEMENT

Risque d'empoisonnement alimentaire

Ne pas laisser des aliments dans un four plus d'une heure avant ou après la cuisson.

Le non-respect de cette instruction peut causer un empoisonnement alimentaire ou une maladie.

La cuisson minutée permet d'allumer le four à une certaine heure de la journée, de faire cuire pendant une durée réglée et/ou d'éteindre le four automatiquement. La mise en marche différée ne devrait pas être utilisée pour les aliments tels que pains et gâteaux car ils risquent de ne pas bien cuire.

Réglage d'un temps de cuisson (sur certains modèles) :

1. Placer les grilles du four à la hauteur désirée et placer les aliments sur la grille appropriée. (Voir la section "Positionnement des grilles et ustensiles de cuisson".)
2. Appuyer sur BAKE (cuisson au four). Le témoin BAKE s'allume.

ENTRETIEN DE LA CUISINIÈRE

Nettoyage général

IMPORTANT : Avant le nettoyage, s'assurer que toutes les commandes sont désactivées et que le four et la table de cuisson sont refroidis. Toujours suivre les instructions sur les étiquettes des produits nettoyants. N'essuyer aucune des surfaces intérieures avant que le four ne soit complètement froid. L'application d'un linge frais et humide sur la partie intérieure du hublot avant refroidissement complet pourrait entraîner le bris du verre, jour pour l'arrêt.

Du savon, de l'eau et un linge doux ou une éponge sont recommandés, à moins d'indication contraire.

BOUTONS DE COMMANDE DE LA TABLE DE CUISSON

Ne pas utiliser de la laine d'acier ou des produits de nettoyage abrasifs ou un nettoyeur pour four.

Ne pas faire tremper les boutons.

Lors de la réinstallation des boutons, s'assurer que chaque bouton est à la position d'arrêt OFF.

Sur certains modèles, ne pas enlever les joints sous les boutons.

■ Savon et eau ou lave-vaisselle :

Tirer les boutons directement hors du tableau de commande pour les enlever.

TABLEAU DE COMMANDE

Ne pas utiliser des nettoyants abrasifs, tampons en laine d'acier, chiffons de lavage rudes ou certains essuie-tout en papier. Des dommages peuvent survenir.

■ Un nettoyeur à vitre, un linge doux ou une éponge :

Appliquer le nettoyeur à vitre sur un linge doux ou une éponge, et non pas directement sur le tableau.

SURFACES EXTERNES EN ÉMAIL VITRIFIÉ (sur certains modèles)

Les renversements d'aliments contenant des produits acides, tels que vinaigre et tomates, devraient être nettoyés dès que la surface est refroidie. Ces renversements peuvent affecter le fini.

■ Nettoyeur à vitres, nettoyeur doux liquide ou tampon à récurer non abrasif :

Nettoyer doucement autour de la plaque signalétique des numéros de modèle et de série car le frottement pourrait en effacer les chiffres.

- Régler la température (optionnel)
Appuyer sur les touches TEMP (▲) ou (▼) pour élever ou abaisser la température en tranches de 5°F (3°C) par rapport au réglage de 350°F (177°C).
- Appuyer sur COOK TIME.
Le témoin COOK TIME s'allume.
- Régler le temps de cuisson.
Appuyer sur les touches (▲) ou (▼) jusqu'à ce que le temps de cuisson correct apparaisse sur l'affichage.
- Appuyer sur START/ENTER (mise en marche/entrée).
Les réglages de température ou de temps de cuisson peuvent être changés en tout temps après cette étape en répétant les étapes 3 ou 5.

L'affichage montrera le compte à rebours de cuisson au four/rôtissage en heures et minutes ou en minutes et secondes, selon la durée du temps de cuisson.

Le réglage de la commande MEALTIMER peut être annulé et le four éteint en tout temps en appuyant sur OFF/CANCEL (arrêt/annulation).
- À la fin de la cuisson au four/rôtissage, le four s'éteindra de lui-même et 4 signaux sonores de 1 seconde se feront entendre.

Réglage d'un temps de cuisson différé (sur certains modèles) :

Avant le réglage, s'assurer que l'horloge est réglée à l'heure exacte. Voir la section "Horloge".

- Placer les grilles du four à la hauteur désirée et placer les aliments sur la grille appropriée. (Voir la section "Positionnement des grilles et ustensiles de cuisson".)
- Appuyer sur BAKE (cuisson au four).
Le témoin BAKE s'allume.
- Régler la température (optionnel)
Appuyer sur les touches TEMP (▲) ou (▼) pour élever ou abaisser la température en tranches de 5°F (3°C) par rapport au réglage de 350°F (177°C).
- Appuyer sur COOK TIME.
Le témoin COOK TIME s'allume.
- Régler le temps de cuisson.
Appuyer sur les touches (▲) ou (▼) jusqu'à ce que le temps de cuisson correct apparaisse sur l'affichage.
- Appuyer sur START TIME (heure de mise en marche).
Le témoin START TIME/DELAY (heure de mise en marche/différée) s'allume.
- Régler l'heure de mise en marche.
Appuyer sur les touches (▲) ou (▼) jusqu'à ce que l'heure de mise en marche correcte apparaisse sur l'affichage.
- Appuyer sur START/ENTER (mise en marche/entrée).
Les réglages de température ou de temps de cuisson peuvent être changés en tout temps après cette étape en répétant les étapes 3 à 8 inclusivement.

Le réglage de mise en marche différée de la commande MEALTIMER™ peut être annulé et le four éteint en tout temps en appuyant sur OFF/CANCEL (arrêt/annulation).
- Lorsque l'heure de mise en marche est atteinte, un signal sonore de 1 seconde se fait entendre. L'affichage montrera le compte à rebours de cuisson au four/rôtissage en heures et minutes ou en minutes et secondes, selon la durée du temps de cuisson.
- À la fin de la cuisson au four/rôtissage, le four s'éteindra automatiquement et 4 signaux sonores de 1 seconde se feront entendre.

GRILLES ET CHAPEAUX ÉMAILLÉS

Les renversements d'aliments contenant des acides, tels que le vinaigre et les tomates, doivent être nettoyés aussitôt que la table de cuisson, les grilles et les chapeaux sont refroidis. Ces renversements peuvent affecter le fini.

Pour éviter l'écaillage, ne pas entrechoquer les grilles et les chapeaux ni les frapper contre des surfaces dures telles que les ustensiles en fonte.

Ne pas réinstaller les chapeaux sur les brûleurs quand ils sont mouillés.

Ne pas les nettoyer au lave-vaisselle.

- Tampon à récurer en plastique non abrasif et nettoyant liquide doux légèrement abrasif :

Nettoyer dès que la table de cuisson, les grilles et les chapeaux sont refroidis.

BRÛLEURS DE SURFACE

Modèles à brûleurs scellés

Voir la section "Brûleurs de surface scellés".

Modèles à brûleurs à flamme nue

Voir la section "Brûleurs à flamme nue".

LÈCHEFRITE ET GRILLE

Ne pas nettoyer au programme d'autonettoyage.

- Nettoyant légèrement abrasif :
Frotter avec un tampon à récurer mouillé.
- Solution de ½ tasse (125 mL) d'ammoniaque pour 1 gallon (3,75 L) d'eau :
Laisser tremper pendant 20 minutes, ensuite frotter avec un tampon à récurer ou en laine d'acier.
- Nettoyant pour four :
Suivre le mode d'emploi sur l'étiquette du produit.

Émail vitrifié seulement, non le chrome

- Lave-vaisselle
-

CAVITÉ DU FOUR

Les renversements d'aliments devraient être nettoyés lorsque le four est refroidi. Aux températures élevées, l'aliment réagit avec la porcelaine et des taches, éclats, piqûres ou marques blanchâtres peuvent survenir.

Sur certains modèles, la porte du four peut être enlevée. Voir "Porte du four" d'abord.

- Tampon en laine d'acier
 - Nettoyant pour four :
Suivre le mode d'emploi sur l'étiquette du produit. Ne pas laisser le nettoyant toucher le joint d'étanchéité, le thermostat ou les surfaces externes. Mettre des feuilles de journal sur le plancher.
-

PORTE DU FOUR EN VERRE (sur certains modèles)

- Nettoyant à vitre et essuie-tout ou tampon de récurage non abrasif en plastique
-

GRILLES DU FOUR ET DE RÔTISSAGE

- Tampon en laine d'acier
-

Lampe du four

La lampe du four comporte une ampoule d'appareils ménagers standard de 40 watts. Elle s'allume lorsqu'on ouvre la porte du four. Lorsque la porte du four est fermée, appuyer sur l'interrupteur manuel de la lampe du four sur le dossier pour l'allumer et l'éteindre.

Avant le remplacement, s'assurer que la table de cuisson et le four sont froids et que les boutons de commande sont à la position off (arrêt).

Remplacement de l'ampoule :

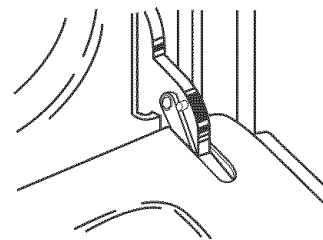
1. Débrancher la cuisinière ou interrompre le courant électrique.
 2. Tourner l'ampoule dans le sens antihoraire pour la retirer de la douille
 3. Remplacer l'ampoule
 4. Brancher la cuisinière ou rétablir le courant.
-

Porte du four

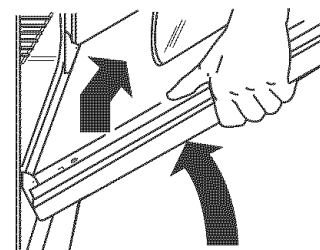
Il n'est pas nécessaire d'enlever la porte du four pour une utilisation normale. Toutefois, au besoin, suivre les instructions suivantes. La porte du four est lourde.

Enlèvement :

1. Ouvrir la porte du four. Insérer les chevilles incluses avec la cuisinière dans les deux appuis de charnières. Ne pas enlever les chevilles pendant que la porte est retirée de la cuisinière.



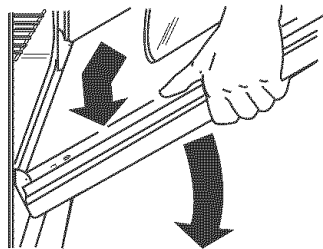
2. Saisir la porte sur les côtés avec les doigts sur le devant de la porte et les pouces sur la surface interne.



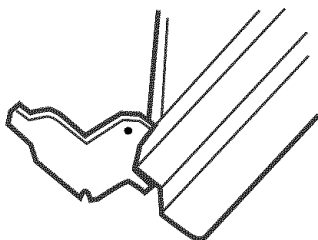
3. Soulever la porte tout droit vers soi. Ne pas enlever les chevilles tant que la porte n'est pas réinstallée.

Réinstallation :

1. Saisir la porte sur les côtés avec les doigts sur le devant de la porte et les pouces sur la surface interne.



2. Tenir la porte du four de telle sorte que le bord supérieur de chaque fente soit horizontal. Insérer la charnière de la porte dans les fentes.
3. Incliner le dessus de la porte vers la cuisinière. Insérer la charnière inférieure de la porte, échancrure vers le bas, sur le bord avant du châssis.



4. Ouvrir la porte complètement et enlever les chevilles de charnière. Les conserver pour utilisation future.
5. Fermer la porte lentement pour assurer le dégagement du panneau latéral de la porte et le bon enclenchement de la charnière.

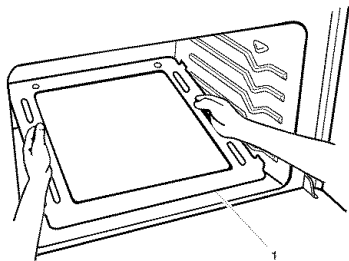
Enlèvement du panneau au fond du four

Le panneau au fond du four peut être enlevé pour le nettoyage standard du four.

Avant le nettoyage, s'assurer que le four est complètement froid.

Enlèvement :

1. Retirer les grilles du four.
2. Placer les doigts dans les fentes dans le panneau inférieur.



1. Lèvre

3. Soulever l'arrière du panneau.
La lèvre à l'avant du panneau devrait se dégager du châssis avant de la cavité du four.
4. Soulever et sortir le panneau.

Réinstallation :

Suivre les étapes ci-dessus dans l'ordre inverse.

DÉPANNAGE

Essayer les solutions suggérées ici d'abord afin d'éviter le coût d'une visite de service non nécessaire.

Rien ne fonctionne

- **Est-ce que la prise de courant est bien câblée et polarisée?**
Essayer une autre prise pour vérifier que la polarité et le câblage sont adéquats.
- **Est-ce que le cordon d'alimentation est débranché?**
Brancher sur une prise à trois alvéoles correctement reliée à la terre.
- **Un fusible est-il grillé ou le disjoncteur s'est-il ouvert?**
Remplacer le fusible ou remettre le disjoncteur en fonction.
- **Le robinet principal d'arrêt ou de réglage du gaz est-il à la position fermée**
Voir les instructions d'installation.
- **La cuisinière est-elle bien raccordée à la canalisation de gaz?**
Contacter un technicien de réparation qualifié ou voir les instructions d'installation.

Les brûleurs de surface ne fonctionnent pas

- **Est-ce la première fois que les brûleurs de surface sont utilisés?**
Allumer n'importe quel brûleur de surface pour libérer l'air des canalisations de gaz.
- **Le bouton de commande est-il réglé correctement?**
Pousser sur le bouton avant de le tourner à un réglage.
- **Les orifices des brûleurs sont-ils obstrués?**
Sur les modèles à brûleurs scellés, voir la section "Brûleurs de surface scellés".
Sur les modèles à brûleurs ouverts, voir la section "Brûleurs de surface".

Les flammes des brûleurs de surface ne sont pas uniformes, sont de teinte jaune et/ou bruyantes

- **Les orifices des brûleurs sont-ils obstrués?**
Sur les modèles à brûleurs scellés, voir la section "Brûleurs de surface scellés".
Sur les modèles à brûleurs ouverts, voir la section "Brûleurs de surface".
- **Sur les modèles à chapeau, les chapeaux des brûleurs sont-ils bien installés?**
Voir la section "Brûleurs de surface scellés".
- **Le brûleur est-il endommagé?**
Sur les modèles à chapeau, vérifier si le chapeau est déformé. Placer le chapeau, côté plat vers le bas, sur une surface plate. Si le chapeau branle perceptiblement, il est déformé. Placer le chapeau sur un autre brûleur pour une autre vérification de la déformation. Remplacer le chapeau déformé. Contacter un technicien de réparation qualifié si la condition ne s'améliore pas.

- **Le mélange air/gaz est-il correct?**
Contacter un technicien de service désigné pour vérifier le mélange air/gaz ou voir les instructions d'installation.
- **Utilise-t-on du gaz propane?**
L'appareil a peut-être été converti incorrectement. Contacter un technicien de réparation qualifié.

Le brûleur de surface fait de petits bruits

- **Le brûleur est-il mouillé?**
Le laisser sécher.

Ustensile de cuisson pas d'aplomb sur la table de cuisson

- **La cuisinière est-elle d'aplomb?**
Niveler la cuisinière. (Voir les instructions d'installation.)
- **Utilise-t-on un ustensile de cuisson approprié?**
Utiliser un ustensile de cuisson à fond plat. (Voir la section "Ustensiles de cuisson".)

Chaleur excessive autour des ustensiles de cuisson sur la table de cuisson

- **L'ustensile de cuisson est-il de dimension appropriée?**
Utiliser un ustensile de cuisson à peu près de la même dimension que la surface de cuisson. L'ustensile de cuisson ne doit pas dépasser plus de 1 po (2,5 cm) hors de la surface de cuisson.
- **Les brûleurs de surface du côté droit sont-ils tournés l'un vers l'autre?**
Voir la section "Rotation des brûleurs".

Le four ne fonctionne pas

- **Est-ce que la prise de courant est bien câblée et polarisée?**
Essayer une autre prise pour vérifier que la polarité et le câblage sont adéquats.
- **Est-ce la première fois que le four est utilisé?**
Allumer n'importe quel brûleur de surface pour libérer l'air des canalisations de gaz.
- **La commande électronique du four est-elle correctement réglée?**
Voir la section "Commande électronique du four".
- **Sur certains modèles, le verrouillage des commandes est-il réglé?**
Voir la section "Verrouillage des commandes".
- **Le robinet principal d'arrêt ou de réglage du gaz est-il à la position fermée?**
Contacter un technicien de service désigné ou voir les instructions d'installation.

Le four émet un tic-tac sourd durant l'utilisation

- Ce bruit est normal et se produit lorsque le brûleur du four fonctionne par intermittence pour maintenir la température réglée.

Les flammes du brûleur du four ne sont pas uniformes, sont de teinte jaune ou bruyantes

- **Utilise-t-on du gaz propane?**
L'appareil a peut-être été converti incorrectement. Contacter un technicien de réparation qualifié.
- **Le mélange air/gaz est-il correct?**
Contacter un technicien de service désigné pour vérifier le mélange air/gaz ou voir les instructions d'installation.

La température du four est trop élevée ou trop basse

- **Le calibrage de la température du four a-t-il besoin d'être ajusté?**
Voir la section "Commande de la température du four".

L'affichage indique des messages

- **L'affichage montre-t-il "PF"?**
Une panne de courant est survenue. Appuyer sur OFF/CANCEL (arrêt/annulation) pour effacer l'affichage. Régler de nouveau l'horloge si nécessaire. Voir la section "Horloge".
- **L'affichage montre-t-il "F" suivi d'un chiffre?**
Appuyer sur OFF/CANCEL (arrêt/annulation) pour effacer l'affichage. Si le code "F" apparaît de nouveau, contacter un technicien de réparation qualifié.
- **Une mise en marche différée a-t-elle été réglée?**
Voir la section "Cuisson minutée".

Les résultats de cuisson sur la table de cuisson ne sont pas les résultats prévus

- **Utilise-t-on un ustensile de cuisson approprié?**
Voir la section "Ustensiles de cuisson".
- **Le bouton de commande est-il réglé au niveau approprié de chaleur?**
Voir la section "Commandes de la table de cuisson".

Les résultats de cuisson au four ne sont pas les résultats prévus

- **Le four a-t-il été préchauffé?**
Attendre que le four se soit préchauffé avant d'y placer les aliments.
- **Les grilles sont-elles en bonne position?**
Voir la section "Positionnement des grilles et ustensiles de cuisson".
- **Existe-t-il une circulation d'air appropriée autour des ustensiles de cuisson?**
Voir la section "Positionnement des grilles et ustensiles de cuisson".
- **La pâte est-elle distribuée également dans le plat?**
Vérifier pour s'assurer que la pâte est répartie uniformément dans le plat.
- **L'appareil est-il d'aplomb?**
Niveler l'appareil. Voir les instructions d'installation.
- **Les articles cuits au four sont-ils trop bruns à la base?**
Diminuer la température du four de 10°F à 30°F (5°C à 15°C).
- **Les bords des croûtes ont-ils brunis trop tôt?**
Utiliser du papier d'aluminium pour couvrir le bord de la croûte.

Lenteur de la cuisson au four ou du rôtissage

- **Le four a-t-il été préchauffé?**
Attendre que le four se soit préchauffé avant d'y placer les aliments.
- **Existe-t-il une circulation d'air appropriée autour des ustensiles de cuisson?**
Voir la section "Positionnement des grilles et ustensiles de cuisson".
- **Utilise-t-on une durée de cuisson appropriée?**
Augmenter la durée de cuisson au four ou de rôtissage.

- **La température correcte est-elle réglée?**
Augmenter la température de 30°F (15°C).
- **La porte a-t-elle été ouverte pendant la cuisson?**
L'ouverture de la porte pour vérifier la cuisson laisse la chaleur du four s'échapper et peut nécessiter des durées de cuisson plus longues.

Le brûleur du gril ne s'allume pas

- **Le système d'allumage est-il brisé?**
Contacter un technicien de service désigné pour le remplacer.

ASSISTANCE OU SERVICE

Avant de faire un appel pour assistance ou service, consulter la section "Dépannage". Ce guide peut vous faire économiser le coût d'une visite de service. Si vous avez encore besoin d'aide, suivre les instructions ci-dessous.

Lors d'un appel, veuillez connaître la date d'achat, le numéro de modèle et le numéro de série au complet de l'appareil. Ces renseignements nous aideront à mieux répondre à votre demande.

Si vous avez besoin de pièces de rechange

Si vous avez besoin de commander des pièces de rechange, nous vous recommandons d'employer uniquement des pièces de rechange FSP®. Les pièces de rechange FSP® conviendront et fonctionneront bien parce qu'elles sont fabriquées avec la même précision utilisée dans la fabrication de chaque nouvel appareil WHIRLPOOL®.

Pour obtenir des pièces de rechange FSP® dans votre région, composer le numéro de téléphone de notre Centre d'interaction avec la clientèle ou du centre de service désigné le plus proche de Whirlpool.

Pour des questions relatives aux produits, veuillez appeler sans frais le Centre d'interaction avec la clientèle de Whirlpool Canada Inc. au : **1-800-461-5681** de 8 h 30 à 17 h 30 (HNE).

Lundi à vendredi 8 h - 18 h HNE.

Samedi 8 h 30 - 16 h 30 HNE.

Nos consultants vous renseigneront sur les sujets suivants :

- Caractéristiques et spécifications sur toute notre gamme d'appareils électroménagers.
- Références aux marchands locaux.

Pour pièces, accessoires et service au Canada

Composer le **1-800-807-6777**. Les techniciens de service désignés par Whirlpool Canada Inc. sont formés pour remplir la garantie des produits et fournir un service après la garantie, partout au Canada.

Pour plus d'assistance

Si vous avez besoin de plus d'assistance, vous pouvez soumettre par écrit toute question ou préoccupation à Whirlpool Canada Inc. à l'adresse suivante :

Centre d'interaction avec la clientèle
Whirlpool Canada Inc.
1901 Minnesota Court
Mississauga, Ontario L5N 3A7

Veuillez inclure dans votre correspondance un numéro de téléphone où on peut vous joindre le jour.

GARANTIE SUR LES TABLES DE CUISSON, ET CUISINIÈRES À GAZ WHIRLPOOL®

GARANTIE COMPLÈTE DE UN AN

Pendant un an à compter de la date d'achat, lorsque cet appareil est utilisé et entretenu conformément aux instructions jointes ou fournies avec le produit, Whirlpool Corporation paiera pour les pièces de rechange FSP® et la main-d'œuvre de réparation pour corriger les vices de matériaux ou de fabrication. Le service doit être fourni par une compagnie de service désignée par Whirlpool.

GARANTIE DE LA DEUXIÈME À LA CINQUIÈME ANNÉE INCLUSIVEMENT

Sur les tables de cuisson et cuisinières à gaz, la deuxième à la cinquième année inclusivement à compter de la date d'achat, lorsque cet appareil est utilisé et entretenu conformément aux instructions jointes ou fournies avec le produit, Whirlpool Corporation paiera pour les pièces de rechange FSP® pour corriger les vices de matériaux ou de fabrication de tout brûleur à gaz. Le service doit être fourni par une compagnie de service désignée par Whirlpool.

Whirlpool Corporation ne paiera pas pour :

1. Les visites de service pour rectifier l'installation de votre appareil ménager, pour enseigner comment utiliser votre appareil, pour remplacer des fusibles dans la maison ou corriger la filerie de la maison ou pour remplacer des ampoules d'éclairage accessibles au propriétaire.
2. Les réparations lorsque votre appareil est utilisé à des fins autres que l'usage unifamilial normal.
3. Le ramassage et la livraison. Votre appareil ménager est conçu pour être réparé à domicile.
4. Les dommages imputables à : accident, modification, mésusage, abus, incendie, inondation, mauvaise installation, actes de Dieu, ou utilisation de produits non approuvés par Whirlpool Corporation ou Whirlpool Canada Inc.
5. Réparations aux pièces ou systèmes résultant d'une modification non autorisée faite à l'appareil.
6. Le coût des pièces de rechange ou de la main-d'œuvre de réparation pour les appareils utilisés en dehors du Canada.
7. Les frais de voyage ou de transport pour les clients qui habitent dans des régions éloignées.
8. Tous les frais de réparation encourus pendant la durée des garanties limitées.

WHIRLPOOL CORPORATION ET WHIRLPOOL CANADA INC. N'ASSUMENT AUCUNE RESPONSABILITÉ POUR LES DOMMAGES SECONDAIRES OU INDIRECTS.

Certaines provinces ne permettent pas l'exclusion ou la limitation des dommages secondaires ou indirects de sorte que cette exclusion ou limitation peut ne pas être applicable dans votre cas. Cette garantie vous confère des droits juridiques spécifiques et vous pouvez également jouir d'autres droits qui peuvent varier d'une province à l'autre.

À l'extérieur du Canada, cette garantie ne s'applique pas. Contacter votre marchand Whirlpool autorisé pour déterminer si une autre garantie s'applique.

Si vous avez besoin de service, voir d'abord "Dépannage" dans ce livret. Après avoir vérifié "Dépannage" une aide supplémentaire peut être trouvée en vérifiant la section "Assistance ou service" ou en téléphonant au Centre d'interaction avec la clientèle de Whirlpool en composant le **1-800-461-5681**. Pour pièces, accessoires, installation et service le **1-800-807-6777**. 5/00

Conservez ce manuel et votre reçu de vente ensemble pour référence ultérieure. Pour le service sous garantie, vous devez présenter un document prouvant la date d'achat ou d'installation.

Inscrivez les renseignements suivants au sujet de votre appareil pour mieux obtenir assistance ou service en cas de besoin. Vous devrez connaître les numéros au complet de modèle et de série. Cette information est donnée sur la plaque signalétique des numéros de modèle et de série, située sur votre appareil tel qu'indiqué dans la section "Pièces et caractéristiques".

Nom du marchand _____

Adresse _____

Numéro de téléphone _____

Numéro de modèle _____

Numéro de série _____

Date d'achat _____

98014377

© 2003 Whirlpool Corporation.
All rights reserved.
Tous droits réservés.

© Registered Trademark/TM Trademark of Whirlpool, U.S.A., Whirlpool Canada Inc. Licensee in Canada
© Marque déposée/TM Marque de commerce de Whirlpool, U.S.A., Emploi Licencié par Whirlpool Canada Inc. au Canada
Todos los derechos reservados. © Marca registrada/TM Marca de comercio de Whirlpool, EE.UU., usada bajo licencia de Whirlpool Canada Inc. en Canadá

7/03
Printed in Mexico

Imprimé au Mexique
Impreso en México

