



INDOOR COOKING

Induction Rangetop
KRTI

Installation Manual

 HESTAN

WARNING

IF THE INFORMATION IN THIS MANUAL IS NOT FOLLOWED EXACTLY, A FIRE OR EXPLOSION MAY RESULT CAUSING PROPERTY DAMAGE, PERSONAL INJURY, OR DEATH.

Do not store or use gasoline or other flammable vapors and liquids in the vicinity of this or any other appliance.

Installation and service must be performed by a qualified installer or service agency.

DO NOT REPAIR, REPLACE OR REMOVE ANY PART OF THE APPLIANCE UNLESS SPECIFICALLY RECOMMENDED IN THE MANUAL. IMPROPER INSTALLATION, SERVICE OR MAINTENANCE CAN CAUSE INJURY OR PROPERTY DAMAGE. REFER TO THIS MANUAL FOR GUIDANCE. ALL OTHER SERVICING SHOULD BE DONE BY A QUALIFIED TECHNICIAN.

READ THESE INSTRUCTIONS CAREFULLY AND COMPLETELY BEFORE INSTALLING OR USING YOUR APPLIANCE TO REDUCE THE RISK OF FIRE, BURN HAZARD, OR OTHER INJURY. KEEP THIS MANUAL FOR FUTURE REFERENCE.

SAFETY DEFINITIONS

WARNING

THIS INDICATES THAT DEATH OR SERIOUS INJURY MAY OCCUR AS A RESULT OF NOT OBSERVING THIS WARNING.

CAUTION

THIS INDICATES THAT MINOR OR MODERATE INJURY MAY OCCUR AS A RESULT OF NOT OBSERVING THIS WARNING.

NOTICE

THIS INDICATES THAT DAMAGE TO THE APPLIANCE OR PROPERTY MAY OCCUR AS A RESULT OF NOT OBSERVING THIS WARNING.

INSTALLER: LEAVE THIS MANUAL WITH THE OWNER OF THE APPLIANCE.
HOMEOWNER: RETAIN THIS MANUAL FOR FUTURE REFERENCE.

TABLE OF CONTENTS

1	SAFETY PRECAUTIONS - BEFORE YOU BEGIN
2	MODEL NUMBERS
2	RATING LABEL
3	REGULATORY / CODE REQUIREMENTS
3	LOCATION AND INSTALLATION / VENTILATION
7	BACKGUARD AND ACCESSORIES
8	ELECTRICAL CONNECTIONS
10	FINAL SETUP
11	SERVICE
11	APPENDIX

SAFETY PRECAUTIONS - BEFORE YOU BEGIN

When properly cared for, your Hestan appliance will provide safe, reliable service for many years. When using this appliance, basic safety practices must be followed as outlined below.

IMPORTANT: Save these instructions for the local Utility Inspector's use.

INSTALLER: Please leave these Installation Instructions with the owner.

OWNER: Please retain these Installation Instructions for future reference.

This rangetop is **NOT** designed for installation in manufactured (mobile) homes or recreational park trailers. Do **NOT** install this rangetop outdoors.

⚠️ WARNING

ELECTRICAL SHOCK HAZARD

Disconnect power before installing or servicing appliance. Before turning power ON, be sure all controls are in the OFF position. Failure to do so can result in electrical shock or death.



ELECTRICAL GROUNDING

This appliance must be grounded. Grounding reduces the risk of electric shock in the event of a short circuit. Read the ELECTRICAL CONNECTIONS section of this manual for complete instructions.

- DO NOT ground to a gas pipe.
- DO NOT use an extension cord with this appliance.
- DO NOT have a fuse in the NEUTRAL or GROUNDING circuit. A fuse in the NEUTRAL or GROUNDING circuit could result in an electrical shock.

ELECTRICAL SUPPLY

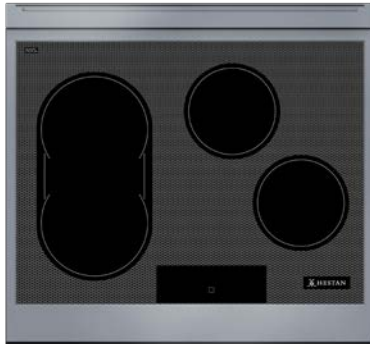
The appliance must be on its own dedicated circuit - 240 VAC, Single Phase, 60 Hz, with a current rating as shown on page 2. Have the installer show you where the electric circuit breaker is located so you know how to shut off the power to this appliance. It is the responsibility of the user to have the appliance connected by a licensed electrician in accordance with all local codes, or in the absence of local codes, in accordance with the National Electrical Code. Read the ELECTRICAL CONNECTIONS section of this manual for complete details.

MODEL NUMBERS

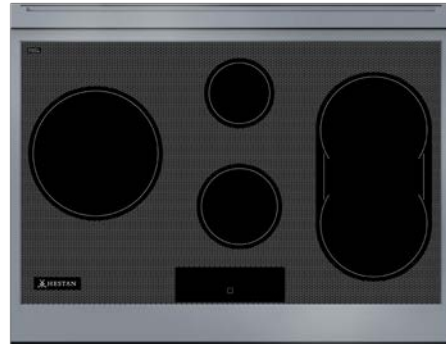
RANGETOP MODELS

EN

MODEL NO.	DESCRIPTION	CIRCUIT BREAKER REQUIRED
KRTI30	30" INDUCTION RANGETOP WITH 4 ELEMENTS	40 Amp
KRTI36	36" INDUCTION RANGETOP WITH 5 ELEMENTS	50 Amp



KRTI30



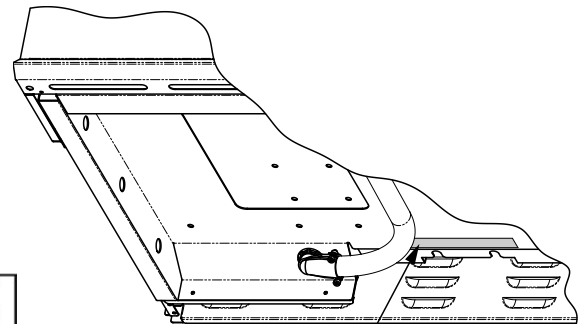
KRTI36

RATING LABEL

The rating label contains important information about your Hestan appliance such as the model and serial number, electrical rating, and the minimum installation clearances.

The rating label is located underneath the unit.

If service is necessary, contact Hestan Customer Care with the model and serial number information shown on the label.



RATING LABEL

HESTAN COMMERCIAL CORP. ANAHEIM, CA - USA		MODEL / MODELE KRTI36-BK-XX	SER. NO. / NO. SER. A1220XXXXXX	PATENTED: http://www.hestanhome.com/patents.pdf
VOLTS 240/208 Hz 60 PHASE 1 AMPS 50	MIN. CLEARANCES / DÉGAGEMENTS COMBUSTIBLE / NON-COMBUSTIBLE BACK / ARRIÈRE 0" / 0" SIDES / CÔTÉS 0" / 0"	CONFORMS TO: UL 898 2014 E4 16-R-043w2018 CSA C22.2 #61 2016 E4 9 HOUSEHOLD COOKING APPLIANCE	CONFORME À LA NORME: UL 898 2014 E4 16-R-043w2018 CSA C22.2 #61 2016 E4 9 APPAREIL ÉLECTROMÉNAGER DE CUISISON	ETL US Intertek 5001516 (FM 33462013)
VENTED UNIT - SEE INSTALLATION MANUAL UNITÉ VENTILÉE - VOIR LE MANUEL D'INSTALLATION				

KRTI36 rating label shown

REGULATORY / CODE REQUIREMENTS

Installation of this cooking appliance must be made in accordance with local codes, or in the absence of local codes with the National Electrical Code.

This appliance must be electrically grounded in accordance with local codes or in the absence of local codes with the National Electrical Code *ANSI/NFPA 70*, or Canadian Electrical code *CSA C22.1*.

This appliance complies with part 18 of the FCC Rules. This equipment generates, uses and can radiate radio frequency energy and, if not installed and used in accordance with the instructions, may cause harmful interference to radio communications. However, there is no guarantee that interference will not occur in a particular installation. If this equipment does cause harmful interference to radio or television reception, which can be determined by turning the equipment off and on, the user is encouraged to try to correct the interference by one or more of the following measures:

- Reorient or relocate the receiving antennae.
- Increase the distance between the equipment and receiver.
- Connect the equipment into an outlet or a circuit different from that to which the receiver is connected.
- Consult the dealer or an experienced radio/TV technician for help.

Persons who have heart pacemakers or other electronic implants should discuss with their doctor or the manufacturer of the implant as to whether this device is sufficiently safe from interference.

LOCATION AND INSTALLATION / VENTILATION

UNPACKING AND PLACEMENT

Remove the outer carton and packing materials. Do not remove the plastic film covering the stainless-steel surfaces. This film protects the finish from scratches until the appliance is installed in its final position.

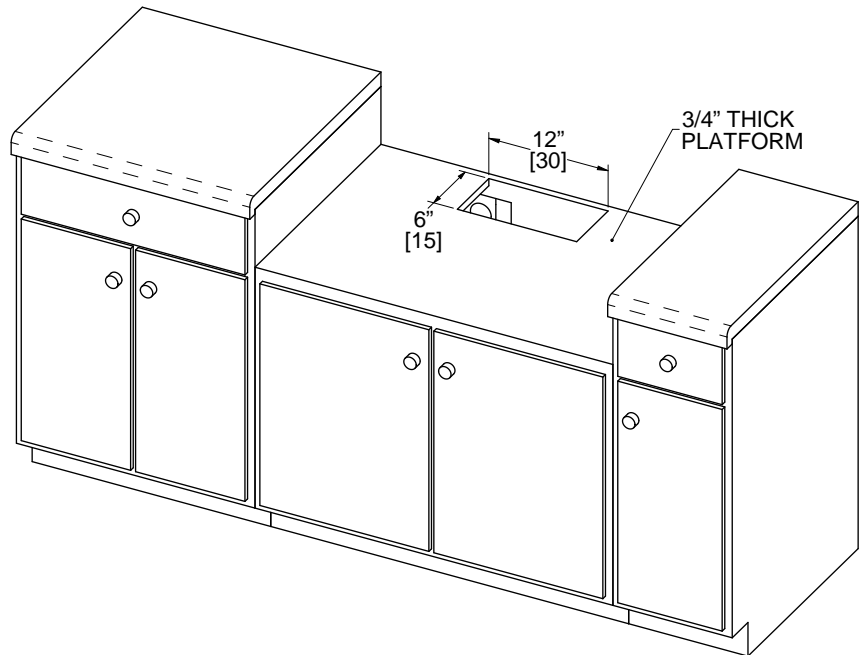
Use extra caution with the ceramic glass top. It can crack or shatter if not handled with care. Move the unit gently to avoid dropping or jarring the unit excessively which may damage the ceramic glass.

The unit is somewhat heavy and should be handled with care. Use proper safety equipment, such as gloves, and at least 2 persons to move the appliance into position to avoid injury and to avoid damage to the floor or the appliance itself.

LOCATION AND INSTALLATION/VENTILATION (CONTINUED)

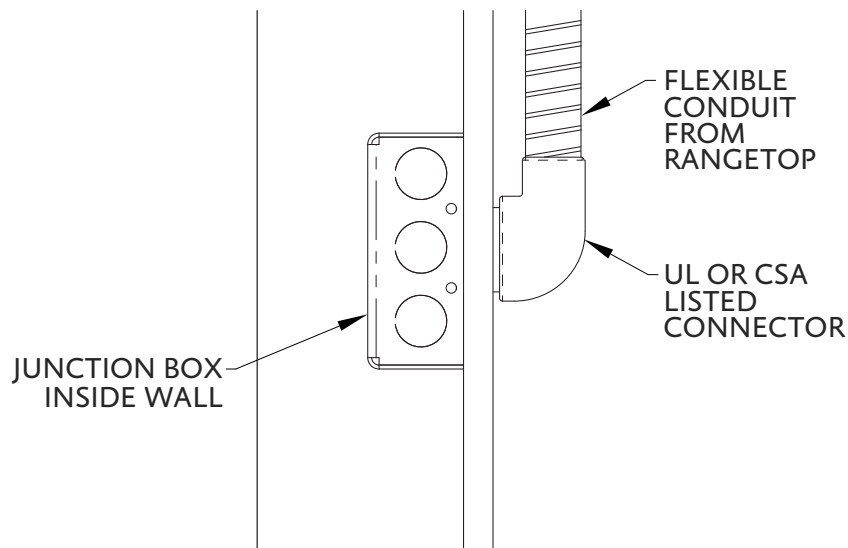
PREPARATION

The rangetop must be mounted on a stable platform, as illustrated here and on the following pages. The platform must include a 6" x 12" [15 x 30 cm] cutout at the center rear to allow for the electrical connection. The platform must also be level to ensure an even cooking surface. The platform should be a minimum of 3/4" [19 cm] thick to support the weight of the unit.



ELECTRICAL SUPPLY CLEARANCES

If not already in place, install the power receptacle / junction box as shown in the Installation Clearances on the following pages. Any openings in the wall or floor behind the appliance must be sealed. The flexible conduit is 3 ft (1 m) long. The junction box must be located as shown to allow slack in the conduit for serviceability.



CABINETRY

To eliminate the risk of burns or fire by reaching over heated surface units, cabinet storage space located above the surface units should be avoided. If cabinet storage is to be provided, the risk can be reduced by installing the vent hood that projects horizontally a minimum of 5" [12.7 cm] beyond the bottom of the cabinets.

LOCATION AND INSTALLATION/VENTILATION (CONTINUED)

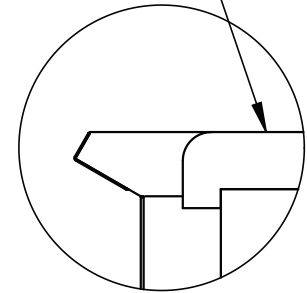
LEVELING

The rangetop must be level. Raise to the desired height by placing shims underneath the unit as needed.

CAUTION

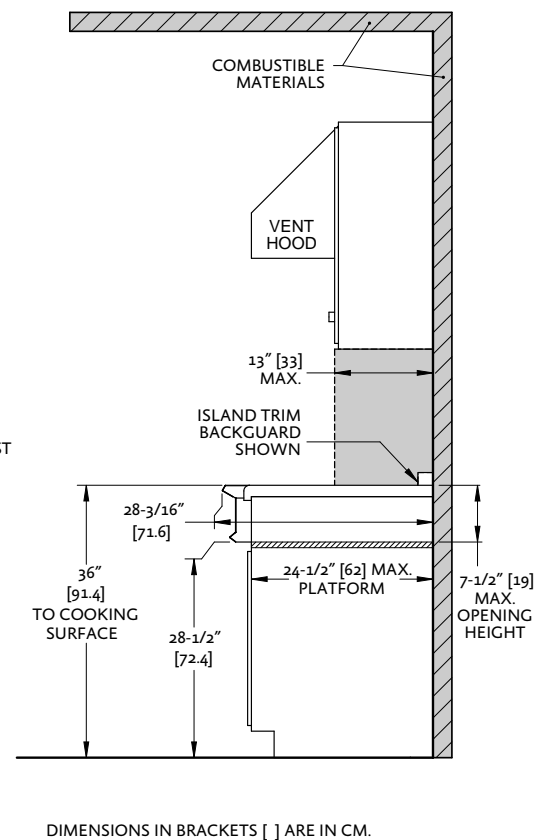
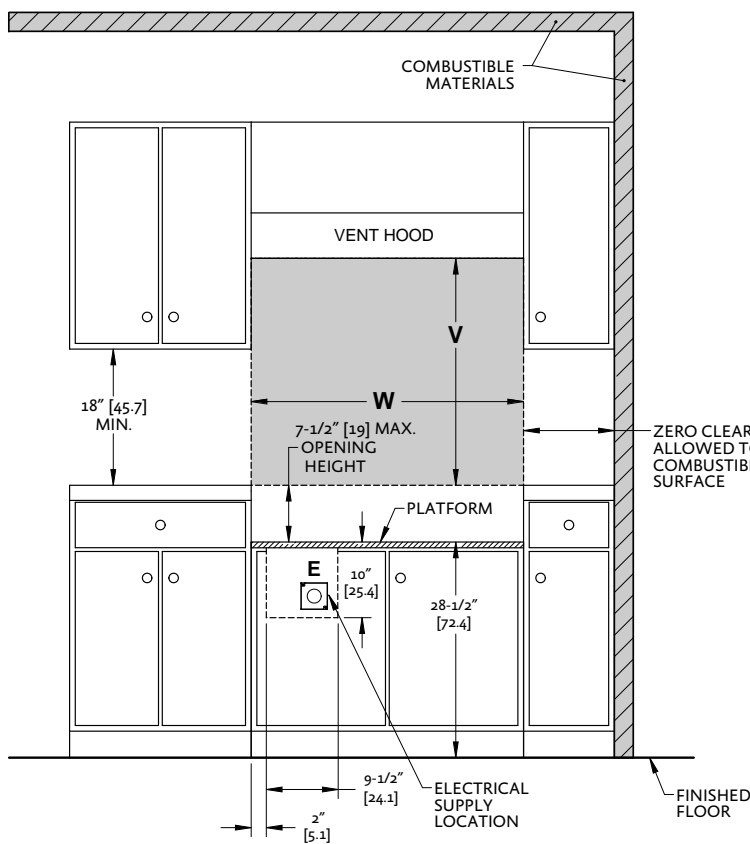
The appliance top must be level or higher than the adjacent countertop surfaces. Failure to adjust the height may expose the adjacent cabinets to excessive heat which may damage the cabinets or countertop.

APPLIANCE TOP /
COOKING SURFACE



EN

INSTALLATION CLEARANCES - ALL BACKGUARDS



FRONT VIEW

SIDE VIEW

NOTES:

- SHADED AREAS INDICATE WHERE COMBUSTIBLE MATERIALS ARE NOT ALLOWED.
- APPLIANCE TOP MUST BE LEVEL OR HIGHER THAN THE ADJACENT COUNTERTOP SURFACES.
- "E" IS ELECTRICAL SUPPLY ZONE.
- "W" IS APPLIANCE OPENING.
- "V" IS MIN. CLEARANCE TO VENTILATION HOOD.

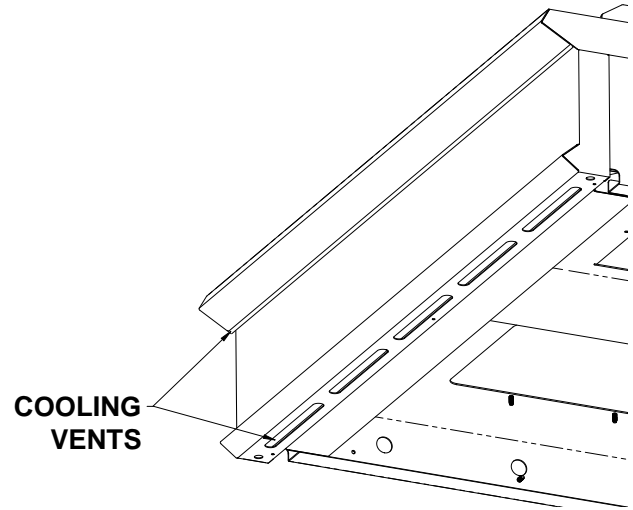
RANGETOP MODEL	W	V (MIN)
KRTI30	30" [76.2]	30" [76.2]
KRTI36	36" [91.4]	30" [76.2]

LOCATION AND INSTALLATION/VENTILATION (CONTINUED)

FRONT COOLING VENTS

NOTICE

When placing your rangetop in the cabinet, DO NOT BLOCK or obstruct the front cooling vents shown. These vents allow air into the appliance to keep the internal electronic parts cool.



VENTILATION

It is strongly recommended that this appliance be installed with a Hestan vent hood. While this unit does not have the high heat output of a traditional gas rangetop, evacuation of steam, vapors, and cooking odors is still desirable. It is very important that the hood and ductwork installation meets local building codes and is installed by a qualified technician.

Do not use a down-draft style ventilation system.

Do not mount a microwave oven/ventilator combination above the rangetop. These type of units do not typically have sufficient airflow and were not tested with this type of appliance.

For non-Hestan approved vent hoods, the vent hood and/or blower unit must be rated for at least 300 CFM for 30" and 36" induction rangetop sizes.

For island applications, it is recommended to use a vent hood that is 6" [15.2 cm] wider than the appliance, to allow for 3" [7.6 cm] of overlap on the left and right of the appliance.

Keep duct runs as short and straight as possible. Elbows and transition fittings reduce airflow efficiency. Hestan recommends keeping the duct run under 50 ft. [15.2 m].

CONSULT WITH YOUR HESTAN DEALER ON SELECTING THE APPROPRIATE VENT HOOD FOR YOUR HESTAN APPLIANCE.

BACKGUARD AND ACCESSORIES

⚠ CAUTION

Sheetmetal accessories such as the backguard, and areas at the rear of the rangetop may have sharp edges. Wear work gloves while handling and installing these items.

BACKGUARD

Your Hestan rangetop is supplied at the factory with an Island Trim backguard. See Table 1 in the APPENDIX section of this manual for other backguard options available from your Hestan dealer. Selection of the appropriate backguard depends on the installation location and adjacent materials, and the type of vent hood to be used. Installation instructions are included with the backguard kit.

⚠ CAUTION

The top of the backguard serves as an exhaust vent to remove heat from under the rangetop. DO NOT BLOCK or obstruct the top of the backguard. DO NOT touch the top of the backguard during appliance operation as it may get hot. Allow sufficient time to cool before touching or cleaning this area. DO NOT position plastic or other heat-sensitive items nearby which could melt or burn.

ELECTRICAL CONNECTIONS

⚠ WARNING

ELECTRICAL SHOCK HAZARD

Disconnect power before installing or servicing appliance. Failure to do so can result in electrical shock or death.



ELECTRICAL GROUNDING

This appliance must be grounded. Grounding reduces the risk of electric shock in the event of a short circuit. Grounding through the neutral conductor is prohibited for new branch circuit installations (1996 NEC), mobile homes, and recreational vehicles, or in an area where local codes prohibit it. This rangetop has been setup at the factory for a 3-wire connection.

⚠ CAUTION

Improper grounding will cause malfunctions in the unit. This can damage the appliance and create a shock hazard condition.

ELECTRICAL CONNECTION

The appliance must be on its own dedicated circuit - 240 VAC, Single Phase, 60 Hz, with a current rating as shown in the model number listing on page 2. The installation must be done in accordance with local codes, or in the absence of local codes, it must be installed in accordance with the National Electrical Code, ANSI/NFPA 70.

NOTICE

This rangetop does not require a neutral connection. If the rangetop is to be completely enclosed in a cabinet, feed the rangetop cable through the opening in the cabinet.

Make the electrical connection following the appropriate steps for your installation.

The appliance is provided with a 3/4" flexible conduit which is 3 feet long [1 m] to allow slack for serviceability. **DO NOT CUT THE CONDUIT.** It should be connected directly into a junction box with a UL or CSA-listed conduit connector. Once connected to the junction box, arrange any excess conduit under the unit with tie-wraps to keep the conduit out of the way of any drawers or other objects in the cabinet.

- A dedicated time-delay fuse or circuit breaker is recommended.
- Do not ground to a gas pipe. Do not have a fuse in the grounding circuit.
- Both supply (phase) lines must be protected by fuses or a circuit breaker.

⚠ WARNING

For both US and CANADA installations: This appliance is equipped with copper lead wires and must be connected to copper wires only. Improper connection of aluminum house wiring can result in a fire or shock hazard. Use only connectors designed and certified for connecting to aluminum wire, and installed by a qualified electrician.

ELECTRICAL CONNECTIONS (CONTINUED)

EN

This appliance is manufactured with a green ground wire connected to the rangetop chassis. After making sure that the power has been turned off, connect the flexible conduit from the rangetop to the junction box using a U.L. listed conduit connector. The instructions provided below present the most common way of connecting the appliance. Your local codes and ordinances, of course, take precedence over these instructions. Complete electrical connections according to local codes and ordinances.

⚠️ WARNING

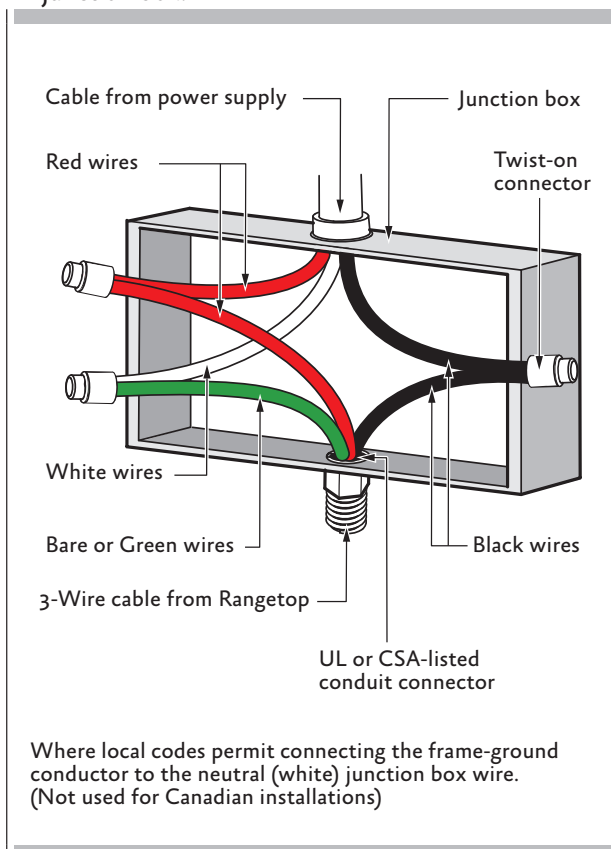
Risk of Electric Shock, frame grounded to neutral of appliance through a link.

Grounding through the neutral conductor is prohibited for new branch-circuit installations (1996 NEC), or in an area where local codes prohibit grounding through the neutral conductor. This rangetop is NOT designed for installation in manufactured (mobile) homes or recreational park trailers. DO NOT install this rangetop outdoors.

3-WIRE BRANCH CIRCUIT

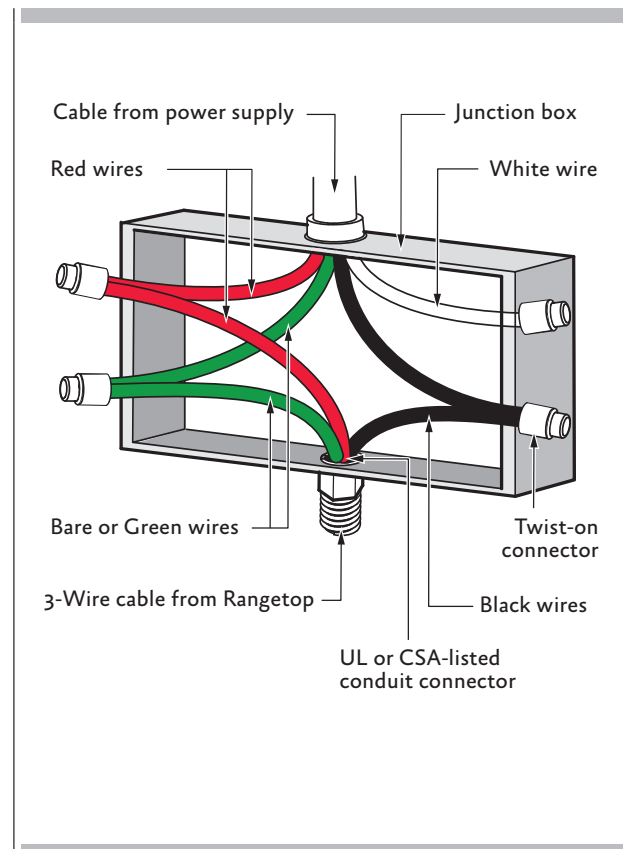
Where local codes allow the connection of ground wire from the rangetop to the branch circuit neutral wire (gray or white colored wire) proceed as follows.

1. If local codes permit, connect the green GROUND wire from the rangetop to the branch circuit neutral wire (gray or white colored wire).
2. Connect the red and black leads from the rangetop to the corresponding leads in the junction box.



4-WIRE BRANCH CIRCUIT

1. Connect the green ground wire from the rangetop to the ground wire in the junction box (bare or green colored wire).
2. Connect the red and black leads from the rangetop to the corresponding leads in the junction box.
3. Terminate and insulate the neutral (gray or white colored wire) in the junction box.



FINAL SETUP

Remove any final packaging materials, and protective film from all exterior areas. Check the electrical requirements for the correct electrical supply and that the rangetop is properly grounded.

Check power at the junction box wires using a voltmeter having a range of 0-250 VAC.

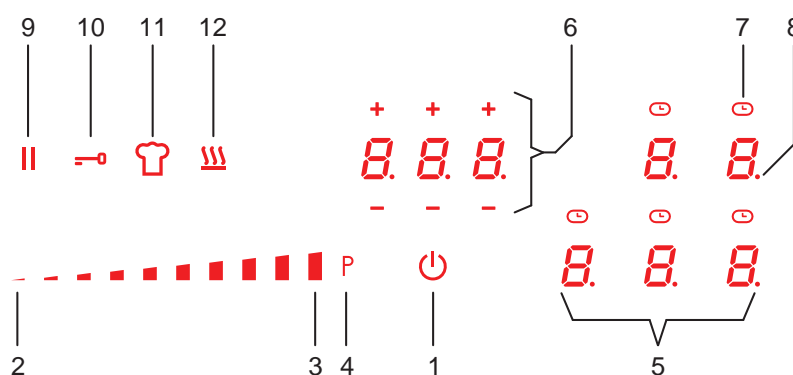
- A 240 Volt supply should read 220 to 240 Volts between the black and red wires (Line to Line).
- A 208 Volt supply should read 190 to 208 Volts between the black and red wires.

Before testing operation of the appliance, verify electrical power has been restored to the unit.

NOTICE

FUNCTIONAL TEST

1. Fill an induction-capable cooking utensil with 1/2 - 1" [1.2-2.5 cm] of water and place it on one of the cooking zones.
2. Switch the control ON by touching the [ON OFF] key(1).
 - If the commands are locked, touch the lock key (10) for a few seconds. The lock is deactivated and the controls should respond.
3. Touch the zone select key (5) for the cook zone where the utensil is.
4. Touch the power slider and set it to a level between 3 and 9.
5. Observe that the display responds to the power setting, and observe that the cooking utensil begins to heat up.
6. Touch the selector key (5) for that zone to turn it off.
7. Touch the [ON OFF] key to turn the rangetop off.



USER INTERFACE			
1	ON/OFF	7	Timer clock indicator (for each zone)
2	Power slider - minimum power	8	Selection indicator dot
3	Power slider - maximum power	9	Pause / Recall Function
4	Power Booster (P)	10	Key Lock Function
5	Cooking Zone displays	11	Chef Cook Function
6	Timer display and + / - setting keys	12	Warming Function

CRITERIA

If the controls respond as described and the utensil heats up, then the test is successful.

SERVICE

All warranty and non-warranty repairs should be performed by qualified service personnel. To locate an authorized service agent in your area, contact your Hestan dealer, local representative, or Hestan. Before you call, please have the model number and serial number information on hand.

Hestan Commercial Corporation
3375 E. La Palma Avenue
Anaheim, CA 92806
(888) 905-7463

EN

APPENDIX

RANGETOP MODEL	BACKGUARD MODEL	DESCRIPTION
KRTI30	KBGIT30*	BACKGUARD, ISLAND TRIM, 30"
	KBGLB30	BACKGUARD, LOW BACK, 30"
	KBGHS30	BACKGUARD, HIGH SHELF, 30"
KRTI36	KBGIT36*	BACKGUARD, ISLAND TRIM, 36"
	KBGLB36	BACKGUARD, LOW BACK, 36"
	KBGHS36	BACKGUARD, HIGH SHELF, 36"

* INCLUDED WITH RANGETOP

AVERTISSEMENT

LE NON-RESPECT À LA LETTRE DE CES INSTRUCTIONS PEUT CAUSER UN INCENDIE OU UNE EXPLOSION, QUI POURRAIT ENTRAÎNER DES DOMMAGES MATÉRIELS, DES BLESSURES OU LA MORT.

Ne pas entreposer ou utiliser d'essence ou tout autre liquide ou gaz inflammable à proximité de cet appareil ou de tout autre appareil.

L'installation et la réparation doivent être effectuées par un installateur ou une agence de réparation ayant les qualifications requises.

NE RÉPARER, REMPLACER OU ENLEVER AUCUNE PARTIE DE L'APPAREIL SAUF RECOMMANDATION SPÉCIFIQUE DANS LE MANUEL. UNE INSTALLATION, UN SERVICE OU UNE MAINTENANCE INCORRECTS PEUVENT CAUSER DES BLESSURES OU DES DOMMAGES MATÉRIELS. CONSULTEZ CE MANUEL POUR OBTENIR DES CONSEILS. TOUTE AUTRE RÉPARATION DOIT ÊTRE EFFECTUÉE PAR UN TECHNICIEN QUALIFIÉ.

LISEZ ATTENTIVEMENT ET COMPLÈTEMENT CES INSTRUCTIONS AVANT D'INSTALLER OU D'UTILISER VOTRE APPAREIL AFIN DE RÉDUIRE LES RISQUES D'INCENDIE, DE BRÛLURE OU D'AUTRES BLESSURES. CONSERVER CE MANUEL POUR RÉFÉRENCE FUTURE.

DÉFINITIONS DE SÉCURITÉ

AVERTISSEMENT

CECI INDIQUE QUE L'INOBSERVATION DE CET AVERTISSEMENT PEUT ENTRAÎNER DES BLESSURES GRAVES VOIRE MORTELLES.

PRÉCAUTION

CECI INDIQUE QUE L'INOBSERVATION DE CET AVERTISSEMENT PEUT ENTRAÎNER DES BLESSURES MINEURES OU MODÉRÉES.

AVIS

CECI INDIQUE QUE L'INOBSERVATION DE CET AVERTISSEMENT PEUT ENTRAÎNER DES DOMMAGES DE L'APPAREIL OU DES DÉGÂTS MATÉRIELS.

INSTALLATEUR: LAISSER CE MANUEL AVEC LE PROPRIÉTAIRE DE L'APPAREIL.
PROPRIÉTAIRE: CONSERVEZ CE MANUEL POUR RÉFÉRENCE FUTURE.

TABLE DES MATIÈRES

1	PRÉCAUTIONS DE SÉCURITÉ - AVANT DE COMMENCER
2	NUMÉROS DE MODÈLE
2	PLAQUE SIGNALÉTIQUE
3	RESPECT DE LA RÉGLEMENTATION ET DES CODES EN VIGUEUR
3	EMPLACEMENT ET INSTALLATION / VENTILATION
7	DOSSERET ET ACCESSOIRES
8	BRANCHEMENTS ÉLECTRIQUES
10	PHASE FINALE DE L'INSTALLATION
11	SERVICE
11	APPENDICE

PRÉCAUTIONS DE SÉCURITÉ - AVANT DE COMMENCER

S'il est bien entretenu, cet appareil Hestan procurera un service sûr et fiable pendant de nombreuses années. Lorsqu'on se sert de cet appareil, les pratiques élémentaires suivantes en matière de sécurité doivent être adoptées.

IMPORTANT: Conservez ces instructions à l'intention de l'Inspecteur local des services de l'électricité.

INSTALLATEUR: Veuillez laisser ces instructions d'installation au propriétaire.

PROPRIÉTAIRE: Veuillez conserver ces instructions d'installation pour référence future.

Cette table de cuisson N'EST PAS conçue pour être installée dans des maisons préfabriquées (mobiles) ou dans des véhicules récréatifs. N'installez PAS cette table de cuisson à l'extérieur.

AVERTISSEMENT

RISQUE DE CHOC ÉLECTRIQUE

Débranchez l'alimentation avant d'installer ou d'entretenir l'appareil. Avant de le mettre sous tension, assurez-vous que toutes les commandes sont en position «OFF». Ne pas le faire peut entraîner un choc électrique ou la mort.



MISE À LA TERRE ÉLECTRIQUE

Cet appareil doit être mis à la terre. La mise à la terre réduit le risque de choc électrique en cas de court-circuit. Lisez la section BRANCHEMENTS ÉLECTRIQUES de ce manuel pour des instructions complètes.

- Ne mettez PAS mise à la terre sur un tuyau de gaz.
- N'utilisez PAS de rallonge avec cet appareil.
- N'ayez PAS de fusible dans le circuit NEUTRE ou TERRE. Un fusible dans le circuit NEUTRE ou MISE A LA TERRE pourrait entraîner un choc électrique.

ALIMENTATION ÉLECTRIQUE

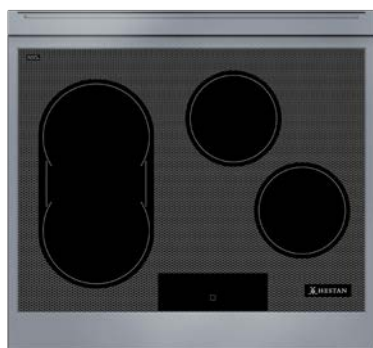
L'appareil doit avoir son propre circuit distinct - 240 VAC, monophasé, 60 Hz, avec une ampérage nominale telle qu'indiquée dans la liste des numéros de modèle à la page 2. Demandez à l'installateur de vous montrer où se trouve le disjoncteur électrique afin de savoir comment couper l'alimentation de cet appareil. Il incombe à l'utilisateur de faire raccorder l'appareil par un électricien agréé conformément à tous les codes locaux, ou en l'absence de ces codes, conformément au Code National de l'Électricité. Lisez la section BRANCHEMENTS ÉLECTRIQUES du cet manuel pour tous les détails.

NUMÉROS DE MODÈLE

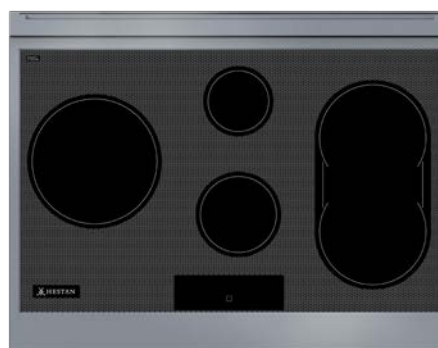
MODÈLES DES TABLES DE CUISSON

NO. MODÈLE	DESCRIPTION	DISJONCTEUR REQUIS
KRTI30	TABLE DE CUISSON À INDUCTION AVEC 4 ÉLÉMENTS, 30 po	40 Ampères
KRTI36	TABLE DE CUISSON À INDUCTION AVEC 5 ÉLÉMENTS, 36 po	50 Ampères

FR



KRTI30



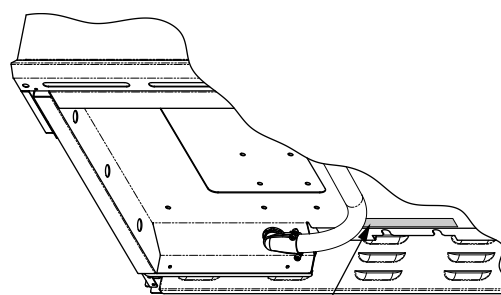
KRTI36

PLAQUE SIGNALÉTIQUE

La plaque signalétique donne des informations importantes sur cet appareil Hestan telles que les numéros de série et de modèle, les caractéristiques électriques, et les dégagements minima d'installation.

La plaque signalétique se trouve sous l'unité.

Si un entretien est nécessaire, contactez le service clientèle de Hestan avec les informations sur le modèle et le numéro de série figurant sur la plaque.



PLAQUE SIGNALÉTIQUE

HESTAN COMMERCIAL CORP. ANAHEIM, CA - USA		MODEL / MODELE KRTI36-BK-XX	SER. NO. / NO. SER. A1220XXXXXX	PATENTED: http://www.hestanhome.com/patents.pdf									
VOLTS 240/208 Hz 60 PHASE 1 AMPS 50	MIN. CLEARANCES / DÉGAGEMENTS <table border="1"> <tr> <td></td> <td>COMBUSTIBLE</td> <td>NON-COMBUSTIBLE</td> </tr> <tr> <td>BACK / ARRIÈRE</td> <td>0"</td> <td>0"</td> </tr> <tr> <td>SIDES / CÔTÉS</td> <td>0"</td> <td>0"</td> </tr> </table>		COMBUSTIBLE	NON-COMBUSTIBLE	BACK / ARRIÈRE	0"	0"	SIDES / CÔTÉS	0"	0"	CONFORMES TO: UL 899 2014 Ed 16-R, 04Jun2018 CSA C22.2 #61 2018 Ed 9 HOUSEHOLD COOKING APPLIANCE	CONFORME À LA NORME: UL 899 2014 Ed 16-R, 04Jun2018 CSA C22.2 #61 2018 Ed 9 APPAREIL ÉLECTROMÉNAGER DE CUISSON	 Intertek 5001516
	COMBUSTIBLE	NON-COMBUSTIBLE											
BACK / ARRIÈRE	0"	0"											
SIDES / CÔTÉS	0"	0"											
VENTED UNIT - SEE INSTALLATION MANUAL UNITÉ VENTILÉE - VOIR LE MANUEL D'INSTALLATION													

Plaque signalétique KRTI36 illustrée

RESPECT DE LA RÉGLEMENTATION ET DES CODES EN VIGUEUR

L'installation de cet appareil de cuisson doit être effectuée conformément aux codes locaux, ou en l'absence de tels codes, au National Electrical Code.

Tous les composants électriques doivent être mis à la terre conformément aux codes locaux ou, en l'absence de tels codes, au National Electrical Code ANSI/NFPA 70 ou au Code national de l'électricité du Canada CSA C22.1.

Cet équipement est conforme à la partie 18 des Règles de la FCC. Cet appareil génère, utilise et peut émettre de l'énergie sous la forme de fréquence radio et, s'il n'est pas installé et utilisé en conformité avec les instructions, il peut provoquer des interférences nocives sur les communications radio. Cependant, il n'existe aucune garantie que des interférences se produiront dans une installation particulière. Si cet appareil provoque des interférences nocives sur la réception radio ou télévision, ce qui peut être détecté en mettant l'appareil sous et hors tension, l'utilisateur est encouragé à essayer de corriger ces interférences en appliquant l'une ou plusieurs des mesures suivantes:

- Réorientez ou déplacez l'antenne réceptrice.
- Augmentez la distance entre l'appareil et le récepteur.
- Branchez l'appareil dans une prise ou un circuit différent de celui sur lequel est branché le récepteur.
- Consultez le revendeur ou un technicien radio / TV expérimenté pour obtenir de l'aide.

Les personnes qui ont un stimulateur cardiaque ou d'autres implants électroniques doivent discuter avec leur médecin ou le fabricant de l'implant pour savoir si cet appareil est suffisamment à l'abri des interférences.

EMPLACEMENT ET INSTALLATION / VENTILATION

DÉBALLAGE ET PLACEMENT

Retirez le carton extérieur et les matériaux d'emballage de la palette d'expédition. Ne retirez pas le film plastique recouvrant les surfaces en acier inoxydable. Ce film protège la finition contre les rayures jusqu'à ce que l'appareil soit installé dans sa position finale.

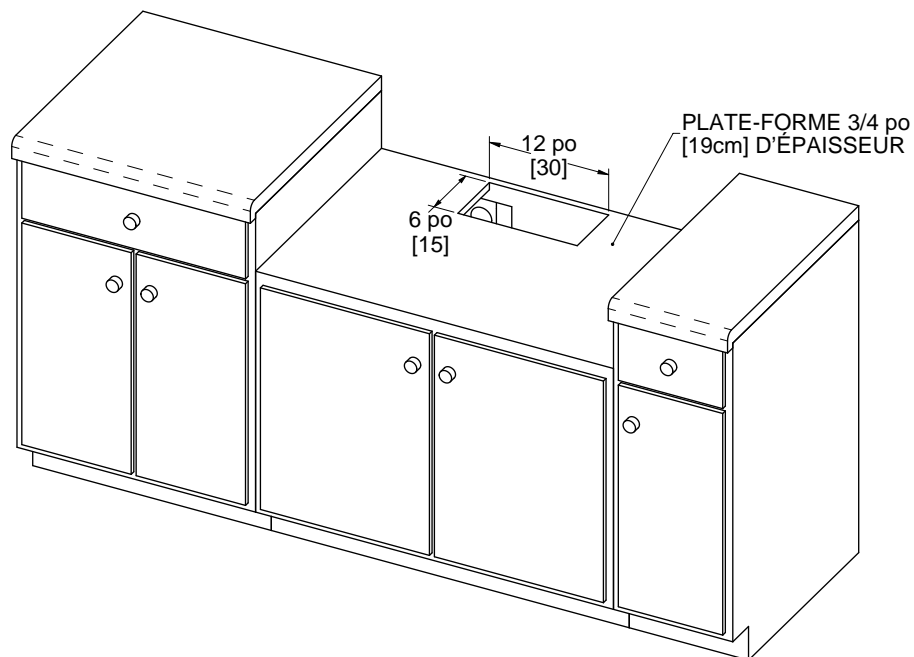
Soyez extrêmement prudent avec la surface en verre céramique. Il peut se fissurer ou se briser s'il n'est pas manipulé avec soin. Déplacez doucement l'unité pour éviter de la faire tomber ou de la secouer excessivement, ce qui pourrait endommager la verre céramique.

L'unité est peu lourde et doit être manipulée avec soin. Utilisez un équipement de sécurité approprié, tel que des gants, et au moins 2 personnes pour mettre l'appareil en position pour éviter les blessures et éviter d'endommager le sol ou l'appareil lui-même.

EMPLACEMENT ET INSTALLATION / VENTILATION (SUITE)

PRÉPARATION

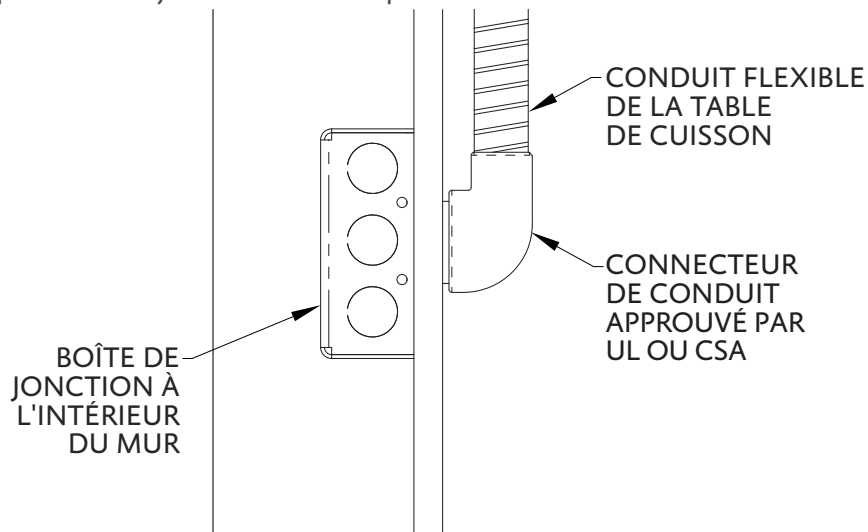
La table de cuisson doit être montée sur une plate-forme stable, tel qu'illustré ici et dans les pages suivantes. La plate-forme doit inclure une découpe de 6 po x 12 po [15,2 x 30,5 cm] au centre arrière pour permettre les connexions électriques. La plate-forme doit également être de niveau pour garantir une surface de cuisson uniforme. La plate-forme doit avoir une épaisseur minimale de 3/4 po [19 cm] pour supporter le poids de l'unité.



FR

DÉGAGEMENTS ET D'APPROVISIONNEMENT ÉLECTRIQUE

S'il n'est pas déjà en place, installez la prise de courant / boîte de jonction comme indiqué dans les dégagements d'installation sur les pages suivantes. Toute ouverture dans le mur ou le sol derrière l'appareil doit être scellé. Le conduit flexible mesure 3 pieds [1 m] de long. La boîte de jonction doit être située tel qu'illustré pour permettre un jeu dans le conduit pour un entretien.



ARMOIRES

Pour éliminer le risque de brûlures ou d'incendie lorsqu'on se penche au-dessus des unités de surface chauffées, il convient d'éviter d'utiliser l'espace de rangement offert par les armoires situés au-dessus des unités de surface. Si on doit prévoir un espace de rangement, le risque peut être réduit en installant la hotte de ventilation de façon à ce qu'elle dépasse horizontalement d'au moins 5 po [12,7 cm] du fond des armoires.

EMPLACEMENT ET INSTALLATION / VENTILATION (SUITE)

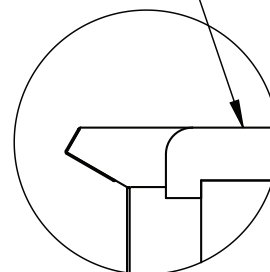
NIVELLEMENT

La table de cuisson doit être de niveau. Soulevez à la hauteur désirée en plaçant des cales sous l'unité au besoin.

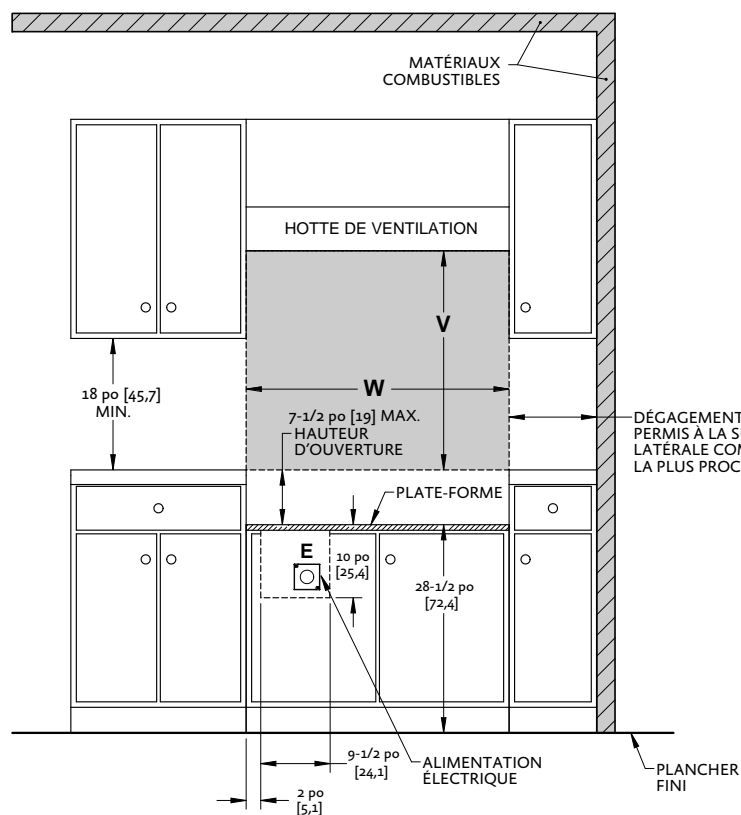
⚠ PRÉCAUTION

Le dessus de l'appareil doit être au même niveau ou plus haut que les surfaces des plans de travail contigus. Le fait de ne pas ajuster la hauteur peut exposer les armoires contigus à une chaleur excessive qui pourrait endommager les armoires ou le plan de travail.

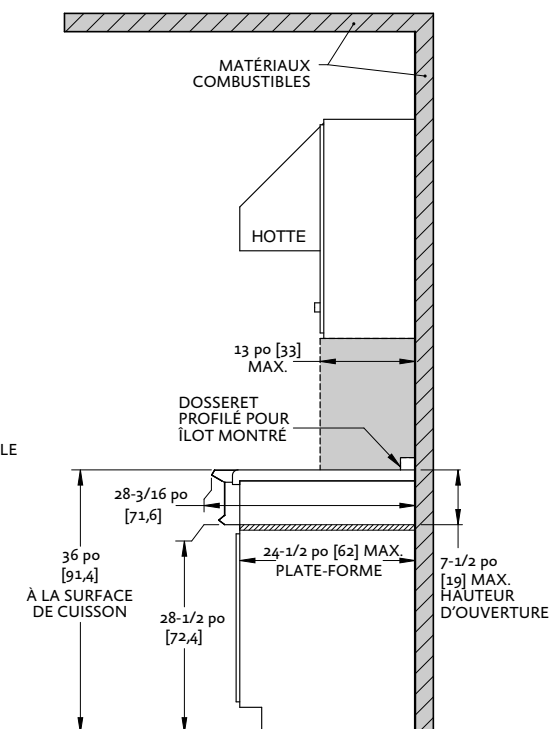
HAUT DE L'APPAREIL /
SURFACE DE CUISSON



DÉGAGEMENTS D'INSTALLATION - TOUS LES DOSSERETS



VUE DE FACE



LES DIMENSIONS ENTRE CROCHETS [] SONT EN CM.

VUE DE CÔTÉ

REMARQUES:

- LES ZONES OMBRÉES INDIQUENT LES ENDROITS OÙ LES MATÉRIAUX COMBUSTIBLES SONT PROHIBÉS.
- LE DESSUS DE L'APPAREIL DOIT ÊTRE AU MÊME NIVEAU OU PLUS HAUT QUE LES SURFACES DES PLANS DE TRAVAIL CONTIGUS.
- «E» EST LA ZONE D'ALIMENTATION ÉLECTRIQUE.
- «W» INDIQUE L'OUVERTURE DESTINÉE À L'APPAREIL.
- «V» INDIQUE LE DÉGAGEMENT MIN. PAR RAPPORT À LA HOTTE DE VENTILATION.

MODÈLES DES TABLES DE CUISSON	W	V (MIN)
KRT130	30" [76.2]	30" [76.2]
KRT136	36" [91.4]	30" [76.2]

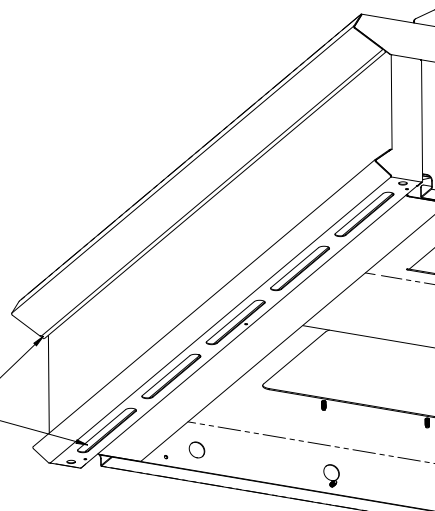
EMPLACEMENT ET INSTALLATION / VENTILATION (SUITE)

ÉVÉNEMENTS POUR AÉRATION AVANT

AVIS

Lorsque vous placez votre table de cuisson dans le meuble, **NE BLOQUEZ PAS** et n'obstruez pas les événements pour aération avant indiqués. Ces événements permettent à l'air de pénétrer dans l'appareil pour maintenir le refroidissement des composants électroniques internes.

ÉVÉNEMENTS POUR
AÉRATION



EXIGENCES DE VENTILATION

Il est fortement recommandé d'installer cet appareil avec une hotte Hestan. Bien que cet appareil n'ait pas la puissance thermique élevée d'une table de cuisson à gaz traditionnelle, l'évacuation de la vapeur (d'eau), des vapeurs et des odeurs de cuisson est toujours souhaitable. Il est très important que l'installation de la hotte et des conduits réponde aux codes de construction locaux et soit réalisée par un technicien qualifié.

N'utilisez pas de système de ventilation à tirage descendant.

Ne montez pas un ensemble four à micro-ondes / ventilateur au-dessus de la table de cuisson. Ces types d'unités n'offrent pas un débit d'air suffisant et n'ont pas été testés avec ce type d'appareil.

Pour les hottes de ventilation non approuvées par Hestan, la hotte de ventilation et /ou le souffleur doivent être évalués à au moins 300 CFM [510 m³/h] pour des tailles de table de cuisson à induction de 30 et 36 po.

Pour les applications en îlot, il est recommandé d'utiliser une hotte d'évacuation plus large de 6 po [15,2 cm] que l'appareil, pour permettre un chevauchement de 3 po [7,6 cm] à gauche et à droite de l'appareil.

Gardez le conduit court aussi court et droit que possible. Les coudes et les raccords de transition réduisent l'efficacité du flux d'air. Hestan recommande de maintenir la longueur du conduit à moins de 50 pieds [15,2 m].

CONSULTEZ VOTRE CONCESSIONNAIRE HESTAN POUR CHOISIR LA HOTTE DE VENTILATION APPROPRIÉ POUR VOTRE APPAREIL HESTAN.

DOSSERET ET ACCESSOIRES

PRÉCAUTION

Les accessoires en tôle tels que le dossier et les zones à l'arrière de la table de cuisson peuvent avoir des bords tranchants. Portez des gants de travail pendant la manipulation et l'installation de ces articles.

DOSSERET

Votre table de cuisson Hestan est fournie en usine avec un dossier Island Trim (à Profilé pour Îlot). Voir le Tableau 1 de la section APPENDICE de ce manuel pour d'autres options de dossier disponibles chez votre concessionnaire Hestan. La sélection du dossier approprié dépend du lieu d'installation et des matériaux contigus, ainsi que du type de hotte à utiliser. Les instructions d'installation accompagnent le kit de dossier.

PRÉCAUTION

Le haut du dossier sert d'échappement pour évacuer la chaleur sous la table de cuisson. NE PAS BLOQUER ou obstruer le haut du dossier. NE PAS toucher le haut du dossier pendant le fonctionnement de l'appareil, car il pourrait chauffer. Lui laisser suffisamment de temps pour refroidir avant de toucher ou de nettoyer cette zone. NE PAS placer à proximité d'objets en plastique ou d'autres objets sensibles à la chaleur qui pourraient fondre ou brûler.

BRANCHEMENTS ÉLECTRIQUES

⚠️ AVERTISSEMENT

RISQUE DE CHOC ÉLECTRIQUE

Débranchez l'alimentation avant d'installer ou d'entretenir l'appareil. Ne pas le faire peut entraîner un choc électrique ou la mort.

MISE À LA TERRE ÉLECTRIQUE

Cet appareil doit être mis à la terre. La mise à la terre réduit le risque de choc électrique en cas de court-circuit. La mise à la terre par le conducteur neutre est interdite pour les nouvelles installations de circuit de dérivation (1996 NEC), ainsi dans les maisons mobiles et les véhicules récréatifs, ou dans une zone où les codes locaux l'interdisent. Cette table de cuisson a été configurée à l'usine pour un branchement à 3 fils.



FR

⚠️ PRÉCAUTION

Une mise à la terre incorrecte entraînera des dysfonctionnements dans l'unité, tels que des étincelles continues des allumeurs. Cela peut endommager l'appareil et créer une situation d'électrocution.

BRANCHEMENT ÉLECTRIQUE

L'appareil doit avoir son propre circuit distinct - 240 VAC, monophasé, 60 Hz, avec un ampérage comme indiqué dans la liste des numéros de modèle à la page 2. L'installation doit être effectuée conformément aux codes locaux, ou en l'absence de codes locaux, elle doit être installée conformément au Code National de l'Électricité, ANSI / NFPA 70.

AVIS

Cette table de cuisson ne nécessite pas de connexion neutre. Si la table de cuisson doit être complètement enfermée dans une armoire, introduisez le câble de la table de cuisson dans l'ouverture de l'armoire.

Effectuez la connexion électrique en suivant les étapes appropriées pour votre installation.

L'appareil est fourni avec un conduit flexible de 3/4 po d'une longueur de 3 pieds [1 m] pour permettre un jeu dans le conduit pour un entretien. **NE COUPEZ PAS LE CONDUIT.** Il doit être connecté directement dans une boîte de jonction avec un connecteur de conduit approuvé par UL ou CSA. Une fois connecté à la boîte de jonction, disposez tout conduit excédentaire sous l'unité avec des attaches pour garder le conduit à l'écart des tiroirs ou autres objets de l'armoire.

- Un fusible temporisé ou un disjoncteur est recommandé.
- Ne mettez PAS mise à la terre sur un tuyau de gaz. Ne pas avoir de fusible dans le circuit de mise à la terre.
- Les deux lignes d'alimentation (phase) doivent être protégées par des fusibles ou un disjoncteur.

⚠️ AVERTISSEMENT

Pour les installations aux États-Unis et au Canada: Cet appareil est équipé de fils de cuivre et il doit être connecté uniquement à des fils de cuivre. Une connexion inadéquate du câble électrique en aluminium peut entraîner un risque d'incendie ou d'électrocution. Utilisez uniquement des connecteurs conçus et certifiés pour la connexion au fil d'aluminium et installés par un électricien qualifié.

BRANCHEMENTS ÉLECTRIQUES (SUITE)

Cet appareil est fabriqué avec un conducteur de terre vert connecté au châssis du table de cuisson. Après vous être assuré qu'il n'y a plus de courant, branchez le conduit flexible depuis le table de cuisson jusqu'au boîtier de raccordement en utilisant un connecteur de conduit approuvé par UL. Les instructions fournies présentant la manière la plus commune de brancher un table de cuisson. Vos codes locaux et règlements sont évidemment prioritaires sur ces instructions. Effectuez les connexions électriques conformément aux codes locaux et les règlements.

⚠ AVERTISSEMENT

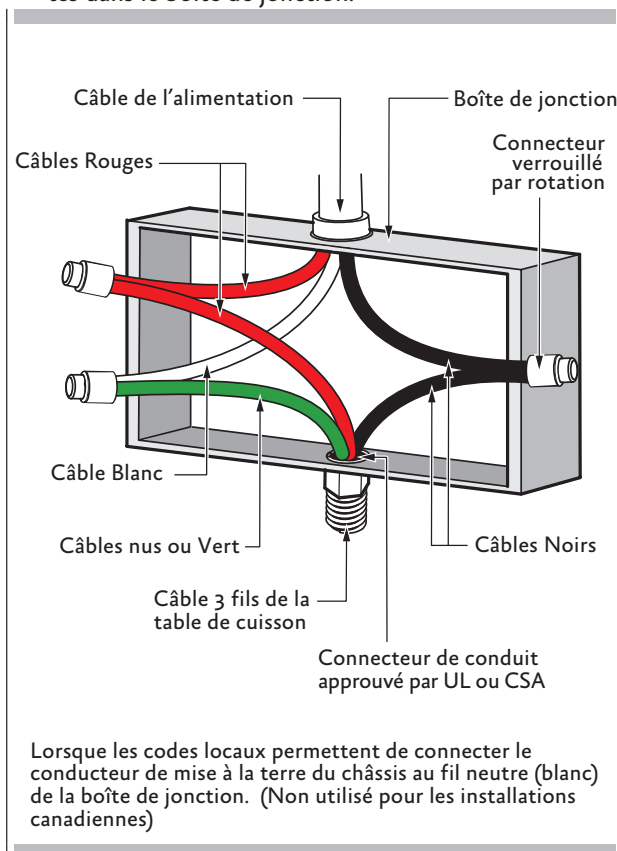
Risque d'électrocution, cadre à la masse à une position neutre d'un appareil par une liaison électrique.

La mise à la terre à travers le conducteur neutre est interdite pour les nouvelles installations de circuit électrique (1996 NEC) ou dans les régions où les codes locaux interdisent la mise à la terre à travers le conducteur neutre. Cette table de cuisson N'EST PAS conçue pour être installée dans des maisons préfabriquées (mobiles) ou dans des véhicules récréatifs. N'installez PAS cette table de cuisson à l'extérieur.

CONNEXION À 3 FILS

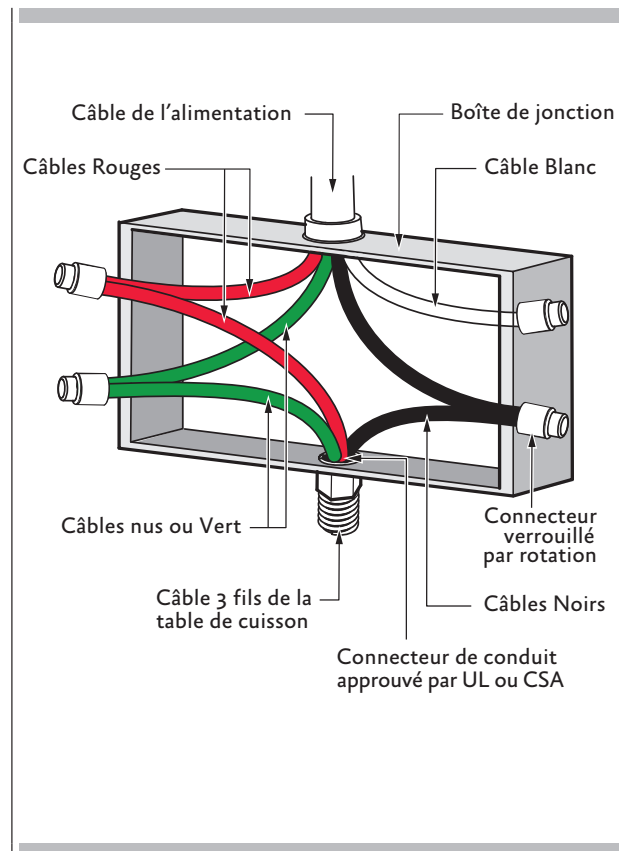
Où les codes locaux permettent la connexion du conducteur de terre de l'appareil au fil neutre du circuit de branchement (fil gris ou coloré blanc):

1. Si les codes locaux le permettent, connectez le conducteur de terre vert du table de cuisson et le fil neutre du circuit de branchement (fil gris ou coloré blanc).
2. Connectez les broches de raccordement du table de cuisson aux broches de raccordement correspondantes dans le boîte de jonction.



CONNEXION À 4 FILS

1. Connectez le conducteur de terre vert du table de cuisson au conducteur de terre dans le boîtier de jonction (câble nu ou coloré vert).
2. Connectez les broches de raccordement rouge et noir du table de cuisson aux broches de raccordement correspondantes dans le boîte de jonction.
3. Raccordez et isolez le câble neutre (gris ou blanc) à la boîte de jonction.



PHASE FINALE DE L'INSTALLATION

Retirez tous les matériaux d'emballage final et le film protecteur de toutes les zones extérieures. Vérifiez les exigences électriques pour l'alimentation électrique correcte et que la table de cuisson est correctement mise à la terre.

Vérifiez l'alimentation des fils de la boîte de jonction à l'aide d'un voltmètre de 0-250 VCA.

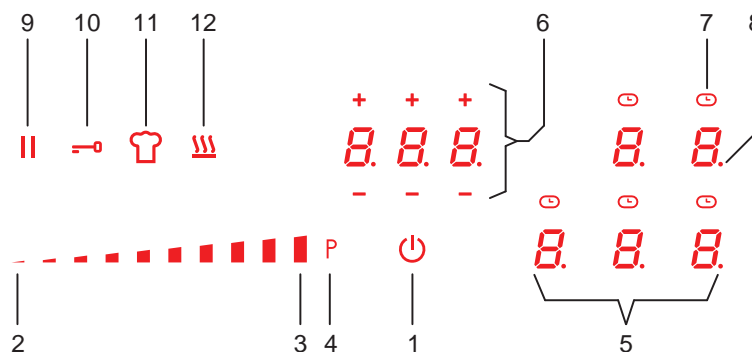
- Une alimentation de 240 volts devrait lire entre 220 et 240 volts entre les fils noir et rouge (ligne à ligne).
- Une alimentation de 208 volts devrait lire entre 190 et 208 volts entre les fils noir et rouge.

Avant de tester le fonctionnement de l'appareil, vérifiez que l'alimentation électrique a été rétablie dans l'unité.

AVIS

BSSAI FONCTIONNEL

1. Remplir un ustensile de cuisson à induction avec 1/2 - 1 po [1.2-2.5 cm] d'eau et le placer sur l'une des zones de cuisson.
2. Allumez la commande en appuyant sur la touche [ON OFF] (1).
 - Si les commandes sont verrouillées, appuyez sur le bouton de verrouillage (10) pendant quelques secondes. Le verrou est désactivé et les commandes doivent répondre.
3. Appuyez sur la touche de sélection de zone (5) pour la zone de cuisson où se trouve l'ustensile de cuisson.
4. Appuyez sur le curseur d'alimentation de cette zone et réglez-le sur un niveau compris entre 3 et 9.
5. Observez que l'affichage répond au réglage de puissance et observez que la ustensile de cuisson commence à chauffer.
6. Appuyez sur la touche de sélection (5) de cette zone pour l'éteindre.
7. Appuyez sur la touche [ON OFF] pour éteindre la table de cuisson.



INTERFACE UTILISATEUR			
1	ON/OFF (Marche / Arrêt)	7	Indicateur de l'horloge de la minuterie (pour chaque zone)
2	Curseur d'alimentation - puissance minimale	8	Point indicateur de sélection
3	Curseur d'alimentation - puissance maximale	9	Fonction de pause / rappel
4	BOOSTER (amplificateur) de Puissance (P)	10	Fonction de verrouillage des touches
5	Affichages de la zone de cuisson	11	Fonction Chef Cook
6	Affichage de la minuterie et touches de réglage + / -	12	Fonction de Réchauffement

CRITERIA

Si les commandes répondent comme décrit et si l'ustensile chauffe, le test est réussi.

SERVICE

Toutes les réparations sous garantie et hors garantie doivent être effectuées par un technicien qualifié. Pour trouver un réparateur agréé dans votre région, contactez votre concessionnaire Hestan, votre représentant local, ou Hestan. Avant d'appeler, veuillez avoir sous la main le numéro de modèle et le numéro de série.

Hestan Commercial Corporation
3375 E. La Palma Avenue
Anaheim, CA 92806
(888) 905-7463

FR

APPENDICE

TABLEAU 1 - OPTIONS DU DOSSERET		
MODÈLES DES TABLES DE CUISSON	MODÈLE DE DOSSERET	DESCRIPTION
KRTI30	KBGIT30*	DOSSERET, PROFILE POUR ÎLOT, 30 PO
	KBGLB30	DOSSERET, ARRIÈRE BAS, 30 PO
	KBGHS30	DOSSERET, ÉTAGÈRE HAUTE , 30 PO
KRTI36	KBGIT36*	DOSSERET, PROFILE POUR ÎLOT, 36 PO
	KBGLB36	DOSSERET, ARRIÈRE BAS, 36 PO
	KBGHS36	DOSSERET, ÉTAGÈRE HAUTE , 36 PO

* INCLUS AVEC LA TABLE DE CUISSON

**RETAIN THIS MANUAL FOR FUTURE REFERENCE
CONSERVEZ CE MANUEL POUR UNE RÉFÉRENCE FUTURE**



Hestan Commercial Corporation

3375 E. La Palma Ave.

Anaheim, CA 92806

(888) 905-7463