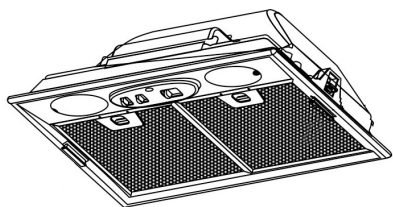


CCB 5140 XA

Hood

User Manual



BEKO

Please read this user manual first!

Dear Customer,

Thank you for preferring a Beko product. We hope that you get the best results from your product which has been manufactured with high quality and state-of-the-art technology. Therefore, please read this entire user manual and all other accompanying documents carefully before using the product and keep it as a reference for future use. If you handover the product to someone else, give the user manual as well. Follow all warnings and information in the user manual.

Remember that this user manual is also applicable for several other models. Differences between models will be identified in the manual.

Explanation of symbols

Throughout this user manual the following symbols are used:



Important information or useful hints about usage.



Warning for hazardous situations with regard to life and property.



Warning for electric shock.



Packaging materials of the product are manufactured from recyclable materials in accordance with our National Environment Regulations.

Do not dispose of the packaging materials together with the domestic or other wastes. Take them to the packaging material collection points designated by the local authorities.



This product was manufactured using the latest technology in environmentally friendly conditions.

1 Recommendations and Suggestions 4

1 Recommendations and Suggestions 5

2 Characteristics 6

2.1 Components6

2.2 Technical Specifications6

3 Installation 7

3.1.Electrical connection7

3.2 Preparation7

3 Installation 8

3.3 Connection with flue and carbon filter8

3.4 Transportation8

3.5 Disposal of packaging.8

4 Use 9

4.1 Control panel9

5 Maintenance 10

5.1 Cartridge type oil filters10

5.2. Carbon filters (optional):10

5.3 Cleaning the hood10

5.4.Replacement of lamps10

6 Troubleshooting Suggestions 11

1 Recommendations and Suggestions

Please review the following information. Failure to comply with these instructions may cause risk of personal injury or material damage. Any warranty or commitment of reliability shall be void.

- Service life of the product you have purchased is 10 years. This is the period required for availability of spare parts for functioning of the product.
- This appliance is intended for domestic use. The product shall never be used for any purpose other than its intended use.
- You can use a pipe with a diameter of 120 mm on the flue connection of your hood. Pipe connection shall be as short as possible and have minimum number of elbows.
- Do not make connections to the flues connected with stoves, exhaust shafts or flues with rising flames.
- The height between the lower surface of the hood and upper surface of the stove/oven should not be less than 45 cm.
- Turn on your hood after you have placed the pot or pan onto the burners in order to prevent heat damage to your hood. Turn off the burners before taking a pot, pan etc. from the burners when you are done.
- Do not operate the hood without aluminum filters and do not remove the filters while it is operated.
- This appliance shall be connected to a grounded mains outlet that is protected by a fuse with proper capacity.
- Do not plug in the hood before it is installed.
- Do not touch the plug with wet hands. Do not hold the cable to remove the plug, always pull out the plug by holding the plug itself. Never use the appliance if the plug or the power cord is faulty.
- Do not route power cord close to hobs. Cord may melt and cause a fire.
- Do not touch the lamps of the hood after operating it for a long time. Hot lamps may burn your hand.
- Do not operate the hood without oil filter; otherwise internal parts of the hood may get dirty.
- Overheated oil may splash over the hood and may cause a fire; therefore, do not leave the hob unattended while frying. Be careful that the covers and curtains do not catch a fire.
- Do not allow high flames under the hood. Otherwise, oil in the aluminum filter may ignite and lead to a fire.
- Do not keep easily flammable materials under your hood.
- There is a risk of fire if your hood is not cleaned in the specified periods.
- Operate your hood for 15 minutes more after the end of cooking or frying in order to remove unpleasant smell from the air in the kitchen.
- Ensure that fresh air enters the kitchen, especially when the hood is operated together with the gas hobs.
- If an appliance operated with fuel oil or gaseous fuels (such as room heaters) is available in the environment where your hood shall be operated, the exhaust of that appliance shall be fully isolated from the volume of the room or the appliance shall be of hermetic type.
- If there is non-electric appliance in the same room with the hood, the negative pressure inside the room should be maximum 0.4 mbar to prevent the suction of the waste gas from the other appliance by the hood into the room again.

1 Recommendations and Suggestions

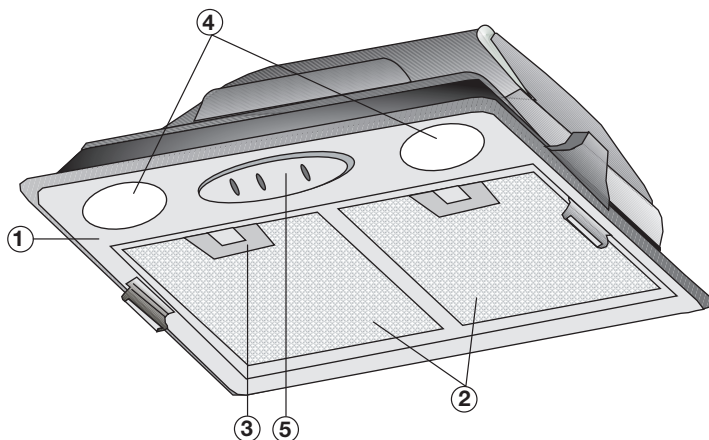
- Do not make connections to the flues connected with stoves, exhaust shafts or flues with rising flames. Observe the rules set by authorities on the discharge of exhaust air.
- Electrical appliances may be risky for children. Keep the children away from the appliance when it is operated; do not let them play with the appliance.
- Packaging materials may be risky for children. Keep all packaging materials away from the children and dispose them of by classifying them as per the waste instructions.
- The fan of the hood shall be operated in the proper level as required.
- There shall be adequate ventilation of the room when the range hood is used at the same time as appliances burning gas or other fuels. (Not applicable to appliances that only discharge the air back into the room)
- There is a risk of fire if cleaning is not carried out in accordance with the instructions.
- Do not flambé under the range hood.
- Caution: Accessible parts may become hot when used with a cooking appliance.
- The appliance is not intended for use by persons (including children) with reduced physical, sensory or mental capabilities, or lack of experience and knowledge, unless they have been given supervised or instruction concerning use of the appliance by a responsible person for their safety.
- Young children should be supervised to ensure that they do not play with the appliance.
- If the supply cord is damaged, it must be replaced by the manufacturer or its service agent or a similarly qualified person in order to avoid a hazard.
- The exhaust air must not be discharged into a flue which is used for exhausting fumes from other appliances burning gas or other fuels. (Not applicable for appliances which only discharge air back into the room)
- The minimum distance between the supporting surface for the cooking vessels on the hob and the lowest part of the range hood: When the range hood is located above a gas appliance, this distance shall be 65cm. If the instructions for installation for the gas hob specify a greater distance, this must be taken into account. (The distance of 65cm can be reduced for non combustible parts of range hoods and parts operating at safety extra low voltage provided these parts do not give access to live parts. Distance may be reduced to 60cm to align with the AGA code.
- Regulations concerning the discharge of air have to be fulfilled
- Warning: Failure to install the screws or fixing device in accordance with the instructions may result in electrical hazards.

The instructions must include details concerning cleaning instructions and frequency of cleaning.

2 Characteristics

2.1 Components

- 1 Hood body
- 2 Aluminum filter
- 3 Aluminum filter lock
- 4 Light
- 5 Control panel



2.2 Technical Specifications

Width (mm)	702
Depth (mm)	284
Height (mm)	204
Supply voltage	220-240 V ~ 50 Hz
Control	3 positions
Suction power	420 m ³ /h
Motor power	140 W
Lamp power	2x28 W
Total power	196 W
Fuse	16 A
Air outlet pipe diameter	120 mm
Net weight	5.2 kg
Gross weight	6.4 kg
Color	Inox

Markings on the product or the values stated in other documents supplied with the product are values obtained under laboratory conditions as per relevant standards. These values may vary according to the usage of the product and ambient conditions.

3 Installation



Caution:

Preparation of the installation place and electric wiring is the responsibility of the customer.



Note:

The height between the lower surface of the hood and upper surface of the oven/hob should not be less than 65 cm.

Assembly and electrical connections must be carried out by specialized personnel.

Remove the protective film (if any) on the hood and flue surface after the installation.



Note:

An omnipolar switch with a minimum opening of 3mm between contacts, in line with the electrical load and local standards, must be placed between the appliance and the mains network in the case of direct connection to the mains network.

Once the electrical connection has been completed, check that the top illumination, motor and speeds work properly.



Caution:

Any damaged power cord must be replaced by a qualified electrician. Do not operate the appliance before it is repaired! Risk of electric shock!

3.1. Electrical connection

The hood shall be connected to an ungrounded mains outlet that is protected by a fuse with proper capacity.

Your appliance is manufactured with a supply cord with 2 threads, and it should be connected to the mains supply with an electric switch that has a minimum clearance of 3 mm between the 2-pole terminals.



Caution:

Have a qualified electrician perform the electric connection.



Note:

Connection shall comply with national regulations.

The power outlet shall be reached easily after installation.

Voltage and fuse protection allowed is specified in "Technical Specifications."

Specified voltage shall be equivalent with your mains voltage.

Do not connect the appliance with extension cords or multiple outlets.

3.2 Preparation

Make a rectangular opening in the base of the overhead cupboard or hood, leaving a minimum of 13 mm from the outer edges according to the dimensions indicated in the table.

Drill a hole into the upper side of the cupboard in accordance with the dimensions of the duct used for both the extraction and recirculation.

Dismantle the ducting support by pulling the two knobs (A) (fig. 1) simultaneously:

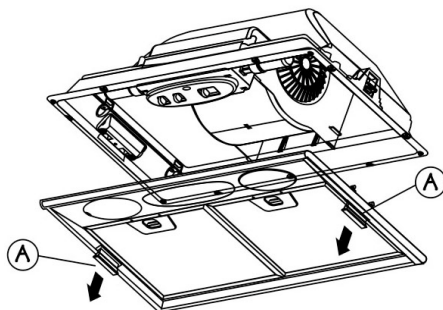


Figure 1

3 Installation

Fixing the frame with screws:

Fix the hood to the cupboard, using the self-threading screws (No. 8) provided with the accessories (fig. 2).

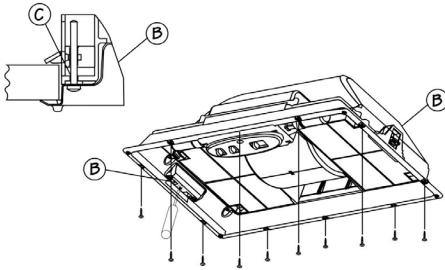


Figure 2

Rapid fixing with side supports:

The appliance (B) is intended to be used with a panel thickness from 15 mm to 30 mm. Insert the group into the opening until the two devices (B) connect. Lock the adjustment screw (C) until the built-in group adheres tightly to the surface (fig. 2).

Close the ducting support by pushing and connecting the two knobs (A) (fig. 3).

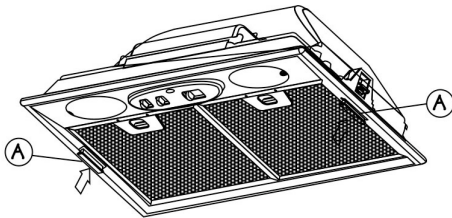


Figure 3



Caution:

Do not connect the air outlet of the hood to the same extraction channel used to circulate hot air or for extracting fumes generated by devices running on a power source other than electricity.

3.3 Connection with flue and carbon filter

Connection with flue:

The hood can be ducted to outdoor using either a rigid or a flexible 100 or 120 mm duct to be fixed with suitable clamps which are not provided with the product (fig. 2).

If the hood is provided with the carbon filters fitted, the filters should be removed.

Connection with carbon filter (optional):

Carbon filters must be installed on the hood for usage with carbon filters.

The air is recirculated into the kitchen through the opening located on the upper side of the cupboard or the hood (fig. 3).

3.4 Transportation

Disconnect the appliance from mains supply and remove the hood first if you need it to be transported. Transport the appliance with its original package if possible, and observe the transport markings on the original package. If the original package is not available, pack the appliance so that it will not be damaged.

3.5 Disposal of packaging

Packaging materials may be risky for children. Keep the packaging material out of the reach of children.

Package of your product is made of recyclable materials.

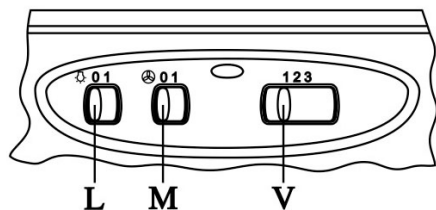


Figure 4

4.1 Control panel

Light button (L) : Controls the top illumination.

Motor button (M) : Controls the motor power and the fan speed.

Speed 1: Low speed. This should be selected when simmering or using only one pan; provides minimum noise level.

Speed 2: Medium speed. This should be selected for normal cooking. This speed offers the best ratio between air capacity and noise level.

Speed 3: Top speed This should be selected when frying or cooking food with strong odors, even for a long period.

Your hood is equipped with a motor with various speed settings. For a better performance, we advise you to use low speeds in normal conditions, and high speeds when smell and vapors are intensified.

5 Maintenance

**Note:**

Service your hood periodically!
Service is also required to prevent burning of oil filter besides obtaining better performance and better efficiency.

5.1 Cartridge type oil filters

Cleaning

Cartridge type filters shall be cleaned every two months in normal use. It may be cleaned in a dishwasher or by hand using mild detergent or liquid soap.

Cartridge type filters are easily removed, one at a time, by pushing it slightly towards the rear of the hood while pulling downwards (fig. 5).

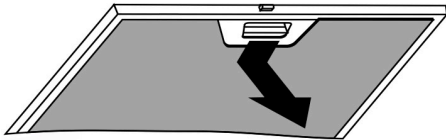


Figure 5

**Note:**

There could be a possible fire hazard if the filters are not replaced according to these instructions

5.2. Carbon filters (optional):

In the recirculation mode the carbon filters absorb smell and odors.

Carbon filters cannot be washed or regenerated. They must be replaced every 2 months or more frequently if the hood is used consistently.

Replacement:

- Dismantle the ducting support by pulling the two knobs (A) (fig. 1) simultaneously to remove the ducting grill.
- Replace the carbon filter.
- Close the ducting grill.

5.3 Cleaning the hood

- Hood must only be cleaned when it is unplugged from mains outlet or when the fuse is switched off!
- Hood must not be cleaned with a vapor cleaner as it is not ensured that it would operate safely afterwards due to water vapor.

Outer surfaces of the hood must be cleaned with a mild cleaning agent (e.g. dish soap). Do not use strong cleaning agents, abrasive agents or sharp objects.

Stainless steel surfaces shall be cleaned with a commercially available stainless steel cleaning agent and a soft, non-abrasive sponge or cloth. In order to prevent scratches, wiping action shall be performed on the direction of surface structure while you are cleaning the stainless steel surfaces.

5.4. Replacement of lamps

Illumination is made with 2 pieces of 28 W lamps. If the lamps do not work, open the suction grille and check that they are properly fitted. If the lamps have burned out they must be replaced with new ones at equivalent voltage and power.

Replacement:

28 W lamp (fig. 6): unscrew the burned out lamp and fit the new one.

When replacing, ensure that the pins are correctly inserted into the lamp holders.

Install the suction grille back.

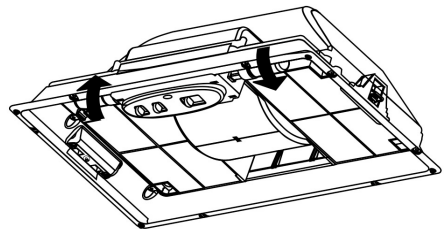


Figure 6

6 Troubleshooting Suggestions

Problem	Explanation / Suggestion
Hood operates incorrectly	Turn off the hood with sliding switches and cut off electricity supply for a few seconds by removing the plug or closing the fuse.
Hood does not operate	<ul style="list-style-type: none"> - Is the plug connected to mains outlet? - Is the fuse in the household installation burnt off? - Did you press the fan buttons?
Suction power of the hood is inadequate	<ul style="list-style-type: none"> - Is the correct fan level set? - Is the aluminum cartridge type oil filter or carbon filter cleaned in time? - Is the air taken from the kitchen compensated with adequate amount of fresh air to prevent vacuuming? - Are the air outlet holes blocked? - Is the air outlet piping sized or installed incorrectly during installation? (e.g. small diameter, long air outlet pipe, air outlet with many turns)
Operating noise increased abruptly	Is adequate amount of fresh air supplied to the kitchen in air extraction mode?
Operating noise increased in the course of time	Have you conformed with the maintenance intervals of the filters; i.e. is any air passage possible?
Illumination is disabled	<ul style="list-style-type: none"> - Is the fuse in the household installation burnt off? - Is the lamp faulty? - Is the new lamp seated correctly?



Beko Manufacturers Guarantee

Congratulations on purchasing a quality Beko product. Beko automatically provide you with a 2 year Manufacturers Guarantee, covering parts and labour for servicing within the geographical limits of Australia and New Zealand.

General Terms and Conditions

For Australian Consumers

This guarantee is an extra benefit and does not affect your legal rights. Our goods come with guarantees that cannot be excluded under the Australian Consumer Law. You are entitled to a replacement or refund for a major failure and for compensation for any other reasonably foreseeable loss or damage. You are also entitled to have the goods repaired or replaced if the goods fail to be of acceptable quality and the failure does not amount to a major failure.

For New Zealand Consumers

This guarantee is an extra benefit and does not affect your legal rights. Nothing in this guarantee purports to modify or exclude the conditions, guarantees and undertakings, and other legal rights, under the New Zealand Consumer Guarantees Act and other laws, except in those circumstances contemplated by section 43(2) of the New Zealand Consumer Guarantees Act.

Beko Guarantee

The Beko Manufacturers' Guarantee provides additional protection for your Beko Product, and it identifies a preferred approach to resolving product claims which will allow for a quick and simple process for all parties, subject to our terms and conditions below.

To enable us to assist you in the most expedient way please contact us by phoning the Toll free number (relative to your country of residence) as listed below. Please ensure you refer to your user manual and in particular the section headed "**Recommended Solutions for the problems**" before phoning.

The commencement date of this guarantee starts on the day of purchase and proof of purchase must be supplied to the Beko Service Centre prior to commencement of any guarantee work.

Terms and Conditions

Beko Australia and New Zealand Pty Ltd guarantees to the original purchaser to repair, or at its option replace, without charge to the owner for any part which is not of 'acceptable quality' within two years of date of purchase.

"No Lemon Guarantee" * if the product fails more than 2 times during the Guarantee period due to the same type failure caused by the same part, we will automatically replace the product with an equivalent product free of charge.

Food Spoilage*

If your product is a fridge or freezer, we will reimburse you for food which due to a valid fault as per our guarantee is spoilt; reimburse you as per the benefits below:

Up to 200 Litre	\$100.00
>200 Litre - 400 Litre	\$200.00
>400 Litre - 600 Litre	\$300.00
>600 litre	\$350.00

* Subject to a valid claim under the terms and conditions of this Guarantee

To be eligible for this Guarantee the product must be purchased from an Authorised Reseller in Australia or New Zealand.

What is not covered under this Guarantee

1. Any service calls in which the problem is found not to be caused or related to any defect in the Product. In this instance, the cost of the service call will be charged to you. Examples (but not limited too) of no product fault listed below:
 - a. Correcting the installation, e.g. levelling of product, adjustment of drain crossed or kinked hoses, leakage of hoses if incorrectly fitted, removal of transit bolts (front loading washers), noises due to water hammer and/or power supplies.
 - b. Replacing fuses or correcting house power wiring or house plumbing issues.
 - c. Failure due to incorrect set up or requiring instructions normally covered in user manual.
 - d. Blocked pumps, removal of foreign objects/substances from the washing machine, e.g. socks, bra wires, dirt etc.
 - e. Normal noise or vibration
 - f. Infestation of pests, insects or vermin

2. This Guarantee does not cover damage caused by:
 - a. Misuse or abuse of the Beko Product
 - b. Accidental damage of any kind
 - c. Rust and Corrosion where the product is located within a corrosive environment
 - d. Discolouration of burners or trivets on gas cooktops or chrome surrounds
 - e. Incorrect operation or not following the operation instructions as stated in the user manual.
 - f. Improper installation
 - g. Failure to clean or improper cleaning
 - h. Use of incorrect non – compliant electrical or gas connections
 - i. External sources including but not limited to electrical interference, power surges or voltage fluctuations.
 - j. Any loss caused by civil commotion
 - k. Any loss caused from extreme events of nature including but not limited to, flood, cyclone, severe storm and earthquake
 - l. Use of non genuine/authorised parts
 - m. Any repair or other work carried out on the Beko product other than by an Authorised Beko Service Personnel.

3. This Guarantee does not cover costs associated with replacing and servicing of consumable parts. E.g. lamps & bulbs, filters

This Guarantee has been designed for Products used in normal domestic environment. Our products are not designed for commercial use. Any commercial use may affect this Product's Guarantee.

Service under this Manufacturer's Guarantee is provided by the Beko Australia and New Zealand Authorised Repairer.

The Guarantee is provided by Beko Australia and New Zealand Pty Ltd (ABN: 49 152 055 162) of 55 Blanck Street, Ormeau, QLD Australia 4208, P O Box 354 Ormeau QLD Australia 4208.

In Australia if you need assistance.... Toll Free 1300 282 356

Email: Beko.care@Beko.com

In New Zealand if you need assistance.... Toll Free 0800 69 2356

Email: Beko.care@Beko.com

