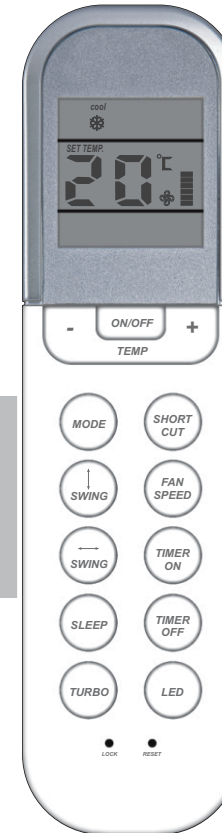


Rinnai

Rinnai

Remote Control Operation Manual Split Type Air Conditioner



To Suit Models

| Wall Mounted | Cassette |
|--------------|----------|
| HINRA26M | CIN050A |
| HINRA35M | CIN070A |
| HINRA50M | CIN100A |
| HINRA70M | CIN120A |
| HINRA80 | CIN140A |

Rinnai Australia Pty. Ltd. ABN 74 005 138 769

Head Office

100 Atlantic Drive,
Keysborough VIC 3173

P.O. Box 460
Braeside, Victoria 3195

Rinnai has a Service and Spare Parts network with personnel who are fully trained and equipped to give the best service on your Rinnai appliance. If your appliance requires service, please call our National Help Line. Rinnai recommends that this appliance be serviced once a year.

Product Sales and Service - National
Phone: 1300 555 545* Fax: 1300 555 655*
Technical Helpline and Spare Parts
National (Mon-Fri 8am - 5.30pm EST)
Phone: 1300 555 545* Fax: 1300 300 141*
*Cost of a local call higher from mobile or public phones.

E-mail: enquiry@rinnai.com.au

For further information visit: www.rinnai.com.au

Part Number: B063803
December 2016
EQPL38586755
Issue A

This appliance shall be installed in accordance with:

- Manufacturer's Installation Instructions
- Current AS/NZS 3000
- Local Regulations and Municipal Building Codes including local OH&S requirements

This appliance must be installed, maintained and removed by an Authorised Person.
For continued safety of this appliance it must be installed and maintained accordance with the manufacturer's instructions.

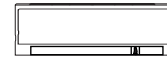


N10378

CONTENTS

| | |
|--|-----------|
| <i>Handling the Remote Control</i> | 2 |
| <i>Remote Control Specifications.....</i> | 3 |
| <i>Function Buttons</i> | 5 |
| <i>Indicators on LCD</i> | 7 |
| <i>System Operation</i> | 8 |
| <i>Auto Operation.....</i> | 8 |
| <i>Cooling/Heating/Fan Operation.....</i> | 8 |
| <i>Dehumidifying (DRY) Operation</i> | 9 |
| <i>Adjusting Air Flow Direction</i> | 9 |
| <i>Timer Operation.....</i> | 10 |

Handling the Remote Control



Location of the remote control.

- Use the remote control within a distance of 8 meters from the appliance, pointing it towards the receiver. Reception is confirmed by a beep.

CAUTIONS

- The air conditioner will not operate if curtains, doors or other materials block the signals from the remote control to the indoor unit.
- Prevent any liquid from falling into the remote control. Do not expose the remote control to direct sunlight or heat.
- If the infrared signal receiver on the indoor unit is exposed to direct sunlight, the air conditioner may not function properly. Use curtains to prevent the sunlight from falling on the receiver.
- If other electrical appliances react to the remote control, either move these appliances or consult your local dealer.

Replacing Batteries

The remote control is powered by two AAA batteries housed under the removable rear cover.

- (1) Remove the cover by pressing and sliding off.
- (2) Remove the old batteries and insert the new batteries, placing the (+) and (-) ends correctly.
- (3) Reattach the cover by sliding it back into position.

NOTE: When the batteries are removed, the remote control erases all programming. After inserting new batteries, the remote control must be reprogrammed.

CAUTIONS

- Do not mix old and new batteries or batteries of different types.
- Do not leave the batteries in the remote control if they are not going to be used for 2 or 3 months.
- Do not dispose batteries as unsorted municipal waste. Batteries can be taken to specialist waste transfer stations.

Remote Control Specifications

| | |
|------------------------|----------------------------------|
| Model | RG36F5/BGEF |
| Rated Voltage | 3.0V(2x AAA 1.5 Volt Batteries) |
| Signal Receiving Range | 8m |
| Environment | -5°C ~ 60°C |

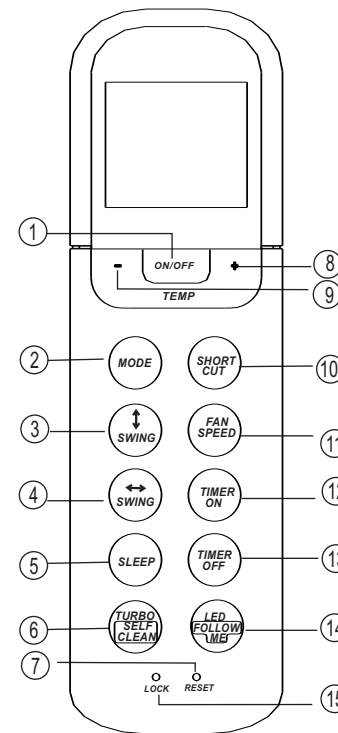
Performance Features

1. Operating Modes: AUTO, COOL, DRY, HEAT and FAN.
2. Timer Setting Function in 24 hours.
3. Indoor Setting Temperature Range : 17°C~30°C.
4. Full function LCD (Liquid Crystal Display).

NOTE:

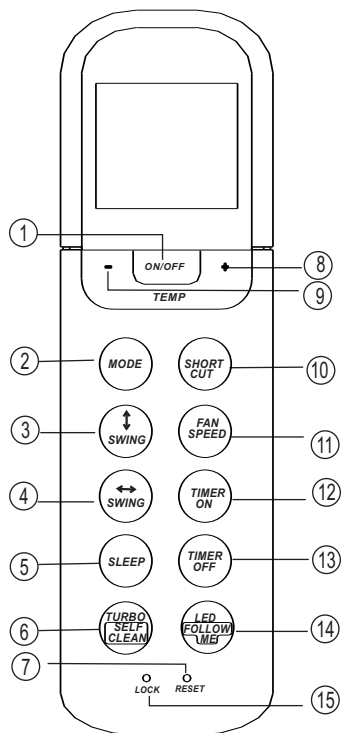
- Remote control button design may be slightly different from the one supplied depending on the individual model
- All the functions described are associated with the relative indoor unit. If the indoor unit does not have a particular feature, there is no corresponding operation performed by the indoor unit.

Function Buttons



- 1 ON/OFF Button**
 Operation starts when this button is pressed and stops when this button is pressed again.
- 2 MODE Button**
 Each time the button is pressed, the operation mode is selected in a sequence as follows:
 →AUTO → COOL → DRY → **HEAT** → FAN
- 3 Swing ⇕ Button**
 Used to stop or start horizontal louver movement or set the desired up/down air flow direction. The louver changes 6 degree in angle for each press. If pressed for more than 2 seconds, the louver will swing up and down automatically.
- 4 Swing ⇔ Button**
 Used to stop or start vertical louver movement and set the desired left/right air flow direction. The vertical louver changes 6 degree in angle for each press. And the temperature display area of indoor unit displays '↑↑' for one second. If pressed for more than 2 seconds, the vertical louver swing feature is activated. And the display area of indoor unit displays '||||', flashes four times, then the temperature setting reverts back. If the vertical louver swing feature is stopped, it displays 'LC' and remains on for 3 seconds.
- 5 SLEEP Button**
 - Active/Disable sleep function. It maintains the most comfortable temperature and saves energy.
 - For details, see "SLEEP operation" in "USER'S MANUAL".
NOTE: While in SLEEP mode, the SLEEP mode is cancelled when the FAN or ON/OFF buttons are pressed.

Function Buttons



6 TURBO/SELF CLEAN Button:

Press this button to initiate the LED function. Press and hold this button for more than 2 seconds and the FOLLOW ME function is initiated. When the Follow Me function is activated, the remote display is actual temperature at its location. The remote control will send this signal to the air conditioner at 3 minute intervals until you press the FOLLOW ME button again. The Follow Me function is not available under DRY and FAN mode. Switching the operational mode or turning off the unit will cancel the FOLLOW ME function.

7 RESET Button:

When you press the recessed RESET button, all current settings are cancelled and the control will return to the initial settings.

8 UP Button (+)

Press this button to increase setting temperature or to increase Hours during Timer setting.

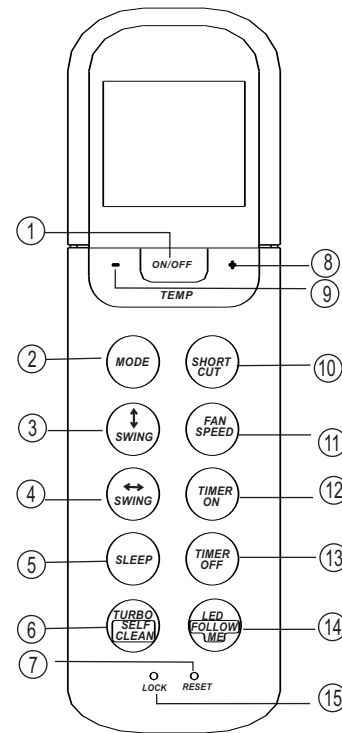
9 DOWN Button (-)

Press this button to decrease setting temperature or to decrease Hours during Timer setting.

10 SHORTCUT Button

- Used to restore the current settings or resume previous settings.
- When first connected to power, pressing the SHORTCUT button will activate the AUTO mode, 24°C, and fan speed is Auto.
- Pressing this button when unit is on, the system will automatically revert back to the previous settings including operating mode, setting temperature, fan speed level and sleep feature (if activated).
- If pressed and held for more than 2 seconds, the system will automatically restore the current operation settings including operating mode, setting temperature, fan speed level and sleep feature (if activated).

5



11 FAN SPEED Button

Used to select the fan speed in four steps:
 → AUTO → LOW → MED → HIGH

12 TIMER ON Button

Press this button to initiate the auto-on time sequence. Each press will increase the auto-timer setting in 30 minutes increments. When the setting time displays 10H, each press will increase the auto-timer setting 60 minutes increments. To cancel the auto-timer program, simply adjust the auto-on time to 0.0.

13 TIMER OFF Button

Press this button to initiate the auto-off time sequence. Each press will increase the auto-timed setting in 30 minutes increments. When the setting time displays 10H, each press will increase the auto-timer setting 60 minutes increments. To cancel the auto-timer program, simply adjust the auto-off time to 0.0.

14 LED/FOLLOW ME function

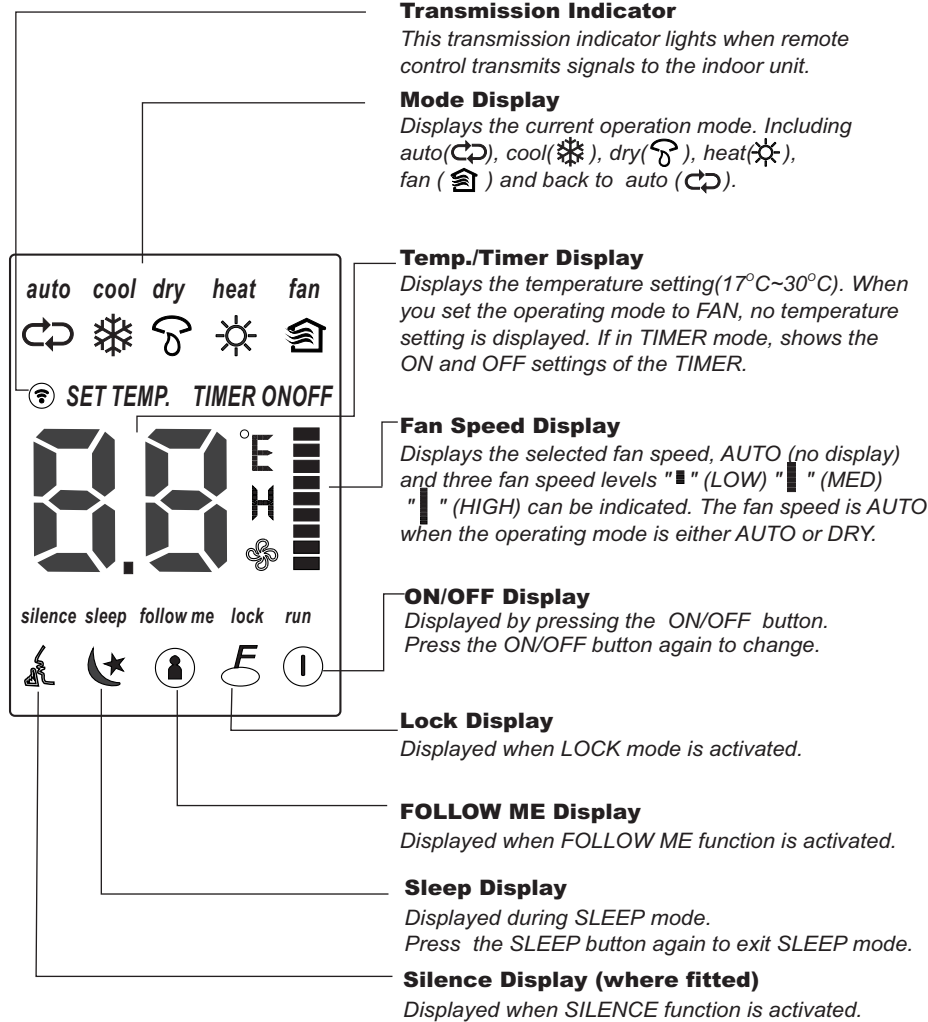
Press this button to initiate the LED function. Press and hold this button for more than 2 seconds and the FOLLOW ME function is initiated. When the Follow Me function is activated, the remote display is actual temperature at its location. The remote control will send this signal to the air conditioner at 3 minute intervals until you press the FOLLOW ME button again. The Follow Me function is not available under DRY and FAN mode. Switching the operational mode or turning off the unit will cancel the FOLLOW ME function.

15 LOCK Button

When you press the recessed LOCK button, all current settings are locked in and the remote control does not accept any operation except that of the LOCK. Press again to cancel the LOCK mode.

6

Indicators on LCD



Note:

All indicators shown in the figure are for the purpose of presentation. During the actual operation of the remote control only the relative functional signs are shown in the display window.

7

System Operation

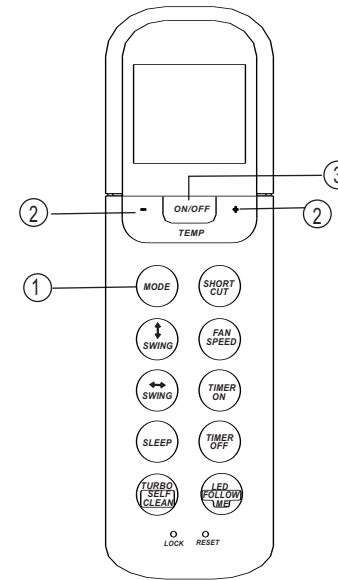
Auto Operation

Ensure the unit is plugged in and power is available. The OPERATION indicator on the display panel of the indoor unit will start flashing.

1. Press the **MODE** button to select Auto.
2. Press the **UP/DOWN** button to set the desired temperature. The temperature can be set within a range of 17°C~ 30°C in 1°C increments.
3. Press the **ON/OFF** button to start the air conditioner.

NOTE

1. In the Auto mode, the air conditioner will logically choose Cooling, Fan, or Heating mode by sensing the difference between the actual ambient room temperature and the set point temperature on the remote control.
2. In the Auto mode, you can not control the fan speed. It is automatically controlled by the unit.
3. If the Auto mode is not comfortable for you, set the desired mode manually.



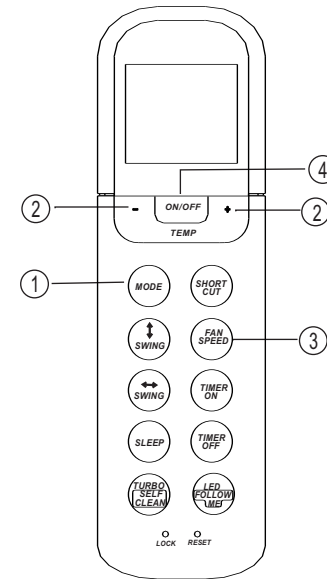
Cooling /Heating/Fan Operation

Ensure the unit is plugged in and power is available.

1. Press the **MODE** button to select COOL, HEAT or FAN mode.
2. Press the **UP/DOWN** buttons to set the desired temperature. The temperature can be set within a range of 17°C~ 30°C in 1°C increments.
3. Press the **FAN** button to select the fan speed in four steps- Auto, Low, Med, or High.
4. Press the **ON/OFF** button to start the air conditioner.

NOTE

In the FAN mode, the temperature setting is not displayed on the remote control, and you are unable to control the room temperature. In FAN mode, only steps 1, 3 and 4 may be performed.



8

Dehumidifying (DRY) Operation

- Ensure the unit is plugged in and power is available. The OPERATION indicator on the display panel of the indoor unit starts flashing.
1. Press the **MODE** button to select DRY mode.
 2. Press the **UP/DOWN** buttons to set the desired temperature. The temperature can be set within a range of 17°C~ 30°C in 1°C increments.
 3. Press the **ON/OFF** button to start the air conditioner.

NOTE

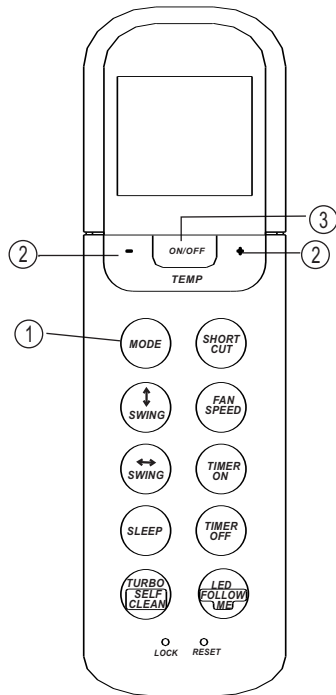
In Dehumidifying mode, you can not control the fan speed. It is automatically controlled by the unit.

Adjusting Air Flow Direction

Use the **SWING** \updownarrow and **SWING** \leftrightarrow buttons to adjust the desired airflow direction.

1. Press the **SWING** \updownarrow button, and the horizontal louver changes 6 degree in angle for each push. Press and hold for more than 2 seconds, and the louver will automatically swing up and down.
2. Press the **SWING** \leftrightarrow button, and the vertical louver changes 6 degree in angle for each push. Press and hold for more than 2 seconds, and the louver will automatically swing left and right.

NOTE: When the horizontal/vertical louver swing moves to a position which may affect the cooling or heating effect of the air conditioner, it may automatically change the horizontal or vertical position.



Timer operation

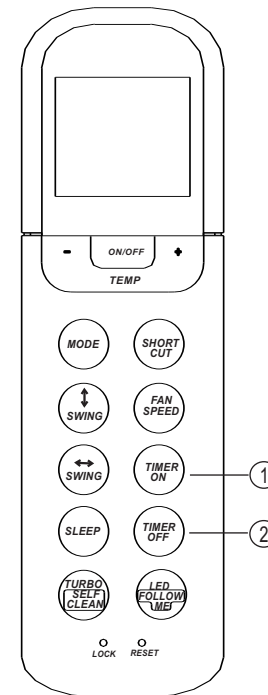
Press the **TIMER ON** button to set the auto-on time of the unit. Press the **TIMER OFF** button to set the auto-off time of the unit.

To set the Auto-on time.

1. Press the **TIMER ON** button. The remote control shows **TIMER ON**, the last Auto-on setting time and the signal "H" will be shown in the LCD display area. Now it is ready to reset the Auto-on time to the **START** time.
2. Press the **TIMER ON** button again to set desired Auto-on time. Each time you press the button, the time increases by half an hour between 0 and 10 hours and by one hour between 10 and 24 hours.
3. After setting the **TIMER ON** function, there will be a one second delay before the remote control transmits the signal to the air conditioner. Then, after approximately another 2 seconds, the signal "H" will disappear and the set temperature will re-appear in the LCD display window.

To set the Auto-off time.

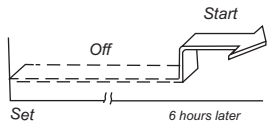
1. Press the **TIMER OFF** button. The remote control shows **TIMER OFF**, the last Auto-off setting time and the signal "H" will be shown in the LCD display area. Now it is ready to reset the Auto-off time to stop time.
2. Press the **TIMER OFF** button again to set desired Auto-off time. Each time you press the button, the time increases by half an hour between 0 and 10 hours and by one hour between 10 and 24 hours.
3. After setting the **TIMER OFF** function, there will be a one second delay before the remote control transmits the signal to the air conditioner. Then, after approximately another 2 seconds, the signal "H" will disappear and the set temperature will re-appear in the LCD display window.



CAUTION

- The effective operation time set by the remote control for the timer function is limited to the following settings: 0.5, 1.0, 1.5, 2.0, 2.5, 3.0, 3.5, 4.0, 4.5, 5.0, 5.5, 6.0, 6.5, 7.0, 7.5, 8.0, 8.5, 9.0, 9.5, 10, 11, 12, 13, 14, 15, 16, 17, 18, 19, 20, 21, 22, 23 and 24.

Example of timer setting



TIMER ON (Auto-on Operation)

The **TIMER ON** feature is useful when you want the unit to turn on automatically before you return home. The air conditioner will automatically start operating at the set time.

Example:

To start the air conditioner in 6 hours.

1. Press the **TIMER ON** button, the last setting of starting operation time and the signal "H" will show in the display area.
2. Press the **TIMER ON** button to display "6.0h" on the **TIMER ON** display of the remote control.
3. Wait for 3 seconds and the digital display area will show the temperature again. The "TIMER ON" indicator remains on and this function is activated.



TIMER OFF (Auto-off Operation)

The **TIMER OFF** feature is useful when you want the unit to turn off automatically after you go to bed. The air conditioner will stop automatically at the set time.

Example:

To stop the air conditioner in 10 hours.

1. Press the **TIMER OFF** button, the last setting of stopping operation time and the signal "H" will show in the display area.
2. Press the **TIMER OFF** button to display "10h" on the **TIMER OFF** display of the remote control.
3. Wait for 3 seconds and the digital display area will show the temperature again. The "TIMER OFF" indicator remains on and this function is activated.

COMBINED TIMER

(Setting both ON and OFF timers simultaneously)

TIMER OFF → TIMER ON

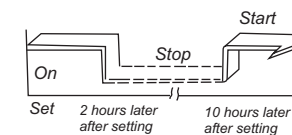
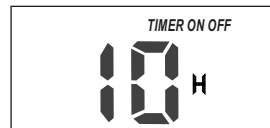
(On → Stop → Start operation)

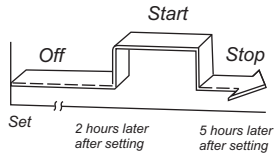
This feature is useful when you want to stop the air conditioner after you go to bed, and start it again in the morning when you wake up or when you return home.

Example:

To stop the air conditioner 2 hours after setting and start it again 10 hours after setting.

1. Press the **TIMER OFF** button.
2. Press the **TIMER OFF** button again to display 2.0h on the **TIMER OFF** display.
3. Press the **TIMER ON** button.
4. Press the **TIMER ON** button again to display 10h on the **TIMER ON** display .
5. Wait for 3 seconds and the digital display area will show the temperature again. The "TIMER ON OFF" indicator remains on and this function is activated.





TIMER ON → TIMER OFF

(Off → Start → Stop operation)

This feature is useful when you want to start the air conditioner before you wake up and stop it after you leave the house.

Example:

To start the air conditioner 2 hours after setting, and stop it 5 hours after setting.

1. Press the **TIMER ON** button.
2. Press the **TIMER ON** button again to display 2.0h on the **TIMER ON** display.
3. Press the **TIMER OFF** button.
4. Press the **TIMER OFF** button again to display 5.0h on the **TIMER OFF** display .
5. Wait for 3 seconds and the digital display area will show the temperature again. The "TIMER ON OFF" indicator remains on and this function is activated.

NOTE: The timer setting (TIMER ON or TIMER OFF) that occurs directly after the set time will be activated first.

This page is intentionally blank