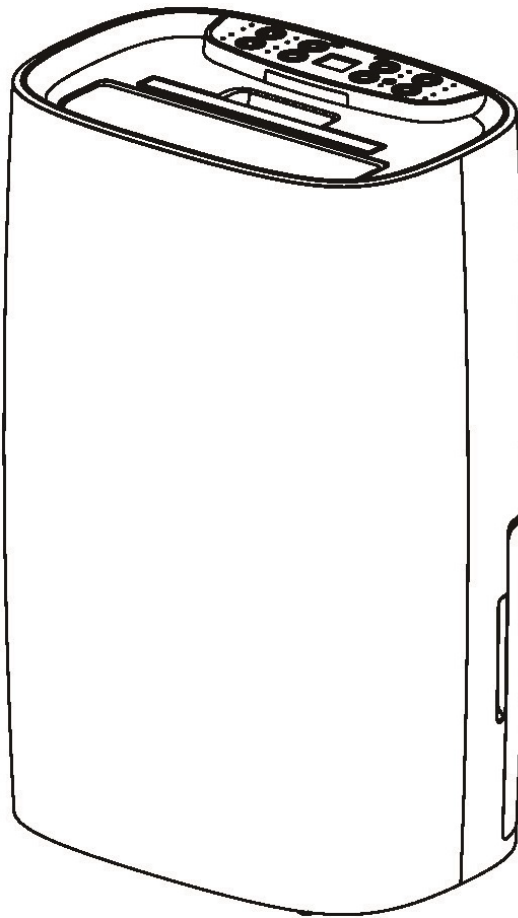


electriciQ

USER MANUAL



CD10P 10-LITRE COMPRESSOR DEHUMIDIFIER

Thank you for choosing electriciQ.

Please read this user manual before using this innovative dehumidifier and keep it safe for future reference.

Visit our page, www.electriQ.co.uk, for our entire range of Intelligent Electricals.

SETTLING IN OK?

We hope this has been helpful to you.

We would love to see how you're getting on with your new purchase, so please share any snaps you have on the platform of your choice below.

Our community awaits your uploads - Snap, tag and hashtag away!



@electriQUK

#electriQUK

WE'RE HERE TO HELP

Should you have any problems or questions with your purchase, please contact a member of our customer service team.

☎ 0330 390 3061

✉ support@electriQ.co.uk

Mon-Fri | 9am to 5pm

Unit 2A, Trident Business Park,
Neptune Way, Leeds Road,
Huddersfield, HD2 1UA

CONTENTS

SAFETY INSTRUCTIONS	4
VISUAL SAFETY GUIDE	6
PRODUCT OVERVIEW	7
FEATURES	7
BEFORE USE	8
POSITIONING THE DEHUMIDIFIER	8
CONTROL PANEL	9
WATER DRAINAGE	11
CARE AND MAINTENANCE	13
TECHNICAL DATA	14
TROUBLESHOOTING	15
SUPPORT	16

SAFETY INSTRUCTIONS

IMPORTANT

- Carefully read the instructions before operating the unit.
- This appliance is only intended for use in an indoor domestic environment. The manufacturer does not recommend any other use and may cause fire, electrical shock or other injuries to a person or damage to property.
- **Rating:** This unit must only be connected to an AC 220-240V / 50 Hz earthed outlet. Installation must be in accordance with the regulations of the country where the unit is used.
- If you are in any doubt about the suitability of your electrical supply, have it checked and, if necessary, modified by a qualified electrician.
- This dehumidifier has been tested and is safe to use. However, as with any electrical appliance – care must be taken during use.
- **CAUTION:** In order to avoid a hazard due to inadvertent resetting of the thermal cut-out, this appliance must not be supplied through an external switching device, such as a timer, or connected to a circuit that is regularly switched on and off by the utility.
- Disconnect the power from the appliance before dismantling, assembling or cleaning.
- Avoid touching any moving parts of the appliance.
- Never insert fingers, pencils or any other objects through the guard.
- This appliance is not intended for use by persons (including children) with reduced physical, sensory or mental capabilities. It is also not intended for use by those with a lack of experience and knowledge unless they have been given supervision or instruction concerning the use of the appliance by a person responsible for their safety.
- Children should be supervised to ensure they do not play with the appliance.
- Do not clean the unit by spraying it or immersing it in water.
- Never connect the unit to an electrical outlet using an extension cord. If a power outlet is not available, one should be installed by a qualified electrician.
- Never operate this appliance if the unit is damaged. Call the retailer first. Ensure the power cord is not stretched or exposed to sharp objects or edges.
- If the supply cord is damaged, it must be replaced by the manufacturer, its service agent or similarly qualified persons in order to avoid a hazard.
- An authorised service representative should perform any service other than regular cleaning or filter replacement. Failure to comply could result in a voided warranty.
- The unit must be disconnected from the power prior to any cleaning, maintenance or servicing.
- The unit must only be opened by a suitably competent engineer when the power is disconnected and after reading the service manual.
- Do not use the appliance for any purpose other than its intended use.
- Do not tilt the unit while in use. The unit is designed to work only in a vertical position. This dehumidifier must always be stored upright; otherwise, irreparable damage may be caused.

- Avoid restarting the dehumidifier until 5 minutes have passed after it has been turned off.
- Never use the mains plug as a switch to start or turn off the dehumidifier. Instead, use the power button provided on the control panel.
- Always place the unit on a dry and stable surface.
- The appliance should not be installed in a laundry or wet room where the humidity is higher than 85% RH. This unit should be operated at an ambient temperature between 5°C and 32°C.
- Do not dry laundry directly above the unit. To prevent water from entering the dehumidifier, laundry should be placed at least 40 cm away from your dehumidifier.
- Do not place the unit next to heat sources (e.g. electrical fires, fireplaces, etc.)
- Do not store or use gasoline, petrol, paint, solvents or other flammable vapours and liquids in the vicinity of this dehumidifier or any other appliance. Do not use dehumidifiers where flammable gases or VOC can be released or accumulate.
- Refrigerants can be odourless; if the casing is damaged, please do not use the unit and contact the retailer.
- Do not use or store the unit in a room smaller than 4m².

ENERGY SAVING AND UNIT SAFETY PROTECTION TIPS

Do not cover or restrict the airflow from the outlet or inlet grills.

For maximum performance, the unit should be operated at least 20 cm away from walls and 50 cm from other objects within the room. Whilst storing the unit when not in use, ensure the same ventilation clearances as in operation. Do not store anything on top or leaning against the unit.

Always store the unit in a dry room away from direct sunlight.

Keep the appliance's filters and grills clean. Under normal conditions, filters and grills should only need cleaning once every three weeks (approximately). Do not use the unit without the mesh air filter, as this will allow dirt to gather inside the dehumidifier, which could invalidate the warranty.

A dirty filter restricts the airflow into the machine, increasing the resistance of the fan. This can damage the unit and invalidate your warranty.

Since the filters remove airborne particles, more frequent cleaning may be necessary depending on the air quality. Vacuum and wash the mesh filters with hot, soapy water and dry them before placing them back in the unit.



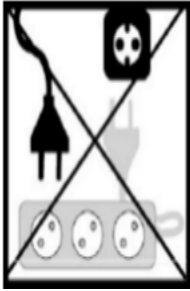
Exposed to the weather outdoors



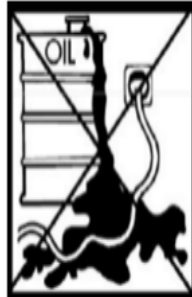
Near water



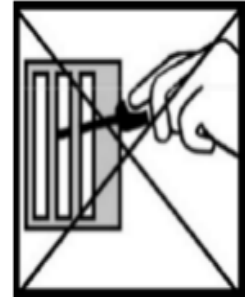
Where small children may be left unattended



If an extension lead may become overloaded



Where chemicals may damage it



Where there is a risk of interference by foreign objects



On a slope or uneven surface



This product is not for DIY repair



Where there is a risk of water falling on the unit



Flammable Refrigerant



Read the operating instructions.

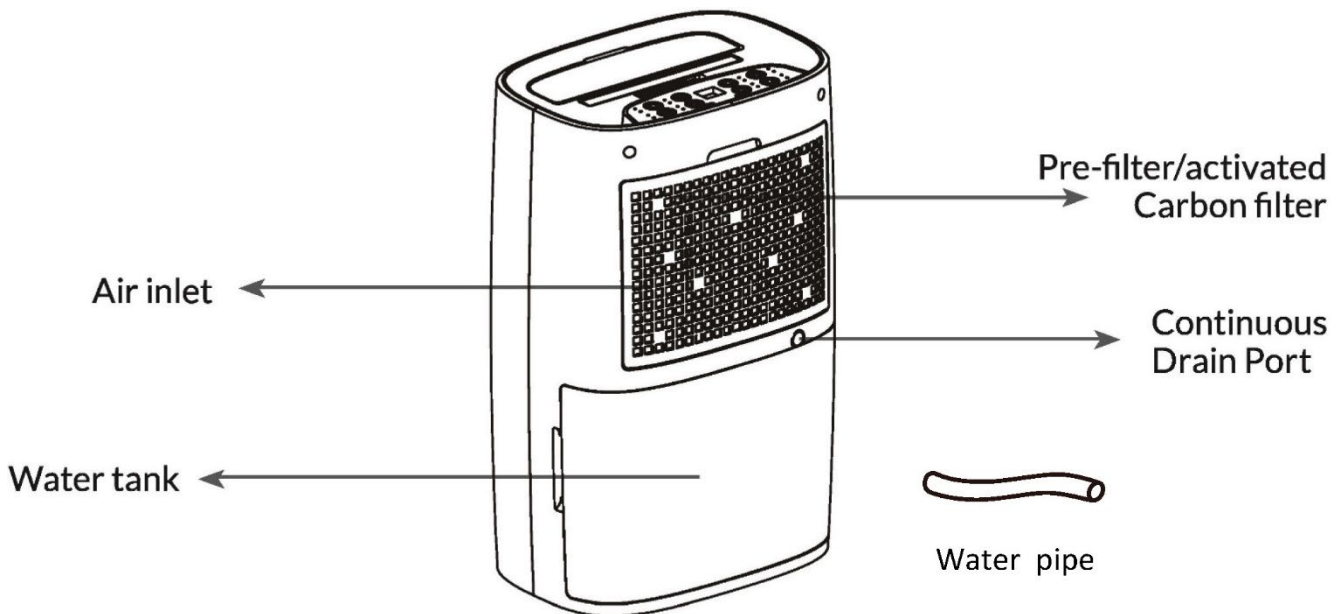
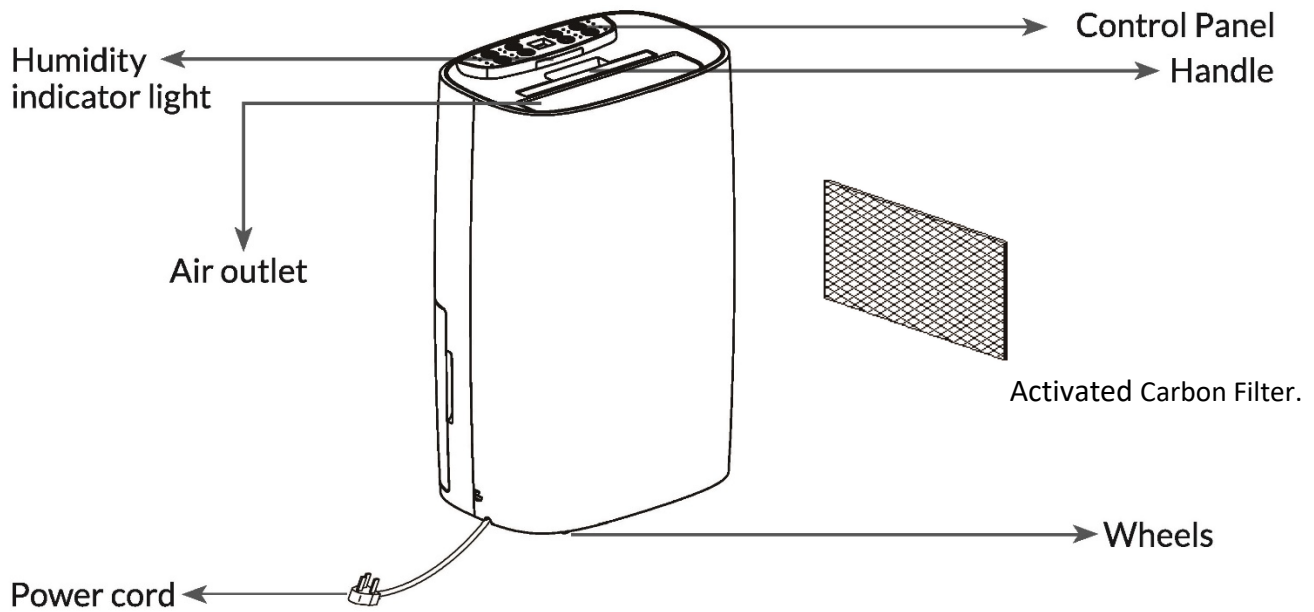


Read the operator's manual.



Read the service/technical manual.

PRODUCT OVERVIEW



FEATURES

Your dehumidifier is a low-energy-premium model that features low power consumption, power-saving logic, and advanced air purification options.

1. Easy to use controls.
2. Uses a fraction of the energy of standard units.
3. Cost-effective way to combat mould and dampness.
4. Great in homes with up to 5 bedrooms
5. Dries laundry more efficiently than a drier.
6. Modern design to compliment your space.
7. Castors for ease of movement.
8. Intelligent CPU-controlled humidistat with room humidity display.
9. Sleep mode for low sound dehumidifying and high fan mode for maximum dehumidification.
10. 24 hour timer.
11. Permanent drainage or tank emptying options.
12. Tank full alarm and auto-stop to prevent spills.

BEFORE USE

Remove any water from within the water tank before starting the unit. To save energy, do not open windows or doors while the unit is running. Place the unit on a hard/flat surface. On first use, run the unit continuously for 24 hours.

TO REDUCE NOISE LEVELS:

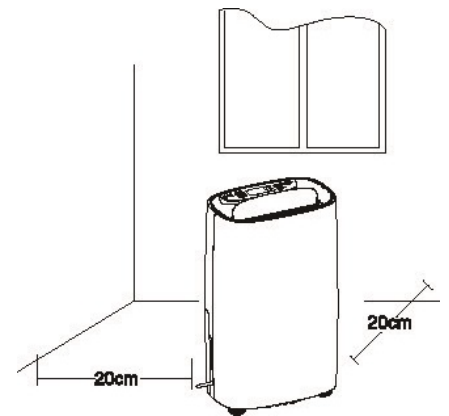
Place a piece of carpet or a rubber mat under the unit to reduce vibrations while it is running.

The CD10P dehumidifier uses compressor technology to extract water from the environment. The compressor dehumidifiers are ideal for normal domestic or office environments, which are heated during the winter months with temperatures above 12-15°C. The CD10P dehumidifier is easy to move around on the castors. Intelligent dehumidifiers will extract unwanted humidity while saving money due to their humidity and power-saving logic. The CD10P dehumidifier features an intelligent humidity sensor, which is adjustable in increments of 5% from 35-80%RH, ensuring your room is not too dry and energy is not wasted. When the humidity is set to 35%, the compressor will not stop working until the function is changed.

POSITIONING THE DEHUMIDIFIER

A badly positioned dehumidifier will have little effect. When positioning the dehumidifier, please ensure air circulation is not restricted around the unit.

Allow at least 20 cm of space around the unit. This dehumidifier is designed only for indoor residential or small office applications, and any commercial or industrial use will invalidate the warranty. For maximum efficiency, use in an enclosed area, closing all doors and windows to the outside to create an effective operating environment. Do not use outdoors.



Your electriQ dehumidifier will begin to protect your space from the harmful effects of excessive moisture as soon as it is turned on. Excess moisture is dispersed throughout your home. For this reason, the dehumidifier should be positioned in a central and clear location so that it can draw this moist air towards it from all over the home. A warm hallway or landing is an excellent position for your dehumidifier. If possible, leave interior doors ajar to allow air circulation.


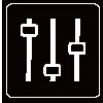



Alternatively, if you have a serious problem in one area, you can begin by positioning the dehumidifier there and moving it to a more central location later. For the most effective use, run your dehumidifier with external doors and windows kept closed. Please note that the unit should not be placed directly against a radiator or other heat source.







The water tank should be emptied before moving the appliance. When carrying the unit, it should be kept upright and sufficiently supported from its base. When positioning your electriQ dehumidifier, ensure that it is placed clear of any obstacle that may limit the air dehumidifier on a flat, dry surface.

NOTE: Forcing the castors over an uneven floor or thick carpet can damage them; always lift the unit with the handle instead. Do not move the unit with the tank full; always empty prior to moving to avoid spillages.

CONTROL PANEL



	<p>POWER</p> <p>Turn the appliance on/off.</p>
	<p>MODE</p> <p>Repeatedly press the mode button to cycle through the modes. The indicators will light up to show your current selection. You can choose from High, Low, Fan and Smart modes.</p>
	<p>HIGH/LOW: These modes allow you to set the fan speed between low and high and choose your desired humidity. The fan circulates air around the room to ensure the correct humidity is measured, and the unit works to reach the target humidity. Once the unit hits 2% below your targeted humidity, the compressor will turn off and only turn back on once the room's humidity reaches above the target.</p> <p>SMART: The unit will aim for a humidity of 55%. Once this is reached, the compressor will shut off, followed by the fan 5 minutes later. This mode is ideal as it ensures the compressor only runs when necessary.</p> <p>FAN: The fan will operate to circulate the air, but no humidity will be extracted.</p>
	<p>SLEEP</p> <p>Press the sleep button to activate the mode. The indicator light will illuminate to show that this is active. In this mode, the unit will operate in low fan mode, and the display will be turned off to reduce noise and light. Press again to exit the mode.</p> <p>HUMIDITY INDICATOR</p> <p>Hold the sleep button for 3 seconds, and the indicator will light up. After approximately 2 minutes, it will show the colour that corresponds to your room's humidity. While the unit is running, this light will change colour in line with the humidity of the room, with an approximate 2-minute delay. Hold the button again for 3 seconds to turn the light off.</p> <p>RED: RH>70%.</p> <p>ORANGE: RH between 60-70%.</p> <p>GREEN: <60%.</p>
	<p>INCREASE AND DECREASE</p> <p>Select your mode, then use the increase and decrease buttons to set the humidity. This will be in 5% increments from 35% to 80%. The display will show the humidity selection.</p>

	<p>You can also use these buttons to increase and decrease any timer setting in 1-hour intervals between 1 and 24 hours. The display will show the timer selection. To jump from 1 to 24 hours, double-click the decrease button when the display shows 1.</p>
	<p>TIMER</p> <p>You can set the timer to turn off or on at a certain time. When the timer is active, the indicator will light up.</p> <p>To set it to turn on, ensure the unit is on standby. Then, press the timer button and use the increase and decrease buttons to set your desired delay period.</p> <p>To set the timer to turn it off, with the unit on, press the timer button and use the increase and decrease buttons to set the desired turn-off time. The timer will continue to count down during defrosting and when the tank is emptied.</p> <p>To cancel the timer, press the button once while the function is in operation.</p> <p>CHILD LOCK</p> <p>Hold the timer button for 3 seconds to lock the control panel, and hold it for 3 seconds again to unlock it. When locked, the indicator will be lit, and all buttons other than the lock will be disabled.</p>
	<p>LAUNDRY</p> <p>Press once to turn it on and once to turn it off. The target humidity is set to 35% and cannot be changed. This mode will continue to run until the tank is full. If you are using permanent drainage, the unit will only turn off when manually turned off. We recommend only using this function for short periods and very humid environments, as 35% is very dry. Never place the laundry over the unit; angle the louvres towards the laundry and ensure it is within 1.5 metres.</p>
	<p>Press the swing button to activate the swing function. The louvres will swing between a 45-degree and 90-degree angle. Press the swing button again to lock them into position.</p>
	<p>INTELLIGENT DEFROST</p> <p>The appliance will defrost automatically once the coil sensor detects that the temperature is too low. The unit will stop running in its current mode, and the defrost indicator will light up. Once complete, the unit will return to the previous mode.</p>
	<p>If the tank is full, the indicator will flash, and the unit will beep. Once you have emptied and properly re-fitted the tank, the indicator will go off.</p>
	<p>AIR PURIFICATION</p> <p>To use the unit with air purification, fit the activated carbon filter, then select your desired mode.</p>
	<p>DISPLAY</p> <p>The unit will display the room's humidity. When the humidity level is selected, the target humidity will be shown. When the timer is selected, the hours will show. If there is an issue with the unit, the error code will be displayed.</p>

NOTES

- If a permanent drainage pipe is fitted, the unit will not stop operating. Setting the desired humidity to around 35% is good for laundry mode, a quick drying boost, or in emergencies. It is not recommended for long normal operation in a domestic or office environment.
- To allow more moisture in the air, set a higher desired humidity (e.g. 60-70%).
- We recommend setting the desired humidity to 50-55% or using smart mode. This is great for domestic operation and dry storage.
- If the humidity in the room is lower than 20% the display will show 'LO'. If it is above 90% it will show 'HI'. The unit will not function in these conditions.

OTHER FEATURES AND INDICATORS

DEHUMIDIFICATION LOGIC:

The unit will aim to achieve the set target humidity or the ideal humidity of 55% in Smart Mode. Once this is reached, the dehumidifier will shut off. Every 30 minutes, the fan will turn on for 5 minutes to check the humidity. The unit will repeat this process every 30 minutes if the ambient humidity is still lower than the target humidity. If the fan detects that the ambient humidity is above the target humidity, the compressor will restart and dehumidify until the target humidity is achieved. This will repeat every 30 minutes until the unit is manually turned off or the tank is full.

AUTO RESTART

If the unit is turned off due to a power cut, it will run in the same mode once the power is restored.

POWER

To protect the compressor, it is not recommended that the operation resume for at least 5 minutes after the unit has stopped. The operation can resume after this period lapses. When the unit is restarted, there is a 3-minute delay before the compressor starts.

CASTORS

The castors allow for easy movement. Alternatively, with its lightweight, the unit can be carried by the handle to its location. Always ensure the tank has been emptied before moving, as spillages can occur.

WATER DRAINAGE

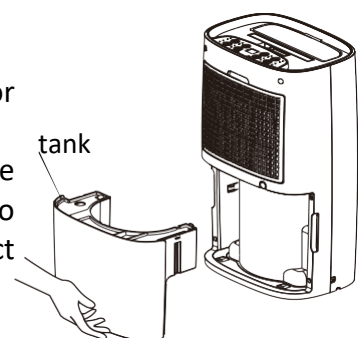
When the water tank is full, the unit stops automatically. The tank full indicator lights up blue.

NOTE: Only empty the water tank when it is full or before moving or storing the unit. There are two ways to dispense collected water.

USE THE TANK

When the tank is full, the unit automatically stops running, and the tank-full indicator lights up.

Slowly pull out the tank by the handle. Empty the water tank and reinsert it into the dehumidifier. The tank must be in place and securely seated for the dehumidifier to operate again. The dehumidifier will restart when the tank is restored to its correct position.

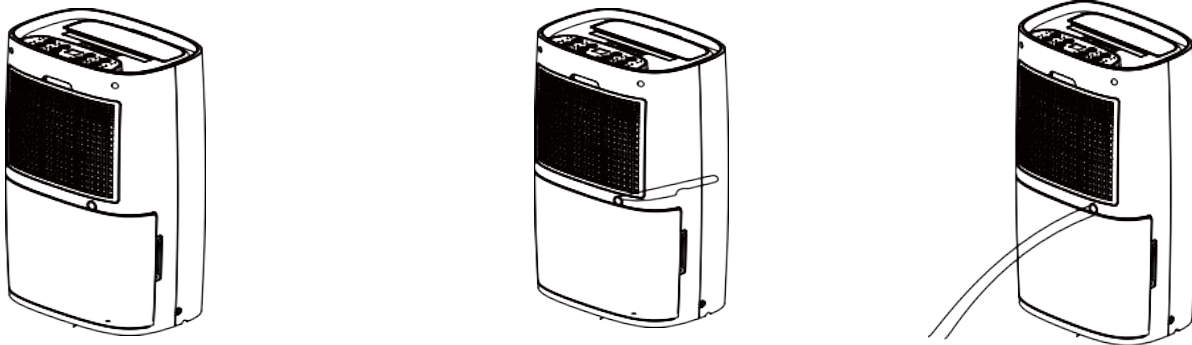


NOTES:

When you remove the water tank, please do not touch the sensors or any parts behind it. Doing so may damage the product. Be sure to push the tank gently all the way into the unit. Banging the bucket against anything or failing to push it in securely may cause the unit not to operate. Do not remove any parts from the water tank or tank enclosure. The full water sensor will no longer be able to detect the water level correctly, and water may leak from the water tank.

CONTINUOUS DRAINAGE

Water can be automatically plumbed in or drained into a sink, a larger recipient, or through the wall into an outside drain by attaching a pipe to the unit (9.5 mm internal diameter). The pipe is supplied; however, you can purchase a few different lengths online or in a hardware store.



Make sure the connection between the pipe and the drain outlet is tight and does not leak. Then, direct the pipe to a suitable drainage point. This unit uses gravity to dispose of water; hence, the drain should be lower than the water outlet on the unit. Put the tank back. Be sure to run the water pipe downward and let the water flow out smoothly. Do not kink or bend the pipe.

The permanent drain can be used in conjunction with an external water pump (e.g. when draining from a cellar) to lift the water upwards.

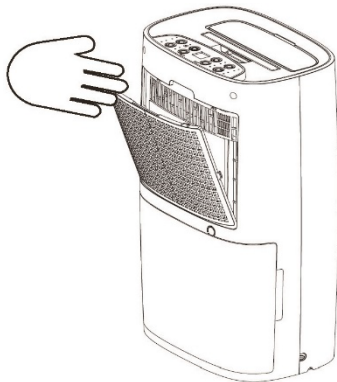
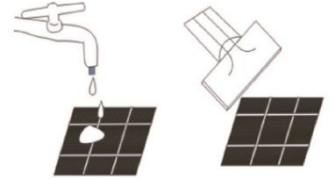
IMPORTANT: When the unit is not in use, please remove the drainage pipe.

CARE AND MAINTENANCE

Always shut off the unit and unplug from the mains before cleaning or performing any maintenance. When it is not in use for long periods, it is advisable to remove the plug from the power socket. Please do not use chemical solvents (such as benzene, alcohol or gasoline), as they may cause irreversible damage to the unit.

1. CLEAN THE GRILLE AND CASE

Use water and a mild detergent to clean the washable filter. Do not use bleach or abrasives. Do not splash water directly onto the main unit. Doing so may cause an electric shock, deteriorate the insulation, or cause the unit to rust. The air intake and outlet grilles get soiled easily, so use a vacuum attachment or soft brush to clean them. Wipe the dehumidifier body with a soft, damp cloth or kitchen towel.



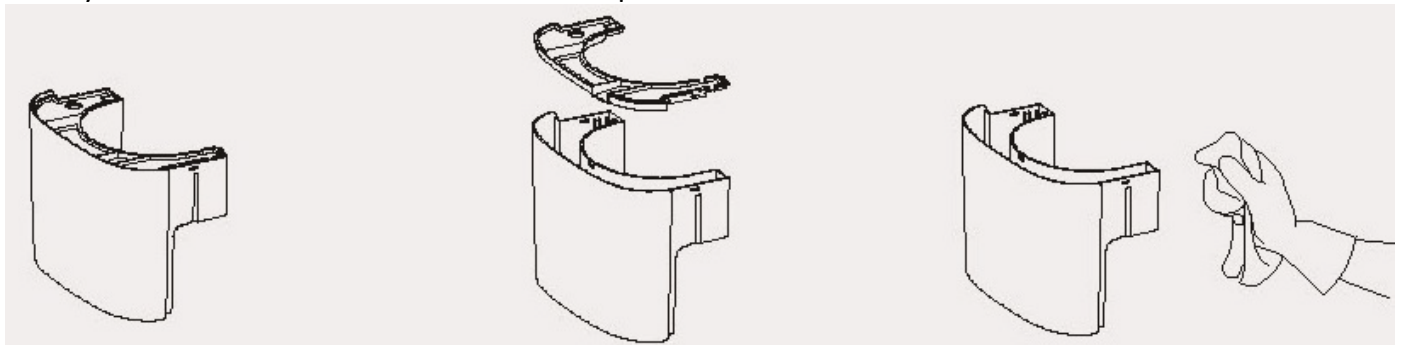
Remove the ABS (plastic) frame and the filters from it. Hoover the filters every 2-3 weeks. If they are heavily soiled, wash them with warm, soapy water and dry them thoroughly before reinserting them in the unit. When filter cleaning is finished, and the filters are dry, place them back into the unit.

NOTE: While the activated carbon filter is optional, never run the unit without the filter frame correctly inserted.

2. CLEAN THE WATER TANK

After each use, drain and dry the tank to prevent stagnant water from sitting in it. Every few weeks, clean the tank to prevent the growth of mould, mildew, and bacteria. Partially fill the tank with clean water and add a little mild detergent. Swish it around, then empty the tank and rinse.

NOTE: Do not use a dishwasher to clean the tank. After cleaning and drying, the tank must be reinserted securely into a dehumidifier in order to restart operation.



END-OF-SEASON MAINTENANCE

1. Run the unit for at least 30 minutes with the desired humidity set to max. This will allow the unit to dry internally.
2. After 30 minutes, empty and clean the water tank, ensuring it is fully dry before reinserting into the unit.
3. Clean the unit and the filters as per the cleaning procedure above.
4. Coil the power cord on the special cord storage rest at the back of the unit.
5. Cover the unit and keep it in a dry place.

Frequently Asked Questions

Why doesn't the dehumidifier seem to extract much water if the temperature is low?

This is a compressor dehumidifier which works best in temperatures above 15°C. If the temperature is low and the air is dryer than the setting on the humidistat, the unit will not extract water. If you want to use a dehumidifier for outside buildings, unheated properties, boats or garages, please check our desiccant range.

Why doesn't the unit work /or stops suddenly?




The water tank may be full or displaced. To rectify this, empty the tank and carefully place it back in the unit. Also, the unit may be running in dehumidifying mode with a low room temperature. Please check if the room temperature is lower than 5°C. If so, the unit will stop working while in dehumidifying mode. (The unit may be defrosting.)

The ambient operating range is between 12°C and 35°C with a relative humidity ranging from 30% to 80%. For maximum efficiency, use the unit between 15°C and 32°C.

Sometimes cold and/or hot air comes out from the air outlet grill; why?

When the unit is in dehumidifying mode, it absorbs humid air from the room and freezes it to reduce the humidity. During the cold cycle, cold air should come out of the unit. During the hot cycle, hot, dry air should come out of the outlet grill.

TECHNICAL DATA

Model	CD10P
Voltage	220-240V~50Hz
Dehumidifying capacity	10L / day (at 30° C / 80%RH)
Fan Speeds	2
Rated Input Power	180W
Tank Capacity	2.5 litres
Desired Humidity Range	35 – 80%
IP Rating	IPX1
High / Low Pressure	3.2/0.7MPa
Air Volume m ³ /h	120
Filters	Carbon Filter (Optional)
Dimensions mm (LxWxH)	298*206*478(mm)
Weight (Kgs)	10
Refrigerant	R290, 40 grams
GWP	3
  	

TROUBLESHOOTING

Issue	Cause	Solution
Hot or cold air being produced.	Normal Operation	When the unit is in dehumidifying mode, it absorbs humid air from the room and freezes it to reduce the humidity. During the cold cycle, there should be cold air coming out of the unit During the defrost cycle, hot, dry air should be coming out of the outlet grill.
The unit does not operate.	Is the plug properly inserted in the socket?	Insert the plug into the socket and turn the switch on.
	Is the tank full indicator lit?	The tank is full, the float is displaced, or the tank is not properly inserted. Empty the tank, check the float, and make sure the tank is properly inserted in the unit.
The dehumidifier does not extract water	Is the unit set to a humidity level lower than the one in the room?	Set the humidity level on the humidistat below the current humidity reading.
	Is the temperature too low for water extraction to be efficient?	Increase the temperature in the room or reposition the unit.
	Is any intake grill or discharge blocked? Is the unit too close to the walls?	Remove obstructions and restart the unit. Ensure a distance of at least 20 cm between the unit & walls.
Airflow seems weak	Is the filter dirty or clogged?	Please service the filters regularly as per the user manual. This is not a fault.
The unit is noisy during operation.	Is the unit on an uneven surface?	Please place it on a flat horizontal surface.
	Is the filter clogged?	Please service the filters regularly as per the user manual.
E1 or E2	Temperature sensor error	Please ensure the unit is only used at suitable temperatures. If it is too cold or hot, please turn off the unit, unplug it, and try it again when the temperature is suitable. If this fails, please get in touch with customer service.
E3 or E4	Humidity sensor error	Ensure the unit is only operated in rooms within the humidity range. Change rooms or turn the unit off and unplug it, wait for the humidity to return to within the range, and then try using the unit again. If this fails, please get in touch with customer service.
E5 or E6	Abnormal coil sensor temperature or current	Ensure the unit is only being used in suitable temperatures and humidity levels. Turn the unit off and unplug it. Once it is within the range, turn the unit on. If the error is still present, please call customer service.
The defrost light is on, and the unit is stopping functioning regularly.	The unit is defrosting.	Allow the unit to defrost. If the room it is in is cold, this will happen more often. To stop regular defrosting, move the unit to a warmer location.
Any other malfunctions must be reported to the electriQ service centre. Do not attempt unauthorised repairs, as these may invalidate the warranty.		

Disposal: Do not dispose of this product as unsorted waste. Collection of such waste must be handled separately as special treatment is necessary.

Recycling facilities are now available for all customers, where they can deposit their old electrical products. Customers can take any old electrical equipment to participating sites run by their local councils. Please remember that this equipment will be further handled during the recycling process, so please be considerate when depositing your equipment. Please get in touch with the local council for details of your local household waste recycling centres.



electriQ UK SUPPORT

www.electriQ.co.uk/support

Please, for your own convenience, make these simple checks before calling the service line.

1. Has the unit been standing upright for at least 2 hours?
2. Is the unit plugged into the mains?
3. Is the fuse OK?
4. Switch the unit off and wait three minutes to see if the issue is resolved. Restart the unit.
5. Check if the water tank is full.
6. Was the troubleshooting guide followed?

If the unit still fails to operate, call 0330 390 3061 or complete the online form.

Office hours: 9 AM - 5 PM, Monday to Friday

Unit 2A, Trident Business Park,
Neptune Way, Leeds Road,
Huddersfield, HD2 1UA.