

BLANCO



Performance First

Instructions for the Use and Care and Installation of

BRCE60X

BRCE90X

Rangehood.

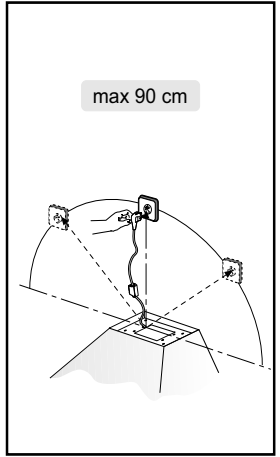
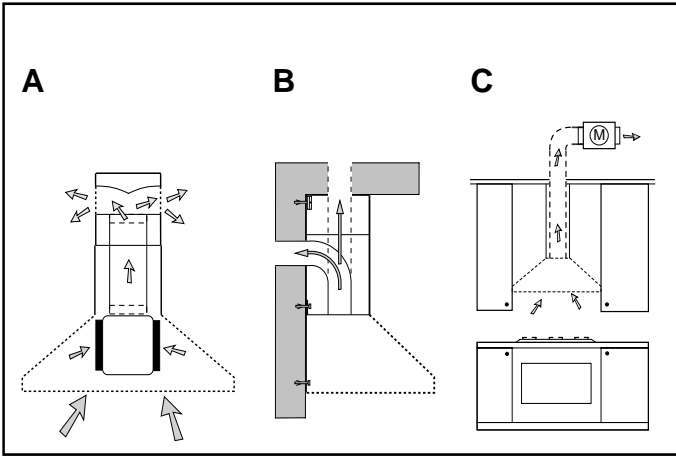


Fig.1

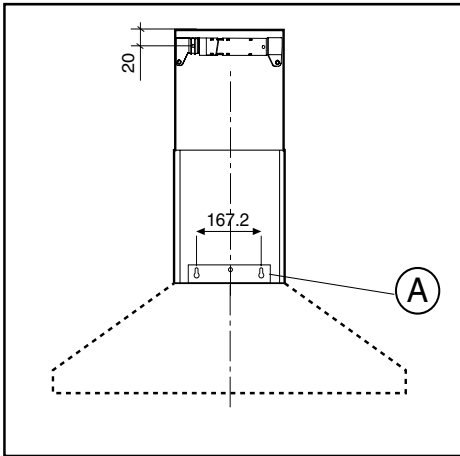


Fig.2

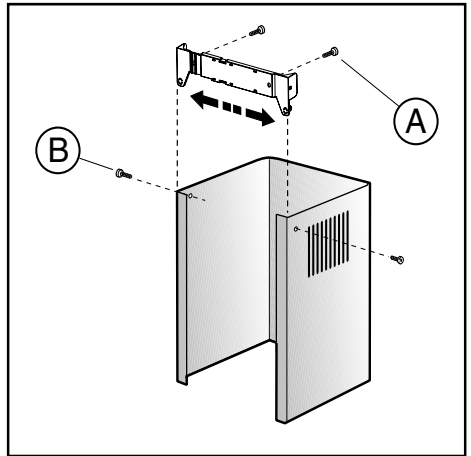


Fig.3

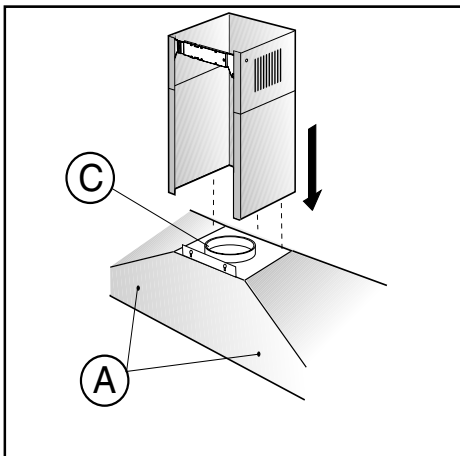


Fig.4

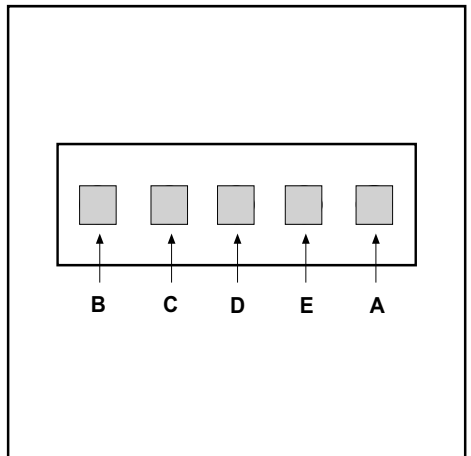


Fig.5

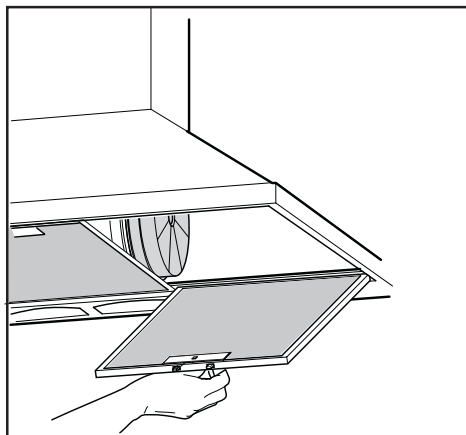


Fig.6

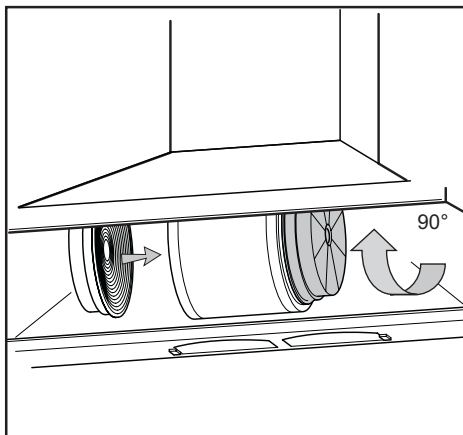


Fig.7

Dear Customer

You will find that the modern look of your **Blanco** rangehood blends in perfectly with your kitchen décor. It is easy to use and performs to a high standard.

Blanco also makes a range of products that will enhance your kitchen – such as cooktops, ovens, dishwashers, microwaves, sinks and taps. There are models to complement your new Blanco rangehood and Blanco now also has a range of laundry products to choose from.

Of course, we make every effort to ensure that our products meet all your requirements. Our Customer Service Department is at your disposal, to answer your questions and to listen to your suggestions.

Please complete the warranty section of this manual and keep your receipt as proof of purchase. Retain all documents relating to the purchase of this Blanco product.

Blanco is committed to providing increasingly efficient products that are easy to use, respect the environment and are attractive and reliable.

BLANCO

General Warnings.

- The appliance is not intended for use by young children or infirm persons without supervision.
- Young children should be supervised to ensure that they do not play with the appliance.
- If the supply cord is damaged, it must be replaced by the manufacturer or its service agent or a similarly qualified person in order to avoid a hazard.
- There shall be adequate ventilation of the room when the range rangehood is used at the same time as appliances burning gas or other fuels.
- Ensure that the range rangehood is cleaned frequently.
- There is a risk of fire if cleaning is not carried out in accordance with the instructions.
- Do not flambé under the range rangehood.

Warnings for Installation:

- The exhaust air must not be discharged into a flue that is used for exhausting fumes from appliances burning gas or other fuels.
- The minimum distance from the hob surface and the lowest part of the range rangehood must not be less than 60cm. If the instructions for the hob specify a greater distance, please consider this.
- The regulations concerning the discharge of exhaust air have to be fulfilled.
- Exercise care when the rangehood is installed in an area where a gas burner is operating. Depending on the size of the room, the rangehood may draw from the room air that is necessary for proper combustion of the burner. All Blanco rangehoods are used for indoor application only.

GENERAL

Carefully read the following important information regarding installation, safety and maintenance. Keep this information booklet accessible for further reference.

The rangehood has been designed for use as;
Recirculating version (air circulation on the inside – Fig.1A)
Ducting version (air exhaust to the outside – Fig.1B)
Ducted with external motor (Fig.1C).

SAFETY PRECAUTION

Exercise care when the rangehood is installed in an area where a gas burner is operating. Depending on the size of the room, the rangehood may draw from the room air that is necessary for proper combustion of the burner. All Blanco rangehoods are for indoor application only.

Before connecting the rangehood to the electricity network:

- Refer to the data plate (positioned inside the appliance) to ascertain that the voltage and power correspond to the network and the socket is suitable. If in doubt ask a qualified electrician.
- If the power supply cable is damaged, it must be replaced with another cable of the same specification.
- Assembly and electrical connections must be carried out by qualified tradesperson / electrician.

INSTALLATION INSTRUCTIONS

Assembly and electrical connections must be carried out by qualified tradesperson / electrician.

Electric Connection

The rangehood has been manufactured as a class II, therefore no earth cable is necessary.

The connection to the mains is carried out as follows:

BROWN = L line

BLUE = N neutral

If not provided, connect a plug for the electrical load indicated on the rating label. Where a plug is provided, the rangehood must be installed in order that the plug is easily accessible.

An omnipolar switch with a minimum opening of 3mm between contacts, in line with the electrical load and local standards, must be placed between the appliance and the network in the case of direct connection to the electrical network.

- The minimum distance between the support surfaces of the cooking pots on the cooktop and the lowest part of the rangehood must be at least 60 cm.

If a ducting tube composed of two parts is used, the upper part must be placed outside the lower part.

Do not connect the rangehood exhaust to the same ducting used to circulate hot air or for evacuating fumes from other electrical appliances.

Before proceeding with the assembly operations, remove the antigrease filter(s) (Fig.6) so that the unit is easier to handle.

FIXING TO THE WALL

Drill the holes A as per the dimensions shown (Fig.2). Fix the appliance to the wall and align it in horizontally.

When the appliance has been adjusted, fix the rangehood using the screws A (Fig.4). For the various installations use screws and screw anchors suited to the type of wall (e.g. reinforced concrete, plasterboard, etc.). If the screws and screw anchors are provided with the product, check that they are suitable for the type of wall on which the rangehood is to be fixed.

FIXING THE FLUE

Arrange the electrical power supply within the dimensions of the flue. If your appliance is to be installed in the ducting version or in the version with external motor, prepare the air exhaust opening.

Adjust the width of the support bracket of the upper flue (Fig.3). Then fix it to the wall using the screws A (Fig.3) in such a way that it is in line with your rangehood and taking into account the distance from the ceiling indicated in Fig.2. Connect the flange C to the air exhaust hole using a connection pipe (Fig.4). Insert the upper flue into the lower flue and rest above the frame. Extract the upper flue up to the bracket and fix it with the screws B (Fig.3).

RECIRCULATED VERSION

Install the rangehood and the two flues as described in the paragraph for installation of the rangehood in ducting version. Assemble the recirculating attachments and flue, refer to the instructions contained in the kit.

Carbon filters are recommended when the rangehood is recirculated. The filters must be applied to the suction unit positioned inside the rangehood. They must be centred by turning them 90 degrees until the stop catch is tripped (fig. 7).

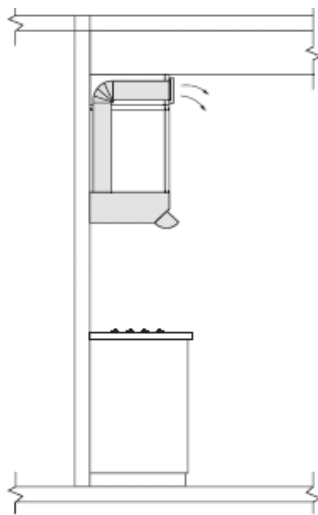
Rangehoods may be ducted in two ways:

1. Ducted to the atmosphere (outside).
2. Recirculating.

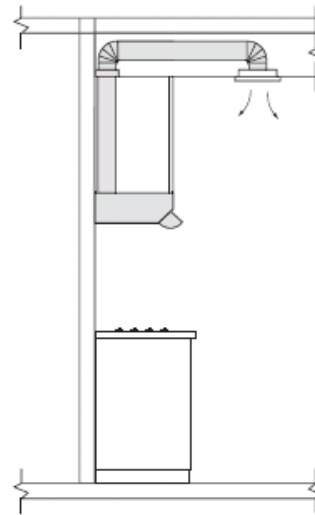
We recommend ducting to the atmosphere to ensure optimum performance. Recirculating the air back into the room should only be used when outside extraction is not possible. To ensure maximum performance when ducting it is important the ducting that carries the fumes away, be as short and as straight as possible.

When incorporating a rangehood in the design of a kitchen the following points need to be considered to achieve the most benefit from the rangehood.

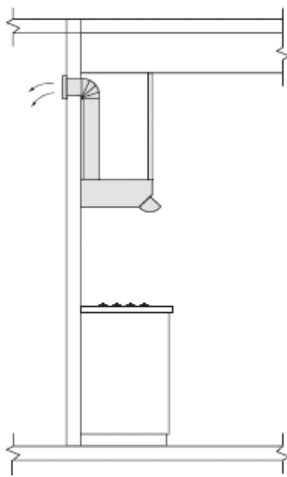
1. Ducting from a rangehood carrying the exhaust air, should not exceed a length of three (3) metres.
2. For ducted installation we recommend using galvanised or similar metal type flue pipe. PVC pipe is not recommended.
3. Ducting containing a 90° degree bend will encounter a loss in efficiency of approximately 35%. Additional 90° degree bends can cause losses of up to 15% per bend.
4. Ducting size should always comply with the manufacturers specification.
5. We recommend carbon filters be used when re-circulating the air into the room. There will be some loss of air movement when carbon filters are fitted.



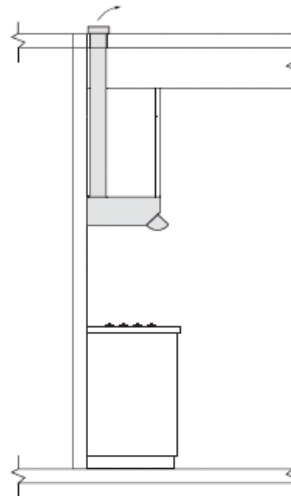
Recirculated to kitchen area via bulkhead



Recirculated to kitchen area via ceiling cavity



Ducted to atmosphere through wall



Ducted to atmosphere through roof

USE AND MAINTENANCE

- It is recommended to operate the appliance prior to cooking.
- It is recommended to leave the appliance in operation for 15 minutes after cooking to help eliminate cooking vapors and odors.
- It is important to properly maintain the rangehood and the carbon filters to ensure proper function of the rangehood.
- The anti-grease filters capture the grease particles suspended in the air, and are therefore subject to clogging according to the frequency of the use of the appliance.
In order to prevent fire hazard, it is recommendable to clean the filter at a maximum of 2 months by carrying out the following instructions:
 - Remove the filters from the rangehood and wash them in a solution of water and neutral liquid detergent, leaving to soak.
 - Rinse thoroughly with warm water and leave to dry.
 - The filters may also be washed in the dishwasher. The aluminium panels may alter in colour after several washes. This is normal and the filter panels will not need to be replaced.
- The active carbon filters purify the air that is recirculated into the environment. The filters are not washable nor reusable and must be replaced at maximum every four months. The saturation of the active carbon filter depends on the frequency of use of the appliance, by the type of cooking and the regularity of cleaning the anti-grease filters.
- Clean the fan and other surfaces of the rangehood regularly using a cloth moistened with denatured alcohol or non abrasive liquid detergent.
- **The lighting is designed for use during cooking and not for prolonged general illumination of the environment. Prolonged use of the light notably reduces the duration of the bulb and is generally not recommended.**

REPLACING THE GLOBES.

- Open the anti-grease filters.
- Un-screw the globe.
- Replace the globe.
- Re-install the anti-grease filter.

Globe: Tubular E14 (40Watts 240volts).

CONTROLS (Fig.5) **MECHANICAL** the key symbols are explained below:

A = LIGHT

B = OFF

C = SPEED I

D = SPEED II

E = SPEED III

THE MANUFACTURER DECLINES ALL RESPONSIBILITY FOR EVENTUAL DAMAGES CAUSED BY BREACHING THE ABOVE WARNINGS.