

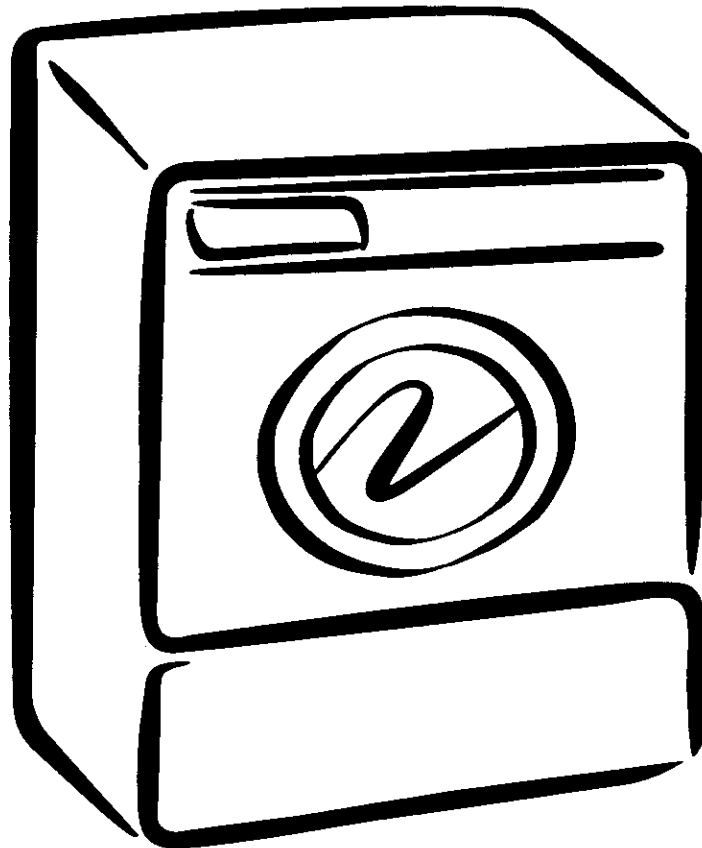


# TUMBLE ACTION WASHER

Use & Care Guide

# LAVADORA CON TAMBOREACCIÓN

Manual de Uso & Mantenimiento



ENGLISH

ESPAÑOL

---

## Table of Contents

Product Record .....	2
Tumble Action Washer Warranty .....	2
Sears Maintenance Agreement .....	2
IMPORTANT SAFETY INSTRUCTIONS .....	3-4
Washing Procedures .....	5-7
Stain Removal .....	7-8
Common Washing Problems .....	9
Care and Cleaning .....	10-11
Avoid Service Checklist .....	11-12
Español .....	13-23
Service .....	Back Cover

## Product Record

In the space below, record the date of purchase, model and serial number of your product. You will find the model and serial number printed on an identification plate located at the top, inside of the door opening.

Model No. 417.

Date of Purchase \_\_\_\_\_

Serial No. \_\_\_\_\_

Save these instructions and your sales receipt for future reference.

---

## Tumble Action Washer Warranty

### Full One Year Warranty on Mechanical and Electrical Parts

For one year from the date of purchase, if this Tumble Action Washer is installed and operated according to the instructions in the Use and Care Guide, Operating Instructions, and Installation Instructions, Sears will repair or replace any of its mechanical or electrical parts if they are defective in material or workmanship.

### Limited Two Year Warranty on Motor, Driven Pulley or Motor Controller

For the second year from the date of purchase, Sears will replace the motor, driven pulley or motor controller if they are defective in material or workmanship. You must pay the labor cost to have them installed.

### Limited Lifetime Warranty on Stainless Steel Wash Basket

For the lifetime of the washer from the date of purchase, Sears will replace the stainless steel wash basket if it is defective in material or workmanship. You must pay the labor cost to have it installed.

### Warranty Restriction

If this Tumble Action Washer is used for any purpose other than Private Family Use, all warranty coverage is effective for only 90 days.

### Warranty Service

Warranty service is available by contacting your nearest Sears Service Center in the United States.

This warranty applies only while this Tumble Action Washer is in use in the United States.

This warranty gives you specific legal rights, and you may also have other rights which vary from state to state.

**Sears, Roebuck and Co., Dept. 817WA, Hoffman Estates, IL 60179**

---

## Sears Maintenance Agreement

"We Service What We Sell" is our assurance to you that you can depend on Sears for service. Your Kenmore appliance has added value when you consider that Sears has service units nationwide, staffed with professional technicians trained on all appliances Sears sells. They have the knowledge and skills, tools, parts and equipment to ensure our pledge to you that "We Service What We Sell."

Maintain the value of your purchase with a Sears Maintenance Agreement. Kenmore appliances are designed, manufactured, and tested for years of dependable operation. Yet any major home appliance may require service from time to time. The Sears Maintenance Agreement offers you an outstanding service program for your product.

The Sears Maintenance Agreement:

- is your way to buy tomorrow's service at today's prices.
- Eliminates repair bills resulting from normal use.
- Allows for as many service calls as you need.
- Provides an annual Preventive Maintenance Check at your request to keep your Kenmore Appliance in proper running condition.

**For more information, call 1-800-827-6655.**

## Important Safety Instructions

### Read all instructions before using this washer.

**⚠ WARNING** To reduce the risk of fire, electrical shock, or injury to persons when using this washer, comply with the basic warnings listed below.

**⚠** Failure to comply with these warnings could result in serious personal injuries.

### Prevent Fire

**⚠ WARNING** Do not wash items that have been previously cleaned in, soaked in, or spotted with gasoline, cleaning solvents, kerosene, cooking oils, waxes, etc. Do not store these items on or near the washer. These substances give off vapors or chemical reactions that could ignite or explode.

**⚠ WARNING** Do not put oily or greasy rags or clothing on top of the washer. These substances give off vapors that could ignite the materials.

**⚠ WARNING** Do not add gasoline, cleaning solvents, or other flammable or explosive substances to the wash water. These substances give off vapors that could ignite or explode.

**⚠ WARNING** Under certain conditions, hydrogen gas may be produced in a hot water system that has not been used for 2 weeks or more. **HYDROGEN GAS IS EXPLOSIVE.** If the hot water system has not been used for such a period, before using the washer, turn on all hot water faucets and let the water flow from each for several minutes. This will release any accumulated hydrogen gas. Hydrogen gas is flammable; do not smoke or use an open flame during this time.

**⚠ WARNING** Do not store or use gasoline or other flammable vapors or liquids in the vicinity of this or any other appliance.

**⚠** Failure to comply with these warnings could result in fire, explosion, serious bodily injury and/or damage to the rubber or plastic parts of the washer.

### Protect Children

**⚠ WARNING** Do not allow children to play on or in the washer. Close supervision of children is necessary when the washer is used near children. As children grow, teach them the proper, safe use of all appliances.

**⚠ WARNING** Destroy the carton, plastic bag and other packing materials after the washer is unpacked. Children might use them for play. Cartons covered with rugs, bedspreads or plastic sheets can become airtight chambers.

**⚠ WARNING** Keep laundry products out of children's reach. To prevent personal injury, observe all warnings on product labels.

**⚠ WARNING** Before the washer is removed from service or discarded, remove the washer door to prevent accidental entrapment.

**⚠** Failure to comply with these warnings could result in serious personal injuries.

This Use and Care Guide provides general operating instructions for your washer. It also contains information about features for several other models. Your washer may not have every feature included here.

Use the washer only as instructed in this Use and Care Guide and the **Operating Instructions** included with your washer.

**Your safety and the safety of others is very important.**

We have provided many important safety messages in the Use and Care Guide, Operating Instructions, Installation Instructions and on your appliance. Always read and obey all safety messages.

**⚠** This is the safety alert symbol. This symbol alerts you to hazards that can kill or hurt you or others. All safety messages will be preceded by the safety alert symbol and the word "DANGER" or "WARNING". These words mean:

- ⚠ DANGER** You will be killed or seriously injured if you don't follow instructions.
- ⚠ WARNING** You can be killed or seriously injured if you don't follow instructions.

**All safety messages will identify the hazard, tell you how to reduce the chance of injury, and tell you what can happen if the instructions are not followed.**

**Instructional Video**

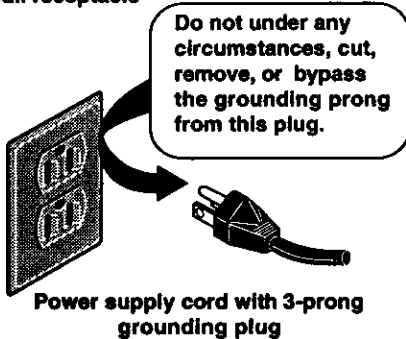
An instructional video has been included with your washer. It highlights features unique to this tumble action washer and will help you operate your washer correctly. This video is especially helpful if your previous washer was a vertical-axis model.



## Important Safety Instructions (continued)

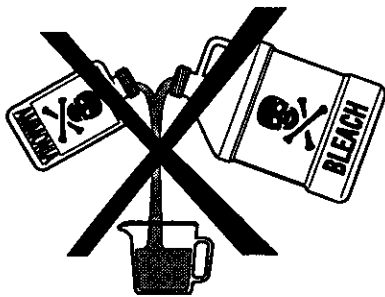
**⚠ WARNING** Avoid fire hazard or electrical shock. Do not use an adaptor plug or extension cord or remove grounding prong from electrical power cord. Failure to follow this warning can cause serious injury, fire or death.

Grounding type wall receptacle



**CORRECT**  
Use this way **ONLY**

**⚠ WARNING** Do not use or mix liquid chlorine bleach with other household chemicals such as toilet cleaners, rust removers, acid or products containing ammonia. These mixtures can produce dangerous fumes which can cause serious injury or death.



**Note:** The instructions appearing in this Owner's Guide are not meant to cover every possible condition and situation that may occur. Common sense and caution must be practiced when installing, operating and maintaining any appliance.

## Prevent Injury

**⚠ WARNING** To prevent shock hazard and assure stability during operation, the washer must be installed and electrically grounded by a qualified service person in accordance with local codes. Installation instructions are packed in the washer for installer's reference. Refer to **INSTALLATION INSTRUCTIONS** for detailed grounding procedures. If the washer is moved to a new location, have it checked and reinstalled by a qualified service person.

**⚠ WARNING** To prevent personal injury or damage to the washer, the electrical power cord of the washer must be plugged into a properly grounded and polarized 3-prong outlet. **The third grounding prong must never be removed. Never ground the washer to a gas pipe. Do not use an extension cord or an adaptor plug.**

**⚠ WARNING** Follow package directions when using laundry products. Incorrect usage can produce poisonous gas--resulting in serious injury or death.

- Do not combine laundry products for use in 1 load unless specified on the label.
- Do not mix chlorine bleach with ammonia or acids such as vinegar.

**⚠ WARNING** To prevent serious personal injury and damage to the washer:

- **All repairs and servicing must be performed by an authorized servicer** unless specifically recommended in this Owner's Guide. Use only authorized factory parts.
- Do not tamper with controls.
- Do not install or store the washer where it will be exposed to the weather.
- Do not install on carpet. Install washer on a solid floor. It may be necessary to reinforce the floor to prevent vibration or movement.

**⚠ WARNING** To reduce the risk of electric shock, disconnect this appliance from the power supply before attempting any user maintenance. Turning the controls to the OFF position does not disconnect this appliance from the power supply.

**⚠ WARNING** To prevent injury, do not reach into the washer while parts are moving. Before loading, unloading or adding items, push in the cycle selector knob and allow the drum to coast to a complete stop before reaching inside.

**⚠** Failure to comply with these warnings could result in serious personal injuries.

**⚠** This washer is equipped with an electrical overload protector. The motor will stop if it becomes overheated. The washer will automatically restart after a cool down period of up to 30 minutes, if the washer has not been manually turned off during this time.

## SAVE THESE INSTRUCTIONS

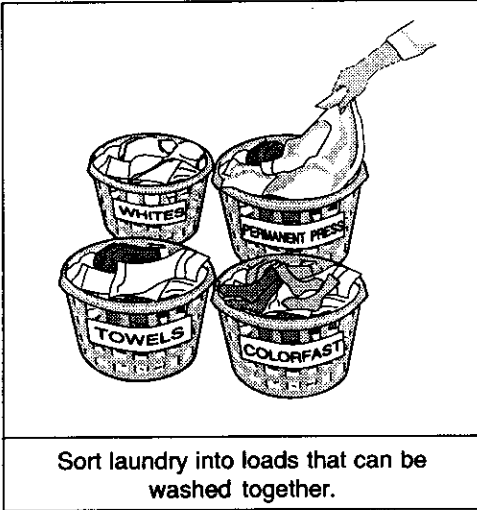


As an ENERGY STAR® Partner, Frigidaire Home Products has determined that this product meets the ENERGY STAR® guidelines for energy efficiency.

# Washing Procedures

- Follow the guidelines below for preparing the wash load.
- Read the **Operating Instructions** card for operating your specific model.
- **Always read and follow fabric care and laundry product labels.**

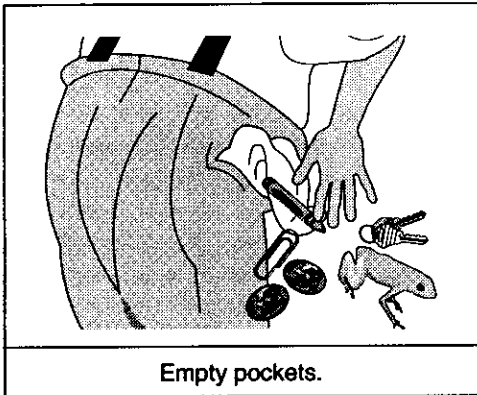
**⚠ WARNING** To reduce the risk of fire, electrical shock, or injury to persons, read **Important Safety Instructions**, pages 3-4, before operating this washer.



## 1. Sort laundry into loads that can be washed together.

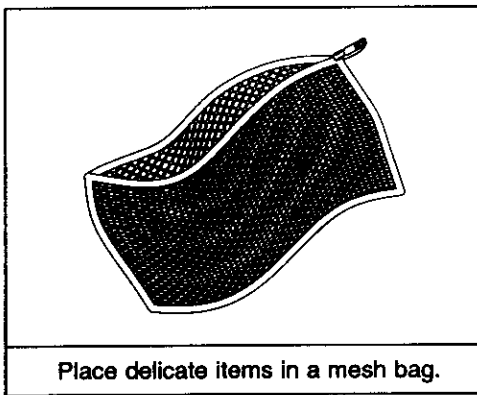
Sort items by recommended water temperatures and wash time.

- Separate white, light, and colorfast items from dark and noncolorfast items.
- Separate items which shed lint from items which attract lint. Permanent press, synthetic, knit and corduroy items will pick up lint from towels, rugs and chenille bedspreads.
- Separate heavily soiled items from lightly soiled items.
- Separate lacy, sheer and loosely knit items from sturdy items.
- Do not machine wash items containing fiberglass. Small particles of fiberglass left in the drum may stick to fabrics in other loads and cause skin irritation.



## 2. Prepare items for washing.

- Empty pockets.
- Brush off lint and dirt. Shake out rugs and beach towels.
- Close zippers, fasten hooks, tie strings and sashes, and remove nonwashable trims and ornaments.
- Remove pins, decorative buttons, belt buckles, and other objects which could be damaged. This also helps protect other items in the wash load.
- Mend rips and tears to prevent further damage during washing.
- Place delicate items such as bras, shoulder pads, hosiery, and belts in a mesh bag to prevent tangling during the wash cycle.
- Turn knit items inside out to prevent pilling.



## 3. Pretreat stains and heavy soil.

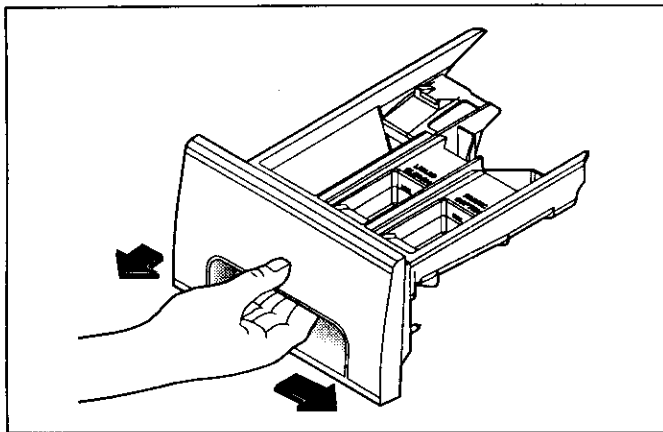
See **Stain Removal**, pages 7-8, for details.

## 4. Add laundry load to washer.

- Combine large and small items in a load. Load large items first. Large items should not be more than half the total wash load.
- Washing single items such as a sweater, towel or jeans may cause an out-of-balance load. Add 1 or 2 similar items to help balance the load.
- Single heavy items such as a bedspread can be washed separately.
- The washer can be fully loaded, but the items should not be tightly packed. The door should close easily.



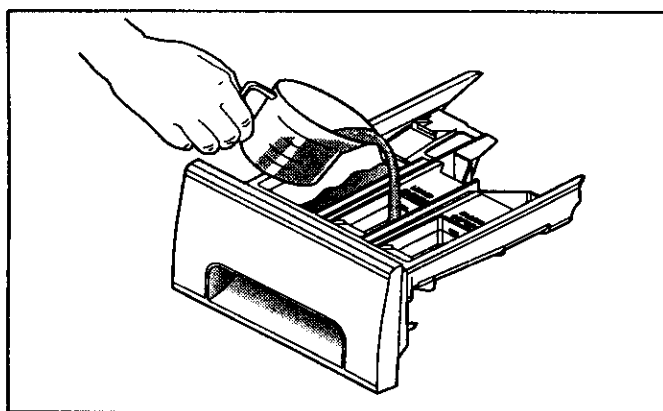
## 5. Add detergent, bleach and fabric softener to automatic dispenser following these steps:




### A. OPENING AND CLOSING THE DISPENSER DRAWER

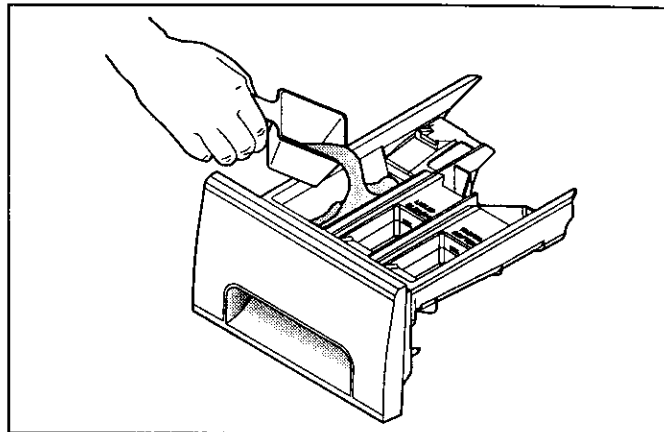
- Slowly open the dispenser drawer by first sliding the safety latch to the right, then pulling the drawer out until it stops.
- After adding laundry products, slowly close the dispenser drawer. Closing the drawer too quickly could result in early dispensing of the bleach and fabric softener.
- Laundry products used with powder or liquid detergent, such as color-safe bleach, water conditioner, detergent booster, and enzyme products should be added to the empty tub before loading.

**Note:** From time to time you may see water in the bleach and fabric softener compartments. This is a result of the siphoning action and is part of the normal operation of the washer.



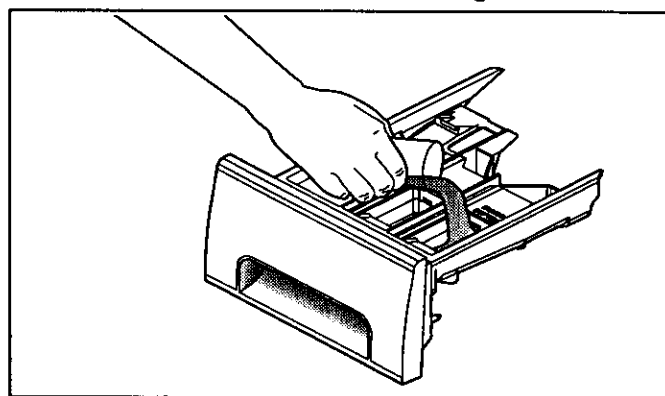
### C. LIQUID BLEACH

- If desired, measure out the recommended amount of liquid chlorine bleach (not to exceed 1/3 cup (80 mL)) and pour it into the center compartment labeled "Liquid Bleach" and marked with this symbol .
- Do not exceed the maximum fill line. Overfilling can cause early dispensing of the bleach which could result in damaged clothes.
- Do not pour undiluted liquid chlorine bleach directly onto the load or into the drum. Fabric damage can occur.
- Do not use powdered bleach in the dispenser.




### B. DETERGENT

- Add measured detergent to the detergent compartment of the dispenser drawer.
- Detergent is flushed from the dispenser at the beginning of the cycle. Either powdered or liquid detergent can be used. **Note:** Liquid detergent will drain into the washer drum as it is added.
- Low sudsing detergent is recommended for this washer. Use the manufacturer's recommended amount.
- If low sudsing detergent is not available, a reduced amount of regular detergent may be used. Because reducing the amount of detergent may reduce cleaning, it is important to pretreat stains, sort carefully by color and soil level, and avoid overloading.
- Detergent usage may need to be adjusted for water temperature, water hardness, size and soil level of the load.
- For best results, avoid oversudsing.

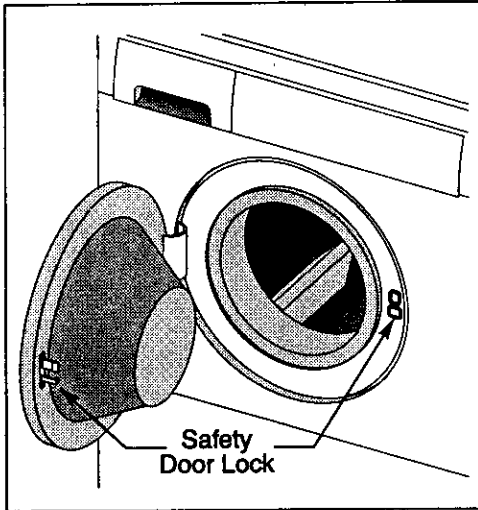


### D. FABRIC SOFTENER

- If desired, pour the recommended amount of fabric softener into the compartment labeled "Fabric Softener" and marked with this symbol .
- Dilute concentrated softeners with warm water to the Fill Line.
- Do not exceed the maximum fill line. Overfilling can cause early dispensing of the fabric softener which could result in stained clothes.
- Do not pour fabric softener directly on the wash load.
- Use of a fabric softener dispensing ball is not recommended in tumble action washers.

## Washing Procedures

(continued)



Do not store or place laundry products on top of washer at any time. They can damage the finish or controls.

### 6. Set cycle selector knob and washer controls according to type, size, and soil level of each load.

(See **Operating Instructions** card for your specific model controls.)

### 7. Start the washer.

Close the washer door and pull out the cycle selector knob. For your safety, the door will automatically lock during the entire wash cycle. The Door Lock indicator light will remain lit until the cycle ends.

- Washer will fill and tumble.
- To stop the washer, push in the cycle selector knob.
- To open the door during tumbling, push in the cycle selector knob. Wait for the water to run off of the door.
- To change a cycle, push in the cycle selector knob and turn it **clockwise** to the desired setting. Pull out the knob to restart the washer.
- To open the door during a spin cycle, push in the cycle selector knob. The Door Lock indicator light will turn off. Wait 1-2 minutes for the lock to release. The door can then be opened. Do not force open the locked door.

### 8. Remove items when the cycle is completed.

Place washed items in automatic dryer, line dry, or dry flat as directed by fabric care label. Excess wrinkling, color transfer or odors may develop in items left in the washer after the cycle has ended.

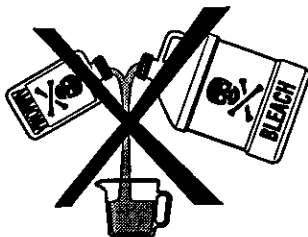
### 9. General Precautions

- If the dispenser drawer is pulled out more than 1-1/2" when the washer is in operation, the washer will shut off. The Door Lock indicator light will turn off and the door will be unlocked. Slowly close the drawer, and the washer will automatically resume operation.
- Do not slam the washer door closed or try to force the door open when locked (Door Lock light ON). This could result in damage to the washer.
- **DO NOT leave the washer door open.** An open door could entice children to hang on the door or crawl inside the washer.
- To avoid damaging the washer and personal injury, **DO NOT** hang on or lean against the washer door.
- Do not place detergent, bleach or fabric softener containers on top of the washer. They can damage the finish or controls.

ENGLISH

## Stain Removal

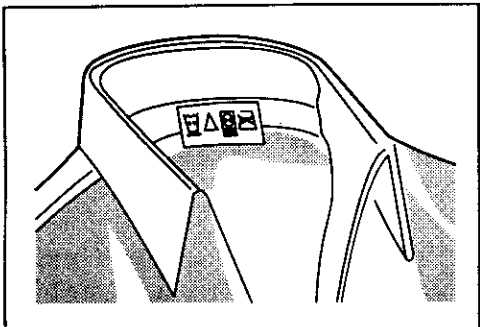
**⚠ WARNING** Do not use or mix liquid chlorine bleach with other household chemicals such as toilet cleaners, rust removers, acid or products containing ammonia. These mixtures can produce dangerous fumes which can cause serious injury or death.



## Safe Stain Removal Procedures

**⚠ WARNING** To reduce the risk of fire or serious injury to persons or property, comply with the basic warnings listed below:

- Read and comply with all instructions on stain removal products.
- Keep stain removal products in their original labeled containers and out of children's reach.
- Thoroughly wash any utensil used.
- Do not combine stain removal products, especially ammonia and chlorine bleach. Dangerous fumes may result.
- Never wash items which have been previously cleaned in, washed in, soaked in or spotted with gasoline, dry cleaning solvents or other flammable or explosive substances because they give off vapors that could ignite or explode.
- Never use highly flammable solvents, such as gasoline, inside the home. Vapors can explode on contact with flames or sparks.



Follow fabric care label instructions.

**For successful stain removal:**

- Remove stains promptly.
- Determine the kind of stain, then follow the recommended treatment in the stain removal chart below.
- To pretreat stains, use a prewash product, liquid detergent, or a paste made from granular detergent and water.
- Use cold water on unknown stains because hot water can set stains.
- Check care label instructions for treatments to avoid on specific fabrics.
- Check for colorfastness by testing stain remover on an inside seam.
- Rinse and wash items after stain removal.

## Stain Removal

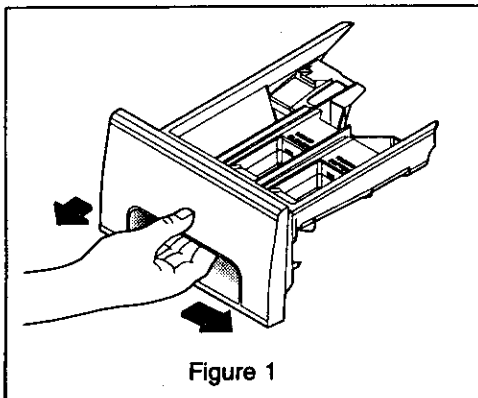
STAIN	TREATMENT
Adhesive tape, chewing gum, rubber cement	Apply ice. Scrape off excess. Place stain face down on paper towels. Saturate with prewash stain remover or nonflammable dry cleaning fluid.
Baby formula, dairy products, egg	Use product containing enzymes to pretreat or soak stains. Soak for 30 minutes or more. Wash.
Beverages (coffee, tea, soda, juice, alcoholic beverages)	Pretreat stain. Wash using cold water and bleach safe for fabric.
Blood	Rinse with cold water. Rub with bar soap. Or, pretreat or soak with product containing enzymes. Wash using bleach safe for fabric.
Candle wax, crayon	Scrape off surface wax. Place stain face down between paper towels. Press with warm iron until wax is absorbed. Replace paper towels frequently. Treat remaining stain with prewash stain remover or nonflammable dry cleaning fluid. Hand wash to remove solvent. Wash using bleach safe for fabric.
Chocolate	Pretreat or soak in warm water using product containing enzymes. Wash using bleach safe for fabric.
Collar or cuff soil, cosmetics	Pretreat with prewash stain remover or rub with bar soap.
Dye transfer on white fabric	Use packaged color remover. Wash using bleach safe for fabric.
Grass	Pretreat or soak in warm water using product containing enzymes. Wash using bleach safe for fabric.
Grease, oil, tar (butter, fats, salad dressing, cooking oils, car grease, motor oils)	Scrape residue from fabric. Pretreat. Wash using hottest water safe for fabric. For heavy stains and tar, apply nonflammable dry cleaning fluid to back of stain. Replace towels under stain frequently. Rinse thoroughly. Wash using hottest water safe for fabric.
Ink	Some inks may be impossible to remove. Washing may set some inks. Use prewash stain remover, denatured alcohol or nonflammable dry cleaning fluid.
Mildew, scorch	Wash with chlorine bleach if safe for fabric. Or, soak in oxygen bleach and hot water before washing. Badly mildewed fabrics may be permanently damaged.
Mud	Brush off dry mud. Pretreat or soak with product containing enzymes.
Mustard, tomato	Pretreat with prewash stain remover. Wash using bleach safe for fabric.
Nail polish	May be impossible to remove. Place stain face down on paper towels. Apply nail polish remover to back of stain. Repeat, replacing paper towels frequently. Do not use on acetate fabrics.
Paint, varnish	<b>WATER BASED:</b> Rinse fabric in cool water while stain is wet. Wash. Once paint is dry, it cannot be removed. <b>OIL BASED AND VARNISH:</b> Use solvent recommended on can label. Rinse thoroughly before washing.
Perspiration	Use prewash stain remover or rub with bar soap. Rinse. Wash using nonchlorine bleach in hottest water safe for fabric.
Rust, brown or yellow discoloration	For spots, use rust remover safe for fabric. For discoloration of an entire load, use phosphate detergent and nonchlorine bleach. <b>Do not use chlorine bleach because it may intensify discoloration.</b>
Shoe polish	<b>LIQUID:</b> Pretreat with a paste of granular detergent and water. <b>PASTE:</b> Scrape residue from fabric. Pretreat with prewash stain remover or nonflammable dry cleaning fluid. Rinse. Rub detergent into dampened area. Wash using bleach safe for fabric.
Urine, vomit, mucus, feces	Pretreat or soak in product containing enzymes. Wash using bleach safe for fabric.

# Common Washing Problems

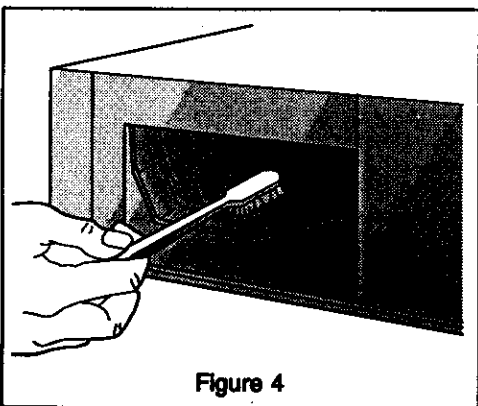
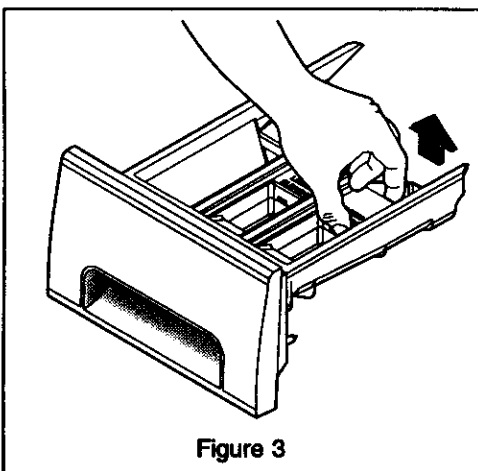
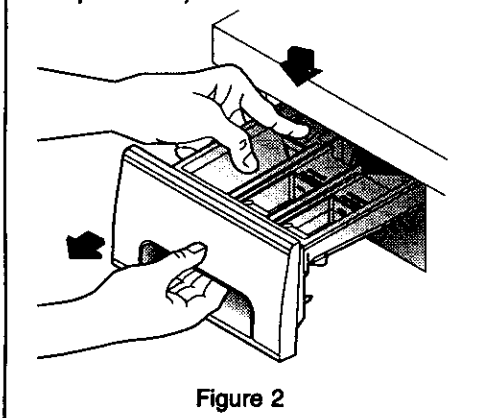
Many washing problems involve poor soil and stain removal, residues of lint and scum, and fabric damage. For satisfactory washing results, follow these suggestions provided by The Soap and Detergent Association.

PROBLEM	POSSIBLE CAUSES	SOLUTIONS	PREVENTIVE MEASURES
<b>Blue stains</b>	<ul style="list-style-type: none"> <li>• Undiluted liquid detergent or fabric softener dispensed directly onto fabric.</li> </ul>	<ul style="list-style-type: none"> <li>• If caused by detergent, mix 1 cup (240 ml) white vinegar with 1 quart (.95 L) water in a plastic container. Soak item 1 hour. Rinse.</li> <li>• If caused by fabric softener, rub stains with bar soap. Wash.</li> </ul>	<ul style="list-style-type: none"> <li>• Avoid overfilling detergent and fabric softener compartments of dispenser.</li> </ul>
<b>Discoloration, graying</b>	<ul style="list-style-type: none"> <li>• Not enough detergent.</li> <li>• Wash water temperature too low.</li> <li>• Incorrect sorting.</li> </ul>	<ul style="list-style-type: none"> <li>• Rewash with correct amount of detergent and hottest water safe for fabric. Add bleach safe for fabric.</li> </ul>	<ul style="list-style-type: none"> <li>• Sort items by soil level and color.</li> <li>• Use correct amount of detergent, hottest water and bleach safe for fabric.</li> </ul>
<b>Greasy, oily stains</b>	<ul style="list-style-type: none"> <li>• Not enough detergent.</li> <li>• Undiluted liquid fabric softener poured directly on fabric.</li> </ul>	<ul style="list-style-type: none"> <li>• Treat with prewash stain remover or liquid detergent.</li> <li>• Increase detergent and water temperature. Rewash.</li> <li>• Rub fabric softener stains with bar soap.</li> </ul>	<ul style="list-style-type: none"> <li>• Use correct amount of detergent and hottest water safe for fabric.</li> <li>• <b>Do not pour liquid fabric softener directly on fabric.</b> See <b>Washing Procedures</b> for directions on adding softener.</li> </ul>
<b>Holes, tears, or snags</b>	<ul style="list-style-type: none"> <li>• Incorrect use of chlorine bleach.</li> <li>• Unfastened zippers, hooks, buckles.</li> <li>• Rips, tears and broken threads.</li> <li>• Overloading the washer.</li> <li>• Degradation of fabric.</li> </ul>	<ul style="list-style-type: none"> <li>• May be irreversible if rips, tears and seams cannot be mended.</li> </ul>	<ul style="list-style-type: none"> <li>• Never pour chlorine bleach directly on fabric.</li> <li>• Check condition of items before washing. See <b>Washing Procedures</b> for preparing and loading the wash load and adding chlorine bleach.</li> </ul>
<b>Lint</b>	<ul style="list-style-type: none"> <li>• Incorrect sorting.</li> <li>• Tissues left in pocket.</li> <li>• Overloading the washer.</li> <li>• Not enough detergent.</li> <li>• Undissolved detergent has left a residue resembling lint.</li> <li>• Static cling is attracting lint.</li> <li>• Load washed too long.</li> </ul>	<ul style="list-style-type: none"> <li>• Reduce load size. Rewash using correct water temperature, water level, and amount of detergent.</li> <li>• Add nonprecipitating water conditioner to wash water to remove detergent residue.</li> <li>• Add liquid fabric softener to final rinse.</li> <li>• Dry load in dryer.</li> <li>• Remove lint with lint brush or roller.</li> </ul>	<ul style="list-style-type: none"> <li>• See <b>Washing Procedures</b> for sorting and preparing the wash load.</li> <li>• Do not overload washer.</li> <li>• Use correct temperature and amount of detergent, water and wash time.</li> </ul>
<b>Pilling</b> (Fibers break off, ball up and cling to fabric.)	<ul style="list-style-type: none"> <li>• Pilling is normal with synthetic and permanent press fabrics. This is due to abrasion from normal wear.</li> </ul>	<ul style="list-style-type: none"> <li>• Use a lint brush or shaver to remove pills.</li> </ul>	<ul style="list-style-type: none"> <li>• Use fabric softener in the washer to lubricate fibers.</li> <li>• When ironing, use spray starch or fabric finish on collars and cuffs.</li> <li>• Turn items inside out to reduce abrasion.</li> </ul>
<b>Residue or powder on dark items; Stiff, harsh fabrics.</b>	<ul style="list-style-type: none"> <li>• Undissolved detergent.</li> <li>• Some nonphosphate granular detergents can combine with hard water minerals to form a residue.</li> <li>• Overloading the washer.</li> </ul>	<ul style="list-style-type: none"> <li>• Rewash load.</li> </ul>	<ul style="list-style-type: none"> <li>• Increase water temperature using hottest water safe for fabric.</li> <li>• Do not overload washer.</li> <li>• Use liquid detergent or use nonprecipitating water conditioner with nonphosphate granular detergent.</li> </ul>
<b>Wrinkling</b>	<ul style="list-style-type: none"> <li>• Overloading the washer.</li> <li>• Incorrect wash cycle for wash load.</li> </ul>	<ul style="list-style-type: none"> <li>• Reduce load size.</li> <li>• Rinse in cold water with liquid fabric softener using the Perm Press or Delicate cycle.</li> </ul>	<ul style="list-style-type: none"> <li>• Do not overload washer.</li> <li>• Remove items from washer as soon as cycle is completed.</li> <li>• Use liquid fabric softener.</li> </ul>
<b>Yellow buildup of body soil on synthetic fabrics</b>	<ul style="list-style-type: none"> <li>• Agitation time too short.</li> <li>• Wash water temperature too low.</li> <li>• Not enough detergent.</li> </ul>	<ul style="list-style-type: none"> <li>• Soak in detergent booster or product containing enzymes.</li> <li>• Wash in hot water (120°F/49°C) using full permanent press cycle. Increase detergent. Add bleach safe for fabric.</li> <li>• Or, treat with color remover.</li> </ul>	<ul style="list-style-type: none"> <li>• Select correct wash cycle.</li> <li>• Use correct amount of detergent.</li> <li>• Wash synthetics frequently using hot or warm water.</li> </ul>
<b>Yellow or brown rust stains</b>	<ul style="list-style-type: none"> <li>• Iron or manganese in water supply, water pipes, or water heater.</li> </ul>	<ul style="list-style-type: none"> <li>• To restore discolored load of whites, use rust remover safe for fabric.</li> <li>• <b>Do not use chlorine bleach to remove rust stains. It may intensify discoloration.</b></li> </ul>	<ul style="list-style-type: none"> <li>• Use nonprecipitating water softener.</li> <li>• Before washing, run hot water for a few minutes to clear lines.</li> <li>• Drain water heater occasionally.</li> <li>• For an ongoing problem, install an iron filter in your water supply system.</li> </ul>

## Care and Cleaning



(Lock tab is visible only after drawer has been pulled out)



## Outside

- When washing is completed, wipe top and sides of washer with a damp cloth. Turn water faucets off to prevent pressure build-up in the hoses.
- As needed, clean the cabinet with mild soap and water. **Never use harsh, gritty or abrasive cleansers.** If door or console becomes stained, clean with diluted chlorine bleach [1/2 cup (120 ml) in 1 quart (.95 L) water]. Rinse several times with clear water.
- Remove glue residue from tape or labels with a mixture of warm water and mild detergent. Or, touch residue with the sticky side of the tape or label.
- **Before moving the washer,** place a strip of cardboard or thin fiberboard under the front leveling legs to prevent floor damage.

## Cleaning the Dispenser Drawer Area

Detergent and fabric softener may build up in the dispenser drawer. Residue should be removed once or twice a month.

- Remove the drawer by first sliding the safety latch to the right, then pulling the drawer out until it stops. (Figure 1)
- Reach back into the left rear corner of the drawer cavity and press down firmly on the lock tab (left rear portion of the drawer). Pull out the drawer. (Figure 2)
- Remove the inserts from the bleach and fabric softener compartments. (Figure 3)
- Rinse the drawer and inserts with hot tap water to remove traces of accumulated powders and liquids. Large amounts of fabric softener residue may indicate improper dilution or more frequent cleaning is required.
- To clean the drawer opening, use a small brush to clean the recess. Remove all residue from the upper and lower parts of the recess. (Figure 4)
- Return the bleach and fabric softener inserts to their proper compartments. Replace the dispenser drawer and run the Prewash cycle without any wash load in the drum.

## Inside

- Remove items from the washer as soon as the cycle ends. Excess wrinkling, color transfer, and odors may develop in items left in the washer.
- Before cleaning the washer interior, **unplug the electrical power cord** to avoid electrical shock hazards.
- Dry around the washer door opening, flexible gasket, and door glass. These areas should always be clean to ensure a water tight seal.
- When extremely soiled items have been washed, a dirty residue may remain on the drum. Remove this by wiping the drum with a nonabrasive household cleanser. Rinse thoroughly with water.
- The plastic drum vanes may become stained from fabric dye. Clean these parts with a nonabrasive household cleanser. This prevents dye transfer to future loads.

## Care and Cleaning

(continued)



## Winterizing Instructions

If the washer is stored in an area where freezing can occur or moved in freezing temperatures, follow these winterizing instructions to prevent damage to the washer:

1. Turn off water supply faucets.
2. Disconnect hoses from water supply and drain water from hoses.
3. Plug electrical cord into a properly grounded electrical outlet.
4. Add 1 gallon (3.8 L) nontoxic recreational vehicle (RV) antifreeze to empty wash drum. Close door.
5. Set cycle selector knob at a spin setting. Pull out knob and let washer spin for 1 minute to drain out all water. Not all of the RV antifreeze will be expelled.
6. Push in knob, unplug electrical power cord, dry drum interior, and close door.
7. Remove dispenser drawer. Drain any water in compartments and dry compartments. Replace drawer.
8. Store washer in an upright position.
9. To remove antifreeze from washer after storage, run empty washer through a complete cycle using detergent. **Do not add wash load.**

ENGLISH

## Avoid Service Checklist

Before calling for service, review this list. It may save both time and expense. The list includes common concerns that are not the result of defective workmanship or materials in this washer.

### OCCURRENCE

### POSSIBLE CAUSE / SOLUTION

#### NOISE

"Clicking" noise.	<ul style="list-style-type: none"><li>• A normal sound made by the timer.</li></ul>
High pitch "jet engine" noise.	<ul style="list-style-type: none"><li>• A certain amount of motor whine is normal during the spin cycle.</li></ul>
Rattling and clanking noise.	<ul style="list-style-type: none"><li>• Foreign objects such as coins or safety pins may be in drum or pump. Stop washer and check drum. If noise continues after washer is restarted, objects may be in pump. Call your authorized servicer.</li><li>• Belt buckles and metal fasteners are hitting wash drum. To prevent unnecessary noise and damage to drum, fasten fasteners and turn items inside out.</li></ul>
Squealing sound or hot rubber odor.	<ul style="list-style-type: none"><li>• Washer is overloaded. Do not overload washer. Stop washer and reduce load.</li></ul>
Thumping sound.	<ul style="list-style-type: none"><li>• Heavy wash loads may produce a thumping sound. This is usually normal. If sound continues, washer is probably out of balance. Stop washer and redistribute wash load.</li></ul>
Vibrating noise.	<ul style="list-style-type: none"><li>• Washer is not resting firmly on floor. Move washer so it rests firmly on floor. Adjust leveling legs. See INSTALLATION INSTRUCTIONS for details.</li><li>• Shipping bolts and foam block have not been removed during installation. See INSTALLATION INSTRUCTIONS for removing shipping bolts and foam block.</li><li>• Wash load unevenly distributed in drum. Stop washer and rearrange wash load.</li></ul>

## OCCURRENCE

## POSSIBLE CAUSE / SOLUTION

### OPERATING

**Washer does not start.**

- Electrical power cord may not be plugged in or connection may be loose. Make sure plug fits tightly in wall outlet.
- House fuse blown, circuit breaker tripped, or a power outage has occurred. Reset circuit breaker or replace fuse. Do not increase fuse capacity. If problem is a circuit overload, have it corrected by a qualified electrician. If problem is a power outage, call local electric company.
- Water supply faucets are not turned on. Turn on water supply faucets.
- Cycle selector is not in correct position. Move indicator clockwise slightly. Pull out knob.
- Motor is overheated. Washer motor will stop if it becomes overheated. It will automatically restart after a cool down period of up to 30 minutes (if washer has not been manually turned off).
- Dispenser drawer is not completely closed. Close dispenser drawer.

**Washer won't spin.**

- Washer door is not completely closed. Close door completely.
- Dispenser drawer is not completely closed. Close dispenser drawer.
- Load is too small. Add 1 or 2 similar items to help balance the load.

**Residue left in drum.**

- Heavily soiled items. Wipe drum with a nonabrasive household cleanser, then rinse. Shake or brush excess dirt and sand from items before washing.

### WATER

**Water collects in bleach and fabric softener compartments.**

- This is a result of the siphoning action and is part of the normal operation of the washer. Water may be removed by removing the dispenser drawer (see Page 10, Figures 1 and 2) and draining water into the empty drum or sink.

**Wash load too wet after spin.**

- Washer is overloaded. Do not overload washer. See **Washing Procedures**.
- Load is too small. Add 1 or 2 similar items to help balance the load.
- Load is out of balance. Rearrange load to allow proper spinning.
- Drain hose is kinked. Straighten drain hose.

**Water does not enter washer or it enters slowly.**

- Water supply is not adequate in area. Check another faucet in the house. Wait until water supply and pressure increase.
- Water supply faucets are not completely open. Fully open hot and cold faucets.
- Water is being used elsewhere in the house. Water pressure must be at least 30 psi (260 kPa). Avoid running water elsewhere while washer is filling.
- Water inlet hoses are kinked. Straighten hoses.

**Warm or hot water is not hot enough.**

- Hot water heater is set too low or is a distance from washer. Measure hot water temperature at nearby faucet with candy or meat thermometer. Water temperature should be at least 120°F (49°C). Adjust water heater as necessary.
- Hot water is being used elsewhere in the house. Avoid using hot water elsewhere before or during washer use. There may not be enough hot water available for proper cleaning. If problem persists, your hot water system may be unable to support more than 1 use at a time.

**Water in washer does not drain or drains slowly.**

- Drain hose is kinked or clogged. Clean and straighten the drain hose.
- Maximum standpipe height is 8' (2.4 m).

**Water leaks.**

- Fill hose connection is loose at faucet or washer. Check and tighten hose connections. Install rubber sealing washers provided.
- House drain pipes are clogged. Unclog drain pipes. Contact plumber if necessary.
- Oversudsing. Use less detergent.

**Incorrect wash and rinse temperatures.**

- Hot and cold water hoses are connected to wrong supply faucets. Connect hot water hose to hot water faucet and cold water hose to cold water faucet.

**Water is entering washer but tub does not fill.**

- Drain hose standpipe is incorrect height. Standpipe must be a minimum of 23.6" (60 cm) high to prevent siphoning. See **INSTALLATION INSTRUCTIONS**.

## Índice

English .....	2-12
Registro de producto.....	13
Garantía para lavadora con tamboreación.....	13
Contrato de mantenimiento Sears.....	13
INSTRUCCIONES IMPORTANTES	
PARA LA SEGURIDAD .....	14-15
Procedimientos para el lavado.....	16-18
Remover las manchas.....	18-19
Problemas de lavado comunes.....	20
Cuidado y limpieza.....	21-22
Evitar llamadas de servicio .....	22-23
Servicio .....	Cubierta

## Registro de producto

Registre en la parte reservada a continuación la fecha de compra, el número de modelo y el número de serie de su electrodoméstico. El número de modelo y el número de serie están inscritos sobre una placa de identificación ubicada en la parte superior de la puerta abierta.

Número de modelo: **417.** \_\_\_\_\_

Fecha de compra: \_\_\_\_\_

No de serie: \_\_\_\_\_

Guarde estas instrucciones y su boleta de compra para futuras referencias.

## GARANTÍA PARA LAVADORA CONTAMBOREACCIÓN

### Garantía completa de un año para las piezas mecánicas y eléctricas

Por un año desde la fecha de compra original, si esta lavadora con tamboreación se instala y opera de acuerdo con las Instrucciones del Manual de Uso y Mantenimiento, las Instrucciones para la Operación y las Instrucciones para la Instalación, Sears reparará o reemplazará cualesquiera de sus piezas mecánicas o eléctricas en caso de que ellas están defectuosas debido a material o a mano de obra.

### Garantía limitada de dos años para el motor, el accionador de polea o del controlador de motor

Por el segundo año desde la fecha de compra original, Sears reemplazará el motor, el accionador de polea o el controlador de motor en caso de que ellos están defectuosos debido a material o a mano de obra. Usted debe pagar el precio de obra para la instalación.

### Garantía limitada sobre la duración de la tina de lavadora en acero inoxidable

Para la duración de la lavadora a partir de la fecha de compra, Sears reemplazará la tina de lavadora en acero inoxidable que esté defectuosa debido a materiales o a mano de obra. Usted debe pagar el precio para realizar la instalación.

### Restricción de la garantía

Si se opera esta lavadora con tamboreación para un uso distinto al uso doméstico de una sola familia, toda la cobertura de la garantía es efectiva para solamente 90 días.

### Servicio bajo la garantía

Para obtener servicio bajo la garantía pongase en contacto con el más cercano Centro de Servicio Sears en los Estados Unidos.

Esta garantía se aplica únicamente mientras esta lavadora con tamboreación esté siendo usado en los Estados Unidos.

Esta garantía le otorga derechos legales específicos, y usted también puede tener otros derechos que varían de un estado a otro.

Sears, Roebuck and Co. Dept. 817WA, Hoffman Estates, IL 60179.

## CONTRATO DE MANTENIMIENTO SEARS

“MANTENEMOS TODO LO QUE VENDEMOS” Esta palabra es nuestra seguridad que Ud va a contar con Sears para todo servicio de mantenimiento o de reparación. Su electrodoméstico Kenmore tiene adicional valor cuando considere que Sears tiene agentes de servicios a través de los Estados Unidos, y técnicos profesionales que tienen adiestramiento con todos los aparatos que vende Sears. Los técnicos tienen el conocimiento y las habilidades, los herramientas, las piezas y el equipo para asegurar nuestra promesa a Usted que “Mantenemos todo lo que vendemos”.

Mantenga el valor de su adquisición con el servicio de mantenimiento Sears. Los aparatos Kenmore han sido concebidos, fabricados y probados para asegurar muchos años de seguro funcionamiento. Pero todo electrodoméstico puede necesitar mantenimiento de vez en cuando. El contrato de mantenimiento Sears le ofrece a Usted una programa de servicio excepcional para su aparato.

### El Servicio de Mantenimiento Sears

- Es su manera de comprar el servicio de mañana al precio de hoy
- Elimina las facturas de reparaciones que resultan del uso normal
- Permite todas las llamadas de servicio necesarias

Provee una Verificación de Mantenimiento Preventiva anual a su demanda, para mantener su electrodoméstico Kenmore en buena marcha.


Para obtener más informaciones llame al 1-800-827-6655


Este Manual de Uso y Mantenimiento le ofrece instrucciones generales para la utilización de su lavadora. También contiene información sobre las características de otros modelos. Puede ser que su lavadora no tenga todas las características que se incluyen aquí.


Use la lavadora solamente como se indica en el Manual de Uso y Mantenimiento y la tarjeta de Instrucciones para el Funcionamiento que se incluye con la lavadora.

### Su seguridad y la seguridad de terceros son muy importantes.

Hemos proporcionado muchos mensajes importantes para la seguridad en las Instrucciones de Operación del Manual de Uso y Mantenimiento, las Instrucciones de Instalación y en el mismo aparato. Siempre lea y obedezca todos los mensajes para seguridad.

 Este símbolo significa alerta. Este símbolo lo alerta acerca de peligros que pueden matar o lesionar, tanto a usted como a otras personas. Todos los mensajes de seguridad serán precedidos por el símbolo de alerta para su seguridad y la palabra "DANGER" o "WARNING" (PELIGRO O ADVERTENCIA). Estas palabras significan:

 **PELIGRO** DANGER (PELIGRO) Usted morirá o resultará seriamente lesionado si no sigue las instrucciones siguientes.

 **ADVERTENCIA** WARNING (ADVERTENCIA) Usted puede morir o resultar seriamente lesionado si no sigue las instrucciones siguientes.


**Todos los mensajes de seguridad identificarán el peligro, le dirán a usted cómo reducir la posibilidad de lesión y también qué puede suceder si no se siguen las instrucciones.**

### Video con Instrucciones

Incluimos un video con instrucciones (en inglés) junto con la lavadora. Le muestra las características exclusivas de esta lavadora de acción giratoria y le ayudará a utilizar correctamente su lavadora. Este video es particularmente útil si su lavadora anterior era un modelo con un eje vertical.


## Instrucciones importantes para la seguridad


### Lea todas las instrucciones antes de utilizar esta lavadora.


 **ADVERTENCIA** Para reducir el riesgo de incendio, descargas eléctricas o lesiones a las personas durante el uso de esta lavadora, cumpla con las advertencias básicas que se enumeran a continuación.


 El incumplimiento de estas advertencias puede causar lesiones personales graves.


### Evite el incendio


 **ADVERTENCIA** No lave ninguna prenda que haya sido limpiada, remojada o manchada con gasolina, solventes de limpieza, keroseno, aceites de cocina, ceras, etc. No guarde estos productos sobre ni cerca de la lavadora. Estas sustancias emiten vapores o reacciones químicas que pueden encenderse o explotar.

 **ADVERTENCIA** No coloque trapos ni ropa aceitosa o grasosa sobre la lavadora. Estas sustancias emiten vapores que pueden quemar los materiales.


 **ADVERTENCIA** No añada gasolina, solventes de limpieza ni otros productos inflamables o explosivos al agua de lavado. Estas sustancias emiten vapores que pueden encenderse o explotar.


 **ADVERTENCIA** Bajo ciertas condiciones, puede producirse gas de hidrógeno en un sistema de agua caliente que no ha sido usado por 2 semanas o más. **EL GAS DE HIDROGENO ES EXPLOSIVO.** Si el sistema de agua caliente no ha sido usado por este período, antes de usar la lavadora abra todas las llaves del agua caliente y deje correr el agua durante varios minutos. Esto dejará salir el gas de hidrógeno acumulado. El gas de hidrógeno es inflamable; no fume ni use llamas expuestas en este momento.


 **ADVERTENCIA** No almacene ni use gasolina u otros vapores o líquidos inflamables cerca de este o cualquier otro electrodoméstico.

 El incumplimiento de estas advertencias puede traer como consecuencia un incendio, una explosión, lesiones corporales graves y/o daños a las piezas de caucho o de plástico de la lavadora.

### Proteja a los niños

 **ADVERTENCIA** No permita que los niños jueguen encima de o con la lavadora. Debe vigilar de cerca a los niños cuando la lavadora esté siendo usada en presencia de niños. Cuando estos crezcan, enséñeles el uso correcto y seguro de todos los electrodomésticos.

 **ADVERTENCIA** Deseche la caja de cartón, la bolsa de plástico y los demás materiales de envío una vez que haya desembalado la lavadora. Los niños podrían usarlos para jugar. Las cajas de cartón tapadas con alfombras, colchas u hojas de plástico pueden convertirse en cámaras herméticas.

 **ADVERTENCIA** Mantenga todos los productos de lavado fuera del alcance de los niños. Para evitar las lesiones personales, siga todas las advertencias de las etiquetas de los productos.

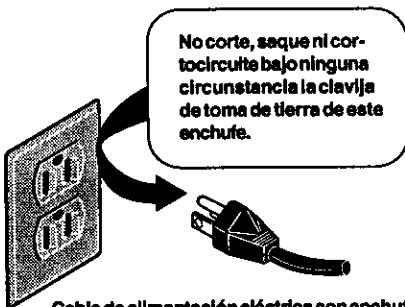
 **ADVERTENCIA** Antes de retirar la lavadora de servicio o desecharla, saque la puerta de la lavadora para evitar que alguien quede atrapado.

 El incumplimiento de estas advertencias puede causar lesiones personales graves.

# Instrucciones importantes para la seguridad (continuación)

**⚠ ADVERTENCIA** Evite los riesgos de incendio o las descargas eléctricas. No use un adaptador o un cable de extensión ni saque la clavija de toma de tierra del cable eléctrico. El no seguir esta advertencia puede causar lesiones graves, incendio o la muerte.

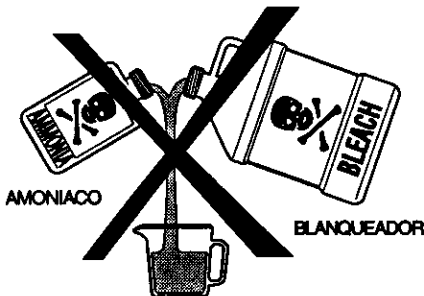
Receptáculo mural con toma de tierra



Cable de alimentación eléctrica con enchufe de toma de tierra con 3 clavijas

**MANERA CORRECTA**  
Use así **SOLAMENTE**

**⚠ ADVERTENCIA** No use ni mezcle lejía líquida con ningún producto químico doméstico como limpiadores para el inodoro, eliminadores de óxido, ácidos o productos que contengan amoníaco. Estas mezclas pueden producir humos peligrosos que pueden causar lesiones graves o la muerte.



**Nota:** Las instrucciones que aparecen en este Manual del Usuario no pretenden cubrir todas las condiciones y situaciones posibles que pueden ocurrir. Debe tenerse sentido común y cuidado al instalar, operar y mantener cualquier electrodoméstico.

## Evite lesiones

**⚠ ADVERTENCIA** Para evitar el riesgo de descargas eléctricas y garantizar la estabilidad durante el funcionamiento, la lavadora debe ser instalada y conectada a una toma de tierra por un técnico de servicio capacitado de conformidad con los códigos eléctricos locales. Las instrucciones de instalación vienen empaquetadas en la lavadora para servir como referencia al instalador. Vea las INSTRUCCIONES PARA LA INSTALACION para los procedimientos detallados sobre la conexión a la toma de tierra. Si se mueve la lavadora a otra ubicación, haga que un técnico de servicio capacitado examine y vuelva a instalar la lavadora.

**⚠ ADVERTENCIA** Para evitar lesiones personales o daños a la lavadora, el cable eléctrico de la lavadora debe estar enchufado en un tomacorrientes de 3 clavijas, polarizado y con toma de tierra adecuada. **No debe sacarse nunca la clavija de tierra. No conecte nunca la toma de tierra a una tubería de gas. No use un cable de extensión ni un adaptador.**

**⚠ ADVERTENCIA** Siga las instrucciones del envase al usar los productos de lavado. El uso incorrecto puede producir gases venenosos— causando lesiones graves o la muerte.

- No mezcle productos de lavado para usarlos en 1 carga a menos que lo especifique la etiqueta.
- No mezcle lejía con amoníaco ni ácidos como el vinagre.

**⚠ ADVERTENCIA** Para evitar lesiones personales graves y daños a la lavadora:

- **Todas las reparaciones y el servicio deben ser llevados a cabo por un técnico autorizado a menos que se recomiende lo contrario en este Manual del Usuario.** Use solamente piezas de repuesto autorizadas por la fábrica.
- No modifique los controles.
- No instale ni guarde la lavadora en un lugar a la intemperie.
- No instale la lavadora sobre una alfombra. Instale la lavadora sobre un suelo solido. Puede ser necesario reforzar el suelo para impedir vibraciones y el desplazamiento de la lavadora.

**⚠ ADVERTENCIA** Para evitar el riesgo de descargas eléctricas, desconecte este aparato del tomacorrientes antes de tratar de hacer cualquier mantenimiento por parte del usuario. Mover los controles a la posición de "OFF" (apagado) no desconectará el aparato de la red eléctrica.

**⚠ ADVERTENCIA** Para evitar lesiones, no meta la mano en la lavadora mientras haya partes en movimiento. Antes de vaciar, llenar o añadir prendas, empuje la perilla de control y deje que el tambor se detenga completamente antes de meter la mano.

**⚠** El incumplimiento de estas advertencias puede causar lesiones personales graves.

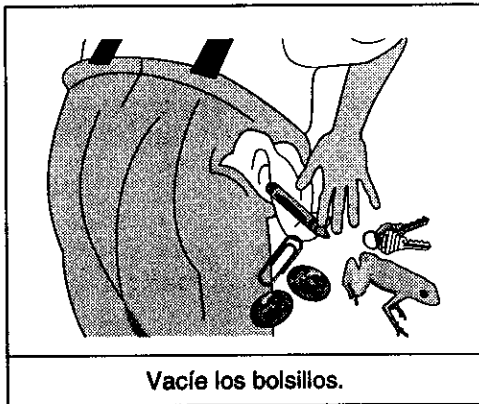
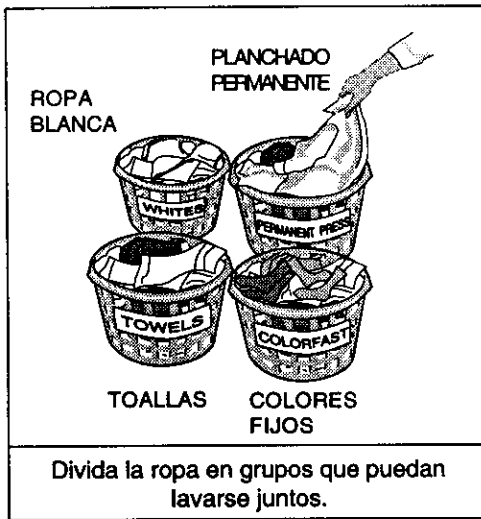
**⚠** Esta lavadora está equipada con un protector contra sobrecargas eléctricas. El motor se detendrá si se calienta demasiado. La lavadora comenzará a funcionar de nuevo automáticamente después del período de enfriamiento de hasta 30 minutos, si ésta no ha sido apagada durante este tiempo.

## GUARDE ESTAS INSTRUCCIONES



En calidad de socio de ENERGY STAR® Frigidaire ha determinado que estos productos son en conformidad con los directivos de ENERGY STAR® relativo a la eficiencia energética.

# Procedimientos para el lavado



- Siga los pasos que se indican a continuación para preparar la carga de ropa.
- Lea la tarjeta de **Instrucciones para el Funcionamiento** para utilizar su modelo específico.
- **Lea y siga siempre las etiquetas para el cuidado y lavado de sus prendas.**

**⚠ ADVERTENCIA** Para reducir el riesgo de incendio, descargas eléctricas o lesiones personales, lea las **Instrucciones Importantes para la Seguridad** en las páginas 3 y 4 antes de poner la lavadora en marcha.

## 1. Divida la ropa en grupos que puedan lavarse juntos.

Divida las prendas según la temperatura recomendada del agua y el tiempo de lavado.

- Separe las prendas blancas, claras y de colores fijos de las prendas oscuras y que se destiñen.
- Separe las prendas que sueltan pelusa de las que atraen pelusa. Las prendas con planchado permanente, sintéticas, de punto y de pana atraerán la pelusa de las toallas, alfombras y colchas de felpilla.
- Separe las prendas muy sucias de las que están ligeramente sucias.
- Separe las prendas de encaje, transparentes y de punto suelto de las prendas más sólidas.
- No limpie los artículos que contienen fibra de vidrio en la lavadora. Las partículas de vidrio que queden en el interior de la cuba pueden adherirse a los tejidos de otros lavados y causar erupciones cutáneas.

## 2. Prepare las prendas para el lavado.

- Vacíe los bolsillos.
- Cepille las pelusas y la suciedad. Sacuda las alfombras y las toallas de playa.
- Cierre las cremalleras, los ganchos, anude los lazos y las cintas y desprenda las decoraciones y adornos no lavables.
- Saque los broches, botones decorativos, hebillas de cinturones y otros objetos que pueden verse dañados. Esto ayuda también a proteger las demás prendas.
- Zurza los desgarrones y rotos para evitar que empeoren durante el lavado.
- Coloque las prendas delicadas como sostenes, hombreras, medias y cinturones en un saco de malla para evitar que se enreden durante el ciclo de lavado.
- Coloque las prendas de punto al revés para evitar que hagan bolitas.

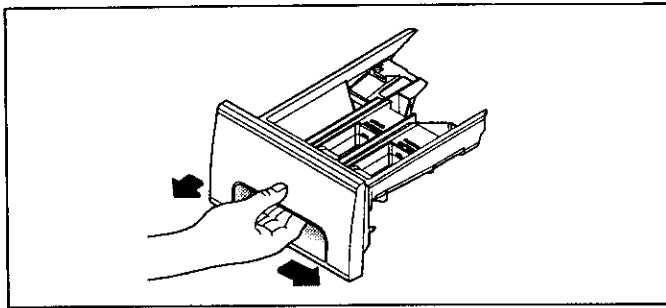
## 3. Haga un tratamiento previo de las manchas y la suciedad difícil.

Vea **Eliminación de las Manchas**, en las páginas 7 y 8 para los detalles.

## 4. Ponga la carga de ropa en la lavadora.

- Combine prendas grandes y pequeñas en una misma carga. Ponga las prendas grandes primero. Las prendas grandes no deben ser más de la mitad de la carga total.
- El lavado de una sola ropa, por ejemplo un suéter, una toalla, o unos tejanos puede causar un desequilibrio de la brazada de lavado. Añada 1 o 2 otras ropas del mismo tipo para equilibrar la carga.
- Artículos pesados individuales tales como una cubrecama pueden ser lavados en forma separada.
- La lavadora puede estar completamente cargada, pero los artículos no deben estar demasiado empaquetados. La puerta debe poder cerrarse fácilmente.

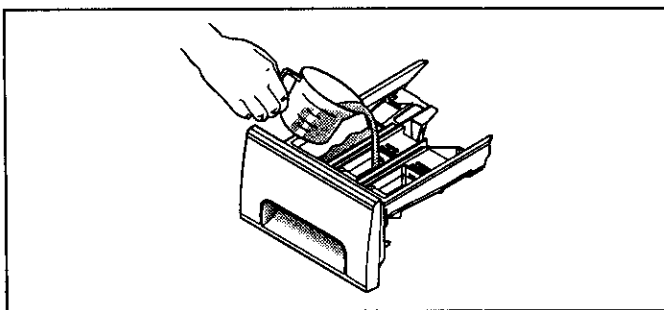
## 5. Añada el detergente, el blanqueador y el suavizante en el dispensador automático siguiendo estos pasos:




### A. PARA ABRIR Y CERRAR EL CAJÓN DISPENSADOR

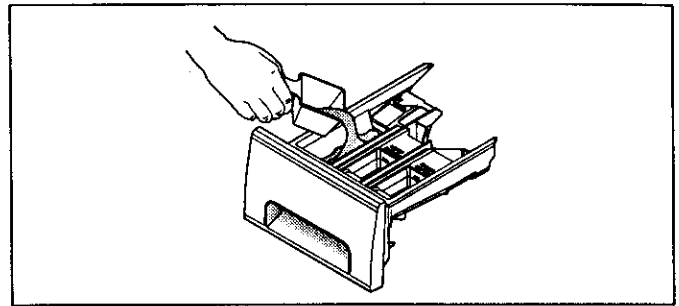
- Abra despacio el cajón dispensador moviendo primero el cierre de seguridad hacia la derecha y luego jalando el cajón hasta que se detenga.
- Después de añadir los productos para el lavado, cierre despacio el cajón dispensador. Si lo cierra con demasiada rapidez pueden derramarse el blanqueador y el suavizante.
- Los productos de lavado de colada, como los detergentes líquidos o en polvo, los elementos blanqueadores sin peligro para los colores, los descalcificadores de agua, y los productos que contienen enzima deben de estar en el tubo antes de añadir la ropa para limpiar.

**Nota:** de vez en cuando puede ser que vea agua en los compartimientos para el blanqueador y el suavizante. Esto es debido a la acción de sifonaje y es parte del funcionamiento normal de la lavadora.



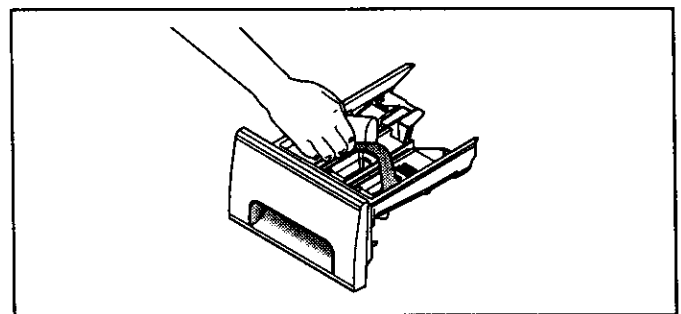
### C. BLANQUEADOR LÍQUIDO

- Si lo desea, mida la cantidad recomendada de blanqueador líquido (que no sea más de 1/3 taza [80 mL]) y viértala en el compartimiento central que lleva "Liquid Bleach" escrito y este símbolo .
- No sobrepase la línea máxima de llenado. Si se llena demasiado, el blanqueador puede ser distribuido antes de tiempo, lo que puede dañar la ropa.
- No añada jamás elementos blanqueadores líquidos directamente sobre la carga de lavado o en el tubo. Se puede ocurrir daños a los tejidos.
- **No usar blanqueador en polvo en el distribuidor.**




### B. DETERGENTE

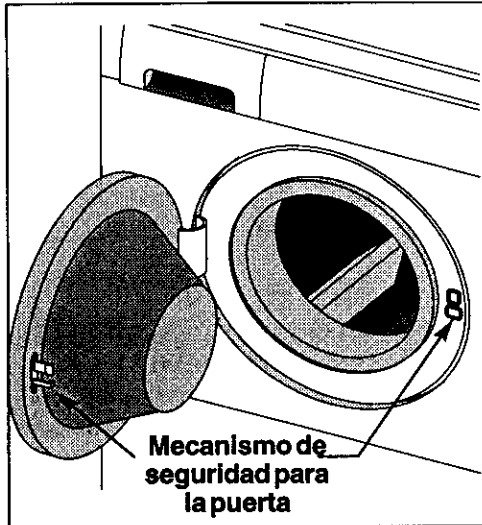
- Añada la cantidad medida de detergente al compartimiento para detergente del cajón dispensador.
- El detergente cae desde el dispensador al comienzo del ciclo. Puede usarse tanto detergente en polvo o líquido.  
**Nota:** el detergente líquido irá cayendo en el tambor de la lavadora a medida que se coloca en el dispensador.
- Se recomienda el uso de un detergente de poca espuma para esta lavadora. Use la cantidad recomendada por el fabricante.
- Utilice un detergente que no hace muchas jabonaduras, o reduzca la cantidad de detergente regular. Reducir la cantidad regular de detergente puede disminuir la limpieza. Consecuentemente es importante de tratar previamente las manchas, seleccionar atentamente según los colores y las condiciones de suciedad, y evitar de cargar demasiado.
- Puede ser que tenga que ajustar la cantidad de detergente según la temperatura del agua, la dureza del agua, el tamaño y el nivel de suciedad de la carga.
- Para obtener los mejores resultados, evite que haya demasiada espuma.



### D. SUAVIZANTE

- Si lo desea, vierta la cantidad recomendada de suavizante en el compartimiento que lleva "Fabric Softener" escrito y este símbolo .
- Diluya los suavizadores de tejidos concentrados en el agua tibia hasta que el agua llegue a la línea de relleno.
- No sobrepase la línea máxima de llenado. Si se llena demasiado, el suavizante puede ser distribuido antes de tiempo, lo que puede manchar la ropa.
- **No vierta el suavizante directamente sobre la carga de ropa.**
- No se recomienda el uso de un suavizador de tejido sólido en una lavadora con tamboreación.

## Procedimientos para el lavado (continuación)



No guarde ni coloque los productos de lavado encima de la lavadora en ningún momento. Pueden dañar el acabado o los controles.

### 6. Coloque la perilla del programador y los controles de la lavadora según el tipo, tamaño y nivel de suciedad de cada carga de ropa.

(Vea la tarjeta de Instrucciones para el Funcionamiento para los controles específicos de su modelo).

### 7. Ponga la lavadora en marcha.

Cierre la puerta de la lavadora y jale la perilla del programador. Para su seguridad, la puerta se trabará automáticamente durante todo el ciclo de lavado. El indicador de cierre de puerta quedará encendida hasta que el ciclo de hilado haya sido terminado.

- La lavadora se llenará y el tambor girará.
- Para detener la lavadora, empuje la perilla del programador.
- Para abrir la puerta durante la acción giratoria del tambor, empuje la perilla del programador. Espere a que el agua de la puerta se escurra.
- Para cambiar un ciclo, empuje la perilla del programador y gírela en el **sentido de las agujas del reloj** hasta el ciclo deseado. Jale la perilla para poner la lavadora en marcha.
- Para abrir la puerta durante el ciclo de hilado, apriete sobre el botón de control de ciclo. El indicador de cierre se apagará. Esa situación puede durar 1-2 minutos. Después, usted podrá abrir la puerta. No trate de abrir la puerta con fuerza.

### 8. Saque las prendas cuando el ciclo haya terminado.

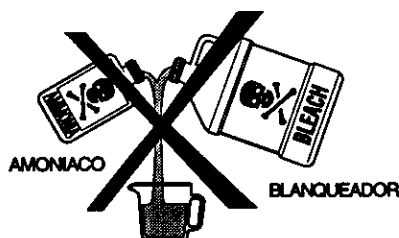
Coloque las prendas lavadas en una secadora automática, séquelas al aire o planas según lo que indique la etiqueta de la prenda. Si se dejan prendas en la lavadora una vez que haya terminado el ciclo, pueden ocurrir demasiadas arrugas, desteñimiento o malos olores.

### 9. Precauciones generales

- Si el cajón dispensador es jalado más de 1-1/2 pulgadas (3,81 cm) cuando la lavadora está funcionando, la lavadora se apagará. La luz del mecanismo de cierre de la puerta se apagará y la puerta no estará trabada. Cierre la puerta despacio, y la lavadora volverá a ponerse en funcionamiento automáticamente.
- No cierre la puerta de la lavadora de golpe ni trate de forzar la apertura cuando esté trabada (luz del mecanismo de seguridad ENCENDIDA). Esto podría causar daños a la lavadora.
- **NO deje la puerta de la lavadora abierta.** Esto podría instigar a los niños a colgarse de la puerta o a introducirse en la lavadora.
- Para evitar dañar la lavadora y causar lesiones personales, **NO se cuelgue de o se apoye sobre la puerta de la lavadora.**
- No coloque el detergente, el blanqueador o el suavizante encima de la lavadora.

## Remover las manchas

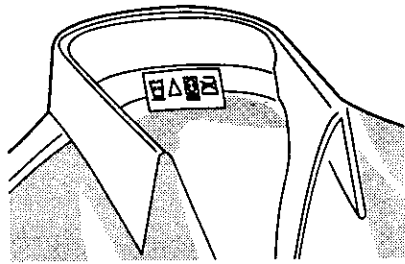
**⚠ ADVERTENCIA** No use ni mezcle lejía líquida con ningún producto químico doméstico como limpiadores para el inodoro, eliminadores de óxido, ácidos o productos que contengan amoníaco. Estas mezclas pueden producir humos peligrosos que pueden causar lesiones graves o la muerte.



## Procedimientos seguros para la eliminación de manchas

**⚠ ADVERTENCIA** Para reducir el riesgo de incendio o lesiones graves a personas y propiedades, siga las advertencias siguientes:

- Lea y siga todas las instrucciones de los productos para la eliminación de manchas.
- Guarde los productos para la eliminación de manchas en sus envases originales etiquetados y fuera del alcance de los niños.
- Lave a fondo cualquier utensilio utilizado.
- No mezcle los productos para la eliminación de manchas, especialmente el amoníaco y la lejía. Pueden desprenderse vapores peligrosos.
- No lave ninguna prenda que haya sido limpiada, remojada o manchada previamente con gasolina, solventes de limpieza en seco u otras sustancias inflamables o explosivas porque dichas sustancias emiten vapores que pueden encenderse o explotar.
- No use nunca solventes altamente inflamables, como gasolina, dentro de la casa. Los vapores pueden explotar si entran en contacto con llamas o chispas.



Siga las instrucciones de la etiqueta de la prenda.

**Para eliminar bien las manchas:**

- Elimine las manchas lo antes posible.
- Determine el tipo de mancha y siga el tratamiento recomendado en la tabla siguiente.
- Para el tratamiento preliminar de las manchas, use un producto para antes del lavado, detergente líquido o una pasta hecha con detergente granulado y agua.
- Use agua fría para las manchas desconocidas porque el agua caliente puede fijar las manchas.
- Lea la etiqueta de la prenda para conocer los tratamientos que hay que evitar en ciertos tejidos.
- Pruebe la resistencia del color poniendo un poco de quitamanchas sobre una costura interior.
- Enjuague y lave las prendas después de haber eliminado las manchas.

## Remover las manchas

MANCHA	TRATAMIENTO
Cinta adhesiva, goma de mascar, pegamento de contacto	Aplique hielo. Raspe el exceso. Coloque la mancha boca abajo sobre hojas de toallas de papel. Sature con quitamanchas para antes del lavado o un líquido no inflamable para limpieza en seco.
Fórmula para bebés, productos lácteos, huevo	Use un producto que contenga enzimas para el tratamiento preliminar o para remojar las manchas. Remoje durante 30 minutos o más. Lave.
Bebidas (café, té, refrescos, jugos, bebidas alcohólicas)	Haga un tratamiento preliminar de la mancha. Lave la prenda con agua fría y un blanqueador que no dañe el tejido.
Sangre	Enjuague con agua fría. Frote con una pastilla de jabón. O bien, use un producto que contenga enzimas para el tratamiento preliminar o para remojar. Lave usando un blanqueador que no dañe el tejido.
Cera de velas, carboncillo	Raspe la superficie de la cera. Coloque la mancha boca abajo entre hojas de toallas de papel. Plancha con una plancha caliente hasta que se absorba la cera. Cambie las hojas de papel con frecuencia. Trate la mancha restante con un quitamanchas para antes del lavado o un líquido no inflamable para limpieza en seco. Lave a mano para eliminar el solvente. Lave usando un blanqueador que no dañe el tejido.
Chocolate	Haga un tratamiento preliminar o remoje en agua caliente usando un producto que contenga enzimas. Lave usando un blanqueador que no dañe el tejido.
Suciedad en cuellos y puños, cosméticos	Haga un tratamiento previo con un quitamanchas para antes del lavado o frote con una pastilla de jabón.
Transferencia de color en telas blancas	Use un eliminador de color. Lave usando un blanqueador que no dañe el tejido.
Césped	Haga un tratamiento preliminar o remoje en agua caliente usando un producto que contenga enzimas. Lave usando un blanqueador que no dañe el tejido.
Grasas, aceite, alquitrán (mantequilla, grasas, aderezo para ensaladas, aceites para cocinar, grasas de automóviles, aceites para motor)	Raspe el residuo del tejido. Haga un tratamiento preliminar. Lave con el agua más caliente que pueda usar con ese tejido. Para las manchas difíciles y alquitrán, aplique un líquido no inflamable para limpieza en seco en el reverso de la mancha. Cambie las hojas de toallas de papel debajo de la mancha con frecuencia. Enjuague a fondo. Lave usando el agua más caliente que pueda usar con ese tejido.
Tinta	Algunas tintas pueden ser imposibles de eliminar. El lavado puede asentar algunas tintas. Use un quitamanchas para antes del lavado, alcohol desnaturalizado o un líquido no inflamable para limpieza en seco.
Moho, quemaduras	Lave con lejía si el tejido lo permite. O bien, remoje en blanqueador de oxígeno y agua caliente antes del lavado. Los tejidos muy mohosos pueden estar dañados permanentemente.
Lodo	Cepille el lodo seco. Use un producto que contenga enzimas para el tratamiento preliminar o para remojar.
Mostaza, tomate	Haga un tratamiento previo con un quitamanchas. Lave usando un blanqueador que no dañe el tejido.
Esmalte de uñas	Puede ser imposible de eliminar. Coloque la mancha boca abajo sobre hojas de toallas de papel. Ponga quitaesmalte en el reverso de la mancha. Repita, cambiando las hojas de papel con frecuencia. No use el quitaesmalte sobre tejidos de acetato.
Pintura, barniz	A BASE DE AGUA: enjuague el tejido en agua fría cuando la mancha está todavía húmeda. Lave. Una vez que se haya secado la pintura ya no puede quitarse. A BASE DE ACEITE Y BARNICES: use el solvente recomendado en la etiqueta del envase. Enjuague a fondo antes de lavar.
Sudor	Use un quitamanchas para antes del lavado o frote con una pastilla de jabón. Lave con un blanqueador en el agua más caliente que permita el tejido.
Oxido, decoloración marrón o amarilla	Para las manchas, use un eliminador de óxido que no dañe el tejido. Para la decoloración de toda una carga de ropa, use detergente con fosfatos y blanqueador. No use lejía porque puede empeorar la decoloración.
Cera para calzado	LIQUIDA: haga un tratamiento preliminar con una pasta de detergente granulado y agua. PASTA: raspe el residuo del tejido. Trate con un quitamanchas para antes del lavado o un líquido no inflamable para limpieza en seco. Enjuague. Frote el área humedecida con el detergente. Lave usando un blanqueador que no dañe el tejido.
Orina, vómito, moco, heces	Use un producto que contenga enzimas para el tratamiento preliminar o para remojar. Lave usando un blanqueador que no dañe el tejido.

# Problemas de lavado comunes

Muchos problemas del lavado tienen que ver con la eliminación incorrecta de la suciedad y las manchas, residuos de pelusas y desperdicios y tejidos dañados. Para obtener buenos resultados de lavado, siga estas sugerencias de la Soap and Detergent Association (Asociación de Fabricantes de Jabones y Detergentes).

PROBLEMA	CAUSAS POSIBLES	SOLUCIONES	MEDIDAS PREVENTIVAS
<b>Manchas azules</b>	<ul style="list-style-type: none"> <li>• Detergente líquido o suavizante no diluidos vertidos directamente sobre el tejido.</li> </ul>	<ul style="list-style-type: none"> <li>• Si han sido causadas por el detergente, mezcle 1 taza (240 mL) de vinagre blanco con 1 cuarto de galón (0,95 L) de agua en un recipiente de plástico. Remoje durante 1 hora. Enjuague.</li> <li>• Si han sido causadas por el suavizante, frote las manchas con una pastilla de jabón. Lave.</li> </ul>	<ul style="list-style-type: none"> <li>• Evite llenar demasiado los compartimientos para el detergente y el suavizante.</li> </ul>
<b>Decoloración, color grisáceo</b>	<ul style="list-style-type: none"> <li>• No hay suficiente detergente.</li> <li>• La temperatura del agua de lavado es demasiado fría.</li> <li>• División incorrecta de la ropa.</li> </ul>	<ul style="list-style-type: none"> <li>• Lave de nuevo con la cantidad correcta de detergente y el agua más caliente que permita el tejido. Añada un blanqueador que no dañe el tejido.</li> </ul>	<ul style="list-style-type: none"> <li>• Divida las prendas según el nivel de suciedad y el color.</li> <li>• Use la cantidad correcta de detergente, el agua más caliente y un blanqueador que no dañe el tejido.</li> </ul>
<b>Manchas grasosas y aceitosas</b>	<ul style="list-style-type: none"> <li>• No hay suficiente detergente.</li> <li>• Suavizante líquido no diluido vertido directamente sobre el tejido.</li> </ul>	<ul style="list-style-type: none"> <li>• Trate con un quitamanchas para antes del lavado o un detergente líquido.</li> <li>• Aumente la cantidad de detergente y la temperatura del agua. Lave de nuevo.</li> <li>• Frote las manchas de suavizante con una pastilla de jabón.</li> </ul>	<ul style="list-style-type: none"> <li>• Use la cantidad correcta de detergente y el agua más caliente que permita el tejido.</li> <li>• No vierta el suavizante líquido directamente sobre el tejido. Vea los Procedimientos para el lavado para saber cómo añadir el suavizante.</li> </ul>
<b>Agujeros, desgarrones o enganches</b>	<ul style="list-style-type: none"> <li>• Uso incorrecto de lejía.</li> <li>• Cremalleras, ganchos, hebillas abiertas.</li> <li>• Desgarrones, rotos e hilos rotos.</li> <li>• Lavadora sobrecargada.</li> <li>• Degradación del tejido.</li> </ul>	<ul style="list-style-type: none"> <li>• Pueden ser irreversibles si los desgarrones, los rotos y las costuras no pueden ser zurdidos.</li> </ul>	<ul style="list-style-type: none"> <li>• No vierta nunca lejía directamente sobre el tejido.</li> <li>• Examine las prendas antes de lavarlas. Vea los Procedimientos para el lavado para preparar y colocar la carga de ropa y añadir lejía.</li> </ul>
<b>Pelusa</b>	<ul style="list-style-type: none"> <li>• División incorrecta de la ropa.</li> <li>• Pañuelos de papel en el bolsillo.</li> <li>• Lavadora sobrecargada.</li> <li>• No hay suficiente detergente.</li> <li>• El detergente no disuelto ha dejado un residuo que parece pelusa.</li> <li>• La electricidad estática atrae las pelusas.</li> <li>• Tiempo de lavado demasiado largo.</li> </ul>	<ul style="list-style-type: none"> <li>• Reduzca el tamaño de la carga. Lave de nuevo usando la temperatura correcta para el agua, el nivel correcto de agua y la cantidad correcta de detergente.</li> <li>• Añada un acondicionador de agua que no produzca precipitado en el agua de lavado para eliminar el residuo de detergente.</li> <li>• Añada suavizante líquido en el enjuague final.</li> <li>• Seque la ropa en la secadora.</li> <li>• Elimine las pelusas con un cepillo o un rodillo.</li> </ul>	<ul style="list-style-type: none"> <li>• Vea los Procedimientos para el lavado para saber cómo dividir y preparar la carga de ropa.</li> <li>• No sobrecargue la lavadora.</li> <li>• Use la temperatura correcta del agua, la cantidad correcta de detergente, de nivel de agua y de tiempo de lavado.</li> </ul>
<b>Bolitas</b> (Las fibras se deshacen, forman bolitas y se pegan al tejido.)	<ul style="list-style-type: none"> <li>• Las bolitas son normales con los tejidos sintéticos y de planchado permanente. Esto se debe a la abrasión por el uso normal.</li> </ul>	<ul style="list-style-type: none"> <li>• Use un cepillo para pelusas o un aparato para cortar la bolitas.</li> </ul>	<ul style="list-style-type: none"> <li>• Use un suavizante en la lavadora para lubricar las fibras.</li> <li>• Cuando planche, use almidón, un apresto en rociador o un acabador del tejido sobre los cuellos y los puños.</li> <li>• Lave las prendas al revés para reducir la abrasión.</li> </ul>
<b>Residuos o polvo sobre las prendas oscuras; Telas rígidas, ásperas</b>	<ul style="list-style-type: none"> <li>• Detergente no disuelto.</li> <li>• Algunos detergentes granulados no fosfatados se combinan con los minerales de las aguas duras y forman un residuo.</li> <li>• Lavadora sobrecargada.</li> </ul>	<ul style="list-style-type: none"> <li>• Lave la ropa de nuevo.</li> </ul>	<ul style="list-style-type: none"> <li>• Aumente la temperatura del agua usando la más caliente que permita el tejido.</li> <li>• No sobrecargue la lavadora.</li> <li>• Use detergente líquido o un ablandador de agua que no produzca precipitado, con un detergente granulado no fosfatado.</li> </ul>
<b>Arrugas</b>	<ul style="list-style-type: none"> <li>• Lavadora sobrecargada.</li> <li>• Ciclo incorrecto de lavado para la carga de ropa.</li> </ul>	<ul style="list-style-type: none"> <li>• Reduzca el tamaño de la carga.</li> <li>• Enjuague en agua fría con suavizante líquido usando el ciclo de "Perm Press" o "Delicate".</li> </ul>	<ul style="list-style-type: none"> <li>• No sobrecargue la lavadora.</li> <li>• Saque las prendas de la lavadora tan pronto como se complete el ciclo.</li> <li>• Use un suavizante líquido.</li> </ul>
<b>Acumulación amarillenta de suciedad corporal en tejidos sintéticos</b>	<ul style="list-style-type: none"> <li>• Tiempo de lavado demasiado corto.</li> <li>• La temperatura del agua de lavado es demasiado fría.</li> <li>• No hay suficiente detergente.</li> </ul>	<ul style="list-style-type: none"> <li>• Ponga en remojo en un activador de detergente o un producto que contenga enzimas.</li> <li>• Lave en agua caliente (49°C/120°F) usando el ciclo completo de "permanent press". Aumente la cantidad de detergente. Añada un blanqueador que no dañe el tejido.</li> <li>• O bien, trate con un eliminador de color.</li> </ul>	<ul style="list-style-type: none"> <li>• Seleccione el ciclo de lavado correcto.</li> <li>• Use la cantidad correcta de detergente.</li> <li>• Lave los tejidos sintéticos con frecuencia usando agua caliente o tibia.</li> </ul>
<b>Manchas de óxido amarillentas o marrones</b>	<ul style="list-style-type: none"> <li>• Hierro o manganeso en el agua, en las tuberías de agua o en el calentador de agua.</li> </ul>	<ul style="list-style-type: none"> <li>• Para devolver el color blanco a una carga de ropa blanca, use un eliminador de óxido que pueda usarse sobre el tejido.</li> <li>• No use lejía para eliminar manchas de óxido. Esta puede aumentar la decoloración.</li> </ul>	<ul style="list-style-type: none"> <li>• Use un acondicionador de agua que no produzca precipitado.</li> <li>• Antes del lavado, deje correr el agua caliente durante unos minutos para limpiar las líneas de agua.</li> <li>• Vacíe el calentador de agua de vez en cuando.</li> <li>• Para un problema constante, instale un filtro para hierro en su sistema de abastecimiento de agua.</li> </ul>

## Cuidado y limpieza

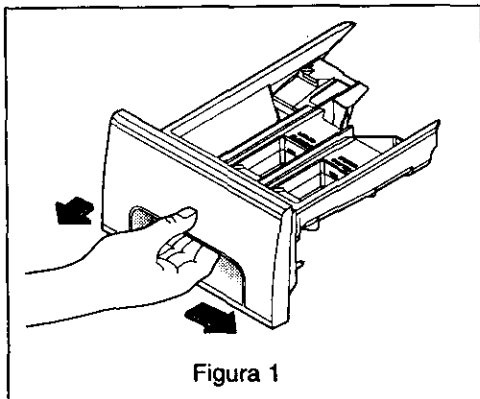


Figura 1

(La pestaña de trabado es visible solamente una vez que se abre el cajón.)

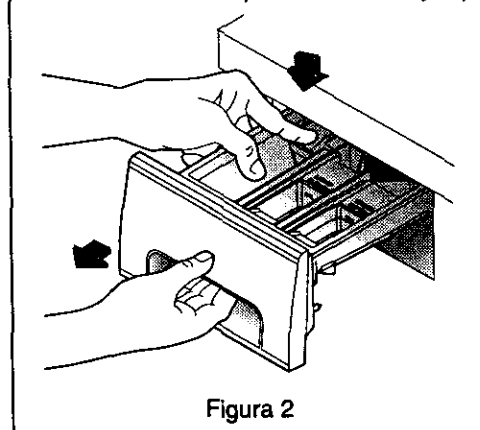


Figura 2

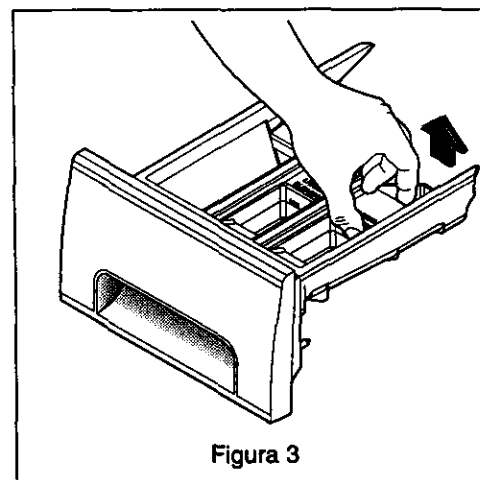


Figura 3

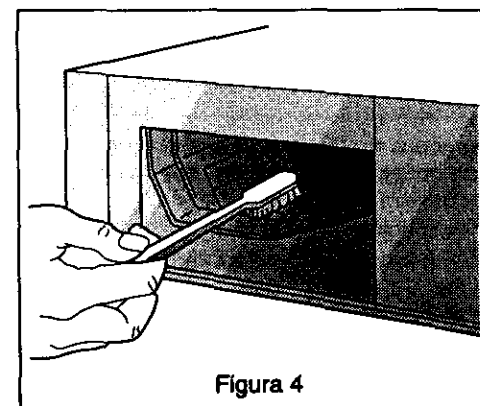


Figura 4

### Exterior

- Cuando se termine el ciclo de lavado, limpie la parte superior y los costados de la lavadora con un paño húmedo. Cierre las llaves del agua para evitar que se acumule la presión en los tubos.
- Cuando sea necesario, limpie el exterior con un jabón suave y agua. **No use nunca limpiadores ásperos, granulados o abrasivos.** Si la puerta o la consola se manchan, limpie con lejía diluida [1/2 taza (120 mL) en 1 cuarto de galón (0,95 L) de agua]. Enjuague varias veces con agua limpia.
- Elimine el residuo de pegamento de la cinta o las etiquetas con una mezcla de agua caliente y detergente suave. O bien, toque el residuo con el lado pegajoso de la cinta o la etiqueta.
- **Antes de mover la lavadora,** coloque una tira de cartón o lámina delgada de fibra debajo de las patas delanteras niveladoras para evitar dañar el piso.

### Limpieza del cajón dispensador

El detergente y el suavizante pueden acumularse en el cajón dispensador. Los residuos deberán eliminarse una o dos veces al mes.

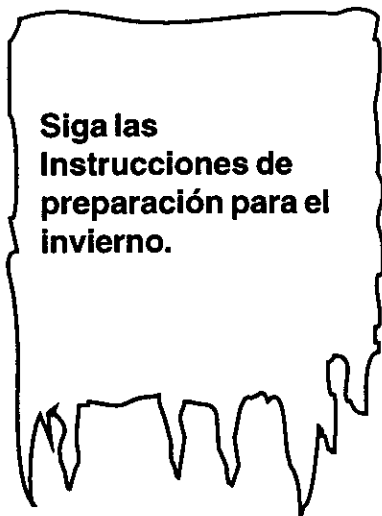
- Saque el cajón moviendo el cierre de seguridad hacia la derecha y jalando luego el cajón para sacarlo hasta que se detenga. (Figura 1)
- Empuje con fuerza la pestaña de trabado que se encuentra en la esquina trasera izquierda del cajón. Saque el cajón. (Figura 2)
- Saque las inserciones de los compartimentos para blanqueador y suavizante. (Figura 3)
- Aclare con regularidad el interior de la lavadora y los dispensadores con agua caliente para retirar cualquier residuo de producto líquido o en polvo. Una grande cantidad de residuos de suavizadores de tejidos puede indicar una dilución incorrecta, o que es necesario limpiar más frecuente la lavadora.
- Para limpiar la abertura del cajón, use un cepillo pequeño para limpiar la cavidad. Elimine todos los residuos de las partes superior e inferior de la cavidad. (Figura 4)
- Vuelva a colocar las inserciones para blanqueador y suavizante en sus compartimientos correspondientes. Vuelva a colocar el cajón y ponga en funcionamiento el ciclo de Prelavado sin ninguna carga de ropa en el tambor.

### Interior

- Saque las prendas de la lavadora tan pronto como termine el ciclo. Si se dejan prendas en la lavadora, pueden ocurrir demasiadas arrugas, desteñimiento o malos olores.
- Antes de limpiar el interior de la lavadora, **desconecte el cable eléctrico** para evitar riesgos de descargas eléctricas.
- Seque alrededor de la abertura de la puerta, la junta flexible y el vidrio de la puerta. Estas áreas deben estar siempre limpias para garantizar un sellado hermético.
- Cuando se han lavado prendas muy sucias, puede quedar un residuo de suciedad en el tambor. Elimínelo limpiando el tambor con un limpiahogar no abrasivo. Enjuague a fondo con agua.
- Las paletas de plástico del tambor pueden mancharse debido a los tintes. Limpie estas partes con un limpiahogar no abrasivo. Esto evita la transferencia de colores a otras ropas.

## Cuidado y limpieza

(continuación)



### Instrucciones de preparación para el invierno

Si la lavadora es almacenada en un área que puede congelarse o si es desplazada durante temperaturas bajo cero, siga estas instrucciones de preparación para el invierno para evitar dañarla.

1. Cierre las llaves del agua.
2. Desconecte los tubos de la llave del agua y vacíe el agua de los tubos.
3. Enchufe el cable en un tomacorrientes con toma de tierra.
4. Vierta 1 galón (3,8 L) de anticongelante no tóxico para vehículos recreativos en el tambor vacío. Cierre la puerta.
5. Ponga la perilla del programador en un programa de centrifugado. Jale la perilla y deje que la lavadora centrifugue durante 1 minuto para vaciar el agua. No saldrá todo el anticongelante.
6. Empuje la perilla del programador, desenchufe el cable, seque el interior del tambor y cierre la puerta.
7. Saque el cajón dispensador. Vacíe el agua de los compartimientos y séquelos. Vuelva a colocar el cajón.
8. Guarde la lavadora en posición vertical.
9. Para sacar el anticongelante de la lavadora después del almacenado, póngala en funcionamiento, estando vacía, durante un ciclo completo usando detergente. **No añada ropa.**

## Evitar llamadas de servicio

Antes de llamar para obtener servicio, examine esta lista. Puede ahorrarle tiempo y dinero. Esta lista incluye los problemas comunes que no son el resultado de una fabricación o materiales defectuosos de esta lavadora.

### PROBLEMA

### CAUSA POSIBLE/SOLUCION

#### RUIDO

**Claqueteo**

- Sonido normal del contador de tiempo.

**Ruido silbante, como de reactor.**

- Una cierta cantidad de ruido del motor es normal durante el ciclo de centrifugado.

**Ruido de vibración y traqueteo.**

- Puede haber objetos extraños como monedas o imperdibles en el tambor o en la bomba. Detenga la lavadora y examine el tambor. Si el ruido continúa después de volver a poner la lavadora en funcionamiento, los objetos pueden estar en la bomba. Llame al reparador autorizado.
- Las hebillas y los ganchos de metal están golpeando el tambor de lavado. Para evitar los ruidos y daños innecesarios en el tambor, cierre los ganchos y coloque las prendas al revés.

**Chirrido u olor a caucho quemado.**

- La lavadora está sobrecargada. No la sobrecargue. Detenga la lavadora y reduzca la carga de ropa.

**Ruido de golpes.**

- Las cargas pesadas pueden producir un ruido de golpes. Esto suele ser normal. Si el ruido continúa, es probable que la lavadora esté desequilibrada. Detenga la lavadora y vuelva a distribuir la carga de ropa.

**Ruido de vibraciones.**

- La lavadora no está firmemente colocada sobre el piso. Muévela para que descansa firmemente sobre el piso. Ajuste las patas niveladoras. Vea las INSTRUCCIONES PARA LA INSTALACION para los detalles.
- Las tuercas de embalaje y el bloque de espuma no han sido sacados durante la instalación. Vea las INSTRUCCIONES PARA LA INSTALACION para sacar las tuercas de embalaje y el bloque de espuma.
- La carga de ropa está mal distribuida en el tambor. Detenga la lavadora y vuelva a colocar la carga de ropa.

## PROBLEMA FUNCIONAMIENTO

La lavadora no se pone en funcionamiento.

## CAUSA POSIBLE/SOLUCION

- El cable eléctrico puede estar desenchufado o la conexión puede estar floja. Asegúrese de que el enchufe cabe bien en el tomacorrientes de la pared.
- El fusible de la casa se ha fundido, el disyuntor se ha disparado o hay un corte de electricidad. Prenda el disyuntor o cambie el fusible. No aumente la capacidad del fusible. Si el problema es una sobrecarga del circuito, llame a un electricista capacitado. Si el problema es un corte de electricidad, llame a la compañía de electricidad local.
- Las llaves del agua no están abiertas. Abra las llaves del agua.
- El programador no está en la posición correcta. Mueva el indicador un poco hacia la derecha. Jale la perilla.
- El motor está demasiado caliente. El motor de la lavadora se detendrá si se calienta demasiado. La lavadora comenzará a funcionar de nuevo automáticamente después del período de enfriamiento de hasta 30 minutos (si ésta no ha sido apagada manualmente durante este tiempo).
- El cajón dispensador no está completamente cerrado. Cierre el cajón dispensador.

La lavadora no centrifuga.

- La puerta de la lavadora no está completamente cerrada. Cierre la puerta completamente.
- El cajón dispensador no está completamente cerrado. Cierre el cajón dispensador.
- La carga es muy pequeña. Agregue 1 o 2 artículos similares para ayudar a equilibrar la carga de ropa.

Quedan residuos en el tambor.

- Ropa muy sucia. Limpie el tambor con un limpiahogar no abrasivo y enjuáguelo. Sacuda o cepille el exceso de suciedad o arena de la ropa antes de lavarla.

## AGUA

El agua se queda en los compartimientos para el blanqueador y el suavizante.

- Esto es debido a la acción de sifonaje y es parte del funcionamiento normal de la lavadora. El agua puede eliminarse sacando el cajón dispensador (vea la página 9, figuras 1 y 2) y vaciando el agua en el tambor vacío o en el lavadero.

La carga de ropa está demasiado mojada después del centrifugado.

- La lavadora está sobrecargada. No la sobrecargue. Vea los **Procedimientos para el lavado**.
- La carga es muy pequeña. Agregue 1 o 2 artículos similares para ayudar a equilibrar la carga de ropa.
- La carga está desequilibrada. Vuelva a disponer la carga para permitir un centrifugado correcto.
- El tubo de drenaje está retorcido. Enderézelo.

El agua no entra en la lavadora o entra despacio.

- La presión del agua del área no es la adecuada. Pruebe otra llave de la casa. Espere a que la cantidad y la presión del agua aumenten.
- Las llaves del agua no están completamente abiertas. Abra completamente las llaves del agua fría y caliente.
- Alguien está usando agua en la casa. La presión del agua debe ser por lo menos de 260 kPa (30 psi). Evite usar el agua en otra parte de la casa mientras la lavadora se está llenando.
- Los tubos de entrada de agua están retorcidos. Enderézcelos.

El agua tibia o caliente no está lo suficientemente caliente.

- El calentador de agua está en una graduación demasiado baja o está alejado de la lavadora. Mida la temperatura del agua caliente en una llave cercana con un termómetro para dulces o carne. La temperatura del agua deberá ser por lo menos de 70°C (130°F). Ajuste el calentador de agua según sea necesario.
- Alguien está usando agua caliente en la casa. Evite usar agua caliente antes o durante el funcionamiento de la lavadora. Puede ser que no haya una cantidad suficiente de agua caliente para una limpieza correcta. Si el problema continúa, es posible que su sistema de agua caliente no pueda dar agua suficiente para más de 1 uso a la vez.

El agua de la lavadora no se vacía o se vacía despacio.

- El tubo de drenaje está retorcido o atascado. Limpie y enderece el tubo de drenaje.

Fugas de agua.

- La conexión del tubo de llenado está floja en la llave o en la arandela. Examine y apriete las conexiones del tubo. Instale las arandelas herméticas de caucho que se incluyen.
- Las tuberías de drenaje de la casa están atascadas. Desatasque las tuberías de drenaje. Llame al plomero si es necesario.
- Demasiada espuma. Use menos detergente.

Temperaturas de lavado y enjuague incorrectas.

- Los tubos de agua fría y caliente están conectados en las llaves equivocadas. Conecte el tubo de agua caliente a la llave de agua caliente y el tubo de agua fría a la llave de agua fría.

El agua entra en la lavadora pero la cavidad no se llena.

- El depósito regulador del tubo de drenaje está a la altura incorrecta. El depósito regulador debe estar como mínimo a 23,6 pulgadas (60 cm) de altura para evitar el sifonaje. Vea las INSTRUCCIONES PARA LA INSTALACION.

**In U.S.A. or Canada  
for in-home major brand repair service:  
Call 24 hours a day, 7 days a week**

**1-800-4-MY-HOME<sup>SM</sup> (1-800-469-4663)**

**Para pedir servicio de reparación a domicilio - 1-800-676-5811**

**Au Canada pour tout le service ou les pièces - 1-800-469-4663**

**For the repair or replacement parts you need:**

**Call 6 a.m. - 11 p.m. CST, 7 days a week**

**PartsDirect<sup>SM</sup>**

**1-800-366-PART (1-800-366-7278)**

**Para ordenar piezas con entrega a domicilio - 1-800-659-7084**

**For the location of a Sears Service Center in your area:**

**Call 24 hours a day, 7 days a week**

**1-800-488-1222**

**To order or inquire about a Sears Maintenance Agreement:**

**Call 7 a.m. - 5 p.m. CST, Monday - Saturday**

**1-800-827-6655**

