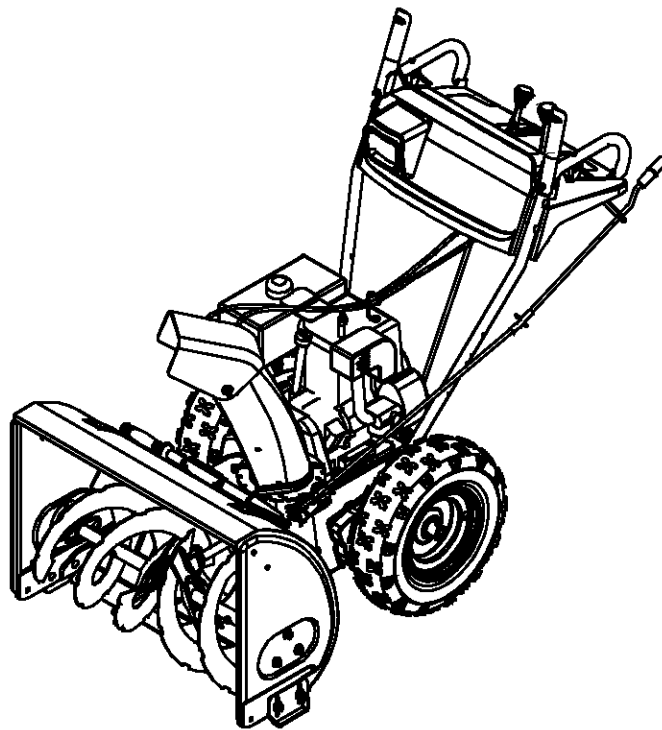


# Owner's Manual



9 Horse Power  
28" Two-Stage Wheel Drive  
**Snow Thrower**

Model No.  
**247.888530**



**CAUTION:** Before using this product, read this manual and follow all safety rules and operating instructions.

- Safety
- Assembly
- Operation
- Service
- Maintenance
- Español

**Sears, Roebuck And Co., Hoffman Estates, IL 60179, U.S.A.**

Visit our website: [www.sears.com/craftsman](http://www.sears.com/craftsman)  
Printed in U.S.A.

FORM NO. 770-10057G  
(8/2002)

# TABLE OF CONTENTS

Content	Page	Content	Page
Warranty Information .....	2	Service & Adjustment.....	20
Safe Operation Practices .....	3	Off-Season Storage .....	25
Assembly .....	6	Trouble-Shooting .....	26
Operation .....	12	Parts List .....	28
Maintenance .....	17	Espanol.....	40

## WARRANTY INFORMATION

### Two -Year Warranty on Craftsman Snow Thrower

For two years from the date of purchase, when this Craftsman Snow Thrower is maintained, lubricated and tuned up according to the instructions in the owner's manual, Sears will repair, free of charge, any defect in material and workmanship.

If this Craftsman snow thrower is used for commercial or rental purposes, this warranty applies for only 30 days from the date of purchase.

**This warranty does not cover:**

Expendable items which become worn during normal use, such as skid shoes, shave plate and spark plugs.

Repairs necessary because of operator abuse or negligence, including bent crankshafts and the failure to maintain the equipment according to the instructions contained in the owner's manual.

WARRANTY SERVICE IS AVAILABLE BY RETURNING THE CRAFTSMAN SNOW THROWER TO THE NEAREST SEARS SERVICE CENTER/DEPARTMENT IN THE UNITED STATES.

**This warranty applies only while this product is in use in the United States.**

This warranty gives you specific legal rights and you may also have other rights which may vary from state to state.

SEARS, ROEBUCK AND CO., D/817WA, HOFFMAN ESTATES, IL 60179

#### PRODUCT SPECIFICATIONS

Horsepower: .....	9
Engine Oil .....	SAE 5W30 oil
Fuel Capacity: .....	1 gallon
Spark Plug: .....	RJ-19LM
Engine:.....	143.039001

#### MODEL NUMBER

Model Number	<b>247.888530</b>
Serial Number.....	.....
Date of Purchase .....	.....

Record both serial number and date of purchase and keep in a safe place for future reference.



# SAFE OPERATION PRACTICES



**WARNING:** This symbol points out important safety instructions which, if not followed, could endanger the personal safety and/or property of yourself and others. Read and follow all instructions in this manual before attempting to operate this machine. Failure to comply with these instructions may result in personal injury. When you see this symbol—**heed its warning.**



**WARNING:** Engine Exhaust, some of its constituents, and certain vehicle components contain or emit chemicals known to State of California to cause cancer and birth defects or other reproductive harm.

**DANGER:** This machine was built to be operated according to the rules for safe operation in this manual. As with any type of power equipment, carelessness or error on the part of the operator can result in serious injury. This machine is capable of amputating hands and feet and throwing objects. Failure to observe the following safety instructions could result in serious injury or death.

## Training

1. Read, understand, and follow all instructions on the machine and in the manual(s) before attempting to assemble and operate. Keep this manual in a safe place for future and regular reference and for ordering replacement parts.
2. Be familiar with all controls and their operation. Know how to stop the machine and disengage controls.
3. Never allow children under 14 years old to operate this machine. Children 14 years old and over should read and understand the operation instructions and safety rules in this manual and should be trained and supervised by a parent.
4. Never allow adults to operate this machine without proper instruction.
5. Thrown objects can cause serious personal injury. Plan your snow-throwing pattern to avoid discharge of material toward roads, bystanders and the like.
6. Keep bystanders, helpers, pets and children at least 75 feet from the machine while it is in operation. Stop machine if anyone enters the area.
7. Exercise caution to avoid slipping or falling, especially when operating in reverse.

## Preparation

1. Thoroughly inspect the area where the equipment is to be used. Remove all doormats, newspapers, sleds, boards, wires and other foreign objects, which could be tripped over or thrown by the auger/impeller.
2. Always wear safety glasses or eye shields during operation and while performing an adjustment or repair to protect your eyes. Thrown objects which ricochet can cause serious injury to the eyes.
3. Do not operate without wearing adequate winter outer garments. Do not wear jewelry, long scarves or other loose clothing, which could become entangled in moving parts. Wear footwear which will improve footing on slippery surfaces.
4. Use a grounded three-wire extension cord and receptacle for all units with electric start engines.
5. Adjust collector housing height to clear gravel or crushed rock surfaces.
6. Disengage all clutch levers before starting the engine.
7. Never attempt to make any adjustments while engine is

running, except where specifically recommended in the operator's manual.

8. Let engine and machine adjust to outdoor temperature before starting to clear snow.
9. To avoid personal injury or property damage use extreme care in handling gasoline. Gasoline is extremely flammable and the vapors are explosive. Serious personal injury can occur when gasoline is spilled on yourself or your clothes, which can ignite. Wash your skin and change clothes immediately.
  - a. Use only an approved gasoline container.
  - b. Extinguish all cigarettes, cigars, pipes and other sources of ignition.
  - c. Never fuel machine indoors.
  - d. Never remove gas cap or add fuel while the engine is hot or running.
  - e. Allow engine to cool at least two minutes before refueling.
  - f. Never over fill fuel tank. Fill tank to no more than ½ inch below bottom of filler neck to provide space for fuel expansion.
  - g. Replace gasoline cap and tighten securely.
  - h. If gasoline is spilled, wipe it off the engine and equipment. Move machine to another area. Wait 5 minutes before starting the engine.
  - i. Never store the machine or fuel container inside where there is an open flame, spark or pilot light (e.g. furnace, water heater, space heater, clothes dryer etc.).
  - j. Allow unit to cool for 5 minutes before storing.

## Operation

1. Do not put hands or feet near rotating parts, in the auger/impeller housing or discharge chute. Contact with the rotating parts can amputate hands and feet.
2. The auger/impeller clutch lever is a safety device. Never bypass its operation. Doing so makes the machine unsafe and may cause personal injury.
3. The clutch levers must operate easily in both directions and automatically return to the disengaged position when released.
4. Never operate with a missing or damaged discharge chute. Keep all safety devices in place and working.
5. Never run an engine indoors or in a poorly ventilated

area. Engine exhaust contains carbon monoxide, an odorless and deadly gas.

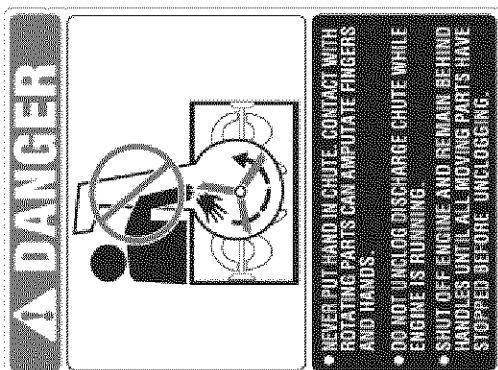
6. Do not operate machine while under the influence of alcohol or drugs.
7. Muffler and engine become hot and can cause a burn. Do not touch.
8. Exercise extreme caution when operating on or crossing gravel surfaces. Stay alert for hidden hazards or traffic.
9. Exercise caution when changing direction and while operating on slopes.
10. Plan your snow-throwing pattern to avoid discharge towards windows, walls, cars etc. Thus, avoiding possible property damage or personal injury caused by a ricochet.
11. Never direct discharge at children, bystanders and pets or allow anyone in front of the machine.
12. Do not overload machine capacity by attempting to clear snow at too fast of a rate.
13. Never operate this machine without good visibility or light. Always be sure of your footing and keep a firm hold on the handles. Walk, never run.
14. Disengage power to the auger/impeller when transporting or not in use.
15. Never operate machine at high transport speeds on slippery surfaces. Look down and behind and use care when in reverse.
16. If the machine should start to vibrate abnormally, stop the engine, disconnect the spark plug wire and ground it against the engine. Inspect thoroughly for damage. Repair any damage before starting and operating.
17. Disengage all clutch levers and stop engine before you leave the operating position (behind the handles). Wait until the auger/impeller comes to a complete stop before unclogging the discharge chute, making any adjustments, or inspections.
18. Never put your hand in the discharge or collector openings. Always use the clean-out tool provided to unclog the discharge opening. Do not unclog discharge chute while engine is running. Before unclogging, shut off engine and remain behind handles until all moving parts have stopped completely.
19. Use only attachments and accessories approved by the manufacturer (e.g. wheel weights, tire chains, cabs etc.).
20. If situations occur which are not covered in this manual, use care and good judgment. Contact Sears service center for assistance.

## Maintenance & Storage

1. Never tamper with safety devices. Check their proper operation regularly. Refer to the maintenance and adjustment sections of this manual.
2. Before cleaning, repairing, or inspecting machine disengage all clutch levers and stop engine. Wait until the auger/impeller come to a complete stop. Disconnect the spark plug wire and ground against the engine to prevent unintended starting.
3. Check bolts and screws for proper tightness at frequent intervals to keep the machine in safe working condition. Also, visually inspect machine for any damage.
4. Do not change the engine governor setting or over-speed the engine. The governor controls the maximum safe operating speed of the engine.
5. Snow thrower shave plates and skid shoes are subject to wear and damage. For your safety protection, frequently check all components and replace with original equipment manufacturer's (OEM) parts only. "Use of parts which do not meet the original equipment specifications may lead to improper performance and compromise safety!"
6. Check clutch controls periodically to verify they engage and disengage properly and adjust, if necessary. Refer to the adjustment section in this operator's manual for instructions.
7. Maintain/replace safety/instruction labels, as necessary.
8. Observe proper disposal laws and regulations for gas, oil, etc. to protect the environment.
9. Prior to storing, run machine a few minutes to clear snow from machine and prevent freeze up of auger/impeller.
10. Never store the machine or fuel container inside where there is an open flame, spark or pilot light such as a water heater, furnace, clothes dryer etc.
11. Always refer to the operator's manual for proper instructions on off-season storage.

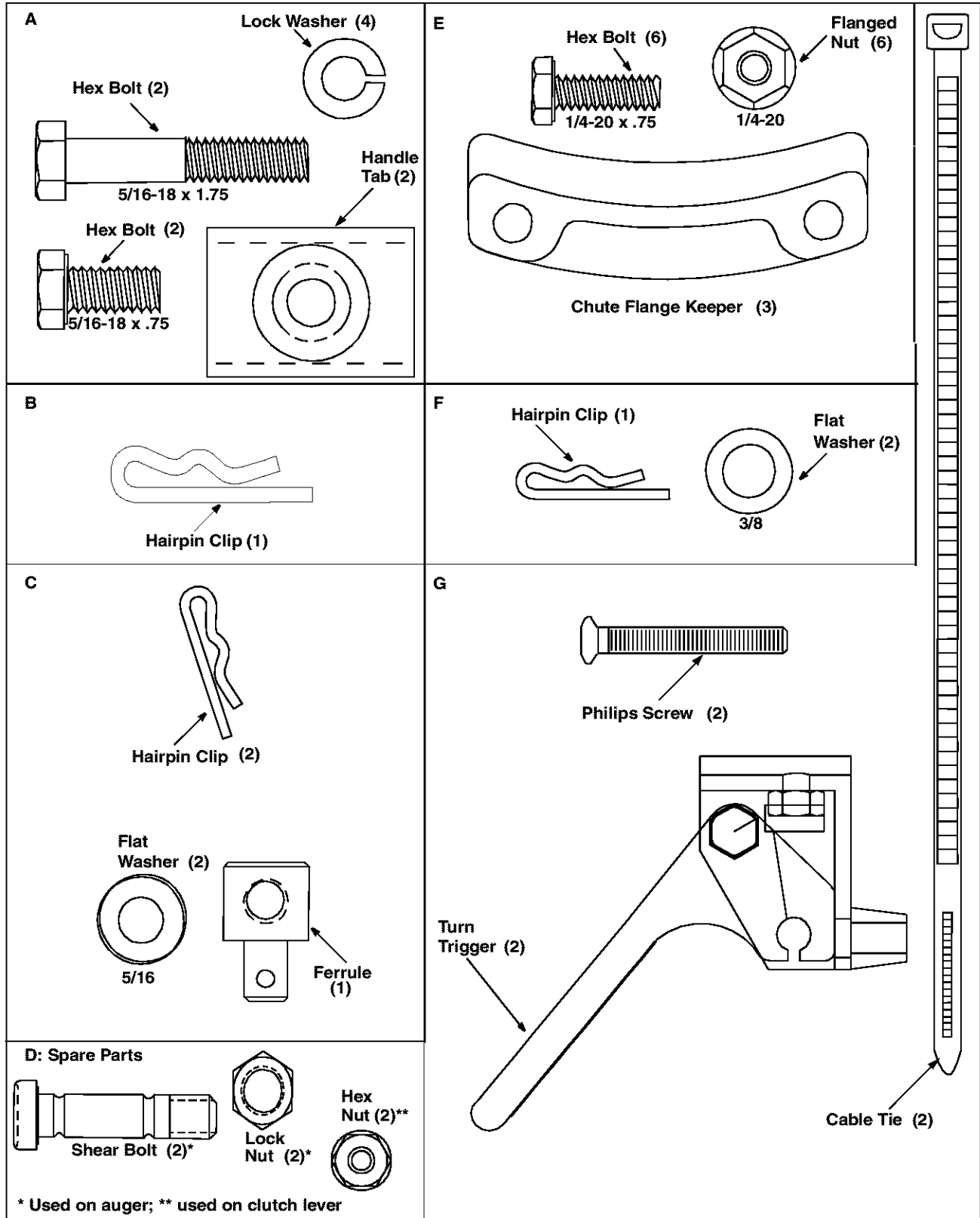
## Your Responsibility

Restrict the use of this power machine to persons who read, understand and follow the warnings and instructions in this manual and on the machine. The safety labels are shown below for your reference.



# HARDWARE PACK

Lay the hardware pieces from the hardware pack on the figure here and you will have automatically sorted these according to the steps of the assembly procedure described later. (Only one unit of each hardware has been shown per group. The number in parenthesis indicates the total number of the hardware needed in that group.)



# ASSEMBLY

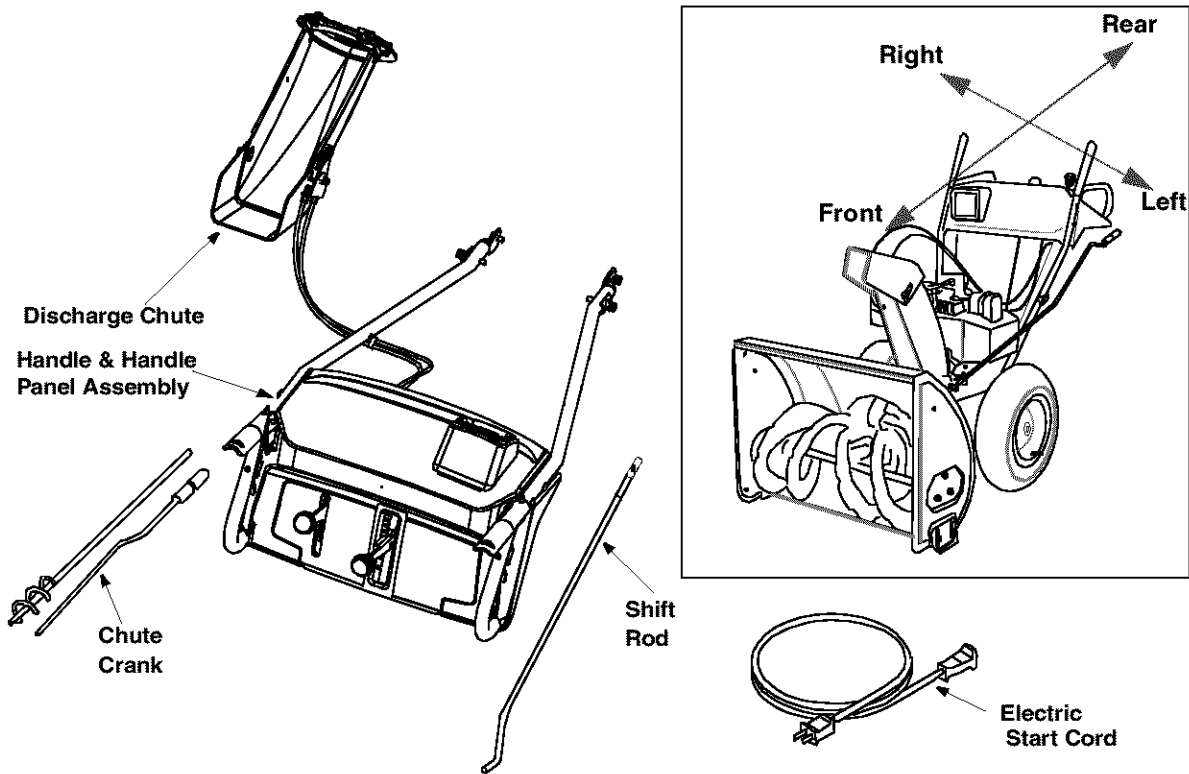


Figure 1

**IMPORTANT:** This unit is shipped with engine oil in the engine, but without gasoline. After assembly, see OPERATION section of this manual for fuel selection and fill-up.

## Removing From Carton

- Cut the corners of the carton and lay the sides flat on the ground. Remove all packing inserts.
- Remove all loose parts. For a complete list of the loose parts, refer to the following section.
- Move the snow thrower out of the carton.
- Make certain all parts and literature have been removed before discarding the carton.

## Loose Parts

Your snow thrower has been assembled at the factory except the parts shipped loose in the carton. These are listed below.

(See Figure 1 .)

- Handle and Handle Panel Assembly
- Chute Assembly
- Electric Start Cord
- Two-piece Chute Crank Assembly
- Shift Rod
- Hardware Pack

## Tools Required

1. 1/2" , 7/16" , 3/8" wrenches or a set of adjustable wrenches
2. Set of pliers
3. Set of philips head screw drivers
4. Funnel to fill up gasoline

## Before Assembly

- **Disconnect** spark plug wire and ground it against the engine to prevent unintended starting.

**NOTE:** All references in this manual to the left or right side of the snow thrower is from the operating position only. Exceptions, if any, will be specified.

## Attaching Handle Assembly

- Stretch out the control cables and place the handles and handle panel assembly on the floor. See Figure 2.
- Position the two ends of the handles on the snow thrower frame as indicated by arrows in Figure 2. For your convenience, you may place the discharge chute on the chute opening. Align the two lower holes on each handle to the corresponding holes on the snow thrower frame.

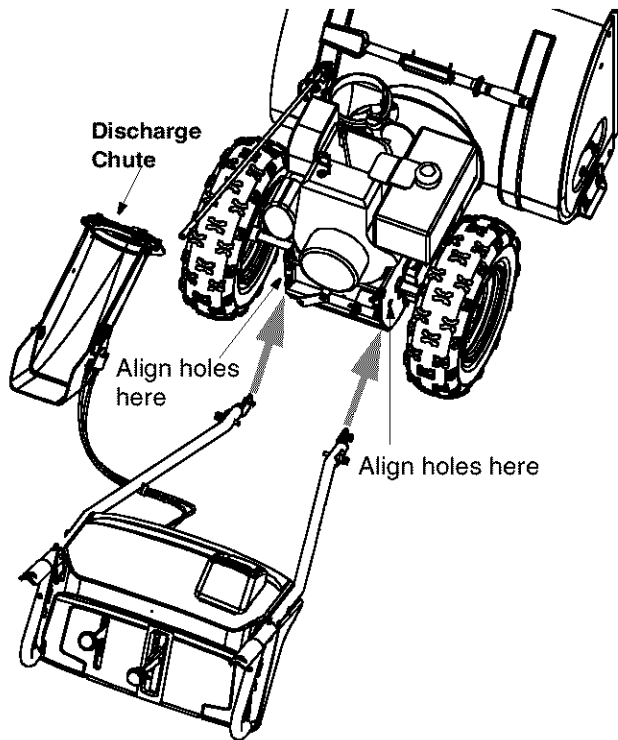
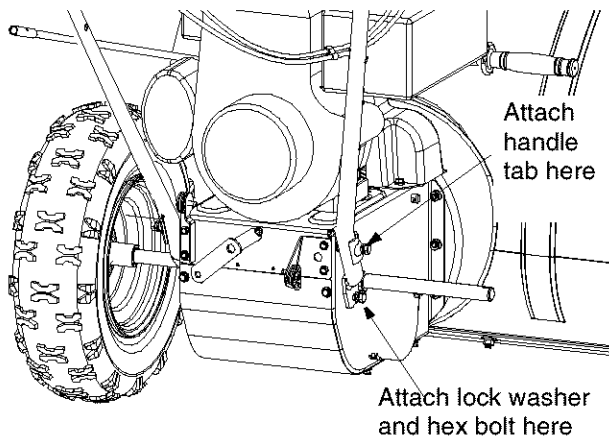


Figure 2

- Secure bottom hole on the handle to the snow thrower frame using 5/16 x .75" hex bolt and lock washer from the hardware pack (group A on page 5). Do not tighten at this time. See Figure 3.



**NOTE:** The right wheel and drive cover have been removed from picture here for viewing clarity.

Figure 3

- Place a handle tab, included in the hardware pack (group A on page 5), over the upper hole in handle so that the contour of the handle tab matches that of the handle. See Figure 3.
- Secure handle tab to the snow thrower using hex bolt (5/16 x 2.0" long) and lock washer from the same group in the hardware pack. Do not tighten at this time.

- Attach the left handle in the same manner. Do not tighten at this time.

## Attaching Chute

- Place the chute assembly over the chute opening with the chute facing front of the unit.

**NOTE:** Make sure that the chute cables are straightened while assembling the chute.

- Place the chute flange keeper (flat side down) beneath lip of chute assembly as shown in Figure 4. You will find the chute flange keepers in group E of the hardware pack.
- Insert hex bolt (1/4-20 x .75") and flange nut from group E up through chute flange keeper and chute assembly as shown in Figure 4. Do not tighten at this time. Rotate chute to install all flange keepers.

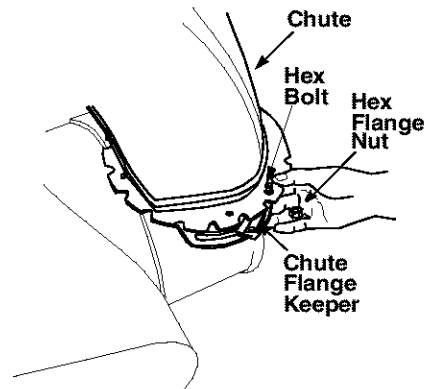


Figure 4

- After assembling all three chute flange keepers, tighten, then back off 1/4 turn to allow easier movement of the chute. Use (2) 7/16" wrenches.

## Attaching Chute Crank

- You may have to loosen the carriage bolts and hex lock nuts which secure the lower chute crank bracket to the extension on the left side of the chute assembly. See Figure 5.

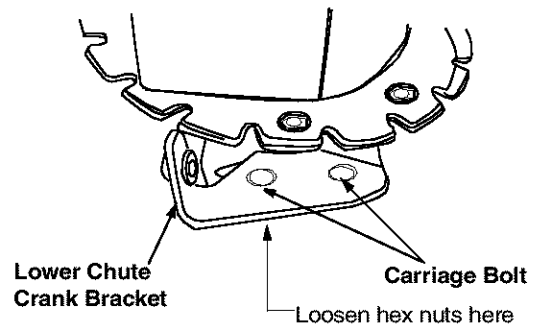


Figure 5

- Place one 3/8 ID flat washer (from group F of the hardware pack) on the end of the chute crank,

then insert the end of the chute crank into the eye hole in the plastic bushing in the lower chute crank bracket. See Figure 6 .

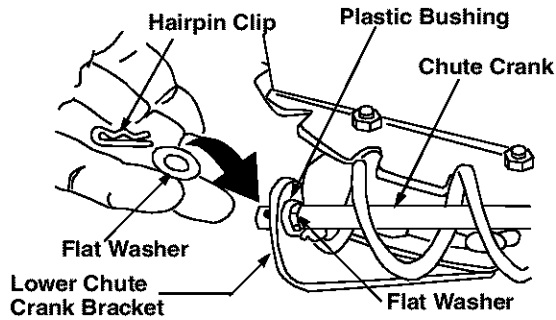


Figure 6

- Place the other 3/8 ID flat washer (from the same group of hardware) on the end of the chute crank and insert hairpin clip into hole at the end of the chute crank. See Figure 6 .
- Adjust the chute bracket so that the spiral on the chute crank fully engages the teeth on the chute assembly. Tighten hardware (Figure 6) on the lower chute crank bracket, if loosened earlier.
- Slide the upper chute crank through the plastic bushing in the upper chute crank bracket and then into the lower chute crank. See Figure 7 . Align the holes on the two pieces of the chute crank, and secure with hairpin clip from group B of the hardware pack.

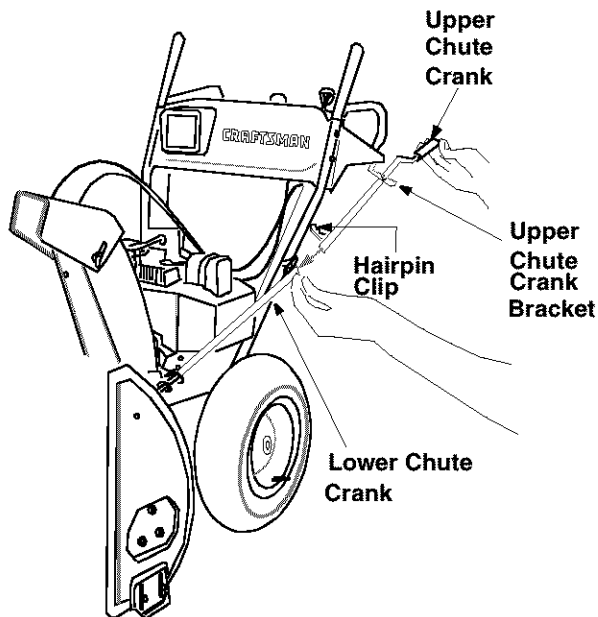


Figure 7

- Fully rotate the chute, using the chute crank, to make sure that it moves freely.
- Using a wrench, tighten the hex bolt and the hex nut on the upper chute crank bracket.

- Slip the cables that run from the handle panel to the chute into the cable guide located on top of the engine. See Figure 8 .

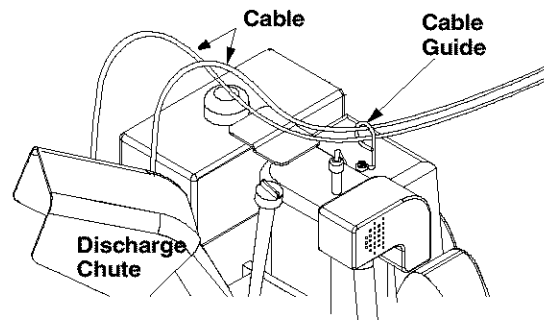


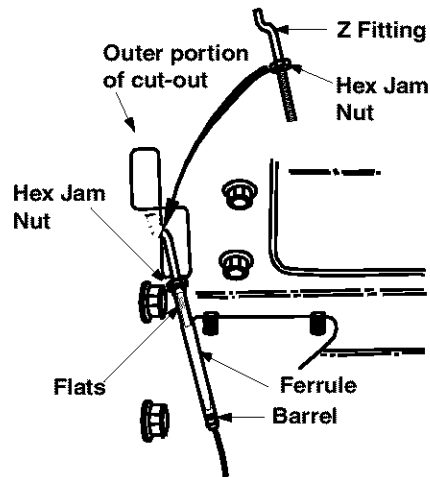
Figure 8

- Tighten all loose hardware on the handle assembly now.

## Attaching Clutch Cables

The clutch control cables are attached to the snow thrower. For shipping purposes, if the cables are attached to the top of the engine with cable ties, cut the cable ties now. The Z ends of the clutch cables are hooked into the clutch grips on each handle.

- Ensure there is a hex jam nut threaded all the way up the threaded portion of the Z fitting; extras are supplied in the hardware pack. See Figure 9 .
- Place the clutch grip in the raised (up) position.



(Viewed from the underside of the handle panel)

Figure 9

- Swing the left auger cable up making sure the cable is routed correctly in the cable roller guides located at the lower rear of the unit.
- Hold the end of the cable at the barrel so the ferrule turns freely without twisting the cable. Thread the ferrule on to the Z fitting. You may have to pull on the cable slightly to relieve tension. Keep the ferrule turning *without twisting* the cable.

- You will reach correct adjustment when there is minimal slack in the cable but it is not tight. Hold the flats on the ferrule with pliers and tighten the jam nut against the ferrule.

**CAUTION:** Cables will become loose if you do not tighten the jam nut.



**WARNING:** There must not be any tension on either clutch cable with the drive or auger clutch grip in the disengaged (up) position. These clutches are a safety feature. Do not override their function.

## Attaching Shift Rod

- Place the shift lever in the sixth (6) speed.
- Place the bent end of the shift rod into the hole in the shift arm assembly. See Figure 10. Secure with 5/16 flat washer and hairpin clip from group D of the hardware pack.
- Thread ferrule (included in group C) from the right side onto the other end of the shift rod till it lines up with the upper hole in the shift lever (beneath the handle panel). While aligning the ferrule, push down on the shift rod and the shift arm assembly as far as it will go.

**NOTE:** You may have to pull the shift lever out of the sixth speed position and move it towards the fifth speed position until the ferrule slides into the hole without force.

- Once the ferrule slides into the hole, turn it counter-clockwise one more full turn and insert it in the hole in the shift lever. For proper positioning of the ferrule and the associated hardware, see Figure 10.

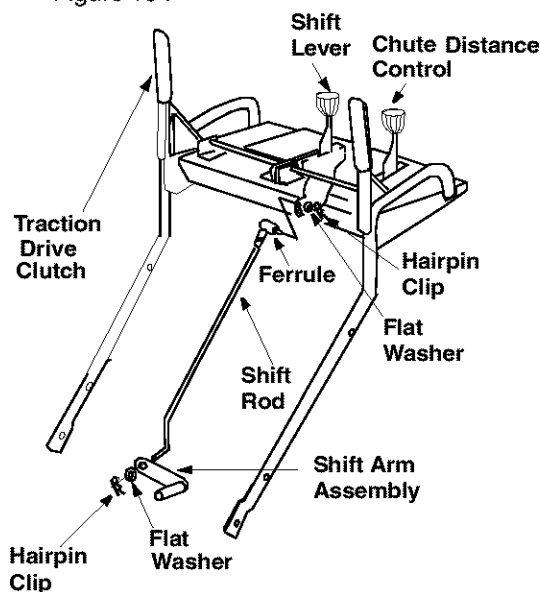


Figure 10

- Secure the ferrule to the shift lever with another 5/16 flat washer and hairpin clip from group C of the hardware pack. See Figure 10.
- Check for correct adjustment of the shift rod, as instructed in the Adjustment section, before operating the snow thrower.

## Attaching Turn Triggers

- Check and make sure that the right hand trigger cable is routed in front of the traction drive cable.
- Feed the trigger cable up through the outer side of the slot in the handle panel. *Do not feed the cable through the same side of the slot as the Z fitting.*
- Place the cable barrel fitting into the hole in the trigger. You can find the triggers and associated hardware in group H of the hardware pack. See Figure 11.

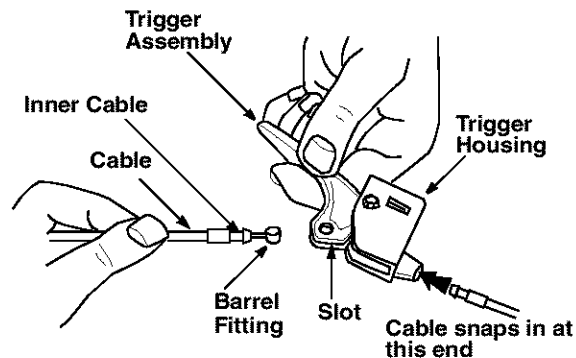


Figure 11

- Pull on the cable and rotate it around the bottom of the trigger, with the inner cable in the slot, until the cable end can be pushed into the trigger housing and snapped tight. See Figure 11.

**NOTE:** When the cable is installed correctly, you should not be able to pull the cable out of the trigger housing.

- Place the right turn trigger in position underneath the right handle. Insert screw, from group G of the hardware pack, into the hole on the handle and the weld nut molded on the turn trigger assembly. See Figure 5. Tighten screw with a Philips screw driver. Repeat on the left side.

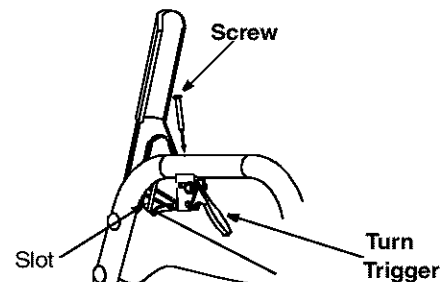


Figure 12

- Secure the right turn trigger cable to the right lower handle using cable tie provided in the hardware pack. Make sure not to wrap *the drive cable*. See Figure 13 .

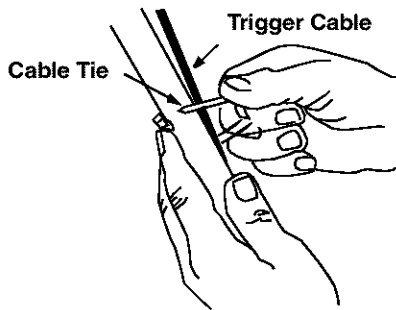


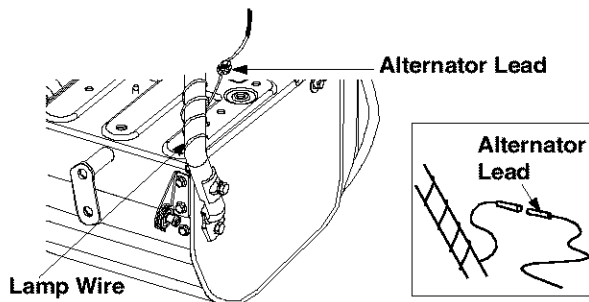
Figure 13

- Secure the left turn trigger cable to the lower handle using the other cable tie. Make sure to route the cable tie *below the auger drive cable* so that when the trigger cable is secured by the cable tie, the auger drive cable is left outside the cable tie. Trim excess ends from each cable tie.

**NOTE:** The right side cable tie must be used to keep cable from coming in contact with the moving shift arm from the transmission.

## Lamp Wiring

- Wrap the wire from the lamp down the right handle as shown in Figure 15.
- Plug wire into the alternator lead wire under the fuel tank. See Figure 14 .



**NOTE:** Wheels are omitted from illustration for clarity.

Figure 14

**IMPORTANT:** Assemble your snow thrower, then check the adjustments as instructed and make any final adjustments necessary *before* operating the unit. Failure to follow these instructions may cause damage to the snow thrower.

## Chute Clean-Out Tool

- This tool is fastened with a cable tie to the rear of the auger housing for shipping purposes. Cut the cable tie and remove the tool before operating the snow thrower.

## Final Adjustments

### Auger Control

- To check the adjustment of the auger control, push forward the left hand clutch grip until the rubber bumper is compressed. There should be slack in the clutch cable.
- Release the clutch grip. The cable should be straight. Make certain you can depress the auger control grip against the left handle completely.
- If adjustment is necessary, loosen the hex jam nut and thread the cable in (for less slack) or out (for more slack). See Figure 15.
- Recheck the adjustment. Tighten the jam nut against the cable when correct adjustment is reached.

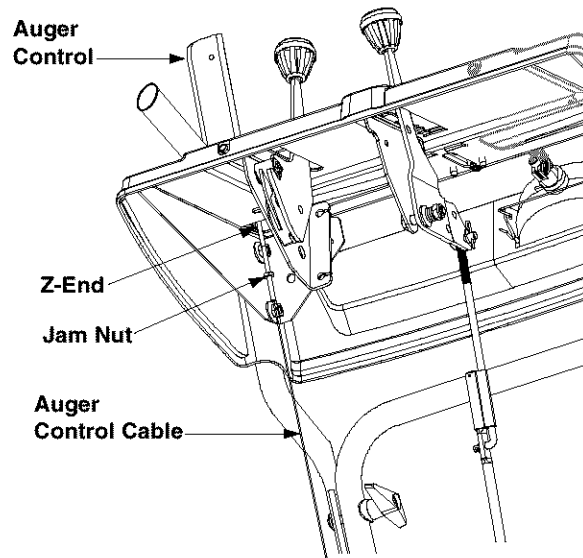


Figure 15

### Traction Drive Clutch and Shift Lever

- Tip the snow thrower forward so that it rests on the auger housing.
- Move the shift lever all the way forward to the sixth (6) position.
- With the traction drive lever released, spin the snow thrower wheels by hand. The wheels should turn; however, you may feel some resistance.
- Engage the traction drive clutch grip. The wheels should no longer turn.
- Now release the traction drive clutch grip, and spin the wheels again.
- Move the shift lever back to the fast reverse position, then all the way forward again. There should be no resistance in the shift lever, and the wheels should turn.

- If you face resistance when moving the shift lever or the snow thrower wheels stop when they should not, loosen the lock nut on the traction drive cable and unthread the cable one turn.
- If the wheels can still be turned when you engage the traction drive clutch grip, loosen the lock nut on the traction drive cable and thread the cable in one turn.
- Recheck the adjustment and repeat adjustment as necessary. Tighten the jam nut to secure the cable when correct adjustment is reached.

**NOTE:** *If you are not sure that you have reached correct adjustment, refer to the Adjustment section on page 20.*

### Skid Shoe

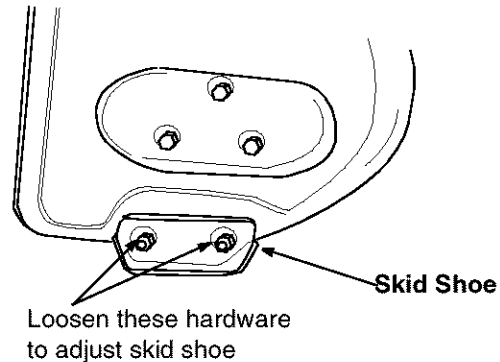
The space between the shave plate and the ground can be adjusted. For close snow removal, place skid shoes in the low position. Use middle or high position when area to be cleared is uneven.

**NOTE:** *It is not recommended that you operate this snow thrower on gravel as loose gravel can be easily picked up and thrown by the auger causing an injury or damage to the snow thrower.*

- If for some reason, you have to operate the snow thrower on gravel, keep the skid shoe in the highest

position for maximum clearance between the ground and the shave plate.

- Adjust skid shoes by loosening the four hex nuts and carriage bolts and moving skid shoes to desired position.
- Make certain the entire bottom surface of skid shoe is against the ground to avoid uneven wear on the skid shoes.
- Tighten nuts and bolts securely.



**Figure 16**

### Tire Pressure (Pneumatic Tires)

The tires are over-inflated for shipping purposes. Check tire pressure and reduce to 15 to 20 psi.

**NOTE:** *If the tire pressure is not equal in both tires, the unit may pull to one side or the other.*

# OPERATION

## Knowing Your Snow Thrower

Read this owner's manual and safety rules before operating your snow thrower. Compare illustration below with your snow thrower to familiarize yourself with the location of various controls and adjustments. Save this manual for future reference.

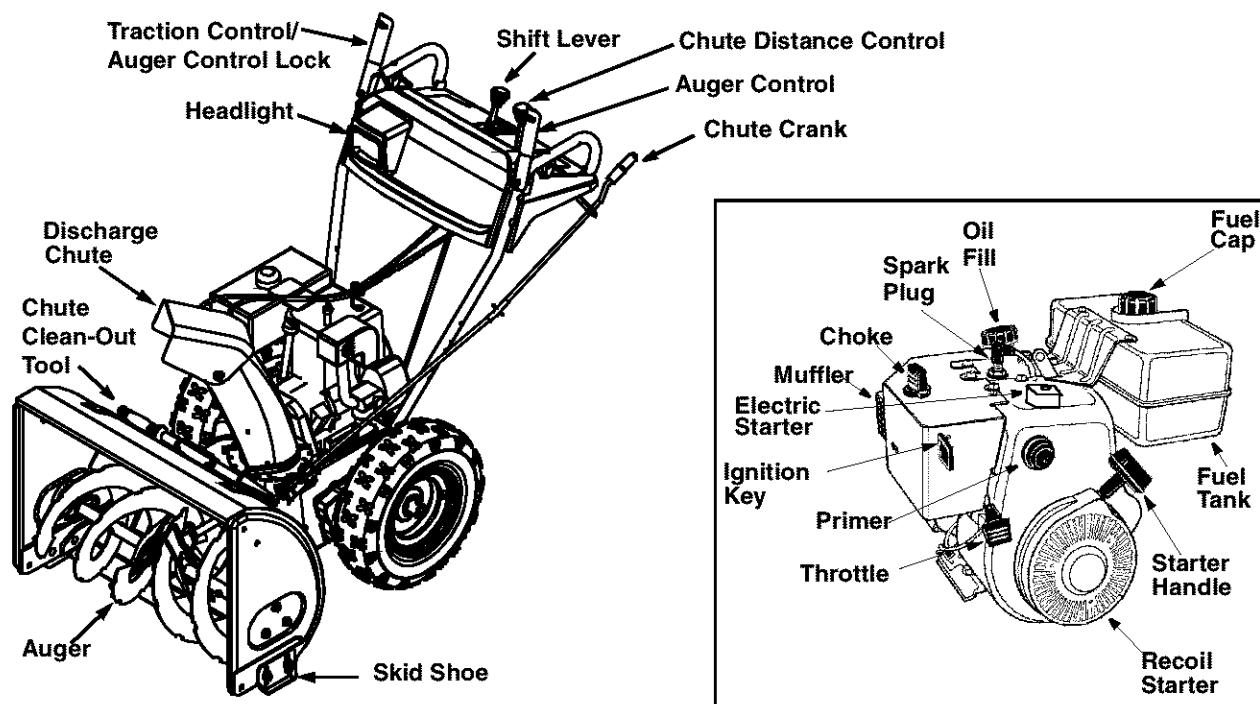


Figure 17

## Operating Controls

(See Figure 17.)

### Traction Control / Auger Control Lock

The traction control is located on the right handle. Squeeze the traction control to engage the wheel drive. Release to stop.

This same lever also locks the auger control so you can operate the chute crank without interrupting the snow throwing process. If the auger control is engaged simultaneously with the traction control, the operator can release the auger control (on the left handle) and the augers will remain engaged. Release the traction control to stop the augers and wheel drive (the auger control must also be released).

**IMPORTANT:** Always release the traction control before changing speeds.

### Auger Control

The auger control is located on the left handle. Squeeze the auger control to engage the augers. Release to stop the snow throwing action. The traction control must also be released in order to stop auger.



### Headlight

The headlight is on whenever the engine is running.

### Throttle Control

The throttle control is located on the engine. It regulates the speed of the engine.

### Safety Ignition Key

The safety ignition key must be fully inserted in the switch before the unit will start. Remove key when snow thrower is not in use. Do not attempt to turn the key.

---

## Meets ANSI Safety Standards

Sears snow throwers conform to the safety standards B71.3 of the American National Standards Institute (ANSI).

---

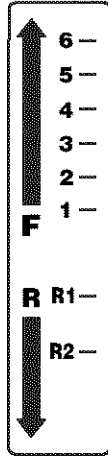
## Shift Lever

The shift lever is located in the center of the handle panel and is used to determine ground speed and direction of travel. It can be moved into any of eight positions.

**IMPORTANT:** Always release traction the control before changing speeds.

**Forward:** The snow thrower has six forward (F) speeds. Position one (1) is the slowest and position six (6) is the fastest.

**Reverse:** The snow thrower has two reverse (R) speeds—R1 is the slower of the two.



## Discharge Chute

The angle of the discharge chute controls the distance that the snow is thrown. Tilt the discharge chute up for greater distance; tilt down for less distance.

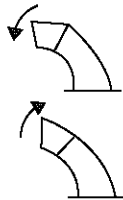
## Chute Crank

The chute crank is located on the left hand side of the snow thrower. Use it to change the direction in which snow is thrown. Avoid targetting persons, animals or cars and buildings.



## Chute Distance Control

The distance snow is thrown can be changed by adjusting the angle of the chute assembly. Move the chute distance control forward to decrease the distance and toward the rear to increase the distance.



## Chute Clean-Out Tool

The chute clean-out tool is designed to clear a clogged discharge chute. Refer to page 16 for instructions on how to properly use it.



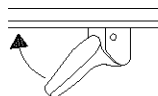
**WARNING:** Never use your hand to clear a clogged discharge chute. Shut off engine and remain behind handles until all moving parts have stopped before unclogging.

## Wheel Steering Controls

The left and right wheel steering controls are located on the underside of the handles.

- Squeeze the right control to turn right; squeeze the left control to turn left.

**NOTE:** Operate the snow thrower in open areas until you are familiar with these controls.



## Skid Shoe

The skid shoe position is determined by the condition of the ground from where snow has to be removed. Higher the snow level, lower will be the skid shoe. Adjust it accordingly.

## Stopping Snow Thrower

- To stop the wheels, release the traction drive lever of the snow thrower.
- To stop throwing snow, release the auger drive lever.
- To stop the engine, push throttle control lever to OFF and pull out the ignition key. Do not turn key.

## Before Starting Engine

### Fill Gas



**WARNING:** Gasoline is flammable; use caution when handling or storing it.

Do not fill fuel tank while the snow thrower is running, when it is hot or when it is in an enclosed area.

Keep your snow thrower away from any open flame or an electrical spark and do not smoke while filling the fuel tank.

Never fill the fuel tank completely. Fill the tank to within 1/4"-1/2" from the top to provide space for expansion of fuel.

Always fill the fuel tank outdoors and use a funnel or spout to prevent spilling.

Make sure to wipe off any spilled fuel before starting the engine.

- Store gasoline in a clean, approved container and keep the cap in place on the container.
- Make sure that the container from which you pour the gasoline is clean and free from rust or other foreign particles.
- A plastic cap is provided inside the fuel fill opening on the fuel tank. Remove and discard this cap before filling up the tank. Use the separate fuel tank cap to close after fill-up.
- Fill fuel tank with clean, fresh, unleaded grade automotive gasoline.
- At the end of the job, empty the fuel tank if the snow thrower is not going to be used for 30 days or longer. See storage instructions on 25 of this manual.

**CAUTION:** Experience indicates that alcohol blended fuels (called gasohol) or those using ethanol or methanol can attract moisture which leads to separation and formation of acids during storage. Acidic gas can damage the fuel system of an

engine while in storage. To avoid engine problems, the fuel system should be emptied before storage for 30 days or longer. Drain the gas tank, start the engine and let it run until the fuel lines and carburetor are empty. Use fresh fuel next season. See storage Instructions for additional information. Never use engine or carburetor cleaner products in the fuel tank or permanent damage may occur.

## Fill Oil

The engine was shipped with oil in the engine. Check the level of oil before each operation and make sure there is adequate oil in the engine. Refer to instructions on page 18 for correct procedure.

## To Start Engine



**WARNING:** Be sure **no one other than the operator** is standing near the snow thrower while starting or operating. **Do not operate** this snow thrower unless the discharge chute assembly has been properly installed and is secured.

## Electric Starter

For location of all the engine controls referred to in this section, see Figure 17 inset. For illustration of starting instructions, see Figure 18.

Before starting, make sure that the engine has sufficient oil. The snow thrower engine is equipped with a 120 volt A.C. electric starter and recoil starter. The electric starter is equipped with a three-wire power cord and plug and is designed to operate on 120 volt AC household current. Follow all instructions carefully.

## Cold Start

**NOTE:** If the unit shows any sign of motion (drive or augers) with the clutch grips disengaged, shut the engine off immediately. Readjust as instructed in the "Final Adjustments" section of the Assembly Instructions.



**WARNING:** The electric starter must be properly grounded at all times to avoid the possibility of electric shock which may be injurious to the operator.

- Determine whether your house wiring is a three-wire grounded system. Ask a licensed electrician if you are not certain.



**WARNING:** If your house wiring system is not a three-wire grounded system, do not use this electric starter under any conditions.

- If your house wiring system is grounded and a three-hole receptacle is not available at the point

the snow thrower starter will normally be used, one should be installed by a licensed electrician.

- When connecting the power cord, always connect cord to starter on engine first, then plug the other end into a three-hole grounded receptacle.
- When disconnecting the power cord, always unplug the end from the three-hole, grounded receptacle first.
- Attach** spark plug wire to spark plug.
- Make sure that the auger drive and the traction drive levers are in the disengaged position.

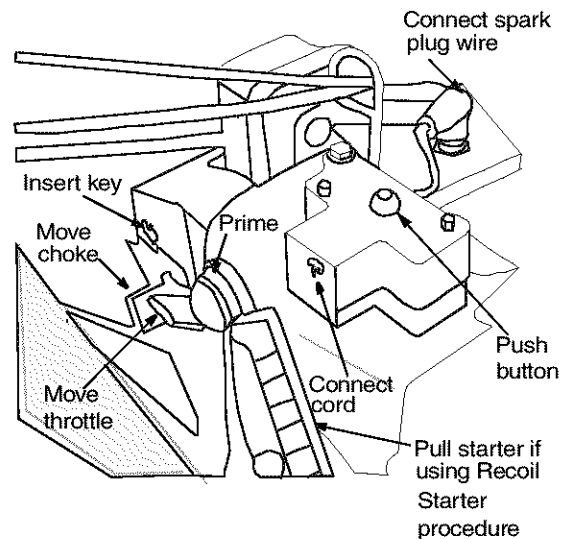


Figure 18

- Move throttle control lever to FAST position.
- Remove the keys from the plastic bag. Push key into the ignition slot. Make sure it snaps into place. *Do not turn key.*
- Rotate the choke knob to FULL choke position.
- Connect the power cord to the switch box on the engine.
- Plug the other end of the power cord into a three-hole, grounded 120 volt A.C. receptacle.



**WARNING:** Do **not** use primer while starting the engine with an electric starter.

- Push down on the starter button until the engine starts. Do not crank for more than 10 seconds at a time. This electric starter is thermally protected. If overheated, it will stop automatically and can be restarted only when it has cooled to a safe temperature (a wait of about 5 to 10 minutes is required).
- When the engine starts, release the starter button and slowly rotate the choke to OFF position. If the engine falters, rotate the choke to FULL and then gradually to OFF.

- Disconnect the power cord from the receptacle first and then from the switch box on the engine.
- Allow the engine to warm up for a few minutes because the engine will not develop full power until it reaches operating temperature. Operate the engine at full throttle (FAST) when throwing snow.

### Warm Start

- If restarting a warm engine, rotate choke to OFF instead of FULL and press the starter button.

### Recoil Starter

Make sure that the engine has sufficient oil and the auger drive and the traction drive levers are released.

- Move throttle control to FAST position.
- Push key into the ignition slot so that it snaps into place. Do not turn key.
- Rotate choke control to FULL choke position.
- Push the primer button while covering the vent hole. Remove your finger from the primer between primes. Do not prime if temperature is above 50° F; prime two times between 50° F and 15° F; and prime four times below 15° F.
- Pull the starter handle rapidly. Do not allow the handle to snap back, but allow it to rewind slowly while keeping a firm hold on the starter handle.
- As the engine warms up and begins to operate evenly, rotate the choke knob slowly to OFF position. If the engine falters, return to FULL choke, then slowly move to OFF choke position.
- Allow the engine to warm up for a few minutes because the engine will not develop full power until it reaches operating temperature.
- Operate the engine at full throttle (FAST) when throwing snow.

### Warm Start

- If restarting a warm engine after a temporary shut down, rotate choke to OFF instead of FULL and do **not** prime. Press the starter button.

### Frozen Recoil Starter

If the starter is frozen and will not turn the engine, proceed as follows:

- Pull as much rope out of the starter as possible.
- Release the starter handle and let it snap back against the starter.
- If the engine still fails to start, repeat the first two steps. If continued attempts do not free starter, follow the electric starter procedures to start.
- Avoid possible freezing of recoil starter and the engine controls.

## To Engage Drive

- With the engine running near top speed, move shift lever to one of six FORWARD positions or two REVERSE positions. Select a speed appropriate

for the snow conditions that exist. Use slower speeds until you are familiar with the operation of the snow thrower.

- Squeeze the traction drive clutch grip against the right handle and the snow thrower will move. Release it and the drive motion will stop.

## To Engage Augers

- To engage the augers and start snow throwing, squeeze the left hand auger clutch grip against the left handle. Release to stop augers.
- While the auger control is engaged, squeeze the traction drive control to move, release to stop. Do **not** shift speeds while the drive is engaged.

**NOTE:** *This same lever also locks the auger control so you can turn the chute crank without interrupting the snow throwing process.*

- Release the auger control; the interlock mechanism should keep the auger control engaged until the traction drive control is released.
- Release the traction drive control to stop both the augers and the wheel drive.



**WARNING:** To stop the auger, both levers must be released

## To Throw Snow

**CAUTION:** Check the area to be cleared for foreign objects. Remove, if any.

- Start the engine following starting instructions.
- Rotate the discharge chute to the desired direction, away from bystanders and/or buildings. Move the chute distance control forward or backward to adjust the distance the snow is to be thrown.
- Select the speed according to snow condition.

**CAUTION:** Never move the shift lever without first releasing the drive clutch.

- Engage the auger control and traction drive control levers following instructions above.
- The interlock feature will allow you to remove your left hand from the auger control lever.
- When clearing the first pass through the snow, control the traction speed of the snow thrower according to the depth and condition of snow.
- To turn the unit left, squeeze left trigger; to turn right, squeeze right trigger.
- On each succeeding pass, readjust the chute deflector to the desired position and slightly overlap the previously cleared path.
- After the area is cleared, stop the snow thrower following instructions given below.

## Operating Tips

**NOTE:** Allow the engine to warm up for a few minutes as the engine will not develop full power until it reaches operating temperature.



**WARNING:** The temperature of muffler and surrounding areas may exceed 150° F. Avoid these areas.

- For most efficient snow removal, remove snow immediately after it falls.
- Discharge snow downwind whenever possible. Slightly overlap each previous swath.
- Set the skid shoes 1/4" below the scraper bar for normal usage. The skid shoes may be adjusted upward for hard-packed snow.

**NOTE:** It is not recommended that you operate this snow thrower on gravel as loose gravel can be easily picked up and thrown by the auger causing an injury or damage to the snow thrower.

- If for some reason, you have to operate the snow thrower on gravel, keep the skid shoe in the highest position for maximum clearance between the ground and the shave plate.
- Clean the snow thrower thoroughly after each use.

## Chute Clean-Out Tool

The chute clean-out tool is conveniently fastened to the rear of the auger housing with a mounting clip. **Never** use your hand to clean a clogged chute.

- Release both the auger control lever and the traction/auger control lock lever.
- Stop the engine by removing the ignition key.
- Remove the clean-out tool from the clip which secures it to the rear of the auger housing. See Figure 19.
- Use the shovel-shaped end of the clean-out tool to remove any snow and ice in the discharge chute.
- Re-fasten the clean-out tool to the mounting clip on the rear of the auger housing and restart engine.
- While standing in the operator's position (behind the snow thrower), engage the auger clutch lever for a few seconds to clear any remaining snow or ice from the discharge chute before continuing to clear snow.

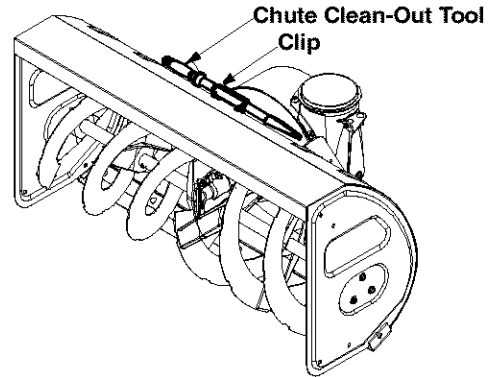


Figure 19

## Before Stopping

- Run engine for a few minutes to help dry off any moisture on engine.
- To avoid possible freeze-up of the starter, follow these steps:

### Recoil Starter

- With the engine running, pull the starter rope with a rapid, continuous full arm stroke three or four times.

### Electric Starter

- Connect power cord to switch box, then to 120 Volt AC receptacle.
- While the engine is running, push the starter button and spin the starter for several seconds.
- Disconnect power cord from the receptacle first, then from the snow thrower.

**NOTE:** The unusual sound from pulling the starter rope in the case of the recoil starter, or from spinning the starter in the case of the electric starter, will not harm the engine.

## To Stop The Snow Thrower

- To stop the wheel, release the traction drive lever on the snow thrower.
- To stop throwing snow, release auger drive lever.
- To stop engine, push throttle control lever to OFF and pull out the key. *Do not turn key.*

### Starting Instructions At A Glance

Snow Thrower	Spark Plug wire	Drive Levers	Throttle control	Ignition Key	Choke	Power Cord	Primer	Starter	After starting
Electric Starter	Connect	Release	Move to FAST	Push to snap in	Move to FULL	Connect to source	—	Push button	1. Release button 2. Move Choke to Off 3. Disconnect cord
Recoil Starter	Connect	Release	Move to FAST	Push to snap in	Move to FULL	—	Prime	Pull handle	1. Release handle 2. Move Choke to Off.

# MAINTENANCE

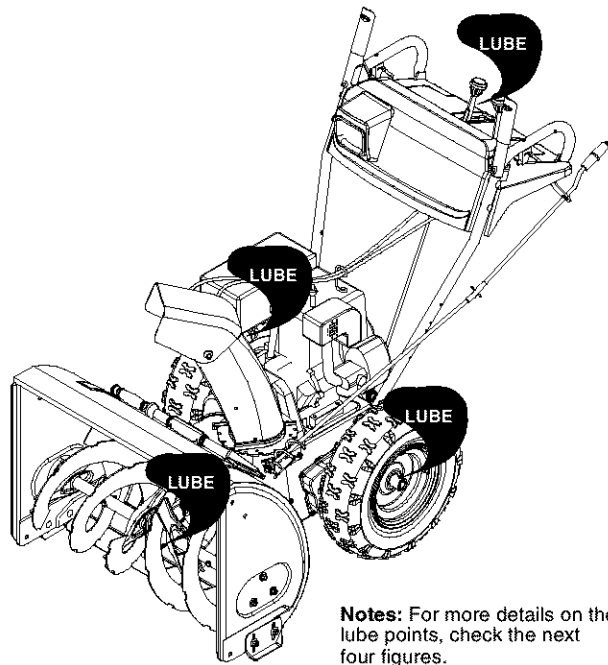
## General Recommendations

- Always observe safety rules when performing any maintenance.
- The warranty on this snow thrower does not cover items that have been subjected to operator abuse or negligence. To receive full value from the warranty, operator must maintain the snow thrower as instructed in this manual.
- Some adjustments will have to be made periodically to maintain your unit properly.
- All adjustments in the Service and Adjustments section of this manual should be checked at least once each season.
- Follow the maintenance schedule given below.
- Periodically check all fasteners and make sure these are tight.



**WARNING:** Always stop the engine and disconnect the spark plug wire before performing any maintenance or adjustments.

## Lubrication



**Notes:** For more details on the lube points, check the next four figures.

Figure 20: Lubrication Chart

## Drive and Shifting Mechanism

- At least once a season or after every 25 hours of operation, remove rear cover. Lubricate any chains, sprockets, gears, bearings, shafts, and the shifting mechanism at least once a season. Use engine oil or a spray lubricant.

**IMPORTANT:** Avoid spillage of oil on rubber friction wheel and aluminum drive plate.

## Auger Shaft

- At least once a season, remove the shear bolts from the auger shaft and spray lubricant inside the shaft. See Figure 21.

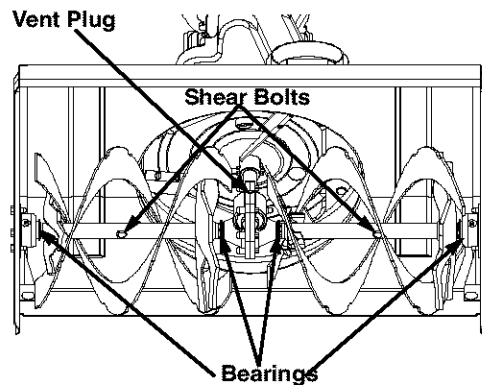


Figure 21

## Auger Bearings and Shaft

- Every season lubricate the auger bearings and the bearings on the side of the frame with light oil. See to Figure 21 .

## Discharge Chute

- The base of the discharge chute and the spirals on the chute crank should be lubricated at least every 25 hours of use. Apply the lubricant under the base of the chute and where the spirals contact the discharge chute. See Figure 22 .

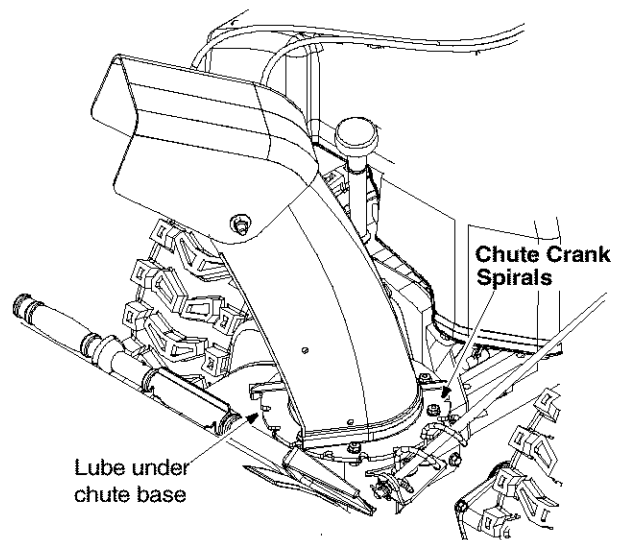


Figure 22

## Wheels

- Oil or spray lubricant into bearings at wheels at least once a season. Pull klick pin, remove wheels, clean and coat axles with a multipurpose automotive grease. See Figure 23.

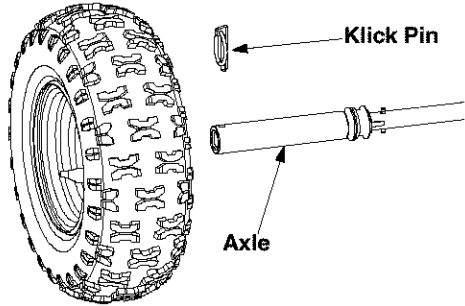


Figure 23

## Traction Control / Auger Control Lock

The cams on the ends of the control rods which interlock the traction drive and auger drive clutches must be lubricated at least once a season or every 25 hours of operation using a multi-purpose automotive grease. The cams can be accessed beneath the handle panel. See Figure 24.

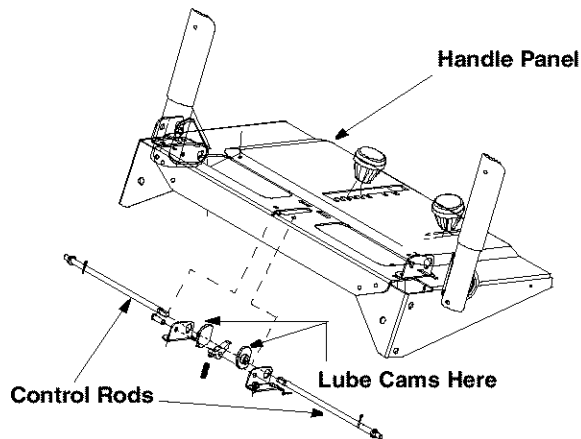


Figure 24

## Gear Shaft

- Lubricate the gear shaft with 6-in-1 grease (part number 737-0170) at least once a season, or after every 25 hours of operation.

**IMPORTANT:** Keep all grease and oil off the rubber friction wheel and drive plate.

## Gear Case

The gear case is lubricated with grease at the factory and does not require further lubrication regularly.

- However, if disassembled for any reason, lubricate with 2 ounces of Shell Alvania™ grease EPR00,

part number 737-0168. Before reassembling, remove old sealant and apply new sealant.

**IMPORTANT:** Do not overfill the gear case, since damage to the seals could result. Be sure the vent plug is free of grease in order to relieve pressure.

## Check V-Belts

Follow instructions below to check the condition of the drive belts every 50 hours of operation.

- Remove the plastic belt cover on the front of the engine by removing two self-tapping screws.
- Visually inspect for frayed, cracked, or excessively worn out belts.

## Check Friction Wheel

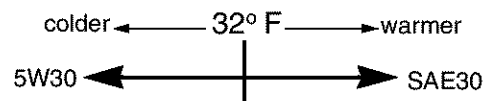
Follow the instructions below to check the condition of the friction wheel rubber every 25 hours of operation.

- Remove the six self-tapping screws from the frame cover underneath the snow thrower.
- Visually inspect the friction wheel rubber for excessive wear, cracks, or loose fit on the friction wheel drive hub.
- Also engage the traction control and check if the friction wheel is making contact with friction plate. If it does not make contact, adjust the traction drive cable and recheck the friction wheel.
- Replace friction wheel rubber if necessary. Refer to instructions on page 23.
- After maintenance on friction wheel is over, re-attach the frame cover to the snow thrower with the hardware removed earlier.

## Engine Maintenance

### Engine Oil

Only use high quality detergent oil rated with API service classification SF, SG or SH. Select the oil's SAE viscosity grade according to the expected operating temperature.



Viscosity Chart

**NOTE:** Although multi-viscosity oils (5W30, 10W30 etc.) improve starting in cold weather, these multi-viscosity oils will result in increased oil consumption when used above 32°F. Check your snow thrower's engine oil level more frequently to avoid possible engine damage from running low on oil.

Refer to the viscosity chart for proper selection of engine oil.

**Checking Oil Level**

**CAUTION:** Before operating the snow thrower, check the engine oil level.

- With engine on level ground, the oil must be to FULL mark on dipstick.
- Stop engine and wait several minutes before checking oil level. Remove oil fill cap and dipstick.
- Wipe dipstick clean, insert it into oil fill hole and tighten securely.
- Remove dipstick and check. If oil is not up to the FULL mark on dipstick, add oil.

**Changing Oil**

Change engine oil after first two hours of operation and every 25 hours thereafter.

In order to change the oil, you will have to first drain the spent engine oil from the engine and then refill with fresh oil.

- Drain oil while engine is warm. Remove oil drain cap located at the bottom of the recoil starter of the engine. Catch oil in a suitable container.
- When engine is drained of all oil, replace drain plug securely.
- Remove the dipstick from the oil fill. For location of the oil fill, see Figure 17. Pour fresh oil slowly through the plug. Replace dipstick.



**WARNING:** Temperature of muffler and nearby areas may exceed 150° F(65°C). Avoid these areas.

**Spark Plug**

- Clean area around the spark plug base.
- Remove and inspect the spark plug.
- Replace the spark plug if electrodes are pitted, burned, or the porcelain is cracked. See Figure 25 .
- Clean the spark plug and reset the gap to 0.030" at least once a season or every 50 hours of operation. See Figure 25 .
- Spark plug replacement is recommended at the start of each season. Refer to engine parts list for correct spark plug type.

**NOTE:** Do not sandblast spark plug. Spark plug should be cleaned by scraping or wire brushing and washing with a commercial solvent.

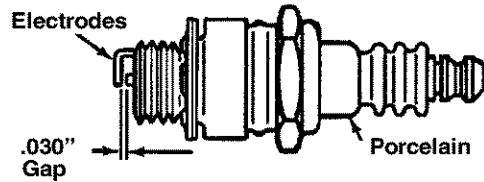


Figure 25

MAINTENANCE SCHEDULE		<i>Before each use</i> <i>After each use</i> <i>First two hours</i> <i>Every 25 hours</i> <i>Every 50 hours</i> <i>Before storage</i>						SERVICE DATES					
PRODUCT	Lubricate pivot points				✓		✓						
	Clean snow thrower		✓				✓						
	Clean shave plate				✓								
	Clean skid shoes				✓								
	Check V-belts					✓							
	Check friction wheel rubber				✓								
ENGINE	Check engine oil	✓											
	Change engine oil			✓	✓								
	Check spark plug					✓	✓						
	Check muffler					✓							
	Empty fuel system						✓						



# SERVICE & ADJUSTMENTS



**WARNING:** Always stop the engine, disconnect spark plug wire and move it away from the spark plug before performing any adjustments or repairs.

## Adjustments

### Chute Assembly

The distance that snow is thrown can be adjusted by adjusting the angle of the chute assembly. Refer to the Controls section of this manual.

- The remote chute control cables have been pre-adjusted at the factory. Move the remote chute lever on the control panel back and forward to adjust angle of the chute assembly.



**WARNING:** Never attempt to clean chute or make any adjustments while engine is running.

### Skid Shoe

The space between the shave plate and the ground can be adjusted. For close snow removal, place skid shoes in the low position. Use middle or high position when area to be cleared is uneven.

- Adjust skid shoes by loosening the four hex nuts and carriage bolts and moving skid shoes to desired position.
- Make certain the entire bottom surface of skid shoe is against the ground to avoid uneven wear on the skid shoes.
- Retighten nuts and bolts securely.

**NOTE:** It is not recommended that you operate this snow thrower on gravel as loose gravel can be easily picked up and thrown by the auger causing an injury or damage to the snow thrower.

- If for some reason, you have to operate the snow thrower on gravel, keep the skid shoe in the highest position for maximum clearance between the ground and the shave plate.

### Traction Drive Clutch

Refer to the Final Adjustment section of the Assembly instructions to adjust the traction drive clutch. To check the adjustment, proceed as follows:

- With the snow thrower tipped forward (be certain to drain the gasoline or place plastic film under the gas cap if the snow thrower has already been operated), remove the frame cover underneath the snow thrower by removing six self-tapping screws.

- With the traction drive clutch released, there must be clearance between the friction wheel and the drive plate in all positions of the shift lever.
- With the traction drive clutch engaged, the friction wheel must contact the drive plate (Figure 34).
- If adjustment is necessary, loosen the jam nut on the traction drive cable and thread the cable in or out as necessary. See Figure 26. Tighten the jam nut to secure the cable when correct adjustment is reached. Reassemble the frame cover.

**NOTE:** If you placed plastic under the gas cap, be certain to remove it.

### Auger Clutch

To adjust the auger clutch, refer to Final Adjustment section of Set-Up Instructions.

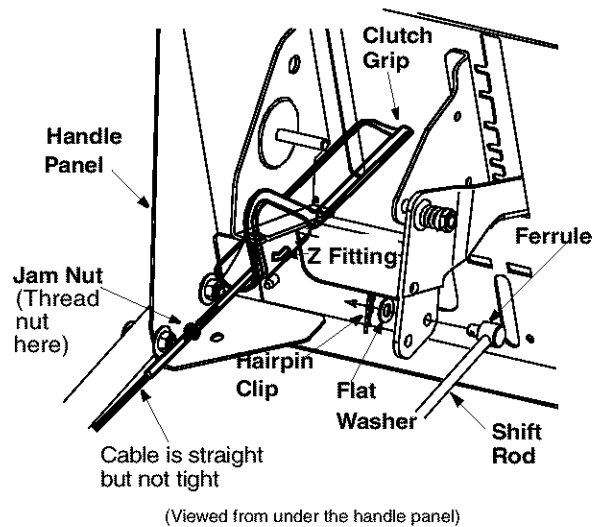


Figure 26

### Shift Rod

To adjust the shift rod, proceed as follows.

- Remove the hairpin clip and flat washer from the shift handle under the handle panel.
- Place shift lever in sixth (6) position or the fastest forward speed.
- Push shift arm assembly down as far as it will go.
- Rotate the ferrule up or down on the shift rod as necessary until the ferrule lines up with the upper hole in the shift lever. See Figure 26.
- Insert ferrule from the left side of the snowthrower into the upper hole in shift lever.
- Reinstall the hairpin clip and the washer.
- Check for correct adjustment before operating the snow thrower.

## Carburetor



**WARNING:** If any adjustments are made to the engine while the engine is running (e.g. carburetor), **keep clear** of all moving parts. **Be careful** of heated surfaces and mufflers.

Minor carburetor adjustments may be required to compensate for differences in fuel temperature, altitude and load.

## Service

### Augers

The augers are secured to the spiral shaft with two shear bolts and hex lock nuts. See Figure 27 . If you hit a foreign object or ice jam, the snow thrower is designed so that the bolts will shear. This type of nut is used where vibration occurs.

- If the augers do not turn, check to see if the bolts have sheared. Two replacement shear bolts and hex lock nuts have been provided with the snow thrower. Since lock nuts cannot be threaded onto a bolt by hand, use a wrench. When replacing bolts, spray an oil lubricant into shaft before inserting new bolts.

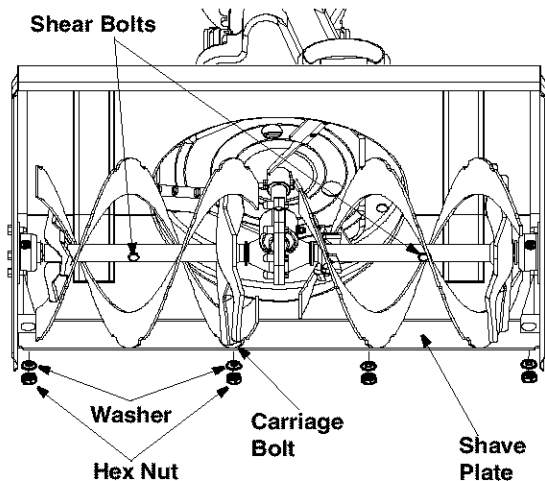


Figure 27

### Shave Plate and Skid Shoes

- The shave plate and skid shoes on the bottom of the snow thrower are subject to wear. They should be checked periodically and replaced when necessary.
- Remove the four carriage bolts, belleville washers and hex nuts which attach skid shoes to the snow thrower on two sides. See Figure 27 .
- Reassemble new skid shoes with the four carriage bolts, belleville washers (cupped side goes against skid shoes) and hex nuts. Make certain the skid shoes are adjusted to be level.

- To remove shave plate, remove carriage bolts, belleville washers and hex nuts which attach shave plate to the snow thrower housing. For location of shave plate, see Figure 27 .
- Reassemble new shave plate, making sure heads of the carriage bolts are to the inside of the housing. Tighten securely.

### Replacing Belt



**WARNING:** Disconnect the spark plug wire from the spark plug and ground.

### Auger Belts

- Remove the plastic belt cover on the front of the engine by removing the two self-tapping screws. See Figure 28 .

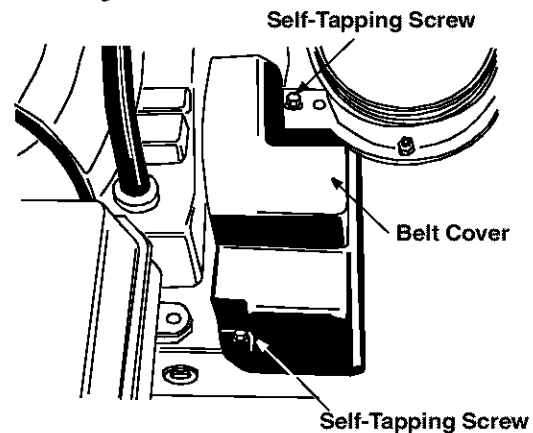


Figure 28

- Disconnect chute crank assembly at the discharge chute by removing the hairpin clip and the two flat washers. See Figure 29 .

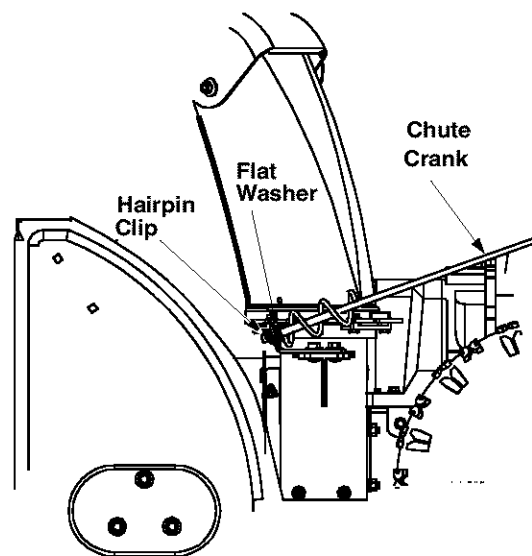


Figure 29

- Remove the six hex nuts and lock washers which attach the auger housing assembly to the frame assembly. See Figure 30.



**WARNING:** Do not attempt to change the auger belt without the help of an assistant. It is very important that one person, standing at the operating position, firmly hold the snow thrower housing to prevent it from tipping while the other person replaces the belt. Failure to comply may cause injury.

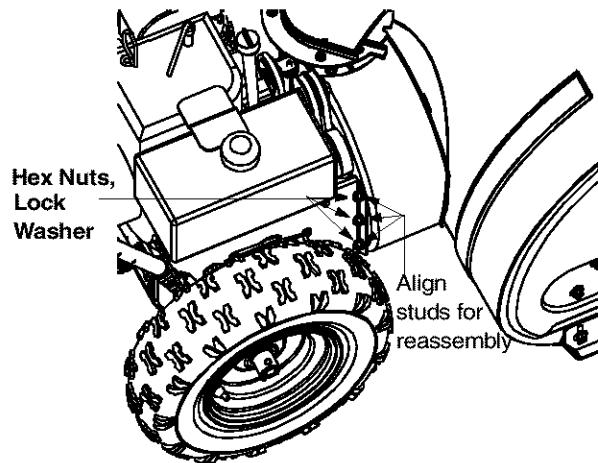


Figure 30

- Standing in the operating position, lift up on the handles and pull the frame assembly towards the rear. The frame and the housing will separate, and the rear auger belt will come off the pulley. Maintain control of the frame assembly while pulling it.
- Remove the two belts from the two engine pulleys. For location of the pulleys, see Figure 31.

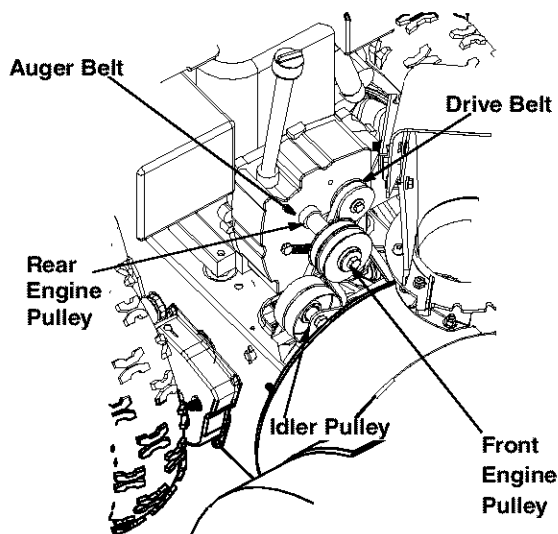


Figure 31

- To remove the front auger drive belt, push the idler pulley to the left. See Figure 32. The belt brake should move outward. Lift the front auger drive belt from the front auger pulley.

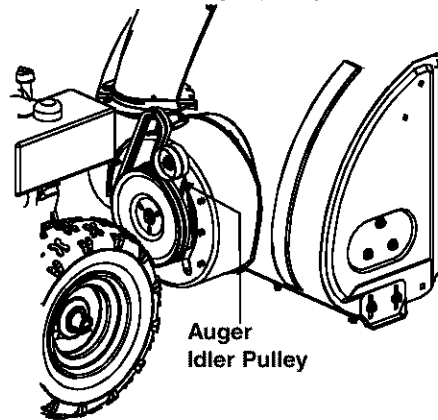


Figure 32

- Place new belts on the two auger pulleys making sure that the front auger belt is under the belt brake. Route belts under and to the left of the flat idler pulley. Hold the belts upward in this position.
- While lifting up on the handles, bring the frame assembly close to the auger housing, and place the two belts on the front and rear engine pulleys. See Figure 33.

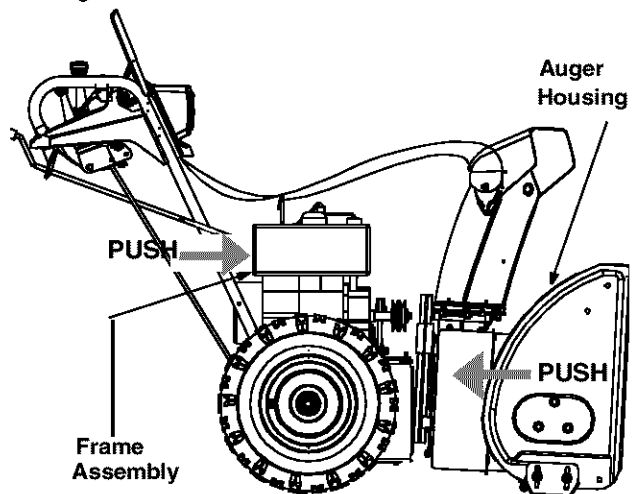


Figure 33

- Lift the frame assembly and tip the auger housing forward to align studs with the corresponding holes on both sides of the frame assembly. See Figure 30. Push the frame assembly fully on to the studs.

**NOTE:** Use care to avoid pinching the control cable.

- From the frame assembly side, insert six lock washers and hex nuts on to the studs. These pieces of hardware were removed earlier. See Figure 30. Tighten the nuts securely.

- Reinstall the belt cover on front of the engine with the two self-tapping screws and flat washers.
- Reattach the chute crank to the chute assembly with the hairpin clip and flat washer.

**NOTE:** Make sure that the auger cable is routed in front of the belt.

### Drive Belt

- Check drive belt every 50 hours of operation for wear and tear.
- Drain the gasoline from the snow thrower, or place a piece of plastic under the gas cap.
- Remove the plastic belt cover on the front of the engine by removing the two self-tapping screws.
- Tip the snow thrower up and forward, so that it rests on the housing.
- Remove six self-tapping screws from frame cover underneath the snow thrower.
- Pull the idler pulley away from the drive belt and remove the belt from the engine pulley. You will find the idler pulley in front of the engine and under the belt cover that you removed earlier. See Figure 31.
- Working from the underside of the frame, slip belt between the friction wheel and the friction wheel disc. See Figure 34. You may have to twist the belt flat in order to slide it through the clearance between the friction wheel and the friction wheel disc. Remove the belt.
- Install new belt. Reassemble following the instructions in reverse order.

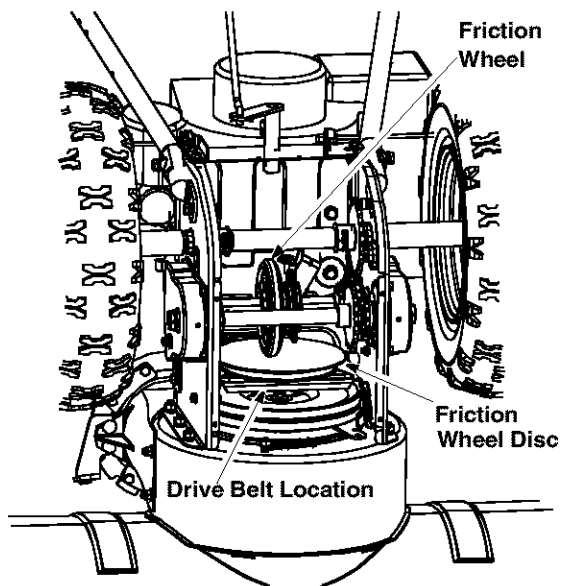


Figure 34

### Changing Friction Wheel Rubber

- Check the rubber on the friction wheel after 25 hours of operation, and periodically thereafter. Replace the rubber if any signs of wear or cracking are found.
- Drain the gasoline from the snow thrower, or place a piece of plastic under the gas cap.
- Tip the snow thrower up and forward, so that it rests on the housing.
- Remove six screws from the frame cover underneath the snow thrower.
- Remove klick pin securing the left wheel, and remove the wheel from the axle.
- Remove the four screws securing the left drive cover to the frame. Remove the drive cover from the side of the frame. See Figure 35.

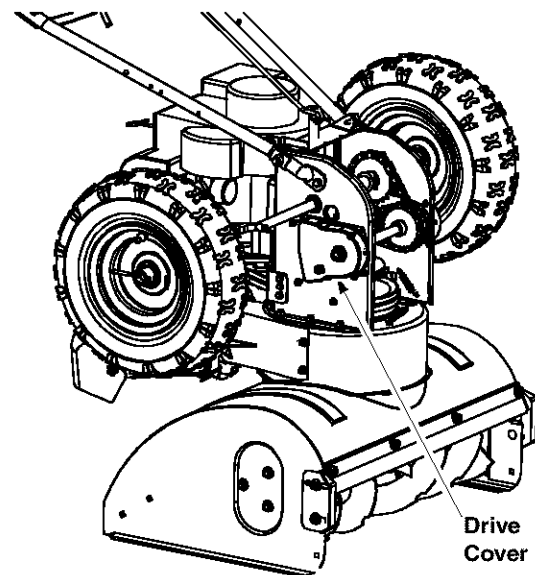


Figure 35

- Holding the friction wheel assembly, slide the hex shaft out of the left side of the unit. The spacer on the right side of the hex shaft will fall and the sprocket should remain hanging loose in the chain.
- Lift the friction wheel assembly out between the axle shaft and the drive shaft assemblies.
- Remove the four screws from the friction wheel assembly. Remove friction wheel rubber from between the friction wheel plate. See Figure 36.
- Reassemble new friction wheel rubber to the friction wheel assembly, tightening the four screws in rotation and with equal force. It is important to assemble the rubber on the friction wheel equally for proper functioning. See Figure 36.

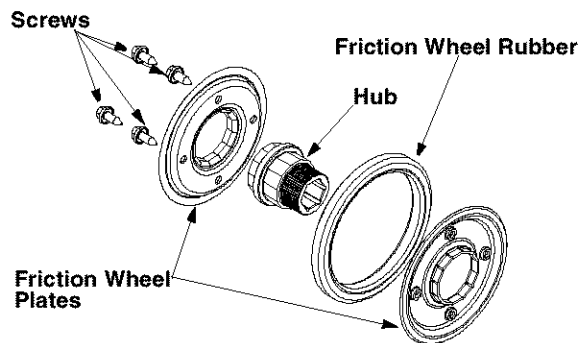


Figure 36

- Insert the pin from the shift arm assembly into the friction wheel assembly and hold assembly in position. See Figure 37.
- Slide hex shaft through left side of the housing and the friction wheel assembly.
- Insert the hex shaft through the sprocket and the spacer. See Figure 37. Make certain that chain engages both the large and the small sprocket.

**NOTE:** If the sprocket fell from the snow thrower while removing the hex shaft, place the sprocket on the hex shaft. Position the hex hub of the sprocket toward the friction wheel when sliding the sprocket on to the hex shaft. See Figure 37.

- Align the hex shaft with the right hand bearing and carefully guide the left hand bearing into the left side of the housing.
- Reassemble the drive cover with the four screws that were earlier removed.

**NOTE:** If you placed plastic under the gas cap, be certain to remove it.

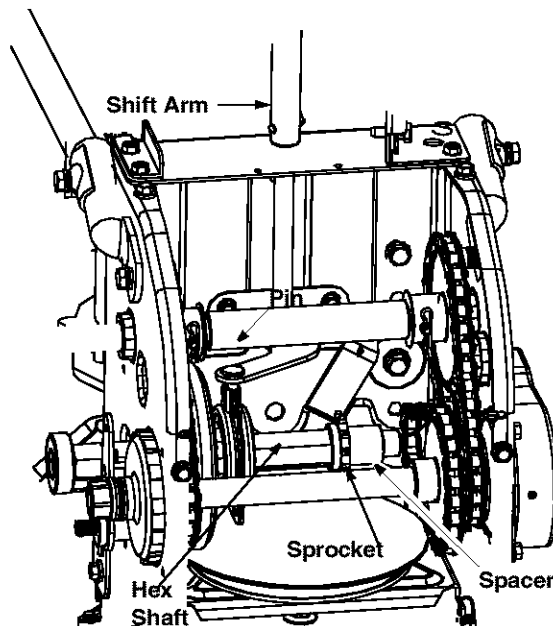


Figure 37

## Carburetor

If you think the carburetor needs to be adjusted, see your nearest authorized Sears Service Outlet. If your snow thrower is left unused for 30 days or longer, it needs to be prepared for storage. Also, at the end of the snow season, you should follow the same set of instructions and store the snow thrower properly for the off-season. Proper storage ensures longer life of the snow thrower.



**WARNING:** If any adjustments are made to the engine while the engine is running (e.g. carburetor), **keep clear** of all moving parts. Be careful of heated surfaces and muffler.

# OFF-SEASON STORAGE

If the snow thrower will not be used for 30 days or longer, or at the end of the snow season when the last possibility of snow is gone, the equipment needs to be stored properly. Follow storage instructions below to ensure top performance from the snow thrower for many more years.

## Preparing the Engine



**WARNING:** Never store snow thrower with fuel in tank indoors or in poorly ventilated areas, where fuel fumes may reach an open flame, spark or pilot light as on a furnace, water heater, clothes dryer or gas appliance.

**NOTE:** It is important to prevent gum deposits from forming in essential fuel system parts of the engine such as the carburetor, fuel filter, fuel hose or tank during storage. Also experience indicates that alcohol blended fuels (called gasohol or using ethanol or methanol) can attract moisture which leads to separation and formation of acids during storage. Acidic gas can damage the fuel system of an engine while in storage.

- To avoid engine problems, the fuel system *should be emptied* before storage for 30 days or longer. Follow these instructions to prepare your snow thrower for storage:
- Remove all gasoline from the carburetor and the fuel tank to prevent gum deposits from forming on these parts and harming the engine.

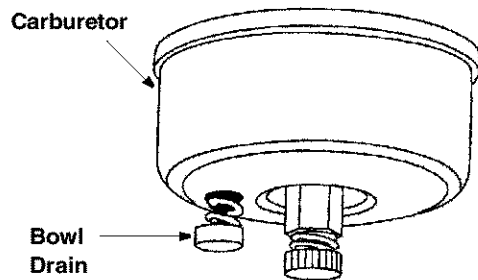


Figure 38



**WARNING:** Drain fuel into approved container outdoors, away from any open flame. Be certain engine is cool. Do not smoke.

Fuel left in engine during warm weather deteriorates and will cause serious starting problems.

- Run the engine until the fuel tank is empty and it stops due to lack of fuel.
- Drain carburetor by pressing upward on bowl drain, located below the carburetor cover. See Figure 38 .



**WARNING:** Do not drain carburetor if using fuel stabilizer. Never use engine or carburetor cleaning products in the fuel tank or permanent damage may occur.

**NOTE:** Fuel stabilizer (such as STA-BIL) is an acceptable alternative in minimizing the formation of fuel gum deposits during storage. Add stabilizer to gasoline in fuel tank or storage container. Always follow mix ratio found on stabilizer container. Run engine at least 10 minutes after adding stabilizer to allow it to reach the carburetor. Do not drain carburetor if using fuel stabilizer.

- Remove the spark plug and pour one (1) ounce of engine oil through the spark plug hole into the cylinder. Cover spark plug hole with a rag and crank the engine several times to distribute the oil. Replace spark plug.

## Preparing the Snow Thrower

- When storing the snow thrower in an unventilated or metal storage shed, care should be taken to rustproof the equipment. Using a light oil or silicone, coat the equipment, especially any chains, springs, bearings and cables.
- Remove all dirt from exterior of engine and equipment.
- Follow lubrication recommendations on page 17.
- Store in a clean, dry area.

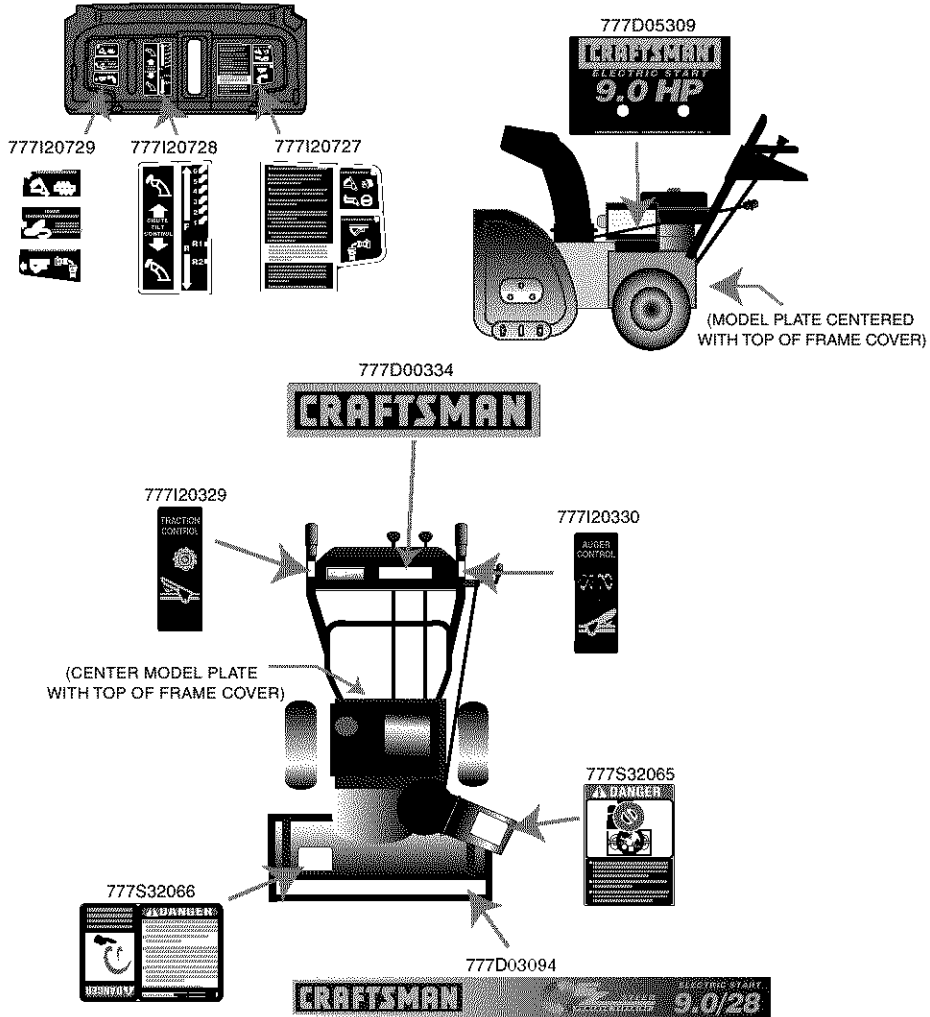
# TROUBLE-SHOOTING

Problem	Cause	Remedy
Engine fails to start.	<ol style="list-style-type: none"> <li>1. Fuel tank empty, or stale fuel.</li> <li>2. Blocked fuel line.</li> <li>3. Choke not in ON position</li> <li>4. Faulty spark plug.</li> <li>5. Safety key not in ignition switch on engine.</li> <li>6. Spark plug wire disconnected.</li> <li>7. Primer button not being used properly.</li> </ol>	<ol style="list-style-type: none"> <li>1. Fill tank with fresh gasoline.</li> <li>2. Clean the fuel line.</li> <li>3. Move switch to ON position</li> <li>4. Clean, adjust gap or replace.</li> <li>5. Insert the key fully into the switch.</li> <li>6. Connect spark plug wire.</li> <li>7. Refer to the engine manual.</li> </ol>
Engine runs erratic.	<ol style="list-style-type: none"> <li>1. Unit running on CHOKE.</li> <li>2. Blocked fuel line or stale fuel.</li> <li>3. Water or dirt in fuel system.</li> <li>4. Carburetor out of adjustment.</li> </ol>	<ol style="list-style-type: none"> <li>1. Move choke lever to OFF position.</li> <li>2. Clean fuel line and fill tank with clean, fresh gasoline.</li> <li>3. Drain fuel tank and carburetor. Refill with fresh fuel.</li> <li>4. Refer to the engine manual.</li> </ol>
Loss of power.	<ol style="list-style-type: none"> <li>1. Spark plug wire loose.</li> <li>2. Gas cap vent hole plugged.</li> <li>3. Exhaust port plugged.</li> </ol>	<ol style="list-style-type: none"> <li>1. Connect and tighten spark plug wire.</li> <li>2. Remove ice and snow from gas cap. Be certain vent hole is clear.</li> <li>3. Refer to the engine manual.</li> </ol>
Engine overheats.	<ol style="list-style-type: none"> <li>1. Carburetor not adjusted properly.</li> </ol>	<ol style="list-style-type: none"> <li>1. Refer to the engine manual or have the carburetor adjusted by an authorized engine service dealer.</li> </ol>
Excessive vibration.	<ol style="list-style-type: none"> <li>1. Loose parts or damaged auger.</li> </ol>	<ol style="list-style-type: none"> <li>1. Stop engine immediately and disconnect spark plug wire. Tighten all bolts and nuts. If vibration continues, have unit serviced by an authorized service dealer.</li> </ol>
Unit fails to propel itself.	<ol style="list-style-type: none"> <li>1. Traction control cable in need of adjustment.</li> <li>2. Drive belt loose or damaged.</li> </ol>	<ol style="list-style-type: none"> <li>1. Adjust traction control cable. Refer to Adjustments.</li> <li>2. Replace drive belt.</li> </ol>
Unit fails to discharge snow.	<ol style="list-style-type: none"> <li>1. Discharge chute clogged.</li> <li>2. Foreign object lodged in auger.</li> <li>3. Auger control cable in need of adjustment.</li> <li>4. Auger belt loose or damaged.</li> <li>5. Shear bolt(s) sheared.</li> </ol>	<ol style="list-style-type: none"> <li>1. Stop engine immediately and disconnect spark plug wire. Clean discharge chute and inside of auger housing.</li> <li>2. Stop engine immediately and disconnect spark plug wire. Remove object from auger.</li> <li>3. Refer to Final Adjustments in Assembly Section.</li> <li>4. Refer to Adjustments.</li> <li>5. Replace shear bolt(s).</li> </ol>



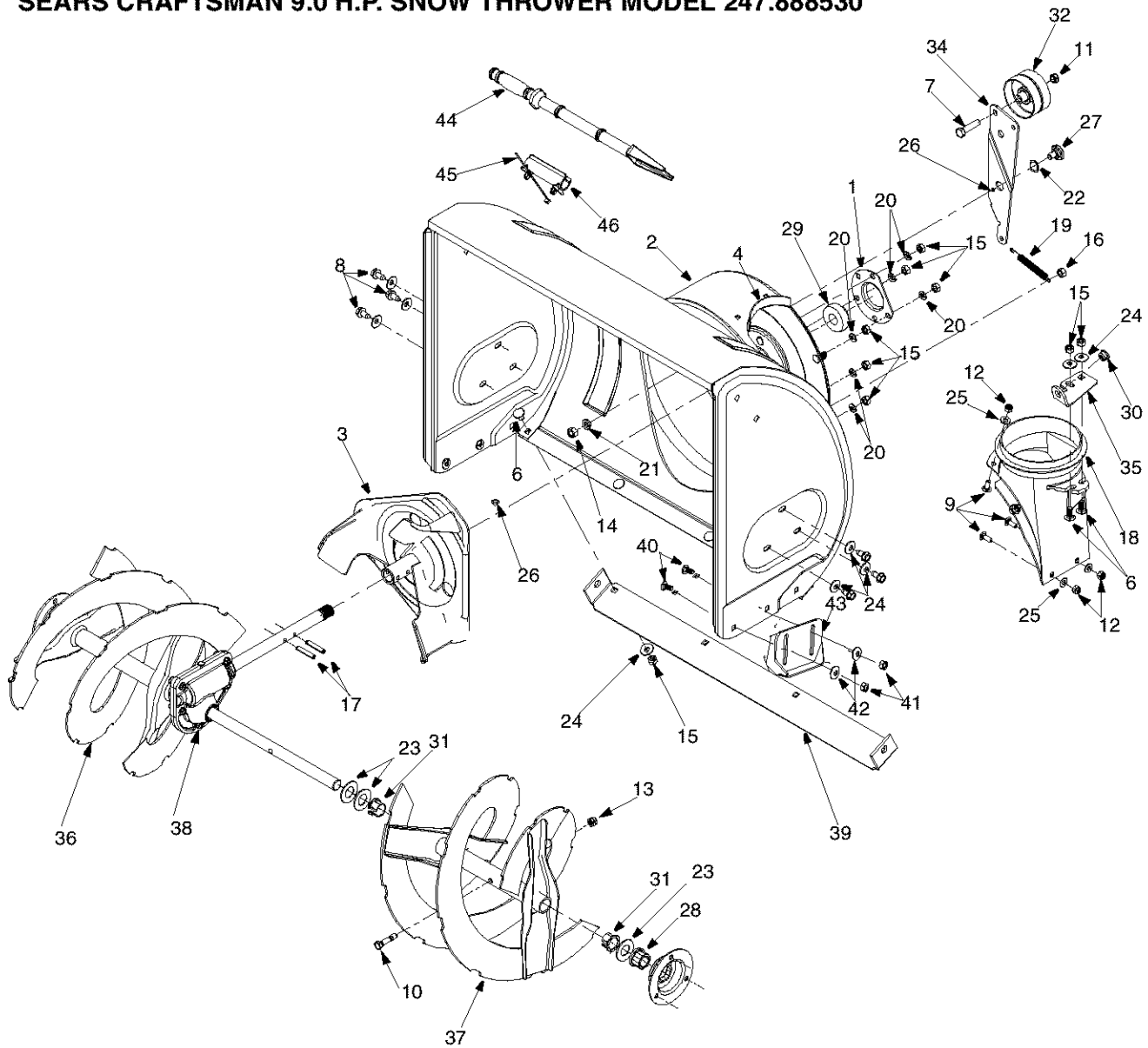
**NOTE:** For repairs beyond the minor adjustments listed above, please contact your nearest SEARS service center.

# LABELS LIST & LOCATION



# REPAIR PARTS

## SEARS CRAFTSMAN 9.0 H.P. SNOW THROWER MODEL 247.888530



**NOTE:** For **painted parts**, please refer to the list of color codes below. Please add the applicable color code, wherever needed, to the part number to order a replacement part. For instance, if a part, numbered 700-xxxx, is painted polo green, the part number to order would be 700-xxxx-0689.

Polo Green: 0689  
 Powder Black: 0637

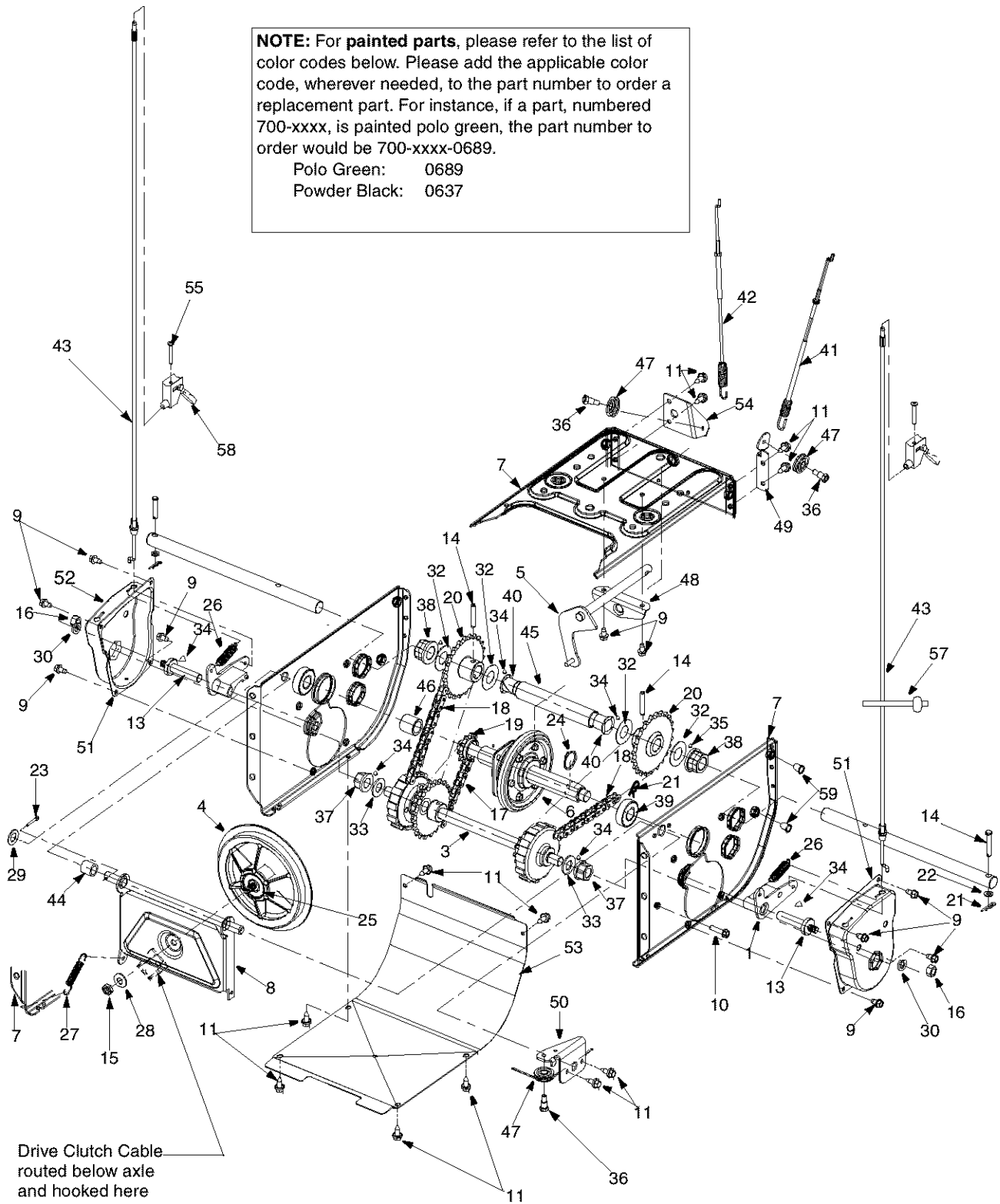
**SEARS CRAFTSMAN 9.0 H.P. SNOW THROWER MODEL 247.888530**

Key. No.	Part No.	Description	Key. No.	Part No.	Description
1.	05931A	Bearing Housing	24.	736-0242	Belleville Washer
2.	684-0041D	Auger Housing Assy. 28"	25.	736-0463	Flat Washer
3.	684-0065	Impeller Assy. 12" dia.	26.	737-0318	Grease
4.	705-5226	Chute Reinforcement	27.	738-0281	Shoulder Screw
6.	710-0451	Carriage Bolt 5/16-18 x .75" Gr.2	28.	741-0245	Hex Flange Bearing
7.	710-0459A	Hex Screw 3/8-24 x 1.5" Gr.5	29.	741-0309	Flange Ball Bearing
8.	710-0604A	Hex Washer Head Self-Tapping Screw 5/16-18 x .62"	30.	741-0475	Bushing
9.	710-0703	Carriage Screw 1/4-20 x .75"	31.	741-0493A	Flange Bushing
10.	710-0890A	Shear Bolt 5/16-18 x 1.5"	32.	756-0178	Flat Idler
11.	712-0116	Jam Nut 3/8-24	34.	784-5632A	Auger Idler Arm
12.	712-0324	Hex Lock Nut 1/4-20	35.	784-5647	Chute Crank Bracket
13.	712-0429	Hex Lock Nut 5/16-18	36.	605-5196A	Spiral Assembly: RH 28"
14.	712-0798	Hex Nut 3/8-16 Gr.2	37.	605-5197A	Spiral Assembly: LH 28"
15.	712-3010	Hex Nut 5/16-18 Gr.5	38.	618-0122A	Gear Assembly: Auger 28"
16.	912-3009	Hex Patch Nut 5/16-18	39.	784-5582A	Shave Plate: Auger 28"
17.	715-0114	Spiral Pin	40.	710-0451	Carr. Bolt: 5/16-18 x 0.75
18.	731-1379C	Chute Adapter	41.	712-3010	Hex Nut: 5/16-18 Gr.5
19.	732-0611	Extension Spring	42.	736-0242	Belleville Washer
20.	736-0119	Lock Washer	43.	784-5580	Slide Shoe
21.	736-0169	Lock Washer	44.	731-2643	Chute Clean-Out Tool
22.	736-0167	Flat Washer	45.	725-0157	Cable Tie
23.	736-0188	Flat Washer	46.	731-2635	Clean-Out Tool Mount

# SEARS CRAFTSMAN 9.0 H.P. SNOW THROWER MODEL 247.888530

**NOTE:** For painted parts, please refer to the list of color codes below. Please add the applicable color code, wherever needed, to the part number to order a replacement part. For instance, if a part, numbered 700-xxxx, is painted polo green, the part number to order would be 700-xxxx-0689.

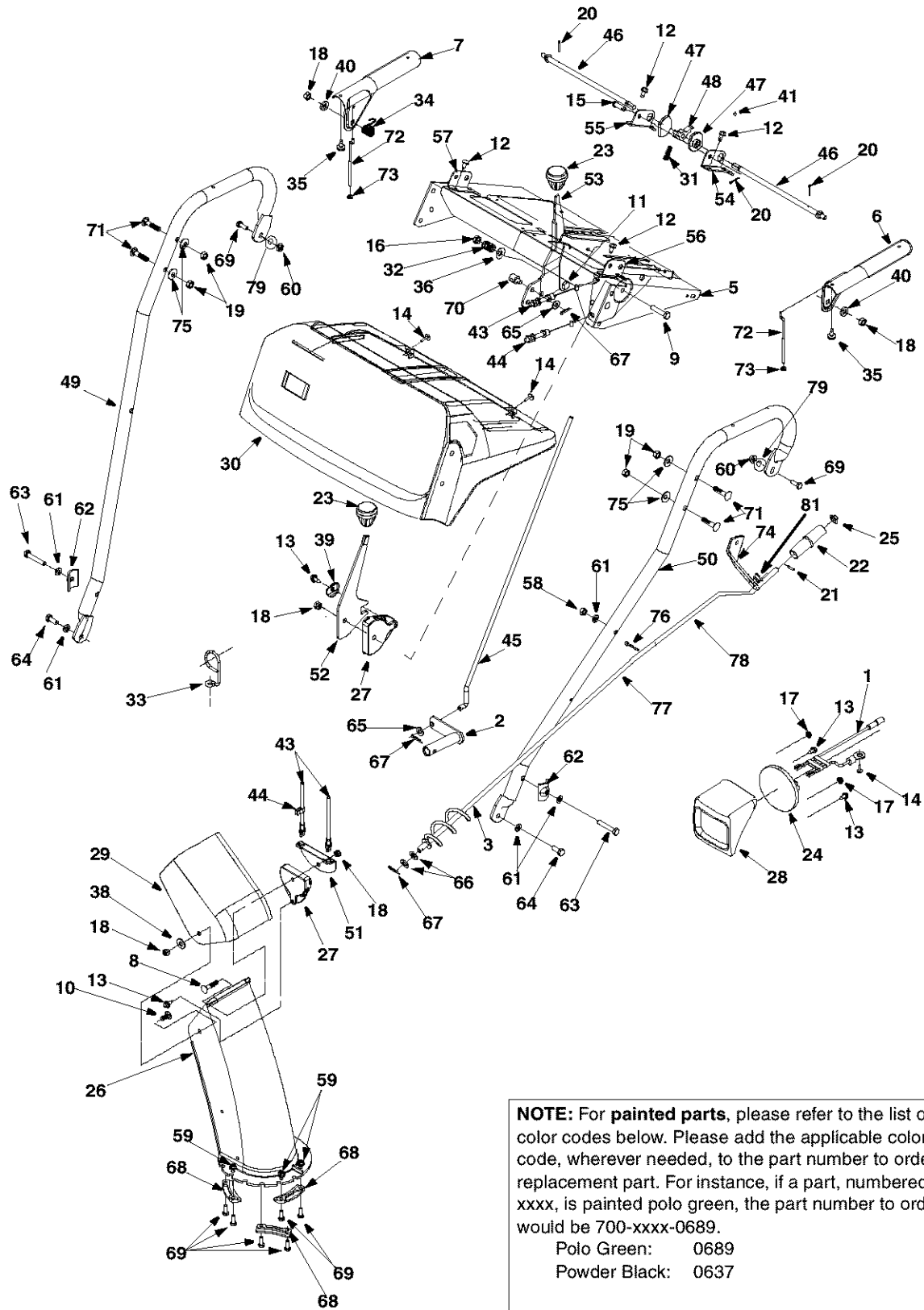
Polo Green: 0689  
 Powder Black: 0637



## SEARS CRAFTSMAN 9.0 H.P. SNOW THROWER MODEL 247.888530

Key No.	Part No.	Description	Key No.	Part No.	Description
1.	618-0043	Dogg Assembly RH	30.	736-0169	Lock Washer
2.	618-0044	Dogg Assembly LH	32.	736-0351	Flat Washer
3.	618-0575	Shift Assembly: Steerable Drive	33.	736-0626	Flat Washer
4.	656-0012A	Friction Wheel Disc Assy.	35.	737-0318	Grease
5.	684-0014B	Shift Rod Assembly	36.	738-0924	Shoulder Screw
6.	684-0042C	Bearing	37.	741-1111	Hex Flange Bearing
7.	784-5731B	Transmission Frame	38.	741-04026	Hex Flange Bearing
8.	684-0131A	Support Bracket Assembly	39.	741-0600	Ball Bearing
9.	710-0599	TT Screw 1/4-20 x 0.5"	40.	741-0701	Flange Bushing
10.	710-0809	TT Screw 1/4-20 x 1.25"	41.	746-0897	Auger Clutch Cable
11.	710-1652	TT Screw 1/4-20 x .625"	42.	746-0898B	Drive Clutch Cable
12.	711-1267	Drive Shaft	43.	746-0956	Steering Cable
13.	711-1268	Actuator Shaft	44.	748-0190	Spacer
14.	711-1364	Pin	45.	750-1161A	Support Tube: Axle
15.	712-0711	Jam Nut 3/8-24 Gr.8	46.	750-1162	Spacer
16.	712-3017	Hex Nut: 3/8-16	47.	756-0625	Roller Cable
17.	713-0233	Chain	48.	784-5590	Shift Bracket
18.	713-0374	Chain	49.	784-5687A	Auger Clutch Cable Guide Bracket
19.	713-0413	Sprocket: 10T	50.	784-5689A	Front Support Guide Bracket
20.	713-0472	Sprocket	51.	784-5730A	Retaining Shaft: Actuator Drive RH
21.	714-0507	Cotter Pin	52.	784-5740	Retaining Shaft: Actuator Drive LH
22.	736-0142	Flat Washer	53.	784-5732	Frame Cover
23.	714-0474	Cotter Pin	54.	784-5733	Roller Bracket: Drive Cable
24.	716-0102	Snap Ring	55.	710-1233	Oval C-Sunk Machine Screw
25.	721-0263	Adhesive: Loctite™			
26.	732-0209	Extension Spring	57.	725-0157	Cable Tie
27.	732-0264	Extension Spring	58.	746-0950	Turn Trigger
28.	736-0105	Bell Washer	59.	712-0703A	Nut Insert
29.	736-0160	Flat Washer			

# SEARS CRAFTSMAN 9.0 H.P. SNOW THROWER MODEL 247.888530



**NOTE:** For **painted parts**, please refer to the list of color codes below. Please add the applicable color code, wherever needed, to the part number to order a replacement part. For instance, if a part, numbered 700-xxxx, is painted polo green, the part number to order would be 700-xxxx-0689.

Polo Green:	0689
Powder Black:	0637

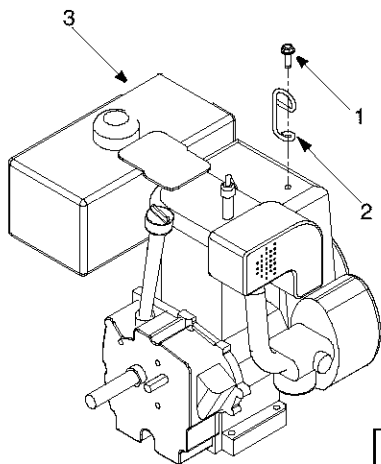


## SEARS CRAFTSMAN 9.0 H.P. SNOW THROWER MODEL 247.888530

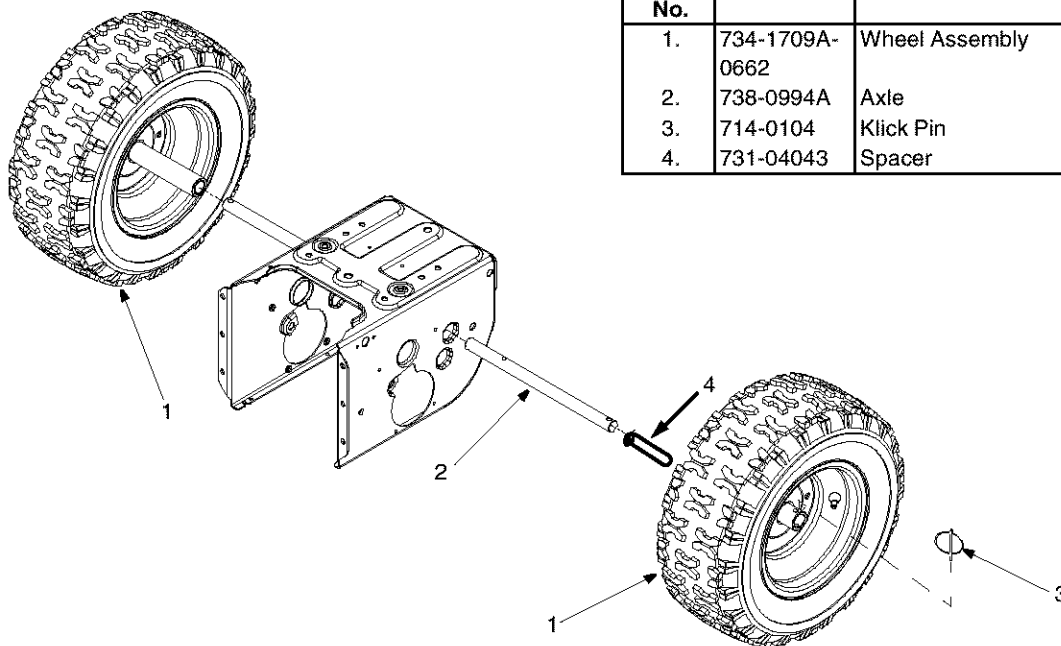
Key No.	Part No.	Description	Key No.	Part No.	Description
1	629-0058	Harness for Headlight	43	746-0896	Chute Deflector Control Cable
2	684-0008A	Shift Arm Assembly	44	746-0901	Chute Deflector Cable w/ Clip
3	684-0053B	Lower Chute Crank Assembly	45	747-0798A	Shift Rod
4	684-0066	Hardware Pack*	46	747-0877	Cam Rod
5	684-0102	Handle Panel Assembly w/ Tilt	47	748-0362	Cam Handle Lock
6	684-0111A	Handle Assembly Engagement LH	48	748-0363	Pawl Handle lock
7	684-0112	Handle Assembly Engagement RH	49	749-0908A	Right Handle
8	710-0262	Carriage Bolt 5/16-18 x 1.50	50	749-0909	Left Handle
9	710-0442	Hex Bolt 5/16-18 x 1.5	51	784-5594	Cable Bracket
10	710-0451	Carriage Bolt 5/16-18 x.75	52	784-5604	Chute Tilt Handle
11	710-0459	Hex Screw 3/8-24 x 1.5	53	784-5619A	Shift Handle
12	710-0599	TT Screw 1/4-20 x 0.5"	54	784-5679	Handle Support Bracket 5/8 LH
13	710-0896	Hex AB Tap Screw 1/4 x .62	55	784-5680	Handle Support Bracket 5/8 RH
14	710-1003	Hex B-Tapp Screw # 10-16 x .62	56	784-5681	Handle Support Bracket 3/8 LH
15	711-0653	Clevis Pin	57	784-5682	Handle Support Bracket 3/8 RH
16	712-0116	Hex Ins. Lock Nut 3/8-24	58	712-3068	Lock Nut 5/16-18 Thd.
17	712-0415	Self-Threading Nut	59	712-3027	Hex Flange Locked Nut 1/4-20 Thd.
18	712-0429	Lock Nut 5/16-18	60	712-0287	Hex Nut 1/4-20
19	712-3068	Lock Nut 5/16-18	61	736-0119	Lock Washer 5/16
20	714-0104	Cotter Pin	62	784-5599	Handle Tab
21	715-0138	Roll Pin	63	710-04039	Hex Bolt 5/16-18 x 2.0"
22	720-0201A	Chute Crank Knob	64	710-1880	Hex Bolt 5/16-18 x 0.75"
23	720-0300	Shift Knob	65	736-0275	Flat Washer 5/16
24	725-1300	Headlight	66	736-0185	Flat Washer 3/8 x .738 x .063"
25	726-0100	Push Cap	67	714-0104	Hairpin Clip
26	731-1300A	Lower Chute	68	731-0851A	Chute Flange Keeper
27	731-1313B	Cable Guide	69	710-3015	Hex Bolt 1/4-20 x 0.75"
28	731-1317	Headlight Bezel	70	711-0677	Ferrule
29	731-1320	Upper Chute	71	710-0262	Carriage Bolt 5/16-18 x 1.50
30	731-1773A	Handle Panel	72	746-0778	Z Fitting
31	732-0145	Compression Spring	73	712-0121	Hex Nut # 10-24
32	732-0193	Compression Spring	74	705-5266	Chute Crank Reinforcement Bracket
33	732-0705	Cable Control Wire	75	736-0242	Cupped Washer
34	732-0746	Torsion Spring	76	714-0101	Hairpin Clip
35	735-0199A	Rubber Bumper	77	750-0785	Spacer
36	736-0105	Bell Washer .380 x .880 x .062	78	747-0737	Upper Chute Crank
37	736-0159	Washer 5/6 I.D.	79	736-0270	Bell Washer
38	736-0506	Special Washer	80	715-0138	Roll Pin
39	736-0509	Special Washer	81	741-0475	Plastic Bushing
40	737-0133	Grease			

\* Includes references 19 and 58 through 75

# SEARS CRAFTSMAN 9.0 H.P. SNOW THROWER MODEL 247.888530



Key. No.	Part No.	Description
1.	712-0324	Hex Lock Nut: 1/4-20
2.	732-0705	Cable Guide
3.	—	Craftsman Engine model 143.039001



Key. No.	Part No.	Description
1.	734-1709A-0662	Wheel Assembly
2.	738-0994A	Axle
3.	714-0104	Klick Pin
4.	731-04043	Spacer



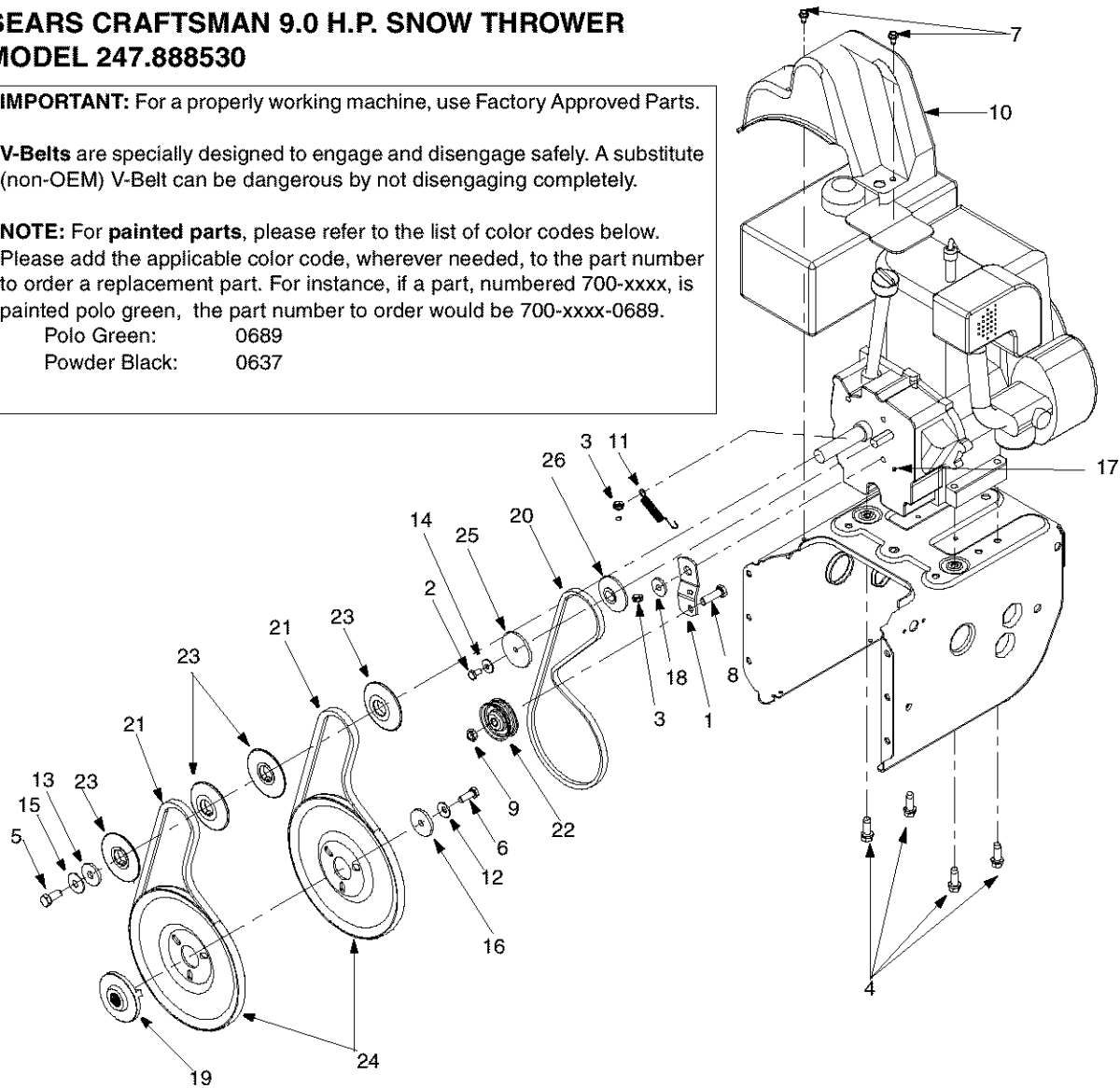
# SEARS CRAFTSMAN 9.0 H.P. SNOW THROWER MODEL 247.888530

**IMPORTANT:** For a properly working machine, use Factory Approved Parts.

**V-Belts** are specially designed to engage and disengage safely. A substitute (non-OEM) V-Belt can be dangerous by not disengaging completely.

**NOTE:** For **painted parts**, please refer to the list of color codes below. Please add the applicable color code, wherever needed, to the part number to order a replacement part. For instance, if a part, numbered 700-xxxx, is painted polo green, the part number to order would be 700-xxxx-0689.

Polo Green: 0689  
Powder Black: 0637



Key No.	Part No.	Description	Key No.	Part No.	Description
1.	05896A	Idler Bracket	14.	736-0270	Bell Washer
2.	710-0230	Hex Bolt 1/4-28 x 0.5" Gr.5	15.	736-0331	Bell Washer
3.	710-0627	Hex Screw w/ patch: 5/16-24 x 0.75"	16.	736-0505	Flat Washer
4.	710-0654A	Hex Washer Head TT Sems Screw	17.	737-0318	Grease
5.	710-0696	Hex Bolt 3/8-24 x .875" Gr.8	18.	748-0234	Shoulder Spacer
6.	710-1245B	Hex Screw w/ Patch: 5/16-24 x .875"	19.	748-0360	Adapter Pulley
7.	710-1652	Hex Washer Head TT	20.	754-0346	V-Belt
8.	710-3005	Hex Screw: 3/8-16 x 1.0"	21.	754-0430B	Belt
9.	712-0181	Top Lock Jam Nut: 3/8-16	22.	756-0313	Flat Idler
10.	731-1324	Belt Cover	23.	756-0569	Pulley Half
11.	732-0710	Extension Spring	24.	756-0967	Auger Pulley
12.	736-0242	Belleville Washer	25.	756-0986	Pulley Half
13.	736-0247	Flat Washer	26.	756-0987	Pulley Half



## Craftsman Engine Model No. 143.039001 for Craftsman Snow Thrower Model 247.888530

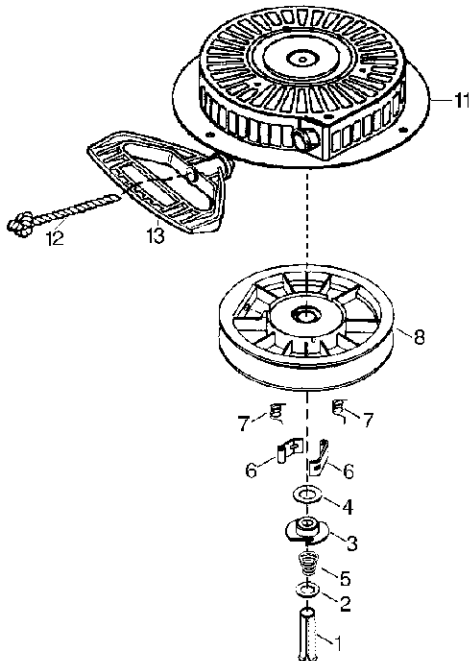
Key No.	Part No.	Description	Qty.	Key No.	Part No.	Description	Qty.
1	35385	Cylinder	1	92	650880	Belleville Washer	1
2	27652	Dowel Pin	2	93	650881	Flywheel Nut	1
3	650820	Screw	2	100	35135	Solid State Ignition	1
4	—	Oil Drain Extension	1	101	610118	Spark Plug Cover	1
5	30969	Extension Cap	1	102	651024	Solid State Mounting Stud	2
14	28277	Washer	1	103	651007	Screw, Torx	2
15	30699C	Governor Rod	1	110	35187	Ground Wire	1
15A	30700	Governor Yoke	1	110A	37047	Ground Wire	1
15B	650494	Screw	1	119	36448	Cylinder Head Gasket	1
16	33454	Governor Lever	1	120	36449	Cylinder Head	1
17	29916	Governor Lever Clamp	1	125	27878A	Exhaust Valve (Std.)	1
18	651028	Screw, Torx	1	125	27880A	Exhaust Valve (1/32" Os)	1
19	34663	Speed Control Spring	1	126	34035	Intake Valve(Std.)	1
20	35319	Oil Seal	1	127	650691	Washer	2
25	36460	Blower Housing Baffle	1	130	6021A	Screw	7
26	650561	Screw	2	130A	650727	Screw	2
28	30322	Lock Nut	1	130B	651055	Screw	2
30	35980A	Crankshaft	1	135	35395	Resistor Spark Plug	1
35	29826	Screw	1	139	33369	Governor Gear Bracket	1
36	29918	Lock Washer	1	140	650836	Screw	2
37	29216	Lock Nut	1	149	27882	Valve Spring Cap	1
38	29642	Retaining Ring	1	149A	35862	Valve Spring Cap	1
40	40011	Piston, Pin & Ring Set (Std.)	1	150	27881	Valve Spring	2
40	40012	Piston, Pin & Ring Set (.010" OS)	1	151	32581	Valve Spring Keeper	2
41	40009	Piston, & Pin Ass'y.(Std.)	1	169	27896A	Valve Cover Gasket	1
41	40010	Piston, & Pin Ass'y.(.010" OS)	1	170	28423	Breather Body	1
42	40013	Ring Set (Std.)	1	171	28424	Breather Element	1
42	40014	Ring Set (.010" OS)	1	172	28425	Valve Cover	1
43	27888	Piston Pin Retaining Ring	2	173	35350	Breather Tube	1
45	36897	Connecting Rod Ass'y.	1	174	650128	Screw	2
47	651033	Connecting Rod Bolt	2	178	29752	Nut & Lock Washer	2
48	34034	Valve Lifter	2	182	30088A	Screw	2
49	36896	Oil Dipper	1	183	34587A	Choke Bracket	1
50	36655	Camshaft (MCR)	1	184	33263	Carburetor to intake	1
60	33273A	Blower Housing Extension	1			pipe gasket	
65	650128	Screw	1	185	33877	Intake Pipe	1
69	35262A	Cylinder Cover Gasket	1	186	34667	Governor Link	1
70	35445A	Cylinder Cover	1	186B	36652	Choke Spring	1
71	35377	Crankshaft Bushing	1	200	34677	Control Bracket	1
75	35319	Oil seal	1	203	31342	Compression Spring	1
76	28926	Camshaft Seal	1	204	651029	Torx. Screw	1
80	31845	Governor Shaft	1	206	610973	Terminal	1
81	30590A	Washer	1	207	33878	Throttle Link	1
82	35378	Governor Gear Asss'y.	1	209	650821	Screw	2
83	30588A	Governor Spool	1	215	35440	Control Knob	1
84	29193	Retaining Ring	1	219	34586	Choke Rod	1
86	650833	Screw	7	220	35438	Choke Knob	1
87	650832	Screw	1	222	28820	Screw	2
89	32589	Flywheel Key	1	223	650378	Screw, Torx	2
90	611093	Flywheel (W/ Ring Gear)	1	224	27915A	Intake Pipe Gasket	1

# Craftsman Engine Model No. 143.039001 for Craftsman Snow Thrower Model 247.888530

Table continued from previous page

Key No.	Part No.	Description	Qty.	Key No.	Part No.	Description	Qty.
260	35447A	Blower Housing	1	325	29443	Wire Clip	1
261	650788	Screw	2	327	35392	Starter Plug	1
262	29747B	Screw, Torx	2	328	35593	Ignition Key	2
264A	650802	Screw	1	329	610973	Terminal	1
265	33272B	Cylinder Head Cover	1	335	35057A	Carburetor Cover	1
275	35056	Muffler	1	336	650765	Screw	1
276	31588	Locking Plate	1	338	28942	Screw	2
277	651002	Screw	2	340	34154	Fuel Tank Bracket	1
281	33013	Starter Bubble Cover	1	341	34155	Fuel Tank Bracket	1
282	650760	Screw	1	342	650561	Screw	1
285	35985B	Starter Cup	1	343	35079	Key Switch Bracket	1
287	29752	Nut & Lock Washer	4	343A	651060	Screw	1
291	30962	Fuel Line	1	350	570682A	Primer Bulb	1
292	26460	Fuel Line Clamp	4	351	32180C	Primer Line	1
298	650665	Screw	2	355	590574	Starter Handle	1
300	34156A	Fuel Tank	1	364	33377	Carburetor Cover Bracket	1
301	35355	Fuel Cap	1	365	650767	Screw	2
305	35554	Oil Fill Tube	1	370C	36501	Primer Decal	1
307	35499	"O" Ring	1	370H	35077	Choke Decal	1
308	35540	Fill Tube Clip	1	370I	35878	Warning Decal	1
310	36205	Dipstick	1	380	640052	Carburetor	1
314	650873	Screw	1	390	590749	Rewind Starter	1
315	611111	Alternator Coil	1	396	37000	Electric Starter Motor	1
322	611117	Connector Body	1	400	36450A	Gasket Set	1
323	611118	Terminal	1	900	—	Replacement Engine—none	0
				900	—	Short Block 756325C	

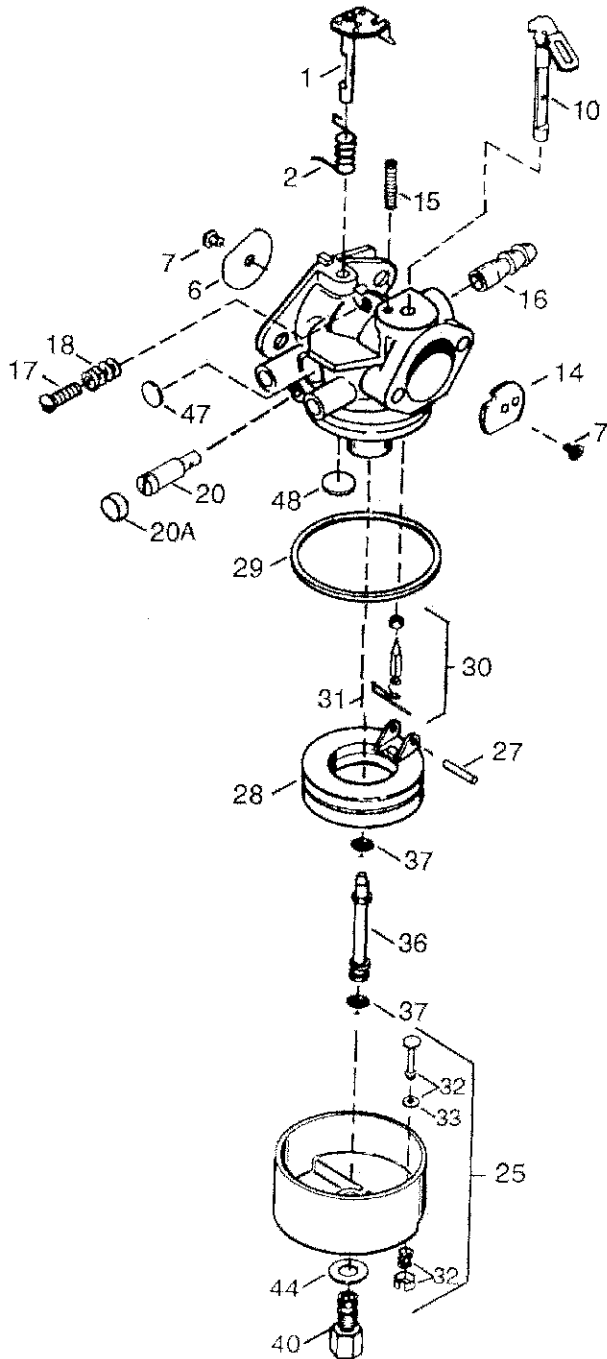
## Recoil Starter



Key No.	Part No.	Description	Qty.
0	590749	Rewind Starter	1
1	590599A	Spring Pin (Incl. 4)	1
2	590600	Washer	1
3	590679	Retainer	1
4	590601	Washer	1
5	590678	Brake Spring	1
6	590680	Starter Dog	2
7	590412	Dog Spring	2
8	590682	Pulley & Rewind Spring Ass'y.	1
11	590750A	Starter Housing Ass'y.	1
12	590535	Starter Rope (Length 98" x 9/64" Dia.)	1
13	590574	Mitten Grip Handle (Not Included With Starter)	1

**Craftsman Engine Model No. 143.039001 for Craftsman  
Snow Thrower Model 247.888530**

**CARBURETOR**



Key No.	Part No.	Description	Qty.
0	640052	Carburetor (Incl. 184 of Engine Parts List)	1
1	631776A	Throttle Shaft & Lever Ass'y.	1
2	631970	Throttle Return Spring	1
6	631778	Throttle Shutter	1
7	650506	Shutter Screw	2
10	632112	Choke Shaft & Lever Ass'y.	1
14	632174	Choke Shutter	1
15	630735	Choke Positioning Spring	1
16	632164	Fuel Fitting	1
17	650417	Throttle Crack Screw/Idle Speed Screw	1
18	630766	Tension Spring	1
20	640016	Idle Restrictor Screw	1
20A	640053	Idle Restrictor Screw Cap	1
25	631951	Float Bowl Ass'y. (Incl. 32 & 33)	1
27	631024	Float Shaft	1
28	632019	Float	1
29	631028	Float Bowl "O" Ring	1
30	631021	Inlet Needle, Seat & Clip (Incl. 31)	1
31	631022	Spring Clip	1
32	27136A	Bowl Drain Ass'y.	1
33	27554	Drain Plunger Gasket	1
36	640005	Main Nozzle Tube	1
37	632547	O Ring	2
40	640055	High Speed Bowl Nut	1
44	27110	Bowl Nut Washer	1
47	630748	Welch Plug, Idle Mix. Well	1
48	631027	Welch Plug, Atmospheric Vent	1
—	632760	Repair Kit	1



# GARANTIA DE INFORMACIÓN

Por un año desde la fecha de compra cuando este expulsor de nieve Craftsman sea mantenido, lubricado y puesto a punto de acuerdo con las instrucciones de operación y mantenimiento en el manual del propietario, Sears reparará libre de costo cualquier defecto de material o de mano de obra.

Esta garantía se aplica por 30 días solamente a partir de la fecha de compra, si el expulsor de nieve se usa para fines comerciales o de alquiler.

Esta garantía no cubre:

Artículos desechables que se desgastan durante el uso normal, tales como zapatas deslizantes, placa raspadora y bujías.

Reparaciones necesarias a causa de abuso o negligencia por parte del operador, incluyendo cigüeñes doblados y la falla en mantener el equipo de acuerdo con las instrucciones contenidas en el manual del propietario.

El servicio de garantía esta disponible si se devuelve el expulsor de nieve Craftsman al centro/departamento de servicio de Sears mas cercano en los estados unidos.

Esta garantía se aplica solamente mientras este producto esté en uso en los Estados Unidos.

Esta garantía le otorga derechos legales especificos y usted puede también tener otros derechos que varían de Estado a Estado.

Sears, Roebuck and Co., D817/WA, Hoffman Estates, IL 60179

## Especificaciones Del Producto

Caballos de Fuerza: ..... 9  
Desplazamiento ..... 19.43 pies.cub.  
Capacidad de Combustible ..... 4 cuartos  
Bujía ..... RJ-19LM  
Motor ..... Modelo 143.039001

**Numero De Modelo** ..... 247.888530

**Numero De Serie** .....

Fecha De Compra .....

Los numeros de modelo y de serie se encuentran en el rotulo pegado al amazon del expulsor de nieve.

Usted deberia registrar el numero de serie y la fecha de compra y guardarios en un lugar seguro para referencia futura.

# PRACTICAS SEGURAS DE OPERACION



**ADVERTENCIA:** Este símbolo indica importantes instrucciones de seguridad las cuales, si no se respetan, podrían poner en peligro la seguridad personal y/o bienes suyos o de terceros. Lea y siga todas las instrucciones que aparecen en este manual antes de intentar operar esta máquina. La falta de cumplimiento con estas instrucciones podría resultar en lesiones personales. Cuando vea este símbolo - **haga caso a su advertencia.**



**ADVERTENCIA:** El escape del motor, algunos de sus componentes, y determinados componentes del vehículo contienen o emiten sustancias químicas que de acuerdo con el Estado de California, causan cáncer y defectos de nacimiento u otros daños reproductivos.

**PELIGRO:** Esta máquina fue construida para ser operada de acuerdo con las normas de operación segura contenidas en este manual. Al igual que con cualquier tipo de equipo eléctrico, la falta de atención o los errores por parte del operador pueden resultar en lesiones graves. Esta máquina puede llegar a amputar manos y pies y arrojar objetos. La falta de observancia de las instrucciones de seguridad podría resultar en lesiones graves o la muerte

## Capacitación

1. Lea, comprenda, y siga todas las instrucciones que aparecen en la máquina y en el manual o en los manuales antes de intentar ensamblarla y operarla. Guarde este manual en un lugar seguro para consultarlo en un futuro de manera regular y para solicitar las piezas de repuesto.
2. Familiarícese con todos los controles y su operación. Sepa cómo detener la máquina y desenganchar los controles.
3. Nunca permita que los niños menores de 14 años de edad operen esta máquina. Los niños de 14 años de edad y de mayor edad deben leer y comprender las instrucciones de funcionamiento y las normas de seguridad contenidas en este manual y deben capacitarse en su uso y ser supervisados por uno de los padres.
4. Nunca permita que los adultos operen esta máquina sin la instrucción adecuada.
5. Los objetos arrojados pueden causar lesiones personales graves. Planifique un patrón para arrojar nieve con el propósito de evitar descargar el material hacia las calles, transeúntes, etc.
6. Mantenga a transeúntes, ayudantes, mascotas y niños por lo menos a 75 pies de distancia de la máquina mientras esté funcionando. Detenga la máquina si alguien ingresa en el área.
7. Tenga cuidado de no resbalarse o caerse, especialmente cuando está operando la máquina marcha atrás.

## Preparación

1. Inspeccione con mucho cuidado el área donde se usará el equipo. Quite todos los felpudos, periódicos, trineos, tablas, cables y otros objetos extraños, que podrían ser atropellados o arrojados por la hélice / el propulsor.
2. Siempre use anteojos de protección o viseras protectoras durante la operación y mientras realice un ajuste o una reparación con el fin de proteger sus ojos.
3. No opere la máquina sin usar prendas exteriores de invierno. No use joyas, bufandas largas u otra vestimenta floja, que podría quedar enredada en las partes móviles. Use calzado que contribuya al equilibrio sobre superficies resbaladizas.
4. Utilice un alargador de tres hilos con conexión a tierra y receptáculo para todas las unidades con motores eléctricos.
5. Ajuste la altura de la caja del colector para despejar superficies con grava o gravilla.
6. Desenganche todas las palancas del embrague antes de poner en marcha el motor.
7. Nunca intente realizar ajustes mientras el motor está funcionando, excepto cuando esté específicamente indicado en el manual de instrucciones.
8. Deje que el motor y la máquina se ajusten a la temperatura exterior antes de comenzar a despejar la nieve.
9. Para evitar lesiones personales o daños materiales, tenga mucho cuidado cuando manipule gasolina. La gasolina es

extremadamente inflamable y los vapores son explosivos. Pueden ocurrir lesiones personales graves cuando se derrame gasolina sobre su persona o sobre su vestimenta, la cual se puede prender fuego. Lave su piel y cámbiese la ropa inmediatamente.

- a. Utilice únicamente un recipiente de gasolina aprobado.
- b. Apague todos los cigarrillos, cigarros, pipas, y otras fuentes de ignición.
- c. Nunca coloque combustible a la máquina en interiores.
- d. Nunca quite la tapa de gasolina o agregue combustible mientras el motor está caliente o está en marcha.
- e. Permita que el motor se enfríe por lo menos durante dos minutos antes de volver a abastecer con combustible.
- f. Nunca coloque combustible en el tanque en exceso. Llène el tanque hasta no más de ½ pulgada por debajo del fondo del cuello para que haya espacio suficiente para la expansión del combustible.
- g. Vuelva a colocar la tapa de la gasolina y ajuste firmemente.
- h. Si la gasolina se derrama, límpiela del motor y del equipo. Mueva la máquina a otra área. Espere 5 minutos antes de poner en marcha el motor.
- i. Nunca almacene la máquina o el recipiente de combustible en interiores cuando hay una llama abierta, chispa o luz piloto (por ejemplo, horno, calentador de agua, calentador de ambientes, secador de ropa, etc.)
- j. Deje que la unidad se enfríe por 5 minutos antes de guardarla.

## Funcionamiento

1. No coloque las manos o pies cerca de las partes giratorias, en la caja de la hélice o del propulsor o en la canaleta de descarga. El contacto con las partes giratorias puede amputar manos y pies.
2. La palanca del embrague de la hélice /del propulsor es un dispositivo de seguridad. Nunca deje de utilizarla, ya que de lo contrario la máquina se transforma en poco segura y pueden producirse lesiones personales.
3. La palanca del embrague de la hélice /del propulsor debe funcionar fácilmente en ambas direcciones y automáticamente retornar a la posición de desenganche cuando se suelta.
4. Nunca opere la máquina con una canaleta de descarga que no esté en su lugar o que esté dañada. Mantenga todos los dispositivos de seguridad en su lugar correspondiente y en buenas condiciones operativas.
5. Nunca encienda un motor en interiores o en un área sin ventilación adecuada. El escape del motor contiene monóxido de carbono, un gas inodoro y mortal.
6. No haga funcionar la máquina mientras esté bajo los efectos del alcohol o drogas.

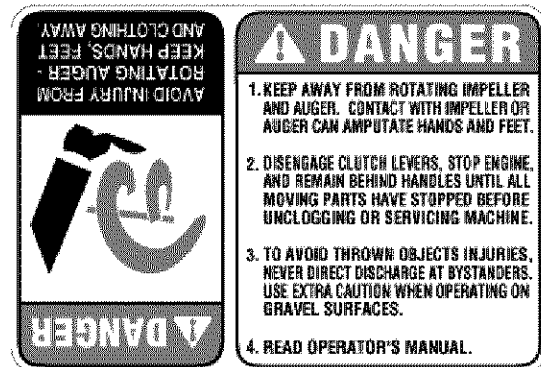
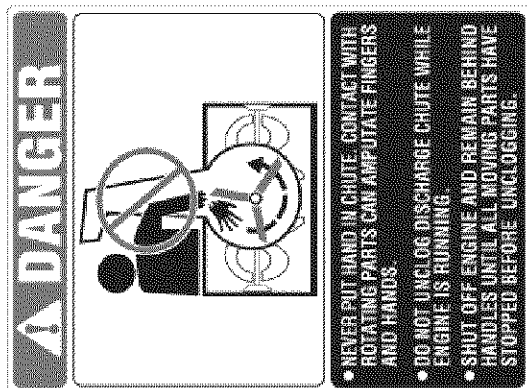
7. El silenciador y el motor se calientan y pueden causar quemaduras. No toque.
8. Tenga mucho cuidado cuando utilice la máquina sobre o a través de superficies con grava. Manténgase alerta para detectar riesgos ocultos o tránsito.
9. Tenga cuidado cuando cambie de dirección y cuando trabaje sobre pendientes.
10. Planifique su patrón para arrojar nieve para evitar descargar hacia ventanas, paredes, automóviles, etc., de esta manera evitando posibles daños materiales o lesiones personales causadas por un rebote.
11. Nunca dirija la descarga a niños, transeúntes y mascotas o permita que alguien se pare delante de la máquina.
12. No sobrecargue la capacidad de la máquina al intentar despejar la nieve a una velocidad muy rápida.
13. Nunca opere esta máquina sin tener buena visibilidad o buena iluminación. Siempre esté seguro de mantener un buen equilibrio y que las manos estén agarradas firmemente a las manijas. Camine, nunca corra.
14. Desconecte la energía de la hélice o del propulsor cuando transporte la máquina o cuando no esté en uso.
15. Nunca opere la máquina a altas velocidades de transporte sobre superficies resbaladizas. Mire hacia abajo y detrás suyo y utilice mucho cuidado cuando de marcha atrás.
16. Si la máquina comienza a vibrar de una manera anormal, detenga el motor, desconecte el cable de la bujía y conéctelo a tierra contra el motor. Inspeccione cuidadosamente en busca de daños. Repare cualquier daño antes de poner en marcha y operar la máquina.
17. Desenganche todas las palancas de embrague y detenga el motor antes de dejar la posición de funcionamiento (detrás de las manijas). Espere hasta que la hélice /el propulsor se detengan por completo antes de desobstruir la canaleta de descarga, haciendo todos los ajustes o inspecciones necesarios.
18. Nunca coloque su mano en las aberturas de descarga o del colector. Siempre utilice la herramienta de limpieza suministrada para desatascar la abertura de descarga. No desatase la canaleta de descarga mientras el motor está en marcha. Antes de proceder con la limpieza, apague el motor y permanezca detrás de las manijas hasta que todas las partes móviles se hayan detenido por completo.
19. Utilice únicamente accesorios y fijaciones aprobadas por el fabricante (por ejemplo, pesos para ruedas, cadenas de neumáticos, cabinas, etc.)
20. Si ocurren situaciones que no están cubiertas por este manual, sea cuidadoso y sensato. Póngase en contacto con el centro de servicio técnico de Sears para obtener asistencia.

## Mantenimiento & Almacenamiento

1. Nunca toque los dispositivos de seguridad. Verifique con regularidad si funcionan correctamente. Consulte las secciones de mantenimiento y ajustes de este manual.
2. Antes de limpiar, reparar, o inspeccionar la máquina, desenganche todas las palancas del embrague y detenga el motor. Espere hasta que la hélice / el propulsor se detengan por completo. Desconecte el cable de la bujía y conéctelo a tierra contra el motor para evitar que comience a funcionar de manera imprevista.
3. Inspeccione con frecuencia los pernos y tornillos para asegurarse de que estén correctamente ajustados para mantener la máquina en buenas condiciones operativas. Asimismo, inspeccione visualmente la máquina en busca de posibles daños.
4. No cambie el ajuste del regulador del motor o acelere demasiado el motor. El regulador controla la máxima velocidad operativa segura del motor.
5. Las placas raspadoras del expulsor de nieve y zapatas deslizantes están sujetas a sufrir desgaste y daños. Para su protección personal, verifique con frecuencia todos los componentes y reemplace únicamente con partes del fabricante del equipo original (OEM). "¡El uso de partes que no cumplan con las especificaciones del equipo original puede originar un mal funcionamiento y comprometer la seguridad!"
6. Verifique los controles del embrague de manera periódica para comprobar que se enganchan y desenganchan correctamente y ajuste, en caso de ser necesario. Consulte la sección de ajustes en este manual de instrucciones.
7. Mantenga / reemplace las etiquetas de instrucción /seguridad, según sea necesario.
8. Cumpla con las leyes y regulaciones de eliminación adecuadas para gas, aceite, etc., para proteger el medio ambiente.
9. Antes de almacenar la máquina, haga funcionar la máquina durante unos pocos minutos para sacar toda la nieve que haya quedado en la máquina y evitar así que la hélice / el propulsor se congelen.
10. Nunca almacene la máquina o el recipiente de combustible en interiores donde haya una llama abierta, chispas, o luz piloto como las que se encuentran en calentadores de agua, hornos, secador de ropa, etc.
11. Siempre consulte el manual de instrucciones para leer las instrucciones correctas sobre almacenamiento de la máquina fuera de temporada.

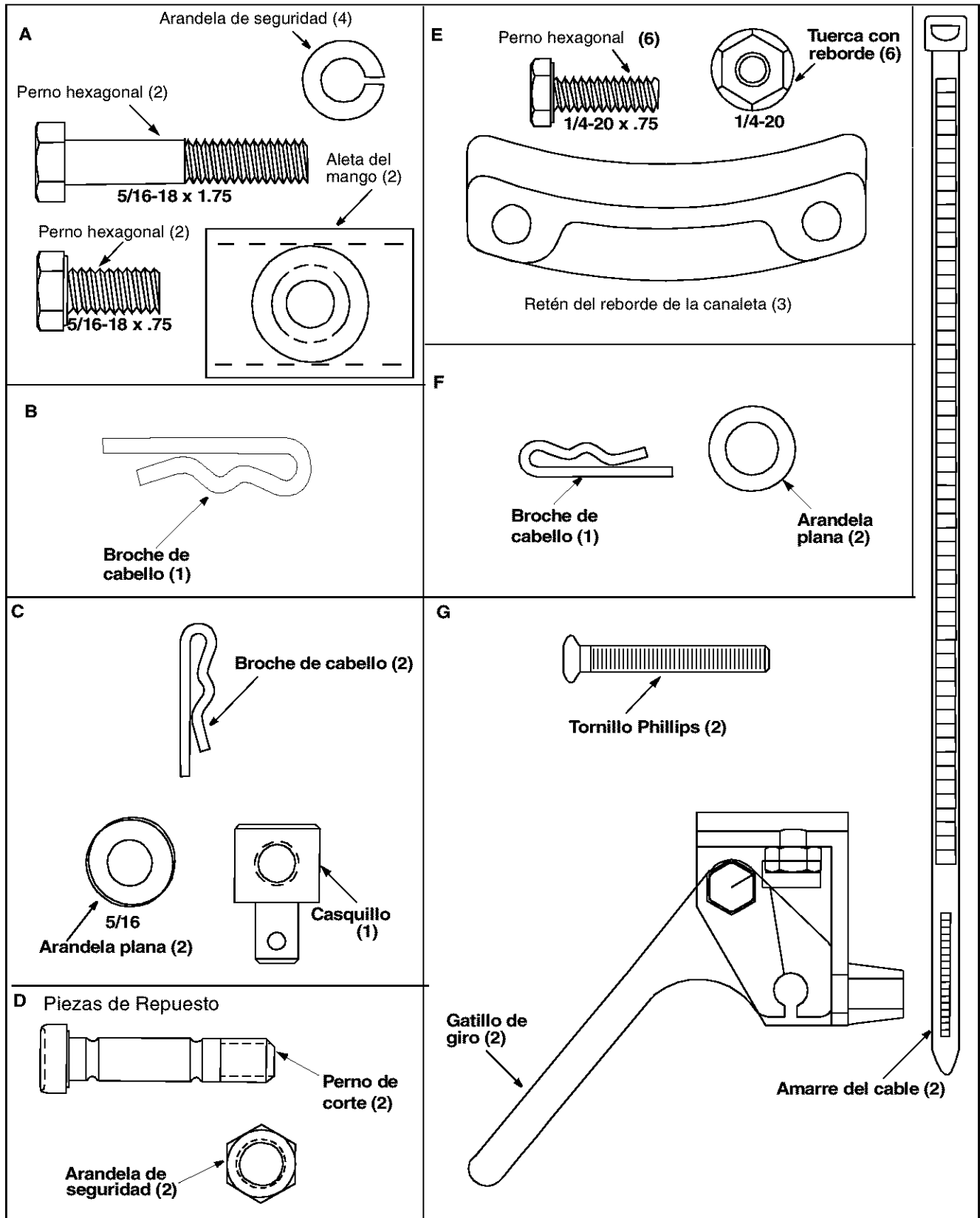
## Su responsabilidad

Limite el uso de esta máquina eléctrica a personas que lean, comprendan y sigan las advertencias e instrucciones contenidas en este manual y que aparecen en la máquina. Las etiquetas de seguridad se muestran a continuación para su referencia.



# CONJUNTO DE FERRETERIA DE FERRETERIA

Despliegue la ferretería de acuerdo con la ilustración para fines de identificación. Las piezas están ilustradas a la mitad de su tamaño aproximadamente. Los números de pieza se muestran entre paréntesis. (El conjunto de ferretería puede contener artículos adicionales que no se usan en su unidad.)



# ENSAMBLADO

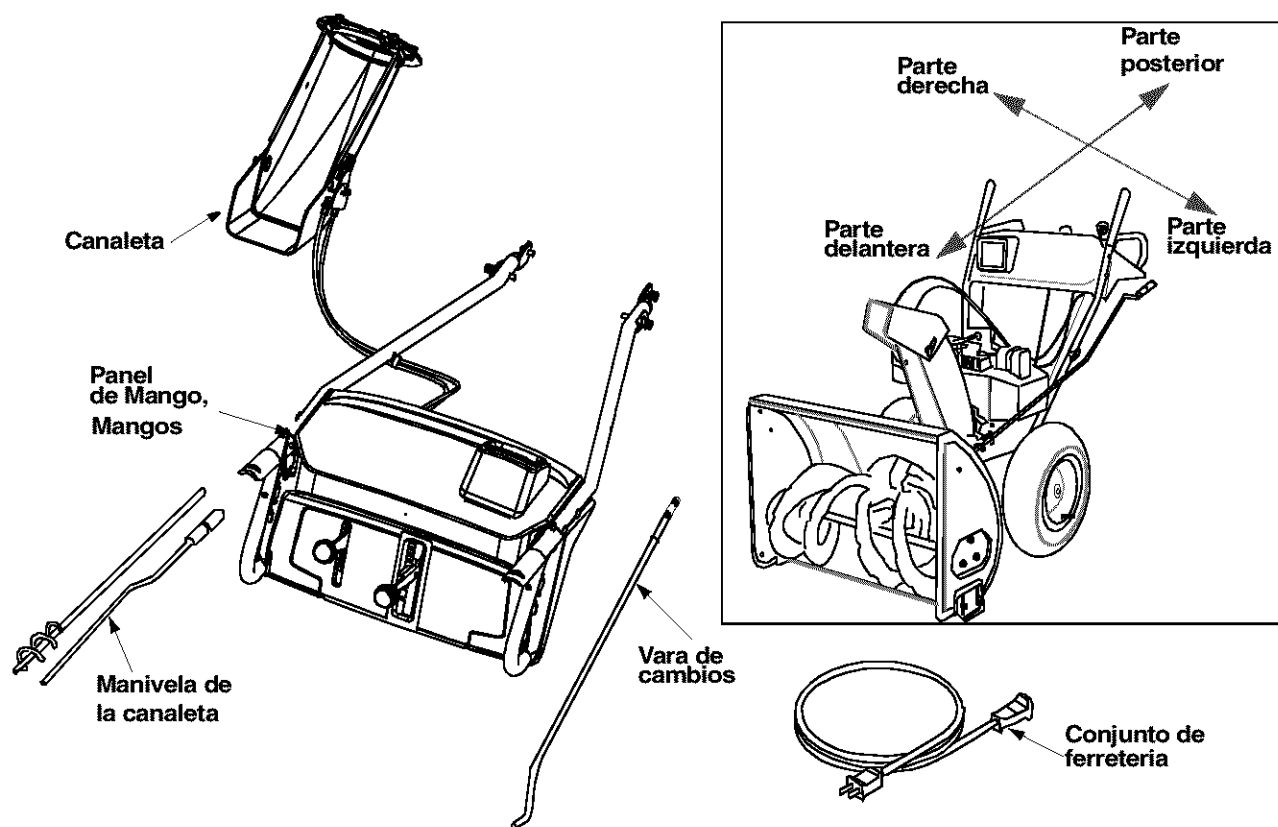


Figura 1

**IMPORTANTE:** Esta unidad ha sido despachada con aceite del motor **pero sin gasolina** en el motor. Después del ensamblado, vea la sección de OPERACION de este manual para selección y llenado de combustible.

## Extracción De La Unidad De La Caja

- Corte las esquinas de la caja.
- Extraiga todas las inserciones de empaque..
- Ruede el expulsor de nieve fuera de la caja.
- Antes de descartar la caja, asegúrese que se hayan extraído todas las partes y la literatura.

## Piezas Sueltas

Su expulsor de nieve ha sido completamente ensamblado de fábrica, excepto el mango y el panel del mango, el conjunto de la canaleta de descarga, el conjunto de la manivela de la canaleta y la vara de cambios. Esas partes se despachan sueltas en la caja. (Vea la Figura 1)

- Conjunto del mango y panel del mango
- Canaleta
- Conjunto de la manivela de la canaleta
- Vara de cambios
- Conjunto de ferretería
- Conjunto de ferretería de ferretería

## Herramientas Requeridas

1. Llaves de 1/2", 7/16", 3/8" o un juego de llaves ajustables
2. Un juego de destornilladores de cabezal phillips
3. Embudo

## Antes del ensamblado

- Antes de ensamblar **el expulsor de nieve asegúrese** que el cable de la bujía esté desconectado y aléjese de la bujía.

**NOTA:** Para determinar los lados derecho e izquierdo de su expulsor de nieve, párese detrás de la unidad con el motor en la posición más alejada de usted. Vea el recuadro de la Figura 1.

## Fijación Del Conjunto Del Mango

- Extienda los cables de control y coloque el conjunto del mango y panel del mango sobre el piso. Vea la Figura 2.
- Coloque los dos extremos de los mangos sobre el bastidor del expulsor de nieve como lo indican las flechas de la Figura 2. Para su comodidad, puede colocar la canaleta de descarga en la abertura de la canaleta. Alinee los dos orificios inferiores en cada mango con los orificios correspondientes en el bastidor del expulsor de nieve.

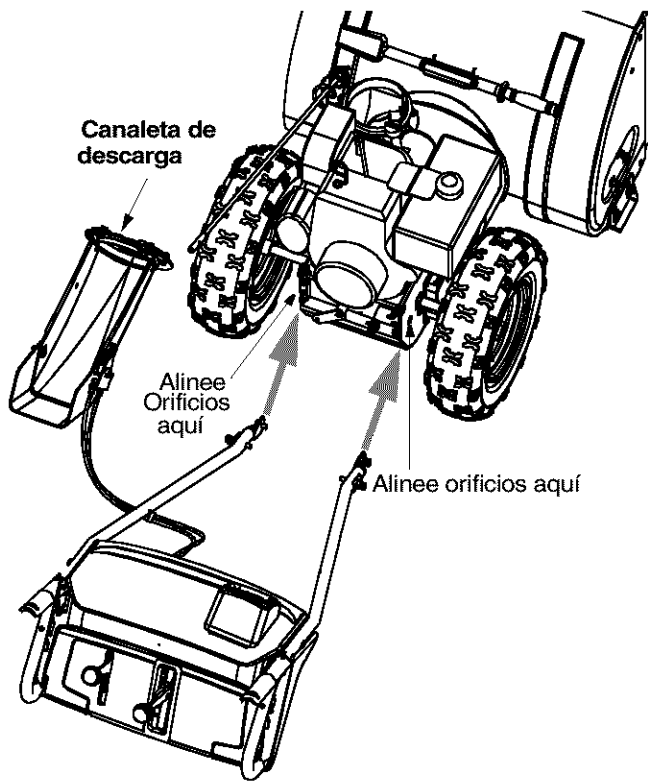


Figura 2

- Asegure el orificio inferior en el mango al bastidor del expulsor de nieve utilizando pernos hexagonales 5/16 x.75" y la arandela de seguridad del conjunto de ferretería (grupo A en la página 5). No apriete en este momento. Vea Figura 3.

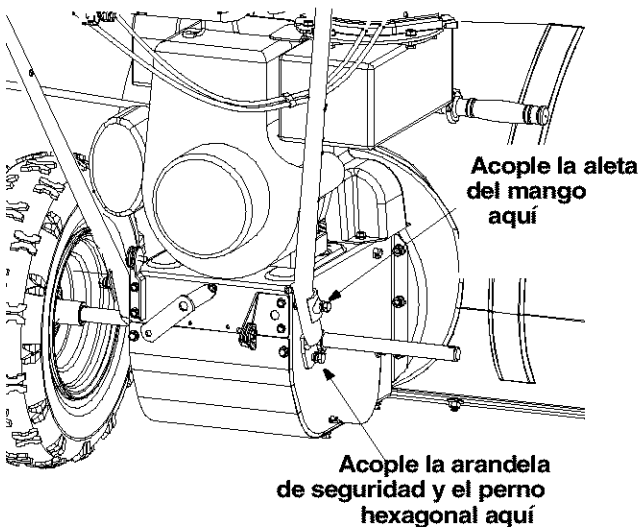


Figura 3

**NOTA:** La rueda derecha y la cubierta del propulsor se han quitado del dibujo aquí para poder ver con más claridad.

- Coloque una aleta del mango, incluida en el conjunto de ferretería (grupo A en la página 5), sobre el orificio superior en el mango de manera que el contorno de la aleta del mango coincida con la del mango. Vea Figura 3.
- Asegure la aleta del mango al expulsor de nieve utilizando un perno hexagonal (5/16 x 2.0" de largo) y la

arandela de seguridad del mismo grupo en el conjunto de ferretería No apriete en este momento.

- Acople el mango izquierdo de la misma manera. No apriete en este momento.

## Fijacion De La Canaleta

- Coloque el conjunto de la canaleta sobre la abertura de la canaleta, con la abertura en el conjunto de la canaleta enfrentando la parte delantera de la unidad.

**NOTA:** Asegúrese que los cables de la canaleta estén rectos mientras ensambla la canaleta.

- Coloque la guarda de la brida de la canaleta (lado plano hacia abajo) debajo del reborde del conjunto de la canaleta según se muestra en la Figura 4. Usted encontrará las guardas de la brida de la canaleta en el Grupo E del conjunto de la ferretería.
- Inserte el perno hexagonal de 1/4-20 del grupo E del conjunto de ferretería (en la página 6) a través de la guarda de la brida de la canaleta y del conjunto de la canaleta según se muestra en la Figura 4. No ajuste en este momento. Gire la canaleta para instalar todas las guardas de la brida.

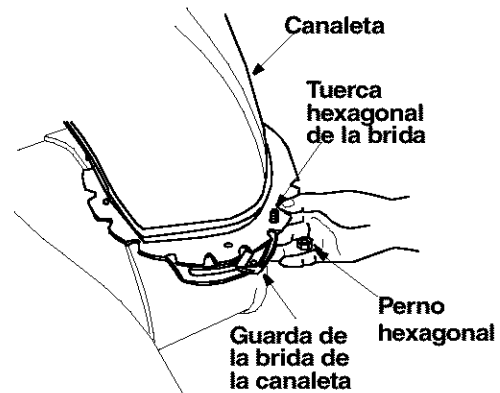


Figura 4

- Después de ensamblar todas las tres guardas de la brida de la canaleta, ajústelas y afloje 1/4 de vuelta para permitir un movimiento más fácil de la canaleta. Use dos (2) llaves de 7/16".

## Fijacion De La Manivela De La Canaleta

- Usted puede tener que aflojar los pernos del carro y las contratuercas hexagonales que aseguran el soporte inferior de la manija de la canaleta a la prolongación del lado izquierdo del conjunto de la canaleta. Vea la Figura 5.

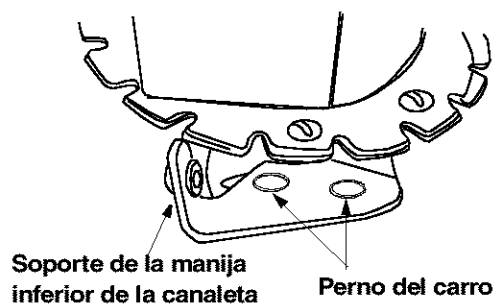


Figura 5

- Coloque una arandela plana de 3/8 de DI (del grupo F del conjunto de ferretería) en el extremo de la manija de la canaleta, a continuación inserte el extremo de la manija en el orificio del casquillo plástico en el soporte de la manija de la canaleta. Vea la Figura 6.
- Coloque la otra arandela plana de 3/8 de DI (del mismo grupo de ferretería) al extremo de la manija de la canaleta e inserte el broche del cabello dentro del orificio al extremo de la manija de la canaleta. Vea la Figura 6.
- Ajuste el soporte de la canaleta de manera que la espiral en la manija de la canaleta se enganche completamente con los dientes del conjunto de la canaleta. Ajuste bien las tuercas en el soporte inferior de la manija de la canaleta.

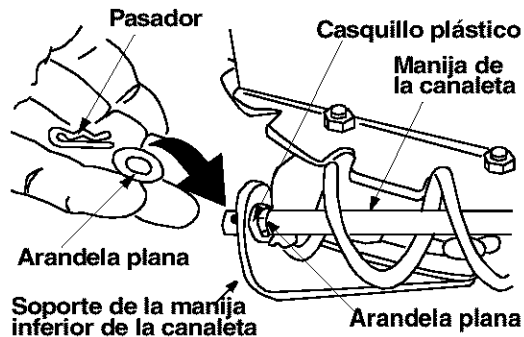


Figura 6

- Deslice la manija superior de la canaleta dentro de la manija inferior de la canaleta según se muestra en la Figura 7. Alinee los orificios en las dos partes de la manija de la canaleta, y asegure con el broche del cabello del grupo F del conjunto de la ferretería.
- Gire completamente la canaleta, usando la manija de la canaleta, para asegurarse que se mueve libremente.
- Usando una llave inglesa ajuste el perno hexagonal y la tuerca hexagonal en el soporte de la manija superior de la canaleta.

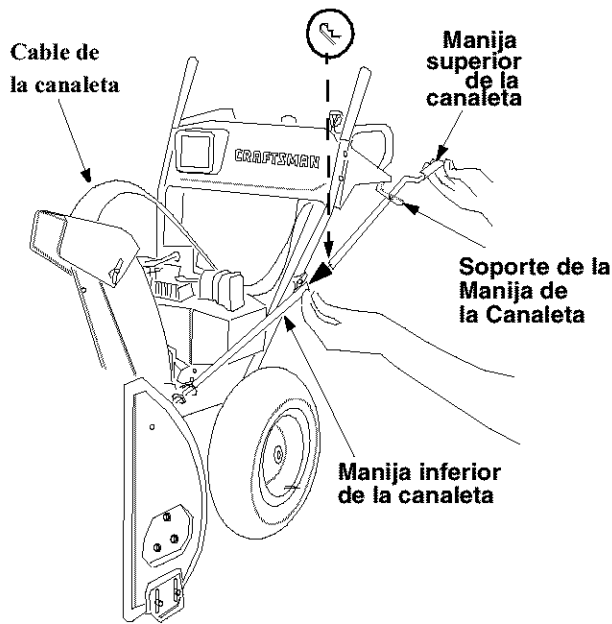


Figura 7

- Usando una llave, ajuste el perno hexagonal y la tuerca hexagonal en el soporte superior de la manivela de la canaleta.
- Usando la manivela de la canaleta, gire completamente esta última, para asegurar que se mueve libremente.
- Deslice los cables que se extienden desde el panel del mango a la canaleta dentro de la guía de cable ubicada al tope del motor. Vea la Figura 8.
- Asegure toda la ferretería suelta en el conjunto el mango y panel del mango ahora.

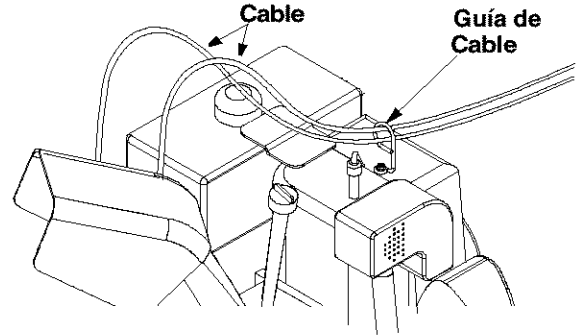


Figura 8

## Fijacion De Los Cables Del Embrague

Los cables de control del embrague están fijados a la limpiadora de nieve. Si los cables están fijados al tope del motor con amarras de cable, corte las amarras ahora. Los extremos en Z de los cables del embrague están enganchados dentro de las empuñaduras de cada manija.

- Asegúrese que haya una contratuerca enroscada toda hasta la porción enroscada del adaptador en Z; se proveen extras en el conjunto de ferretería. Vea la Figura 9. Coloque la manija del embrague en la posición elevada (up).

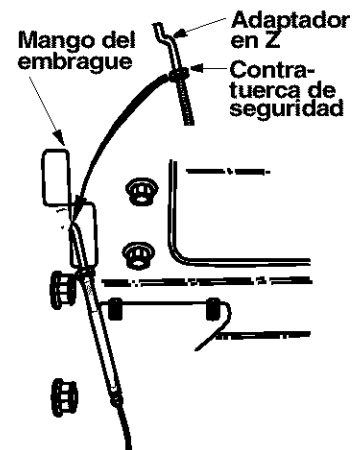


Figura 9

- Gire hacia arriba la espiral sin fin izquierda asegurándose que el cable esté encaminado correctamente en las guías del rodillo del cable ubicados en la parte posterior inferior de la unidad.
- Sujete el extremo del cable en el tambor de manera que el casquillo gire libremente sin torcer el cable. Enrosque el casquillo en el adaptador en Z. Para aliviar la tensión usted puede tener que tirar ligeramente del cable. Mantenga girando el casquillo *sin torcer* el cable.
- Usted alcanzará un ajuste correcto cuando haya un exceso mínimo en el cable pero no está ajustado. Sujete las áreas planas del casquillo con pinzas y ajuste la contratuerca contra el casquillo.

**PRECAUCION:** Los cables se aflojarán si usted no ajusta la contratuerca.



**ADVERTENCIA:** No debe haber tensión en ninguno de los cables del embrague con el propulsor o la empuñadura del embrague de la espiral sin fin en la posición desenganchada (up). Esos embragues son una característica de seguridad. No cancele su función permitiendo que exista tensión en cualquiera de los cables con los embragues desenganchados.

## Fijacion De La Vara De Cambios

- Coloque la palanca de cambios en la posición de sexta (6) velocidad.
- Coloque el extremo doblado de la vara de cambio dentro del orificio en el conjunto del brazo de cambios. Vea la Figura 10. Asegure con la arandela plana de 5/16 y el broche de cabello del conjunto de ferretería (grupo C).
- Comience a enroscar el casquillo (incluido en el mismo grupo en el conjunto de ferretería) dentro del otro extremo de la vara de cambios. Tiene que alinearse con el orificio superior en la palanca de cambios (debajo del panel del mango). Mientras alinea el casquillo, empuje hacia abajo la vara de cambios y el conjunto del brazo de cambios tanto como pueda.

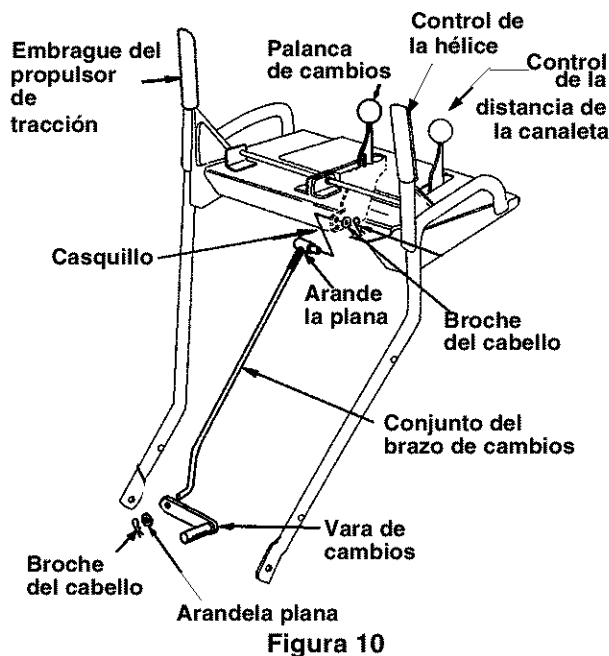


Figura 10

- Una vez que el casquillo se deslice dentro del orificio, gírelo en sentido contrario a las agujas del reloj una vuelta completa e inserte en el orificio en la palanca de cambios.

**NOTA:** Puede ser necesario mover la palanca de cambios fuera de la posición de sexta velocidad y moverla hacia la posición de quinta velocidad hasta que el casquillo se deslice dentro del orificio sin fuerza.

- Asegure el casquillo a la palanca de cambios con otra arandela plana de 5/16 y broche del cabello del grupo C del conjunto de ferretería. Vea la Figura 10.
- Antes de operar el expulsor de nieve, asegúrese de inspeccionar el ajuste correcto de la vara de cambios según las instrucciones de la sección de Ajustes.

## Fijacion De Los Gatillos De Giro

- Alimente el cable del gatillo a través del lado exterior de la ranura en el panel del mango. No alimente el cable a través del mismo lado de la ranura que el adaptador en Z.

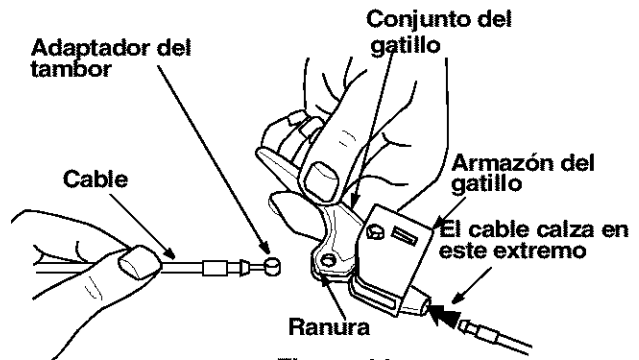


Figura 11

**NOTA:** Usted no puede tirar del cable fuera del armazón del mismo, cuando el cable esté correctamente instalado.

- Asegúrese que el cable del gatillo de la mano derecha esté encaminado al frente del cable propulsor de tracción.
- Coloque el adaptador del tambor del cable dentro del orificio del gatillo. Usted puede encontrar los gatillos y la ferretería relacionada en el grupo G del conjunto de ferretería. Tire del cable y gírelo alrededor del fondo del gatillo, con el cable interior en la ranura, hasta que el extremo del cable pueda ser empujado dentro del armazón del gatillo y calzado firme. Vea la Figura 12.
- Ponga el disparador derecho de la vuelta en la posición por debajo de la manija derecha. Inserte el tornillo, del grupo G del paquete del hardware, en el agujero en la manija y la tuerca de la autógena moldeadas en la asamblea del disparador de la vuelta. Véa la Figura 12. Apriete el tornillo con un destornillador de Philips. Repita en el lado izquierdo.

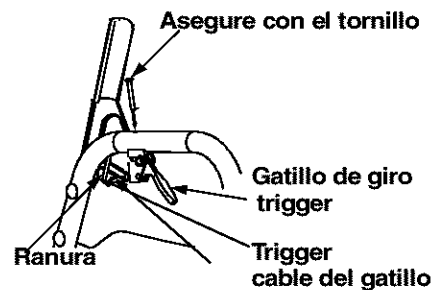


Figura 12

- Asegure el cable del gatillo de giro a la derecha al mango derecho inferior, usando el amarre de cable provisto en el conjunto de ferretería. Vea la Figura 13.

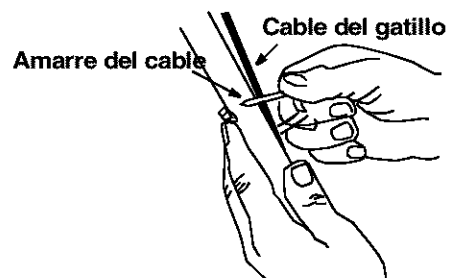


Figura 13

- Asegure el cable del gatillo de giro izquierdo de la misma manera. Corte los extremos excesivos de cada amarre de cable.

**NOTA:** El amarre del cable del lado derecho debe usarse para evitar el contacto con el brazo móvil de cambios de la transmisión.

## Cableado de la Lámpara

- Envuelva el cable de la lámpara hacia abajo del mango derecho. Enchufe el cable dentro del cable guía del alternador debajo del tanque de combustible. Vea la Figura 14.

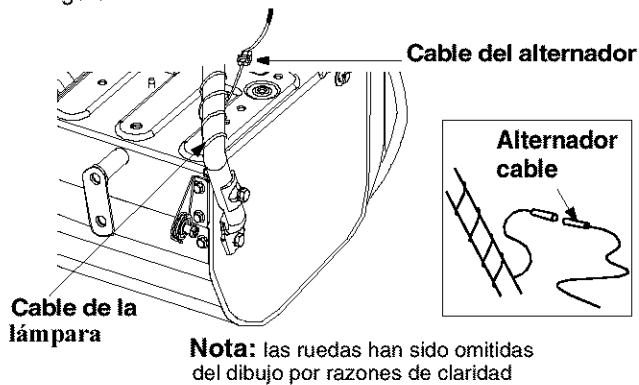


Figura 14

**IMPORTANTE:** Ensamble su expulsor de nieve, a continuación inspeccione los ajustes según las instrucciones y efectúe los ajustes finales necesarios antes de operar la unidad. El no seguir las instrucciones puede causar averías al expulsor de nieve.

## Herramienta de limpieza de la canaleta

- Esta herramienta es sujeta con un amarre del cable a la parte posterior de la caja de la hélice para fines de transporte. Corte el amarre del cable y extraiga la herramienta antes de operar el expulsor de nieve.

## Ajustes Finales

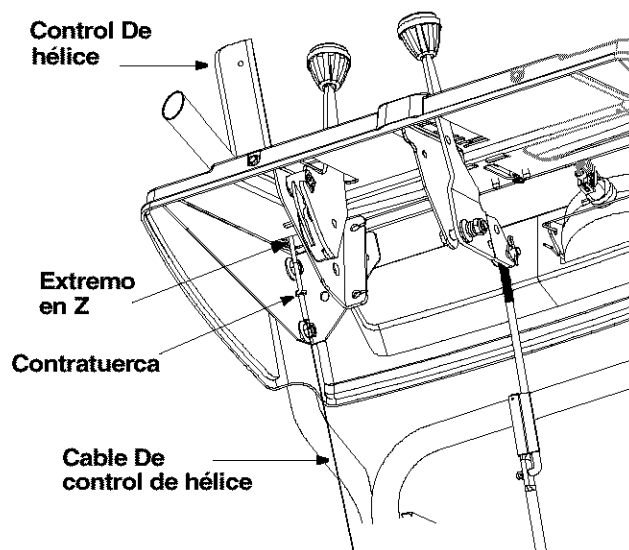


Figura 15

## Control de la Hélice

- Para inspeccionar el ajuste del control de la hélice, empuje hacia adelante sobre la empuñadura izquierda del embrague hasta que esté comprimido el amortiguador de goma. Debe haber exceso en el cable del embrague. Vea la Figura 15.
- Suelte la empuñadura del embrague. El cable debe estar recto. Asegúrese de poder bajar completamente el mango de control de la hélice contra el mango izquierdo.
- Si es necesario ajustar, afloje la tuerca de seguridad hexagonal y enrosque el cable hacia adentro (para menos exceso) o hacia afuera (para más exceso).
- Vuelva a inspeccionar el ajuste. Ajuste la tuerca de seguridad contra el cable cuando se alcanza el ajuste correcto.

## Control del Propulsor de Tracción

- Para inspeccionar el ajuste del control del propulsor de tracción y de la palanca de cambios, mueva la palanca de cambios todo el recorrido hasta la sexta (6) posición.
- Con el control del propulsor de tracción desenganchado, mueva los gatillos hacia arriba hasta el mango y a continuación empuje el expulsor de nieve hacia adelante para verificar que giren las wheel.
- Suelte el control del propulsor de tracción y tire nuevamente del arrancador. La unidad no debe moverse.
- Antes de proceder con el ajuste, inspeccione para asegurarse que la **bujía está desconectada**.
- Si el control del propulsor de tracción requiere ajustes, afloje la tuerca de seguridad en el cable del propulsor de tracción y enrosque el cable una vuelta. Vuelva a inspeccionar el ajuste y repita según sea necesario.

## Ajuste de la Zapata Deslizante

Puede cambiarse el espacio entre la placa raspadora y el suelo ajustando la zapata deslizante.

- Retorne la palanca de transferencia de peso (mostrada en la Figura 16) a su posición normal antes de ajustar las zapatas deslizantes.
- Para una eliminación estrecha de nieve, ajuste las zapatas deslizantes tan altas como sea posible para minimizar la separación entre la placa raspadora y el suelo.
- Para eliminar la nieve de terrenos irregulares tales como pedregullo, ajuste las zapatas deslizantes hacia abajo para crear suficiente espacio entre el borde inferior de la placa raspadora y el suelo.
- Ajuste las zapatas deslizantes aflojando las cuatro tuercas hexagonales y los pernos del carro y moviendo las zapatas deslizantes a la posición deseada. Asegúrese que toda la superficie inferior de la zapata deslizante esté apoyada sobre el suelo para evitar un desgaste irregular de las zapatas deslizantes. Vea la Figura 16.
- Vuelva a ajustar seguramente las tuercas y los pernos.

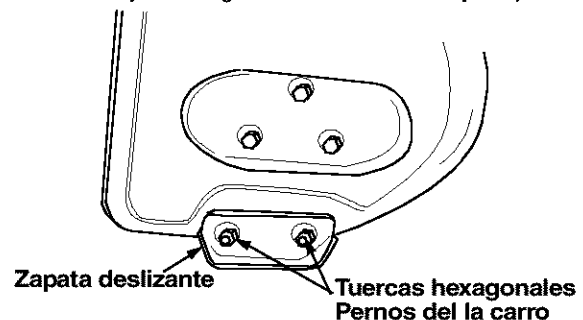


Figura 16

# OPERACION

## Conociendo a su expulsor de nieve

Por favor lea este manual del usuario y las etiquetas de seguridad anexadas a la unidad antes de operar su expulsor de nieve. Compare la ilustración que figura más abajo con su equipo para conocer la ubicación y características de los diversos controles del mismo. Guarde este manual para referencia futura.

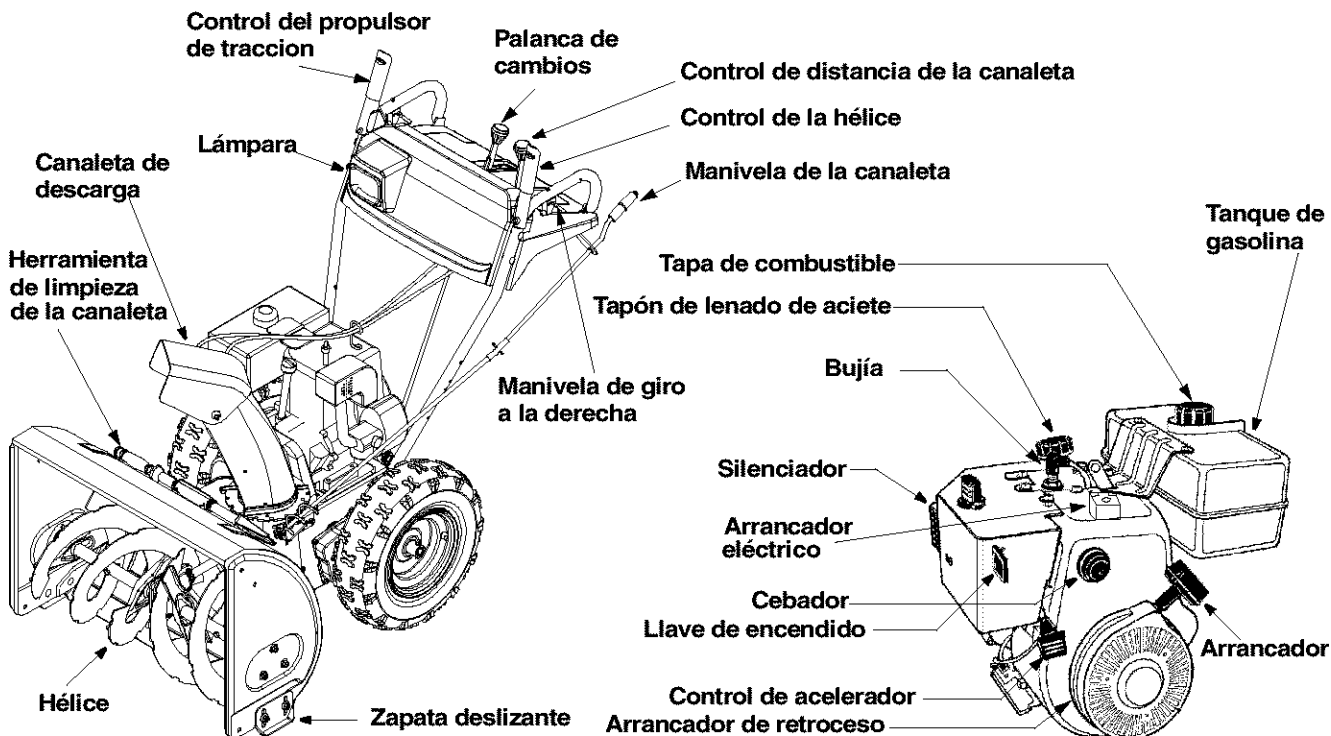


Figura 17

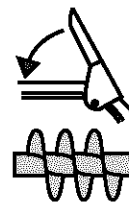
## Conozca Su Expulsor De Nieve

### Propulsor De Traccion/Seguro Del Embrague De La Espiral Sin Fin

El embrague del propulsor de tracción está ubicado en el mango derecho. Accione el embrague del propulsor de tracción para enganchar la rueda motriz. Suelte para parar. Esta misma palanca también fija el embrague de la espiral sin fin de manera que se puede girar la manija de la canaleta sin interrumpir el proceso de limpieza de nieve. Si se engancha el embrague del propulsor de la espiral sin fin con el embrague del propulsor de tracción enganchado, el operador puede soltar el embrague del propulsor de la espiral sin fin (en el mango izquierdo) y las espirales sin fin permanecerán enganchadas. Suelte el embrague del propulsor de tracción para detener las espirales sin fin y la rueda motriz (debe soltarse también el embrague del propulsor de la espiral sin fin).

### Control De La Helice

El embrague del propulsor de la espiral sin fin está ubicado en el mango izquierdo. Apriete la empuñadura del embrague para enganchar las espirales sin fin. Suelte para detener la acción de limpieza de nieve. (Debe soltarse también el embrague del propulsor de tracción).



### Palanca Del Gatillo

Los gatillos para giro izquierdo y derecho están ubicados del lado inferior de los mangos y se usan para ayudar a manejar su limpiadora de nieve. Accione el gatillo de giro derecho cuando gire a la derecha y el gatillo izquierdo cuando gire a la izquierda.

### Control Del Acelerador

El control del acelerador está ubicado en el motor. Regula la velocidad del motor. Al soplar la nieve, siempre haga funcionar el motor con el acelerador en la posición rápida.

## CUMPLE CON LOS REQUERIMIENTOS DE SEGURIDAD ANSI B71.3

Los expulsores de nieve Sears conforman con las normas de seguridad del American National Standards Institute (ANSI).

## Interruptor De Encendido De Seguridad

El interruptor de la llave de encendido debe insertarse completamente en el interruptor antes que arranque la unidad. No intente girar la llave.

## Valvula De Corte De Combustible

La válvula de corte de combustible, ubicada debajo del tanque de combustible controla el flujo de combustible del tanque. Asegúrese que no esté en la posición "off" antes de arrancar el motor.

## Manivela De La Canaleta

La manivela de la canaleta está ubicada del lado izquierdo de la limpiadora de nieve.

Para cambiar la dirección en la cual se limpia la nieve, gire la manija de la canaleta como sigue:

- Gire la manija en el sentido de las agujas del reloj para descargar a la izquierda.
- Gire en sentido contrario a las agujas del reloj para descargar a la derecha.

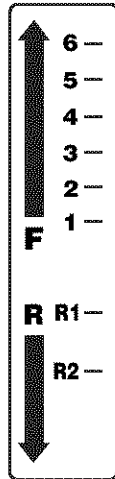


## Palanca De Cambios

La palanca de cambios está ubicada en el centro del panel del mango. La palanca de cambios puede moverse a una de ocho posiciones. Use la palanca de cambios para determinar la velocidad sobre el suelo.

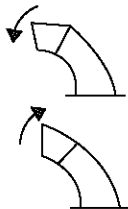
**Avance**—una de seis velocidades. La posición número uno (1) es la más lenta. La posición número seis (6) es la más rápida.

**Retroceso**—dos velocidades de retroceso (R). La "R" más cercana al operador (todo hacia atrás) es la más veloz de las dos.



## Control De Inclination De La Canaleta

La distancia a la que se despiende la nieve puede ajustarse ajustando el ángulo del conjunto de la canaleta. Mueva el control de inclinación hacia adelante para disminuir la distancia, hacia atrás para aumentarla.



## Herramienta De Limpieza De Canaleta

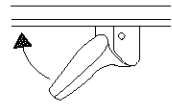
La herramienta de limpieza de canaleta está diseñada para despejar una canaleta de descarga obturada. Vea la página 53 para instrucciones sobre cómo utilizarla correctamente.



**ADVERTENCIA:** Nunca utilice su mano para limpiar una canaleta de descarga obturada. Apague el motor y permanezca detrás de las manijas hasta que todas las partes móviles se hayan detenido antes de proceder a desatascar.

## Controles De Dirección De Rueda

Los controles de dirección de rueda izquierda y derecha están ubicados en la parte inferior de los mangos.



- Apriete el control derecho para girar hacia la derecha; apriete el control izquierdo para girar hacia la izquierda.

**NOTA:** Haga funcionar el expulsor de nieve en áreas abiertas hasta que esté familiarizado con estos controles.

## Zapata deslizante

La posición de la zapata deslizante está determinada por la condición del terreno del que se debe sacar la nieve. Cuanto más alto sea el nivel de la nieve, más baja debe estar la zapata deslizante. Ajuste según sea necesario.

## Detencion Del Expulsor De Nieve

- Para detener la expulsión de nieve, desenganche la palanca del propulsor de la hélice.
- Para apagar el motor, empuje la palanca de control del acelerador a OFF y extraiga la llave de encendido. No gire la llave.

## Antes de poner en marcha el motor

### Llene Con Gasolina



**ADVERTENCIA:** La gasolina es inflamable; tenga mucho cuidado cuando la manipule o la almacene.

No coloque combustible en el tanque mientras el expulsor de nieve esté funcionando, cuando esté caliente o cuando esté un área cerrada.

Mantenga su expulsor de nieve a distancia de una llama abierta o de una chispa eléctrica y no fume mientras esté llenando el tanque con combustible.

Nunca llene el tanque de combustible completamente. Llene el tanque a 1/4"-1/2" de distancia de la parte superior para que haya espacio suficiente para la expansión del combustible.

Siempre llene el tanque de combustible en exteriores y utilice un embudo o pico para evitar derrames.

Asegúrese de limpiar el combustible derramado antes de encender el motor.

- Almacene la gasolina en un recipiente limpio, aprobado y mantenga la tapa en su lugar en el recipiente.
- Asegúrese de que el recipiente del cual vierte la gasolina esté limpio, libre de óxido y de otras partículas extrañas.
- Se provee una tapa de plástico dentro de la abertura de llenado de combustible en el tanque de combustible. Saque y deseche esta tapa antes de llenar el tanque. Utilice la otra tapa del tanque de gasolina para cerrar luego del llenado.

- Llène el tanque de combustible con gasolina limpia, sin nueva, para automóvil sin plomo.
- Al finalizar el trabajo, vacíe el tanque de combustible si el expulsor de nieve no va a ser usado durante 30 días o más. Vea instrucciones de almacenamiento en la página 25 de este manual.

**PRECAUCIÓN:** La experiencia indica que los combustibles con mezcla de alcohol (llamados gasohol) o los que utilizan etanol o metanol pueden atraer la humedad que resulta en la separación y formación de ácidos durante el almacenamiento. El gas ácido puede dañar el sistema de combustible de un motor durante el almacenamiento. Para evitar problemas del motor, el sistema de combustible debe vaciarse antes de almacenar por 30 días o más. Drene el tanque de gasolina, ponga en marcha el motor y déjelo andar hasta que las líneas de combustible y el carburador estén vacíos. Utilice combustible nuevo la próxima temporada. Vea instrucciones de almacenamiento para obtener información adicional. Nunca utilice productos de limpieza del motor o del carburador en el tanque de combustible o puede resultar en daños permanentes.

## Llenado De Aceite

El motor fue enviado con aceite en el motor. Controle el nivel de aceite antes de cada operación y asegúrese de que haya aceite suficiente en el motor. Vea las instrucciones en la página 18 para el procedimiento correcto.

## Para Poner En Marcha El Motor

### Arrancador Eléctrico



**ADVERTENCIA:** El arrancador eléctrico está equipado con un cordón de potencia de tres conductores y un enchufe y está diseñado para operar con una corriente casera de 120 voltios de CA. Debe conectarse apropiadamente a tierra en todo momento para evitar la posibilidad de un choque eléctrico que puede ser dañino para el operador. Observe cuidadosamente todas las instrucciones. Determine que el cableado de su casa es un sistema conectado a tierra de tres conductores. Si no está seguro pregunte a un electricista licenciado. No use este arrancador eléctrico bajo ninguna condición si el sistema de cableado de su casa no es un sistema de tres conductores conectado a tierra. Si el sistema de cableado eléctrico de su casa está conectado a tierra pero no está disponible un receptáculo de tres orificios en el punto donde se usará normalmente el arrancador, debe instalarse uno por un electricista licenciado.

- Al *conectar el cordón de potencia*, conecte siempre primero el cordón al arrancador del motor, a continuación enchufe el otro extremo a un receptáculo de tres orificios conectado a tierra.

- Al *desconectar el cordón de potencia*, desenchufe siempre primero el extremo del receptáculo de tres orificios conectado a tierra.

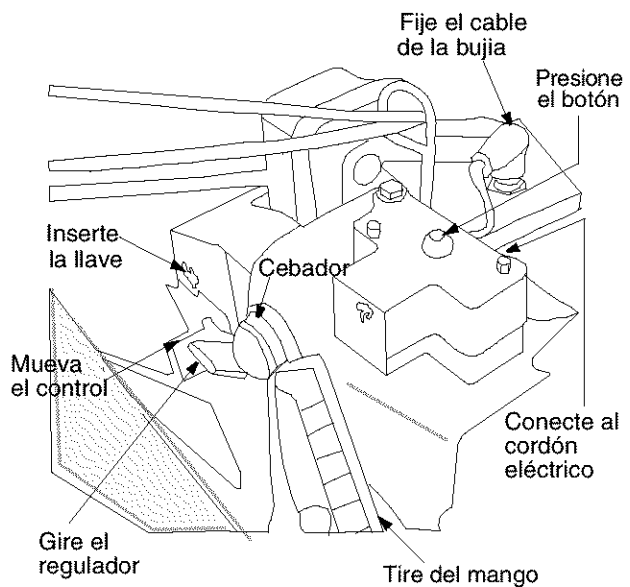
## Arranque Del Motor

(Vea la Figura 18.)



**ADVERTENCIA:** Apague el motor inmediatamente si la unidad muestra señales de movimiento (rueda motriz o espirales sin fin) con las empuñaduras del embrague desenganchadas. Reajuste según las instrucciones en la sección de "Ajuste final" de las instrucciones de Preparación.

- Fije el cable de la bujía a la bujía. Asegúrese que el bucle de metal al extremo del cable de la bujía (dentro de la bota) esté bien fijo a la punta de metal de la bujía.
- Asegúrese que la válvula de corte de combustible esté en la posición abierta (vertical).
- Asegúrese que las palancas del embrague del propulsor estén en la posición desenganchada (suelta).
- Mueva el control del acelerador a la posición FAST (RAPIDA).
- Inserte la llave de encendido en la ranura. Asegúrese que calce en su lugar. **No** gire la llave.



**Figura 18**

En el caso de **arranque eléctrico** solamente siga los tres próximos pasos.

- Gire la perilla del regulador a la posición OFF.
- Oprima el botón del cebador mientras cubre el orificio de ventilación. Saque el dedo del cebador entre cebados. No cebe para arrancar un motor caliente. Si la temperatura es mayor de 15 grados F cebe dos o tres veces y cuatro veces si es menor de 15 grados F.
- Conecte el cordón de potencia a la caja del interruptor en el motor. Enchufe el otro extremo del cordón de potencia a un receptáculo de tres orificios, conectado a tierra, de 120 voltios de CA.
- Oprima el botón del arrancador para intentar arrancar el motor. Cuando el motor arranque, suelte el botón del arrancador y mueva el regulador lentamente a FULL (PLENO), y a continuación gradualmente a la posición OFF. Si el motor vacila,

mueva el regulador inmediatamente a la posición FULL y a continuación mueva gradualmente a la posición OFF.

Para el **arranque de retroceso** solamente siga los tres próximos pasos:

- Gire la perilla del regulador a la posición FULL. Coloque el regulador en la posición OFF en lugar de la posición FULL, si el motor todavía está caliente.
- Oprima el botón del cebador dos o tres veces. Oprima el botón del cebador una vez solamente, si el motor está caliente.
- Sujete el mango del arrancador y tire lentamente de la sogá hasta que comience a ejercer más resistencia. Permita que la sogá se enrolle lentamente. Tire rápidamente del mango del arrancador. No permita que el mango retroceda bruscamente. Permita que se enrolle lentamente mientras sujeta firmemente el mango del arrancador. Repita hasta que el motor arranque. A medida que el motor se calienta y comienza a funcionar suavemente, gire lentamente la perilla del regulador a la posición OFF. Si el motor vacila, regrese a regulador en FULL y a continuación mueva lentamente a la posición OFF.

## Como Apagar El Motor

- Haga funcionar el motor por unos pocos minutos antes de apagar para ayudar a secar la humedad del motor.
- Proceda como sigue para **evitar una posible congelación del arrancador**.  
**Arrancador eléctrico:** Conecte el cordón de potencia a la caja del interruptor del motor, a continuación a un receptáculo de 120 voltios de CA. Con el motor funcionando, oprima el botón del arrancador y gire el arrancador por varios segundos. El sonido raro emitido al girar el arrancador no dañará el motor o el arrancador. Desconecte primero el cordón de potencia del receptáculo y a continuación de la caja del interruptor.  
**Arrancador a retroceso:** Con el motor funcionando, tire de la sogá del arrancador con una pasada rápida y continua con todo el brazo, tres o cuatro veces. El tirar de la sogá del arrancador producirá un sonido intenso de golpeteo, que no es dañino para el motor o el arrancador.
- Para apagar el motor, empuje todo hacia abajo la palanca del acelerador o saque la llave de encendido. No gire la llave. Desconecte el cable de la bujía de la misma para evitar un arranque accidental mientras el equipo está desatendido.

**NOTA:** No pierda la llave de encendido. Manténgala en un lugar seguro. El motor no arrancará sin la llave de encendido.

- Limpie toda la nieve y humedad de la cubierta del carburador en el área de las palancas de control. También, avance y retroceda varias veces las palancas de control. Deje la palanca de control del acelerador en la posición STOP u OFF. Deje el control del regulador en la posición FULL.

## Enganche De La Propulsion

- Con el motor funcionando cerca de la velocidad máxima, mueva la palanca de cambios a una de las posiciones de forward (avance) o a las dos de reverse (retroceso). Seleccione una velocidad apropiada para las condiciones de nieve existentes. Use las velocidades más lentas hasta que esté familiarizado con la operación de la limpiadora de nieve.
- Oprima la empuñadura del embrague de la espiral sin fin izquierda contra el mango, para engancharla.
- Mientras la empuñadura del embrague de la espiral sin fin está enganchada, oprima la empuñadura del embrague del propulsor derecho.
- Suelte la empuñadura del embrague de la espiral sin fin izquierda, solamente. El mecanismo de interbloqueo debe mantener el embrague izquierdo enganchado hasta que se suelte el embrague derecho.

**NOTA:** NUNCA mueva la palanca de cambios sin soltar primero el embrague del propulsor.

## Manejo De La Limpiadora De Nieve

Las palancas de los gatillos están ubicadas en la parte inferior de los mangos y se usan para manejar su limpiadora de nieve.

**NOTA:** El embrague del propulsor debe estar enganchado al usar los gatillos para manejar la limpiadora de nieve.

- Para girar a la derecha, oprima la palanca del gatillo derecho y guíe la limpiadora de nieve hacia la derecha.
- Para girar a la izquierda, oprima la palanca del gatillo izquierdo y guíe la limpiadora de nieve hacia la izquierda.
- Oprima ambos gatillos para transportar la unidad cuando el motor no está funcionando.

**NOTA:** Esos controles deben usarse mientras opera su limpiadora de nieve en áreas abiertas, hasta familiarizarse con su operación.



### Instrucciones Abreviadas de Arranque

Expulsor de Nieve	Cable de la bujía	Palancas propulsoras	Control del acelerador	Llave de encendido	Regulador	Cordón de potencia	Cebador	Arrancador	Después de arrancar
Arrancador Eléctrico	Conecte	Suelte	Mueva a FAST	Presione para calzar	Mueva a FULL	Conecte a la fuente Cebado	—	Presione el botón	1. Suelte el botón 2. Mueva el regulador a Off 3. Desconecte el cordón
Arrancador de Retroceso	Conecte	Suelte	Mueva a FAST	Presione para calzar	Mueva a FULL	—	Cebe	Tire del mango	1. Suelte el mango 2. Mueva el regulador a Off

## Enganche De Las Espirales Sin Fin

- Oprima la empuñadura del embrague de la espiral sin fin contra el mango izquierdo, para enganchar las espirales sin fin y comenzar la acción de despedir la nieve. Suelte para detener las espirales sin fin (debe soltarse también la empuñadura del embrague del propulsor de tracción).
- Puede fijarse también el embrague del propulsor de la espiral sin fin de manera que usted pueda girar la manija de la canaleta sin interrumpir el proceso de despedir nieve. Refiérase a "Propulsión de Tracción/Fijación del Embrague de la Espiral Sin Fin" en la sección de Control.

## Presion De La Ruedas

- Las ruedas están sobreinfladas para fines de transporte. Reduzca la presión de las ruedas a 10-15 p.s.i para la operación de la limpiadora de nieve. Use ruedas neumáticas solamente en su unidad limpiadora de nieve.
- Deben usarse cadenas para ruedas (equipo opcional) siempre que se requiera una tracción adicional.

## Herramienta De Limpieza De La Canaleta

La herramienta de limpieza de la canaleta está convenientemente asegurada a la parte posterior de la caja de la hélice con un broche de montaje. Nunca utilice su mano para limpiar una canaleta obturada o la abertura de la canaleta; utilice esta herramienta de limpieza en su lugar.

- Suelte la palanca de control de la hélice y la palanca de seguridad de control de la hélice/tracción.
- Detenga el motor retirando la llave de ignición.
- Saque la herramienta de limpieza del broche que la asegura a la parte posterior de la caja de la hélice. Vea Figura 19.

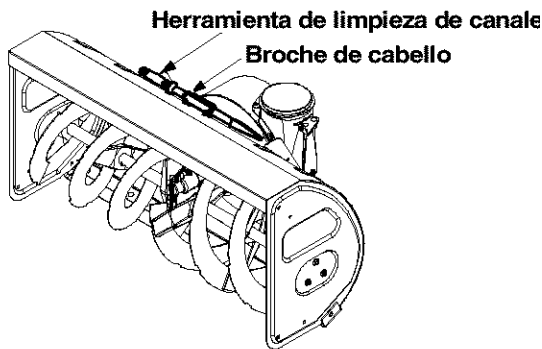


Figura 19

- Utilice el extremo en forma de pala de la herramienta de limpieza para quitar la nieve y el hielo de la canaleta de descarga.
- Vuelva a ajustar la herramienta de limpieza al broche de montaje en la parte posterior de la caja de la hélice y reinicie el motor.
- Mientras esté parado en la posición del operador (detrás del expulsor de nieve), enganche la palanca de embrague de la hélice durante unos pocos segundos para limpiar toda la nieve o el hielo remanente de la canaleta de descarga antes de continuar despejando la nieve.

## Consejos De Operacion

**NOTA:** Dado que el motor no desarrollará su potencia plena hasta que alcance la temperatura de operación, permita que el motor se caliente por unos pocos minutos.



**ADVERTENCIA:** La temperatura del silenciador y de las áreas circundantes puede exceder 150°F. Evite esas áreas.

- Limpie la nieve inmediatamente después de caer, para una limpieza más eficiente de la misma.
- Despida la nieve en la dirección del viento siempre que sea posible. Superponga ligeramente cada pasada. La distancia a la que puede despedirse la nieve puede ajustarse alterando el ángulo del conjunto de la canaleta. Cuanto más agudo sea el ángulo más corta será la distancia a la que se despide la nieve.
- Gradúe las zapatas deslizantes a 1/4" por debajo de la barra raspadora para un uso normal. Las zapatas deslizantes pueden ajustarse hacia arriba para la nieve endurecida. Al usar sobre pedregullo o roca triturada, ajuste hacia abajo.
- Asegúrese de seguir las precauciones listadas abajo "Apagado del Motor" para prevenir una posible congelación.
- Después de cada uso limpie bien la limpiadora de nieve.



**ADVERTENCIA:** Nunca intente limpiar la canaleta ni efectuara ajustes mientras está funcionando el motor.

# MANTENIMIENTO

## Recomendaciones Generales

- Observe siempre las reglas de seguridad al efectuar el mantenimiento.
- La garantía en este expulsor de nieve no cubre artículos que han estado sujetos a abuso o negligencia por el operador. El operador debe mantener el expulsor de nieve según las instrucciones de este manual, para recibir el valor completo de la garantía.
- Para mantener adecuadamente su unidad, deben efectuarse ajustes periódicamente.
- Todos los ajustes en la Sección de Servicio y Ajustes de este manual deben inspeccionarse una vez por temporada por lo menos.
- Observe el programa de mantenimiento indicado abajo.
- Inspeccione periódicamente todos los sujetadores y asegúrese que estén bien ajustados.



**ADVERTENCIA:** Antes de efectuar cualquier ajuste o reparación, siempre apague el motor, **desconecte** el cable de la bujía y aléjelo de la bujía.

## Lubricación

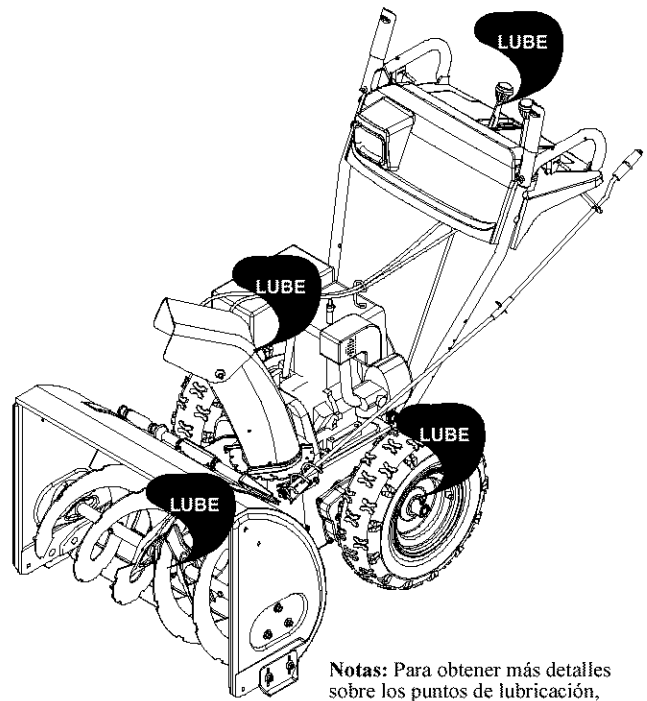
### Eje De Engranajes

- Lubrique el eje de engranajes con grasa una vez por temporada por lo menos o después de cada 25 horas de funcionamiento.

**IMPORTANTE:** Mantenga toda la grasa y aceite fuera de la rueda de fricción y de la placa propulsora.

### Mecanismo De Cambios

- Lubrique el mecanismo de cambios y los puntos de pivote en la vara de cambios con aceite de motor una vez por temporada por lo menos o después de cada 25 horas de funcionamiento.



**Notas:** Para obtener más detalles sobre los puntos de lubricación, vea las próximas cuatro figuras.

Figura 20: Lubricación charte

### Propulsor De Traccion/Control Del Propulsor De Traccion

- Lubrique las levas en los extremos de las varas de control que bloquean entre sí los controles del propulsor de tracción y de la hélice una vez por temporada por lo menos o cada veinticinco horas de funcionamiento con

## Responsabilidades del cliente

PROGRAMA DE MANTENIMIENTO		ANTES DE CADA USO	DESPUES DE CADA USO	PRIMERAS 5 HORAS	CADA 25 HORAS	CADA 50 HORAS	ANTES DE ALMACENAR	FECHAS DE SERVICIO*						
PRODUCTO	Lubrique los puntos de pivote			✓			✓							
	Limpie el expulsor de nieve		✓				✓							
	Limpie la placa raspadora				✓									
	Limpie las zapatas deslizantes				✓									
	Inspeccione las correas en V						✓							
	Inspeccione la goma de la rueda de fricción					✓								
MOTOR	Inspeccione el aceite del motor	✓												
	Cambie el aceite del motor			✓	✓									
	Limpie el filtro de aire				✓									
	Inspeccione la bujía						✓	✓						
	Inspeccione el silenciador						✓							

\* Anote las fechas a medida que completa el servicio regular

✓ Marca



grasa. Puede obtenerse acceso a las levas por debajo del panel del mango. Vea la Figura 21.

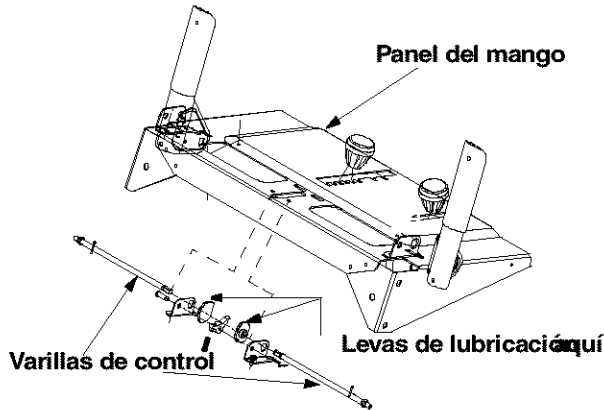


Figura 21

### Caja De Engranajes

- La caja de engranajes está lubricada con grasa de fábrica y no requiere inspección. Si se desarma por cualquier motivo, lubrique con 2 onzas de grasa.

### Rodamientos

- Lubrique una vez por temporada, los rodamientos de las hélices, los rodamientos de las ruedas y los rodamientos de la sección lateral del armazón, con aceite liviano.

### Tapón de cierre de tubería de ventilación

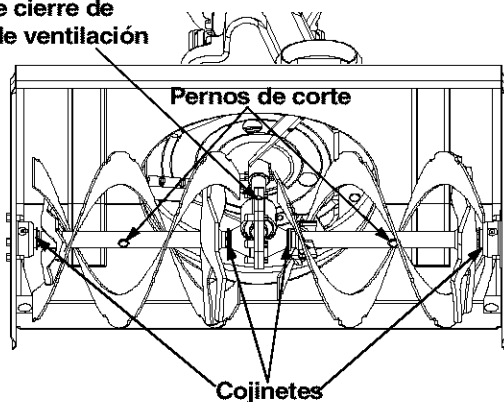


Figura 22

### Ruedas

- Coloque aceite o rocíe con lubricante dentro de los cojinetes de las ruedas por lo menos una vez por temporada. Tire de la clavija, saque las ruedas, limpie y recubra los ejes con una grasa de automóvil de multiuso. Vea Figura 23.

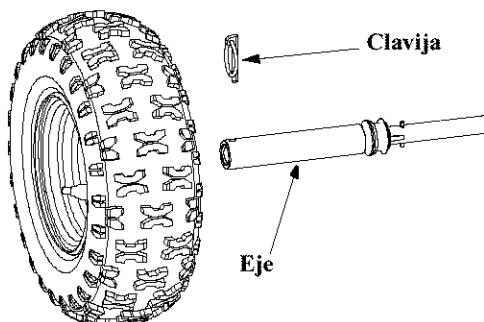


Figura 23

### Canaleta De Descarga

- La base de la canaleta de descarga y los espirales en la manivela de la canaleta deben lubricarse por lo menos cada 25 horas de uso. Aplique el lubricante debajo de la base de la canaleta y donde los espirales hagan contacto con la canaleta de descarga. Vea Figura 24.

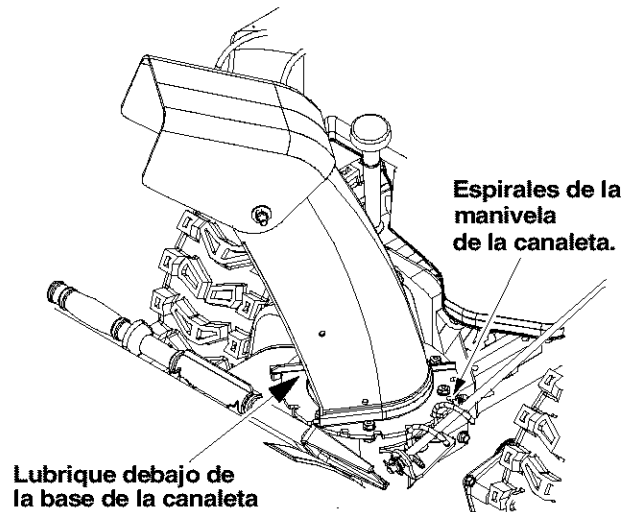


Figura 24

### Verificar Las Correas En V

Siga las instrucciones a continuación para verificar la condición de las correas propulsoras cada 50 horas de operación.

- Saque la cubierta de la correa de plástico en la parte frontal del motor extrayendo los dos tornillos autosuficientes.
- Inspeccione visualmente en busca de correas peladas, rotas, o excesivamente desgastadas.

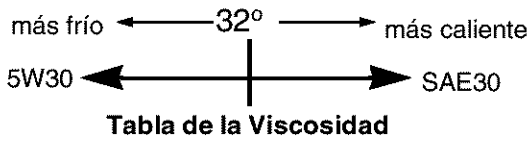
### Verificar La Rueda De Fricción

Siga las instrucciones a continuación para verificar la condición de la goma de la rueda de fricción cada 25 horas de operación.

- Saque los seis tornillos autosuficientes de la cubierta del bastidor por debajo del expulsor de nieve. Inspeccione visualmente la goma de la rueda de fricción en busca de desgaste excesivo, roturas o un ajuste flojo en el eje propulsor de la rueda de fricción.
- Asimismo, enganche el control de tracción y verifique si la rueda de fricción está haciendo contacto con la placa de fricción. Si no hace contacto, ajuste el cable propulsor de tracción y vuelva a chequear la rueda de fricción.
- Reemplace la goma de la rueda de fricción en caso de ser necesario.
- Una vez que ha concluido el mantenimiento de la rueda de fricción, vuelva a acoplar la cubierta del bastidor al expulsor de nieve habiendo extraído previamente la ferretería.

# Mantenimiento Del Motor

## Aceite De Motor



- Use aceite detergente de alta calidad solamente clasificado con la clasificación API de servicio SF, SG o SH. Seleccione el grado de viscosidad SAE del aceite de acuerdo con la temperatura operativa esperada.

**NOTA:** A pesar que los aceites de viscosidad múltiple (5W30, 10W30, etc.) mejore el arranque en tiempo frío, esos aceites de viscosidad múltiple resultarán en un consumo mayor de aceite cuando se usen a temperaturas superiores a 32°F. Para evitar averías posibles a su motor debidas a tener poco aceite, inspeccione el nivel de aceite de su expulsor de nieve más frecuentemente.

- Para una selección adecuada del aceite del motor, refiérase a la tabla de viscosidad. El aceite debe estar en la marca FULL de la varilla medidora, con el motor sobre un suelo nivelado.

## Cambio De Aceite

Cambie el aceite del motor después de las primeras dos horas de operación y cada 25 horas posteriormente.

- Apague el motor y espere varios minutos antes de inspeccionar el nivel de aceite. Extraiga el tapón de llenado de aceite y a varilla medidora.
- Frote limpia la varilla medidora, insértela firmemente dentro del orificio de llenado de aceite.
- Extraiga la varilla e inspeccione. Si el aceite no está hasta la marca FULL en la varilla, agregue aceite 5W30. Para cambiar el aceite cada 25 horas de operación, usted tendrá primero que drenar el aceite usado del motor y llenar con aceite fresco.

- Drene el aceite mientras el motor esté caliente. Extraiga el tapón de drenaje de aceite. Vierta el aceite en un recipiente adecuado. Vuelva a colocar seguramente el tapón de drenaje, cuando se ha drenado todo el aceite.
- Extraiga la varilla del tapón de llenado de aceite. Vea la Figura 17 para la ubicación del tapón de llenado de aceite. Vierta lentamente aceite fresco a través del tapón. Vuelva a colocar la varilla.
- Inspeccione y asegúrese que el nivel de aceite esté hasta la marca FULL en la varilla.



**ADVERTENCIA:** La temperatura del silenciador y de las áreas cercanas puede exceder los 150°F (65°C). Evite esas áreas.

## Bujía

- Limpie el área alrededor de la base de la bujía.
- Extraiga e inspeccione la bujía.
- Reemplace la bujía si los electrodos están mellados, quemados o está agrietada la porcelana. Para más detalles refiérase al manual del motor.
- Limpia la bujía y reajuste la separación .030" una vez por temporada por lo menos o cada 50 horas de operación. Se recomienda el reemplazo de la bujía al comienzo de cada temporada. Refiérase a la lista de piezas del motor para el tipo correcto de bujía. Vea la Figura 25.

**NOTA:** No limpie la bujía con chorro de arena. La bujía debe limpiarse raspando o cepillando con un cepillo de alambre y lavando con un solvente comercial.

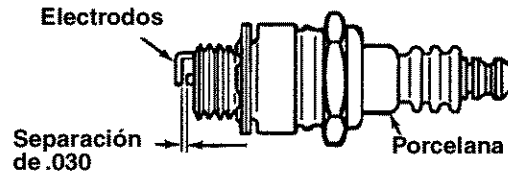


Figura 25

# SERVICE & AJUSTES



**ADVERTENCIA:** Antes de efectuar cualquier ajuste o reparación, siempre apague el motor, desconecte el cable de la bujía y aléjelo de la bujía. Mientras el motor está funcionando, nunca trate de limpiar la canaleta ni efectuar ajustes.

## Ajustes

### Zapata Deslizante

Puede ajustarse el espacio entre la plancha raspadora y el suelo. Para una limpieza de nieve más cercana al suelo coloque las zapatas deslizantes en la posición inferior. Cuando el área a limpiar es irregular, use la posición del medio o elevada.

- Ajuste las zapatas deslizantes aflojando las cuatro tuercas hexagonales y los pernos del carro y moviendo las zapatas deslizantes a la posición deseada.
- Asegúrese que toda la superficie inferior de la zapata deslizante esté contra el suelo para evitar un desgaste irregular de las zapatas deslizantes.
- Vuelva a ajustar bien las tuercas y pernos.

**NOTA:** No se recomienda que opere esta limpiadora de nieve sobre pedregullo ya que el pedregullo suelto puede ser fácilmente tomado y despedido por la espiral sin fin causando lesiones personales o daños a la limpiadora de nieve.

- Si por alguna razón, tiene que operar la limpiadora de nieve sobre pedregullo, mantenga la zapata deslizante en la posición superior para una separación máxima entre el suelo y la plancha raspadora.

### Embrague Del Propulsor De Tracción

Para ajustar el embrague del propulsor de tracción, refiérase a la sección de Ajuste Final de las Instrucciones de Preparación. Proceda como sigue para inspeccionar el ajuste:

- Con la limpiadora de nieve inclinada hacia adelante (asegúrese de drenar la gasolina o colocar un trozo de plástico debajo de la tapa de gasolina si ya se ha operado la limpiadora de nieve), extraiga la cubierta del bastidor debajo de la limpiadora de nieve extrayendo seis tornillos autoroscantes.
- Con el embrague del propulsor de tracción suelto, debe haber separación entre la rueda de fricción y la placa del propulsor en todas las posiciones de la palanca de cambios.
- Con el embrague de tracción enganchado, la rueda de fricción debe tocar la plancha del propulsor (ilustrado en la Figura 26).

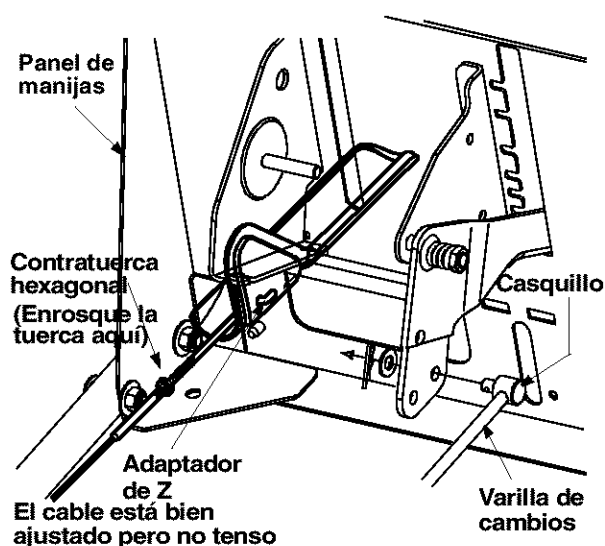
Si fuera necesario ajustar, afloje la contratuerca del cable del propulsor de tracción y enrolle el cable hacia adentro o afuera según sea necesario. Ajuste la contratuerca para asegurar el cable cuando se alcance el ajuste correcto.

**NOTA:** Recuerde de extraer la tela plástica si la colocó debajo de la tapa de gasolina.

### Vara De Cambios

Para ajustar la vara de cambios, proceda como sigue.

- Extraiga el broche del cabello y la arandela plana del casquillo debajo del panel de cambios. Extraiga el casquillo del orificio de la palanca de cambios. Vea la Figura 26.
- Coloque la palanca de cambios del panel del mango en la sexta (6) posición (todo hacia adelante).
- Presione hacia abajo sobre la vara de cambios (y conjunto del brazo de cambios) tan lejos como sea posible. Mantenga en esta posición.
- Enrosque el casquillo hacia arriba o hacia abajo de la vara de cambios según sea necesario hasta que el casquillo se alinee con el orificio superior de la palanca de cambios. Vea la Figura 26.
- Inserte el casquillo dentro del orificio superior de la palanca de cambios desde el lado derecho cuando el ajuste es correcto. Asegure con la arandela plana y el broche del cabello.



(Visto desde abajo del panel de manijas)

Figura 26

Inspeccione por el ajuste correcto del control del propulsor de tracción según instruido en la sección de Ajuste Final antes de operar el expulsor de nieve.

### Conjunto De La Canaleta

Puede ajustarse la distancia a la cual se despidе la nieve, mediante el ajuste del ángulo del conjunto de la canaleta. Refiérase a la sección de Control de este manual.

- Los cables de control remoto de la canaleta se han preajustado de fábrica. Para ajustar el ángulo del conjunto de la canaleta, avance y retroceda la palanca de control remoto de la canaleta en el panel de control.

## Service

### Helices

Las hélices están aseguradas al eje de la espiral mediante dos pernos de corte y contratuercas hexagonales. Si usted golpea un objeto extraño o se atasca con hielo, el expulsor de nieve está diseñado de

manera que los pernos hexagonales se cortarán. Vea la Figura 27.

- Si las hélices no giran, inspeccione para verificar si los pernos se han cortado.
- Reemplace si fuera necesario. Se han provisto dos pernos hexagonales y contratruercas hexagonales de repuesto con el expulsor de nieve.

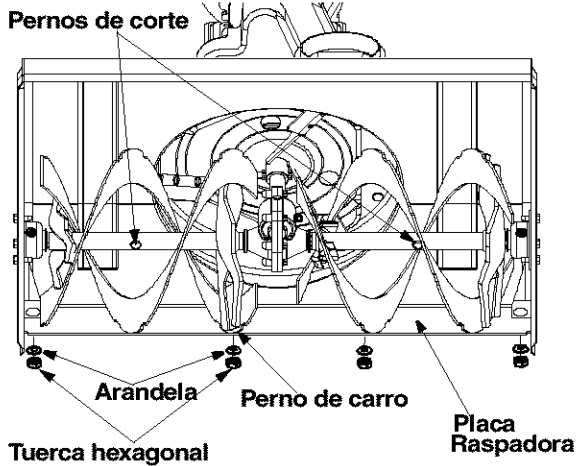


Figura 27

### Plancha Raspadora Y Zapatas Deslizantes

La plancha raspadora y las zapatas deslizantes en la parte inferior de la limpiadora de nieve están sujetas a desgaste. Las mismas deben inspeccionarse periódicamente y reemplazarse cuando fuera necesario.

- Extraiga los cuatro pernos del carro, arandelas belleville y tuercas hexagonales que fijan las zapatas deslizantes a la limpiadora de nieve de dos lados.
- Reensamble las nuevas zapatas deslizantes con los cuatro pernos de carro, arandelas belleville (el lado acopado se coloca contra las zapatas deslizantes) y tuercas hexagonales. Asegúrese que las zapatas deslizantes se ajusten para ser niveladas.
- Para extraer la plancha raspadora, extraiga la zapata deslizante y el resto de la ferretería incluyendo pernos de carro, arandelas belleville y tuercas hexagonales que fijan la plancha raspadora al bastidor de la limpiadora de nieve. Vea la Figura 27 para la ubicación de la plancha raspadora.
- Reensamble la nueva plancha raspadora, asegurándose que las cabezas de los pernos de carro estén del lado interior del bastidor. Vuelva a instalar la zapata deslizante. Ajuste bien.

### Reemplazo De La Correa



**ADVERTENCIA:** Desconecte el cable de la bujía de la bujía y de la conexión a tierra.

#### Correas de la espiral sin fin

- Reemplace la cubierta plástica de la correa al frente del motor, extrayendo los dos tornillos autoroscantes. Vea la Figura 28.

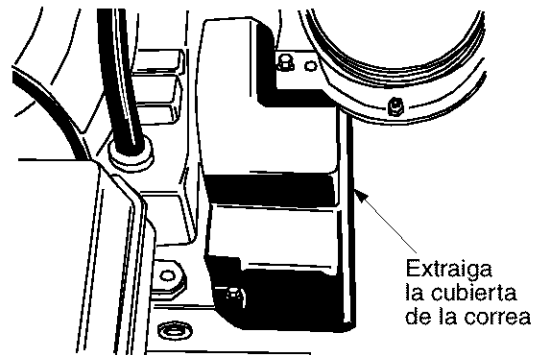


Figura 28

- Desconecte el conjunto de la manija de la canaleta extrayendo el broche de cabello y las dos arandelas planas. Vea la Figura 29.

Extraiga el broche de cabello y la arandela plana

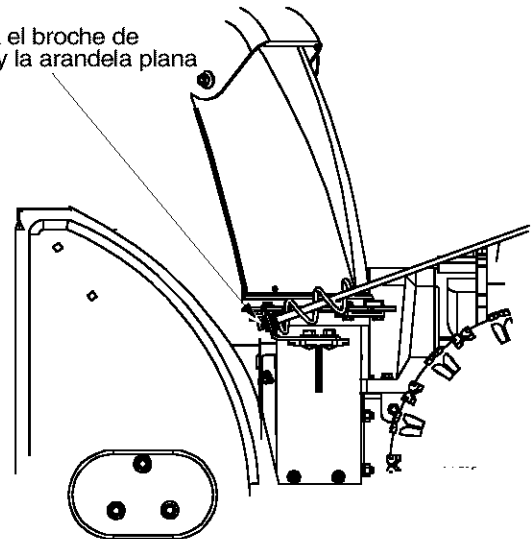


Figura 29

- Extraiga las seis tuercas hexagonales y arandelas de seguridad que fijan el conjunto del bastidor de la espiral sin fin al conjunto del bastidor. Vea la Figura 30.



**ADVERTENCIA:** No intente cambiar la correa de la espiral sin fin sin la ayuda de un asistente. Es muy importante que una persona, parada en la posición operativa, sujete firmemente el bastidor de la limpiadora de nieve para evitar que vuelque mientras que la otra persona reemplaza la correa. El no hacerlo así puede resultar en lesiones.

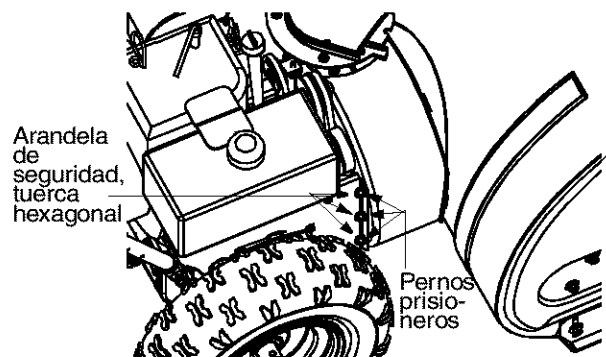


Figura 30

- Parándose en la posición operativa, levante de las manijas y tire hacia atrás el conjunto del bastidor. Se separarán el bastidor y la armadura y saldrá de la polea la correa de la espiral sin fin posterior. Mantenga el control del conjunto del bastidor al tirar del mismo.
- Extraiga las dos correas de las dos poleas del motor. Vea la Figura 31 para la ubicación de las poleas.

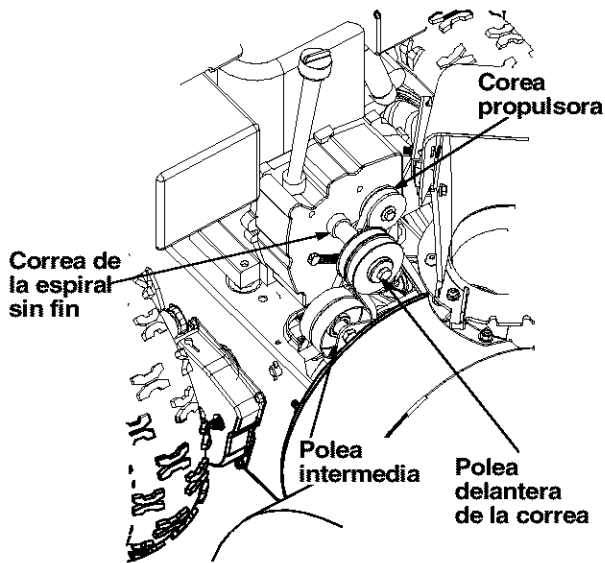


Figura 31

- Para extraer la correa propulsora de la espiral sin fin delantera, empuje la polea intermedia hacia la izquierda. La ménsula de la correa debe moverse hacia afuera. Vea la Figura 32. Levante la correa propulsora de la espiral sin fin delantera de la polea de la espiral sin fin delantera.

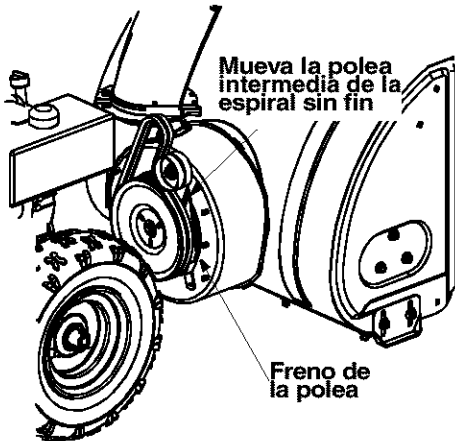


Figura 32

- Coloque nuevas correas en las dos poleas de las espirales sin fin asegurándose que la correa de la espiral sin fin delantera esté debajo del freno de la polea. Encamine las correas debajo de y hacia la izquierda de la polea plana intermedia. Mantenga las correas hacia arriba en esta posición.
- Al levantar de las manijas, acerque el conjunto del bastidor a la armadura de las espirales sin fin y coloque las dos correas en las poleas delantera y posterior del motor. Vea la Figura 33.

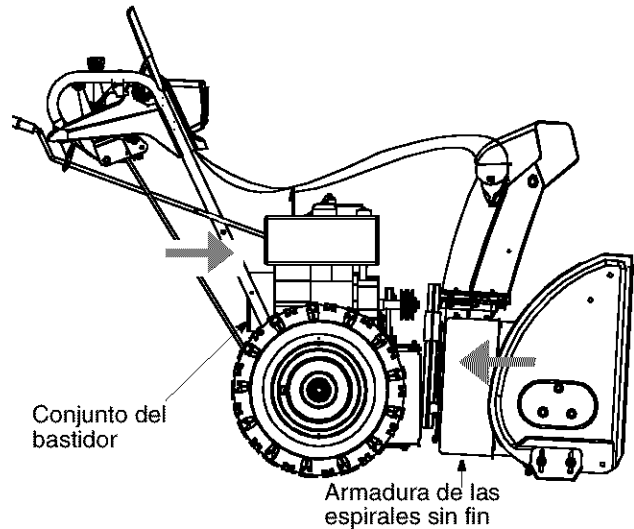


Figura 33

- Nivele el conjunto del bastidor e incline hacia adelante la armadura de las espirales sin fin para alinear los pernos prisioneros con los orificios correspondientes a ambos lados del conjunto del bastidor. Empuje el conjunto del bastidor completamente sobre los pernos prisioneros de la armadura de las espirales sin fin.

**NOTA:** Sea precavido para evitar apretar el cable de control.

- Del lado del conjunto del bastidor, inserte seis arandelas de seguridad y tuercas hexagonales en los pernos prisioneros. Estas piezas de ferretería fueron extraídas antes. Ajuste bien las tuercas.
- Vuelva a instalar la cubierta de la correa en la parte delantera del motor con los dos tornillos autoroscantes y las arandelas planas.
- Vuelva a fijar la manija de la canaleta al conjunto de la canaleta con el broche de cabello y la arandela plana.

**NOTA:** Asegúrese que el cable de la espiral sin fin esté encaminado al frente de la correa.

### Correa propulsora

- Drene la gasolina de la limpiadora de nieve o coloque un trozo de plástico debajo de la tapa de gasolina.
- Extraiga la cubierta plástica de la correa al frente del motor extrayendo los dos tornillos autoroscantes.
- Incline la limpiadora de nieve hacia arriba y adelante de manera que se apoye sobre la armadura.
- Extraiga los seis tornillos autoroscantes de la cubierta del bastidor debajo de la limpiadora de nieve.
- Separe la polea intermedia de la polea del propulsor y extraiga la polea de la polea del motor. Encontrará la polea intermedia en la parte delantera del motor y debajo de la cubierta de la correa que extrajo previamente. Vea la Figura 32.
- Trabajando desde la parte inferior del bastidor, deslice la correa entre la rueda de fricción y el disco de la rueda de fricción. Vea la Figura 34. Usted puede tener que retorcer plana la correa para deslizarla por la separación entre la rueda de fricción y el disco de la rueda de fricción. Extraiga completamente la correa.
- Coloque la nueva correa. Reensamble siguiendo las instrucciones en orden inverso.

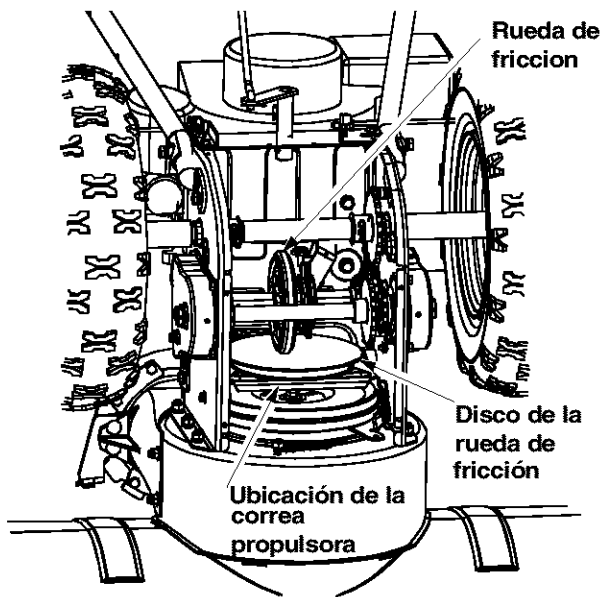


Figura 34

### Cambio De La Goma De La Rueda De Friccion

Inspeccione la goma de la rueda de fricción después de 25 horas de operación y periódicamente después. Si se hallan señales de desgaste o grietas, reemplace la goma.

- Drene la gasolina de la limpiadora de nieve o coloque un trozo de plástico debajo de la tapa de gasolina.
- Incline la limpiadora de nieve hacia arriba y adelante de manera que se apoye sobre la armadura.
- Extraiga los seis tornillos de la cubierta del bastidor, debajo de la limpiadora de nieve.
- Extraiga la clavija clik que asegura la rueda izquierda y extraiga la rueda del eje.
- Extraiga los cuatro tornillos que aseguran la cubierta del propulsor izquierdo al bastidor. Extraiga la cubierta del propulsor del lado del bastidor. Vea la Figura 35.

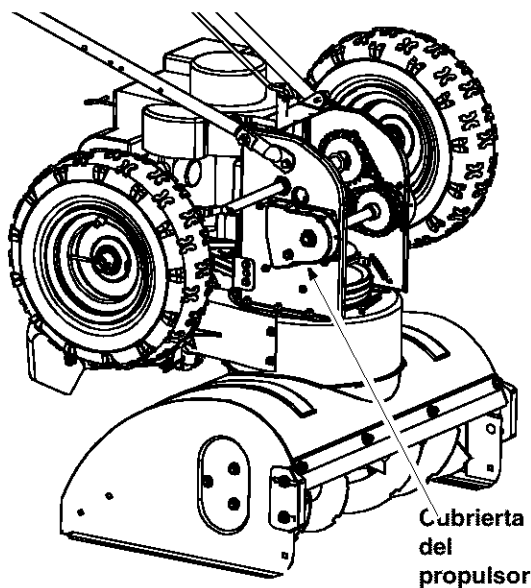


Figura 35

- Sujetando el conjunto de la rueda de fricción, deslice el eje hexagonal fuera del lado izquierdo de la unidad. Caerá el separador del lado derecho del eje hexagonal y el piñon deberá colgar suelto en la cadena.

- Levante el conjunto de la rueda de fricción entre el eje y los conjuntos del eje propulsor.
- Extraiga los seis tornillos de ambos lados del conjunto de la rueda. Extraiga la goma de la rueda de fricción de entre la plancha de la rueda de fricción.
- Reensamble la nueva goma de la rueda de fricción al conjunto de la rueda de fricción, ajustando los seis tornillos en rotación y con igual fuerza (Figura 36).

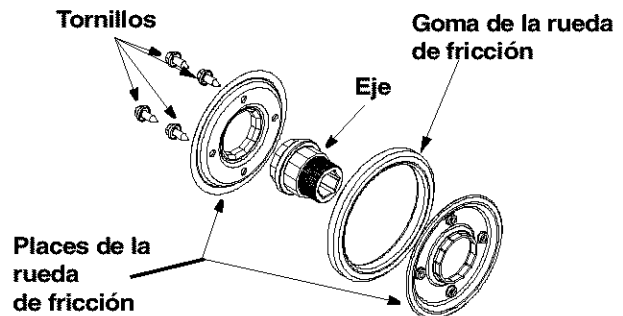


Figura 36

**NOTA:** Es importante ensamblar simétricamente la goma en la rueda de fricción para un funcionamiento apropiado.

- Inserte la clavija del conjunto del brazo de cambios dentro del conjunto de la rueda de fricción y mantenga el conjunto en posición. Vea la Figura 37.

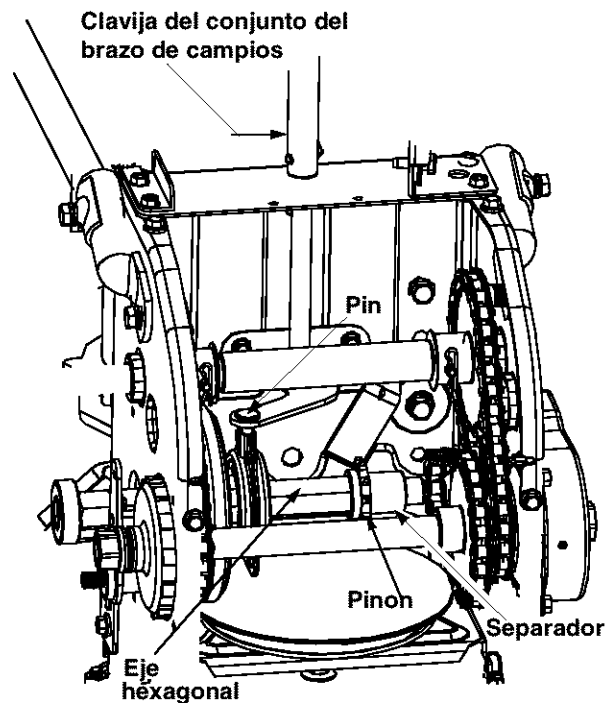


Figura 37

- Deslice el eje hexagonal a través del lado izquierdo de la armadura y a través del conjunto de la rueda de fricción.
- Inserte el eje hexagonal a través del piñon y del separador. Vea la Figura 37. Asegúrese que la cadena enganche los piñones pequeño y grande.

**NOTA:** Coloque el piñon en el eje hexagonal, si el mismo cayó de la limpiadora de nieve al extraer el eje hexagonal. Coloque en posición el cubo hexagonal del piñon hacia la rueda de fricción al deslizar el piñon sobre el eje hexagonal.

- Alinee el eje hexagonal con el rodamiento derecho y guíe cuidadosamente el rodamiento izquierdo dentro del lado izquierdo de la armadura.
- Reensamble la cubierta del propulsor con los cuatro tornillos que se extrajeron antes.

**NOTA:** *Asegúrese de extraer el trozo de plástico colocado debajo de la tapa de gasolina, de haberlo colocado.*

## Carburador

Si usted considera que el carburador necesita ser ajustado, consulte con su Servicio Técnico autorizado de Sears más cercano.

Si su expulsor de nieve no se usa durante 30 días o más,

debe ser preparado para su almacenamiento. Asimismo, al finalizar la temporada de nieve, debe seguir las mismas instrucciones y almacenar el expulsor de nieve correctamente para la estación sin nieve. El almacenamiento adecuado garantiza una vida más prolongada de nieve.



**ADVERTENCIA:** En caso de que se hagan ajustes al motor mientras esté funcionando (por ejemplo carburador), manténgase a distancia de todas las partes móviles. Tenga cuidado con las superficies recalentadas y con el silenciador.

# ALMACENAMIENTO DE FUERA DE TEMPORADA

## Preparación del motor



**ADVERTENCIA:** Nunca almacene el motor con combustible en el tanque, bajo techo o en áreas mal ventiladas, donde los humos del combustible pueden llegar a una llama expuesta, chispas o una llama piloto ni sobre una cochina, calentador de agua, secador de ropas ni otros artefactos a gas

Si la unidad va a almacenarse por más de 30 días, prepare para almacenamiento como sigue:



Es importante evitar que se formen depósitos de goma en las partes esenciales del sistema de combustible del motor tales como el carburador, filtro de combustible, manguera de combustible o tanque durante el almacenamiento. También, la experiencia indica que los combustibles mezclados con alcohol (llamados gasohol o usando etanol o metanol) pueden atraer humedad que conduce a la separación y formación de ácidos durante el almacenamiento. El gas ácido puede averiar el sistema de combustible de un motor mientras esté en almacenamiento.

- Extraiga toda la gasolina del carburador y del tanque de combustible para prevenir que se formen depósitos de goma sobre esas piezas y causando un mal funcionamiento posible del motor.
- Haga funcionar el motor hasta que se vacíe el tanque de combustible y el motor se apague debido a la falta de combustible.
- Drene el carburador presionando hacia arriba sobre el drenaje del tazón, ubicado debajo de la cubierta del carburador. Vea la Figura 38.

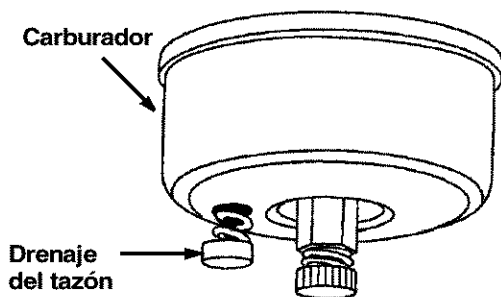


Figura 38



**ADVERTENCIA:** Drene el combustible dentro de un recipiente aprobado al aire libre, alejado de las llamas expuestas. Asegúrese que el motor esté frío. No fume.

- El combustible dejado en el motor durante el tiempo caluroso se deteriora y causa problemas graves de arranque.

**NOTA:** El estabilizador de combustible (tal como STA-BIL) es una alternativa aceptable para minimizar la formación de depósitos de goma de combustible durante el almacenamiento. Siga siempre la relación de mezcla indicada en el recipiente del estabilizador. Haga funcionar el motor por 10 minutos por lo menos después de agregar estabilizador para permitirle que llegue al carburador. No drene el carburador si usa estabilizador de combustible.



**ADVERTENCIA:** Drene el combustible dentro de un recipiente aprobado al aire libre, alejado de las llamas expuestas. Asegúrese que el motor esté frío. No fume.

- El combustible dejado en el motor durante el tiempo caluroso se deteriora y causa problemas graves de arranque.



**ADVERTENCIA:** Si usa estabilizador de combustible, no drene el carburador. Nunca use productos limpiadores de motor o carburador en el tanque de combustible ya que pueden ocurrir daños permanentes.

**NOTA:** El estabilizador de combustible (tal como STA-BIL) es una alternativa aceptable para minimizar la formación de depósitos de goma de combustible durante el almacenamiento. Siga siempre la relación de mezcla indicada en el recipiente del estabilizador. Haga funcionar el motor por 10 minutos por lo menos después de agregar estabilizador para permitirle que llegue al carburador. No drene el carburador si usa estabilizador de combustible.

- Extraiga la bujía y vierta una (1) onza de aceite de motor a través del orificio de la bujía dentro del cilindro. Intente arrancar el motor varias veces para distribuir el aceite. Vuelva a colocar la bujía.

## Preparación del Expulsor de Nieve

- Al almacenar cualquier tipo de equipo motorizado en un galpón de almacenamiento no ventilado o de metal, debe tenerse cuidado en proteger el equipo contra la oxidación. Recubra el equipo, usando un aceite liviano o siliconas, especialmente las cadenas, resortes, rodamientos y cables.
- Limpie toda la suciedad del exterior del motor y del equipo.
- Siga las recomendaciones de lubricación en la página 54. Almacene en un área limpia y seca.

# TABLA DE LOCALIZACION DE FALLAS

Problema	Causa(s)	Accion correctora
El motor funciona errático	Unidad funcionando en CHOKE (REGULADOR) Tubería de gasolina bloqueada o combustible rancio. Agua o suciedad en el sistema de combustible. Carburador mal ajustado.	Mueva la palanca del regulador a la posición OFF. Limpie la tubería de combustible, llene el tanque con gasolina limpia y fresca. El combustible no durará más de treinta días a menos que se use un estabilizador de combustible. Drene el tanque de combustible. Llene con combustible fresco. Refiérase al manual del motor empacado con su unidad o haga ajustar su carburador por un distribuidor autorizado de servicio.
Pérdida de potencia	Cable de la bujía flojo. Orificio de ventilación de la tapa de gasolina taponado. Orificio de escape taponado.	Conecte y ajuste el cable de la bujía. Extraiga el hielo y la nieve de la tapa. Asegúrese que esté despejado el orificio de ventilación. Limpie-vea la sección de Mantenimiento del manual del motor.
El motor caliente en exceso	El carburador no está bien ajustado.	Refiérase al manual del motor empacado con su unidad o haga ajustar su carburador por un distribuidor autorizado de servicio.
Vibración excesiva	Piezas flojas o dañadas de la espiral sin fin.	Apague inmediatamente el motor y desconecte el cable de la bujía. Ajuste todos los pernos y tuercas. Efectúe todas las reparaciones necesarias. Haga que la unidad sea reparada por un distribuidor autorizado de servicio, si la vibración continúa.
La unidad falla en propulsarse	Mal ajuste del cable propulsor. Correa propulsora floja o dañada. Goma de la rueda de fricción gastada.	Ajuste el cable propulsor. Refiérase a la sección de Ajustes de este manual. Reemplace la correa propulsora. Refiérase a Reemplazo de la Correa en la sección de Mantenimiento de este manual. Reemplace la goma siguiendo las instrucciones.
La unidad no descarga nieve	Canaleta de descarga taponada  Objeto extraño atrapado en la espiral sin fin Ajuste incorrecto del cable propulsor. Correa propulsora floja o dañada.	Apague inmediatamente el motor y desconecte el cable de la bujía. Limpie la canaleta de descarga y el interior de la armadura de la espiral sin fin. Apague inmediatamente el motor y desconecte el cable de la bujía. Extraiga el objeto de la espiral sin fin. Ajuste el cable propulsor. Refiérase a la sección de Ajustes de este manual. Reemplace la correa propulsora. Refiérase a la sección de Ajustes de este manual. Reemplace la correa propulsora. Refiérase a reemplazo de la correa en la sección de mantenimiento de este manual.

# Get it fixed, at your home or ours!

## Your Home

For repair – **in your home** – of **all** major brand appliances, lawn and garden equipment, or heating and cooling systems, **no matter who made it, no matter who sold it!**

For the replacement parts, accessories and owner's manuals that you need to do-it-yourself.

For Sears professional installation of home appliances and items like garage door openers and water heaters.

**1-800-4-MY-HOME®** (1-800-469-4663)

Call anytime, day or night (U.S.A. and Canada)

[www.sears.com](http://www.sears.com)    [www.sears.ca](http://www.sears.ca)

## Our Home

For repair of carry-in items like vacuums, lawn equipment, and electronics, call or go on-line for the location of your nearest **Sears Parts & Repair Center.**

**1-800-488-1222**

Call anytime, day or night (U.S.A. only)

[www.sears.com](http://www.sears.com)

To purchase a protection agreement on a product serviced by Sears:

**1-800-827-6655** (U.S.A.)

**1-800-361-6665** (Canada)

Para pedir servicio de reparación a domicilio, y para ordenar piezas:

**1-888-SU-HOGAR<sup>SM</sup>**

(1-888-784-6427)

Au Canada pour service en français:

**1-800-LE-FOYER<sup>MC</sup>**

(1-800-533-6937)

[www.sears.ca](http://www.sears.ca)

# SEARS