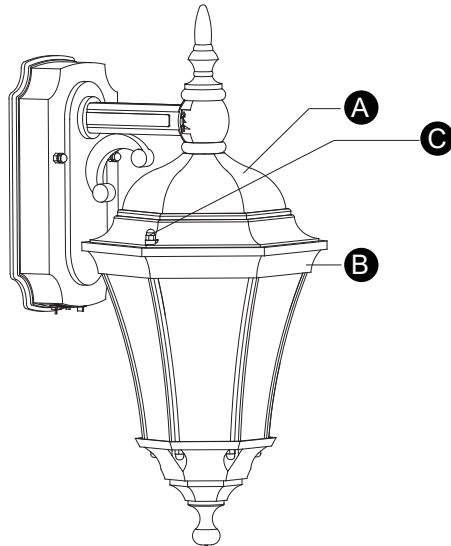




Questions, problems, missing parts?

Before returning to your retailer, call our customer service at 1-800-887-6326
Monday – Friday 9:00 a.m. – 5:00 p.m. CST

PACKAGE CONTENTS



HARDWARE CONTENTS Note: Hardware not shown actual size.

AA		Cross Bar Unit X1	BB		Mounting Screw X2
CC		Wire Connector X3	DD		Bolt Nut X2
EE		Bottom Finial X1	FF		Plastic Screw X1
GG		Top Finial X1			

SAFETY INFORMATION

Please read and understand this entire manual before attempting to assemble, operate or install the product.

WARNING

- Turn off electricity at main fuse box (or circuit breaker box) before beginning installation by removing fuse (or switching off circuit breaker).
- Be careful not to damage or cut the wire insulation (covering) during fixture installation. Do not permit wires to contact any surface having a sharp edge. To do so may damage or cut the wire insulation, which could cause serious injury or death from electric shock.

CAUTION

- All electrical connections must be in agreement with local codes, ordinances or the national electric code (NEC). Contact your municipal building department to learn about your local codes, permits and/or inspections.
- Risk of fire – most dwellings built before 1985 have supply wire rated for 140°F/60°C. Consult a qualified electrician before installation.
- Do not connect this fixture to an electrical system that does not provide a means for equipment grounding. Never use a fixture in a two-wire system that is not grounded. If you are not sure your lighting system has a grounding means, do not attempt to install this fixture. Contact a qualified, licensed electrician for information with regards to proper grounding methods as required by the local electrical code in your area.
- Only general ON/OFF wall switch applies for this fixture, the dimmable wall switch shouldn't be required.

Maximum Wattage: 100W

Work Temperature: - 4°F~104°F

PREPARATION

Before beginning assembly, installation or operation of product, make sure all parts are present. Compare parts with package contents list and diagram on previous page. If any part is missing or damaged, do not attempt to assemble, install or operate the product. Contact customer service for replacement parts.

Tools Required for Assembly (not included): Slotted Screwdriver, Phillips Screwdriver, Pliers, Electrical Tape, Wire Cutters, Safety Glasses, Ladder, Wire Stripper.

ASSEMBLY INSTRUCTIONS

Important to know

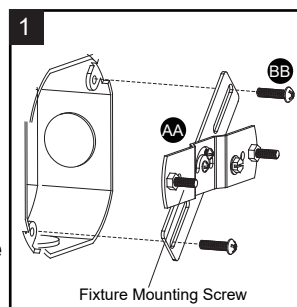
1. This fixture requires a 120VAC, 60Hz power source.
2. Make sure the power is switched OFF before installation.
3. Motion sensor: turns light ON automatically when motion is detected and turns light OFF automatically when motion stops.
4. Photocell keeps the light OFF during the daytime.

Installation Steps

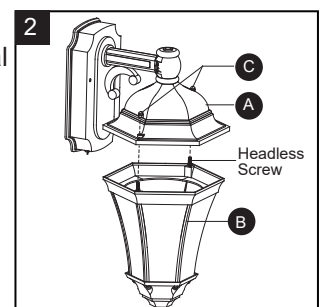
Turn off the power at fuse or circuit box.

1. Attach cross bar unit (AA) to outlet box using two mounting screws (BB). Adjust the length of the fixture mounting screws if necessary.

Note: Make sure that the fixture mounting screws are lined up horizontally to make the fixture level.

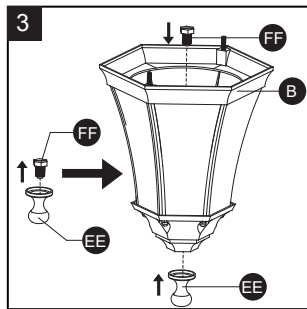


2. Remove the decorative cap nuts (C) to separate the metal frame (B) from the main fixture (A).

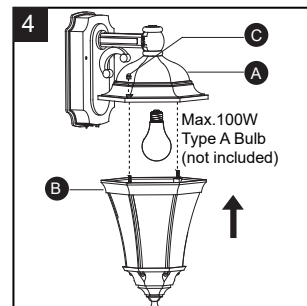


ASSEMBLY INSTRUCTIONS (continued)

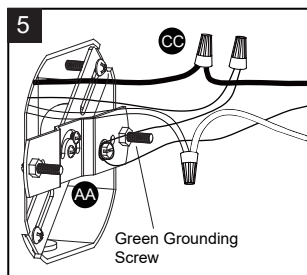
3. Remove the plastic screw (FF) from the bottom finial (EE), and then thread the plastic screw through the hole of the metal frame (B), and secure it with the bottom finial (EE).



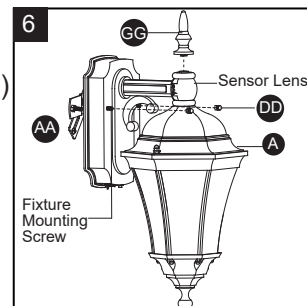
4. Install the bulb (not included). Attach the metal frame (B) back to the main fixture (A), and secure it with two decorative cap nuts (C).



5. Pull out the source wires from the outlet box. Make wire connections using wire connectors (CC) as follows:
- Connect the hot wire (usually black insulation) from the fixture to the black wire from the power source.
 - Connect the neutral wire (usually white insulation) from the fixture to the white wire from the power source.
 - Attach the fixture grounding wire (usually green insulation or bare wire) to the cross bar unit (AA) with the green grounding screw. Then, depending on local code, connect it to the house grounding wire with the wire connector (CC).



6. Attach the top finial (GG) to the top of the sensor lens. Unscrew the two bolt nuts (DD) from the cross bar unit (AA). Attach the backplate of the main fixture (A) to the cross bar unit (AA) by aligning and inserting the two fixture mounting screws from the cross bar unit (AA) into the open holes on the backplate, then screw the two bolt nuts (DD).



Note: With silicone caulking compound, caulk completely around where the backplate meets with the wall surface to prevent water from seeping into the outlet box.

Carefully put all of the wires back into the outlet box.

Turn on the power at fuse or circuit box.

FUNCTION AND OPERATION

Choose a mode by rotate the knob on the bottom of the back plate. When power is first applied, the light will turn on immediately. Wait for 15 seconds to allow the sensor to warm up.

1. TEST MODE (daytime or nighttime operation)

- Rotate knob on the bottom of back plate to the "TEST" position.
 - When rotate the MODE SELECTOR knob to "SECURITY", and rotate "TEST/TIME" knob arrow to point to "TEST", It is turned off after warming up. It is turned on when the motion is detected, and stayed on as long as the motion continues. It is turned off about 5~30 seconds after the motion is no longer detected.
 - When rotate the MODE SELECTOR knob to "DUSK TO DAWN", and rotate "TEST/TIME" knob arrow to point to "TEST", it is turned on no matter whether the motion is detected or not.

2. DUSK TO DAWN MODE (nighttime operation only)

- To shift to "DUSK TO DAWN" mode, rotate the mode selector knob to "DUSK TO DAWN", and rotate "TEST/TIME" knob clockwise by 90° (the photocell is exposed). At dusk the light is turned on automatically, and the light is turned off automatically at dawn.

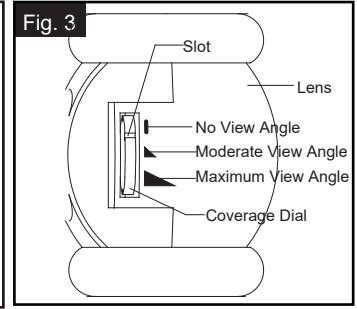
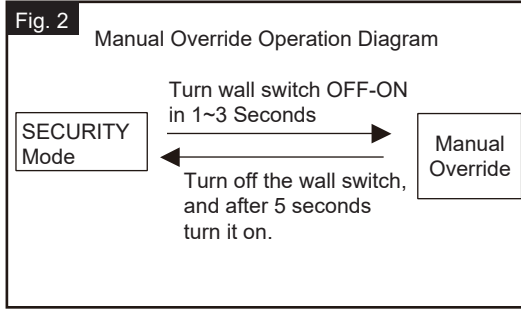
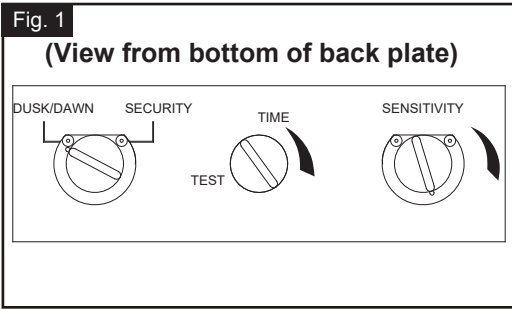
3. SECURITY MODE (nighttime operation only)

- To shift to "SECURITY" mode, rotate the mode selector knob to "SECURITY", and rotate "TEST/TIME" knob clockwise to point to the desired time setting (between 5 seconds and 10 minutes). At dusk, when motion is detected, the light is turned on and stayed on as long as motion continues. When the motion is no longer detected, the light is remained on for the predetermined time you set (5s ~ 10min), and then turned off automatically.
- The light is turned off automatically at dawn.

4. Manual Override Mode (nighttime operation only) (See Fig.2)

- To temporarily override the settings in "SECURITY" mode for continuous on at night, rotate the mode selector knob to "SECURITY", and rotate "TEST/TIME" knob clockwise away from "TEST" position, turn the wall switch "OFF" then turn it "ON" within 1~3 seconds, the light is remained on all night long. To shift back to "SECURITY" mode, turn the wall switch "OFF", 5 seconds later, turn it "ON", the light is reset to initial state, wait for warming up then the light is reverted back to "SECURITY" mode.
- The light is turned off automatically at dawn.

FUNCTION AND OPERATION (continued)



Customization Options

Shut-off Delay

The Shut-off delay is the length of time the light will stay on after motion has ceased to be detected.

This Shut-off delay can be set when operation is in "SECURITY" mode by using the "TEST/TIME" knob located on the bottom of the back plate (See Fig.1) . To increase the shut-off delay, turn the knob clockwise. To decrease shut off delay, turn the knob counterclockwise. The delay may be adjusted from a minimum of 5 seconds to a maximum of 10 minutes. The light will stay on as long as motion is detected continuously and will automatically turn off when no more motion is detected after the delay time has passed.

Sensitivity of Motion Sensor

The sensitivity of the motion sensor can be adjusted by using the "SENSITIVITY" knob located on the bottom of the back plate (See Fig.1). To increase sensitivity, turn the knob clockwise. To decrease sensitivity, turn the knob counterclockwise. The sensitivity may be adjusted from a minimum of 5 feet to a maximum of 30 feet.

Adjust The View Angle of Motion Sensor

Rotate the mode selector knob to "SECURITY", and rotate "TEST/TIME" knob arrow to point to "TEST" (See Fig.1), walk in the tested area, when the motion is detected, the light is came on, move to another tested spot, do the same action to check the coverage area of motion detector. There are two coverage dials in the left and right of the lens.

When the slot in the coverage dial is aligned to " | " (no view angle), the built-in detector is covered, the light does not have motion sensor function.

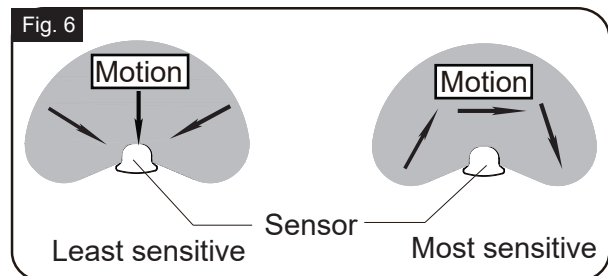
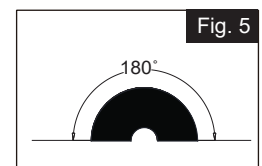
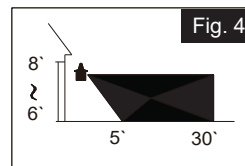
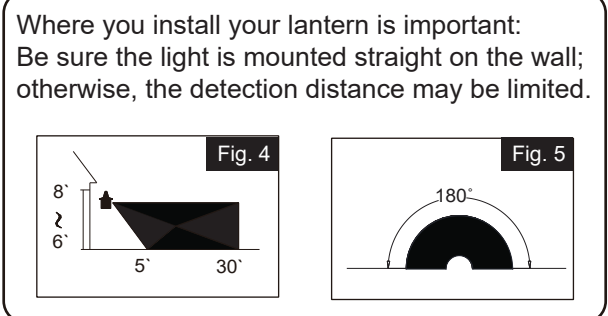
When the slot in the coverage dial is aligned to " ▲ " (moderate view angle), the built-in detector is covered a portion, the view angle is reduced.

When the slot in the coverage dial is aligned to " ▲ " (maximum view angle), the built-in detector is not covered, the view angle is maximum.

Rotate either side of the left or right coverage dial or both side of coverage dials to choose desired view angle (See Fig.3).

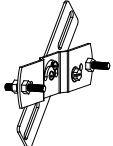
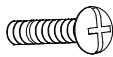
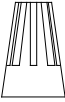
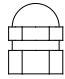
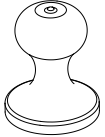
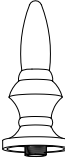
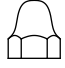
NOTE:

1. The sensitivity of the motion sensor will increase as the environmental temperature gets cooler. For best performance, gently clean the lens with a soft cloth every 1 or 2 months to assure maximum sensitivity.
2. For best performance, install fixture at least 6 feet above the ground. At such a height, the fixture will provide a detection distance of up to 30 feet at 77 degrees Fahrenheit. (See Fig.4)
3. The sensor detects across a detection range of 180 degrees. (See Fig.5)
4. The sensor will be more sensitive to motion across its detection path than motion directly towards it. (See Fig.6)
5. To reduce possible nuisances, do not mount the fixture near a heat source like an air conditioner, vent or furnace exhaust, or in a direction facing any reflecting object or other light source.



The following parts are available for reorder if damaged or missing. Call our toll free at 1-800-887-6326.

Spare Parts List:

AA		Cross Bar Unit X1	BB		Mounting Screw X2	← Assembly Kit 4807MM (1 SET)
CC		Wire Connector X3	DD		Bolt Nut X2	
EE		Bottom Finial X1 4805FF	GG		Top Finial X1 4807FF	
						Decorative Cap Nut X2 4805CT

CARE AND MAINTENANCE

Clean the glass and coated metal surfaces with a non-abrasive cleaner. Do not use any cleaners with chemicals, solvents or harsh abrasives, The motion detecting lens is coated with a specially painted finish and requires special care when cleaning. Use only a soft dry cloth to dust or wipe the lens area. Another area that will need special attention is the photocell window located right near to the "TIME/TEST" knob. The photocell detects light through this small window. Keep this area clean to prevent dirt from collecting. Excessive accumulation of dirt or dust on the photocell window may cause the lights to come on during the day.

TROUBLESHOOTING

PROBLEM	POSSIBLE CAUSE	CORRECTIVE ACTION
If the light will not come on	There may be a poor connection between the lamp fixture and supply wires inside the outlet box.	Double check the wire connections.
	The photocell may be detecting daylight and preventing the light from coming on.	Turn the "TIME/TEST" knob to the TEST position to turn off the photocell, or wait until dusk and recheck.
	Bulb may need replacement.	Remove bulb and check for a break in the filament wire. Replace bulb if necessary.
	Coverage dial on either side of the motion detector lens may be set so that the detector is blocked.	Turn the dials downward to increase the coverage area.
	Motion detector lens may be installed upside down. Gently pull lens out. The three drain holes should be on the bottom.	Re-install lens to proper position.
	The fixture will only operate on standard 120VAC/60Hz power.	Have power supply checked by qualified electrician.



TROUBLESHOOTING (continued)

PROBLEM	POSSIBLE CAUSE	CORRECTIVE ACTION
If the light Stays on	The SENSITIVITY may be set too high.	Try reducing the SENSITIVITY in small steps.
	Motion detector lens may be installed upside down.	Gently pull lens out. The three drain holes should be on the bottom. Re-install in proper position.
	The coverage area may be too large and the motion detector is sensing unwanted motion.	Try adjusting the coverage dials on either side of the motion detector lens upward to reduce the coverage area.
	There may not be enough light being detected by the photocell.	On cloudy or overcast days, the light may stay on longer than intended. No corrective action needed.
If the light flashes or blinks	The photocell maybe detecting light from the lamp and could be responding as if the light from the bulb were daylight.	Try lower wattage bulb.
Light will not go on or off	Shut-off delay time is too short.	To increase the shut-off delay time, rotate the knob clockwise.
In Manual override, the light is not stayed on at dusk	Too much light is shining onto sensor due to another light source, such as a street lamp or other light fixture.	Eliminate or turn off other light source, block other light source from shining onto sensor, or relocate fixture.

If unable to fix any of the above issues, please consult a certified electrician.

FIVE-YEAR LIMITED WARRANTY: If, during normal use, this PATRIOT LIGHTING® lighting fixture breaks or fails due to a defect in material workmanship within five (5) years from the date of original purchase, simply bring this lighting fixture with the original sales receipt back to your nearest MENARDS® retail store. At its discretion, PATRIOT LIGHTING® agrees to have the product or any defective part(s) repaired or replaced with the same or similar PATRIOT LIGHTING® product or part free of charge, within the stated warranty period, when returned by the original purchaser with original sales receipt. This warranty; (1) excludes expendable parts including but not limited to light bulbs; (2) does not cover damage that has resulted from abuse or misuse; and (3) does not cover any losses, labor, injuries to persons/property or costs. This warranty does give you specific legal rights and you may have other rights, which vary from state to state.



Questions, problems, missing parts?

Before returning to your retailer, call our customer service at 1-800-887-6326
Monday – Friday 9:00 a.m. – 5:00 p.m. CST