

GB

DRAPER[®]

STORMFORCE

230V 450mm

HEDGE TRIMMER

03704



These instructions accompanying the product are the original instructions. This document is part of the product, keep it for the life of the product passing it on to any subsequent holder of the product. Read all these instructions before assembling, operating or maintaining this product.

This manual has been compiled by Draper Tools describing the purpose for which the product has been designed, and contains all the necessary information to ensure its correct and safe use. By following all the general safety instructions contained in this manual, it will ensure both product and operator safety, together with longer life of the product itself.

All photographs and drawings in this manual are supplied by Draper Tools to help illustrate the operation of the product.

Whilst every effort has been made to ensure the accuracy of information contained in this manual, the Draper Tools policy of continuous improvement determines the right to make modifications without prior warning.

1. TITLE PAGE

1.1 INTRODUCTION:

USER MANUAL FOR: 230V 450mm Hedge Trimmer

Stock No's: 03704

Part No's: HT450

1.2 REVISIONS:

Date first published October 2021.

As our user manuals are continually updated, users should make sure that they use the very latest version.

Downloads are available from: <http://drapertools.com/manuals>

Draper Tools Limited
Hursley Road
Chandler's Ford
Eastleigh
Hampshire
SO53 1YF
UK

Draper Tools Limited
Oude Graaf 8
6002 NL
WEERT
Netherlands

Website: drapertools.com

Product Help Line: +44 (0) 23 8049 4344

General Fax: +44 (0) 23 8026 0784

1.3 UNDERSTANDING THIS MANUALS SAFETY CONTENT:

Warning! – Information that draws attention to the risk of injury or death.

Important – Information that draws attention to the risk of damage to the product or surroundings.

1.4 COPYRIGHT © NOTICE:

Copyright © Draper Tools Limited.

Permission is granted to reproduce this publication for personal and educational use only. Commercial copying, redistribution, hiring or lending is prohibited.

No part of this publication may be stored in a retrieval system or transmitted in any other form or means without written permission from Draper Tools Limited.

In all cases this copyright notice must remain intact.

2. CONTENTS

2.1 TABLE OF CONTENTS

1. TITLE PAGE	
1.1 INTRODUCTION.....	2
1.2 REVISIONS.....	2
1.3 UNDERSTANDING THIS MANUALS SAFETY CONTENT	2
1.4 COPYRIGHT © NOTICE.....	2
2. CONTENTS	
2.1 TABLE OF CONTENTS	3
3. WARRANTY	
3.1 WARRANTY.....	4
4. INTRODUCTION	
4.1 SCOPE.....	5
4.2 SPECIFICATION.....	5
4.3 HANDLING AND STORAGE.....	5
5. HEALTH AND SAFETY INFORMATION	
5.1 GENERAL SAFETY INSTRUCTIONS FOR POWER TOOL USE	6
5.2 SPECIFIC SAFETY INSTRUCTIONS FOR 230V HEDGE TRIMMERS.....	7
5.3 RESIDUAL RISK.....	8
5.4 CONNECTION TO THE POWER SUPPLY.....	8
6. TECHNICAL DESCRIPTION	
6.1 IDENTIFICATION.....	10
7. UNPACKING AND CHECKING	
7.1 PACKAGING	11
8. OPERATION	
8.1 POWER SUPPLY.....	12
8.2 TWO PART SAFETY SWITCH	12
8.3 CABLE RESTRAINT	12
8.4 BLADE SAFETY RAIL.....	12
8. OPERATION	
8.6 HEDGE CUTTING TECHNIQUES.....	13
9. MAINTENANCE AND TROUBLESHOOTING	
9.1 CLEANING AND LUBRICATION	14
9.2 SERVICING	15
9.3 REPLACING THE POWER CABLE.....	15
9.4 TROUBLESHOOTING GUIDE.....	15
10. DISPOSAL	
10.1 DISPOSAL	16
11. EXPLANATION OF SYMBOLS	
11.1 EXPLANATION OF SYMBOLS.....	17

3. WARRANTY

3.1 WARRANTY

Draper tools have been carefully tested and inspected before shipment and are guaranteed to be free from defective materials and workmanship.

Should the tool develop a fault, please return the complete tool to your nearest distributor or contact:

Draper Tools Limited, Chandler's Ford, Eastleigh, Hampshire, SO53 1YF. England.

Telephone Sales Desk: +44 (0) 8049 4333 or Product Help Line +44 (0) 23 8049 4344.

A proof of purchase **must** be provided with the tool.

If upon inspection it is found that the fault occurring is due to defective materials or workmanship, repairs will be carried out free of charge. This warranty period covering parts/labour is 12 months from the date of purchase except where tools are hired out when the warranty period is 90 days from the date of purchase. This warranty does not apply to any consumable parts, any type of battery or normal wear and tear, nor does it cover any damage caused by misuse, careless or unsafe handling, alterations, accidents, or repairs attempted or made by any personnel other than the authorised Draper warranty repair agent.

Note: If the tool is found not to be within the terms of warranty, repairs and carriage charges will be quoted and made accordingly.

This warranty applies in lieu of any other warranty expressed or implied and variations of its terms are not authorised.

Your Draper warranty is not effective unless you can produce upon request a dated receipt or invoice to verify your proof of purchase within the warranty period.

Please note that this warranty is an additional benefit and does not affect your statutory rights.

Draper Tools Limited.

4. INTRODUCTION

4.1 SCOPE

These Draper Tools hedge trimmers are for the cutting and trimming of hedges, bushes and ornamental shrubs. All other applications are considered misuse.

This product is intended for domestic and infrequent light trade use only. Any application other than that it was intended for, is considered misuse.

4.2 SPECIFICATION

Stock No's.	03704
Part No's.	HT450
Rated Voltage	230V~50Hz
Rated input	550W
Cutting blade length	450mm
Max. cutting diameter	16mm
Speed (no load)	3,200 s/min (2 blades @ 1,600s/min)
Sound pressure level	87.18dB(A)
Sound power level	98.18dB(A)
Single value noise level (LWA)	103dB(A)
Vibration level	
Front	0.716m/s ²
Rear	0.729m/s ²
Uncertainty (K)	1.5m/s ²
Weight (not including cable)	2.2kg

4.3 HANDLING AND STORAGE

- Care must be taken when handling this product.
 - Dropping this power tool could have an effect on its accuracy and could also result in personal injury. This product is not a toy and must be respected.
- Environmental conditions can have a detrimental effect on this product if neglected.
 - Exposure to damp air can gradually corrode components. If the product is unprotected from dust and debris, components will become clogged.
 - If not cleaned and maintained correctly or regularly, the machine will not perform at its best.

5. HEALTH AND SAFETY INFORMATION

5.1 GENERAL SAFETY INSTRUCTIONS FOR POWER TOOL USE

Warning! Read all safety warnings, instructions, illustrations and specifications provided with this power tool. Failure to follow all instructions listed below may result in electric shock, fire and/or serious injury.

Save all warnings and instructions for future reference.

The term “power tools” in the warnings refers to your mains-operated (corded) power tool or battery-operated (cordless) power tool.

1) Work area safety

- a) **Keep work area clean and well lit.** Cluttered or dark areas invite accidents.
- b) **Do not operate power tools in explosive atmospheres, such as in the presence of flammable liquids, gases or dust.** Power tools create sparks which may ignite the dust or fumes.
- c) **Keep children and bystanders away while operating a power tool.** Distractions can cause you to lose control.

2) Electrical safety

- a) **Power tool plugs must match the outlet. Never modify the plug in any way. Do not use any adapter plugs with earthed (grounded) power tools.** Unmodified plugs and matching outlets will reduce risk of electric shock.
- b) **Avoid body contact with earthed or grounded surfaces, such as pipes, radiators, ranges and refrigerators.** There is an increased risk of electric shock if your body is earthed or grounded.
- c) **Do not expose power tools to rain or wet conditions.** Water entering a power tool will increase the risk of electric shock.
- d) **Do not abuse the cord. Never use the cord for carrying, pulling or unplugging the power tool. Keep cord away from heat, oil, sharp edges or moving parts.** Damaged or entangled cords increase the risk of electric shock.
- e) **When operating a power tool outdoors, use an extension cord suitable for outdoor use.** Use of a cord suitable for outdoor use reduces the risk of electric shock.
- f) **If operating a power tool in a damp location is unavoidable, use a residual current device (RCD) protected supply.** Use of an RCD reduces the risk of electric shock.

3) Personal safety

- a) **Stay alert, watch what you are doing and use common sense when operating a power tool. Do not use a power tool while you are tired or under the influence of drugs, alcohol or medication.** A moment of inattention while operating power tools may result in serious personal injury.
- b) **Use personal protective equipment Always wear eye protection.** Protective equipment such as a dust mask, non-skid safety shoes, hard hat or hearing protection use for appropriate conditions will reduce personal injuries.
- c) **Prevent unintentional starting. Ensure the switch is in the off-position before connecting to power source and/or battery pack, picking up or carrying the tool.** Carrying power tools with your finger on the switch or energising power tools that have the switch on invites accidents.
- d) **Remove any adjusting key or wrench before turning the power tool on.** A wrench or a key left attached to a rotating part of the power tool may result in personal injury.
- e) **Do not overreach. Keep proper footing and balance at all times.** This enables better control of the power tool in unexpected situations.

5. HEALTH AND SAFETY INFORMATION

- f) **Dress properly. Do not wear loose clothing or jewellery. Keep your hair and clothing away from moving parts.** Loose clothes, jewellery or long hair can be caught in moving parts.
- g) **If devices are provided for the connection of dust extraction and collection facilities, ensure these are connected and properly used.** Use of dust collection can reduce dust-related hazards.
- h) **Do not let familiarity gained from frequent use of tools allow you to become complacent and ignore tool safety principles.** A careless action can cause severe injury within a fraction of a second.

4) Power tool use and care

- a) **Do not force the power tool. Use the correct power tool for your application.** The correct power tool will do the job better and safer at the rate for which it was designed.
- b) **Do not use the power tool if the switch does not turn it on and off.** Any power tool that cannot be controlled with the switch is dangerous and must be repaired.
- c) **Disconnect the plug from the power source and/or remove the battery pack, if detachable, from the power tool before making any adjustments, changing accessories, or storing power tools.** Such preventive safety measures reduce the risk of starting the power tool accidentally.
- d) **Store idle power tools out of the reach of children and do not allow persons unfamiliar with the power tool or these instructions to operate the power tool.** Power tools are dangerous in the hands of untrained users.
- e) **Maintain power tools and accessories. Check for misalignment or binding of moving parts, breakage of parts and any other condition that may affect the power tool's operation. If damaged, have the power tool repaired before use.** Many accidents are caused by poorly maintained power tools.
- f) **Keep cutting tools sharp and clean.** Properly maintained cutting tools with sharp cutting edges are less likely to bind and are easier to control.
- g) **Use the power tool, accessories and tool bits etc. in accordance with these instructions, taking into account the working conditions and the work to be performed.** Use of the power tool for operations different from those intended could result in a hazardous situation.
- h) **Keep handles and grasping surfaces dry, clean and free from oil and grease.** Slippery handles and grasping surfaces do not allow for safe handling and control of the tool in unexpected situations.

5) Service

- a) **Have your power tool serviced by a qualified repair person using only identical replacements parts.** This will ensure that the safety of the power tool is maintained.

5.2 SPECIFIC SAFETY INSTRUCTIONS FOR 230V HEDGE TRIMMERS

- Keep all parts of the body away from the cutter blade. Do not remove cut material or hold material to be cut when blades are moving. Make sure the switch is off when clearing jammed material. A moment of inattention while operating the hedge trimmer may result in serious personal injury.
- Carry the hedge trimmer by the handle with the cutter blade stopped. When transporting or storing the hedge trimmer always fit the cutting device cover. Proper handling of the hedge trimmer will reduce possible personal injury from the cutter blades.
- Keep cable away from cutting area. During operation the cable may be hidden in shrubs and can be accidentally cut by the blade.

5. HEALTH AND SAFETY INFORMATION

Warning! This machine can cause serious injuries. Read the instructions carefully for the correct handling, preparation, maintenance, starting and stopping of the machine. Be familiar with all controls and the proper use of the machine.

- Never allow children to use the machine.
- Avoid operating while people, especially children are nearby.
- Dress properly. Do not wear loose clothing or jewellery which can be caught in moving parts. Use of sturdy gloves, non-skid footwear, and safety glasses is recommended.
- Disconnect from mains before:
 - cleaning or when clearing a blockage
 - checking maintenance.
 - working on the machine.
- While operating the machine always be sure of a safe and secure operating position especially when using steps or ladder.
- Do not attempt to repair the machine unless you are qualified to do so.
- Do not operate the machine with a damaged or excessively worn cutting device.
- To prevent hearing damage, ear protection shall be worn.
- Always ensure all handles and guards are fitted when using the machine. Never attempt to use an incomplete machine or one fitted with an unauthorised modification.
- Where a hedge trimmer is provided with more than one handle always use two hands to operate it.
- When transporting or storing the machine always fit the cutting device guard.
- The machine shall not be used for any other purpose other than those detailed in this instruction manual.
- Know how to stop the machine in an emergency.
- Always be aware of your surroundings and stay alert for possible hazards that you may not hear due to the noise of the machine.

5.3 RESIDUAL RISK

Important: Although the safety instructions and operating manuals for our tools contain extensive instructions of safe working with power tools, every power tool involves a certain residual risk which can not be completely excluded by safety mechanisms. Power tools must therefore always be operated with caution!

5.4 CONNECTION TO THE POWER SUPPLY

Caution: Risk of electric shock. Do not open.

This appliance is supplied with an approved plug and cable for your safety. The value of the fuse fitted is marked on the pin face of the plug. Should the fuse need replacing, ensure the substitute is of the correct rating, approved to BS1362 and ASTA or BS Kite marked.

ASTA 

BSI 

The fuse cover is removable with a small plain slot screwdriver. Ensure the fuse cover is replaced before attempting to connect the plug to an electrical outlet. If the cover is missing, a replacement must be obtained or the plug replaced with a suitable type.


If a replacement plug is to be fitted this must be carried out by a qualified electrician.

The damaged or incomplete plug, when cut from the cable should be disabled to prevent connection to a live electrical outlet.

This appliance is Class II† and is designed for connection to a power supply matching that detailed on the rating label and compatible with the plug fitted.

5. HEALTH AND SAFETY INFORMATION

If an extension lead is required, use an approved and compatible lead rated for this appliance. Follow all the instructions supplied with the extension lead.

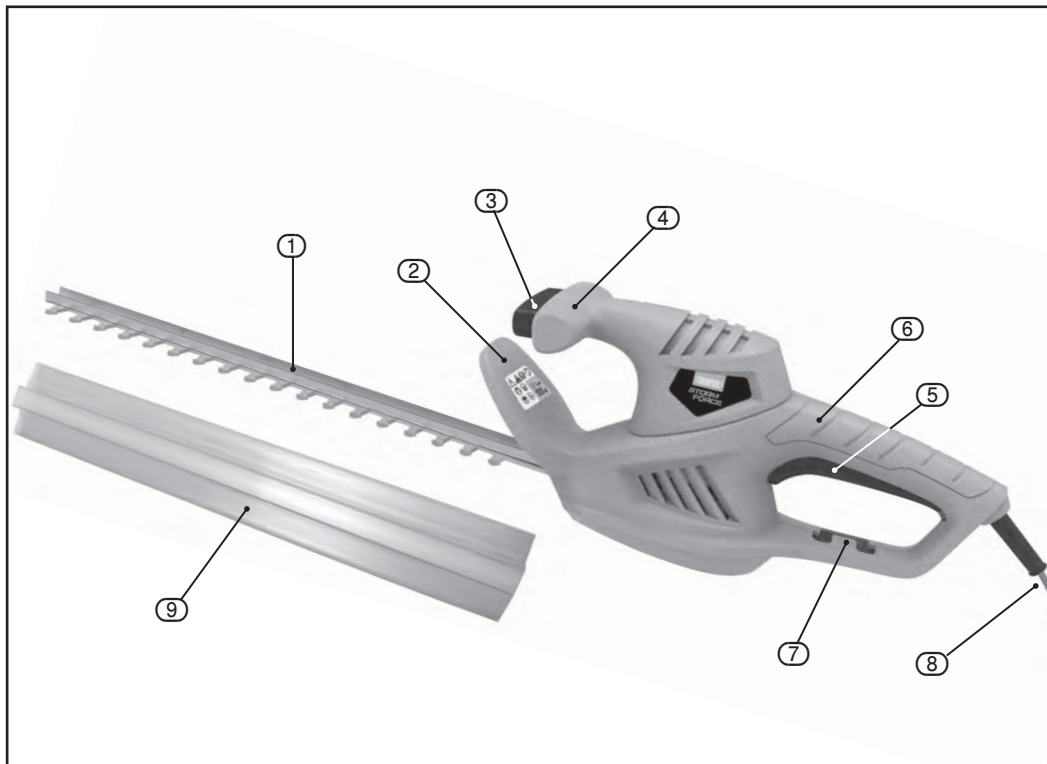
†Double insulated : This product requires no earth connection as supplementary insulation is applied to the basic insulation to protect against electric shock in the event of failure of the basic insulation.

IMPORTANT

If using an extension lead, follow the instructions that came with your lead regarding maximum load while cable is wound. If in doubt, ensure that the entire cable is unwound. Using a coiled extension lead will generate heat which could melt the lead and cause a fire.

6. TECHNICAL DESCRIPTION

6.1 IDENTIFICATION



① Cutting blade.

② Safety guard.

③ Safety switch.

④ Auxiliary handle.

⑤ ON/OFF trigger switch.

⑥ Rear handle (*Stock No.03705*).

⑦ Cable restraint.

⑧ Power cable with plug.

⑨ Blade guard.

Note: For details of our full range of accessories and consumables, please visit drapertools.com

7. UNPACKING AND CHECKING

7.1 PACKAGING

Carefully remove the product from the packaging and examine it for any sign of damage that may have happened during shipping. Lay the contents out and check them against the parts shown below. If any part is damaged or missing, please contact the Draper Help Line (the telephone number appears on the Title page) and do not attempt to use the product.

The packaging material should be retained at least during the warranty period, in case the machine needs to be returned for repair.

Warning!

- Some of the packaging materials used may be harmful to children. Do not leave any of these materials in the reach of children.
- If any of the packaging is to be thrown away, make sure they are disposed of correctly, according to local regulations.

Note: For details of our full range of accessories and consumables, please visit drapertools.com

8. OPERATION

8.1 POWER SUPPLY

Before you connect the equipment to the power supply make sure that the data on the rating plate is identical to the supply voltage.

Warning! Always remove the power plug from the supply before making any adjustments to the equipment.

8.2 TWO PART SAFETY SWITCH – FIG. 1

It is highly recommended that this machine is used in conjunction with a residual current device (R.C.D – these can be purchased separately from all Draper Tools stockists).

The front safety switch (3) must be operated first. The trigger (5) can then be pulled.

When either the trigger (5) or front switch (3) are released the hedge trimmer will stop working and the safety brake will operate, stopping the blade.

Note: This trimmer is fitted with a Quick Stop Blade Brake (<1sec.).

8.3 CABLE RESTRAINT – FIGS. 2 – 3

(8) To help prevent damage to the cable.

8.4 BLADE SAFETY RAIL – FIG.4

The cutting blade is set back from the edge of the safety rail which reduces the risk of injuries due to accidental contact with the blades. This gap is illustrated by (B).



FIG.1

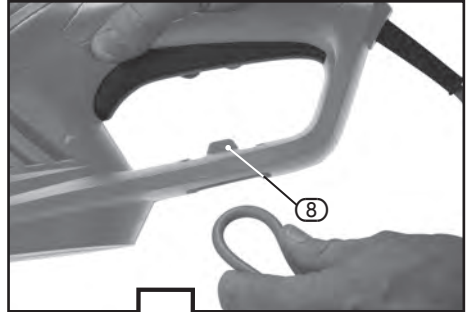


FIG.2

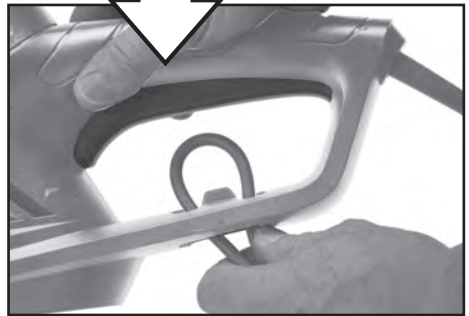


FIG.3

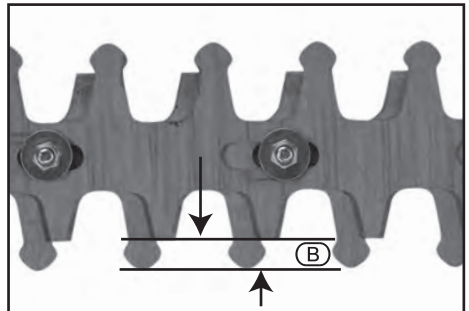


FIG.4

8. OPERATION

8.6 HEDGE CUTTING TECHNIQUES

Vertical Cutting – Fig.5

The best practice is to cut the front and side of a hedge first, before finishing with the top.

- Set the cutting head straight.
- Make large sweeping arcs with the cutting head, using both sides of the blade to trim material from the hedge.

Stand back at regular intervals. What 'looks' to be a straight and level cut from close up will look quite different from a distance.

Horizontal Cutting – Fig.6

The final stage in shaping the top of a hedge:

- Set the cutting head straight. Tilt the cutting side of the blades toward the hedge by approximately $0 - 10^\circ$.
- Make level arcs, so as to encourage the trimmings to drop to the floor .

Warning! Do not attempt to cut a hedge higher than chest height without using a safe platform.

Warning! If working on a platform, do not attempt to stretch or over-reach.

Note: This hedge trimmer will enable you to cut or trim bushes and hedges. Branches which are too thick for the hedge trimmer, should be cut with an appropriate tool. Older and thicker hedges are best cut in a sawing action. The optimum cutting angle between the blade and the hedge is between $15 - 30^\circ$.

Warning! Use of this product can pose a danger to wildlife. Before attempting to use this machine, check the area, particularly long grass and under bushes for signs of life – If necessary relocate.

Note: Not all animals will be deterred by the noise of the product alone.



FIG.5



FIG.6

9. MAINTENANCE AND TROUBLESHOOTING

9.1 CLEANING AND LUBRICATION – FIGS. 7 – 8

Warning! Remove the plug from the socket before carrying out adjustment, servicing or maintenance. After every use, before storing the hedge trimmer away the following should be carried out.

- Remove all debris from the cutting blade using wire brush or other suitable tool.
- Using light oil to lubricate the cutting blade.
- Operate the cutting blades to allow the oil to work into the blades.
- Carry out steps 2 – 3 several times more then check the blade has sufficient overall lubrication.
- Store the hedge trimmer away with the blade cover in place.

Note: This hedge trimmer is intended for trimming hedges and bushes only and any other use constitutes inappropriate use.



FIG.7



FIG.8

9. MAINTENANCE AND TROUBLESHOOTING

9.2 SERVICING

There are no parts inside the equipment which require additional maintenance. For service or repair, contact Draper or your nearest authorised service agent.

9.3 REPLACING THE POWER CABLE

If the power cable for this equipment is damaged, it must be replaced by the manufacturer or its aftersales service or similarly trained personnel to avoid danger.

9.4 TROUBLESHOOTING GUIDE

Problem	Possible Cause	Remedy
Hedge trimmer won't switch on	1. No mains power	1. Check mains power.
	2. Mains supply outlet faulty.	2. Check outlet socket. If faulty, use different socket.
	3. Damaged extension cord.	3. Replace extension cord.
	4. Blown fuse.	4. Replace fuse.
Hedge trimmer operates, but only intermittently.	1. Damaged extension cord.	1. Replace extension cord.
	2. Internal wiring fault.	2. Contact Draper or authorised service agent.
	3. Defective ON/OFF switches.	3. Contact Draper or authorised service agent.
Motor runs but blades won't turn.	Internal fault	Contact Draper or authorised service agent.
Blade gets very hot.	1. Blunt or damaged blade.	1. Service or repair blades via Draper or authorised service agent.
	2. Blade in need of lubrication.	2. Apply oil.

10. DISPOSAL

10.1 DISPOSAL

- At the end of the machine's working life, or when it can no longer be repaired, ensure that it is disposed of according to national regulations.
- Contact your local authority for details of collection schemes in your area.

In all circumstances:

- Do not dispose of power tools with domestic waste.
- Do not incinerate.
- Do not dispose of WEEE* as unsorted municipal waste.



* *Waste Electrical & Electronic Equipment.*

11. EXPLANATION OF SYMBOLS

11.1 EXPLANATION OF SYMBOLS



Read the instruction manual.



Wear face mask, ear defenders and safety glasses.



Wear protective gloves.



Do not abandon into the environment.



Keep out of the reach of children.



Warning!



Rated wattage input.*



No-load speed (strokes per minute).*



Cutting blade length.*



Approved 10 metre cable and plug.*



Maximum cutting capacity.*



Net product weight*



Class II construction (Double insulated).



WEEE – Waste Electrical & Electronic Equipment. Do not dispose of Waste Electrical & Electronic Equipment in with domestic rubbish.



Continuous A-Weighted Sound Pressure Level.*



UK Conformity Assessed.



European conformity.

** Measurements shown as an example.*

CONTACTS

Draper Tools Limited

UK: Hursley Road, Chandler's Ford, Eastleigh,
Hampshire. SO53 1YF. U.K.

EU: Oude Graaf 8
6002 NL Weert (NL)

Help Line: (023) 8049 4344

Sales Desk: (023) 8049 4333

Internet: drapertools.com

E-mail: sales@drapertools.com

General Enquiries: (023) 8026 6355

Service/Warranty Repair Agent:

For aftersales servicing or warranty repairs, please contact the
Draper Tools Help Line for details of an agent in your local area.

YOUR DRAPER STOCKIST

TACH1021

©Published by Draper Tools Limited.

No part of this publication may be reproduced, stored in a retrieval system or transmitted in any form or by any means, electronic, mechanical photocopying, recording or otherwise without prior permission in writing from Draper Tools Ltd.