

falmec



CONGRATULATIONS

Congratulations and thank you for choosing a Falmecc rangehood.

To avoid the risks that are always present when you use an electrical appliance it is important that the rangehood is installed correctly and that you read the safety instructions carefully to avoid misuse and hazards.

We recommend that you keep this instruction booklet for future reference and pass it on to any future owners.

Important Information

AFTER UNPACKING THE RANGEHOOD PLEASE REVIEW YOUR NEW ITEM TO ENSURE THAT IT HASN'T BEEN DAMAGED IN TRANSIT OR IS MISSING ANY COMPONENTS. FAILURE TO REPORT ANY ISSUE WITHIN 72 HOURS OF RECEIPT OF YOUR ITEM MAY RESULT IN ADDITIONAL CHARGES.

Environmental Tip

Information on disposal for users

Most of the packing materials are recyclable. Please dispose of those materials through your local recycling depot or by placing them in a appropriate collection bin.

If you wish to discard this product, please contact your local authorities and ask for the correct method of disposal.



TO AVOID THE RISK OF INJURY OR DAMAGE TO THE PRODUCT IT IS ESSENTIAL TO READ THESE INSTRUCTIONS PRIOR TO INSTALLATION AND USE



PRODUCT DESCRIPTION & CARTON CONTENTS

CARTON 1 - HOOD UNIT

You will be supplied with one of the three hood unit options detailed below.

OPTION 1 - INTEGRATED HOOD - ON BOARD HOOD

Models include:

SIENA F3SN60S1, F3SN90S1 and F3SND90S1

Included in the carton:

1. Main hood housing including control module and lighting
2. Baffle filters
3. Grease trap
4. Fixing screws
5. Operating & installation guide

OPTION 2 - INTEGRATED HOOD - REMOTE MOTOR

Models include:

MILANO F3ML60S1, F3ML90S1, F3MLD90S1, F3MLD12S1 and GENOVA F3GV12S1

Included in the carton:

1. Main hood housing including control module and lighting
2. Baffle filters
3. Grease trap
4. Fixing screws
5. Operating & installation guide

OPTION 3 - WALL HUNG CANOPY - REMOTE MOTOR

Models include:

LATINA F5LT90S1, MODENA F5ME12S1 and TRENTO F5TN12S1

Included in the carton:

1. Main hood housing including control module and lighting
2. Baffle filters
3. Flue cover x2
4. Fixing screws
5. Operating & installation guide

OPTION 4 - ISLAND HUNG CANOPY - REMOTE MOTOR

Models include:

TREVISO F7TV90S1 and ROMA F7RM90S1

Included in the carton:

1. Main hood housing including control module and lighting
2. Baffle filters
3. Flue cover x2
4. Island mounting bracket
5. Fixing screws
6. Operating & installation guide

PRODUCT DESCRIPTION & CARTON CONTENTS

CARTON 2 - FAN MOTOR UNIT

You will be supplied with one of the two fan motor options detailed.

OPTION 1 - IN ROOF SOLUTION (FIG.4a)

Models include:

IR-765 and IR-1140 Unit designed to be located in a roof space and then ducted to an external vent.

Included in the carton:

1. In Roof Motor Unit
2. Mounting Bracket
3. Fixing Screws
4. Duct Clamps x4
5. 200 mm Flexi Duct (5 Meters Length)
6. White Stainless Steel Eave Vent

OPTION 2 - EXTERNAL ROOD SOLUTION (FIG.4b)

Models include:

ER-765, ER-1140 and ER-2010
Unit designed to be mounted externally penetrating through the roof.

Included in the carton:

1. External Roof Motor Unit
2. Duct Calmps (x2)
3. 200mm Flexi Duct (5 Meters Length)

OPTIONAL ACCESSORIES WHEN ROOF MOUNTING

1. 200 mm Tile Roof Install Kit (HBX200TILE)
Includes roof flashing for tile roof and mounting brackets x2
2. 200 mm Metal Roof Install Kit (HBX200MET)
Includes roof flashing for metal roof and mounting brackets x2

OPTION 3 - EXTERNAL WALL SOLUTION (FIG.4c)

Models include:

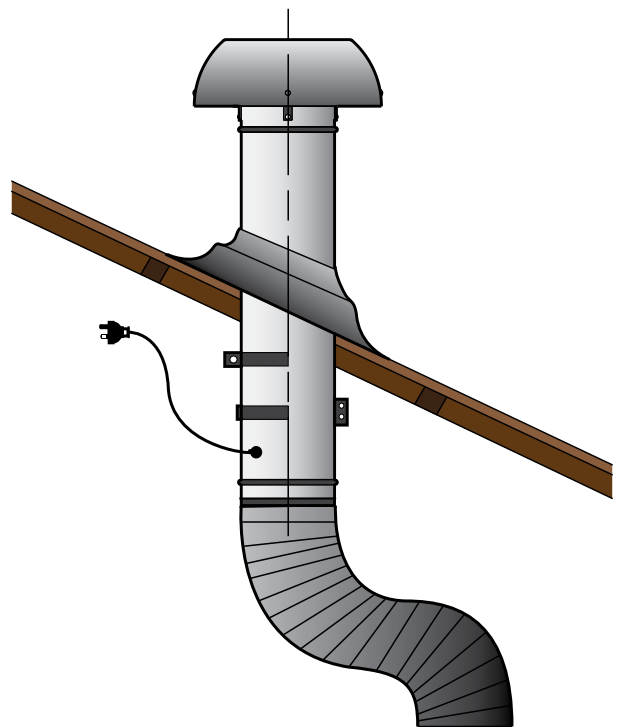
EW-765, EW-1140 and EW-2010
Unit designed to be mounted directly on an external wall.

Included in the carton:

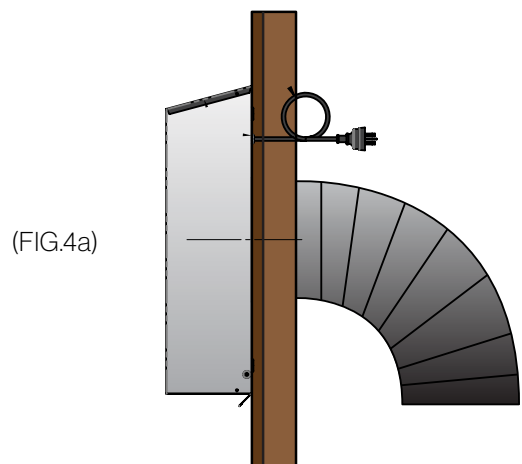
1. External Wall Motor Unit
2. Duct Clamps x 2
3. 200 mm Flexi Duct (5 Meters Length)



(FIG.4a)



(FIG.4b)



(FIG.4a)

(FIG.4c)

SAFETY INSTRUCTIONS AND WARNINGS



Installation operations are to be carried out by skilled and qualified installers in accordance with the instructions in this booklet and in compliance with the regulations in force.

DO NOT use the hood if the power supply cable or other components are damaged: disconnect the hood from the electrical power supply and contact the Dealer or an authorised Servicing Dealer for repairs.

Do not modify the electrical, mechanical or functional structure of the equipment.

Do not personally try to carry out repairs or replacements. Interventions carried out by incompetent and unauthorised persons can cause serious damage to the unit or physical and personal harm, not covered by the Manufacturer's warranty.

WARNINGS FOR THE INSTALLER

TECHNICAL SAFETY



Before installing the hood, check the integrity and function of each part. Should anomalies be noted, do not proceed with installation and contact the Dealer.

Do NOT install the hood if an aesthetic (or cosmetic) defect has been detected. Put it back into its original package and contact the dealer.

No claim can be made for aesthetic (or cosmetic) defects once it has been installed.

During installation, always use personal protective equipment (e.g.: Safety shoes) and adopt prudent and proper conduct.

The installation kit (screws and plugs) supplied with the hood is only to be used on masonry walls: in case of installation on walls of a different material, assess other installation options keeping in mind the type of wall surface and the weight of the hood (indicated on page 2).

Keep in mind that installations with different types of fastening systems from those supplied, or which are not compliant, can cause electrical and mechanical seal danger.

Do not install the hood outdoors and do not expose it to atmospheric elements (rain, wind, etc.).

ELECTRICAL SAFETY



The electrical system to which the hood is to be connected must be in accordance with local standards and supplied with earthed connection in compliance with safety regulations in the country of use. It must also comply with European standards regarding radio antistatic properties.

Before installing the hood, check that the electrical mains power supply corresponds with what is reported on the identification plate located inside the hood.

The socket used to connect the installed equipment to the electrical power supply must be within reach: otherwise, install a mains switch to disconnect the hood when required.

Any changes to the electrical system must be carried out by a qualified electrician.

The maximum length of the flue fastening screws (supplied by the manufacturer) must be 13 mm. Use of non-compliant screws with these instructions can lead to danger of an electrical nature.

Do not try to solve the problem yourself in the event of equipment malfunction, but contact the Dealer or an authorised Servicing Department for repairs.



When installing the hood, disconnect the equipment by removing the plug or switching off the main switch.

FUMES DISCHARGE SAFETY



Do no connect the equipment to discharge pipes of fumes produced from combustion (for example boilers, fireplaces, etc.).

Before installing the hood, ensure that all standards in force regarding discharge of air out of the room have been complied with.

USER WARNINGS



These warnings have been drawn up for your personal safety and those of others. You are therefore kindly asked to read the booklet carefully in its entirety before using the or cleaning the equipment.

The Manufacturer declines all responsibility for any damage caused directly, or indirectly, to persons, things and pets as a consequence of failing to comply with the safety warnings indicated in this booklet.

It is imperative that this instructions booklet is kept together with the equipment for any future consultation.

If the equipment is sold or transferred to another person, make sure that the booklet is also supplied so that the new user can be made aware of the hood's operation and relative warnings.

After the stainless steel hood has been installed, it will need to be cleaned to remove any residues remaining from the protection adhesive as well as any grease and oil stains which, if not removed, can cause irreversible damage to the hood surface. To properly clean the unit, the manufacturer recommends using the supplied moist wipes, which are also available sold separately.

Insist on original spare parts.

INTENDED USE

The equipment is solely intended to be used to extract fumes generated from cooking food in non-professional domestic kitchens: any other use is improper. Improper use can cause damage to persons, things, pets and exempts the Manufacturer from any liability.

The equipment can be used by children over the age of 8 and by persons with reduced physical, sensory and mental abilities, or with no experience or knowledge, as long as they do so under supervision or after having received relative instructions regarding safe use of the equipment and understanding of the dangers connected to it.

Children are not to play with the equipment. Cleaning and maintenance by the user must not be carried out by children without supervision.

USE AND CLEANING WARNINGS



Before cleaning or carrying out maintenance operations, disconnect the equipment by removing the plug or switching off the main switch.

Do not use the hood with wet hands or bare feet.

Always check that all electrical parts (lights, extractor fan) are off when the equipment is not being used.

The maximum overall weight of any objects placed or hung (if applicable) on the hood must not exceed 1.5 Kg.

Always supervise the cooking process during the use of deep-fryers: Overheated oil can catch fire.

Do not leave open, unattended flames under the hood.

Do not prepare food over an open flame under the hood.

Never use the hood without the metal anti-grease filters: in this case, grease and dirt will deposit in the equipment and compromise its operation.

Accessible parts of the hood can be hot when used at the same time as the cooking appliances.

Do not carry out any cleaning operations when parts of the hood are still hot.

There can be a risk of fire if cleaning is not carried out according to the instructions and products indicated in this booklet.

Disconnect the main switch when the equipment is not used for long periods of time.



If other appliances that use gas or other fuels are being used at the same time (boiler, stove, fireplaces, etc.), make sure the room where the fumes are discharged is well-ventilated, in compliance with the local regulations.

INSTALLATION

only intended for qualified personnel



Before installing the hood, carefully read the chapter "SAFETY INSTRUCTIONS AND WARNINGS".

TECHNICAL FEATURES

The technical specifications are exhibited on the labels located inside the hood.

POSITIONING

The minimum distance between the highest part of the cooking equipment and the lowest part of the hood is indicated in the installation instructions.

Generally, when the hood is placed over gas cookers, the distance must be at least 65 cm (25.6"). However, according to an interpretation of standard EN60335-2-31 dated 11-07-2002 of TC61 (sub-clause 7.12.1 meeting 15 agenda item 10.11), the minimum distance between the cooker and lower part of the hood can be reduced to the quota reported in the installation instructions.

Should the instructions for the gas cooker specify a greater distance, this must be taken into consideration.

Do not install the hood outdoors and do not expose it to outdoor environment (rain, wind, etc.).

OPERATION

OPERATING YOUR CONTROL PANEL WITH THE 6 SENSOR TOUCH CONTROL

Turning the extraction function ON or OFF:

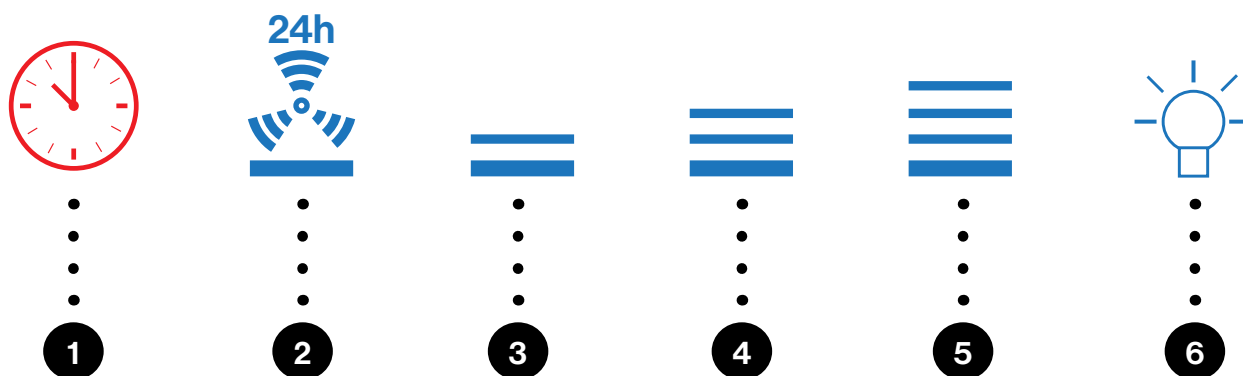
- In standby mode, press button 2 to turn on operating mode, then press buttons 3 through to 5 to change the speed.
- The hood has three speed options and a boost speed plus the off function.
- To turn hood off, press button 2 repeatedly until hood returns to standby mode.

Turning the light function ON or OFF:

Press button 6 to turn on or turn off the light in either standby mode or when the hood is in use. Light will remain on indefinitely until switched off using button 6 again, otherwise will switch off when time elapses in timer mode (when in use).

Turning the timer function ON or OFF:

In operating mode, press button 1 to engage the timer function.
The default time set is 15 minutes and cannot be increased or decreased.



BUTTON 1:

TIMER (Red LED flashing)
Auto switch-off after 15 min.
The function deactivates (red LED off) if:
- The motor turns off (key).
- The speed is changed (keys +/-).

FILTER ALARM (red LED steady on)

Anti-grease filter maintenance after approximately 30 hours of operation. Press and hold the button for 3 seconds to reset.

BUTTON 2: Motor ON/OFF

Motor on/off and Speed1
If pressed for more than 3 seconds, it activates the 24h cycle (1h ON -> 3h OFF -> 1h ON)

BUTTON 3: Speed 2 activation

BUTTON 4: Speed 3 activation

BUTTON 5: Speed 4 activation for 10 minutes only

BUTTON 6: Light on/off

USIN THE RADIO CONTROL



WARNINGS!:

The radio control is optional.

Follow the entire procedure described below if purchased.

Place the hood away from sources of electromagnetic waves (e.g. microwave ovens), which could interfere with the radio control and with the hood electronics.

The maximum operating distance is 5 metres, that may vary according to the presence of electromagnetic interferences.

Radio control operated at 433.92MHz.

The radio control consists of two parts:

- the receiver built into the hood;
- the transmitter shown here in the figure.

| DESCRIPTION OF TRANSMITTING COMMANDS | |
|--------------------------------------|---|
| | UP Motor switch-on and speed increase from 1 to 4. Speed 4 is only active for a few minutes. |
| | DOWN Speed decrease and motor switch-off |
| | Light ON-OFF |
| | TIMER ON: The motor automatically switches off after 15 min. The function is automatically disabled if the motor is switched off (DOWN key) |
| | Command transmission active |

2) - PAIRING THE RADIO CONTROL WITH THE HOOD USING THE ELECTRONIC PUSHBUTTON PANEL

press TIMER on the hood pushbutton panel for 2 seconds: the red LED lights up.

press any key on the radio control within 10 seconds.

RESTORING DEFAULT CODE

the procedure is to be carried out if the hood is disposed of, sold or transferred.



Disconnect the power to the hood before starting the procedure.

- Press UP and DOWN simultaneously on the radio control for more than 5 seconds: reset is confirmed by three brief flashes of the display.
- Reconnect the hood to the electrical power supply.
- Proceed with associating the hood and the radio control, as described in point 2.

ACTIVATION PROCEDURE

Before using the radio control, follow the procedure below on the **hood pushbutton panel**:

- Press LIGHT and TIMER simultaneously until all LEDs start flashing.
- Release the two keys and press LIGHT again until all LEDs are lit up.
- Release LIGHT : now the receiver is active.

This procedure is also used to deactivate the receiver.

RADIO CONTROL CODE CHANGE

With only one radio control, go directly to point 2.

With several radio controls in the same room, a new code can be created by following the procedure below.



Disconnect the power to the hood before starting the procedure.

1) - CREATE A NEW CODE

The procedure is to be carried out on the radio control.

- Press LIGHT and TIMER simultaneously until the display starts flashing.
- Press DOWN on the radio control: saving is confirmed by three brief flashes of the display. The new code cancels and replaces the previous default code.



Reconnect the hood to the electrical power supply, making sure that the lights and motor are off.

MAINTENANCE



Before cleaning or carrying out maintenance operations, disconnect the equipment by removing the plug or switching off the main switch. Do not use detergents containing abrasive, acidic or corrosive substances or abrasive cloths.

Regular maintenance guarantees proper operation and performance over time. Special attention is to be paid to the metal anti-grease filters: frequent cleaning of the filters and their supports ensures that no flammable grease is accumulated.

CLEANING OF EXTERNAL SURFACES

You are advised to clean the external surfaces of the hood **at least once every 15 days** to prevent oily substances and grease from sticking to them. To clean the brushed stainless steel hood, the Manufacturer recommends using "Magic Steel" wipes. Alternatively **and for all the other types of surfaces**, it can be cleaned using a damp cloth, slightly moistened with mild, liquid detergent or denatured alcohol. Finish off cleaning by rinsing well and drying with soft cloths.



Do not use too much water next to the push button control panel and lighting devices in order to prevent humidity from reaching electronic parts.

The glass panels can only be cleaned with specific, non-corrosive or non-abrasive detergents using a soft cloth. The Manufacturer declines all responsibility for failure to comply with these instructions.

CLEANING OF INTERNAL SURFACES



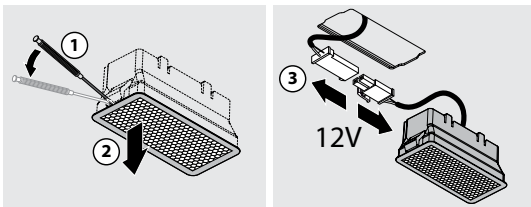
Do not clean electrical parts, or parts related to the motor inside the hood, with liquids or solvents. For the internal metal parts, see the previous paragraph.

METAL ANTI-GREASE FILTERS

It is advised to **frequently** wash the metal filters (**at least once a month**) leaving them to soak in boiling water and cleaning solution for 1 hour, taking care not to bend them. Do not use corrosive, acid or alkaline detergents. Rinse them well and wait for them to be completely dry before reassembling them. They are dishwasher safe. To extract and insert the metal anti-grease filters see the assembly instructions.

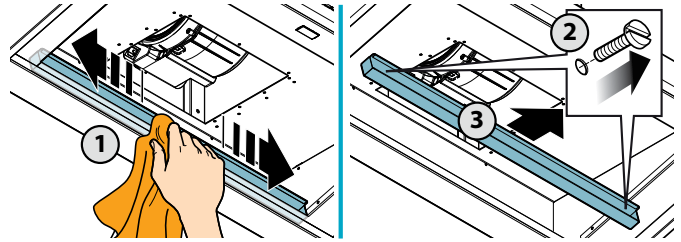
LIGHTING

The range hood is equipped with high efficiency, low consumption LED spotlights with extremely long duration under normal use conditions. Should the LED spotlight need to be replaced, proceed as shown in the figure.



GREASE DRIP TRAY

It is advisable to clean the tray every 15 days. Do not use corrosive, acid or alkaline detergents. For more thorough cleaning, remove the oil collection tray (see figure) and wash it with hot water and washing up liquid. Rinse it well and wait for it to be completely dry before reassembling it. They are dishwasher safe.



DISPOSAL AFTER END OF USEFUL LIFE



The crossed-out trash or refuse bin symbol on the appliance means that **the product is WEEE**, i.e. "Waste electrical and electronic equipment", accordingly **it must not be disposed of with regular unsorted waste** (i.e. with "mixed household waste"), but it must be disposed of separately so that it can undergo specific processing for its re-use, or a specific treatment, to remove and safely dispose of any substances that may be harmful to the environment and remove the raw materials that can be recycled. Proper disposal of these products contributes to saving valuable resources and avoid potential negative effects on personal health and the environment, which may be caused by inappropriate disposal of waste. You are kindly asked to contact your local authorities for further information regarding the designated waste collection points nearest to you. Penalties for improper disposal of such waste can be applied in compliance with national regulations.

INFORMATION ON DISPOSAL IN EUROPEAN UNION COUNTRIES

The EU WEEE Directive was implemented differently in each country, accordingly, if you wish to dispose of this appliance we suggest contacting your local authorities or dealer to find out what the correct method of disposal is.

INFORMATION ON DISPOSAL IN NON-EUROPEAN UNION COUNTRIES

The crossed-out trash or refuse bin symbol is only valid in the European Union: if you wish to dispose of this appliance in other countries, we suggest contacting your local authorities or dealer to find out what the correct method of disposal is.



WARNING!

The Manufacturer reserves the right to make changes to the equipment at any time and without prior notice. Printing, translation and reproduction, even partial, of this manual are bound by the Manufacturer's authorisation. Technical information, graphic representations and specifications in this manual are for information purposes and cannot be divulged. This manual is written in Italian. The Manufacturer is not responsible for any transcription or translation errors.

FUMES DISCHARGE (SIENA F3SN60S1, F3SN90S1 and F3SND90S1 ONLY)

In this version the fumes and vapours are discharged outside through the exhaust pipe. To this end, the hood outlet fitting must be connected via a pipe, to an external output.

The outlet pipe must have:

- A diameter not less than that of the hood fitting.
- A slight slope downwards (drop) in the horizontal sections to prevent condensation from flowing back into the motor.
- The minimum required number of bends.
- The minimum required length to avoid vibrations and reduce the suction performance of the hood.

DUCTING & EXTRACTION LEVELS - (REMOTE MOTORS ONLY)

The Flexi ducting is designed to ensure optimum performance for your rangehood. Please follow the installation instructions carefully.

Every FALMEC rangehood must be ducted to the external or in-roof motor unit by the use of non-flammable ducting. The rangehood must not be ducted into a wall cavity or a ceiling space where a build-up of grease can occur and become a potential fire risk. Ensure the external outlet on the motor unit is not covered and the air flow is not restricted in any way as this may result in reduced performance.

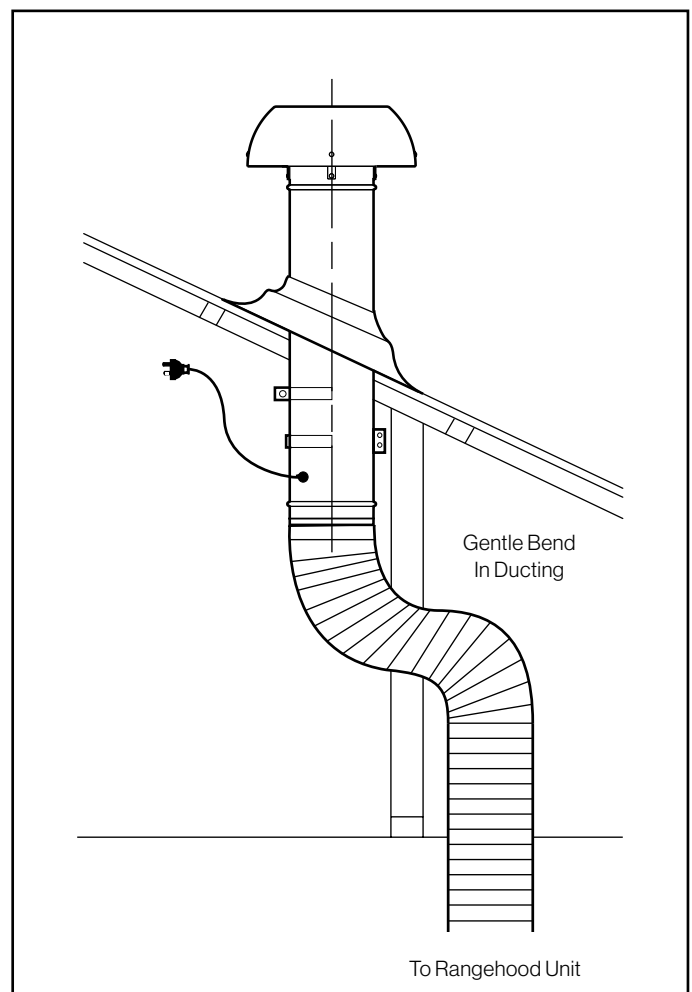
The duct must at all times have a cross sectional surface area equivalent to the hood outlet. The hood outlet has a circular cross section of 200 mm in diameter or an approximate area of 31,400 mm². Do not reduce the duct size at any time and avoid sharp bends. If the duct run is longer than five (5) metres, it may be necessary to enlarge the duct size to ensure optimum performance. The manufacturer does not guarantee performance when the duct length is greater than five (5) metres.



THE RECOMMENDED DUCT LENGTH (INSTALLATION DISTANCE) IS 4 METERS.

THE MINIMUM INSTALLATION DISTANCE IS 3 METERS.

GENTLE BENDS IN THE DUCTING ARE RECOMMENDED AS IT ASSISTS IN MUFFLING NOISE FROM THE EXTERNAL FAN UNIT.



SERVICING OF REMOTE MOTORS

The installation and fitting of the external or in-roof motor should be done in such a way that will allow the unit to be removed if service is required. Additional costs incurred in the removal, such as damage to walls and roofs, are not covered under warranty.

The external and in-roof motors unit should be checked regularly to ensure that nothing is obstructing the air flow from the housing. We also recommend a routine inspection of the remote units every 12 months to ensure optimum performance.

As part of ensuring the maximum life cycle of the remote motors it is advised to clean the baffle filters on the rangehood every 4 weeks. These filters are easily removable and dishwasher safe

PART 1: HOOD INSTALLATION GUIDE - INTEGRATED HOODS - ON BOARD MOTOR

ON BOARD HOOD

Models include SIENA F3SN60S1, F3SN90S1 and F3SND90S1



WARNING

DIMENSIONS ARE ACCURATE AT THE TIME OF PRINTING, PR KITCHEN & WASHROOM SYSTEMS PTY LTD RESERVES THE RIGHT TO CHANGE SPECIFICATIONS WITHOUT NOTICE. FOR BUILDING PURPOSES THE UNIT SHOULD BE PROVIDED TO THE CABINET MAKER / BUILDER / KITCHEN DESIGNER FOR EXACT MEASUREMENTS.



CONFIGURING HOOD FOR BACK DUCTED INSTALLATION

Note: Hood is delivered in with motor positioned for ducting through top of unit. To alter perform the following steps

STEP 1:

Remove external face plate covering back ducted hole by unscrewing at the two fixing points.

STEP 2:

Inside the hood locate the four fixing screws holding the motor and fixing plate to the top of the rangehood chassis. Remove the screws and rotate the motor 90° backwards and push motor flange through exposed hole in back of the chassis.

STEP 3:

Re-secure the motor and fixing plate to the back of the chassis with the 4 screws removed in step 2. Finally secure the external face plate removed in step 1 to the top of the rangehood and secure with at the two fixing points with the screws provided.

HOOD INSTALLATION

STEP 1:

To install into your overhead cupboard, several holes may need to be cut into shelves to enable the ducting to exit the cavity. Ensure the hood is mounted as close to the centre of the cooking surface as possible.

NOTE:

The height of the underside of the hood body must be a minimum of 600 mm above an electric cooktop & 650 mm above a gas cooktop and a maximum height of 1200 mm. If the instructions of the hob specify a greater distance than the minimum detailed, this shall be the minimum height for installation. Building codes that stipulate a minimum dimension may vary from state to state, please check with your local council prior to installation.

STEP 2:

If a shelf is fitted within the cupboard cut out a central 155mm hole in the shelf for ducting, matching the holes position to that of the outlet on top of the hood. Additional holes might need to be cut to feed the duct out to the roof cavity.

STEP 3:

Remove the screws from within the main body of the rangehood along the back above the grease trap, on the left and right side. Once the screws are removed, the main body of the rangehood will separate away from stainless steel fascia.

PART 1: HOOD INSTALLATION GUIDE - INTEGRATED HOODS - ON BOARD MOTOR

STEP 4:

The returns on the main body are now exposed. These are used to fix the main body on to the cabinetry. Place the hood in the cabinet in the level position ensuring that the controls and display will be visible when standing in front of the unit. Using the pre-drilled mounting holes, screw the hood into position.

STEP 5:

Once the main body is secure into the cabinetry the stainless steel fascia can then be slid inside the main body. The fascia will cover the screws that have fixed the main body into the cabinetry. Place the screws back into place which were removed in step 3.

STEP 6:

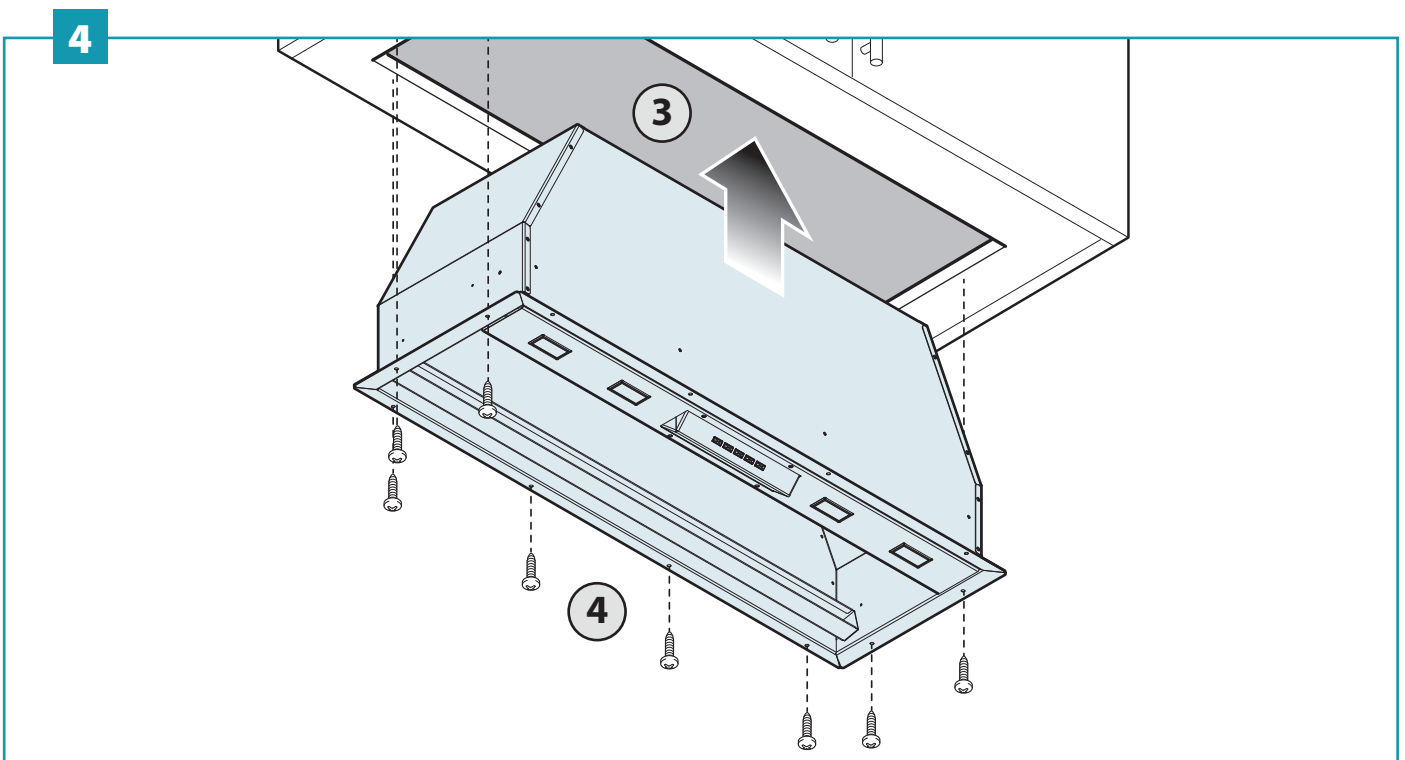
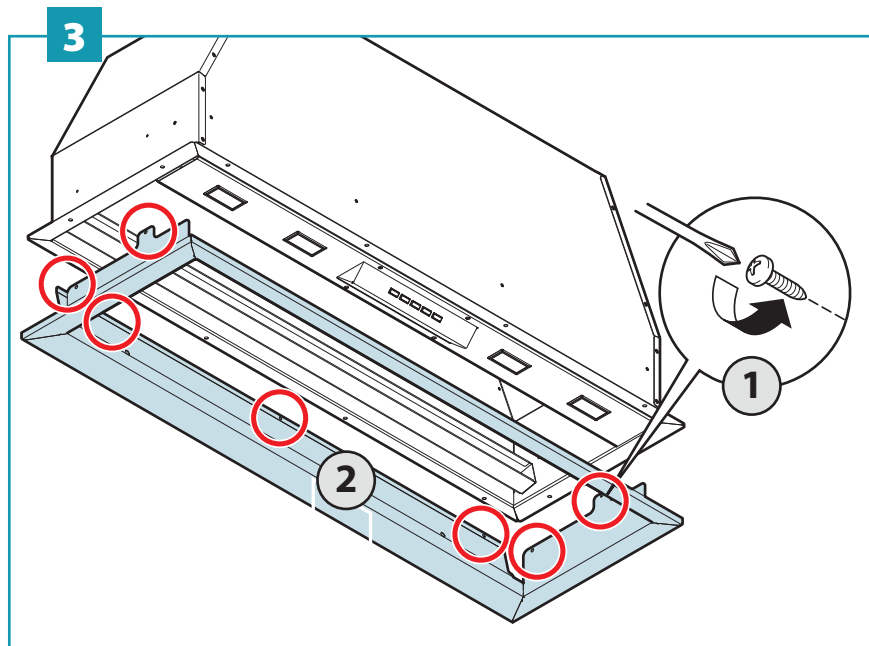
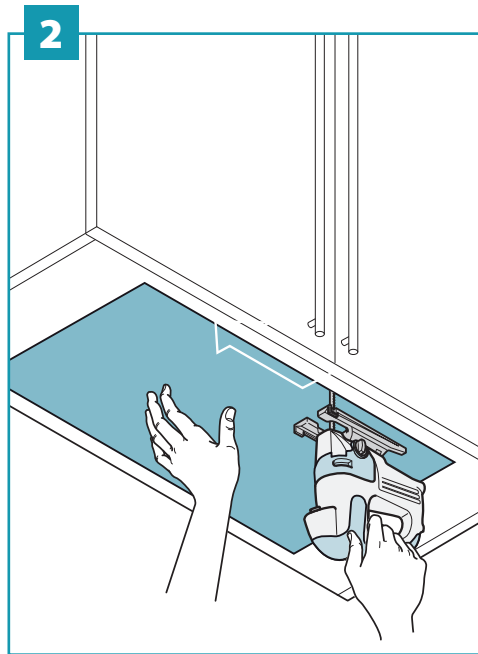
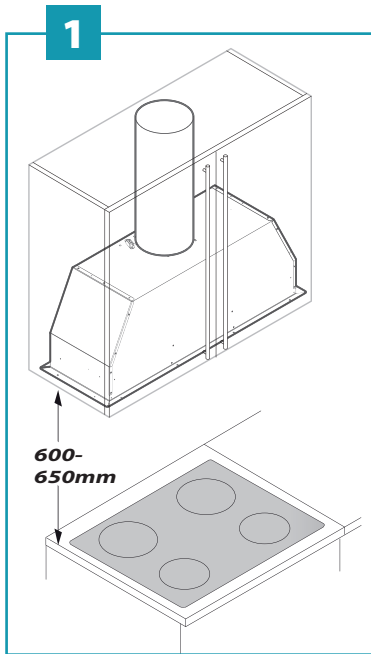
Connect the hood outlet (in the top or back ducted position) to 150 mm ducting leading to an external output.

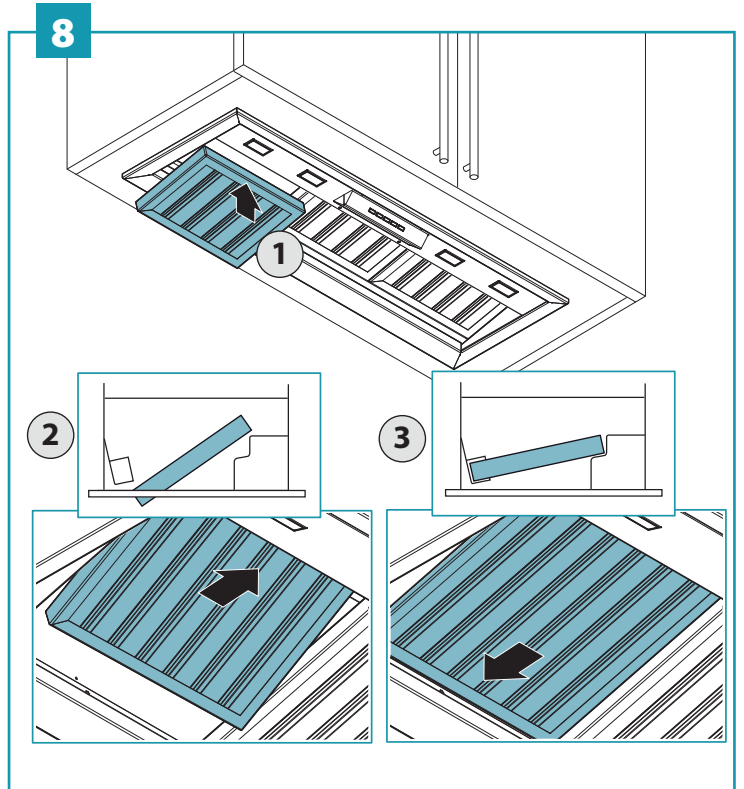
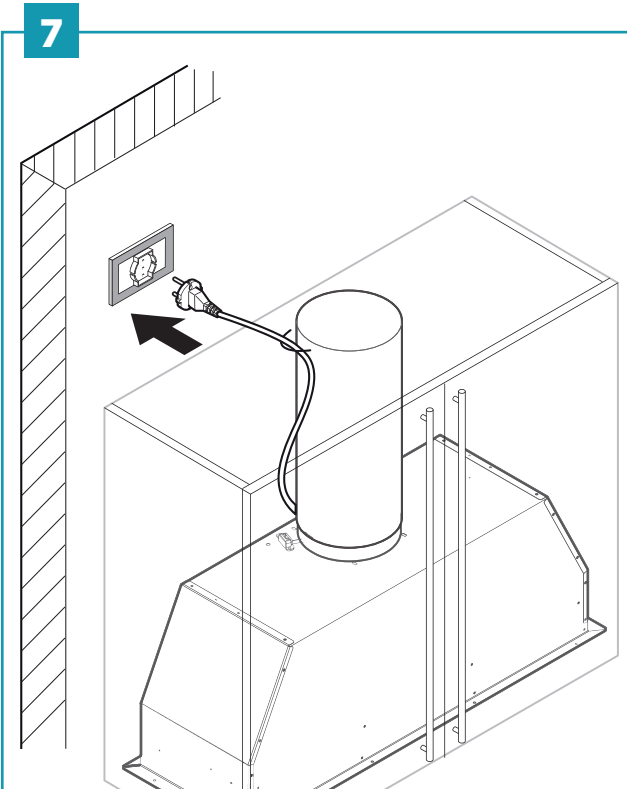
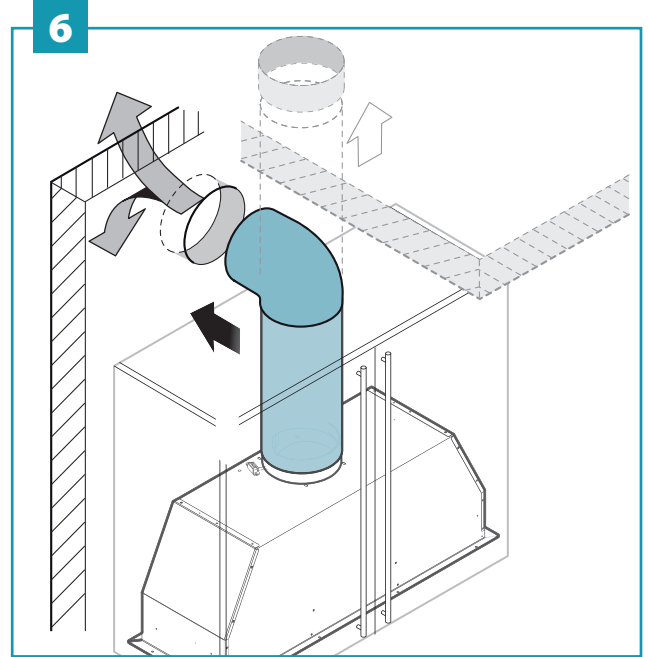
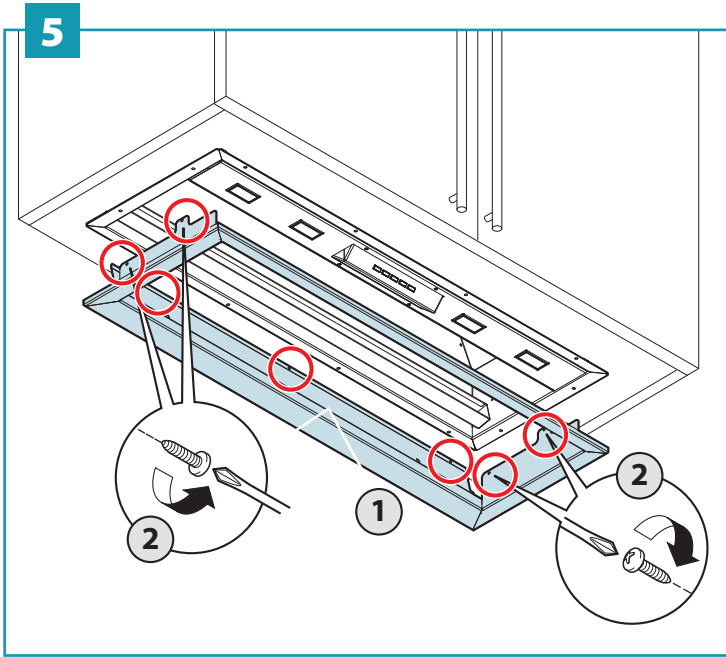
STEP 7:

Attach the male plug of the rangehood unit to the main power supply.
Note to electricians: Standard 10 amp general power outlet (GPO) required.
Position GPO as close to the hood unit as possible.

GREASE TRAP AND BAFFLE FILTERS:

The integrated range of hoods utilize a removable grease trap that is used to catch excess amounts of grease and condensate from the baffle filters. This trap can be removed for cleaning. The trap consists of a concave channel with fixing points in the channel of the trap. The baffle filters will then sit within the channel, with the filter vanes running downward.



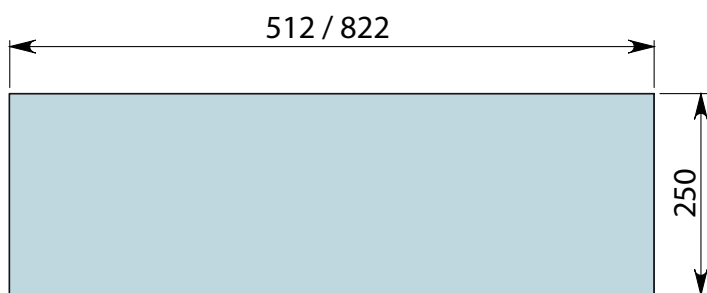
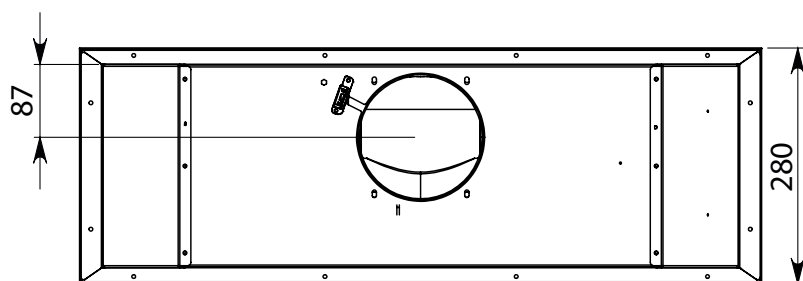
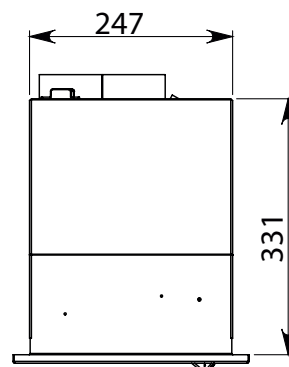
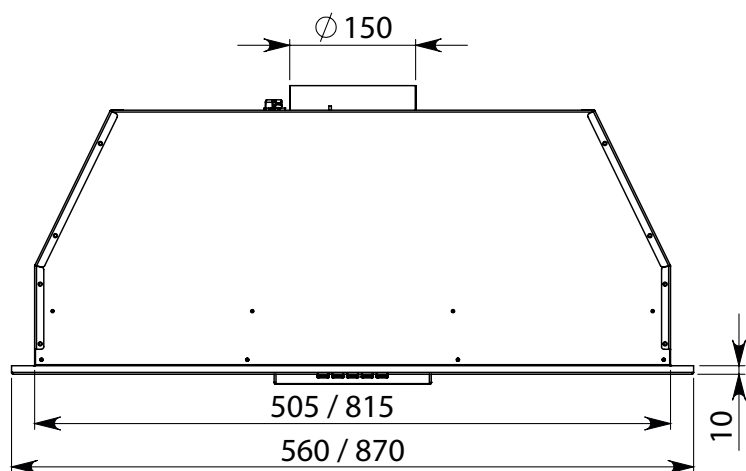


SIENA 60 / 90

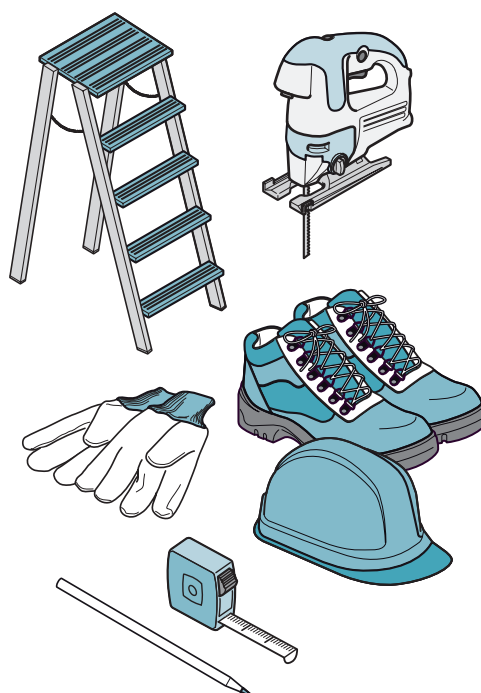
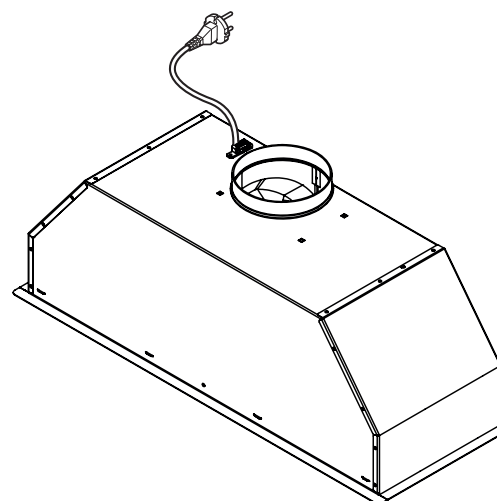


13 kg

All measurements in mm



HOLE MEASUREMENTS FOR INSTALLATION

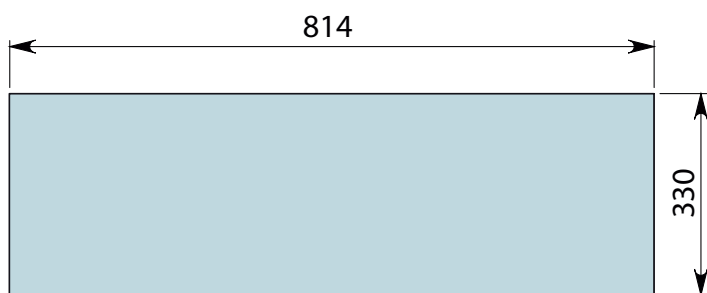
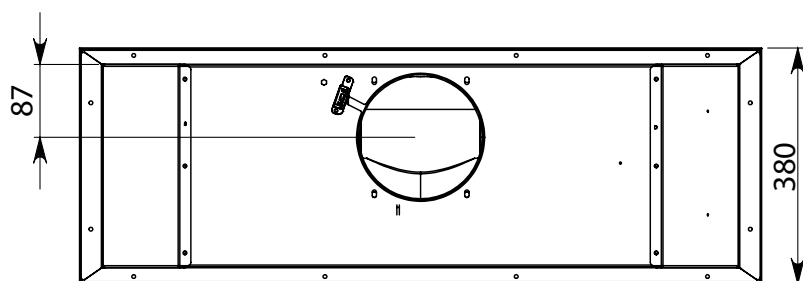
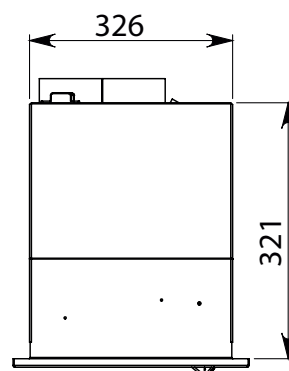
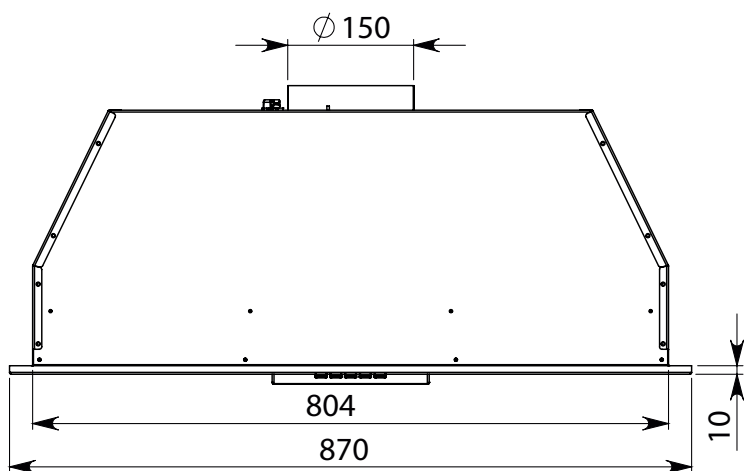


SIENA 90 DEEP

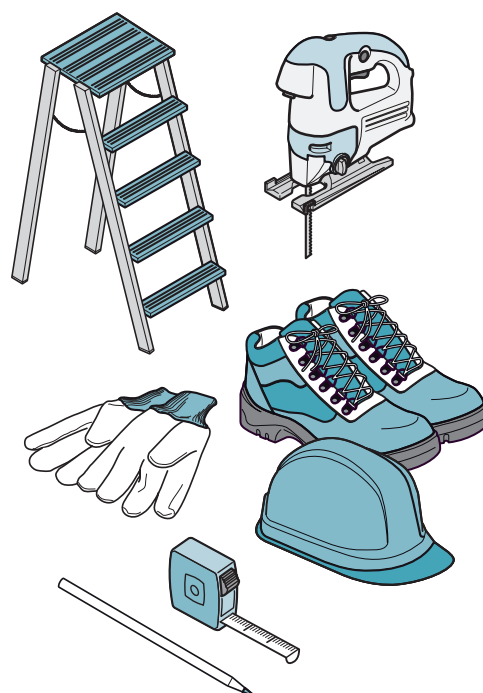
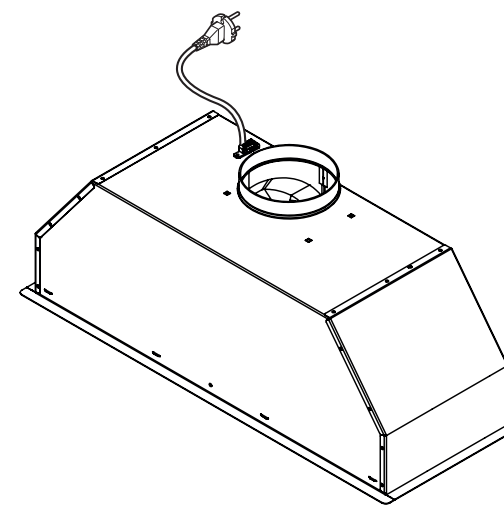


13 kg

All measurements in mm



HOLE MEASUREMENTS FOR INSTALLATION



PART 1: HOOD INSTALLATION GUIDE - INTEGRATED HOODS - REMOTE MOTOR

INTEGRATED HOOD

Models include MILANO F3ML60S1, F3ML90S1, F3MLD90S1, F3MLD12S1 and GENOVA F3GV12S1



WARNING

DIMENSIONS ARE ACCURATE AT THE TIME OF PRINTING, PR KITCHEN & WASHROOM SYSTEMS PTY LTD RESERVES THE RIGHT TO CHANGE SPECIFICATIONS WITHOUT NOTICE. FOR BUILDING PURPOSES THE UNIT SHOULD BE PROVIDED TO THE CABINET MAKER / BUILDER / KITCHEN DESIGNER FOR EXACT MEASUREMENTS.



STEP 1:

To install into your overhead cupboard, several holes may need to be cut into shelves to enable the ducting to exit the cavity. Ensure the hood is mounted as close to the centre of the cooking surface as possible.

NOTE:

The height of the underside of the hood body must be a minimum of 600 mm above an electric cooktop & 650mm above a gas cooktop and a maximum height of 1200 mm. If the instructions of the hob specify a greater distance than the minimum detailed, this shall be the minimum height for installation. Building codes that stipulate a minimum dimension may vary from state to state, please check with your local council prior to installation.

GENOVA F3GV12S1 model only - The height of the underside of the hood body must be a minimum of 1200 mm above a BBQ.

STEP 2:

If a shelf is fitted within the cupboard cut out a central 205 mm hole in the shelf for ducting, matching the holes position to that of the outlet on top of the hood. Additional holes might need to be cut to feed the duct out to the roof cavity.

STEP 3:

Remove the screws from within the main body of the rangehood along the back above the grease trap, on the left and right side. Once the screws are removed, the main body of the rangehood will separate away from stainless steel fascia.

STEP 4:

The returns on the main body are now exposed. These are used to fix the main body on to the cabinetry. Place the hood in the cabinet in the level position ensuring that the controls and display will be visible when standing in front of the unit. Using the pre-drilled mounting holes, screw the hood into position.

STEP 5:

Once the main body is secure into the cabinetry the stainless steel fascia can then be slid inside the main body.

The fascia will cover the screws that have fixed the main body into the cabinetry. Place the screws back into place which were removed in step 3.

PART 1: HOOD INSTALLATION GUIDE - INTEGRATED HOODS - REMOTE MOTOR

STEP 6:

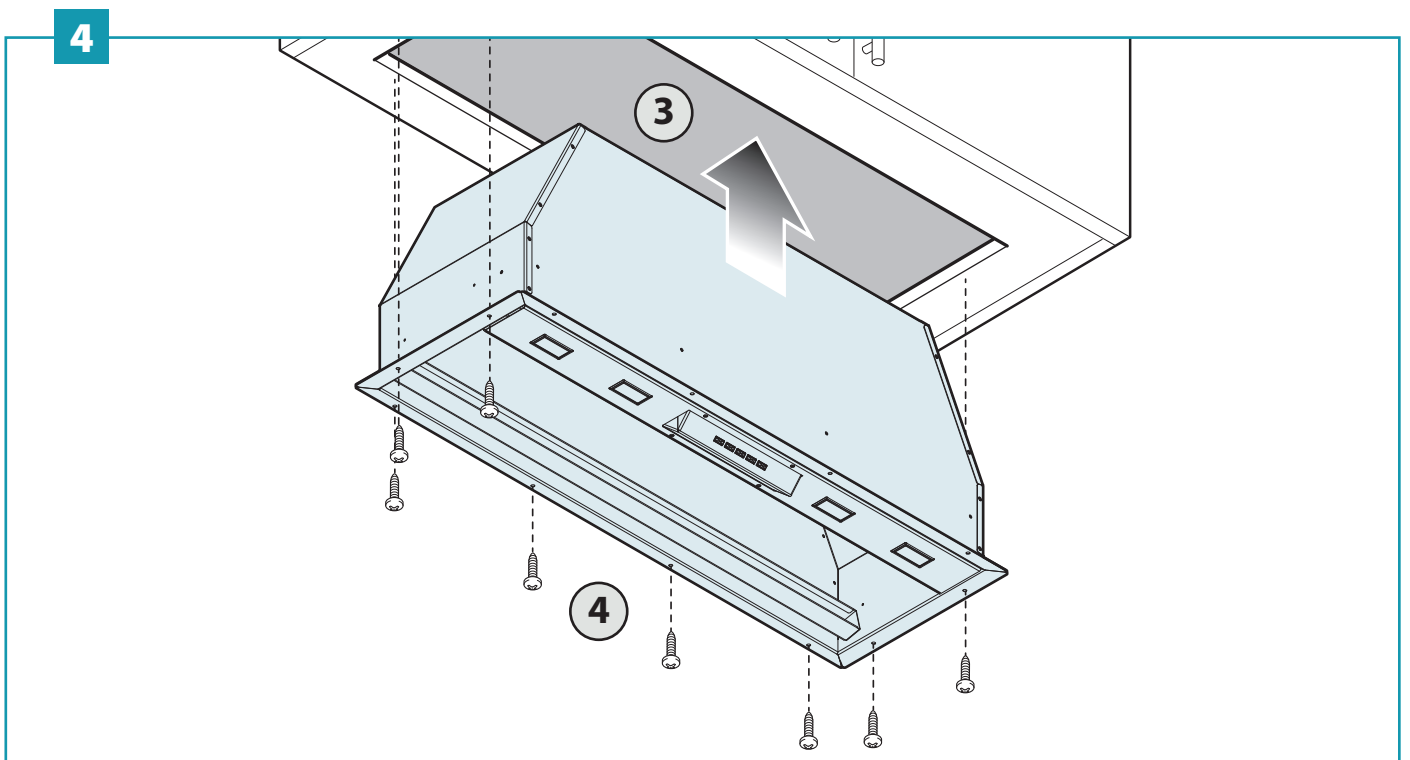
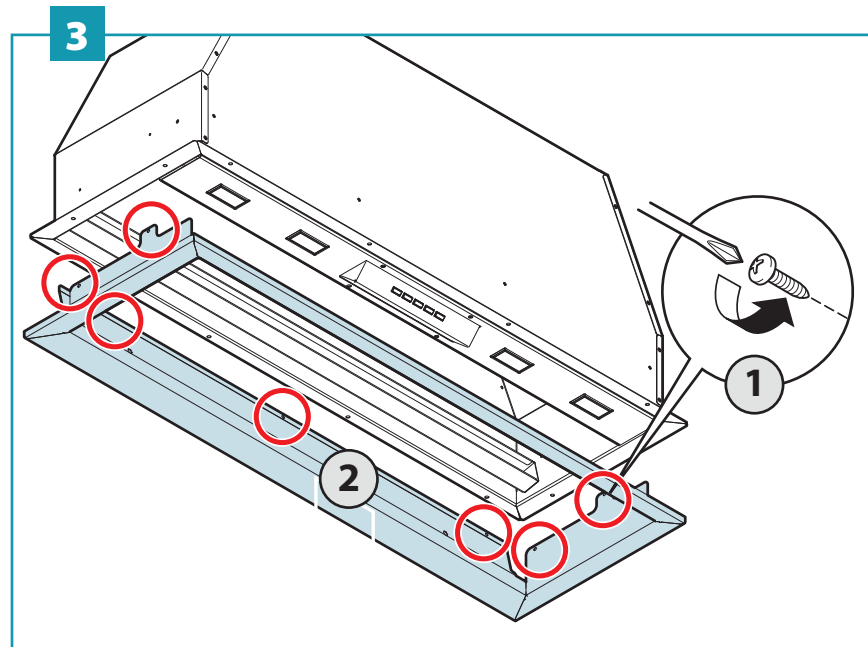
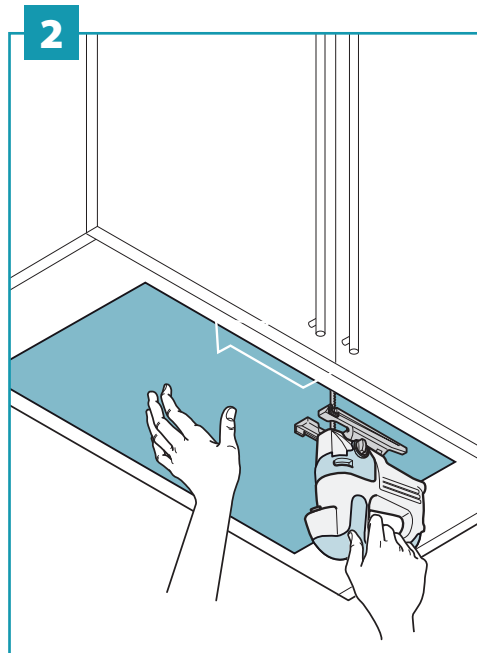
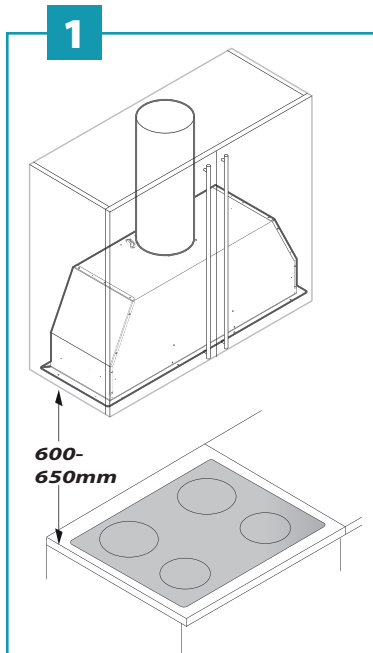
Connect the hood outlet to the 200 mm flexi ducting leading to the in-roof or external motor.

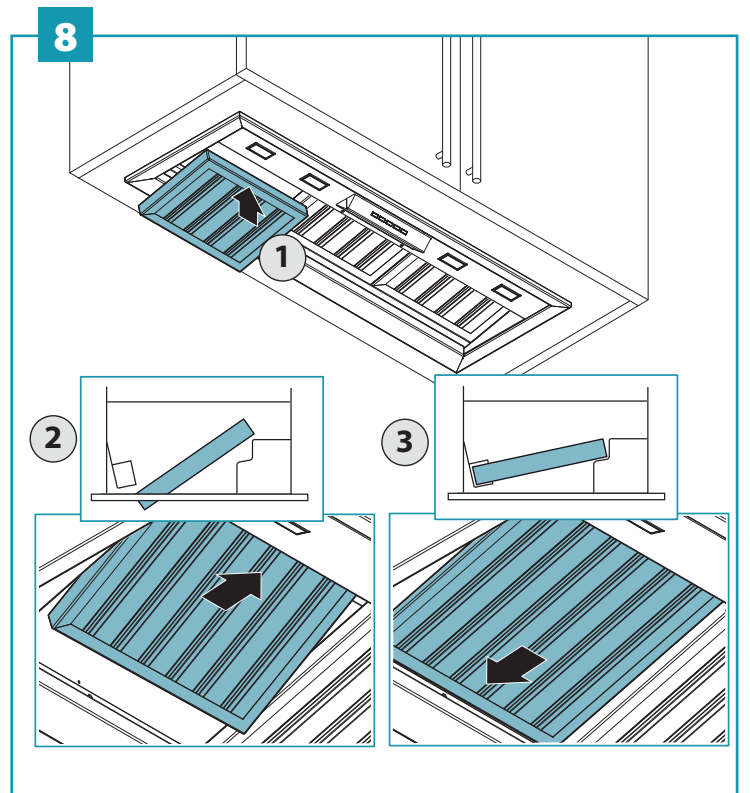
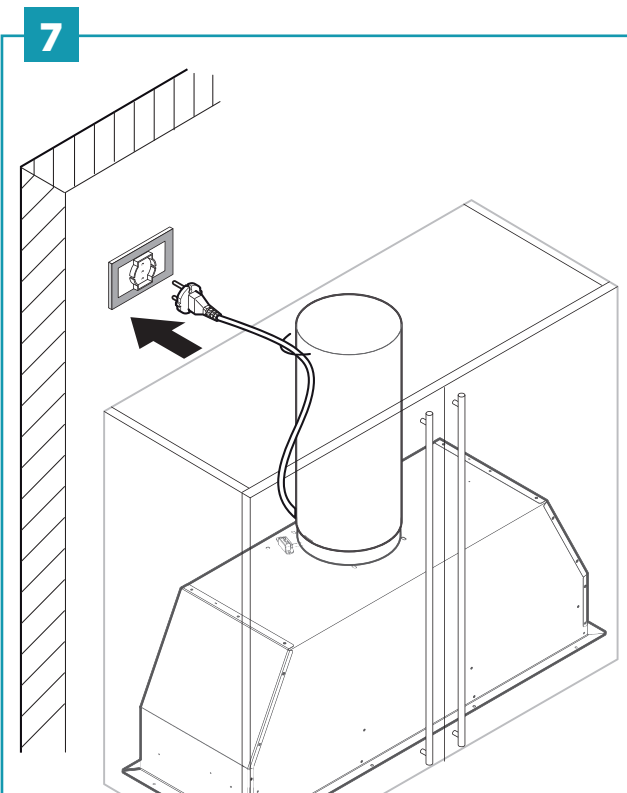
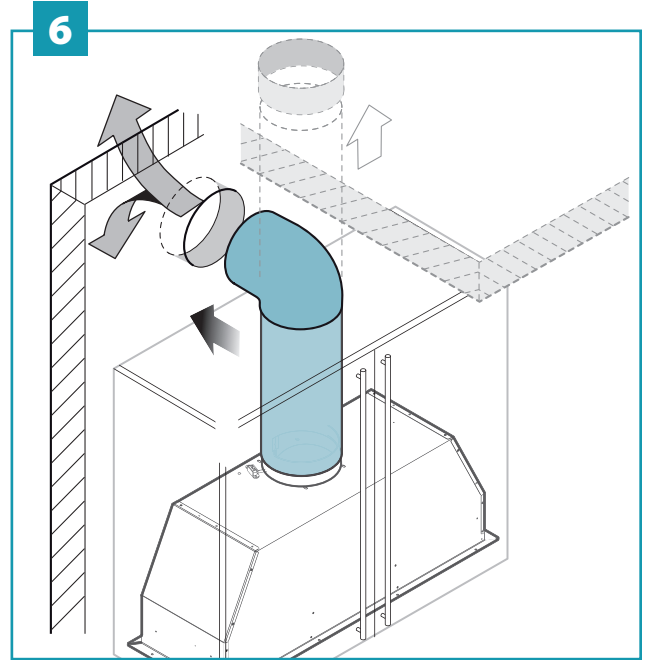
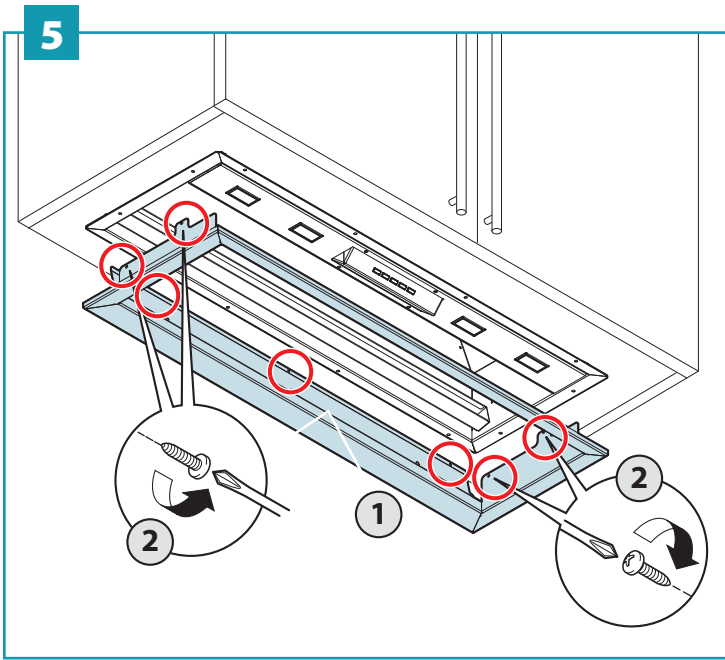
STEP 7:

Attach the male plug of the rangehood unit to the main power supply. Note to electricians: Standard 10 amp general power outlet (GPO) required. Position GPO as close to the hood unit as possible.

STEP 8:

Connect the female power socket of the rangehood to the male plug from the remote motor .



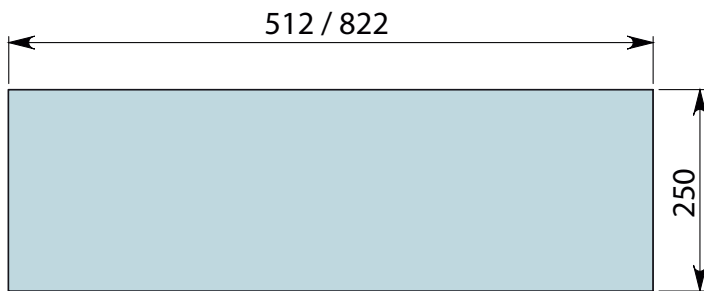
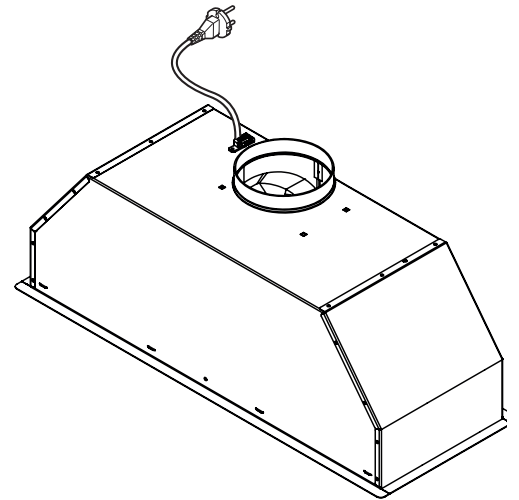
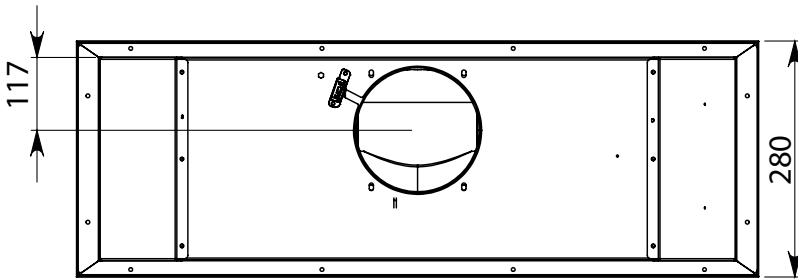
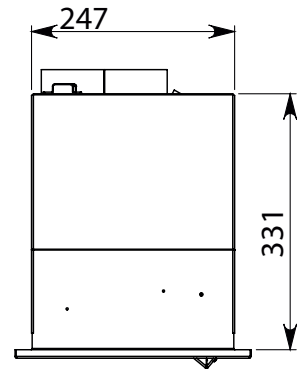
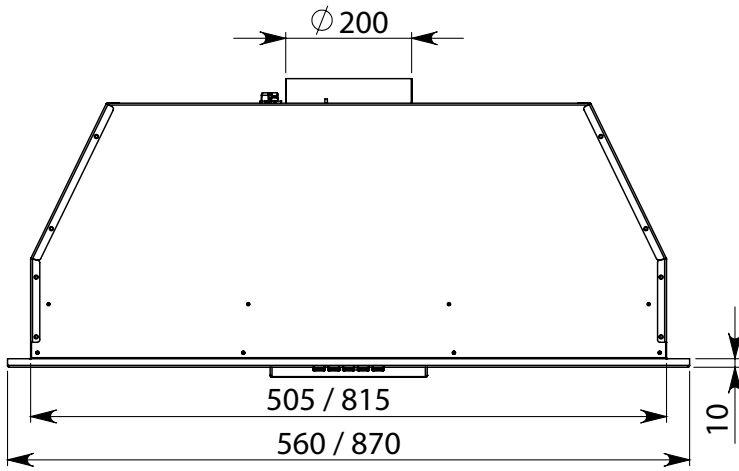


MILANO 60 / 90

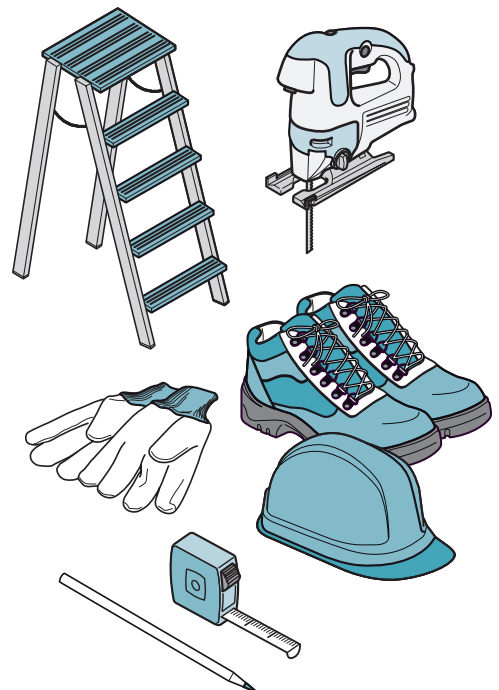


13 kg

All measurements in mm



HOLE MEASUREMENTS FOR INSTALLATION

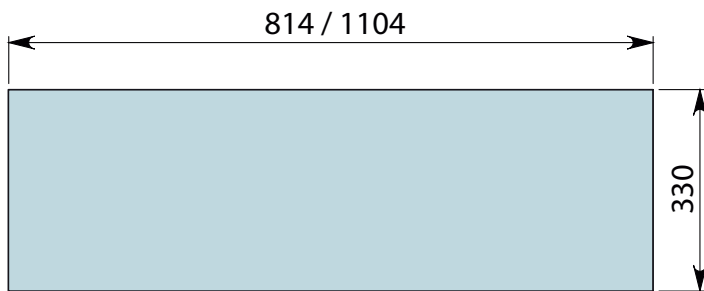
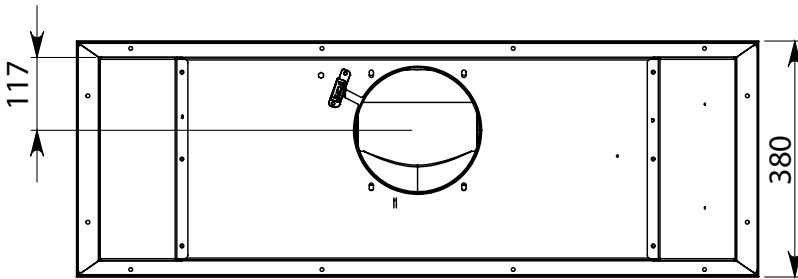
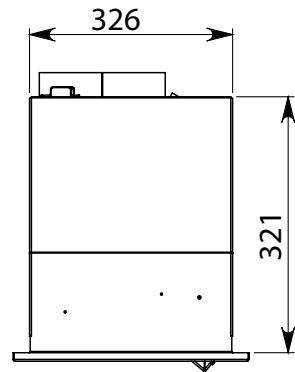
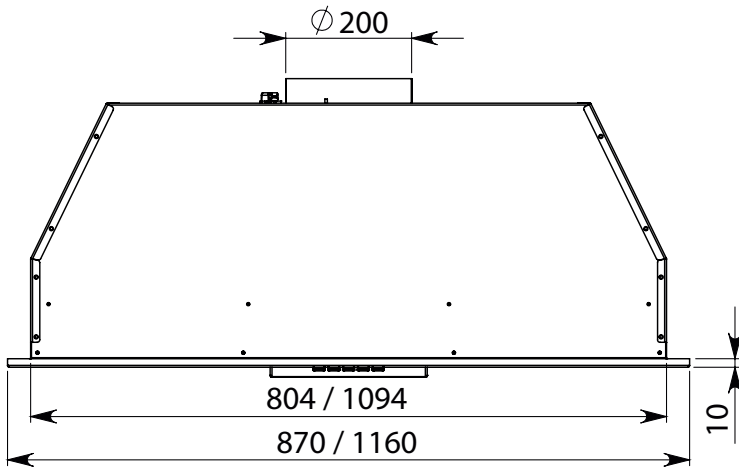


MILANO 90 / 120 DEEP

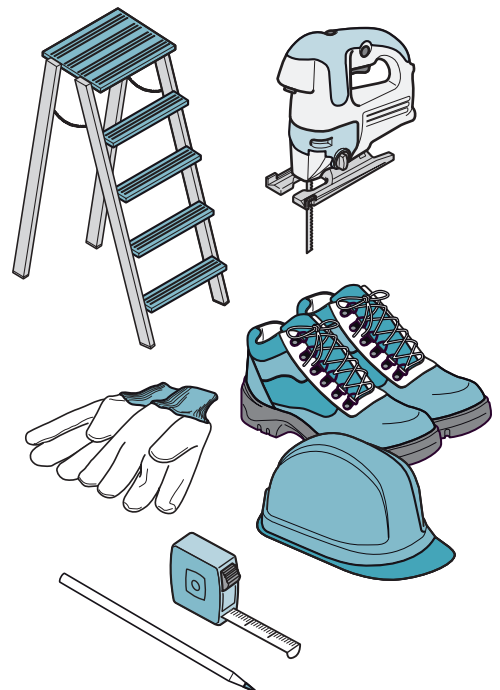
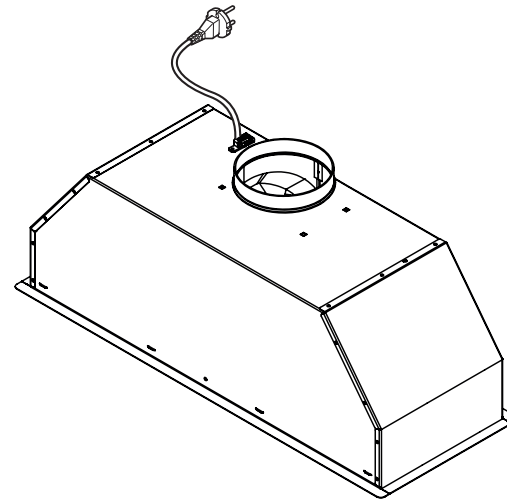


13 kg

All measurements in mm



HOLE MEASUREMENTS FOR INSTALLATION



PART 1: HOOD INSTALLATION GUIDE - WALL HUNG

WALL HUNG CANOPY

Models include **LATINA** F5LT90S1, **TREVISO** F5TV90S1, **ROMA** F5RM90B1, **MODENA** F5ME12S1 and **TRENTO** F5TN12S1



WARNING

DIMENSIONS ARE ACCURATE AT THE TIME OF PRINTING, PR KITCHEN & WASHROOM SYSTEMS PTY LTD RESERVES THE RIGHT TO CHANGE SPECIFICATIONS WITHOUT NOTICE. FOR BUILDING PURPOSES THE UNIT SHOULD BE PROVIDED TO THE CABINET MAKER / BUILDER / KITCHEN DESIGNER FOR EXACT MEASUREMENTS.



STEP 1:

Measure the height of the hood from the base to the top of the mounting hooks.

NOTE:

The height of the underside of the hood body must be a minimum of 600 mm above an electric cooktop & 650 mm above a gas cook top and a maximum height of 1200 mm. If the instructions of the hob specify a greater distance than the minimum detailed, this shall be the minimum height for installation. Building codes that stipulate a minimum dimension may vary from state to state, please check with your local council prior to installation.

MODENA F5ME12S1 & **TRENTO** F5TN12S1 models only - The height of the underside of the hood body must be a minimum of 1200 mm above a BBQ.

STEP 2:

Using a spirit level mark a vertical centre line on the wall where the hood hooks need to be positioned. It is best to centre the hood unit to the cook top below.

STEP 3:

Mark a horizontal line on the wall for the mounting bracket position. Centre and mark the two (2) fixing points to the left and right of the centre line.

STEP 4:

Drill and plug holes with suitable sized wall plugs. Fix the wall bracket with two (2) suitable screws into the wall at the positions marked in step 3 to allow the body of the hood to be hung on the wall.

STEP 5:

Hang the body of the hood on the wall using the bracket attached in step 4.

Adjust the alignment of the hood using the fixing screws located in each bracket. The upper screw (B) adjusts the distance from the wall, the lower one (C) the vertical scrolling.

Identify and mark several screw holes located inside the hood. Remove the hood from the wall and drill and plug holes with suitable sized wall plugs.

STEP 6:

Replace the hood back on the wall and secure the hood by fixing the additional screws inside the hood housing.

PART 1: HOOD INSTALLATION GUIDE - WALL HUNG

STEP 7:

Insert the flue extension into the main flue cover. Fasten to the hood body using the screws provided (V5). Slide the extension until it reaches the desired height.

STEP 8:

Place the white flue bracket on the wall, verify the horizontal alignment with a spirit level and mark the 2 drilling points at the ends.

STEP 9:

Drill, insert 2 \varnothing 6mm expansion plugs and fasten bracket with the relative screws (V4).

STEP 10:

Connect the hood outlet to the 200 mm Flexi ducting leading to the in-roof or external motor.

STEP 11:

Fasten the flue extension to the bracket using the two flat head screws provided.

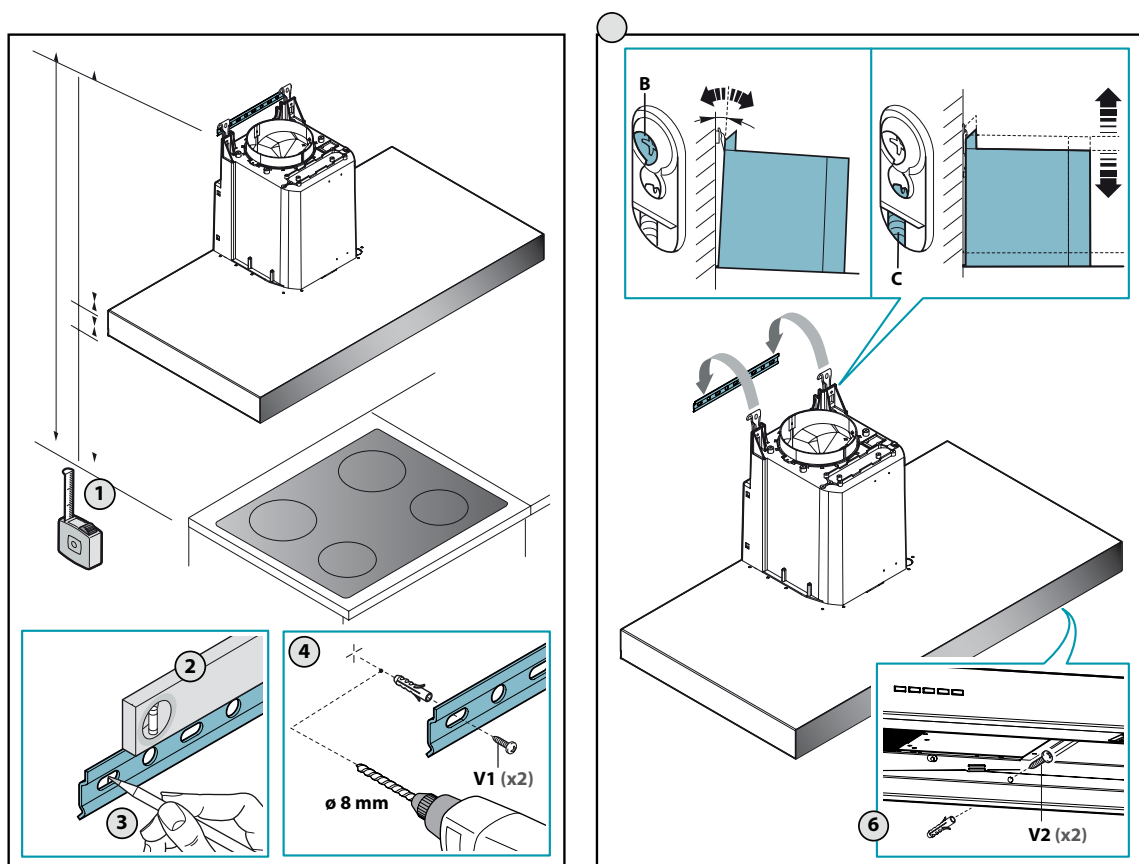
STEP 12:

Attach the male plug of the rangehood unit to mains power supply. Note to Electricians: Standard 10 Amp General Power Outlet (GPO) required. Position GPO as close to the hood unit as possible.

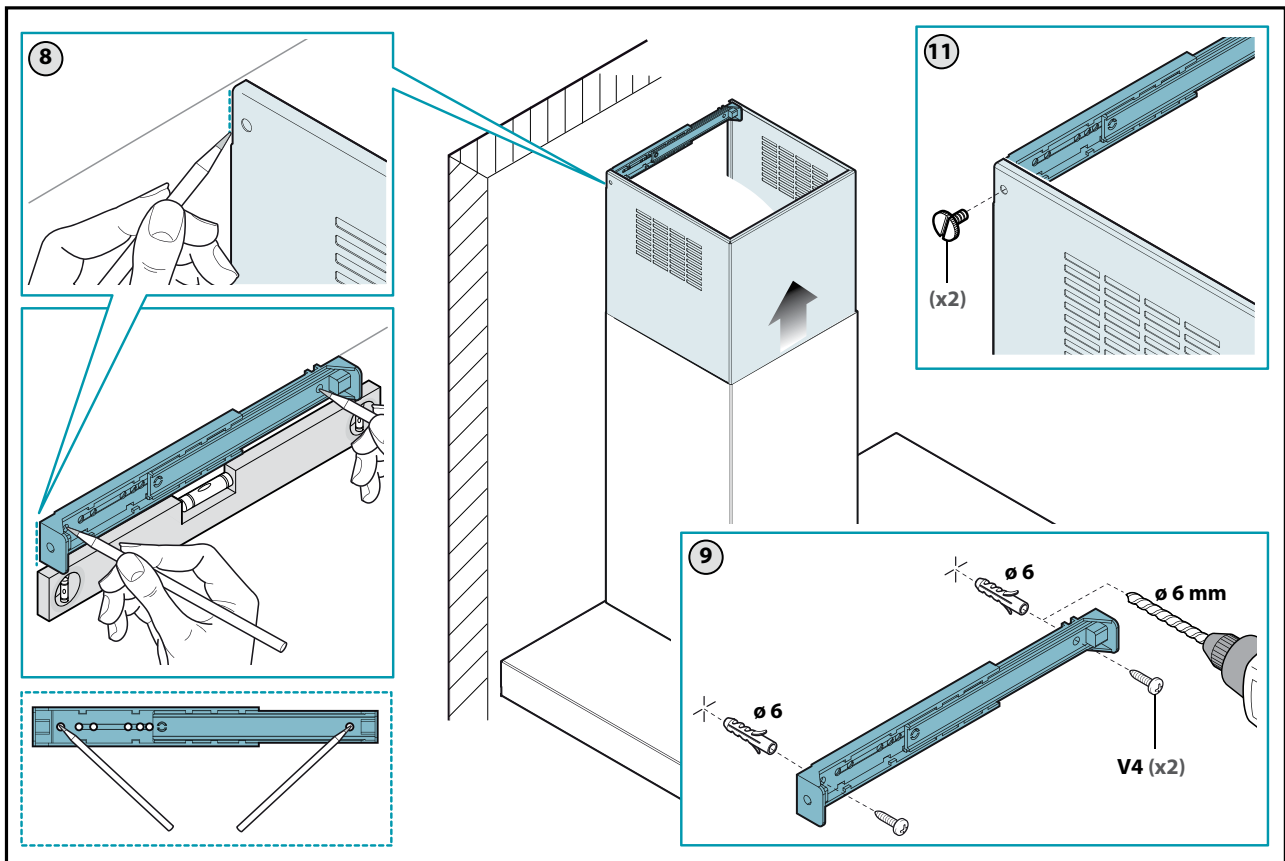
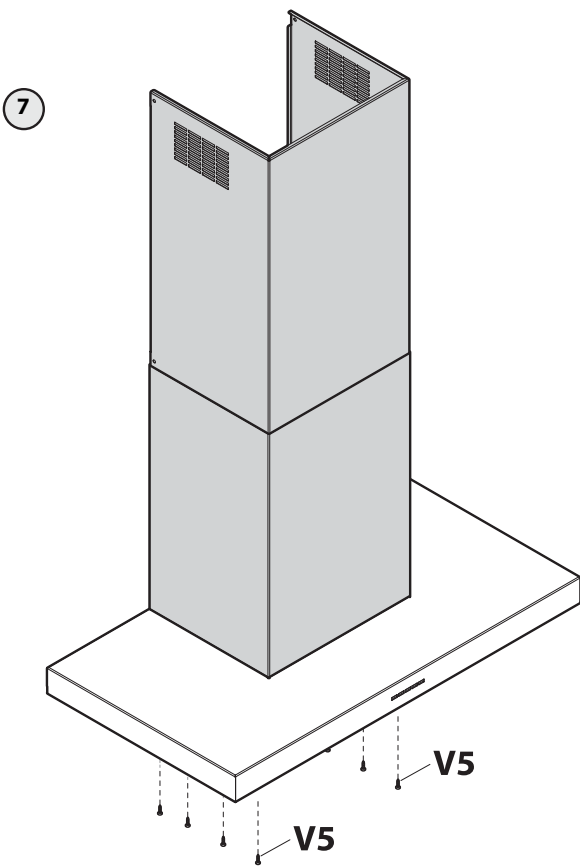
STEP 13:

Connect the female power socket of the rangehood to the male plug from the remote motor.

5



PART 1: HOOD INSTALLATION GUIDE - WALL HUNG



PART 1: HOOD INSTALLATION GUIDE - ISLAND CANOPIES - REMOTE MOTOR

ISLAND HUNG CANOPY

Models include **TREVISO F7TV90S1**, **ROMA F7RM90S1** and **TRENTO F7TN12S1**



WARNING

DIMENSIONS ARE ACCURATE AT THE TIME OF PRINTING, PR KITCHEN & WASHROOM SYSTEMS PTY LTD RESERVES THE RIGHT TO CHANGE SPECIFICATIONS WITHOUT NOTICE. FOR BUILDING PURPOSES THE UNIT SHOULD BE PROVIDED TO THE CABINET MAKER / BUILDER / KITCHEN DESIGNER FOR EXACT MEASUREMENTS.



STEP 1:

Using a weighted stringline (plumb line), determine the central position of hood on the ceiling. It is best to centre the hood unit to the cooktop below. Mark the position. Before making the cut out, check for obstructions like electrical cables, etc.

Next measure the distance from cooktop to the ceiling and decide the height you wish to position the hood at and take the measurement as illustrated.

NOTE:

The height of the underside of the hood body must be a minimum of 600 mm above an electric cooktop & 650 mm above a gas cooktop and a maximum height of 1200 mm. If the instructions of the hob specify a greater distance than the minimum detailed, this shall be the minimum height for installation. Building codes that stipulate a minimum dimension may vary from state to state, please check with your local council prior to installation.

TRENTO F7TN12S1 model only - The height of the underside of the hood body must be a minimum of 1200 mm above a BBQ.

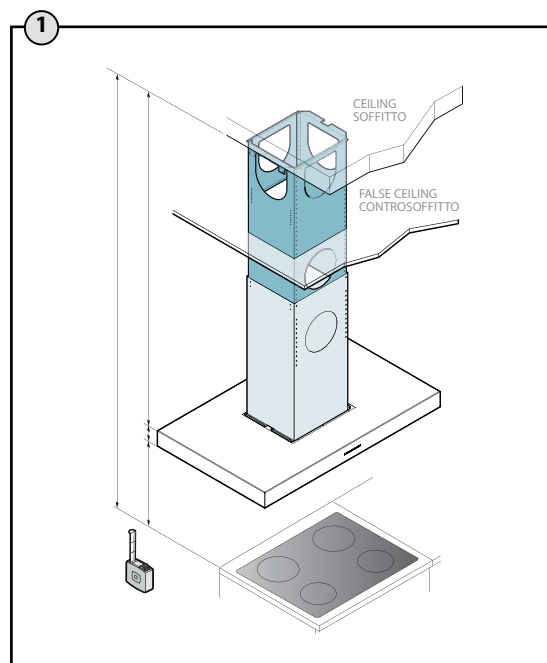
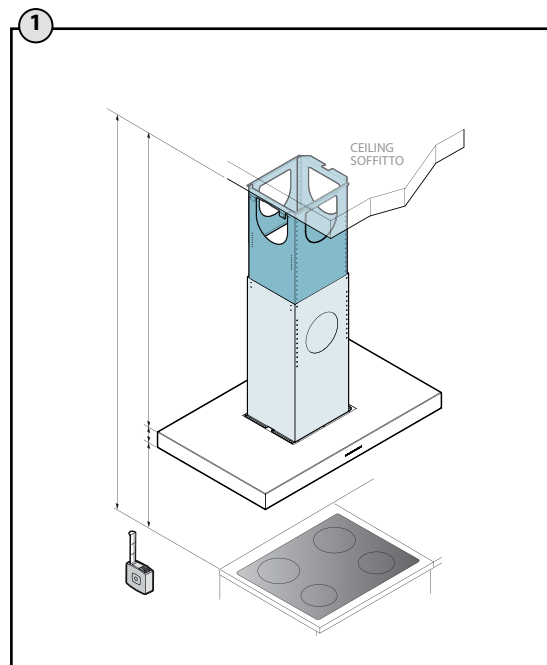
STEP 2:

Slide the two parts of the trellis (T) and (T1) to the required height established in step 1.

When the height is set, insert the 8 screws (V2) to secure the two parts of the trellis (T) and (T1) together.

Mark 4 drilling points on the ceiling, drill (2.1) Put in 4 x \varnothing 8mm expansion bolts and secure the trellis assembly (T+T1) to the ceiling by the relative screws (V1)

Feed the Flexi Duct down the inside of the roof bracket and let hand, ready to be attached to the flange of the rangehood in step 6



STEP 3

Insert the extension flue into the main piece and secure at the required height with masking tap.

STEP 4:

Slide the stainless steel chimney covers up and secure to the bracket. You may need to drill some new holes through the cover and bracket to secure the chimney cover depending on desired length. In order to avoid streaking the steel during the installation process do not remove the protective film from the upper piece until all pieces are in the correct position.

STEP 6:

Attach the hood unit to the base of the bracket.

STEP 7:

Secure the hood firmly to the wall by tightening the hood hooks.

STEP 8:

Secure the chimney bracket to the wall.

STEP 9:

Attach the male plug of the rangehood unit to mains power supply.

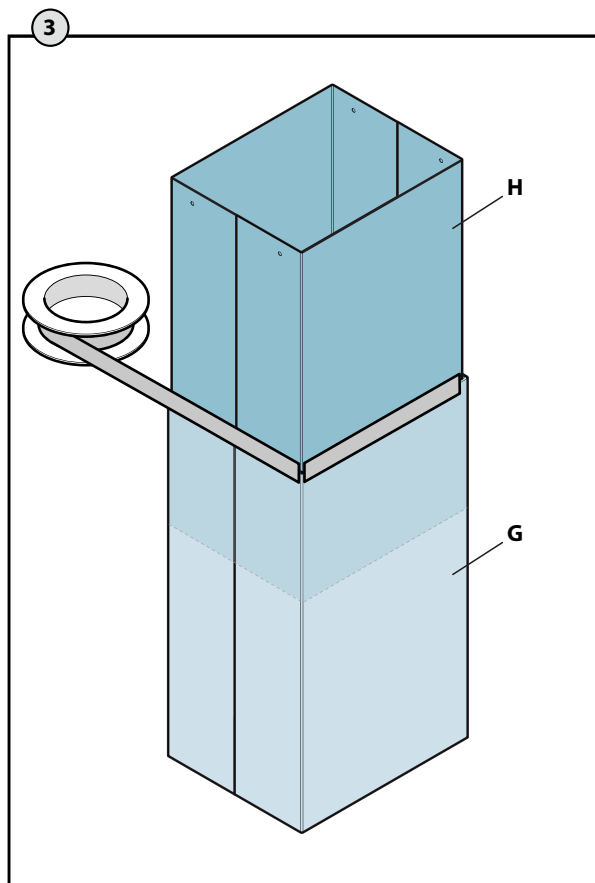
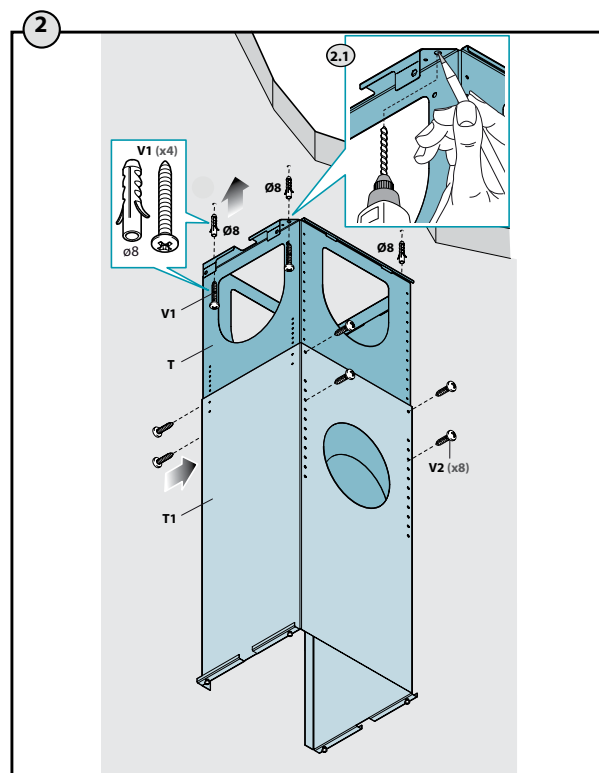
Note to electricians: Standard 10 Amp General Power

Outlet (GPO) required. Position GPO as close to the hood

unit as possible.

STEP 10:

Connect the female power socket of the rangehood to the male plug from the remote motor.



STEP 3

Insert the extension flue into the main piece and secure at the required height with masking tap.

Slide the stainless steel chimney covers up and secure to the bracket. You may need to drill some new holes through the cover and bracket to secure the chimney cover depending on desired length. In order to avoid streaking the steel during the installation process do not remove the protective film from the upper piece until all pieces are in the correct position.

STEP 6:

Attach the hood unit to the base of the bracket.

STEP 7:

Secure the hood firmly to the wall by tightening the hood hooks.

STEP 8:

Secure the chimney bracket to the wall.

STEP 9:

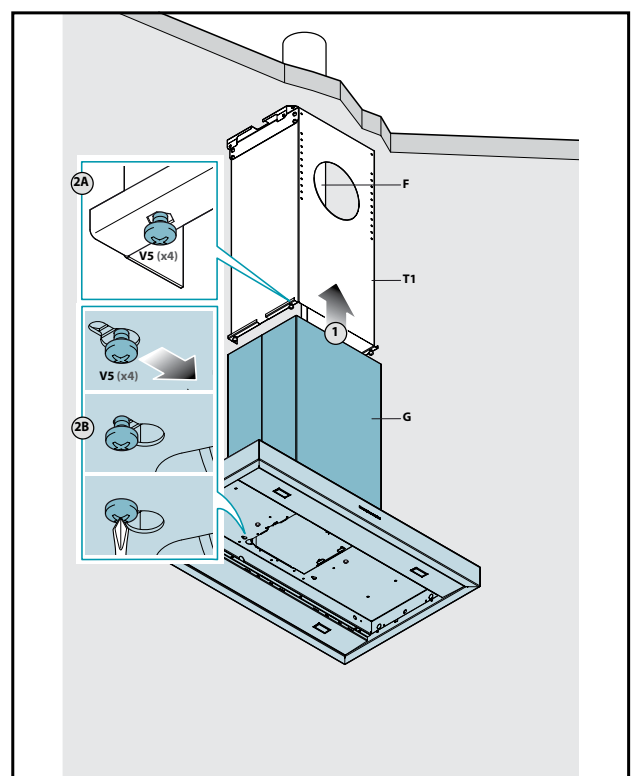
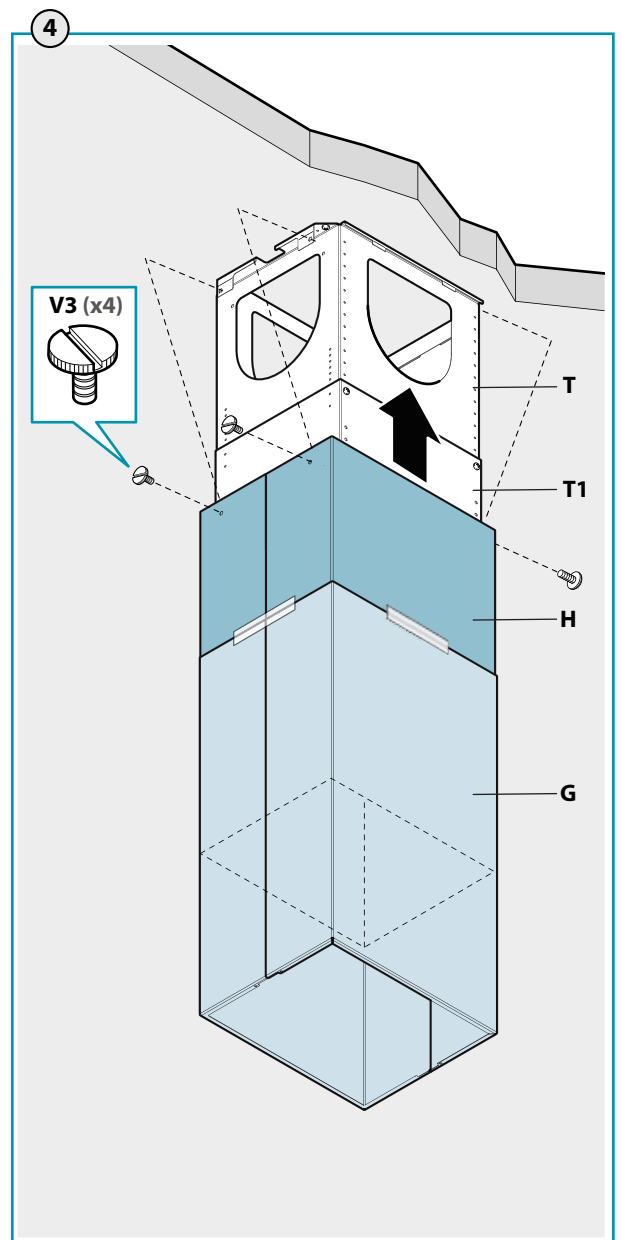
Attach the male plug of the rangehood unit to mains power supply.

Note to electricians: Standard 10 Amp General Power

Outlet (GPO) required. Position GPO as close to the hood unit as possible.

STEP 10:

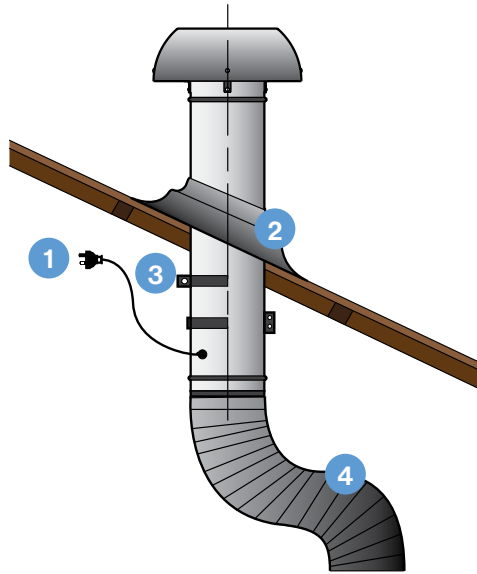
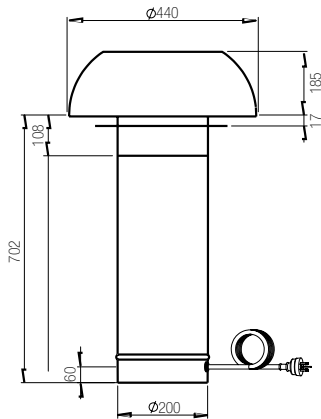
Connect the female power socket of the rangehood to the male plug from the remote motor.



REMOTE MOTOR SOLUTIONS

EXTERNAL ROOF SOLUTION

765, 1140 & 2010m³/h



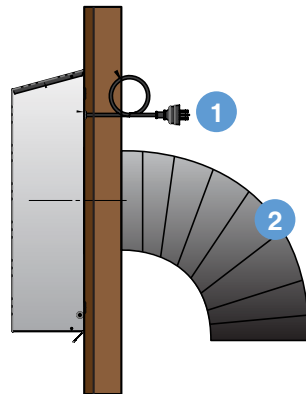
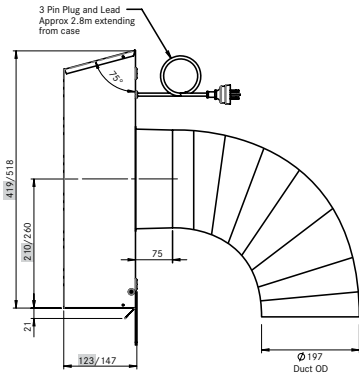
1. Fan power supply connects to internal hood unit
2. Tile or metal roof flashing (optional accessory)
3. Rigid duct mount (optional accessory)
4. 200mm flexi ducting (attached to internal hood unit)*

**Advise to include gentle bend in duct run as well ensuring ducting is pulled tight and excess removed.*

We recommend to install the roof motor offset from rangehood to avoid direct noise travel.

EXTERNAL WALL SOLUTION

765, 1140 & 2010m³/h



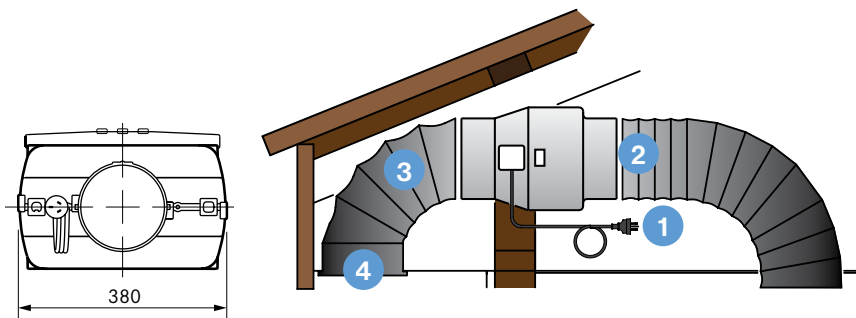
1. Fan power supply (connects to internal hood unit)
2. 200mm flexi ducting (attached to internal hood unit)*

**Advise to include gentle bend in duct run as well ensuring ducting is pulled tight and excess removed.*

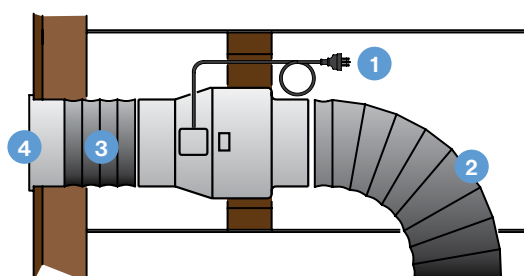
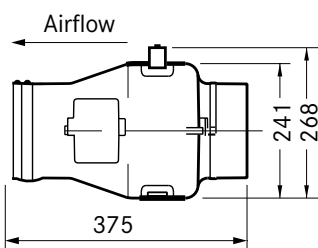
EW-765/1140 Dimensions
EW-2010 Dimensions

IN-ROOF MOTOR SOLUTION

765 & 1140m³/h



1. Fan power supply (attached to internal hood unit)
2. 200mm flexi duct installed between rangehood and motor inlet*
3. 200mm flexi duct installed between motor outlet and wall/eave vent
4. Vent installed in eave position



1. Fan power supply (attached to internal hood unit)
2. 200mm flexi duct installed between rangehood and motor inlet*
3. 200mm flexi duct installed between motor outlet and wall/eave vent
4. Vent installed in wall position

**Advise to include gentle bend in duct run as well ensuring ducting is pulled tight and excess removed.*

All measurements in mm

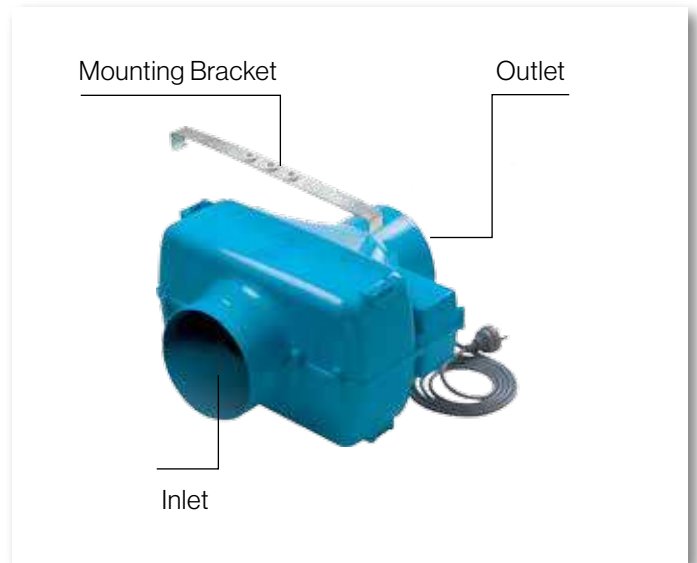
PART 2: MOTOR INSTALLATION GUIDE

IN ROOF SOLUTION

Positioning your In-Roof Unit:

It is recommended that the In-Roof motor unit be mounted in a roof space or wall cavity. Please ensure that the In-Roof motor unit is positioned in an environment that is free of other gases to enable an efficient expulsion of the cooking by-products and to ensure that back draft of external gases doesn't take place.

Please ensure the motor is positioned away from other exhausts such as replace chimneys, gas fuses, etc. The inline unit can be mounted so that it ducts directly through the wall or eave



STEP 1:

Establish a suitable position in the roof or wall cavity for the In-Roof motor unit, ensuring that the distance between the Roof motor unit and the outside vent is under 800 mm. The In-Roof motor unit must be located a minimum of 3 metres from the hood unit.

STEP 2:

Using the mounting bracket and screws, mount the In-roof motor unit to a beam, truss or another appropriate structures in the roof or wall space. Ensure the direction of airflow is toward the outside. The direction of airflow is marked on the In-roof motor unit.

STEP 3:

Cut a 205 mm diameter hole in the wall or eave to enable the mounting of the external vent. Please ensure that the hole is cut in a practical position to enable the Flexi Duct to be secured. Attach the Flexi Duct to the vent and then mount vent to the wall or eave.

STEP 4:

Attach the Flexi Duct from the external vent to the outlet of the In-roof motor unit using duct clamps. To minimise inefficiencies and noise ensure the duct is pulled tight.

STEP 5:

Attach Flexi Duct from the In-roof motor unit to the rangehood using duct clamps. Ensure that the duct is pulled tightly to ensure that FlexiDuct remains firm and stable during operation. Avoid sharp bends in the duct. Gentle bends in the ducting are recommended as it assists in muffling noise from the fan unit back to the rangehood. If the FlexiDuct needs to be extended attach the two FlexiDuct ends using a RigidDuct insert, secured by pipe clips product tape.

STEP 6:

Attach the male plug of the In-roof motor unit to the female plug of the rangehood to enable power supply to the fan motor unit. An extension lead (not supplied) of up to five meters may be added if required.

PART 2: MOTOR INSTALLATION GUIDE

EXTERNAL ROOF SOLUTION - METAL ROOF INSTALLATION

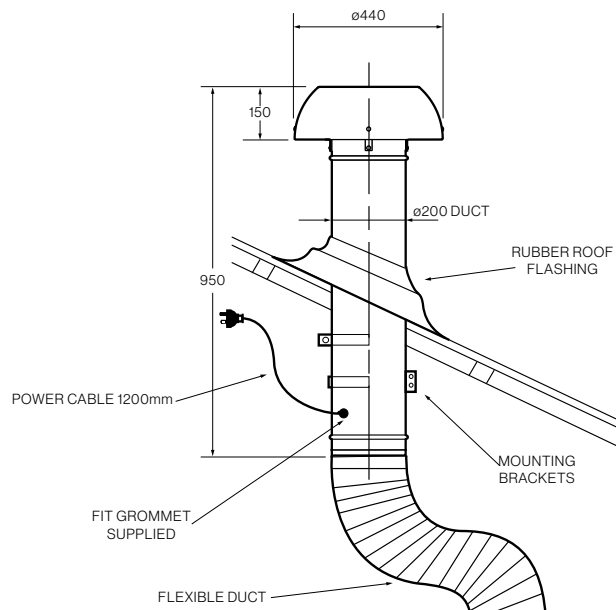
Inspection:

Ensure the unit has arrived in good condition and that the impeller will spin freely.

This product is designed to be installed on a roof up to 45° pitch.

1. Installation of this product should be carried out by appropriately qualified persons.
2. Cut a hole in the roof 200 mm minimum (with regard to roof pitch angle) diameter. The hole should be positioned adjacent to a rafter or other member to facilitate the use of the mounting brackets supplied. Ensure a clean edge.
3. Cut a 190 mm diameter hole in the rubber roof flashing (optional accessory) for fitting over the rigid duct.
4. Slide the flashing over the rigid duct to the required position.
5. Check the fit of the duct in the cut hole. The duct must be positioned vertically.
6. If satisfactory fasten the duct to the rafter or other support using the mounting brackets (optional accessory).
7. Fit the flashing to the metal deck using suitable mounting screws.
8. Attach the flexi duct leading from the rangehood to the bottom of the rigid duct using the supplied duct clamps.
9. Connect the male power plug to the female plug connected to the rangehood. An extension lead (purchased separately) can be used if necessary if the duct run has been extended.

INSTALLATION ON METAL DECK:



Safety Considerations:

1. All connections must be in accordance with any local regulations.
2. Fans have automatic thermal cut out switches incorporated in the motor as standard.
3. This product is not intended for use by persons (including children) with reduced sensory or mental capabilities, or lack of experience and knowledge, unless they have been given supervision or instruction concerning use of the product by a person responsible for their safety. Children should be supervised to ensure that they do not play with the product.
4. For duct or partition mount, precautions must be taken to avoid the back-flow of gases into the room from the open flue of gas or other open-fire appliances.
5. If the supply cord is damaged it must be replaced by the manufacturer, its service agent or similarly qualified persons in order to avoid a hazard.

PART 2: MOTOR INSTALLATION GUIDE

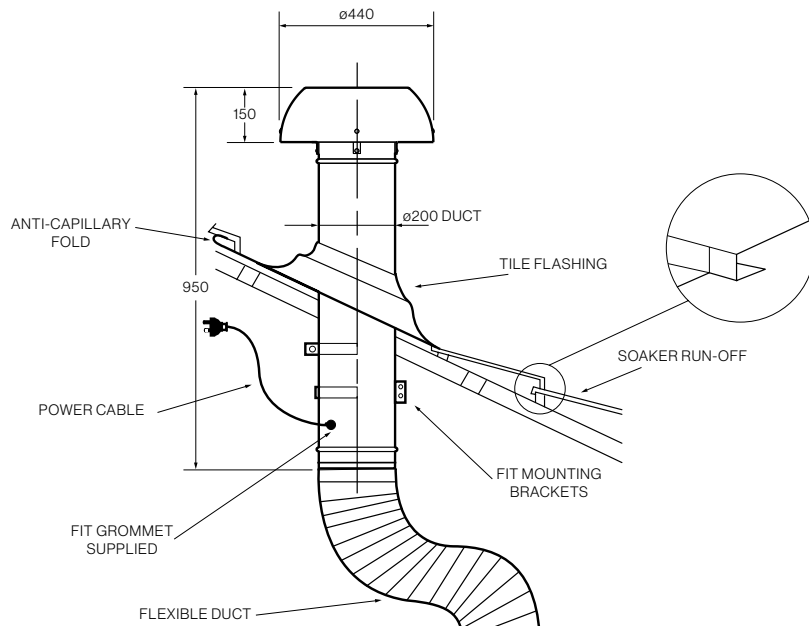
EXTERNAL ROOF SOLUTION - TILE ROOF INSTALLATION

Inspection:

Ensure the unit has arrived in good condition and that the impeller will spin freely.

This product is designed to be installed on a roof up to 45° pitch.

1. Installation of this product should be carried out by appropriately qualified persons.
2. Prepare an opening in the tiled roof 220 mm minimum (with regard to roof pitch angle) diameter. The hole should be positioned adjacent to a rafter or other member to facilitate the use of the mounting brackets supplied.
3. Cut a 190 mm diameter hole in the rubber roof flashing (optional accessory) for fitting over the rigid duct.
4. Slide the flashing over the rigid duct to the required position.
5. Check the fit of the duct in the cut hole. The duct must be positioned vertically.
6. If satisfactory fasten the duct to the rafter or other support using the mounting brackets (optional accessory).
7. Fit the upper edge of the flashing underneath the tile, bending over top edge to form an anti-capillary barrier.
8. Cut two tabs in the corners of the lower section and turn under tile (refer detail). Lay the lower section of the flashing over the tiles and form a run off tray. Form to tiles as required.
9. Attach the flexi duct leading from the rangehood to the bottom of the rigid duct using the supplied duct clamps. (purchased separately) can be used if necessary if the duct run has been extended.
10. Connect the male power plug to the female plug connected to the rangehood. An extension lead (purchased separately) can be used if necessary if the duct run has been extended.



Safety Considerations:

1. All connections must be in accordance with any local regulations.
2. Fans have automatic thermal cut out switches incorporated in the motor as standard.
3. This product is not intended for use by persons (including children) with reduced sensory or mental capabilities, or lack of experience and knowledge, unless they have been given supervision or instruction concerning use of the product by a person responsible for their safety. Children should be supervised to ensure that they do not play with the product.
4. For duct or partition mount, precautions must be taken to avoid the back-flow of gases into the room from the open flue of gas or other open-fire appliances.
5. If the supply cord is damaged it must be replaced by the manufacturer, its service agent or similarly qualified persons in order to avoid a hazard.

PART 2: MOTOR INSTALLATION GUIDE

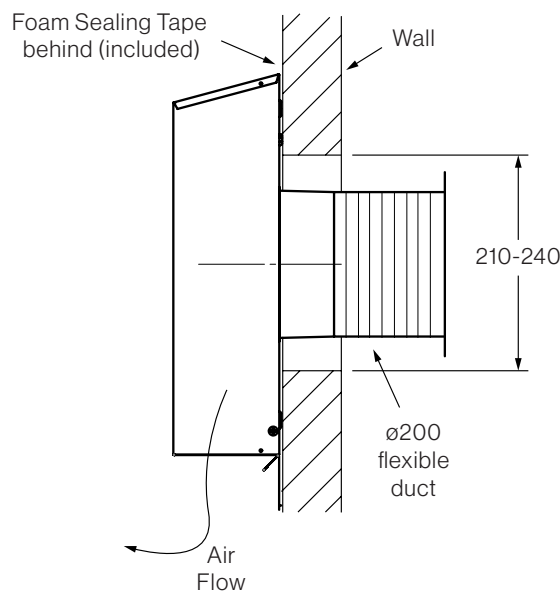
EXTERNAL WALL SOLUTION

Inspection:

Ensure the unit has arrived in good condition and that the impeller will spin freely.

Installation:

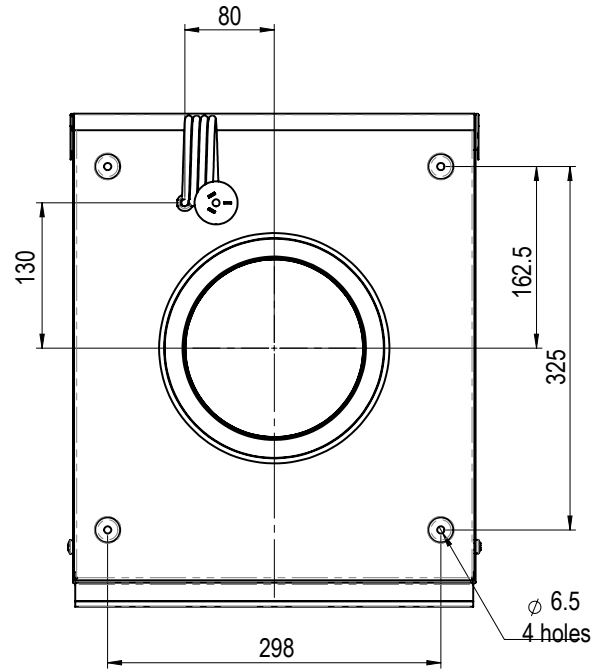
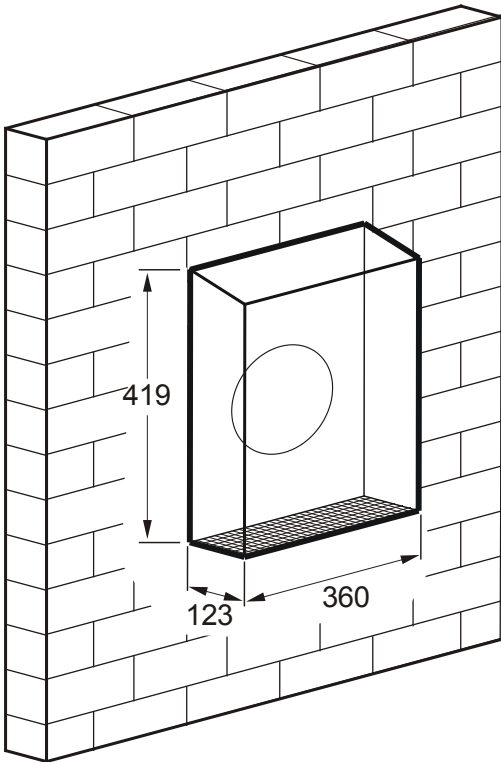
1. Installation of this product should be carried out by appropriately qualified persons.
2. This fan is designed for connection to 200 mm duct using duct tape or clamps.
3. Cut either a circular or square hole in the wall between 210-240 mm diameter/ square. Ensure a clean edge.
4. Check the fit of the duct (and clamp if used) in the cut hole. The duct must be positioned horizontally through the hole.
5. Fit the foam sealing tape supplied to rear of fan housing. Run tape around the outside of the four mounting holes and ensure the tape join is along the bottom of the housing for effective seal.
6. Remove cover from fan by un-doing the side fixing screws.
7. Position the fan on the wall with the airflow arrow pointing down.
8. Use fan for template to mark and drill holes for power cable and fastening screws.
9. Pull power cable through assigned hole and attach the flexi duct leading from the rangehood to the spigot using the supplied duct clamps.
10. Fix fan to wall with appropriate fastening screws.
11. Connect the male power plug to the female plug connected to the rangehood. An extension lead (purchased separately) can be used if necessary if the duct run has been extended.



Safety Considerations:

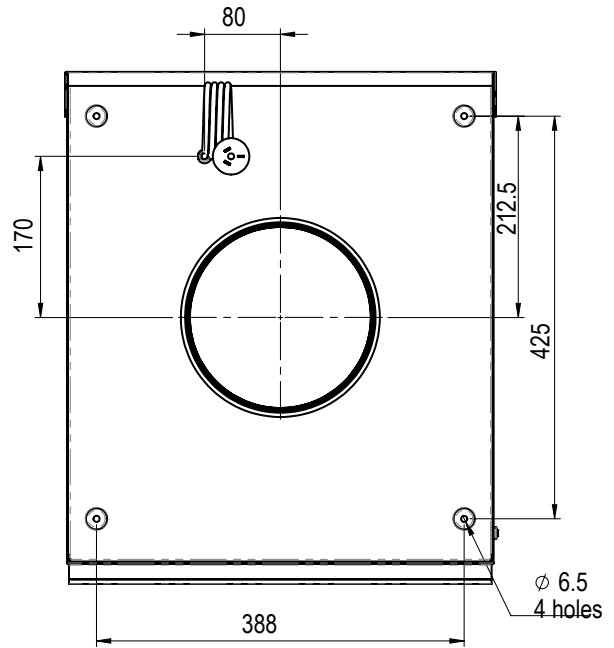
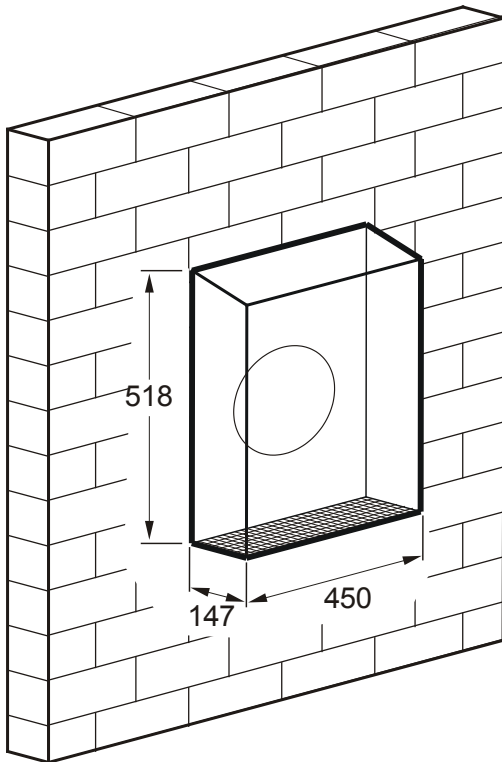
1. All connections must be in accordance with any local regulations.
2. Fans have automatic thermal cut out switches incorporated in the motor as standard.
3. This product is not intended for use by persons (including children) with reduced sensory or mental capabilities, or lack of experience and knowledge, unless they have been given supervision or instruction concerning use of the product by a person responsible for their safety. Children should be supervised to ensure that they do not play with the product.
4. For duct or partition mount, precautions must be taken to avoid the back-flow of gases into the room from the open flue of gas or other open-fire appliances.
5. If the supply cord is damaged it must be replaced by the manufacturer, its service agent or similarly qualified persons in order to avoid a hazard.

EW-765 / EW-1140 SPECIFICATIONS



All measurements in mm

EW-2010 SPECIFICATIONS



All measurements in mm

DESIGNER WARRANTY

All FALMEC Designer range hoods and remote motors come with a 3 year parts and labour warranty. PRKS will correct, free of charge, any defects in material or workmanship for the period of 3 years, subject to the terms of our warranty stated below.

This warranty will be void if a model from the designer series is used for outdoor or commercial purposes. Some examples of outdoor or commercial purposes but not limited to, include restaurants, cafés, schools, clubs, alfresco areas with open walls or hoods used above barbecues.

Rangehoods in the Designer range are designed and warranted "strictly" for indoor use only (household kitchen).

Please note: The benefits provided by this warranty are in addition to all other rights and remedies in respect to the product which the consumer has under the Australian competition and Consumer Act 2010.

1. This warranty only applies for products installed by a qualified person and when provided with a certificate of compliance in accordance with State/Territory laws.
2. This product must be used in accordance with the manufacturer's instructions. This warranty does not apply should the defect in or failure of the product be attributable to misuse, abuse, accident or non-observation of the manufacturer's instructions on the part of the user. FALMEC appliances does not accept liability for any direct or consequential loss, damage or other expense caused by or arising out of any failure to install or use the product in accordance with the manufacturer's instructions.
3. The warranty does not cover failures due to normal wear and tear with reasonable use or consumable components such as globes, filters, etc.
4. PRKS appliances, at its own discretion may replace or repair any defective component(s) to affect a repair due to any faulty workmanship and material. The warranty does not cover breakage of outer glass panels attributed to external damage.
5. The warranty provided is a "Repair Warranty" and in an extreme event if a repair cannot take place, a replacement will be provided of an equivalent current model where the balance of the warranty period from the original date of purchase will take effect.
6. This warranty is immediately void if the serial or model number label is removed, defaced, serviced or repaired by a unauthorised/unqualified person or used for industrial/commercial purposes.
7. Warranty will be only provided when a proof of the original purchase is presented to an authorised dealer or reseller before or at the time of service.
8. This warranty does not cover any corrosion or defect as a result of the product being installed in an environment in which the appliance is not protected from the weather.
9. It is the responsibility of the customer to ensure the appliance is easily accessible for a service technician to carry out required repairs. Any obstruction prohibiting access to the product by building materials of any kind will be required to be removed and reinstalled by the customer.
10. This warranty covers the first 50 km travelled by a repair technician to the appliance location and return.
Any travel in excess of 50 km each way is not covered by the warranty.

PRKS has a service network in all metropolitan areas and most regional areas. Where the warranty claim has been made outside a radius of 50 km from any store where the product can be purchased, the customer is responsible for the cost of delivery to the nearest service agent or the travel cost for a technician to travel to a location outside the 50 km radius

YOUR STATUTORY RIGHTS

FALMEC products fully assures all customers that our goods come with guarantees that cannot be excluded under the Australian Consumer Law. You are entitled to have the goods repaired or replaced if the goods fail to be of acceptable quality and the failure does not amount to a major failure. You are also entitled to a replacement or refund for a major failure and for compensation for any other reasonably foreseeable loss or damage.

The benefits under FALMEC's warranty are in addition to other rights you have at law in relation to the appliances or services to which the warranty relates.

PROFESSIONAL WARRANTY

FALMEC Professional series hoods are covered under the same 3 year parts and labour warranty as stated for the Designer series models and as such incorporates the same terms and conditions, benefits and statutory rights however the following provisions also apply:

OUTDOOR USE OF PROFESSIONAL RANGEHOODS

Outdoor BBQ models from the Falmec Professional series are warranted for use above barbecues and in alfresco areas with one open wall and a solid roof such as that they are not exposed to the elements.

Professional BBQ models MUST only have the specified 2010 m³/hr motor installed in conjunction with the hood.

In a the scenario where the hood is located near the ocean or exposed to salty air, regular care and cleaning of the hood is recommended to prevent any corrosion.

This warranty will be void if the outdoor models from the Falmec Professional series are used for commercial purposes. Some examples of commercial purposes but not limited to, include restaurants, cafés, schools, clubs.

PROFESSIONAL REMOTE MOTORS

In addition to the standard 3 years parts and labour warranty stated above the remote motors from the Professional series are covered for an additional 7 years as a parts only warranty therefore giving a total coverage of 10 years. This warranty is conditional by the following items.

- If installed in coastal applications the external housing must have a anti-corrosive coating applied. The internal fan may also require additional cleaning/washdown as a result of exposure to salt in the air.
- Fan must be installed in a position that it will not be subjected to excessive duct temperatures (40 ° covers all models)
- Filters must be in place within the rangehood and regularly maintained/cleaned/replaced as needed.

SUPPORT

At PRKS we place great importance on customer satisfaction and that is why we have established a dedicated and experienced customer support team that you can rely on.

Should you ever need to make a warranty related enquiry about your FALMEC product simply call 03 9700 9100 (Australia) or 09 964 0400 (New Zealand) to speak with our friendly customer service consultants. We suggest you have the following information close at hand to make the process as easy as possible:

1. Model number of your appliance
2. Serial number of your appliance
3. A copy of your original purchase receipt
4. Address details of where the appliance is installed

