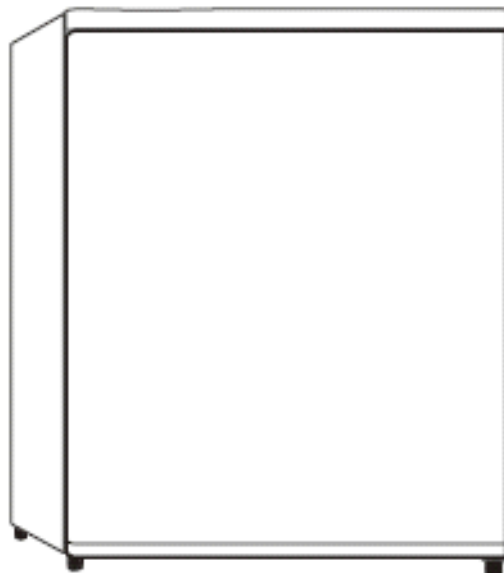




COMPACT ALL-REFRIGERATOR

Model No. FFAR22LW



Instruction Manual

**BEFORE USE, PLEASE READ AND FOLLOW ALL SAFETY RULES
AND OPERATING INSTRUCTIONS. KEEP THIS MANUAL IN A SECURE LOCATION.**

Write Serial Number (on back of unit) here:

Felix Storch, Inc.
770 Garrison Avenue
Bronx, New York 10474
www.summitappliance.com

TABLE OF CONTENTS

Technical Information	1
Important Safeguards	2 - 3
Location of Parts	4
Installation	4 - 5
<i>Placement</i>	4 - 5
<i>Electrical Connection</i>	5
<i>Before the First Use</i>	5
Operation	6 - 7
<i>Temperature Adjustment</i>	6
<i>Defrosting</i>	6
<i>Food Storage</i>	6
<i>Normal Phenomena</i>	6 - 7
Cleaning and Maintenance	7 - 9
<i>Cleaning Your Refrigerator</i>	7
<i>Vacation Time</i>	7
<i>Moving Your Refrigerator</i>	7
<i>Energy-Saving Tips</i>	8
<i>Locking the Refrigerator</i>	8
<i>Reversing the Door Swing of Your Refrigerator</i>	9
Troubleshooting	10
Limited Warranty	11

TECHNICAL INFORMATION

Model Number:	FFAR22LW
Capacity:	1.66 cubic feet
Electrical Rating:	115V AC / 60Hz / 1.2A
Input Power:	85 watts
Energy Consumption:	316 kWh/year
Refrigerant:	R134a, 1.94 oz
Weight:	35.3 lbs
Unit Dimensions:	17.3"W x 19.3"D x 20.7"H



IMPORTANT SAFEGUARDS



Before the refrigerator is used, it must be properly positioned and installed as described in this manual, so read the manual carefully. To reduce the risk of fire, electrical shock or injury when using the refrigerator, follow basic precautions, including the following:

DANGER

- Plug into a grounded 3-prong outlet, do not remove grounding prong, do not use an adapter, and do not use an extension cord.
- It is recommended that a separate circuit, serving only your refrigerator be provided. Use receptacles that cannot be turned off by a switch or pull chain.
- If the power cord is damaged, it must be replaced by the manufacturer, its service agent or a similarly-qualified person in order to avoid an electrical hazard.
- The power supply to the refrigerator must match the indicated power supply on the nameplate. Otherwise the refrigerator will be damaged and the manufacturer's warranty will be invalidated.
- Do not place or use anything flammable, such as gasoline, gas cylinders, solvent-based cleaning fluids, near the refrigerator due to the risk of fire. Substances with a high percentage of alcohol must be stored in tightly sealed bottles or other containers and should always be placed in an upright position.
- Do not locate the refrigerator in a damp or wet environment or in a position where it is likely to get splashed. Such an environment would weaken the electrical insulation or expose live wires, possibly causing an electric shock or fire.
- The refrigerator must be disconnected from its power source if it stops working or when it is being cleaned or repaired.
- To remove the plug from the socket, grasp the plug firmly and pull it out. Do not pull on the cable. Do not connect the machine to electrical outlets while your hands are wet or damp.
- If a gas leak is discovered in the same room as the refrigerator, turn off the gas supply. Do not open the refrigerator door and do not remove the plug from the main electrical supply. A small spark resulting from such actions could cause a gas explosion. Open all of the doors and windows in the room to disperse the gas.
- **Risk of child entrapment!**
Child entrapment and suffocation are not problems of the past. Junked or abandoned refrigerators are still dangerous, even if they will "just sit in the garage a few days."
 - √ **Before you throw away your old refrigerator:** Take off the doors. Leave the shelves in place so that children may not easily climb inside.
 - √ Never allow children to operate, play with, or crawl inside the refrigerator.

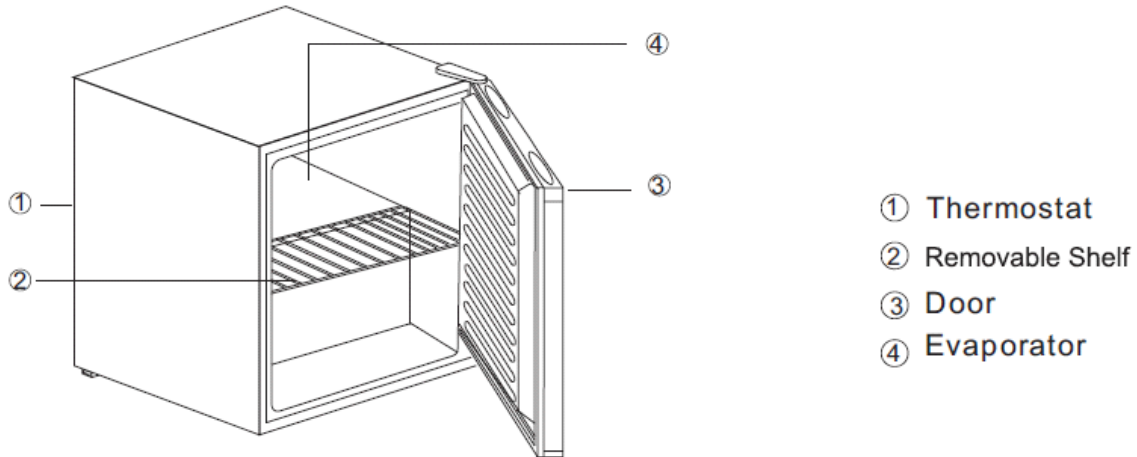


WARNING

- **This unit is not designed to operate in enclosed spaces. When placing your unit, make sure you allow at least 4” of clearance on all sides.**
- Use two or more people to move and install refrigerator. Failure to do so can result in back or other injury.
- To ensure proper ventilation for your refrigerator, the front of the unit must be completely unobstructed. Choose a well-ventilated area with temperatures above 60°F (16°C) and below 90°F (32°C). This unit must be installed in an area protected from the elements, such as wind, rain, water spray or drips, and away from direct sunlight.
- The refrigerator should not be located next to ovens, grills or other sources of high heat.
- The refrigerator must be installed with its electrical connection in accordance with state and local codes. A standard electrical supply (115 V AC only, 60 Hz), properly grounded in accordance with the National Electrical Code and local codes and ordinances is required.
- Do not kink, pinch or coil the power supply cord of the refrigerator. Keep cord away from the compressor at the back of the appliance; heat from the compressor could damage the insulation of the cord and cause electrical leakage.
- The fuse (or circuit breaker) size should be 15 amperes.
- It is important for the refrigerator to be leveled in order to work properly. You may need to make several adjustments to level it.
- In order to ensure normal operation of the refrigerator, after moving it a considerable distance, you must wait for ½ to 1 hour before turning the unit on.
- After an electrical failure, wait at least 5 minutes before turning on the refrigerator again or the compressor may be damaged.
- This appliance is not intended for use by persons (including children) with reduced physical, sensory or mental capabilities, or lack of experience and knowledge, unless they have been given supervision or instruction concerning use of the appliance by a person responsible for their safety.
- **IMPORTANT:** Do not use mechanical devices or other means to accelerate the defrosting process, other than those recommended by the manufacturer.
- **IMPORTANT:** Do not damage the refrigerant circuit.
- **IMPORTANT:** Do not use electrical appliances inside the food storage compartment of the appliance, unless they are of the type recommended by the manufacturer.
- Do not use solvent-based cleaning agents or abrasives on the interior. These cleaners may damage or discolor the interior.
- Do not use this apparatus for other than its intended purpose.

SAVE THESE INSTRUCTIONS

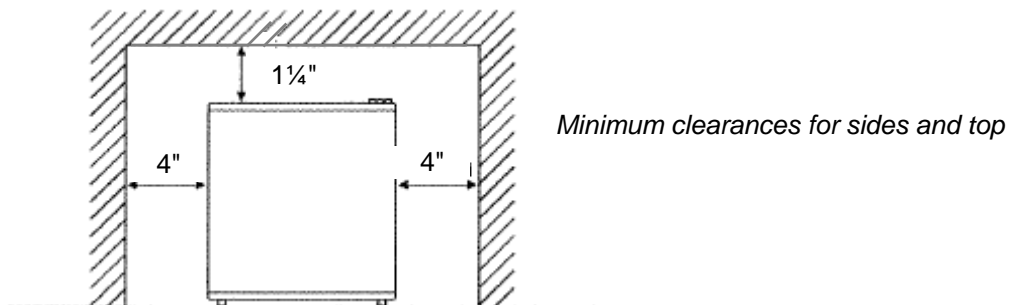
LOCATION OF PARTS



INSTALLATION

PLACEMENT

- The refrigerator should not be placed in direct sunlight or close to heat sources such as oven, grill, radiator, etc. Also avoid locations where the unit will be exposed to moisture or can be easily splashed.
- Place the unit on a firm flat surface. An uneven floor will cause vibration and noise. Adjust leveling legs in front until refrigerator is level.
- Good ventilation around the refrigerator allows heat to escape smoothly, improving cooling efficiency and saving energy. To maintain high operating efficiency, do not place anything on top of the refrigerator.
- Allow at least 4 inches of space at the back and sides of the refrigerator, which allows the proper air circulation to cool the compressor. This improves cooling efficiency and saves energy. Leave at least 1¼" of space above the refrigerator.



- Position the appliance in such a way that the plug is accessible
- After plugging the appliance into a wall outlet, allow the unit to cool down for 2-3 hours before placing food into the refrigerator.

When installing the unit on a table or countertop, keep the following in mind:

- Surface (countertop) is flat, level, and strong enough to support the unit once it is fully loaded.
- Surface is wide enough to accommodate the unit without any overhang.
- Surface is deep enough to accommodate the unit when the door is opened to 90°.

ELECTRICAL CONNECTION

⚡ Warning ⚡

Improper use of the grounded plug can result in the risk of electrical shock. If the power cord is damaged, have it replaced by an authorized service center.

- Plug the refrigerator into an exclusive, properly installed, grounded wall outlet. Do not under any circumstances cut or remove the third (ground) prong from the power cord. Any questions concerning power and/or grounding should be directed toward a certified electrician or an authorized service center.
- This refrigerator should be properly grounded for your safety. The power cord of this refrigerator is equipped with a three-prong plug that mates with standard three-prong wall outlets to minimize the possibility of electrical shock.
- This refrigerator requires a standard 115/120-volt, 60Hz electrical outlet with three-prong ground.
- To prevent accidental injury, the cord should be secured behind the refrigerator and not left exposed or dangling.
- Never unplug the refrigerator by pulling on the power cord. Always grip the plug firmly and pull straight out from the receptacle.
- The use of an extension cord is strongly discouraged.

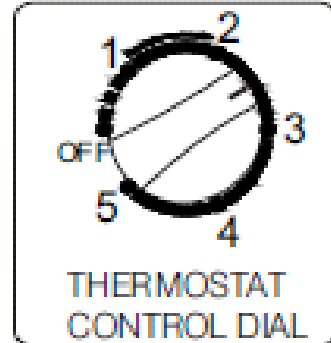
BEFORE THE FIRST USE

- All the accessories have been installed. Remove all packing materials and tape.
- Clean the interior surface with lukewarm water using a soft cloth. Any plastic odor that you notice when you first open the door will dissipate once the appliance is operating.
- Put food into refrigerator after the cabinet temperature has had time to reach its lowest point. For initial operation, it will be about 3 hours.

OPERATION

TEMPERATURE ADJUSTMENT

- The cabinet temperature is controlled by the thermostat located at the back of the unit in the lower left corner. Rotate the dial to adjust the cabinet temperature.
- The setting **OFF** indicates that the device is turned off.
- Turning the temperature control clockwise from this setting turns the device on automatically.
- The settings **1** through **5** regulate the inside temperature. Setting **1** (MIN) results in the warmest inside temperature, while setting **5** (MAX) results in the coldest inside temperature.
- During initial operation, turn the temperature control to the highest setting first, until the device has reached the desired operating temperature. Afterwards, turn the control back to a medium setting.
- The optimum position of the temperature control depends on the temperature you prefer. Cabinet temperature is affected by the ambient temperature, frequency of door opening, the amount of stored food and the placement of the refrigerator. You should adjust the control according to current conditions.
- Generally, the temperature control is set at the midpoint of the dial. When room temperature is lower than usual, place the dial at a lower setting. Conversely, if the room temperature is higher than normal, adjust the thermostat to a higher setting.



DEFROSTING

This appliance requires no manual defrosting. During the operation of the compressor, ice will build up along the cold rear wall (the evaporator plate is behind the wall). During the compressor's off-cycle, the ice will melt, drip down, and collect in a tray above the compressor, where the compressor's heat evaporates the water. If you notice excessive ice build-up on the rear wall, try setting the temperature slightly higher (i.e., a lower setting of the thermostat). Also, be sure that the door gasket is sealing well.

FOOD STORAGE

- Hot food should not be stored until it has completely cooled.
- In order to allow air to circulate, when placing food in the refrigerator, allow proper spacing between food items. To prevent drying out and to keep odors from mixing, pack stored food carefully.

NORMAL PHENOMENA

- It is normal that both side panels and the top of the refrigerator be warm because of the built-in condenser.
- There may be condensation on the surface of the appliance when it is placed in an

- Occasionally the sound of a gurgling liquid can be heard. This is the refrigerant flowing through the condensing tubes. The sound can also be heard when the refrigerator stops working.

CLEANING AND MAINTENANCE

CLEANING YOUR REFRIGERATOR

- Turn the temperature control to **OFF**, unplug the refrigerator, and remove the food, shelf and any trays.
- Wash the inside surfaces with a solution of a warm water and baking soda. The solution should consist of about 2 tablespoons of baking soda to a quart of water. If you use a spray bottle, do not spray in the area of the temperature control, vents or any electrical connections.
- Clean the door gasket with a soft cloth dampened in warm water or mild detergent solution.
- Wash the shelf and trays with a mild detergent solution.
- The outside of the refrigerator should be cleaned with mild detergent and warm water. Rinse well and wipe dry with a clean, soft cloth.
- Wring excess water out of the sponge or cloth when cleaning the area of the controls, or any electrical parts.
- Dust on the compressor and condensing coils (at the back of the appliance) will affect the diffusion of heat. Clean them periodically with a soft brush or dusting utensil.

VACATION TIME

- **Short vacations:** Leave the refrigerator operating during vacations of less than three weeks.
- **Long vacations:** If the appliance will not be used for several months, remove all food and unplug the power cord. Clean and dry the interior thoroughly. To prevent odor and mold growth, leave the door open slightly, blocking it open if necessary.

MOVING YOUR REFRIGERATOR

1. Remove all the food.
2. Securely tape down all loose items inside your refrigerator.
3. Tape the door shut.
4. Be sure the refrigerator stays secure in the upright position during transportation. Do not lay it on its side or even incline it more than 45°. Protect the outside of the refrigerator with a blanket or similar item.

ENERGY-SAVING TIPS

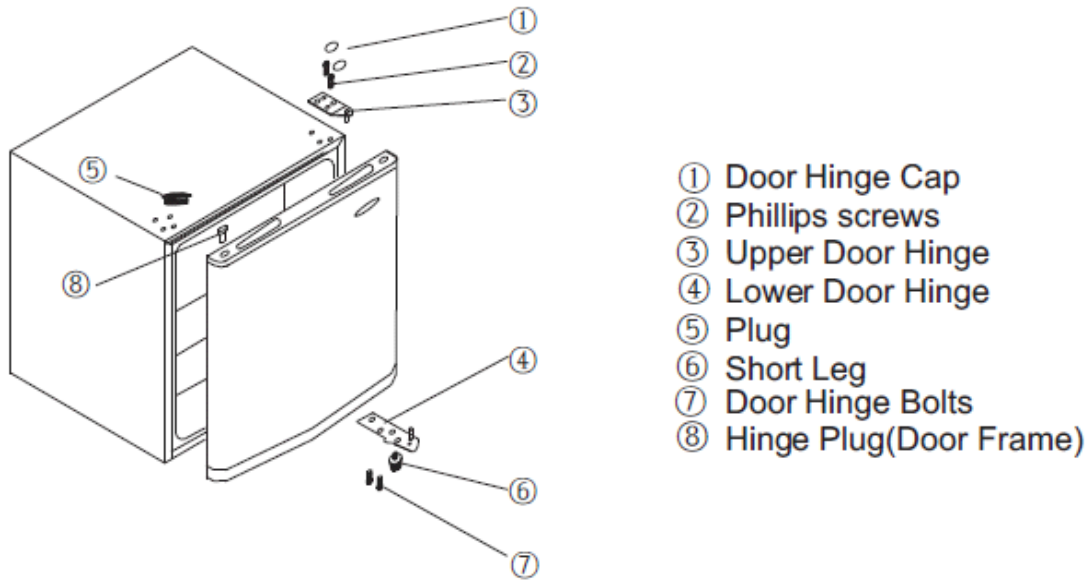
- The refrigerator should be located in the coolest area of the room, away from heat-producing appliances and out of direct sunlight.
- Let hot foods cool to room temperature before placing in the refrigerator. Overloading the refrigerator forces the compressor to run longer.
- Be sure to wrap foods properly, and wipe containers dry before placing them in the refrigerator. This cuts down on frost build-up inside the refrigerator.
- To allow proper air circulation, keep a space between stored foodstuffs. To inhibit drying and to cut down on odors, be sure food is packed well.
- Refrigerator shelves should not be lined with aluminum foil, wax paper, or paper toweling. Liners interfere with cold air circulation, making the refrigerator less efficient.
- Organize and label food to reduce door openings and extended searches. Remove as many items as needed at one time, and close the door as soon as possible.

LOCKING THE REFRIGERATOR

Your refrigerator comes with two keys and a lock at the bottom center of the door. Turn the key a quarter-turn to the left to lock the door, and a quarter-turn to the right to unlock it. Keep keys in a secure place.

REVERSING THE DOOR SWING OF YOUR REFRIGERATOR

This appliance has the capability of the door opening from either the left or the right side. The unit is delivered to you with the door opening from the left side. Should you desire to reverse the opening direction, follow the diagram and directions below. If you have a problem, call SUMMIT Customer Service at **1-800-932-4267**.



NOTE: All parts removed must be saved for reinstalling the door.

1. Remove the upper door hinge cap (1).
2. Using a sharp object, pry out the plug buttons (5).
3. Remove the two Phillips screws (2) that connect the upper door hinge (3) on the right side of the cabinet top.
4. Carefully lift the door and place it on a padded surface to prevent it from being scratched.
5. Remove the hinge plug (8) and transfer it to the uncovered hole on the right side. Be sure to press the button firmly into the hole.
6. Remove the two door hinge bolts (7) that hold the lower door hinge (4) on the right side.
7. Remove the screw-type leveling door hinge bolts (7) and transfer them to the right side as shown in the figure.
8. Set the door into its new position, making sure the pin enters the bushing (hole) on the lower section of the door frame.
9. Secure the upper door hinge (3) previously removed in step 3 on the left side. Make sure the pin enters the bushing (hole) on the upper section of the door frame.
10. Loosely secure the lower door hinge (4) and do not tighten the bolts until the door is in the closed position and leveled.
11. Insert the plug buttons (5) into the uncovered holes (right side).
12. Replace the upper hinge cap (1).

TROUBLESHOOTING

You can solve many refrigerator problems easily, saving you the cost of a possible service call. Try the suggestions below to see if you can solve the problem before calling a service technician.

Problem	Possible Cause
Refrigerator does not operate.	Unit is not plugged in, or there is a power failure. The circuit breaker has tripped or fuse has blown. The temperature control is turned off.
Turns on and off frequently.	The room temperature is warmer than normal. A large amount of food has been added to the refrigerator. The door is opened too often. The door is not closed completely. The temperature control is not set correctly. The door gasket does not seal properly. The refrigerator does not have the correct clearances.
Refrigerator gets too cold.	The temperature control dial may be set too high.
Refrigerator is not cooling sufficiently.	Temperature control may be improperly set. Food may be packed too tightly together, blocking the flow of cool air. Warm food, or an excessive quantity of food, has been put into the refrigerator. The door may not have closed properly, or door gasket may be damaged. There may be insufficient air space around the unit, or air vents may be blocked.
Vibrations	Check to be sure that the refrigerator is level.
The refrigerator seems to make too much noise.	The rattling noise may come from the flow of the refrigerant, which is normal. As each cycle ends, you may hear gurgling sounds caused by the flow of refrigerant in your refrigerator. Contraction and expansion of the inside walls may cause popping and crackling noises. The refrigerator is not level.
The door will not close properly.	The refrigerator is not level. The door was reversed and not properly re-installed. The gasket is dirty. The shelf is out of position.
Water collects on the floor of the cabinet.	The drain hole at the back of the cabinet floor may be clogged. Clear it with a pipe cleaner or straw.
The side panels feel warm.	The door has been opened and closed frequently. The unit is operating in a high ambient temperature. Under these conditions, side-panel heating is normal; heat is being dissipated from inside the cabinet.

If your refrigerator shows other symptoms than those described above, or if you have checked all items listed as the cause and the problem still exists, then call SUMMIT® Customer Service at

1-800-932-4267

LIMITED WARRANTY

ONE-YEAR LIMITED WARRANTY

Within the 48 contiguous United States, for one year from the date of purchase, when this appliance is operated and maintained according to instructions attached to or furnished with the product, warrantor will pay for factory-specified parts and repair labor to correct defects in materials or workmanship. Service must be provided by a designated service company. Outside the 48 states, all parts are warranted for one year from manufacturing defects. Plastic parts, shelves and cabinets are warranted to be manufactured to commercially acceptable standards, and are not covered from damage during handling or breakage.

5-YEARS COMPRESSOR WARRANTY

1. The compressor is covered for 5 years.
2. Replacement does not include labor.

ITEMS WARRANTOR WILL NOT PAY FOR:

1. Service calls to correct the installation of your appliance, to instruct you how to use your appliance, to replace or repair fuses or to correct wiring or plumbing.
2. Service calls to repair or replace appliance light bulbs or broken shelves. Consumable parts (such as filters) are excluded from warranty coverage.
3. Damage resulting from accident, alteration, misuse, abuse, fire, flood, acts of God, improper installation, installation not in accordance with electrical or plumbing codes, or use of products not approved by warrantor.
4. Replacement parts or repair labor costs for units operated outside the United States.
5. Repairs to parts or systems resulting from unauthorized modifications made to the appliance.
6. Expenses for travel and transportation for product service in remote locations.
7. The removal and reinstallation of your appliance if it is installed in an inaccessible location or is not installed in accordance with published installation instructions.

DISCLAIMER OF IMPLIED WARRANTIES - LIMITATION OF REMEDIES

CUSTOMER'S SOLE AND EXCLUSIVE REMEDY UNDER THIS LIMITED WARRANTY SHALL BE PRODUCT REPAIR AS PROVIDED HEREIN. IMPLIED WARRANTIES, INCLUDING WARRANTIES OF MERCHANTABILITY OR FITNESS FOR A PARTICULAR PURPOSE, ARE LIMITED TO ONE YEAR. WARRANTOR SHALL NOT BE LIABLE FOR INCIDENTAL OR CONSEQUENTIAL DAMAGES. SOME STATES DO NOT ALLOW THE EXCLUSION OR LIMITATION OF INCIDENTAL OR CONSEQUENTIAL DAMAGES, OR LIMITATIONS ON THE DURATION OF IMPLIED WARRANTIES OF MERCHANTABILITY OR FITNESS, SO THESE EXCLUSIONS OR LIMITATIONS MAY NOT APPLY TO YOU. THIS WARRANTY GIVES YOU SPECIFIC LEGAL RIGHTS AND YOU MAY ALSO HAVE OTHER RIGHTS, WHICH VARY FROM STATE TO STATE.

WARNING! This product may contain chemicals known to the state of California to cause cancer or birth defects or other reproductive harm. For more information, visit: www.summitappliance.com/prop65

Chemicals known by the manufacturer to be present in this product in concentrations higher than threshold limits: NONE.

FELIX STORCH, INC.
770 Garrison Avenue
Bronx, NY 10474
Phone: (718) 893-3900
Fax: (718) 842-3093
www.summitappliance.com

SUMMIT

For parts and accessory ordering,
troubleshooting and helpful hints, visit:
www.summitappliance.com/support

