

**Blomberg®**

seit 1883

# Over The Range Convection

## Microwave Oven

User Manual



BOTR30200CSS

ENIFR



# Please read this manual first!

Dear Customers!

Thank you for preferring a Blomberg product. We hope that you get the best results from your product which has been manufactured with high quality and state-of-the-art technology. Therefore, please read this entire user manual and all other accompanying documents carefully before using the product and keep it as a reference for future use. If you handover the product to someone else, give the user manual as well. Follow all warnings and information in the user manual.

## Meanings of the Symbols

Following symbols are used in the various section of this manual:



Important information and useful hints about usage.



**WARNING:** Warnings for dangerous situations concerning the safety of life and property.



Warning for electric shock.



Warning for hot surfaces.



This product has been manufactured in environmental friendly modern plants without giving any harm to the nature.

# CONTENTS

## 1 Important safety and environmental instructions 4

1.1 General safety .....	4
1.2 Intended use .....	8
1.3 Children's safety .....	9
1.4 Compliance with the WEEE Directive and disposal of waste products .....	10
1.5 Package information .....	10

## 2 Your over the range convection microwave oven 11

2.1 Overview .....	11
2.2 Technical data .....	11

## 3 Operation 12

3.1 Control panel .....	12
3.2 Before operating .....	13
3.3 Manual cooking .....	15
3.3.1 Setting the clock .....	15
3.3.2 Setting the timer .....	15
3.3.3 Control Lock .....	15
3.3.4 Using the Stop/Cancel key .....	15
3.3.5 Using the Start/+ 30 sec. key .....	15
3.3.6 Heating with multiple cooking stages .....	15
3.3.7 Heating with lower power levels .....	16
3.3.8 Suggested power levels for cooking .....	16
3.3.9 Heating with multiple cooking stages .....	17
3.3.10 Suggestions for getting the best results .....	18
3.3.11 Using Ready Set .....	18
3.3.12 Exhaust High / Low / Off .....	19
3.3.13 Surface Light / On / Off .....	19
3.3.14 Setting Defrost by Weight .....	19
3.3.15 Setting Defrost by Time .....	19
3.3.16 Special notes for defrosting by time .....	19
3.3.17 Defrosting tips .....	19
3.3.18 Defrosting suggestions for meats .....	20
3.3.19 Reheat .....	21
3.3.20 Convection cooking .....	22
3.3.21 Combination cooking .....	22
3.3.22 Microwave+convection combination cooking .....	22
3.3.23 Convection baking .....	23

3.3.24 Combination cooking .....	24
3.3.25 Cookware tips .....	25
3.4 Auto cooking .....	28
3.5 Cooking charts .....	29
3.5.1 Cooking meat in your microwave .....	29
3.5.2 Cooking poultry in your microwave .....	30
3.5.3 Cooking eggs in your microwave .....	30
3.5.4 Cooking vegetables in your microwave .....	30
3.5.5 Cooking seafood in your microwave .....	31
3.6 Demonstration Mode .....	31

## 4 Cleaning and care 32

4.1 Cleaning the exhaust filters .....	32
4.2 Surface light replacement .....	32
4.3 Charcoal filter replacement .....	33
4.4 Oven light replacement .....	33
4.5 Cleaning suggestions .....	34
4.6 How to Clean the Inside .....	34
4.7 How to Clean the Outside .....	35

## 5 Maintenance 36

5.1 Troubleshooting .....	36
---------------------------	----

## 6 Guarantee and Service 37

## Important Safety Instructions Read Carefully And Keep For Future Reference

This section contains safety instructions that will help protect from risk of fire, electric shock, exposure to leak microwave energy, personal injury or property damage. Failure to follow these instructions shall void any warranty.

### 1.1 General safety

- The microwave oven is intended for heating food and beverages. Drying of food or clothing and heating of warming pads, slippers, sponges, damp cloth and similar may lead to risk of injury, ignition or fire.

This appliance is intended to be used in household and similar applications such as:

- Staff kitchen areas in shops, offices and other working environments;
- Farm houses
- By clients in hotels, motels and other residential type environments;
- Bed and Breakfast type environments.

- Do not attempt to start the oven when its door is open; otherwise you may be exposed to harmful microwave energy. Safety locks should not be disabled or tampered with.
- Do not place any object between the front side and the door of the oven. Do not allow dirt or cleaning agent remnants built-up on the closure surfaces.
- Any service works involving removal of the cover that provides protection against exposure to microwave energy must be performed by authorized persons/service. Any other approach is dangerous.
- Your product is intended for cooking, heating and defrost food at home. It must not be used for commercial purposes. Manufacturer shall not be held liable for damages that have arisen from misuse.
- Do not use this appliance outdoors, bathrooms, humid environments or in places where the it can get wet.
- No responsibility or warranty claim shall be assumed for damages arising from misuse or improper handling of the appliance.

# 1 Important safety and environmental instructions

- Never attempt to dismantle the appliance. No warranty claims are accepted for damage caused by improper handling.
- Only use the original parts or parts recommended by the manufacturer.
- Do not leave this appliance unattended while it is in use.
- Always use the appliance on a stable, flat, clean dry, and non-slip surface.
- The appliance should not be operated with an external clock timer or separate remote control system.
- Before using the appliance for the first time, clean all parts. Please see the details given in the "Cleaning and Maintenance" section.
- Operate the appliance for its intended purpose only as described in this manual. Do not use abrasive chemicals or steam on this appliance. This oven is particularly intended for heating and cooking the food.  
It is not intended for industrial or laboratory use.
- Do not use your appliance to dry clothes or kitchen towels.
- Appliance becomes very hot while it is in use. Pay attention not to touch the hot parts inside the oven.
- Your oven is not designed to dry any living being.
- Do not operate the oven empty.
- Only use utensils that are suitable for use in microwave ovens.
- Cooking utensil may get hot due to the heat transferred from the heated food to the utensil. You may need oven gloves to hold the utensil.
- Utensils shall be checked to ensure that they are suitable for use in microwave ovens.
- Do not place the oven on stoves or other heat generating appliances. Otherwise, it may be damaged and the warranty becomes void.
- Microwave oven must not be placed in a cabinet that is not in compliance with the installation instructions.
- Steam may come out while opening the covers or the foil after cooking the food.
- Use gloves while taking any kind of heated food out.

# 1

## Important safety and environmental instructions

- The appliance and its accessible surfaces may be very hot when the appliance is in use.
- Door and outer glass may be very hot when the appliance is in use.
- Use the appliance with a grounded outlet only.
- Never use the appliance if the power cable or the appliance itself is damaged.

### 1.1.1 Electrical safety

- If the supply cord is damaged, it must be replaced by the manufacturer or its service agent or a similarly qualified person in order to avoid a hazard.
- Blomberg Microwave Ovens comply with the applicable safety standards; therefore, in case of any damage on the appliance or power cable, it should be repaired or replaced by the dealer, service center or a specialist and authorized service alike to avoid any danger. Faulty or unqualified repair work may be dangerous and cause risk to the user.
- Make sure that your mains power supply complies with the information supplied on the rating plate of the appliance.

The only way to disconnect the appliance from the power supply is to remove the power plug from the power outlet.
- Do not use this appliance with an extension cord.
- Never touch the appliance or its plug with damp or wet hands.
- Place the appliance in a way so that the plug is always accessible.
- Prevent damage to the power cable by not squeezing, bending, or rubbing it on sharp edges. Keep the power cable away from hot surfaces and naked flame.
- Make sure that there is no danger that the power cable could be accidentally pulled or that someone could trip over it when the appliance is in use.
- Unplug the appliance before each cleaning and when the appliance is not in use.
- Do not pull the power cable of the appliance to disconnect it from its power supply and never wrap its power cable around the appliance.
- Do not immerse the appliance, power cable, or power plug in water or any other liquids. Do not hold it under running water.

# 1 Important safety and environmental instructions

- When heating food in plastic or paper containers, keep an eye on the oven due to the possibility of ignition.
- Remove the wire strings and/or metal handles of paper or plastic bags before placing bags suitable for use in microwave oven to the oven.
- If smoke is observed, switch off or unplug the appliance and keep the door closed in order to stifle any flames.
- Do not use inside of the oven to store something. Do not leave paper items, cooking material or food inside the oven when it is not being used.
- The contents of feeding bottles and baby food jars shall be stirred or shaken and the temperature shall be checked before consumption, in order to avoid burns.
- This appliance is a Group 2 Class B ISM equipment. Group 2 contains all ISM (Industrial, Scientific and Medical) equipment in which radio-frequency energy is intentionally generated and/or used in the form of electromagnetic radiation for the treatment of material, and spark erosion equipment.
- Class B equipment is suitable for use in domestic establishments and establishments directly connected to a low voltage power supply network.
- Door or outer surface of the appliance may become hot when it is in use.

## 1.1.2 Product safety

- Heating the beverages with microwave may cause them to boil by splashing around after they have been taken out of the oven; so be careful when you are holding the containers.
- Do not roast anything in the oven. Hot oil may damage the components and materials of the oven, and it may even cause skin burns.
- Pierce food with thick crust such as potatoes, zucchinis, apples and chestnuts.
- Appliance must be placed so that the rear side is facing the wall.
- Before moving the appliance, please secure the turntable to prevent damage to it.

# 1

## Important safety and environmental instructions

- Eggs in their shell and whole hard-boiled eggs must not be heated in microwave ovens since they may explode, even after microwave heating has ended.
- Never remove the parts at the rear and sides of the appliance, which protect the minimum distances between the cabinet walls and the appliance in order to allow for the required air circulation.
- **WARNING:** It is hazardous for anyone other than a competent person to carry out any service or repair operation which involves the removal of a cover which gives protection against exposure to microwave energy.
- **WARNING:** Liquids and other foods must not be heated in sealed containers since they are liable to explode.

### 1.2 Intended use

- Failure to maintain the oven in a clean condition could lead to deterioration of the surface that could adversely affect the life of the appliance and possibly result in a hazardous situation.
- Cleaning the door seals and adjacent parts: Use hot soapy water. Clean with a dish cloth, do not scour. Do not use a metal or glass scraper for cleaning.
- **WARNING:** If the door or door seals are damaged, the oven must not be operated until it has been repaired by a competent person.
- The oven should be cleaned regularly and any food deposits removed.
- There should be min 20cm free space above the top surface of the oven.
- Do not use the appliance for anything other than its intended use.
- Do not use the appliance as a heat source.
- Microwave oven is intended to thaw, cook and stew food only.
- Do not over-cook foods; otherwise, you may cause a fire.
- Do not use steam assisted cleaners to clean the appliance.

# 1 Important safety and environmental instructions

## 1.3 Children's safety

- Extreme caution is advised when being used near children and persons who are restricted in their physical, sensory or mental abilities.
- This appliance can be used by the children who are at the age of 8 or over and by the people who have limited physical, sensory or mental capacity or who do not have knowledge and experience, as long as they are supervised with regard to safe use of the product or they are instructed accordingly or understand the risks of using the product. Children should not play with the appliance. Cleaning and user maintenance procedures should not be performed by children unless they are controlled by their elders.
- Danger of choking! Keep all the packaging materials away from children.
- Only allow children to use the oven without supervision when adequate instructions have been given so that the child is able to use the microwave oven in a safe way and understands the hazards of improper use.
- Due to excessive heat that arises in grill and combination modes, children should only be allowed to use these modes under supervision of an adult.
- Keep the product and its power cable so that they are inaccessible by children under 8 years old.
- The appliance and its accessible surfaces may be very hot when the appliance is in use. Keep children away.
- The appliance is not intended for use by persons (including children) with reduced physical, sensory or mental capabilities, or lack of experience and knowledge, unless they have been given supervised or instruction concerning use of the appliance by a responsible person for their safety.
- Young children should be supervised to ensure that they do not play with the appliance.
- **WARNING:** Only allow children to use the oven without supervision when adequate instructions have been given so that the child is able to use the oven in a safe way and understands the hazards of improper use.

# 1

## Important safety and environmental instructions

### 1.4 Compliance with the WEEE Directive and disposal of waste products



This product does not include harmful and prohibited materials specified in the "Regulation for Supervision of the Waste Electric and Electronic Appliances" issued by the Ministry of Environment and Urban Planning. Complies with the WEEE Directive. This product has been manufactured with high quality parts and materials which can be reused and are suitable for recycling.

Therefore, do not dispose the product with normal domestic waste at the end of its service life. Take it to a collection point for the recycling of electrical and electronic equipment. Ask the local authority in your area for these collection points. Help protect the environment and natural resources by recycling used products.

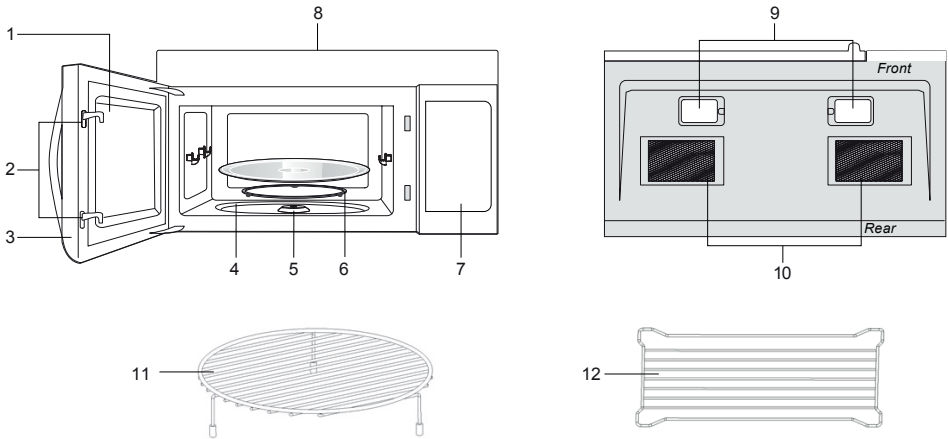
### 1.5 Package information



Package of the product is made of recyclable materials in accordance with our National Legislation. Do not dispose of the packaging materials together with the domestic or other wastes. Take them to the packaging material collection points designated by the local authorities.

## 2 Your over the range convection microwave oven

### 2.1 Overview



1. Window
2. Interlock system
3. Door assembly
4. Turntable ring assembly
5. Turntable Shaft
6. Turntable glass tray
7. Control panel
8. Ventilation openings (on top)
9. Surface lights
10. Ventilation filters
11. Wire rack (use in convection and combination cooking on the removable turntable)
12. Shelf (use in microwave cooking)

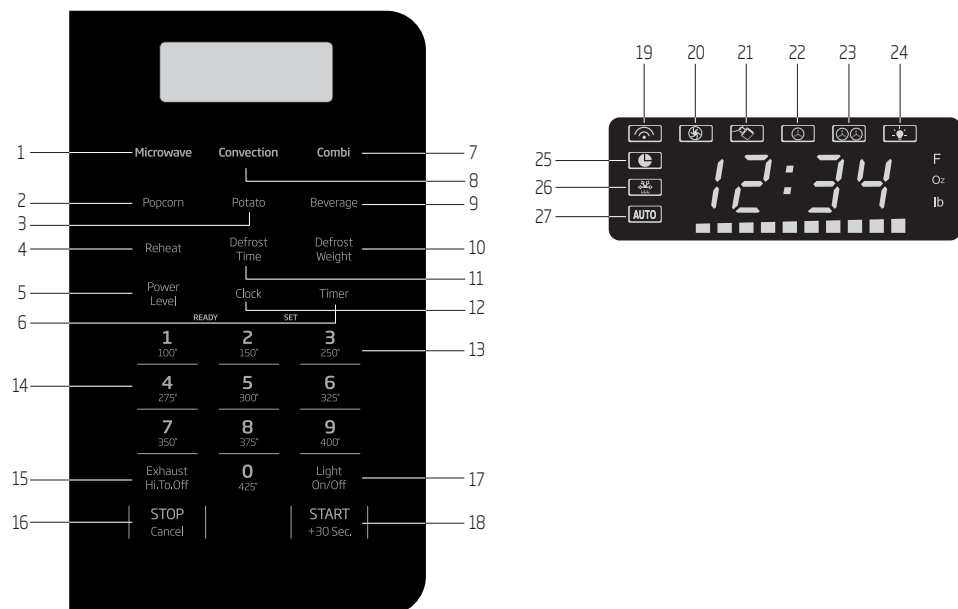
### 2.2 Technical data

<b>Rated Voltage</b>	120V~ 60Hz
<b>Rated Input Power (Microwave)</b>	1500 W
<b>Rated Output Power (Microwave)</b>	900 W
<b>Rated Output Power(Convection)</b>	1450 W
<b>Oven Capacity</b>	1.5 Cu.ft. (42 L)
<b>Turntable Diameter</b>	Ø13.6 inch (345 mm)
<b>External Dimensions</b>	29.9 X15.7 X15.0 inch
<b>Net weight</b>	Approx. 66.4 Lbs (30.1 kg)

Markings on the product or the values stated in other documents supplied with the product are values obtained under laboratory conditions as per relevant standards. These values may vary according to the usage of the appliance and ambient conditions. Power values are tested at 230V.

## 3 Operation

### 3.1 Control panel



1. Microwave (P17)
2. Popcorn (P22)
3. Potato (1-4 potatoes) (P22)
4. Reheat (3 different setting) (P16)
5. Power Level (10 power levels available) (P12)
6. Timer (P11)
7. Combination (P13)
8. Convection (P17)
9. Beverage (P22)
10. Defrost weight (P14)
11. Defrost Timer (P14)
12. Clock (P11)
13. Easy Set (3 instant key settings) (P14)
14. Numeric pads (0 thru 9)
15. Exhaust (High/Low/Off) ~ Use to turn the exhaust fan on, off, or to adjust fan speed. (P14)
16. Stop/Cancel (P11)
17. Surface Light ~ Press this pad to turn the surface lights on or off. (P14)
18. STAR/+30 sec (P11)
19. Microwave indicator
20. Convection indicator
21. Lock indicator
22. Vent Fan Of Low-Speed indicator
23. Vent Fan Of High-Speed indicator
24. Stove Lamp indicator
25. Timer indicator
26. Defrost indicator
27. Auto Cook indicator



For detailed information, please go to relative page list above.

## 3 Operation

### 3.2 Before operating

#### Learn more about your microwave oven



To avoid risk of personal injury or property damage, do not operate the microwave oven empty.



To avoid risk of personal injury or property damage, do not use stoneware, aluminum foil, metal utensils, or metal trimmed utensils in the microwave oven.



Do not use paper products when using Bake brown or combination bake brown with microwave.

## 3 Operation

### Microwave utensil guide

Use	Do not use
<p><b>Oven proof glass (specifically treated for high intensity heat):</b> Utility dishes, loaf dishes, pie plates, cake plates, liquid measuring cups, casseroles and bowls without metallic trim.</p> <p><b>China:</b> Bowls, cups, serving plates and platters without metallic trim.</p> <p><b>Plastic:</b> Plastic wrap (as a cover) - lay the plastic wrap loosely over the dish and press it to the sides. Vent plastic wrap by turning back one edge slightly to allow excess steam to escape. The dish should be deep enough so that the plastic wrap will not touch the food. Use plastic dishes, cups, semi-rigid freezer containers and plastic bags for short cooking times. Use these with care because the plastic may soften from the heat of the food.</p> <p><b>Paper:</b> Paper towels, waxed paper, paper napkins and paper plates with no metallic trim or design. Look for the manufacturer's label for any special instructions for use in the microwave oven.</p>	<p><b>Metal utensils:</b> Metal shields the food from microwave energy and produces uneven cooking. Also, avoid metal skewers, thermometers or foil trays. Metal utensils can cause arcing, which can damage your microwave oven.</p> <p><b>Metal decoration:</b> Bowls, cups, serving plates and platters without metallic trim.</p> <p><b>Aluminum foil:</b> Avoid large sheets of aluminum foil because they hinder cooking and may cause harmful arcing. Use small pieces of foil to shield poultry legs and wings. Keep ALL aluminum foil at least 1 inch from the side walls of the oven cavity and door of the microwave.</p> <p><b>Wood:</b> Wooden bowls and boards will dry out and may split or crack when you use them in the microwave oven. Baskets made of wood will react in the same way.</p> <p><b>Tightly covered utensils:</b> Be sure to leave openings for steam to escape from covered cookware. Pierce plastic pouches of vegetables or other food items before cooking. Tightly closed pouches may explode.</p> <p><b>Brown paper:</b> Avoid using brown paper bags. They absorb heat and can burn.</p> <p><b>Flawed or chipped cooking utensils:</b> Any utensil that is cracked, flawed or chipped may break in the oven.</p> <p><b>Metal twist ties:</b> Remove metal twist ties from plastic or paper bags. They become hot and could cause a fire.</p>

## 3 Operation

### 3.3 Manual cooking

#### 3.3.1 Setting the clock

**Example:** Setting clock display for 9:00:

1. Touch **Clock** pad once for AM, touch twice for PM.
2. Enter time using number pads.
3. Touch **Clock** pad again.

#### 3.3.2 Setting the timer

**Example:** setting timer for 5 minutes:

1. Touch **Timer** pad once.
2. Enter desired time using number pads.
3. Touch **Timer** pad.

When the timer has reached the end of set time, you will hear beep alerts indicating the timer has run out.

#### 3.3.3 Control Lock

You may lock the control panel to prevent the microwave from being accidentally started or used by children.

The control lock feature is very useful when cleaning the control panel. The lock will prevent accidental programming when wiping the control panel clean.

**Example:** To set the control lock ON:

Touch and hold the **Stop/Cancel** pad for more than 3 seconds. The Lock icon will appear in the display window along with 2 beeps.

**Example:** To change the control lock from ON to OFF:

Touch and hold the **Stop/Cancel** pad for more than 3 seconds. The Lock icon will disappear in the display window.

#### 3.3.4 Using the Stop/Cancel key

This feature will let you quickly stop or cancel the cooking process.

Touch the **Stop/cancel** pad to :

1. Erase if you have entered wrong information.
2. Cancel timer.
3. Press pad once to pause the oven temporarily during cooking. (Touch **START/+30 sec** pad again to resume cooking.)
4. Return the time of day (clock) to the display after cooking cycle is completed.
5. Cancel a program during cooking, touch twice.

#### 3.3.5 Using the Start/+ 30 sec. key

This feature will let you quickly start or add 30 seconds

Touch the **START/+30sec.** pad to :

1. Start programmed cooking.
2. Start cooking for 30 seconds at 100% power level.
3. Extend cooking time in multiples of 30 seconds each time this pad is touched during microwave cooking.

**Example:** To add 1 minute of cook time during 80% microwave cooking :

Press **START/+30 sec** pad twice.

#### 3.3.6 Heating with multiple cooking stages

**Example:** To heat for 5 minutes at 100% power:

1. Press **Micro.** pad .
2. Use the number pads to enter desired heating time (cook time may be set up to 99 minutes and 99 seconds).
3. Touch **START** pad.

When heating has finished you will hear beeps .

### 3.3.7 Heating with lower power levels

Using the highest power level to heat foods with does not always give the best results when some types of food need slower cooking, such as roasts, baked goods or custards.

Your oven has nine other power levels you may choose.

**Example:** to heat for 4 minutes at 70% power:

1. Press **Micro** pad.
2. Use the number pads to enter desired heating time (cook time may be set up to 99 minutes and 99 seconds).
3. Touch **START** pad.
4. Press **Power Level** pad once for power level 10 (100% power).
5. Use the number key to change the power level to 7. **PL7** appears in the display (70 % power).
6. Press **START** pad.

When heating has finished you will hear beeps .

### 3.3.8 Suggested power levels for cooking

The 10 power levels available with this microwave will help you to adjust to the power output best suited for the food type you are preparing. As with any food preparation in the microwave, it is best to follow the microwave instructions that are printed on food packaging.

The table below provides suggested power levels for various types of food that you can be prepare in the microwave.

## 3 Operation

Power level	Microwave output	Use to prepare when:
10 High	100 %	<ul style="list-style-type: none"> <li>• Boiling water.</li> <li>• Cooking ground beef.</li> <li>• Making candy.</li> <li>• Cooking fresh fruits &amp; vegetables</li> <li>• Cooking fish &amp; poultry.</li> <li>• Preheating browning dish.</li> <li>• Reheating beverages.</li> <li>• Cooking bacon slices.</li> </ul>
9	90 %	<ul style="list-style-type: none"> <li>• Reheating meat slices quickly.</li> <li>• Saute onions, celery &amp; green peppers.</li> </ul>
8	80 %	<ul style="list-style-type: none"> <li>• All reheating.</li> <li>• Cooking scrambled eggs.</li> </ul>
7	70 %	<ul style="list-style-type: none"> <li>• Cooking breads &amp; cereal products.</li> <li>• Cooking cheese dishes &amp; veal.</li> <li>• Cakes, muffins, brownies &amp; cupcakes.</li> </ul>
6	60 %	<ul style="list-style-type: none"> <li>• Cooking pasta.</li> </ul>
5	50 %	<ul style="list-style-type: none"> <li>• Cooking meats &amp; whole poultry.</li> <li>• Cooking custard.</li> <li>• Cooking spare ribs, rib roast &amp; sirloin roast.</li> </ul>
4	40 %	<ul style="list-style-type: none"> <li>• Cooking less tender cuts of meat.</li> <li>• Reheating frozen packaged foods.</li> </ul>
3	30 %	<ul style="list-style-type: none"> <li>• Thawing meat, poultry &amp; seafood.</li> <li>• Cooking small quantities of food.</li> <li>• Finish cooking casseroles, stew &amp; some sauces.</li> </ul>
2	20 %	<ul style="list-style-type: none"> <li>• Softening butter &amp; cream cheese.</li> <li>• Heating small amounts of food.</li> </ul>
1	10 %	<ul style="list-style-type: none"> <li>• Softening ice cream.</li> <li>• Raise yeast dough.</li> </ul>

### 3.3.9 Heating with multiple cooking stages

For best results, some microwave recipes call for different power levels or different lengths of time for cooking. Your microwave may be set to change from one stage to another automatically (2 stages maximum).

**Example:** to cook food for 3 minutes at 80% power and then 50% power for 6 minutes 30 seconds:

1. Press **Micro.**

2. Use the number pads to enter heating time for the 1st stage (cook time may be set up to 99 minutes and 99 seconds).

3. Press **Power Level** pad once.

4. Use the number keys to enter power level for the 1st stage. **PL8** appears in the display (80 % power).

5. Press **Micro.** pad for 2nd stage.

## 3 Operation

- Use the number pads to enter heating time for the 2nd stage (cook time may be set up to 99 minutes and 99 seconds).
- Press **Power Level** pad for 2nd stage.
- Use the number key to enter power level for the 2nd stage. **PL5** appears in the display (50 % power).
- Press **START** pad.

When heating has finished you will hear beeps .



Power level must always be programmed for first stage - 100% =10.

### 3.3.10 Suggestions for getting the best results

To help you achieve the best possible results from your microwave oven, read the following suggestions below;

- **Storage temperature**

Foods taken from the freezer or refrigerator take longer to cook than the same foods would at room temperature.

- **Size**

Small pieces of food cook faster than large ones. Pieces similar in size and shape will cook more evenly when cooked together. For more even results, reduce the power levels when cooking large pieces of food.

- **Natural moisture**

Very moist foods cook more evenly because microwave energy heats water molecules very efficiently.

- **Stirring**

Stir foods such as casseroles and vegetable from the outside to the center to distribute the heat more evenly. This will allow the food to cook faster. Constant stirring is not necessary.

- **Turn over items**

Turn over foods such as pork chops, roasts or whole cauliflower halfway through the cook time. This will help to expose all sides equally to microwave energy.

- **Food placement**

Place delicate areas of food items, such as asparagus tips, toward the center of the turntable tray.

- **Food arrangement**

Arrange unevenly shaped foods, such as chicken pieces or salmon, with the thicker or meatier parts toward the outside of the turntable tray.

- **Let the food stand**

After removing the food from the microwave, cover the food with foil or a casserole lid and let it stand to finish cooking. This will help the food finish in the center and avoids overcooking the out edges. The length of stand time depends on the density and surface area of the food items.

- **Wrapping in paper towels or waxed paper**

Sandwiches and many other food types containing prebaked bread should be wrapped prior to placing in the microwave to help prevent the food items from drying out while heating.

### 3.3.11 Using Ready Set

1	2	3
---	---	---

Microwave heating or cooking may be quickly set at 100% power level for 1, 2 or 3 minutes. Use the number keys 1, 2 or 3 to choose the desired minutes of cook time (this option will only work using the 1, 2 or 3 numeric pads):

**Example:** To quickly heat for 2 minutes at 100% power:

Touch number pads 1, 2 or 3 for desired minutes of cook time.

## 3 Operation



The Ready Set function cannot be set when using the **Defrost** (by weight) feature.



The weight amount must be a valid entry for this feature to start. A valid weight entry is 0.1 to 6.0 pounds.

### 3.3.12 Exhaust High / Low / Off

The exhaust ventilation moves steam and other cooking vapors from the cooking surface of the range below the microwave oven.

To operate the exhaust vent, Touch the **vent fan High/Low/Off** pad once for the highest speed setting. Touch the pad again to choose the Low speed setting and a 3rd time to turn the exhaust ventilation off.



If the temperature gets too hot around the microwave oven, the fan in the exhaust vent hood will automatically turn on at the LOW setting to cool the oven. The will automatically turn off when the internal parts are cool. When this occurs, the vent cannot be turned off.

### 3.3.13 Surface Light / On / Off

Touch the **Light/On/Off** pad once for a cooking surface light. Press the pad again to turn the light off.

### 3.3.14 Setting Defrost by Weight

**Example:** To defrost 1lb. of food with the default power level and cook time determined automatically:

1. Press **Defrost Weight** pad once. **0.0** will appear in the display.
2. Use the numeric pads to input weight of food to defrost in pounds (10 = 1lb.) You may enter any weight from 0.1 to 6.0lbs Use the numeric pads to input weight of food to defrost in pounds (10 = 1lb.) You may enter any weight from 0.1 to 6.0lbs.t
3. Press **START/+30sec.** pad.

When defrosting has finished you will hear beeps.

### 3.3.15 Setting Defrost by Time

**Example:** to defrost food with the default 30% power level for 5 minutes:

1. Press **Defrost Time** pad. **0:00** will appear in the display.
2. Use the number pads to enter desired defrost time (defrost time may be set up to 99 minutes and 99 seconds).
3. Press **START/+30sec.** pad.

When heating has finished you will hear beeps.



Power levels cannot be changed for both defrost (by weight) or defrost (by time) because the defrost performance will be adversely affected.

### 3.3.16 Special notes for defrosting by time

- After pressing **START** key, the display will count down remaining defrost time. The oven will beep twice during the defrost cycle. At this time open the door and turn the food if needed and remove any portions that have already thawed. Touch the **START** key to resume the defrost cycle.
- When heating has finished you will hear beeps.

### 3.3.17 Defrosting tips

- When using the defrost weight feature, the weight entered should always be pounds (valid entries are from 0.1 to 6.0 pounds).

## 3 Operation

- Use both defrost weight and defrost time features for raw food items only. Defrosting gives best results when food to be thawed is a minimum of 0°F (taken directly from a true freezer). If the food has been stored in a refrigerator-freezer that does not maintain a temperature of 5° F or below, always program a lower food weight or lower cook time to prevent cooking the food.
- If the frozen food is stored outside the freezer for up to 20 minutes, enter a reduced cook time or weight.
- The shape of the package will alter the defrosting time. Shallow rectangular food packets defrost more quickly than a deep frozen block of food.
- Separate pieces as they begin to defrost. Separated frozen pieces of food defrost better.
- Shield warm areas of food with small pieces of foil if they start to become warm.
- You may use small pieces of aluminum foil to shield food items like chicken wings, leg tips and fish tails, but do not allow the foil to touch the oven cavity walls when defrosting.

### 3.3.18 Defrosting suggestions for meats

For best results, please read these suggestions when defrosting meats.

Meat	Normal amount	Suggestions
• Roast beef or pork	2.5 to 6 lbs. (40 to 96 oz.)	Start with the food placed fat side down. After each stage, turn the food over and shield any warm portions with narrow strips of aluminum foil. Let stand, covered for 15-30 minutes.
• Steaks, chops or fish	0.5 to 3 lbs. (8 to 48 oz.)	After each stage, rearrange the food. If there are any warm or thawed portions of food, shield them with narrow flat pieces of aluminum foil. Remove any pieces of food that are nearly defrosted. Let stand, covered for about 5 to 10 minutes.
• Ground meat	0.5 to 3 lbs. (8 to 48 oz.)	After each stage, remove any pieces of food that are nearly defrosted. Let stand, covered with foil for 5 to 10 minutes.
• Whole chicken	2.5 to 6 lbs. (40 to 96 oz.)	Remove giblets before freezing poultry. Start defrosting with the breast side down. After the 1st stage, turn the chicken over and shield any warm portions with narrow strips of aluminum foil. After the 2nd stage, again shield any warm portions with narrow strips of aluminum foil. Let stand, covered, for 30 to 60 minutes in the refrigerator.
• Chicken pieces	0.5 to 3 lbs. (8 to 48 oz.)	After each stage, rearrange or remove any pieces of food that are nearly defrosted. Let stand for 10-20 minutes.

## 3 Operation

### 3.3.19 Reheat

The reheat feature provides 3 quick preset settings based on serving size to reheat food for your cooking convenience.

**Example:** To reheat 24 ounces of food.

1. Press **Reheat** pad 3 times to reheat 24oz. of food. **24oz** will appear in the display (see reheat category table).
2. Press **START** pad.

Reheat Category	Press	Display
8 ounces of food	once	8 oz
16 ounces of food	twice	16 oz
24 ounces of food	3 times	24 oz

### Reheat cooking suggestions

Reheat	Directions	Amount
Dinner plate	Use only pre-cooked, refrigerated foods. Cover plate with vented plastic wrap or waxed paper, tucked under plate. If food is not as hot as you prefer after heating with <b>Reheat</b> , continue heating using manual time and power level settings. Contents: <ul style="list-style-type: none"><li>• 3-4 oz. meat, poultry or fish (up to 6 oz. with bone)</li><li>• ½ cup starch (potatoes, pasta, rice, etc.)</li><li>• ½ cup of vegetables (about 3-4 oz.)</li></ul>	1 serving (1 plate)
Casserole Pasta	Cover plate with lid or vented plastic wrap. If food is not as hot as you prefer after heating with Reheat, continue heating using manual time and power level settings. Stir foods once before serving. Contents: <ul style="list-style-type: none"><li>• Casserole-refrigerated foods (for example beef stew or lasagna)</li><li>• Pasta-Canned spaghetti and ravioli, refrigerated foods.</li></ul>	1 to 4 servings

## 3 Operation

### 3.3.20 Convection cooking

There are ten temperatures of convection: 100F, 150F, 250F, 275F, 300F, 375F, 400F, 425F.

Convection cooking uses a heating element to raise the temperature of the air inside the oven. Any oven temperature from 100°F to 425°F may be set. A fan gently circulates this heated air throughout the oven, over and around the food, producing golden brown exteriors and rich, moist interiors.

Because the heated air is kept constantly moving, not permitting a layer of cooler air to develop around the food, some foods cook faster than in regular oven cooking.

#### For Best Results...

Always use the shelf when convection cooking. Reduce package/recipe temperature 25°F for baked goods. The shelf is required for good air circulation and even browning.

See the Cookware Tips section (P20) for information on suggested cookware.

#### Using CONVECTION With preheating

**Example:** To cook food for 5 minutes at 250° F using **CONV.** with preheating

1. Press **CONV.** pad once.
2. Press the temperature key to select the temperature you need. Do not enter cook time now. (The cook time will be entered later, after the oven is preheated.)
3. Press **Start/+30 SEC.** pad to start preheating. (When the oven is preheated, it will signal.)
4. Place the food in the oven. Press the number keys to set cooking time (If you do not enter the cooking time within 5 minutes the oven will turn off automatically.)
5. Press **"Start/+30SEC."** to start cooking. When cooking is complete, the oven will signal and turn off.

#### Using CONVECTION Without preheating

**Example:** To cook food for 5 minutes at 250° F using **CONV.** without preheating

1. If your recipe does not require preheating, press the **CONV.** pad once.
2. Press the temperature key to select the temperature you need.
3. Press **CONV.** to confirm the temperature.
4. Press the number keys to set cooking time.
5. Press the **"Start/+SEC."** pad start the oven.

### 3.3.21 Combination cooking

Combination cooking offers the best features of microwave energy and convection cooking. Microwaves cook food fast and convection circulation of heated air browns foods beautifully. Any oven temperature from 100° F to 425° F may be set.

#### For Best Results...

Always use the shelf when combination cooking. The shelf is required for good air circulation and even browning.

See the Cookware Tips section (P20) for information on suggested cookware.

### 3.3.22 Microwave+convection combination cooking

**Example:** To cook food for 5 minutes using combination cooking.

1. Press **COMBI.** pad once.
2. Press the number keys to set cooking time.
3. Press **Start/+30SEC.** pad to start cooking.



Check the Cookware Tips section for correct cookware when Combination Cooking.



Do not use metal cookware when Combination Cooking.

## 3 Operation



Place meat on a trivet in a glass dish to collect juices and prevent spattering.



For best roasting and browning results, whole roasts should be cooked in a glass dish placed directly on the oven shelf.



For foods that are too tall to fit in the oven, you can leave out the trivet. If necessary, you may take out the shelf and place the dish directly on the turntable.

### 3.3.23 Convection baking

- Use the wire rack during convection baking.
- Always pre-heat the oven before convection baking.
- Avoid opening the oven door during cooking - each time the door is opened the oven loses heat and this can cause uneven baking.

### Biscuits and bread

Type	Temperature	Time	Notes
Biscuits	400°F	20-30 minutes	Canned refrigerated biscuits take 2 to 4 minutes less time.
Muffins	350°F	15-20 minutes	Remove from tin straight away and place on cooling rack.
Nut bread or fruit bread	350°F	55-70 minutes	
Bread	350°F	55-65 minutes	
Plain or sweet rolls	350°F	40-50 minutes	Lightly grease baking sheet.

### Cakes

Type	Temperature	Time	Notes
Cheesecake	350°F	65-75 minutes	After baking open oven door slightly and leave cheesecake to stand in oven for 30 minutes
Coffee cake	350°F	30-40 minutes	
Cup cakes	350°F	20-30 minutes	
Fruit cake	350°F	85-95 minutes	
Gingerbread	350°F	40-45 minutes	

## 3 Operation

### 3.3.24 Combination cooking

Combination cooking helps to brown and crisp foods.

Type	Quantity	Time	Notes
Beefburgers	4oz	16-19 minutes for two	Place on microwave-proof plate, drain fat and turn halfway through cooking.
Beef rump roast	1.0kg	Rare: 15-20 minutes Medium: 21-25 minutes Well done: 26-30 minutes	Place fat side down on low rack, season, shield if necessary After cooking, leave to stand for 15 minutes.
Lamb roast, rolled, boneless	1.0kg	Rare: 15-20 minutes Medium: 21-25 minutes Well done: 26-30 minutes	Place fat side down on low rack, brush with marinade and season, shield if necessary. After cooking, leave to stand for 15 minutes.
Pork	2 chops	Rare: 13-17 minutes Medium: 18-23 minutes Well done: 24-29 minutes	Place on high rack, brush with marinade and season. Cook until no longer pink or internal temperature reaches 170°F. Turn halfway through cooking. After cooking, cover with foil and leave to stand for 5 minutes.
Pork	4 chops	Rare: 15-19 minutes Medium: 20-25 minutes Well done: 26-32 minutes	Place on high rack, brush with marinade and season. Cook until no longer pink or internal temperature reaches 170°F. Turn halfway through cooking. After cooking, cover with foil and leave to stand for 5 minutes.
Pork loin roast, rolled, boneless	1.0kg	Rare: 20-25 minutes Medium: 26-30 minutes Well done: 30-35 minutes	Place fat side down on low rack, season, shield if necessary. After cooking, cover with foil and leave to stand for 15 minutes.
Chicken breasts	1 lb.	16-26 minutes	Wash and dry meat, remove skin, place thickest portion to outside on high rack.
Chicken boneless portions	1 lb.	13-24 minutes	Place on high rack, brush with butter and season as required. Turn halfway through cooking. Cook until no longer pink and juices run clear. After cooking, cover with foil and leave to stand for 3-5 minutes.
Chicken, whole	1.3kg	25 - 40 minutes	Wash and dry bird, place breast down on low rack, brush with butter and season as required. Turn and drain halfway through cooking. Cook until no longer pink and juices run clear. After cooking, cover with foil and leave to stand for 10 minutes. Temperature in thigh should be approx 185°F.

## 3 Operation

### 3.3.25 Cookware tips

#### Convection Cooking

Metal Pans are recommended for all types of baked products, but especially where browning or crusting is important.

Dark or dull finish metal pans are best for breads and pies because they absorb heat and produce crisper crust.

Shiny aluminum pans are better for cakes, cookies or muffins because these pans reflect heat and help produce a light tender crust.

Glass or Glass-Ceramic casserole or baking dishes are best suited for egg and cheese recipes due to the cleanability of glass.

#### Combination Cooking

Glass or Glass-Ceramic baking containers are recommended. Be sure not to use items with metal trim as it may cause arcing (sparking) with oven wall or oven shelf, damaging the cookware, the shelf or the oven.

Heat-Resistant Plastic microwave cookware (safe to 450°F) may be used, but it is not recommended for foods requiring crusting or all-around browning, because the plastic is a poor conductor of heat.

Cookware	Microwave	Bake/brown	Combination
Heat-Resistant Glass, Glass-Ceramic (Pyrex®, Fire King®, Corning Ware®, etc.)	Yes	Yes	Yes
Metal	No	Yes	No
Non Heat-Resistant Glass	No	No	No
Microwave-Safe Plastics	Yes	No	Yes
Plastic Films and Wraps	Yes	No	No
Paper Products	Yes	No	No
Straw, Wicker and Wood	Yes	No	No

- Use only microwave cookware that is safe to 450 °F.

## 3 Operation

### Select the best method of cooking.

Use the following guide to select the best method of cooking. Specific recipes can be adapted to any of cooking.

① – Best method

② – Alternate method

**N/R** – Not recommended

Foods	Microwave	Combination	Bake/Brown
Appetizers			
Dips and Spreads	①	<b>N/R</b>	<b>N/R</b>
Pastry Snacks	②	①	②
Beverages	①	<b>N/R</b>	<b>N/R</b>
Sauces and Toppings	①	<b>N/R</b>	<b>N/R</b>
Soups and Stews	①	②	<b>N/R</b>
Meats			
Defrosting	①	<b>N/R</b>	<b>N/R</b>
Roasting	②	①	②
Poultry			
Defrosting	①	<b>N/R</b>	<b>N/R</b>
Roasting	②	①	②
Fish and Seafood			
Defrosting	①	<b>N/R</b>	<b>N/R</b>
Cooking	①	②	<b>N/R</b>
Casseroles	②	①	②
Eggs and Cheese			
Scrambled, Omelets	①	<b>N/R</b>	②
Quiche, Souffle	②	②	①
Vegetables, (fresh)	①	<b>N/R</b>	<b>N/R</b>
Breads			
Quick	②	①	②
Yeast	<b>N/R</b>	②	①
Muffins, Coffee Cake	②	①	②

### 3 Operation

Desserts			
Cakes, Layer and Bundt	②	①	②
Angel Food and Chiffon	N/R	N/R	①
Custard and Pudding	①	N/R	N/R
Bar Cookies	②	①	②
Fruit	①	N/R	N/R
Pies and Pastry	N/R	②	①
Candy	①	N/R	N/R
Blanching Vegetables	①	N/R	N/R
Frozen Convenience Foods	①	②	②

#### Popcorn



DO NOT leave microwave oven unattended while popping corn.

The popcorn feature lets you pop 3 different commercially packaged microwave popcorn sized bags. Use the table below to determine the setting to use.

Amount	Press popcorn pad
1.75 oz. (default setting)	once
3.00 oz.	2 times
3.5 oz.	3 times

**Example:** To pop a 3.0 oz. bag of popcorn automatically.

1. Press **Popcorn** pad (1, 2 or 3 times - refer to table above to change for bag size).
2. Press **START** pad.

The microwave will beep when finished.

#### Potato

The potato feature cooks 1, 2,3 or 4 (cooking times based on 8 to 32 oz.) potatoes automatically. Use the table below to determine the setting to use.

Amount	Press potato pad
1 potato (default setting)	once
2 potatoes	2 times
3 potatoes	3 times
4 potatoes	4 times

**Example:** To cook 1 potato automatically.

1. Press **Potato** pad (1, 2,3 or 4 times - refer to table above to change quantity).
2. Press **START** pad.

The microwave will beep when finished.



Before cooking, pierce potatoes with fork several times.



After cookings, let potatoes stand for 5 minutes.

## 3 Operation

### Beverage

The beverage feature heats 1, 2 or 3 cups of beverage. Use the table below to determine the setting to use.

Amount	Press beverage pad
1 cup ( about 8 oz.)	once (default setting)
2 cups (about 16 oz.)	2 times
3 cups (about 24 oz.)	3 times

**Example:** To heat 1 cup of a beverage.

1. Press **Beverage** pad (1, 2 or 3 times - refer to table above to change number of servings).
2. Press **START** pad.

The microwave will beep when finished.

### 3.4 Auto cooking

#### Convenience cooking suggestions

Convenience category	Amount	Suggestions
Popcorn	1,75,3,0, 3,5 oz. 1 pkg.	Cook a single "microwave-only" bag of popcorn at a time. Use caution when removing and opening the hot popcorn bag from the oven. Let microwave oven cool down at least 5 minutes before using again.
Potato	1,2,3,4 potatoes 8,16,24 32 oz.	Pierce each potato several times using a fork. Place on turntable in spoke-like fashion. After cooking, let stand for 3-5 minutes. Let oven cool for at least 5 minutes before using again. Use the <b>start/+30sec</b> pad to increase cook time for larger potatoes.
Beverage	1,2,3 cups (8 oz,16 oz, 24 oz.)	Use a microwave-safe measuring cup or mug; do not cover. Place the beverage in the microwave. After heating, stir well. Let oven cool for at least 5 minutes before using again. Beverages heated with the beverage category may be very hot. Remove the container with care.

## 3 Operation

### 3.5 Cooking charts

#### 3.5.1 Cooking meat in your microwave

Be sure to place prepared meats on a microwave-safe roasting rack in a microwave-safe dish. Start cooking the meat fat side down and if necessary, use narrow strips of aluminum foil to shield any bone tips or thin meat areas. After cooking, check the temperature in several places before letting the meat stand the recommended time. Please note that the temperatures in the following charts are temperatures at removal time; the temperature will rise during the standing period.

Meat	Power level	Cook time	Directions
• Roast beef boneless (up to 4 lbs.)	High (10) for first 5 minutes, then medium (5)	12-17 min./lb. for 160° F (Medium)	Place roast beef fat-side down on roasting rack. Cover with wax paper. Turn over half way through cooking. Let stand* 10-15 minutes.
		14-19 min./lb. for 170° F (Well Done)	
• Roast pork boneless or bone-in (up to 4 lbs.)	High (10) for first 5 minutes, then medium (5)	15-20 min./lb. for 170° F (Well Done)	Place roast pork fat-side down on roasting rack. Cover with wax paper. Turn over half way through cooking. Let stand* 10-15 minutes.

- Expect a 10° F rise in the temperature during the standing period.

Meat	Doneness	Remove from oven	After standing (10-15 min.)
• Beef	Medium	150° F	150° F
	Well Done	160° F	160° F
• Pork	Medium	150° F	150° F
	Well Done	160° F	160° F
• Poultry	Dark meat	170° F	170° F
	Light meat	160° F	160° F

## 3 Operation

### 3.5.2 Cooking poultry in your microwave

Be sure to place poultry on a microwave-safe roasting rack in a microwave-safe dish. Cover poultry with wax paper to prevent splattering. Use narrow strips of aluminum foil to shield any bone tips or thin meat areas, or areas that start to overcook. After cooking, check the temperature in several places before letting the meat stand the recommended time.

Poultry	Cook time/power level	Directions
<ul style="list-style-type: none"><li>Whole chicken (up to 4 lbs.)</li></ul>	Cook time: 7-10 min. /lb. 180° F dark meat 170° F dark meat Power level: medium high (7)	Place chicken breast-side down on roasting rack. Cover with wax paper. Turn over half way through cooking. Cook until juices run clear and meat near bone is no longer pink. Let stand for 5-10 min.
<ul style="list-style-type: none"><li>Chicken pieces (up to 4 lbs.)</li></ul>	Cook time: 7-10 min. /lb. 180° F dark meat 170° F dark meat Power level: medium high (7)	Place chicken bone-side down on dish, with thickest portions toward the inside of dish. Cover with wax paper. Turn over half way through cooking. Cook until juices run clear and meat near bone is no longer pink. Let stand for 5-10 min.

### 3.5.3 Cooking eggs in your microwave

- Never cook eggs in the shell and never warm hardcooked eggs in the shell; they can explode.
- Always pierce whole eggs to keep them from bursting.
- Cook eggs just until set; they will become tough if overcooked.

### 3.5.4 Cooking vegetables in your microwave

- Vegetables should be washed just before cooking. Rarely is extra water needed. If dense vegetables such as potatoes, carrots and greens are being cooked, add about  $\frac{1}{4}$  cup of water.
- Small vegetables (sliced carrots, peas, lima beans, etc.) will cook faster than larger vegetables.

- Whole vegetables, such as potatoes, acorn squash or corn on the cob, should be arranged in a circle on the turntable before cooking. The will cook more evenly if turned over halfway through cooking.
- Always place vegetables like asparagus and broccoli with the stem ends pointing towards the edge of the dish and the tips toward the center.
- When cooking cut vegetables, always cover the dish with a lid or vented microwavable plastic wrap.
- Whole, unpeeled vegetables such as potatoes, squash, eggplant, etc., should have their skin pricked in several locations before cooking to prevent them from bursting.
- For more even cooking, stir or rearrange whole vegetables halfway through the cook time.

## 3 Operation

- Most of the time, the denser the food the longer the required standing time. For example, a baked potato should stand for 5 minutes before serving, while a dish of peas may be served immediately.

### 3.5.5 Cooking seafood in your microwave

Place fish on a microwave-safe roasting rack in a microwave-safe dish. Be sure to always cook fish until it flakes easily with a fork. Use a tight cover to steam fish; a lighter cover of wax paper or paper towel provides less steaming. And be sure not to overcook fish; check it for doneness at a minimum cooking time before cooking longer.

Seafood	Cook time/power level	Directions
Fish steaks Up to 1½ lbs.	Cook time: 7-11 min./lb. Power level: med-high (7)	Arrange fish on roasting rack with meaty portions towards the outside of rack. Cover with wax paper. Turn over and rearrange halfway through cook time. Cook until fish flakes easily with fork. Let stand 3-5 mins.
Fish fillets Up to 1½ lbs.	Cook time: 4-8 min./lb. Power level: med-high (7)	Arrange fillets in a baking dish, turning any thin pieces under. Cover with wax paper. If over ½ inch thick, turn over and rearrange halfway through cook time. Cook until fish flakes easily with fork. Let stand 2-3 mins.
Shrimp Up to 1½ lbs.	Cook time: 4-6½ min./lb. Power level: med-high (7)	Arrange shrimp in a baking dish without overlapping or layering. Cover with wax paper. Cook until firm and opaque, stirring 2 or 3 times. Let stand 5 mins.

### 3.6 Demonstration Mode

When the oven is electrified within one minute, to demonstrate, press "POPCORN" pad twice and hold for 6 seconds, "DE" will appear in the display. The buzzer sounds twice.

To cancel, press "POPCORN" pad twice and hold for 6 seconds, "End" will appear in the display. The buzzer will sound twice. If easier, unplug the oven from the electrical outlet.

## 4 Cleaning and care

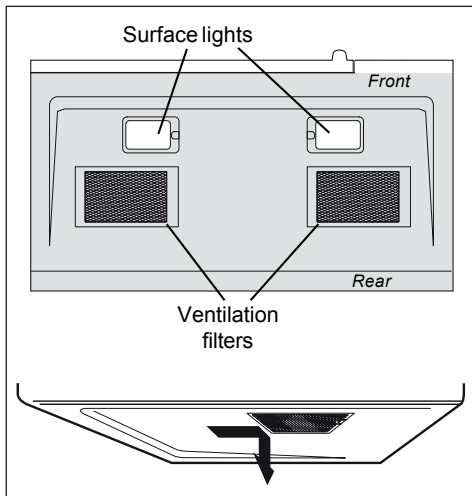
Disconnect the power cord before cleaning or leave the door open to deactivate the oven during cleaning.

### 4.1 Cleaning the exhaust filters

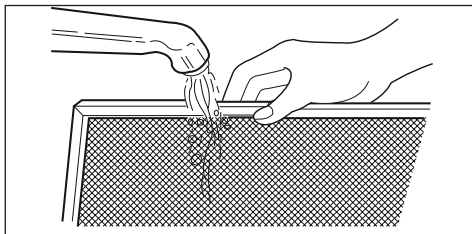
The oven ventilation exhaust filters should be removed and cleaned often; generally at least once every month.



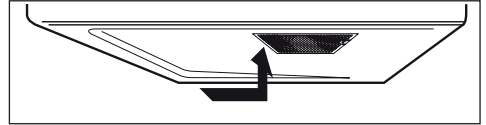
To avoid risk of personal injury or property damage, do not operate oven hood without filters properly in place.



1. To remove the exhaust ventilation filters, slide the filter to the rear. Then pull filter downward and push to the other side. The filter will drop out. Repeat for the 2nd filter.



2. Soak the ventilation filters in hot water using a mild detergent. Rinse well and shake out dry or wash in a dishwasher. **Do not use ammonia. The aluminum on the filter will corrode and darken.**



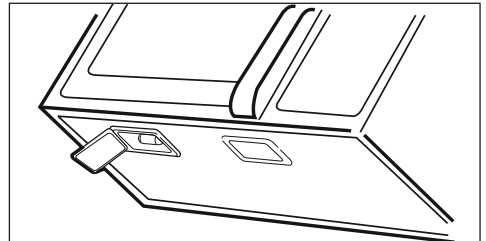
3. To reinstall the exhaust ventilation filter, slide it into the side slot, then push up and toward oven to lock. Reinstall the 2nd filter using the same procedure.

### 4.2 Surface light replacement



To avoid risk of personal injury or property damage, wear gloves when replacing the light bulbs.

1. Unplug the microwave oven or turn off power at the main circuit breaker.
2. Remove the bulb cover mounting screws at both light positions under the microwave.



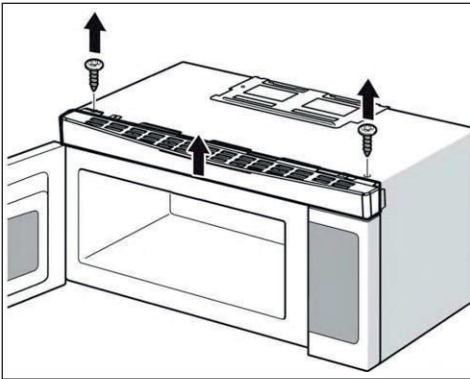
3. Replace bulb with 30 watt appliance bulb.
4. Re-install bulb cover and mounting screw.
5. Plug the microwave back into the power supply or turn the power back on at the main circuit breaker.

## 4 Cleaning and care

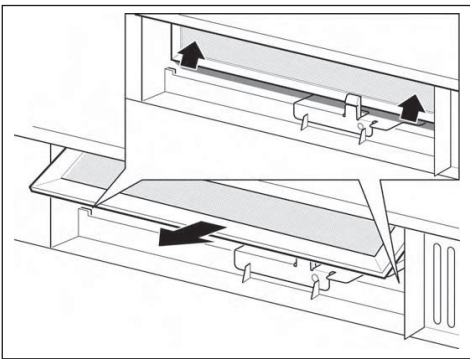
### 4.3 Charcoal filter replacement

Charcoal Filter installed in your microwave oven, is used for nonvented, recirculated installation. The filter should be changed every 6 to 12 months depending on use.

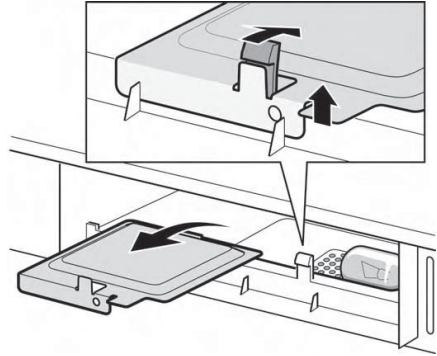
1. Disconnect power to the microwave oven at the circuit breaker panel or by unplugging.
2. Remove the vent grill mounting screws.
3. Pull the vent grill away from the unit.



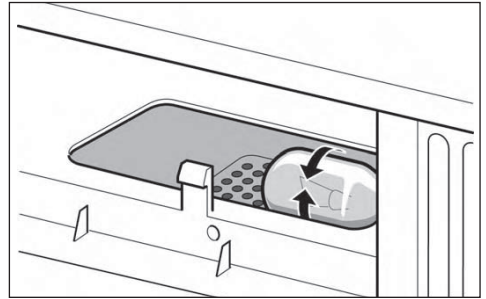
4. Remove the charcoal filter by pushing it inwards, then turn and pull it away from the unit.



1. Open light cover located behind filter mounting by carefully pulling up on the front edge.



2. Remove old light bulb and replace only with equivalent 30 watt bulb available from parts distributor. Bulbs are also available at most hardware stores or lighting centers.



Do not use bulb larger than 30 watts.

3. Replace the microwave oven light cover by carefully pushing into place. Replace the charcoal filter. Push the vent grill back into place (engaging both the bottom and top tabs) and replace the vent grill mounting screws.

### 4.4 Oven light replacement

Remove the vent grill per instructions 1-4 above and charcoal filter, if used.

### 4.5 Cleaning suggestions

For best performance and for safety reasons, keep the oven clean inside and outside. Take special care to keep the inner door panel and oven frame free of food and grease build-up.

Never use rough scouring powder or pads on the microwave. Wipe the microwave oven inside and out with a soft cloth and a warm (not hot) mild detergent solution. Then rinse and wipe completely dry.

Wipe spatters immediately with a wet paper towel, especially after cooking greasy foods like chicken or bacon.

Clean your microwave oven weekly or more often, if needed.

#### **Follow these instructions to clean and care for your microwave oven:**

- Keep the inside (cavity) of the oven clean. Food particles and spilled liquids can stick to the oven walls, causing the oven to work less efficiently.
- Wipe up spills immediately. Use a damp, clean cloth and mild soap. DO NOT use harsh detergents or abrasive cleaners.
- To help loosen baked-on food particles or liquids, heat 2 cups of water (add the juice of 1 lemon if you desire to keep the oven fresh smelling) in a 4 cup measuring glass at High power for 5 minutes or until boiling. Let stand in oven cavity for 1 or 2 minutes.
- Remove the glass turntable tray from the oven when cleaning the oven cavity or tray. To prevent the glass turntable from breaking, handle with care and do not put it in water immediately after cooking. Wash the turntable tray in warm sudsy water or in the dishwasher.
- Clean the outside surface of the microwave with soap and a clean damp cloth. Dry with a clean soft cloth. To prevent damage to the operating parts of the oven, do not let water seep into any vents or openings.

- Wash the oven door window with very mild soap and water. Be sure to use a soft clean cloth to avoid scratching.
- If steam accumulates inside or outside the oven door, wipe with a soft cloth. Steam can accumulate when operating the oven in high humidity and in no way indicates microwave leakage.
- Never operate the oven without food in the oven cavity; this can damage the magnetron tube or glass tray. You may wish to leave a cup of water standing inside the oven when it is not in use to prevent damage if the oven is accidentally turned on.

### 4.6 How to Clean the Inside

Walls, Floor, Inside Window, Metal and Plastic Parts on the Door.

Some spatters can be removed with a paper towel, others may require a damp cloth. Remove greasy spatters with a sudsy cloth, then rinse with a damp cloth. Do not use abrasive cleaners or sharp utensils on oven walls.

To clean the surface of the door and the surface of the oven that come together upon closing, use only mild, non-abrasive soaps or detergents using a sponge or soft cloth. Rinse with a damp cloth and dry.

Never use a commercial oven cleaner on any part of your microwave.

#### Removable Turntable and Turntable Support

To prevent breakage, do not place the turntable into water just after cooking. Wash it carefully in warm, sudsy water or in the dishwasher. The turntable and support can be broken if dropped. Remember, do not operate the oven without the turntable and support in place.

## 4 Cleaning and care

### 4.7 How to Clean the Outside

Do not use cleaners containing ammonia or alcohol on the microwave oven. Ammonia or alcohol can damage the appearance of the microwave.

#### Case

Clean the outside of the microwave with a sudsy cloth. Rinse with a damp cloth and then dry. Wipe the window clean with a damp cloth.

#### Control Panel and Door

Wipe with a damp cloth. Dry thoroughly. Do not use cleaning sprays, large amounts of soap and water, abrasives or sharp objects on the panel—they can damage it. Some paper towels can also scratch the control panel.

#### Door Surface

It is important to keep the area clean where the door seals against the microwave. Use only mild, non-abrasive detergents applied with a clean sponge or soft cloth. Rinse well.

#### Power Cord

If the cord becomes soiled, unplug and wash with a damp cloth. For stubborn spots, sudsy water may be used, but be certain to rinse with a damp cloth and dry thoroughly before plugging cord into outlet.

#### Stainless Steel

Do not use a steel-wool pad; it will scratch the surface.

To clean stainless steel surfaces, use a hot, damp cloth with a mild detergent suitable for stainless steel surfaces. Use a clean, hot, damp cloth to remove soap. Dry with a dry, clean cloth.

If food soil remains, try a general kitchen cleaner, such as Fantastik®, Simple Green® or Formula 409®.

For hard-to-clean soil, use a standard stainless-steel cleaner, such as Bon-Ami® or Cameo®.

Apply cleaner with a damp sponge. Use a clean, hot, damp cloth to remove cleaner. Dry with a dry, clean cloth.

Always scrub lightly in the direction of the grain.

After cleaning, use a stainless-steel polish, such as tainless Steel Magic®, Revere Copper and Stainless Steel Cleaner® or Wenzol All Purpose Metal Polish®. Follow the product instructions for cleaning the stainless-steel surface.

## 5 Maintenance

### 5.1 Troubleshooting

Check your problem by using the chart below and try the solutions for each problem. If the microwave oven still does not work properly, contact the nearest authorized service center.

<b>Trouble</b>	<b>Possible cause</b>	<b>Possible remedy</b>
Oven will not start	a. Electrical cord for oven is not plugged in. b. Door is open. c. Wrong operation is set.	a. Plug into the outlet. b. Close the door and try again. c. Check instructions.
Arcing or sparking	a. Materials to be avoided in microwave oven were used. b. The oven is operated when empty. c. Spilled food remains in the cavity.	a. Use microwave-safe cookware only. b. Do not operate with oven empty. c. Clean cavity with wet towel.
Unevenly cooked foods	a. Materials to be avoided in microwave oven were used. b. Food is not defrosted completely. c. Cooking time, power level is not suitable. d. Food is not turned or stirred.	a. Use microwave-safe cookware only. b. Completely defrost food. c. Use correct cooking time, power level. d. Turn or stir food.
Overcooked foods	Cooking time, power level is not suitable.	Use correct cooking time, power level.
Undercooked foods	a. Materials to be avoided in microwave oven were used. b. Food is not defrosted completely. c. Oven ventilation ports are restricted. d. Cooking time, power level is not suitable.	a. Use microwave-safe cookware only. b. Completely defrost food. c. Check to see that oven ventilation ports are not restricted. d. Use correct cooking time, power level.
Improper defrosting	a. Materials to be avoided in microwave oven were used. b. Cooking time, power level is not suitable. c. Food is not turned or stirred.	a. Use microwave-safe cookware only. b. Use correct cooking time, power level. c. Turn or stir food.

## 6 Guarantee and Service

### WARRANTY STATEMENT FOR THE BLOMBERG OVER THE RANGE CONVECTION MICROWAVE OVEN

The warranties provided by Blomberg in these statements only apply to Blomberg Over The Range Convection Microwave Ovens sold to the original purchaser or homeowner in the US and Canada. This warranty is not transferable.

To obtain warranty service, please contact our nearest distributor as listed by state or call 1800-459-9848. You will need your Over The Range Convection Microwave Ovens model number, serial number, retailer name and address, where purchased and purchase date / installation date.

This warranty gives you specific legal rights, and you may also have other rights which vary from state to state.

All warranties stated below are based upon normal household use. The use of the product in a commercial setting will void all warranties.

Service must also be performed by an authorized Blomberg Service Agency.

Cosmetic defects must be reported within 10 business days from installation

1 year \* limited warranty from date of first installation Blomberg will repair or replace at no cost to the consumer any defective parts of the Over The Range Convection Microwave Ovens

2 year \* ++ limited warranty from date of first installation (Parts only) Blomberg will repair or replace any parts at no cost to the consumer if material defects or workmanship have caused the damage or failure of these components. Labor charges are the responsibility of the consumer

#### Disclaimers of warranties and exclusions:

Warranty does not cover service costs by an authorized service agent to correct installation, electrical problems or educational instruction on the use of the Over The Range Convection Microwave Ovens. The warranty also does not cover defects or damage caused by an act of god (such as storms, floods, fires, mudslides, etc.), damage cause by use of the Over Over The Range Convection Microwave Ovens for purposes other than those for which it was designed, misuse, abuse, accident, alteration, improper installation, maintenance, travel fees, service calls outside normal service hours, unauthorized service work or work.

This product is fully tested and went through official quality assurance inspections before leaving the original manufacturing site.

Warranty terms for this Blomberg household appliance is not valid if the product is altered, tampered, modified, additional parts assembled, fixed and re-packed by an authorized distributor, servicer, a third party retailer, reseller or by any other unauthorized person(s).

TO THE EXTENT PERMITTED BY LAW, THIS WARRANTY IS IN LIEU OF ALL OTHER EXPRESSED AND IMPLIED WARRANTIES, INCLUDING THE IMPLIED WARRANTIES OF MERCHANTABILITY AND FITNESS FOR A PARTICULAR PURPOSE. BLOMBERG UNDERTAKES NO RESPONSIBILITY FOR THE QUALITY OF THIS PRODUCT EXCEPT AS OTHERWISE PROVIDED IN THIS WARRANTY STATEMENT. BLOMBERG ASSUMES NO RESPONSIBILITY THAT THE PRODUCT WILL BE FIT FOR ANY PARTICULAR PURPOSE FOR WHICH YOU MAY BE BUYING THIS PRODUCT, EXCEPT AS OTHERWISE PROVIDED IN THIS WARRANTY STATEMENT.

Blomberg does not assume any responsibility for incidental or consequential damages. Such damages include, but are not limited to, loss of profits, loss of savings or revenue, loss of use of the cooker or any associated equipment, cost of capital, cost of any substitute equipment, facilities or services, downtime, the claims of third parties, and injury to property. Some states do not allow the exclusion or limitation of incidental or consequential damages, so the above limitations or exclusion may not apply to you.

\* installation date shall refer to either purchase date or 5 business days after delivery of the product to the home, whichever is later.

++ Parts replaced will assume the identity of the original parts + their original warranty.

No Other Warranties. This Warranty Statement is the complete and exclusive warranty from the manufacturer. No employee of Blomberg or any other party is authorized to make any warranty statements in addition to those made in this Warranty Statement.

Please keep this warranty card, user manual and your sales slip for future reference.

#### HOW TO GET SERVICE

Please contact the Distributor for your State or Province as listed on the Distributor Con-tact List, or call our Toll Free Number at 1.800.459.9848

# Avant d'utiliser l'appareil, veuillez lire ce manuel !


Chère cliente, cher client,

Merci d'avoir choisi les produits Blomberg. Nous espérons que ce produit, fabriqué dans des installations modernes et soumis à un processus de contrôle qualité rigoureux, vous offre les meilleures performances possibles. C'est pourquoi nous vous recommandons, avant d'utiliser ce produit, de lire attentivement ce manuel et tous les autres documents fournis et de les conserver soigneusement pour toute consultation future. Si vous confiez le produit à quelqu'un d'autre, n'oubliez pas de lui remettre également le manuel d'utilisation. Veillez à bien respecter les consignes et les instructions figurant dans le manuel d'utilisation.

## Signification des symboles

Les symboles suivants sont utilisés tout au long de ce manuel :

	Informations importantes et conseils utiles sur l'utilisation de l'appareil.
--	--

	Avertissement sur les situations dangereuses concernant la sécurité des biens et des personnes.
--	---

	Avertissement en cas de contact avec une surface brûlante.
--	--



Ce produit a été fabriqué dans une usine moderne respectueuse de l'environnement.

## 1 Instructions importantes en matière de sécurité et d'environnement 40

1.1 Consignes générales de sécurité.....	40
1.2 Sécurité électrique.....	42
1.3 Sécurité du produit.....	43
1.4 Utilisation prévue.....	44
1.5 Conformité avec la directive DEEE et mise au rebut des produits usagés .....	45
1.6 Information sur l'emballage .....	45

## 2 Votre four à micro-ondes à convection à hotte intégrée 46

2.1 Vue d'ensemble.....	46
2.2 Données techniques .....	46

## 3 Fonctionnement 47

3.1 Panneau de commande.....	47
3.2 Avant l'utilisation.....	48
3.3 Cuisson manuelle.....	50
3.3.1 Réglage de l'horloge.....	50
3.3.2 Réglage de la minuterie.....	50
3.3.3 Verrouillage de commande.....	50
3.3.4 Utilisation de la touche Stop/Cancel (Arrêter/Annuler).....	50
3.3.5 Utilisation de la touche START/+30 sec (DÉMARRER/+30 sec).....	50
3.3.6 Chauffage à étapes multiples .....	51
3.3.7 Chauffage à des niveaux de puissance inférieurs.....	51
3.3.8 Suggestions de niveaux de puissance pour la cuisson.....	51
3.3.9 Chauffage à étapes multiples .....	52
3.3.10 Suggestions pour de meilleurs résultats .....	53
3.3.11 Utilisation de la fonction Ready Set (Réglage instantané).....	54
3.3.12 Évacuation Grande vitesse/ Faible vitesse/Arrêt).....	54
3.3.13 Éclairage de surface Marche / Arrêt.....	54
3.3.14 Réglage du dégivrage par le poids.....	54
3.3.15 Réglage du dégivrage par le temps.....	55

3.3.16 Remarques spéciales concernant le dégivrage par le temps.....	55
3.3.17 Conseils sur le dégivrage .....	55
3.3.18 Suggestions pour la décongélation des viandes .....	56
3.3.19 Réchauffage.....	57
Suggestions pour le réchauffage des aliments.....	57
3.3.20 Cuisson par convection.....	58
3.3.21 Cuisson mixte .....	58
3.3.22 Cuisson mixte dans un four à micro-ondes + par convection.....	59
3.3.23 Cuisson par convection .....	59
3.3.24 Cuisson mixte.....	61
3.3.25 Conseils sur l'utilisation des ustensiles de cuisson .....	62
3.4 Cuisson automatique.....	65
3.5 Tableaux de cuisson .....	66
3.5.1 Cuisson de la viande dans votre four à micro-ondes .....	66
3.5.2 Cuisson de la volaille dans votre four à micro-ondes .....	67
3.5.3 Cuisson des œufs dans votre four à micro-ondes .....	67
3.5.4 Cuisson des légumes dans votre four à micro-ondes .....	67
3.5.5 Cuisson des fruits de mer dans votre four à micro-ondes .....	68
3.6 Mode démonstration .....	69

## 4 Nettoyage et entretien 70

4.1 Nettoyage des filtres d'évacuation.....	70
4.2 Remplacement de la lumière de surface.....	70
4.3 Remplacement du filtre à charbon.....	71
4.4 Remplacement de la lumière du four .....	71
4.5 Suggestions pour le nettoyage .....	72
4.6 Nettoyage de la partie intérieure du four ..	73
4.7 Nettoyage de la partie extérieure du four ..	73

## 5 Entretien 75

5.1 Dépannage.....	75
--------------------	----

## 6 Garantie et service 76

Cette section contient les consignes de sécurité qui aident à se prémunir contre les risques d'incendie, d'électrocution, d'exposition aux fuites d'énergie à micro-ondes, de dommages corporels ou de dégâts matériels. Le non-respect de ces consignes annule la garantie.

## 1.1 Consignes générales de sécurité

- N'essayez pas de mettre le four en marche lorsque la porte est ouverte ; vous seriez exposés à l'énergie des micro-ondes. Évitez de modifier ou de tripatouiller le verrouillage de sécurité.
- Ne jouez avec aucun des objets entre la face avant et la porte du four. Ne permettez pas l'accumulation de la poussière ou des résidus d'agent nettoyant sur les surfaces de fermeture.
- Toutes les opérations de maintenance impliquant le retrait du couvercle de protection contre l'exposition à l'énergie des micro-ondes doivent être réalisés par des personnes/ou des services après-vente agréés.
- Votre appareil est conçu pour la cuisson, le chauffage et la décongélation des aliments à domicile. Il ne doit pas être utilisé à des fins commerciales. Le fabricant ne saurait être tenu responsable des dommages découlant d'une utilisation inappropriée.
- N'utilisez pas l'appareil à l'extérieur, dans une salle de bain, dans des environnements humides ou dans des endroits où il peut être mouillé.
- Tout dommage résultant d'une utilisation inappropriée de l'appareil annule la responsabilité du fabricant ou toute réclamation au titre de la garantie.
- N'essayez jamais de démonter l'appareil. Aucune réclamation au titre de la garantie ne sera acceptée pour les dégâts résultant d'une manipulation incorrecte.
- Utilisez uniquement des pièces d'origine ou pièces recommandées par le fabricant.
- Ne laissez pas l'appareil sans surveillance lorsque vous l'utilisez.
- Utilisez toujours l'appareil sur une surface stable, plate, propre, sèche et non glissante.

- Cet appareil ne doit pas être utilisé avec une minuterie extérieure ou un système de télécommande séparé.
- Avant d'utiliser l'appareil pour la première fois, nettoyez-en toutes les pièces. Reportez-vous aux renseignements fournis dans la rubrique « Nettoyage et entretien ».
- Utilisez l'appareil uniquement aux fins pour lesquelles il a été conçu, conformément aux instructions du présent manuel. N'utilisez pas de produits chimiques abrasifs ou de la vapeur sur l'appareil. Ce four a été particulièrement conçu pour chauffer et cuire les aliments. Il n'est pas destiné à un usage industriel ou en laboratoire.
- N'utilisez pas l'appareil pour sécher les vêtements ou les torchons.
- L'appareil devient très chaud lorsqu'il est utilisé. Évitez de toucher les pièces chaudes à l'intérieur du four.
- Votre four n'est pas destiné au séchage d'un quelconque être vivant.
- Ne mettez pas l'appareil en marche lorsqu'il est vide.
- Les récipients de cuisson peuvent devenir très chauds en raison du transfert de chaleur des aliments chauffés au récipient. Vous aurez besoin de gant de cuisine pour tenir les récipients.
- Vérifiez que les récipients sont appropriés pour une utilisation dans des fours à micro-ondes.
- Ne placez pas le four au-dessus des cuisinières ou de tout autre appareil produisant de la chaleur. Sinon, il pourrait être endommagé et la garantie annulée.
- Ne placez pas le four à micro-ondes dans une armoire non conforme aux instructions d'installation.
- De la vapeur pourrait s'échapper lorsque vous ouvrez les couvercles ou le papier après la cuisson des aliments.
- Portez des gants de cuisine lorsque vous devez sortir des mets chauds du four.
- L'appareil et ses surfaces accessibles peuvent devenir très chauds lorsque l'appareil est en cours d'utilisation.
- La porte et la vitre externe peuvent devenir très chaudes lorsque l'appareil est en cours d'utilisation.

## 1.2 Sécurité électrique

- Les fours à micro-ondes Blomberg sont conformes aux normes de sécurité applicables. Par conséquent, en cas de dommage sur l'appareil ou son câble d'alimentation, faites-le réparer ou remplacer par le revendeur, le centre de services, un spécialiste ou des services habilités afin de prévenir tout danger. Des réparations défectueuses et non professionnelles peuvent être sources de danger et de risque pour l'utilisateur.
- Assurez-vous que votre source d'alimentation électrique est conforme aux informations spécifiées sur la plaque signalétique de votre appareil.

Le seul moyen de déconnecter l'appareil de l'alimentation électrique consiste à le débrancher de la prise électrique.

- Utilisez l'appareil uniquement avec une prise de terre.
- N'utilisez jamais l'appareil si le câble d'alimentation ou l'appareil lui-même est endommagé.
- N'utilisez pas de cordon prolongateur avec l'appareil.
- Ne touchez jamais l'appareil ou sa prise avec les mains humides ou mouillées.
- Placez l'appareil de manière à ce que la prise soit toujours accessible.
- Pour éviter d'endommager le câble d'alimentation, évitez de l'aplatir, de le plier ou même de le frotter contre des bords coupants. Éloignez le câble d'alimentation de toute surface brûlante et des flammes.
- Assurez-vous qu'il n'y ait aucun risque de traction accidentelle sur le câble d'alimentation et que personne ne risque de trébucher sur le câble, lorsque l'appareil est en marche.
- Débranchez l'appareil avant chaque nettoyage et lorsque l'appareil n'est pas en cours d'utilisation.
- Ne tirez pas sur le câble d'alimentation de l'appareil pour le débrancher de l'alimentation et n'enroulez jamais le câble d'alimentation tout autour de l'appareil.
- N'immergez pas l'appareil, le câble d'alimentation ou la prise d'alimentation électrique dans de l'eau ou tout autre liquide.

- Ne maintenez pas l'appareil sous l'eau courante.
- Lorsque vous chauffez les aliments dans des récipients en plastique ou en papier, vérifiez en permanence le four en raison de la possibilité d'inflammation.
  - Retirez les fils et poignées métalliques des sacs en papier ou en plastique avant de placer les sacs appropriés pour une utilisation du four à micro-ondes vers le four.
  - Mettez l'appareil hors tension ou débranchez-le et gardez la porte fermée pour éviter toute inflammation si vous observez de la fumée.
  - Ne conservez rien à l'intérieur du four. Ne laissez pas les papiers, le matériel de cuisine ou les aliments à l'intérieur du four lorsqu'il n'est pas utilisé.
  - Remuez et agitez le contenu des biberons et des pots de nourriture pour bébés et vérifiez la température avant la consommation pour éviter des brûlures.
- Cet appareil est un équipement ISM Groupe 2 de Classe B. Le Groupe 2 comprend tous les équipements ISM (Industriel, Scientifique et Médical) dans lesquels l'énergie à radio-fréquences est intentionnellement générée et/ou utilisée sous forme de radiation électromagnétique pour le traitement des matériaux et les équipements d'électroérosion.
  - Les équipements de Classe B conviennent aux installations domestiques et aux installations directement raccordées au réseau d'alimentation électrique à basse tension.
  - La porte ou la surface externe de l'appareil peuvent devenir très chaudes lorsque l'appareil est utilisé.

## 1.3 Sécurité du produit

- Évitez de chauffer les liquides et autres aliments dans des récipients fermés, car cela présente des risques d'explosion.
- Le chauffage des boissons au micro-ondes peut entraîner des éclaboussures lorsqu'elles sont sorties du four ; soyez donc prudent lorsque vous tenez les récipients.

- Ne faites pas de rôtisserie dans le four. De l'huile chaude pourrait endommager les composants et matériaux du four, et même entraîner des brûlures de la peau.
- Percez les aliments à croûte épaisse tels que les pommes de terre, les courgettes, les pommes et les châtaignes.
- Placez l'appareil de sorte que le côté arrière soit face au mur.
- Si la porte ou les joints de porte sont endommagés, n'utilisez pas le four jusqu'à ce qu'il ait été réparé par un technicien spécialisé.
- Avant de déplacer l'appareil, sécurisez le plateau tournant pour ne pas l'endommager.
- N'utilisez pas le four à micro-ondes pour la préparation ou le chauffage des œufs non brouillés, avec ou sans coquille.
- Ne retirez jamais les pièces à l'arrière et sur les côtés de l'appareil, qui garantissent les distances minimales entre les parois de l'armoire et l'appareil, de sorte à permettre la circulation appropriée de l'air.

## 1.4 Utilisation prévue

- N'utilisez pas l'appareil pour un autre usage que celui pour lequel il a été prévu.
  - N'utilisez pas l'appareil comme source de chaleur.
  - Le four à micro-ondes est destiné uniquement à la décongélation, à la cuisson et à la préparation des aliments.
  - Évitez la cuisson excessive des aliments ; cela peut entraîner un incendie.
  - N'utilisez pas de nettoyeurs à vapeur pour le nettoyage de l'appareil.
  - Cet appareil peut être utilisé par les enfants âgés de 8 ans ou plus et par les personnes à capacités physiques, sensorielles ou mentales réduites ou qui n'ont pas les connaissances et l'expérience, tant qu'ils sont surveillés dans l'utilisation sécuritaire du produit ou s'ils sont instruits en conséquence ou comprennent les risques de l'utilisation du produit. Les enfants ne doivent pas jouer avec l'appareil.
- Les procédures de nettoyage et d'entretien par l'utilisateur ne doivent pas être exécutées par les enfants à moins qu'ils soient surveillés par les adultes.

- Danger d'étranglement ! Ne laissez pas les éléments d'emballage à proximité des enfants.
- Ne permettez aux enfants d'utiliser l'appareil sans supervision sauf s'ils ont reçu des instructions appropriées leur permettant d'utiliser le four à micro-ondes de manière sécurisée et de comprendre les risques liés à une utilisation inappropriée.
- En raison des excès de chaleur en mode grill et mixte, les enfants ne doivent être autorisés à utiliser ces modes que s'ils sont supervisés par un adulte.
- Gardez l'appareil et son cordon d'alimentation de sorte qu'ils soient inaccessibles aux enfants âgés de moins de 8 ans.
- L'appareil et ses surfaces accessibles peuvent devenir très chauds lorsque l'appareil est en cours d'utilisation. Tenez-les hors de la portée des enfants.

## 1.5 Conformité avec la directive DEEE et mise au rebut des produits usagés



Ce produit ne contient pas de substances dangereuses et prohibées, telles que décrites dans la « Directive réglementant les déchets d'équipements électriques et électroniques » émanant du Ministère de l'Environnement et de l'Aménagement urbain. Conforme à la Directive DEEE. Cet appareil a été fabriqué avec des pièces et du matériel de qualité supérieure, susceptibles d'être réutilisés aux fins de recyclage.

Par conséquent, à la fin de sa durée de vie, il ne doit pas être mis au rebut aux côtés de déchets domestiques ordinaires. Au contraire, il doit être éliminé dans un point de collecte réservé au recyclage d'appareils électriques et électroniques. Consultez les autorités locales de votre région pour connaître les points de recyclage. Participez à la protection de l'environnement et des ressources naturelles grâce au recyclage des produits usagés.

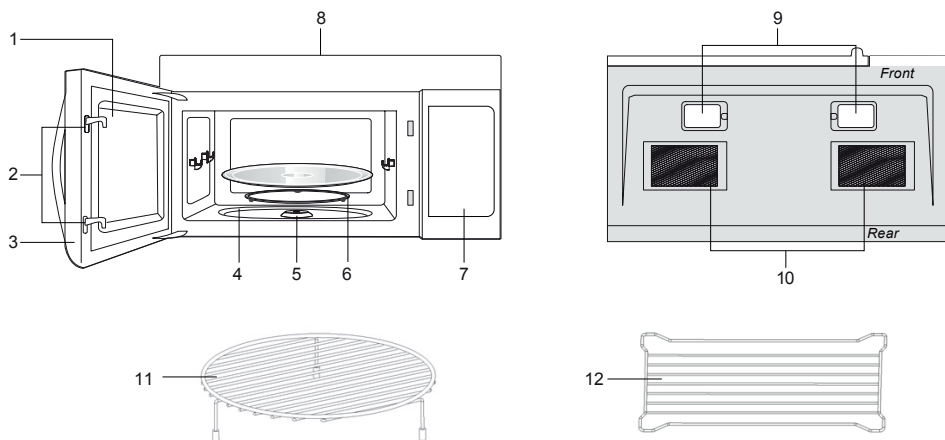
## 1.6 Information sur l'emballage



L'emballage du produit est composé de matériaux recyclables, conformément à notre réglementation nationale. Ne jetez pas les éléments d'emballage avec les déchets domestiques et autres déchets. Déposez-les dans un des points de collecte d'éléments d'emballage que vous indiquera l'autorité locale dont vous dépendez.

## 2 Votre four à micro-ondes à convection à hotte intégrée

### 2.1 Vue d'ensemble



1. Hublot
2. Système de verrouillage
3. Assemblage de porte
4. Anneau du plateau tournant
5. Arbre du plateau tournant
6. Plateau tournant en verre
7. Panneau de commande
8. Orifices de ventilation (au-dessus)
9. Surface lights (Éclairage de surface)
10. Filtres de ventilation
11. Rack métallique (utilisé pour la cuisson par convection et mixte sur le plateau tournant amovible)
12. Grille (utilisée lors de la cuisson au micro-ondes)

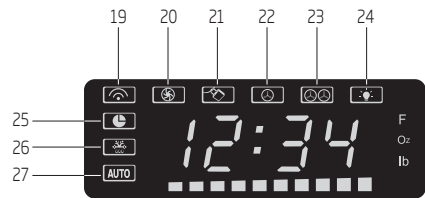
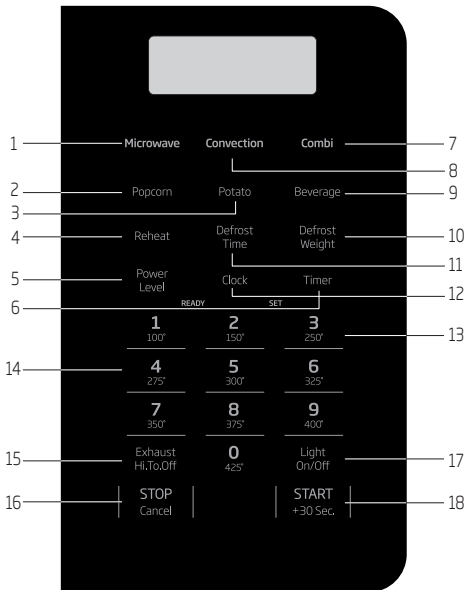
### 2.2 Données techniques

<b>Tension nominale</b>	120 V~ 60 Hz
<b>Puissance nominale de sortie (Micro-ondes)</b>	1 500 W
<b>Puissance nominale de sortie (Micro-ondes)</b>	900 W
<b>Puissance nominale de sortie (cuisson par convection)</b>	1 450 W
<b>Capacité du four</b>	1,5 pied cube (42 l)
<b>Diamètre du plateau tournant :</b>	Ø 13,6 pouces (345 mm) de diamètre
<b>Dimensions externes</b>	29,9 X 15,7 X 15,0 pouces
<b>Poids net</b>	Environ 66,4 lb (30,1 kg)

Les inscriptions sur le produit ou les valeurs indiquées sur la documentation fournie avec le produit sont des valeurs obtenues dans des conditions de laboratoire conformément aux normes en vigueur. Ces valeurs peuvent varier selon l'utilisation de l'appareil et les conditions ambiantes. Les valeurs d'alimentation électrique sont testées à 230 V.

## 3 Fonctionnement

### 3.1 Panneau de commande



1. Microwave (Cuisson au micro-ondes) (p. 17)
2. Popcorn (Maïs soufflé) (p. 22)
3. Potato (Pommes de terre) (1 à 4 pommes de terre) (p. 22)
4. Reheat (Réchauffage) (3 niveaux de réglage) (p.16)
5. Power Level (Niveau de puissance) (10 niveaux de puissance disponibles) (p. 12)
6. Timer (Minuterie) (p. 11)
7. Combination (Cuisson mixte) (p. 13)
8. Convection (Cuisson par convection) (p. 17)
9. Beverage (Boisson) (p. 22)
10. Defrost weight (Poids de dégivrage) (p. 14)
11. Defrost Timer (Minuterie de dégivrage) (p. 14)
12. Clock (Horloge) (p. 11)
13. Easy Set (Réglage facile) (réglage instantané à 3 niveaux) (p. 14)
14. Pavé numérique (0 à 9)
15. Évacuation (Grande vitesse/Faible vitesse/ Arrêt) ~ Utilisée pour mettre en marche le ventilateur, l'arrêter ou régler sa vitesse d'évacuation. (P14)
16. Stop/Cancel (Arrêter/Annuler) (p. 11)
17. Surface Light (Surface d'éclairage) ~ Appuyez sur cette touche pour allumer ou éteindre les surfaces d'éclairage. (P14)
18. START/+30 sec (DÉMARRER/ +30 sec) (p.11)
19. Indicateur de cuisson au micro-ondes
20. Indicateur de cuisson par convection
21. Indicateur de verrouillage
22. Indicateur de ventilateur d'aération à faible vitesse
23. Indicateur de ventilateur d'aération à grande vitesse
24. Indicateur de lampe du four
25. Indicateur de minuterie
26. Indicateur de dégivrage
27. Indicateur de cuisson automatique

## 3 Fonctionnement



Pour plus d'informations, allez à la liste de pages ci-dessus y relative.

### 3.2 Avant l'utilisation

#### Informez-vous sur votre four à micro-ondes



Pour éviter tout risque de blessures ou de dommages matériels, ne faites pas fonctionner le four à micro-ondes à vide.



Pour éviter tout risque de blessures ou de dommages matériels, n'utilisez pas de matériel en grès, de papier d'aluminium, d'ustensiles en métal ou comportant une garniture métallique dans le four à micro-ondes.



N'utilisez pas les produits de papier lors de l'utilisation de Bake brown ou de la combinaison Bake brown avec le four à micro-ondes.

## Guide des ustensiles du four à micro-ondes

Utilisation	N'utilisez pas
<p><b>des récipients en verre résistant à la chaleur (spécialement traités pour une intensité thermique élevée) :</b> Plats utilitaires, plats à pain, assiettes à tarte, assiettes gâteau, verres doseurs, casseroles et les bols sans garniture métallique.</p> <p><b>de la porcelaine :</b> Bols, tasses, assiettes et plats de service sans garniture métallique.</p> <p><b>des matières en plastique :</b> Pellicule plastique (comme une couverture) - étendez la pellicule de plastique librement sur le plat et appuyez sur les côtés. Soulevez doucement un coin de la pellicule plastique pour laisser s'échapper l'excédent de vapeur. Le plat doit être suffisamment profond pour que la pellicule de plastique ne touche pas la nourriture. Utilisez les plats, les tasses, les contenants semi-rigides pour congélateur et les sacs de plastique pour la cuisson rapide. Utilisez-les avec précaution, car le plastique peut ramollir au contact de la nourriture chaude.</p> <p><b>Papier :</b> Essuie-tout, papier ciré, serviettes en papier, assiettes en carton sans garniture ni motif métallique. Vérifiez l'étiquette du fabricant concernant les instructions pour l'utilisation au four à micro-ondes.</p>	<p><b>Ustensiles en métal :</b> Le métal empêche l'énergie des micro-ondes de se diffuser sur les aliments et entraîne une cuisson non homogène. Évitez les brochettes, les thermomètres métalliques ou les plateaux en aluminium. Les ustensiles de métal peuvent provoquer un arc électrique pouvant endommager votre four à micro-ondes.</p> <p><b>Décoration métallique :</b> Bols, tasses, assiettes et plats de service sans garniture métallique.</p> <p><b>Papier d'aluminium :</b> Évitez les grandes feuilles de papier d'aluminium qui peuvent entraver la cuisson et provoquer un arc électrique dangereux. Utilisez de petites feuilles pour protéger les cuisses et les ailes de volaille. Placez LA TOTALITÉ du papier d'aluminium à 1 po au moins des parois intérieures et de la porte du four à micro-ondes.</p> <p><b>Bois :</b> les bols et les planches de bois sèchent et peuvent se fendre ou craquer lorsqu'ils sont utilisés au four à micro-ondes. Les paniers en bois réagissent de la même façon.</p> <p><b>Ustensiles hermétiquement fermés :</b> Veillez à ménager des ouvertures pour laisser la vapeur s'échapper du plat couvert. Avant la cuisson, percez les sachets en plastique contenant des légumes ou d'autres aliments. Des sachets en plastique hermétiquement fermés peuvent exploser.</p> <p><b>Papier brun :</b> N'utilisez pas les sacs en papier brun. En absorbant la chaleur, ils pourraient s'enflammer.</p> <p><b>Ustensiles de cuisine abîmés ou ébréchés :</b> Les ustensiles fendillés, abîmés ou ébréchés peuvent se briser dans le four.</p> <p><b>Attaches métalliques :</b> Retirez les attaches métalliques des sacs en plastique ou en papier. En chauffant, elles pourraient provoquer un incendie</p>

### 3.3 Cuisson manuelle

#### 3.3.1 Réglage de l'horloge

**Exemple :** Pour régler l'horloge à 9:00 :

1. Appuyez **une fois sur la touche Clock (Horloge)** pour afficher AM (matin) et deux fois pour afficher PM (après-midi).
2. Saisissez le temps à l'aide du pavé numérique.
3. Appuyez enfin sur la **touche Clock (Horloge)**.

#### 3.3.2 Réglage de la minuterie

**Exemple :** pour régler la minuterie à 5 minutes :

1. Appuyez une fois sur la touche **Timer** (Minuterie).
2. Saisissez le temps souhaité à l'aide du pavé numérique.
3. Appuyez sur la touche **Timer** (Minuterie).

À la fin de la durée définie, la minuterie émet des bips vous indiquant la fin du décompte.

#### 3.3.3 Verrouillage de commande

Vous pouvez verrouiller le panneau de commande pour éviter que le micro-ondes démarre accidentellement ou qu'il soit utilisé par un enfant.

La fonction de verrouillage de commande est très utile lors du nettoyage du panneau de commande. Le verrouillage empêche la programmation accidentelle durant le nettoyage du panneau de commande.

**Exemple :** Pour ACTIVER le verrouillage de commande :

Appuyez et maintenez la touche **Stop/Cancel (Arrêter/Annuler) enfoncée** pendant plus de 3 secondes. L'icône de verrouillage apparaît dans la fenêtre d'affichage suivie de 2 bips.

**Exemple :** Pour DÉACTIVER le verrouillage de commande :

Appuyez et maintenez la touche **Stop/Cancel (Arrêter/Annuler) enfoncée** pendant plus de 3 secondes. L'icône de verrouillage disparaît de la fenêtre d'affichage.

#### 3.3.4 Utilisation de la touche Stop/Cancel (Arrêter/Annuler)

Cette fonction permet l'annulation ou l'arrêt rapide du processus de cuisson.

Appuyez sur la touche **Stop/Cancel (Arrêter/Annuler)** pour :

1. Supprimer une mauvaise information.
2. Annuler la minuterie.
3. Appuyez une fois sur cette touche pour suspendre temporairement la cuisson. (Appuyez ensuite sur la touche **START/+30 sec (DÉMARRER/+30 sec)** pour poursuivre la cuisson.)
4. Affichez l'heure du jour (horloge) une fois la cuisson terminée.
5. Pour annuler un programme durant la cuisson, appuyez deux fois.

#### 3.3.5 Utilisation de la touche START/+30 sec (DÉMARRER/+30 sec)

Cette fonction permet le démarrage rapide ou l'ajout de 30 secondes.

Appuyez sur la touche **START/+30 sec (DÉMARRER/+30 sec)** pour :

1. Démarrer un programme de cuisson.
2. Démarrer une cuisson de 30 secondes à un niveau de puissance de 100 %.
3. Ajouter des intervalles de 30 secondes au temps de cuisson durant la cuisson au micro-ondes.

**Exemple :** Pour ajouter 1 minute durant une cuisson au micro-ondes à 80 % :

Appuyez deux fois sur la touche **START/+30 sec (DÉMARRER/+30 sec)** .

## 3 Fonctionnement

### 3.3.6 Chauffage à étapes multiples

**Exemple :** Pour chauffer les aliments pendant 5 minutes à une puissance de 100 % :

1. Appuyez sur la touche **Micro**.
2. Utilisez le pavé numérique pour saisir le temps de chauffage souhaité (vous pouvez régler le temps de cuisson jusqu'à 99 minutes et 99 secondes).
3. Appuyez sur la touche **START**.

Une fois le chauffage terminé, vous entendez des bips.

### 3.3.7 Chauffage à des niveaux de puissance inférieurs

L'utilisation du plus haut niveau de puissance lors du chauffage des aliments ne garantit pas les meilleurs résultats, car certains aliments tels que les rôtis, les pâtisseries et les crèmes nécessitent une cuisson plus lente.

Votre four vous offre neuf autres niveaux de puissance au choix.

**Exemple :** pour chauffer les aliments pendant 4 minutes à une puissance de 70% :

1. Appuyez sur la touche **Micro**.
2. Utilisez le pavé numérique pour saisir le temps de chauffage souhaité (vous pouvez régler le temps de cuisson jusqu'à 99 minutes et 99 secondes).
3. Appuyez sur la touche **START**.
4. Appuyez une fois sur la touche **Power Level (Niveau de puissance)** pour sélectionner le niveau de puissance 10 (100 % de puissance).
5. Utilisez les touches numériques pour sélectionner le niveau de puissance 7. **PL7** PL7 s'affiche sur l'écran (70 % de puissance).
6. Appuyez sur la touche **START (DÉMARRER)**.

Une fois le chauffage terminé, vous entendez des bips.

### 3.3.8 Suggestions de niveaux de puissance pour la cuisson

Les 10 niveaux de puissance offerts par ce four à micro-ondes vous permettent de sélectionner la puissance la plus appropriée pour l'aliment que vous cuisinez. Lors d'une cuisson au micro-ondes, il est recommandé de suivre les instructions figurant sur l'emballage de l'aliment.

Le tableau ci-après suggère des niveaux de puissance suivant les types d'aliments à cuire au micro-ondes.

## 3 Fonctionnement

Niveau de puissance	Sortie micro-onde	Utilisez pour :
10 Élevé	100%	<ul style="list-style-type: none"><li>• Ébullition d'eau</li><li>• Cuire la viande de bœuf hachée.</li><li>• Confectionner des friandises.</li><li>• Cuire des fruits et des légumes frais</li><li>• Cuire du poisson et de la volaille.</li><li>• Préchauffer un plat à brunir.</li><li>• Réchauffer des boissons.</li><li>• Cuire des tranches de bacon.</li></ul>
9	90 %	<ul style="list-style-type: none"><li>• Réchauffer rapidement des tranches de viande.</li><li>• Faire sauter des oignons, du céleri et des poivrons verts.</li></ul>
8	80 %	<ul style="list-style-type: none"><li>• Tout réchauffer.</li><li>• Cuire des œufs brouillés</li></ul>
7	70 %	<ul style="list-style-type: none"><li>• Cuire des produits à base de pain et de céréales</li><li>• Cuire des plats au fromage et du veau</li><li>• Gâteaux, muffins, brownies et petits gâteaux.</li></ul>
6	60 %	<ul style="list-style-type: none"><li>• Cuire des pâtes</li></ul>
5	50 %	<ul style="list-style-type: none"><li>• Cuire de la viande et du poulet entier</li><li>• Cuire de la crème-dessert</li><li>• Cuire des côtes levées, une côte de bœuf rôtie et un rôti de surlonge</li></ul>
4	40 %	<ul style="list-style-type: none"><li>• Cuire des coupes de viande moins tendres</li><li>• Réchauffer des aliments emballés congelés</li></ul>
3	30 %	<ul style="list-style-type: none"><li>• Décongeler la viande, la volaille et les fruits de mer</li><li>• Cuire de petites quantités d'aliments</li><li>• Finir de cuire des ragouts et certaines sauces</li></ul>
2	20 %	<ul style="list-style-type: none"><li>• Ramollir le beurre et le fromage à la crème</li><li>• Chauffer de petites quantités d'aliments</li></ul>
1	10 %	<ul style="list-style-type: none"><li>• Ramollir de la crème glacée</li><li>• Faire lever une pâte à la levure</li></ul>

### 3.3.9 Chauffage à étapes multiples

Pour des résultats optimaux, certaines recettes pour four à micro-ondes nécessitent des niveaux de puissance ou des durées de cuisson différents. Vous pouvez régler votre four à micro-ondes de manière à passer d'une étape à l'autre automatiquement (2 étapes maximum).

**Exemple :** pour faire cuire les aliments pendant 3 minutes à une puissance de 80 %, puis à une puissance de 50 % pendant 6 minutes 30 secondes :

1. Appuyez sur **Micro**.
2. Utilisez le pavé numérique pour saisir le temps de chauffage de la 1ère étape (vous pouvez régler le temps de cuisson jusqu'à 99 minutes et 99 secondes).
3. Appuyez une fois sur la touche **Power Level** (Niveau de puissance).
4. Utilisez le pavé numérique pour saisir le niveau de puissance de la 1ère étape. PL7 s'affiche sur l'écran (80 % de puissance).
5. Appuyez sur la touche Pour la 2e étape.

## 3 Fonctionnement

- Utilisez le pavé numérique pour saisir le temps de chauffage de la 2e étape (vous pouvez régler le temps de cuisson jusqu'à 99 minutes et 99 secondes).
- Appuyez sur la touche **Power Level**(Niveau de puissance) pour la 2e étape.
- Utilisez le pavé numérique pour saisir le niveau de puissance de la 2e étape. **PL5 PL7** s'affiche sur l'écran (50 % de puissance).
- Appuyez sur la touche **START (DÉMARRER)**.

Une fois le chauffage terminé, vous entendez des bips.



Programmez toujours le niveau de puissance pour la première étape - 100 % = 10.

### 3.3.10 Suggestions pour de meilleurs résultats

Pour obtenir les meilleurs résultats possibles lors de l'utilisation de votre four à micro-ondes, lisez les suggestions ci-après :

#### • Température de stockage

Les aliments sortis du congélateur ou du réfrigérateur mettent plus de temps à cuire que les mêmes aliments à la température ambiante.

#### • Taille :

Les petits morceaux d'aliments cuisent plus rapidement que les gros. Les morceaux de taille et de forme similaires cuisent uniformément lorsqu'ils sont cuits ensemble. Pour des résultats plus uniformes, réduisez le niveau de puissance lorsque vous faites cuire de gros morceaux d'aliments.

#### • Humidité naturelle

Les aliments très humides cuisent plus uniformément puisque l'énergie du micro-ondes chauffe très efficacement les molécules de l'eau.

#### • Brassage

Brassez les aliments tels que les ragouts et les légumes de l'extérieur vers le centre pour distribuer la chaleur de façon plus uniforme. Cela permet à l'aliment de cuire plus rapidement. Le mélange constant n'est pas nécessaire.

#### • Retourner les aliments

Retournez les aliments tels que les côtelettes de porc, les rôtis ou le chou-fleur entier à mi-cuisson. Cela permet d'exposer tous les côtés de façon uniforme à l'énergie du micro-ondes.

#### • Rangement des aliments

Posez les parties délicates des aliments, comme les pointes d'asperge, vers le centre du plateau tournant.

#### • Disposition des aliments

Posez les aliments de forme uniforme, comme les morceaux de poulet ou le saumon, avec des parties plus épaisses ou plus charnues vers l'extérieur du plateau tournant.

#### • Laissez les aliments reposer

Après avoir retiré l'aliment du micro-ondes, couvrez-le avec le papier d'aluminium ou un couvercle de casserole et laissez-le reposer pour terminer la cuisson. Cela permet à l'aliment de cuire entièrement et empêche les bords extérieurs de trop cuire. La durée du temps de repos dépend de la quantité et du volume des aliments.

#### • Emballage dans des serviettes en papier ou dans du papier ciré

Vous devez emballer les sandwichs et plusieurs autres types d'aliments contenant du pain pré-cuit avant de les poser dans le micro-ondes pour qu'ils ne s'assèchent pas lors du chauffage.

## 3 Fonctionnement

### 3.3.11 Utilisation de la fonction Ready Set (Réglage instantané)

1                      2                      3

Vous pouvez régler rapidement le chauffage ou la cuisson au micro-ondes à 100 % du niveau de puissance pendant 1, 2 ou 3 minutes. Utilisez les touches numériques 1, 2 ou 3 pour sélectionner le nombre de minutes souhaité du temps de cuisson (cette option fonctionne uniquement lorsque vous utilisez les touches numériques 1, 2 ou 3) :

**Exemple :** Pour réchauffer rapidement les aliments pendant 2 minutes à la puissance de 100 % :

Saisissez le temps de cuisson souhaité à l'aide des touches numériques 1, 2 ou 3.



Vous ne pouvez pas régler la fonction Ready Set (Réglage instantané) lors de l'utilisation de la fonction de **dégivrage** (par le poids).

### 3.3.12 Évacuation Grande vitesse/Faible vitesse/Arrêt

La ventilation par aspiration aspire la vapeur et d'autres vapeurs de cuisson de la surface de cuisson en dessous du four à micro-ondes.

Pour actionner le conduit d'évacuation, appuyez sur la touche **High/Low/Off (Grande vitesse/Faible vitesse/Arrêt)** une fois pour activer le réglage de vitesse maximum. Appuyez à nouveau sur cette touche pour sélectionner le réglage de vitesse minimum et une 3e fois pour arrêter la ventilation par aspiration.



Lorsque la température autour du four à micro-ondes est trop chaude, le ventilateur d'évacuation de la hotte aspirante se met automatiquement en marche sur le réglage LOW (FAIBLE) pour refroidir le four. Le ventilateur s'arrête automatiquement lorsque les pièces internes sont froides. Dans ce cas, vous ne pouvez pas éteindre la hotte aspirante.

### 3.3.13 Éclairage de surface Marche / Arrêt

Appuyez sur la touche **Light/On/Off (Éclairage Marche/Arrêt)** une fois pour éclairer une surface de cuisson. Appuyez à nouveau cette touche pour arrêter l'éclairage.

### 3.3.14 Réglage du dégivrage par le poids

**Exemple :** Pour dégivrer un aliment pesant 1 lb avec le niveau de puissance par défaut et un temps de cuisson automatiquement défini :

1. Appuyez une fois sur la touche **Defrost Weight (Dégivrage par le poids)**. **0.0 0.0** s'affiche à l'écran.
2. Utilisez le pavé numérique pour saisir le poids des aliments à dégivrer en livres (10 = 1 lb). Vous pouvez saisir n'importe quel poids compris entre 0,1 et 6 lb. Utilisez le pavé numérique pour saisir le poids des aliments à dégivrer en livres (10 = 1 lb). Vous pouvez saisir n'importe quel poids compris entre 0,1 et 6 lb.
3. Appuyez sur la touche **(DÉMARRER/+ 30 Sec)**.

Une fois le dégivrage terminé, des bips se font entendre.

## 3 Fonctionnement



La valeur de poids saisie doit être valide afin que cette fonction soit activée. Une valeur de poids est valide si elle se situe entre 0,1 et 6,0 livres.

### 3.3.15 Réglage du dégivrage par le temps

**Exemple :** pour dégivrer les aliments à l'aide du niveau de puissance par défaut de 30 % pendant 5 minutes :

1. Appuyez sur la touche (**temps de dégivrage**). **0:00** s'affiche à l'écran.
2. Utilisez le pavé numérique pour saisir le temps de dégivrage souhaité (vous pouvez régler le temps de cuisson jusqu'à 99 minutes et 99 secondes).
3. Appuyez sur la touche **START/+30sec. (DÉMARRER/+ 30 Sec.)**.

Une fois le chauffage terminé, vous entendez des bips.



Il est impossible de modifier les niveaux de puissance des modes Dégivrage par le poids / sur le temps, sinon cela aura des effets négatifs sur la performance de dégivrage.

### 3.3.16 Remarques spéciales concernant le dégivrage par le temps

- Après avoir appuyé sur la touche **START (DÉMARRER)** l'écran affiche le compte à rebours du temps restant de dégivrage. Le four émet deux bips pendant le cycle de dégivrage. À ce signal, ouvrez la porte et tournez les aliments si nécessaire. Ensuite, retirez toute portion déjà dégelée. Appuyez sur la touche **START (DÉMARRER)** pour poursuivre le cycle de dégivrage.

- Une fois le chauffage terminé, vous entendez des bips.

### 3.3.17 Conseils sur le dégivrage

- Lorsque vous utilisez la fonction Dégivrage par le poids, le poids saisi doit toujours être en livres (les entrées valides doivent être comprises entre 0,1 et 6 livres).
- Utilisez les fonctions Dégivrage par le poids et Dégivrage par le temps pour les aliments crus uniquement. Pour de meilleurs résultats de dégivrage, les aliments à décongeler doivent être à une température minimale de 0 °F (venant directement d'un vrai congélateur). Si les aliments à dégivrer sont conservés dans un réfrigérateur/congélateur qui ne maintient pas une température inférieure ou égale à 5 °F, programmez toujours un poids des aliments inférieur ou un temps de dégivrage inférieur afin d'éviter de cuire les aliments.
- Si les aliments congelés sont entreposés à l'extérieur du congélateur pour une durée allant jusqu'à 20 minutes, saisissez un temps ou un poids inférieur.
- La forme de l'emballage influe sur le temps de décongélation. Les emballages rectangulaires peu épais décongèlent plus rapidement qu'un bloc de nourriture épais.
- Séparez les morceaux lorsqu'ils commencent à décongeler. Les parties séparées décongèlent plus facilement.
- Recouvrez les parties chaudes avec de petits morceaux de papier d'aluminium si elles commencent à chauffer.

## 3 Fonctionnement

- Vous pouvez utiliser de petits morceaux de papier d'aluminium pour recouvrir les aliments comme les ailes de poulet, les morceaux de cuisse et les queues de poisson. Veillez toutefois à ne pas laisser le papier toucher les parois intérieures du four lors de la décongélation.

### 3.3.18 Suggestions pour la décongélation des viandes

Pour obtenir de meilleurs résultats, veuillez lire ces suggestions pour la décongélation des viandes.

Viande	Quantité normale	Suggestions
• Rôti de bœuf ou de porc	2,5 à 6 lb. (40 à 96 oz)	Commencez par les aliments et placez le côté gras en dessous. Après chaque étape, retournez complètement les aliments et protégez les morceaux chauds à l'aide de bandes fines de papier d'aluminium. Laissez-les reposer et recouverts pendant 15 à 30 minutes.
• Steaks, côtelettes ou poissons	0,5 à 3 lb. (8 à 48 oz)	Après chaque étape, remuez les aliments. S'il y a des morceaux d'aliments tièdes ou décongelés, recouvrez-les à l'aide de morceaux fins et plats de papier d'aluminium. Retirez les aliments qui sont presque décongelés. Laissez-les reposer et recouverts pendant environ 5 à 10 minutes.
• Viande hachée	0,5 à 3 lb. (8 à 48 oz)	Après chaque étape, retirez les aliments qui sont presque décongelés. Laissez-les reposer, recouverts de papier d'aluminium pendant 5 à 10 minutes.
• Poulet entier	2,5 à 6 lb. (40 à 96 oz)	Retirez les abats avant de congeler la volaille. Commencez le dégivrage en positionnant la volaille avec la poitrine vers le bas. Une fois la 1ère étape terminée, retournez complètement le poulet et protégez les morceaux tièdes à l'aide de bandes fines de papier d'aluminium. Une fois la 2e étape terminée, protégez à nouveau les morceaux chauds à l'aide de bandes fines de papier d'aluminium. Laissez-les reposer et recouverts pendant 30 à 60 minutes dans le réfrigérateur.
• morceaux de poulet	0,5 à 3 lb. (8 à 48 oz)	Après chaque étape, arrangez à nouveau ou retirez tous les aliments qui sont presque décongelés. Laissez-les reposer pendant 10 à 20 minutes.

## 3 Fonctionnement

### 3.3.19 Réchauffage

La fonction de réchauffage fournit 3 réglages prédéfinis basés sur une portion déterminée pour vous simplifier la vie.

**Exemple :** Pour réchauffer 24 onces d'aliments.

1. Appuyez 3 fois sur la touche **Reheat (Réchauffage)** pour réchauffer 24 Oz d'aliments. **Le message 24 Oz** s'affiche (consultez le tableau des catégories de réchauffage).
2. Appuyez sur la touche **START (DÉMARRER)**.

Catégorie Réchauffage	Appuyez	Écran
8 onces d'aliments	une fois	8 oz
16 onces d'aliments	deux fois	16 oz
24 onces d'aliments	3 fois	24 oz

### Suggestions pour le réchauffage des aliments

Réchauffage	Indications	Quantités
Assiette à dîner	Utilisez uniquement des produits alimentaires précuits ou réfrigérés. Recouvrez l'assiette à l'aide d'une pellicule plastique perforée, du papier ciré coincé(e) sous l'assiette. Si les aliments ne sont assez chauds à votre convenance après le chauffage en mode <b>Réchauffage</b> , poursuivez le chauffage en utilisant le temps manuel et les réglages de niveau de puissance. Table des matières : <ul style="list-style-type: none"><li>• 3-4 oz de viande, de volaille, ou de poisson (maximum 6 oz avec os)</li><li>• ½ tasse de féculé (pommes de terre, pâtes alimentaires, riz, etc.)</li><li>• ½ tasse de légumes (environ 3-4 oz)</li></ul>	1 personne (1 plaque)
Casserole Pâtes alimentaires	Recouvrez l'assiette à l'aide d'un couvercle ou d'une pellicule plastique perforée. Si les aliments ne sont assez chauds à votre convenance après le chauffage en mode Réchauffage, poursuivez le chauffage en utilisant le temps manuel et les réglages de niveau de puissance. Remuez les aliments une fois avant de servir. Table des matières : <ul style="list-style-type: none"><li>• Ragouts-produits alimentaires réfrigérés (par exemple ragout de bœuf ou lasagnes)</li><li>• Pâtes alimentaires-Spaghettis en conserve et raviolis, produits alimentaires réfrigérés.</li></ul>	1 à 4 personnes

### 3.3.20 Cuisson par convection

Le four comporte dix températures par convection : 100 °F, 150 °F, 250 °F, 275 °F, 300 °F, 375 °F, 400 °F, 425 °F.

La cuisson par convection utilise un élément de chauffage pour élever la température de l'air à l'intérieur du four. Vous pouvez régler toute forme de température du four entre 100 °F et 425 °F. Un ventilateur fait circuler doucement cet air chaud dans le four, sur les aliments et autour de ceux-ci, pour les dorer parfaitement de l'extérieur et les rendre humide de l'intérieur.

Étant donné que l'air chauffé est maintenu constamment en mouvement, ne laissant pas une couche d'air plus froid se former autour des aliments, ces derniers cuisent plus vite que dans un four traditionnel.

#### Suggestions pour de meilleurs résultats

Utilisez toujours la grille lors de la cuisson par convection. Réduisez la température de surface/cuisson de 25 °F pour les produits de boulangerie. La grille est nécessaire pour une bonne circulation de l'air et même pour le brunissage.

Consultez la section Conseils sur l'utilisation des ustensiles de cuisson (P20) pour des informations sur les ustensiles de cuisson suggérés.

#### Utilisation de la fonction CONVECTION avec le préchauffage

**Exemple :** Pour la cuisson des aliments pendant 5 minutes à 250 °F avec la fonction avec le préchauffage

1. Appuyez une fois sur la touche CONV.
2. Appuyez sur la touche de température pour sélectionner la température souhaitée. Ne saisissez pas le temps de cuisson immédiatement. (Saisissez le temps de cuisson plus tard après le préchauffage du four.)
3. Appuyez sur la touche pour démarrer le préchauffage. (Un signal est émis une fois que le four est préchauffé.)

4. Placez les aliments dans le four. Appuyez sur les touches numériques pour régler le temps de cuisson (si vous ne saisissez le temps de cuisson dans les 5 minutes, le four s'éteint automatiquement.)

5. Appuyez sur la touche pour commencer la cuisson. À la fin de la cuisson, le four émet un signal et s'éteint.

#### Utilisation de la fonction CONVECTION sans le préchauffage

**Exemple :** Pour la cuisson des aliments pendant 5 minutes à 250 °F avec la fonction sans le préchauffage

1. Si votre recette ne nécessite pas un préchauffage, appuyez une fois sur la touche **CONV.**
2. Appuyez sur la touche de température pour sélectionner la température souhaitée.
3. Appuyez sur la touche **CONV.** pour confirmer la température.
4. Appuyez sur les touches numériques pour régler le temps de cuisson.
5. Appuyez sur la touche « **Start/+SEC. » (Démarrer/+30 Sec)** pour lancer le four.

### 3.3.21 Cuisson mixte

La cuisson mixte offre les meilleures caractéristiques en termes d'énergie des micro-ondes et de la cuisson par convection. Les micro-ondes font cuire les aliments rapidement et la circulation par convection de l'air chauffé les dore parfaitement. Vous pouvez régler les températures du four entre 100 °F et 425 °F.

#### Suggestions pour de meilleurs résultats

Utilisez toujours la grille lors de la cuisson mixte. La grille est nécessaire pour une bonne circulation de l'air et même pour le brunissage.

Consultez la section Conseils sur l'utilisation des ustensiles de cuisson (P20) pour des informations sur les ustensiles de cuisson suggérés.

## 3 Fonctionnement

### 3.3.22 Cuisson mixte dans un four à micro-ondes + par convection

**Exemple :** Pour la cuisson des aliments pendant 5 minutes avec la cuisson.

1. Appuyez une fois sur la touche **COMBI**.
2. Appuyez sur les touches numériques pour régler le temps de cuisson.
3. Appuyez sur la touche pour démarrer la cuisson.



Reportez-vous à la section Conseils sur l'utilisation des ustensiles de cuisson lors de la cuisson mixte.



N'utilisez pas d'ustensiles métalliques lors de la cuisson mixte.



Placez la viande contenue dans un plat en verre sur une grille afin de recueillir le jus et prévenir les éclaboussures.



Pour un rôtissage et un brunissage excellents, faites cuire les viandes entières rôties dans un plat en verre placé directement sur la grille de four.



Pour les aliments qui sont trop larges pour suffire dans le four, n'utilisez pas la grille. Le cas échéant, retirez la grille du four et placez le plat directement sur le plateau tournant.

- Évitez d'ouvrir la porte du four pendant la cuisson - chaque fois que la porte est ouverte, le four perd de la chaleur et cela peut provoquer une cuisson non homogène.

### 3.3.23 Cuisson par convection

- Utilisez la grille pendant la cuisson par convection.
- Faites toujours préchauffer le four avant la cuisson par convection.

## 3 Fonctionnement

### Biscuits et pain

Type	Température	Durée	Remarques
Biscuits	400°F	De 20 à 30 minutes	Les biscuits et produits alimentaires réfrigérés en conserve prennent moins de 2 à 4 minutes.
Muffins	350°F	15 à 20 minutes	Retirez immédiatement le moule et placez-le sur une grille de refroidissement.
Pain aux dattes ou aux fruits	350°F	De 55 à 70 minutes	
Pain	350°F	De 55 à 65 minutes	
Petits pains sucrés	350°F	De 40 à 50 minutes	Plaque à pâtisserie légèrement graissée.

### Gâteaux

Type	Température	Durée	Remarques
Gâteau au fromage	350°F	De 65 à 75 minutes	Une fois la cuisson terminée, ouvrez légèrement la porte du four et laissez reposer le gâteau au fromage dans le four pendant 30 minutes.
Gâteau au café	350°F	De 30 à 40 minutes	
Petits gâteaux	350°F	De 20 à 30 minutes	
Cake aux fruits	350°F	De 85 à 95 minutes	
Pain d'épices	350°F	De 40 à 45 minutes	

## 3 Fonctionnement

### 3.3.24 Cuisson mixte

La cuisson mixte permet de dorer et de rendre les aliments croustillants.

Type	Quantité	Durée	Remarques
Hamburgers	4oz	16-19 minutes pour deux personnes	Placez-les sur un plat résistant aux micro-ondes, faites égoutter la graisse et retournez-les à mi-cuisson.
Rôti de croupe de bœuf	1,0kg	Saignant : 15 à 20 minutes Moyen : De 21 à 25 minutes Cuit à point : 26 à 30 minutes	Placez la partie grasse vers le bas sur la grille inférieure, assaisonnez et recouvrez, si nécessaire. Une fois la cuisson terminée, laissez reposer pendant 15 minutes.
Rôti d'agneau, roulé ou sans os	1,0kg	Saignant : 15 à 20 minutes Moyen : De 21 à 25 minutes Cuit à point : 26 à 30 minutes	Placez la partie grasse vers le bas sur la grille inférieure, badigeonnez de marinade et assaisonnez et recouvrez, si nécessaire. Une fois la cuisson terminée, laissez reposer pendant 15 minutes.
Porc	2 côtelettes	Saignant : De 13 à 17 minutes Moyen : De 18 à 23 minutes Cuit à point : De 24 à 29 minutes	Placez-les sur la grille supérieure, badigeonnez de marinade et assaisonnez. Faites cuire jusqu'à ce que l'intérieur de la viande perde sa teinte rosée ou que la température interne atteigne 170 °F. Retournez à mi-cuisson. Une fois la cuisson terminée, recouvrez d'un film et laissez reposer pendant 5 minutes.
Porc	4 côtelettes	Saignant : 15 à 19 minutes Moyen : 20 à 25 minutes Cuit à point : De 26 à 32 minutes	Placez-les sur la grille supérieure, badigeonnez de marinade et assaisonnez. Faites cuire jusqu'à ce que l'intérieur de la viande perde sa teinte rosée ou que la température interne atteigne 170 °F. Retournez à mi-cuisson. Une fois la cuisson terminée, recouvrez d'un film et laissez reposer pendant 5 minutes.
Longe de porc, rôtie roulée ou sans os	1,0kg	Saignant : 20 à 25 minutes Moyen : 26 à 30 minutes Cuit à point : De 30 à 35 minutes	Placez la partie grasse vers le bas sur la grille inférieure, assaisonnez et recouvrez, si nécessaire. Une fois la cuisson terminée, recouvrez d'un film et laissez reposer pendant 15 minutes.
Poitrines de poulet	1 lb	De 16 à 26 minutes	Lavez et flambez la viande, retirez la peau, placez ensuite la partie la plus épaisse à l'extérieur sur la grille supérieure.
Portions de poulet sans os	1 lb	De 13 à 24 minutes	Placez-les sur la grille supérieure, badigeonnez de beurre et assaisonnez, si nécessaire. Retournez à mi-cuisson. Faites cuire jusqu'à ce que l'intérieur de la viande perde sa teinte rosée ou que le jus qui s'égoutte devienne clair. Une fois la cuisson terminée, recouvrez d'un film et laissez reposer pendant 3 à 5 minutes.
Poulet entier	1,3kg	25 - 40 minutes	Lavez et flambez le poulet, placez ensuite la poitrine vers le bas sur la grille inférieure, badigeonnez de beurre et assaisonnez, si nécessaire. Retournez à mi-cuisson et faites égoutter. Faites cuire jusqu'à ce que l'intérieur de la viande perde sa teinte rosée ou que le jus qui s'égoutte devienne clair. Une fois la cuisson terminée, recouvrez d'un film et laissez reposer pendant 10 minutes. Assurez-vous que la température à l'intérieur est d'environ 185 °F.

## 3 Fonctionnement

### 3.3.25 Conseils sur l'utilisation des ustensiles de cuisson

#### Cuisson par convection

Il est recommandé d'utiliser les lèchefrites en métal pour tous les types de pâtisserie, surtout lorsque le brunissage ou la formation de croûte deviennent importants.

Les lèchefrites en métal à revêtement foncé ou terne sont meilleures pour les pains et les tartes, car ils absorbent la chaleur et rendent les pains et les tartes plus croustillants.

Les casseroles en aluminium brillant sont meilleures pour les gâteaux, les biscuits ou les muffins parce qu'elles reflètent la chaleur et permettent d'obtenir une croûte légère et tendre.

Les casseroles ou les plats de cuisson en verre ou en vitrocéramique sont appropriés pour les recettes à base d'œufs ou de fromage en raison de la nettoyabilité du verre.

#### Cuisson mixte

Les récipients de cuisson en verre ou en vitrocéramique sont recommandés. Assurez-vous de ne pas utiliser des articles comportant une garniture métallique, car ils peuvent provoquer un arc électrique (étincelles) au niveau des parois ou de la grille du four, endommageant ainsi les ustensiles de cuisine, la grille ou le four.

Vous pouvez utiliser les ustensiles de cuisine Plastimicrowave résistants à la chaleur (sûr à 450 °F), mais ils ne sont pas recommandés pour les aliments nécessitant une formation de croûte ou un brunissage tout autour, parce que le plastique est un mauvais conducteur de chaleur.

Ustensiles de cuisine	Micro-ondes	Cuisson au four/brunissage	Mixte
Verre résistant à la chaleur, vitrocéramique (Pyrex®, Fire King®, Corning Ware®, etc.)	Oui	Oui	Oui
Métallique	Non	Oui	Non
Verre non résistant à la chaleur	Non	Non	Non
Ustensiles en plastiques micro-ondables	Oui	Non	Oui
Films et pellicules en plastique	Oui	Non	Non
Produits en papier	Oui	Non	Non
Osier, paille et bois	Oui	Non	Non

- Utilisez uniquement des ustensiles de cuisine pour micro-ondes pouvant résister à 450 °F.

### 3 Fonctionnement

#### Sélectionnez le meilleur mode de cuisson.

Utilisez le guide suivant pour la sélection du meilleur mode de cuisson. Vous pouvez adapter des recettes spécifiques à n'importe quel mode de cuisson.

① – Meilleur mode

② – Autre mode

**N/R** – Non recommandé

Aliments	Micro-ondes	Mixte	Cuisson au four/brunissage
Apéritifs			
Trempettes et tartinades	①	<b>N/R</b>	<b>N/R</b>
Pâtisseries/Encas	②	①	②
Boissons	①	<b>N/R</b>	<b>N/R</b>
Sauces et garnitures	①	<b>N/R</b>	<b>N/R</b>
Soupes et ragouts	①	②	<b>N/R</b>
Viandes			
Décongélation	①	<b>N/R</b>	<b>N/R</b>
Rôtissage	②	①	②
Volaille			
Décongélation	①	<b>N/R</b>	<b>N/R</b>
Rôtissage	②	①	②
Poissons et fruits de mer			
Décongélation	①	<b>N/R</b>	<b>N/R</b>
Cuisson	①	②	<b>N/R</b>
Ragouts	②	①	②
Œufs et fromage			
Brouillés, omelettes	①	<b>N/R</b>	②
Quiche, soufflé	②	②	①
Légumes (frais)	①	<b>N/R</b>	<b>N/R</b>
Pain			
Rapide	②	①	②
Levure	<b>N/R</b>	②	①
Muffins, gâteau au café	②	①	②

### 3 Fonctionnement

Desserts			
Gâteaux, couches et kouglof	②	①	②
Gâteaux des anges et chiffon	N/R	N/R	①
Crème anglaise et pudding	①	N/R	N/R
Barres et cookies	②	①	②
Fruit	①	N/R	N/R
Tartes et pâtisserie	N/R	②	①
Confiseries	①	N/R	N/R
Blanchiment de légumes	①	N/R	N/R
Aliments congelés au choix	①	②	②

#### Popcorn



NE LAISSEZ PAS le four à micro-ondes sans surveillance lors de l'éclatement du maïs.

La fonction Maïs soufflé permet de cuire 3 tailles différentes d'emballages commerciaux de maïs soufflé. Consultez le tableau ci-dessous pour connaître le réglage à utiliser.

Quantités	Appuyez sur la touche popcorn (Maïs soufflé)
1,75 oz (réglages par défaut)	une fois
3,00 oz	2 fois
3,5 oz	3 fois

**Exemple :** Pour éclater automatiquement un sac de 3 oz de maïs.

1. Appuyez sur la touche **Popcorn (Maïs soufflé)** (1, 2 ou 3 fois - consultez le tableau ci-dessus pour modifier la taille du sac).
2. Appuyez sur la touche **START (DÉMARRER)**.

Une fois terminé, le four à micro-ondes émet des bips.

#### Pomme de terre

La fonction Potato (Pomme de terre) permet de cuire automatiquement 1, 2 ou 3 ou 4 (le temps de cuisson est basé sur un poids de 8 à 24 oz) pommes de terre. Consultez le tableau ci-dessous pour connaître le réglage à utiliser.

Quantités	Appuyez sur la touche potato (Pomme de terre)
1 pomme de terre (réglages par défaut)	une fois
2 pommes de terre	2 fois
3 pommes de terre	3 fois
4 pommes de terre	4 fois

**Exemple :** Pour cuire automatiquement 1 pomme de terre.

1. Appuyez sur la touche **Potato (Pomme de terre)** (1, 2, 3 ou 4 fois - consultez le tableau ci-dessus pour modifier la quantité).
2. Appuyez sur la touche **START (DÉMARRER)**.

Une fois terminé, le four à micro-ondes émet des bips.



Avant la cuisson, percez les pommes de terre avec la fourchette à plusieurs reprises.

## 3 Fonctionnement



Une fois la cuisson terminée, laissez reposer les pommes de terre pendant 5 minutes.

### Boissons

La fonction Beverage (Boissons) permet de chauffer 1, 2 ou 3 tasses de boisson. Consultez le tableau ci-dessous pour connaître le réglage à utiliser.

Quantités	Appuyez sur la touche beverage (Boisson)
1 tasse (environ 8 oz)	une fois (réglages par défaut)
2 tasses (environ 16 oz)	2 fois
3 tasses (environ 24 oz)	3 fois

**Exemple :** Pour réchauffer 1 tasse de boisson

1. Appuyez sur la touche **Beverage (Boissons)** (1, 2 ou 3 fois - consultez le tableau ci-dessus pour modifier le nombre de portions).
2. Appuyez sur la touche **START (DÉMARRER)**.

Une fois terminé, le four à micro-ondes émet des bips.

## 3.4 Cuisson automatique

### Suggestions pour une cuisson pratique

Catégorie Confort	Quantités	Suggestions
Popcorn	1,75, 3,0, 3,5 oz 1 pkg.	Faites cuire un seul sac de maïs « microwave-only » (uniquement au micro-ondes) à la fois. Faites attention lorsque vous retirez le sac de maïs du four et l'ouvrez. Laissez le micro-ondes refroidir pendant au moins 5 minutes avant de l'utiliser à nouveau.
Pommes de terre	1, 2, 3, 4 pommes de terre pour 8, 16, 24 ou 32 oz.	Percez chaque pomme de terre à plusieurs reprises à l'aide d'une fourchette. Placez-les sur le plateau tournant à la manière de rayons d'une roue. Une fois la cuisson terminée, laissez reposer les pommes de terre pendant 3 à 5 minutes. Laissez le four à micro-ondes refroidir pendant au moins 5 minutes avant de l'utiliser à nouveau. Utilisez la touche <b>start/+30sec</b> (démarrer/ajouter 30 sec.) afin d'augmenter le temps de cuisson pour les grandes pommes de terre.
Boissons	1, 2, 3 tasses (8 oz, 16 oz, 24 oz)	Utilisez un verre doseur ou un mug micro-ondable ; ne le recouvrez pas. Placez la boisson dans le four à micro-ondes. Après chauffage, remuez correctement. Laissez le four à micro-ondes refroidir pendant au moins 5 minutes avant de l'utiliser à nouveau. Les boissons chauffées dans la catégorie Boisson peuvent être très chaudes. Retirez le récipient avec précaution.

## 3.5 Tableaux de cuisson

### 3.5.1 Cuisson de la viande dans votre four à micro-ondes

Assurez-vous de bien disposer la viande préparée sur la grille de rôtissage d'un plat allant au four à micro-ondes. Commencez à cuire la viande avec le côté gras vers le bas. Au besoin, utilisez des bandes de papier d'aluminium étroites pour protéger les parties osseuses ou peu charnues. Après la cuisson, vérifiez la température à plusieurs endroits avant de laisser la viande reposer durant la période recommandée. Veuillez noter que les températures indiquées dans les tableaux suivants sont celles des morceaux de viande à la sortie du four. Cette température augmente pendant le temps de repos.

Viande	Niveau de puissance	Temps de cuisson	Indications
• Rôti de bœuf sans os (maximum 4 lb)	Élevé (10) pendant les premières 5 minutes, puis moyen (5)	12-17 min/lb pour 160 °F (Moyen)	Placez la partie grasse du bœuf à rôtir vers le bas sur la grille de rôtissage. Couvrez avec du papier ciré. Retournez à mi-cuisson. Laissez reposer* pendant 10 à 15 minutes.
		14-19 min/lb pour 170 °F (Cuit à point)	
• Rôti de porc sans ou avec os (maximum 4 lb)	Élevé (10) pendant les premières 5 minutes, puis moyen (5)	15-20 min/lb pour 170 °F (Cuit à point)	Placez la partie grasse du porc à rôtir vers le bas sur la grille de rôtissage. Couvrez avec du papier ciré. Retournez à mi-cuisson. Laissez reposer* pendant 10 à 15 minutes.

- La température peut augmenter de 10 °F au cours de la période de repos.

Viande	C u i s s o n souhaitée	Retirez du four	Après avoir laissé au repos (10-15 min)
• Bœuf	Moyen Cuit à point	150 °F 160 °F	150 °F 160 °F
• Porc	Moyen Cuit à point	150 °F 160 °F	150 °F 160 °F
• Volaille	Viande brune Viande blanche	170 °F 160 °F	170 °F 160 °F

## 3 Fonctionnement

### 3.5.2 Cuisson de la volaille dans votre four à micro-ondes

Assurez-vous de bien disposer la volaille préparée sur la grille de rôtissage d'un plat allant au four à micro-ondes. Recouvrez la volaille avec du papier ciré pour empêcher les éclaboussures. Recouvrez les parties osseuses ou peu charnues, ou celles qui commencent à trop cuire, avec des bandes de papier d'aluminium étroites. Après la cuisson, vérifiez la température à plusieurs endroits avant de laisser la viande reposer durant la période recommandée.

Volaille	Temps de cuisson / niveau de puissance	Indications
• Poulet entier (maximum 4 lb)	Temps de cuisson : 7-10 min/lb Viande brune- 180 °F Viande brune- 170 °F Niveau de puissance : moyen-élevé (7)	Placez la poitrine du poulet vers le bas sur la grille de rôtissage. Couvrez avec du papier ciré. Retournez à mi-cuisson. Cuisinez jusqu'à ce que le jus qui s'en écoule soit clair et que la viande près de l'os ne soit plus rose. Laissez reposer 5 à 10 minutes.
• morceaux de poulet (maximum 4 lb)	Temps de cuisson : 7-10 min/lb Viande brune- 180 °F Viande brune- 170 °F Niveau de puissance : moyen-élevé (7)	Positionnez les poulets avec les parties osseuses dirigées vers le bas du récipient, et les parties épaisses vers l'intérieur de celui-ci. Couvrez avec du papier ciré. Retournez à mi-cuisson. Cuisinez jusqu'à ce que le jus qui s'en écoule soit clair et que la viande près de l'os ne soit plus rose. Laissez reposer 5 à 10 minutes.

### 3.5.3 Cuisson des œufs dans votre four à micro-ondes

- Ne cuisez jamais d'œufs dans leur coquille et ne réchauffez jamais d'œufs durs non écalés, ils pourraient exploser.
- Percez toujours les œufs entiers pour les empêcher d'éclater.
- Ne dépassez jamais le temps de cuisson indiqué, car vos œufs durcissent lorsqu'ils sont trop cuits.

### 3.5.4 Cuisson des légumes dans votre four à micro-ondes

- Lavez les légumes avant la cuisson. Il est rare de devoir ajouter de l'eau. S'il s'agit de légumes compacts comme les pommes de terre, les carottes et les légumes verts, ajoutez environ  $\frac{1}{4}$  tasse d'eau.
- Les petits légumes (carottes en rondelles, pois, haricots de Lima, etc.) cuisent plus vite que les plus gros.

## 3 Fonctionnement

- Disposez les légumes entiers, comme les pommes de terre, la courge poivrée ou le maïs en épis en cercle sur le plateau tournant avant la cuisson. Ils cuisent de manière plus uniforme s'ils sont retournés pendant la cuisson.
- Disposez toujours la tige des légumes comme les asperges et le brocoli vers les parois du plat, et la tête vers le centre.
- Lors de la cuisson de légumes coupés, couvrez toujours le plat avec un couvercle ou une pellicule plastique micro-ondable laissant passer l'air.
- Avant la cuisson, percez à plusieurs endroits la peau des légumes entiers et non épluchés comme les pommes de terre, les courges et les aubergines, pour les empêcher d'éclater.
- Pour une cuisson plus uniforme, mélangez les légumes à mi-cuisson ou changez leur disposition.
- En général, plus l'aliment est compact, plus le temps de repos est long. Par exemple, il faut attendre 5 minutes avant de servir des pommes de terre cuites tandis que des petits pois peuvent être consommés immédiatement.

### 3.5.5 Cuisson des fruits de mer dans votre four à micro-ondes

Placez le poisson sur la grille de rôtissage d'un plat allant au four à micro-ondes. Cuisez le poisson jusqu'à ce qu'il s'émiette facilement avec une fourchette. Pour cuire le poisson à la vapeur, utilisez un couvercle qui couvre bien. Couvrez avec une feuille de papier ciré ou un essuie-tout si vous voulez moins de vapeur. Veillez à ne pas trop cuire le poisson. Vérifiez la cuisson au temps de cuisson minimum avant de continuer.

## 3 Fonctionnement

Fruits de mer	Temps de cuisson / niveau de puissance	Indications
Steaks de poisson Jusqu'à 1½ lb.	Temps de cuisson : 7-11 min. /lb. Niveau de puissance : moyen-élevé (7)	Disposez le poisson sur le support de cuisson avec les parties charnues orientées vers l'extérieur. Couvrez avec du papier ciré. Retournez et disposez à nouveau à mi-cuisson. Cuisinez jusqu'à ce que le poisson se défasse facilement à la fourchette Laissez reposer 3 à 5 minutes.
Filets de poisson Jusqu'à 1½ lb.	Temps de cuisson : 4-8 min. /lb. Niveau de puissance : moyen-élevé (7)	Disposez les filets dans le moule, en posant les morceaux épais en dessous. Couvrez avec du papier ciré. S'ils dépassent un demi-pouce d'épaisseur, retournez et disposez à nouveau à mi-cuisson. Cuisinez jusqu'à ce que le poisson se défasse facilement à la fourchette Laissez reposer 2 à 3 minutes.
Crevettes Jusqu'à 1½ lb.	Temps de cuisson : 4-6½ min./lb. Niveau de puissance : moyen-élevé (7)	Disposez les crevettes dans un moule sans chevauchement ni superposition. Couvrez avec du papier ciré. Faites-les cuire jusqu'à ce qu'elles deviennent fermes et opaques, en remuant 2 ou 3 fois. Laissez reposer 5 minutes.

### 3.6 Mode démonstration

Lorsque le four est électrifié pendant une minute, pour la démonstration, appuyez sur la touche « POPCORN » deux fois et maintenez-la enfoncée pendant 6 secondes. Le message « DE » s'affiche à l'écran. L'alarme sonore retentit deux fois.

Pour annuler, appuyez sur la touche « POPCORN » deux fois et maintenez-la enfoncée pendant 6 SECONDES. Le message « End » s'affiche à l'écran et l'alarme sonore retentit deux fois. Il serait plus facile de débrancher le four de la prise électrique.

## 4 Nettoyage et entretien

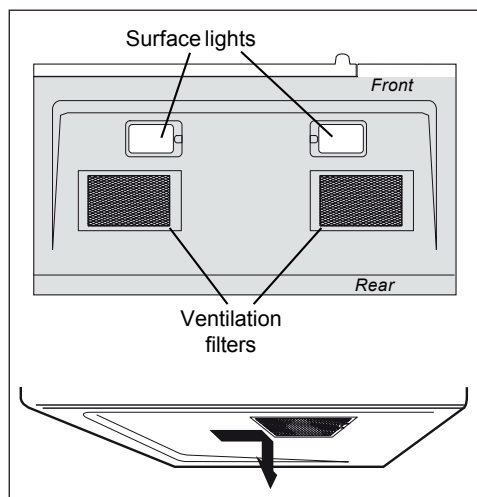
Débranchez câble d'alimentation avant le nettoyage ou laissez la porte ouverte pour désactiver le four durant le nettoyage.

### 4.1 Nettoyage des filtres d'évacuation

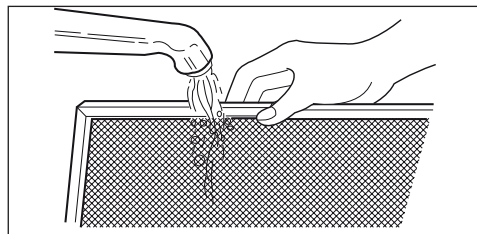
Vous devez retirer et nettoyer les filtres d'évacuation du four régulièrement, en général une fois par mois.



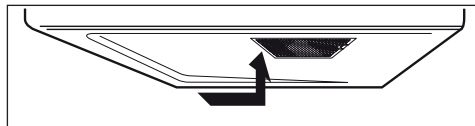
Pour éviter tout risque de blessures ou de dommages matériels, évitez d'utiliser la hotte du four sans les filtres correctement en place.



1. Pour retirer les filtres d'évacuation, faites glisser le filtre vers l'arrière. Tirez ensuite le filtre vers le bas, puis poussez du côté opposé. Le filtre est retiré. Répétez l'opération pour le second filtre.



2. Faites tremper les filtres d'évacuation dans de l'eau chaude avec un détergent doux. Rincez bien et secouez pour faire sécher ou lavez dans un lave-vaisselle. **Ne nettoyez pas avec de l'ammoniaque. L'aluminium du filtre risque de se corroder et de s'assombrir.**



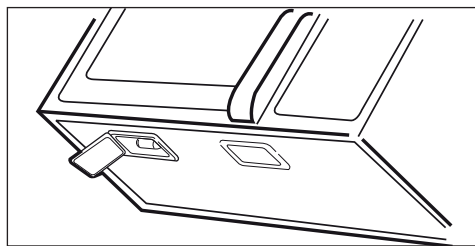
3. Pour réinstaller le filtre d'évacuation, glissez-le dans la fente latérale, puis poussez-le vers le haut, en direction du four pour le verrouiller. Réinstallez le second filtre en suivant la même procédure.

### 4.2 Remplacement de la lumière de surface



Pour éviter tout risque de blessures ou de dommages matériels, portez des gants lors du remplacement des ampoules.

1. Débranchez le four à micro-ondes ou coupez l'alimentation à l'aide du disjoncteur principal.  
2. Retirez les vis de montage du couvercle d'ampoule des deux points lumineux situés sous le micro-ondes.



3. Remplacez l'ampoule par une ampoule standard de 30 watts.  
4. Réinstallez le couvercle d'ampoule et la vis de montage.

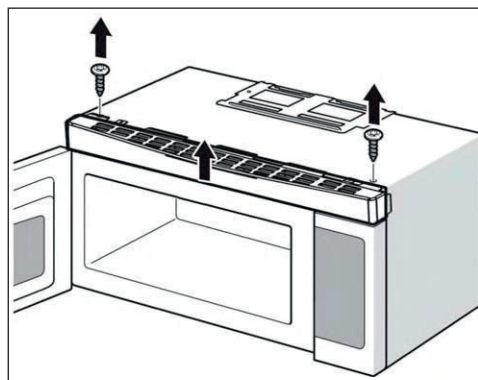
## 4 Nettoyage et entretien

5. Rebranchez le micro-ondes sur l'alimentation ou rétablissez le courant à l'aide du disjoncteur principal.

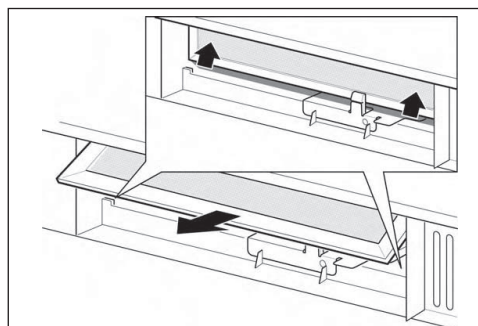
### 4.3 Remplacement du filtre à charbon

Le filtre à charbon installé sur votre four à micro-ondes est utilisé pour une installation non ventilée ou recirculée. Vous devez changer le filtre tous les 6 à 12 mois en fonction de l'utilisation.

1. Coupez l'alimentation du four à micro-ondes à l'aide du panneau du disjoncteur principal ou en débranchant le four.
2. Retirez les vis de montage de la grille de ventilation.
3. Retirez la grille de ventilation de l'appareil.



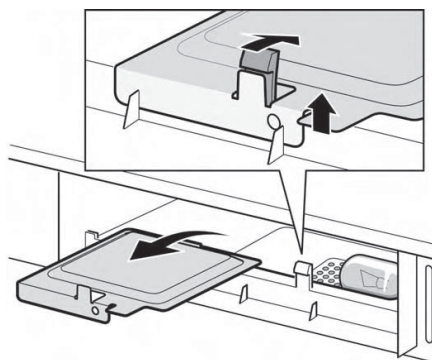
4. Retirez le filtre à charbon en le poussant vers l'intérieur, puis tournez-le et enlevez-le de l'appareil.



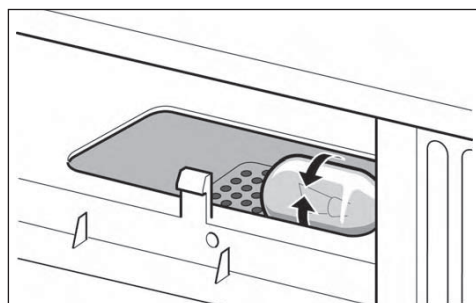
### 4.4 Remplacement de la lumière du four

Retirez la grille de ventilation en suivant les instructions de la section 1-4 ci-dessus, de même que le filtre à charbon s'il est utilisé.

1. Ouvrez le couvercle de l'ampoule situé derrière la monture de filtre en tirant délicatement sur le rebord avant.



2. Retirez l'ampoule usagée et remplacez-la uniquement avec une lampe de 30 watts équivalente, disponible chez un distributeur de pièces de rechange. Les ampoules sont également disponibles dans la plupart des quincailleries ou les boutiques spécialisées dans l'éclairage.



Évitez d'utiliser une ampoule d'une puissance supérieure à 30 watts.

3. Remplacez le couvercle de l'ampoule du four à micro-ondes en le poussant délicatement. Remplacez le filtre à charbon. Remettez la grille de ventilation en place (en engageant les languettes inférieures et supérieures) et remplacez les vis de montage de la grille de ventilation.

### 4.5 Suggestions pour le nettoyage

Pour de meilleures performances et pour des raisons de sécurité, gardez le four propre à l'intérieur et à l'extérieur. Faites particulièrement attention à ne laisser aucun aliment ou graisse s'accumuler sur le panneau intérieur de la porte et sur le cadre avant.

N'utilisez jamais de poudre ou de tampon à récurer agressifs sur le micro-ondes. Essayez l'intérieur et l'extérieur du four à micro-ondes à l'aide d'un chiffon doux et d'une solution chaude (pas brûlante) de détergent doux. Puis rincez et essuyez-les complètement.

Essayez immédiatement les éclaboussures à l'aide d'une serviette en papier humide, en particulier après la cuisson d'aliments gras tels que le poulet ou le bacon.

Nettoyez votre four à micro-ondes chaque semaine ou plus régulièrement au besoin.

#### **Suivez les instructions ci-dessous pour nettoyer et entretenir votre four à micro-ondes :**

- Maintenez l'intérieur (cavité) du four propre ; Des particules d'aliments et des écoulements de liquides peuvent adhérer aux parois du four et le rendre moins efficace ;
- Essayez immédiatement tout déversement ; Utilisez un chiffon humide et propre et un savon doux ; ÉVITEZ d'utiliser des détergents agressifs ou des produits de nettoyage abrasifs ;
- Pour faciliter le décollage des particules d'aliments ou des liquides, chauffez 2 tasses d'eau (ajoutez le jus de 1 citron si vous souhaitez que le four conserve un parfum frais) dans une tasse à mesurer en verre (4 tasses) à haute puissance durant 5 minutes ou jusqu'à ébullition. Laissez reposer dans la cavité du four durant 1 à 2 minutes.
- Retirez le plateau tournant en verre du four au moment de nettoyer la cavité ou le plateau du four. Pour éviter que le plateau tournant en verre ne se brise, manipulez-le avec précaution et ne le mettez pas dans de l'eau immédiatement après la cuisson. Lavez le plateau tournant dans de l'eau savonneuse tiède ou au lave-vaisselle.
- Nettoyez la surface extérieure du four à micro-ondes avec du savon et un chiffon propre et humide. Séchez à l'aide d'un chiffon propre et doux. Pour éviter d'endommager les pièces fonctionnelles du four, ne laissez pas l'eau s'infiltrer dans les événements ou les ouvertures.
- Lavez le hublot de la porte du four avec du savon très doux et de l'eau. Assurez-vous d'utiliser un chiffon doux et propre pour éviter les rayures.
- En cas d'accumulation de vapeur à l'intérieur ou l'extérieur de la porte du four, nettoyez à l'aide d'un tissu doux. De la vapeur peut s'accumuler lors de l'utilisation du four dans des conditions d'extrême humidité, sans indiquer en aucune manière une fuite du micro-ondes.

## 4 Nettoyage et entretien

- Ne faites jamais fonctionner le four sans aliment à l'intérieur car cela pourrait endommager le tube magnétron ou le plateau en verre. Il est souhaitable de laisser un verre d'eau à l'intérieur du four lorsqu'il est à l'arrêt pour éviter tout dommage si le four est accidentellement mis en marche.

### 4.6 Nettoyage de la partie intérieure du four

Parois, paroi inférieure, hublot intérieur, parties métalliques et plastique de la porte.

Vous pouvez nettoyer certaines éclaboussures à l'aide d'une serviette en papier, les autres peuvent nécessiter un chiffon humide. Nettoyez les éclaboussures de graisse à l'aide d'un chiffon imbibé de savon, puis rincez à l'aide d'un chiffon humide. Évitez d'utiliser des produits nettoyants corrosifs ou des ustensiles tranchants sur les parois du four.

Pour nettoyer les parties de la surface de la porte et de celle du four qui entrent en contact lors de la fermeture, utilisez uniquement des savons ou des détergents humides et non abrasifs, avec une éponge ou un chiffon doux. Rincez avec un chiffon humide puis laissez sécher.

N'utilisez jamais de nettoyant pour four disponible dans le commerce pour nettoyer les pièces de votre four à micro-ondes.

Plateau tournant et support de plateau tournant

Pour éviter que le plateau tournant ne se brise, évitez de le mettre dans de l'eau juste après la cuisson. Lavez-le avec précaution dans de l'eau savonneuse tiède ou au lave-vaisselle. Le plateau tournant et le support peuvent se briser s'ils tombent. Remember, do not operate the oven without the turntable and support in place.

### 4.7 Nettoyage de la partie extérieure du four

Évitez d'utiliser des produits contenant de l'ammoniac ou de l'alcool pour nettoyer votre four à micro-ondes. L'ammoniac ou l'alcool peuvent endommager l'aspect du four.

#### Boîtier

Nettoyez la partie extérieure du four à micro-ondes avec un chiffon imbibé de savon. Rincez-la avec un chiffon humide puis laissez sécher. Essuyez le hublot nettoyé avec un chiffon humide.

#### Panneau de commande et porte

Essuyez-le à l'aide d'un chiffon humide. Laissez sécher complètement. Évitez d'utiliser des pulvérisateurs de nettoyage, de grandes quantités d'eau et de savon, des abrasifs ou des objets pointus sur le panneau de commande car, ils peuvent endommager ce dernier. Certaines serviettes en papier peuvent également rayer le panneau de commande.

#### Surface de porte

Il est important de garder propre la zone où la porte est en contact étanche avec le micro-ondes. Utilisez uniquement des détergents doux, non abrasifs appliqués avec une éponge propre ou un chiffon doux. Assurez-vous de bien rincer la surface.

#### Cordon d'alimentation

Si le câble est sale, débranchez-le et lavez-le à l'aide d'un chiffon humide. Utilisez de l'eau savonneuse pour nettoyer les taches tenaces sur le câble, tout en vous assurant de rincer ce dernier avec un chiffon humide et de le sécher complètement avant de le rebrancher à la prise.

## 4 Nettoyage et entretien

### Acier inoxydable

N'utilisez pas de tampons métalliques car, ils sont susceptibles de rayer la surface de votre appareil.

Pour nettoyer les surfaces en acier inoxydable, utilisez un chiffon chaud et humide avec un détergent doux approprié pour les surfaces en acier inoxydable. Utilisez un chiffon propre, chaud et humide pour enlever les traces de savon. Séchez à l'aide d'un chiffon sec et propre.

Pour nettoyer les salissures causées par les aliments, essayez un nettoyant général pour cuisine tel que Fantastik®, Simple Green® ou Formula 409®.

Pour les salissures difficiles à nettoyer, utilisez un nettoyant en acier inoxydable standard, tel que Bon-Ami® ou Cameo®.

Appliquez le nettoyant à l'aide d'une éponge humide. Utilisez un chiffon propre, chaud et humide pour retirer toutes traces du nettoyant. Séchez à l'aide d'un chiffon sec et propre.

Assurez-vous de toujours frotter légèrement dans le sens de la fibre.

Une fois le nettoyage terminé, utilisez un produit de polissage en acier inoxydable tel que Stainless Steel Magic®, Revere Copper et Stainless Steel Cleaner® ou Wenol All Purpose Metal Polish®. Suivez les instructions sur le produit pour le nettoyage de la surface en acier inoxydable.

## 5.1 Dépannage

Repérez le problème de votre appareil à partir du tableau ci-dessous et essayez d'appliquer les solutions pourvues pour chaque problème. Si le four à micro-ondes ne fonctionne toujours pas correctement, contactez le centre de service agréé le plus proche.

Panne	Source éventuelle	Recours possible
Le four ne démarre pas	<ul style="list-style-type: none"> <li>a. Le câble électrique du four n'est pas branché.</li> <li>b. La porte est ouverte.</li> <li>c. Un mauvais réglage est effectué.</li> </ul>	<ul style="list-style-type: none"> <li>a. Branchez le câble à la prise.</li> <li>b. Fermez la porte de votre four et essayez à nouveau.</li> <li>c. Suivez les instructions.</li> </ul>
Arcs électriques et étincelles	<ul style="list-style-type: none"> <li>a. Des matériaux non compatibles avec le four à micro-ondes ont été utilisés.</li> <li>b. Le four est mis en marche vide.</li> <li>c. Il reste des salissures d'aliments sur la cavité du four.</li> </ul>	<ul style="list-style-type: none"> <li>a. Utilisez uniquement des ustensiles de cuisine pour four à micro-ondes.</li> <li>b. Ne mettez pas le four en marche lorsqu'il est vide.</li> <li>c. Nettoyez la cavité du four avec une serviette humide.</li> </ul>
Aliments cuits de façon non homogène	<ul style="list-style-type: none"> <li>a. Des matériaux non compatibles avec le four à micro-ondes ont été utilisés.</li> <li>b. Les aliments ne sont pas complètement décongelés.</li> <li>c. Le temps de cuisson et le niveau de puissance ne correspondent pas.</li> <li>d. Les aliments ne sont ni retournés ni remués.</li> </ul>	<ul style="list-style-type: none"> <li>a. Utilisez uniquement des ustensiles de cuisine pour four à micro-ondes.</li> <li>b. Assurez-vous de complètement décongeler les aliments.</li> <li>c. Assurez-vous d'avoir sélectionné le temps de cuisson et le niveau de puissance appropriés.</li> <li>d. Retournez et remuez les aliments.</li> </ul>
Aliments trop cuits	Le temps de cuisson et le niveau de puissance ne sont pas appropriés pour les aliments.	Assurez-vous d'avoir sélectionné le temps de cuisson et le niveau de puissance appropriés.
Aliments insuffisamment cuits	<ul style="list-style-type: none"> <li>a. Des matériaux non compatibles avec le four à micro-ondes ont été utilisés.</li> <li>b. Les aliments ne sont pas complètement décongelés.</li> <li>c. Les orifices de ventilation du four sont obstrués.</li> <li>d. Le temps de cuisson et le niveau de puissance ne sont pas appropriés pour les aliments.</li> </ul>	<ul style="list-style-type: none"> <li>a. Utilisez uniquement des ustensiles de cuisine pour four à micro-ondes.</li> <li>b. Assurez-vous de complètement décongeler les aliments.</li> <li>c. Vérifiez que les orifices de ventilation du four ne sont pas obstrués.</li> <li>d. Assurez-vous d'avoir sélectionné le temps de cuisson et le niveau de puissance appropriés.</li> </ul>
Mauvaise décongélation	<ul style="list-style-type: none"> <li>a. Des matériaux non compatibles avec le four à micro-ondes ont été utilisés.</li> <li>b. Le temps de cuisson et le niveau de puissance ne sont pas appropriés pour les aliments.</li> <li>c. Les aliments ne sont ni retournés ni remués.</li> </ul>	<ul style="list-style-type: none"> <li>a. Utilisez uniquement des ustensiles de cuisine pour four à micro-ondes.</li> <li>b. Assurez-vous d'avoir sélectionné le temps de cuisson et le niveau de puissance appropriés.</li> <li>c. Retournez et remuez les aliments.</li> </ul>

### DÉCLARATION DE GARANTIE POUR LES PRODUITS ÉLECTRIQUES ET AU GAZ BLOMBERG

Les garanties offertes par Blomberg dans ces déclarations s'appliquent uniquement aux produits électriques et au gaz Blomberg vendus à l'acheteur ou propriétaire original aux États-Unis et au Canada. La garantie n'est pas transférable.

Pour bénéficier d'un service sous garantie, contactez nos fournisseurs les plus proches listés par pays ou appelez le 1800-459-9848.

Vous aurez besoin du numéro de modèle du produits électriques et au gaz, du numéro de série, du nom et de l'adresse du détaillant où vous l'avez acheté ainsi que de la date d'achat et de la date d'installation.

Cette garantie vous confère des droits légaux spécifiques, et vous pouvez également bénéficier d'autres droits qui peuvent varier d'une province à l'autre.

Toutes les garanties mentionnées ci-après rentrent dans le cadre d'une utilisation normale au foyer. L'utilisation du produit à des fins commerciales annule toute garantie.

L'entretien de cet appareil doit être effectué par un service d'entretien agréé.

Les défauts de fabrication apparents doivent être rapportés dans un intervalle de 10 jours ouvrables à compter de la date d'installation

1 an (\*) de garantie complète à partir de la date de la première installation Blomberg réparera ou remplacera sans frais pour le consommateur toutes pièces défectueuses du produits électriques et au gaz

2 ans \*\*\* de garantie à compter de la date de la première installation (pièces uniquement) Blomberg réparera ou remplacera toute pièce sans aucun frais pour le consommateur pour tout défaut de matière ou de fabrication à l'origine du dommage ou de la défaillance de ces éléments. Le coût de la main d'oeuvre est à la charge du consommateur.

Exonérations de garantie et exclusions :

La garantie ne couvre pas les frais de service d'un agent de service autorisé pour corriger des problèmes d'installation, électriques ou l'instruction éducationnelle sur utilisation du produits électriques et au gaz . La garantie ne couvre pas non plus les défauts ou les dommages causés par une catastrophe naturelle (comme des tempêtes, des inondations, des incendies, des coulées de boue, etc.), des dommages causés par l'utilisation du produits électriques et au gaz dans des buts autres que ceux pour lesquels il a été conçu, mauvaise utilisation, abus, accident, altération, mauvaise installation, entretien, frais de déplacements, appels de service en dehors des heures de service normales, ramassage et livraison, toute perte d'aliments à cause d'une défectuosité du produit, service non autorisé ou personne de service non autorisée.

Ce produit a subi des tests complets et a eu des inspections d'assurance de qualité officiels avant de quitter le site de fabrication original. Les conditions de garantie pour cet électroménager Blomberg n'est pas valide si le produit a été altéré, tripoté, modifié, si des pièces supplémentaires ont été assemblées, fixées et réemballées par un distributeur autorisé, une personne d'entretien, un détaillant de tierce partie, un revendeur ou par toute(s) autre(s) personne(s) non autorisée(s).

DANS LA LIMITE DE CE QUI EST AUTORISÉ PAR LA LOI, CETTE GARANTIE TIEN LIEU DE TOUTES LES AUTRES GARANTIES, EXPRESSES OU IMPLICITES, Y COMPRIS LES GARANTIES IMPLICITES DE QUALITÉ MARCHANDE ET D'ADAPTATION À UN USAGE PARTICULIER. BLOMBERG DÉCLINE TOUTE RESPONSABILITÉ EN CE QUI A TRAIT À LA QUALITÉ DE CE PRODUIT SAUF MENTION CONTRAIRE DANS CETTE DÉCLARATION DE GARANTIE. BLOMBERG N'ASSUME AUCUNE RESPONSABILITÉ QUAND À L'ADAPTATION DU PRODUIT POUR TOUT BUT PARTICULIER POUR LEQUEL VOUS POURRIEZ ACHETER CE PRODUIT, SAUF MENTION CONTRAIRE DANS CETTE DÉCLARATION DE GARANTIE.

Blomberg n'assume aucune responsabilité pour les dommages indirects ou consécutifs. De tels dommages incluent, mais sans s'y limiter, la perte de profits, la perte d'épargnes ou de revenus, la perte de l'utilisation du produits électriques et au gaz ou de tout équipement associé, le coût du capital, le coût de tout équipement substitut, installations ou services, panes, les réclamations de tiers, et des dommages à la propriété. Certaines provinces n'autorisent pas l'exclusion ou la limitation des dommages accessoires ou indirects, de sorte que les limitations ou exclusions ci-dessus peuvent ne pas s'appliquer à vous.

(\*) La date d'installation réfère à la date d'achat ou à 5 jours ouvrables après la livraison du produit à la maison, la plus tardive de ces deux dates prévalant.

(\*\*) Les pièces remplacées assumeront l'identité des pièces originales + leur garantie originale.

Aucune autre garantie. Cette déclaration de garantie est la garantie complète et exclusive du fabricant. Aucun employé de Blomberg ou autre tiers n'est autorisé à faire des déclarations de garantie en plus de celles énoncées dans cette Déclaration de garantie.

Veillez conserver cette carte de garantie, manuel d'utilisation et votre reçu de caisse pour référence future.

#### COMMENT OBTENIR UN SERVICE

Veillez contacter le fournisseur de votre pays ou de votre région dont le contact figure dans la liste de contact, ou appelez notre numéro gratuit que voici 1 800 459 9848







**Blomberg<sup>®</sup>**

**seit 1883**

[www.blomberginternational.com](http://www.blomberginternational.com)

[info@blomberginternational.com](mailto:info@blomberginternational.com)