



EN ■ Robotic vacuum cleaner

Translation of the original manual

Robotic vacuum cleaner

Important safety instructions

READ CAREFULLY AND STORE FOR FUTURE USE.

General warnings

- This appliance may be used by children 8 years of age and older and by persons with physical or mental impairments or by inexperienced persons, if they are properly supervised or have been informed about how to use the product in a safe manner and understand the potential dangers.
- Children must not play with the appliance. Cleaning and maintenance performed by the user must not be performed by unsupervised children.
- If the power cord of the power adapter is damaged, it must be replaced by the manufacturer, its service technician or by a similarly qualified person, as this will prevent a dangerous situation from arising.
- The robotic vacuum cleaner must only be used with the original power adapter that came with it. In order to prevent a dangerous situation from arising, never use a different type of power adapter.

Electrical safety

- Before connecting the adapter to a power socket check that the technical details on the rating label match the electrical voltage in the socket.
- Connect the power adapter only to a properly grounded power socket. Do not use an extension cord.
- Do not disconnect the power adapter from the power socket by pulling on the power cord. This could damage the power adapter or the power socket. Disconnect the power adapter from the power socket by pulling on the plug.
- Do not place the power cord of the power adapter over sharp objects. Make sure that the power cord does not hang over the edge of a table and that it is not touching a heated surface.
- It is forbidden to use a power adapter with a damaged plug or power cord.
- For a replacement power adapter, please contact an authorised service centre.
- Never use the power adapter supplied with this appliance for any other purposes.
- Keep the power adapter and its power cord dry.
- Do not connect and disconnect the power adapter cord to and from the power socket with wet hands.
- Do not uncover the electronic parts of the robotic vacuum cleaner, its battery or charging base. They do not contain any components repairable by the user. Have the appliance serviced by qualified persons. Check that the voltage of the supplied charging base corresponds to the standard voltage in the power socket.

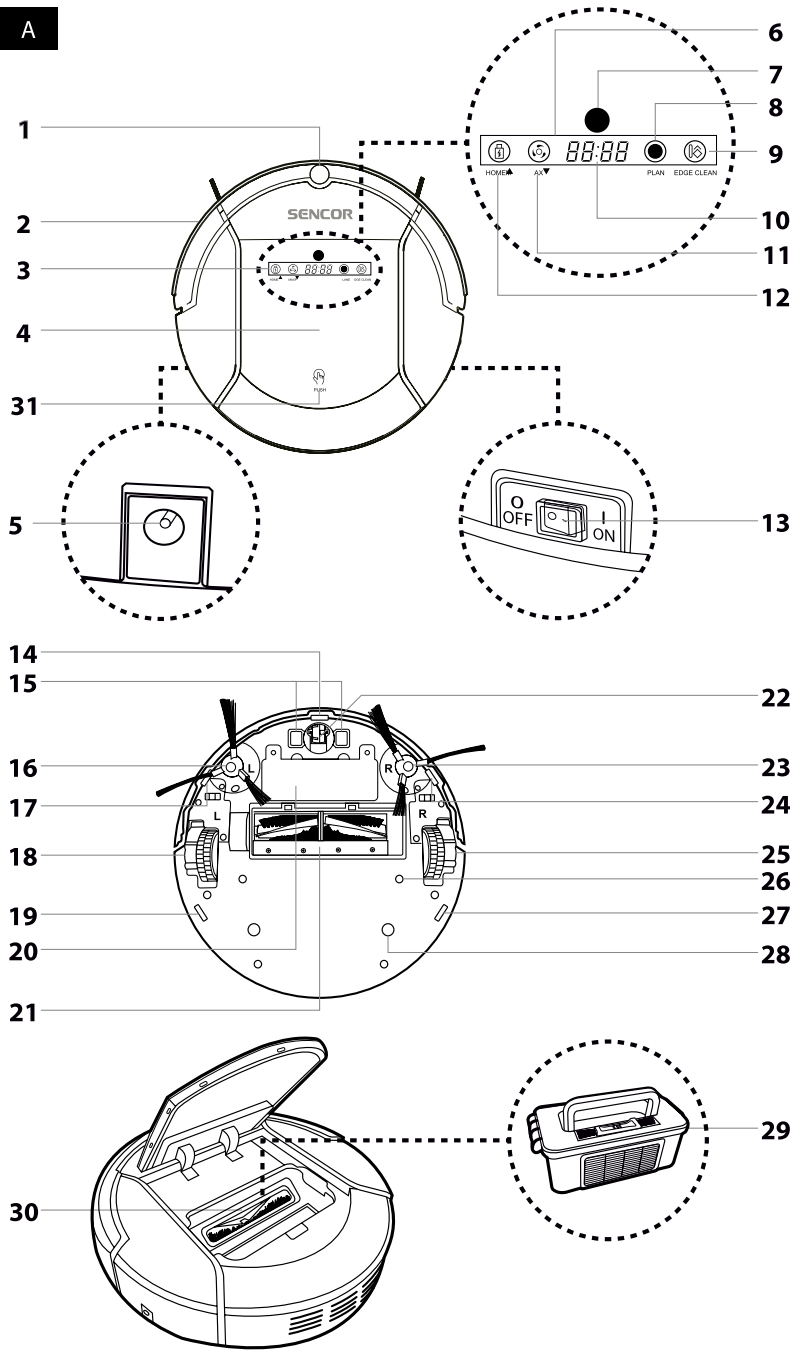
- To avoid any injury by electrical shock, do not spray the robotic vacuum cleaner with water and do not submerge it in water or any other liquid.
- If you will not be using the robotic vacuum cleaner for an extended period of time, take out the battery. Prior to taking out the battery ensure that the robotic vacuum cleaner is disconnected from the power socket and that the main switch is in the off position (O).
- Do not use the robotic vacuum cleaner when it is not working correctly, if it has been damaged or has been submerged in water.
- To avoid the danger of injury by electrical shock, do not repair the robotic vacuum cleaner yourself or make any adjustments to it. Have all repairs performed at an authorised service centre. Tampering with the robotic vacuum cleaner during the warranty period may void the warranty.

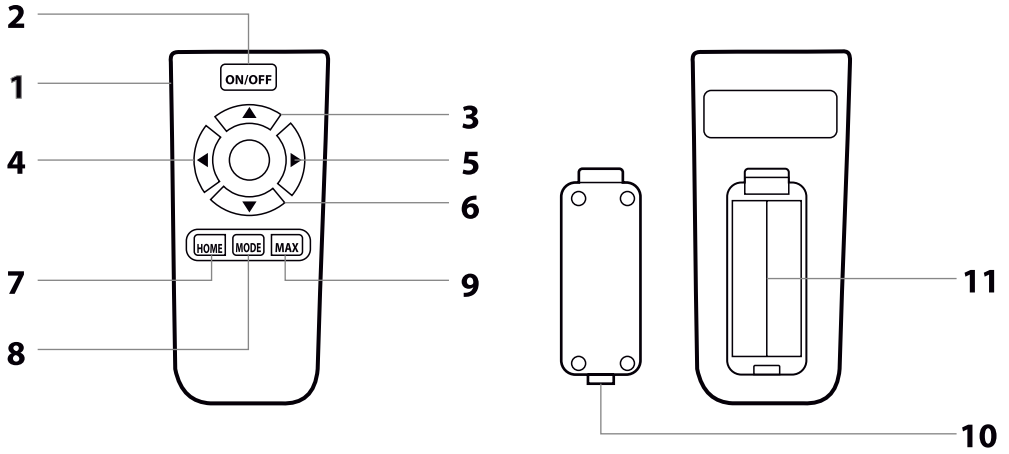
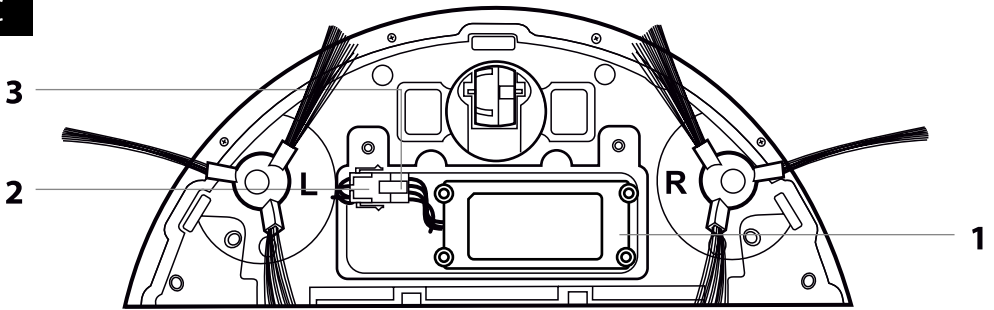
■ **Safety during use**

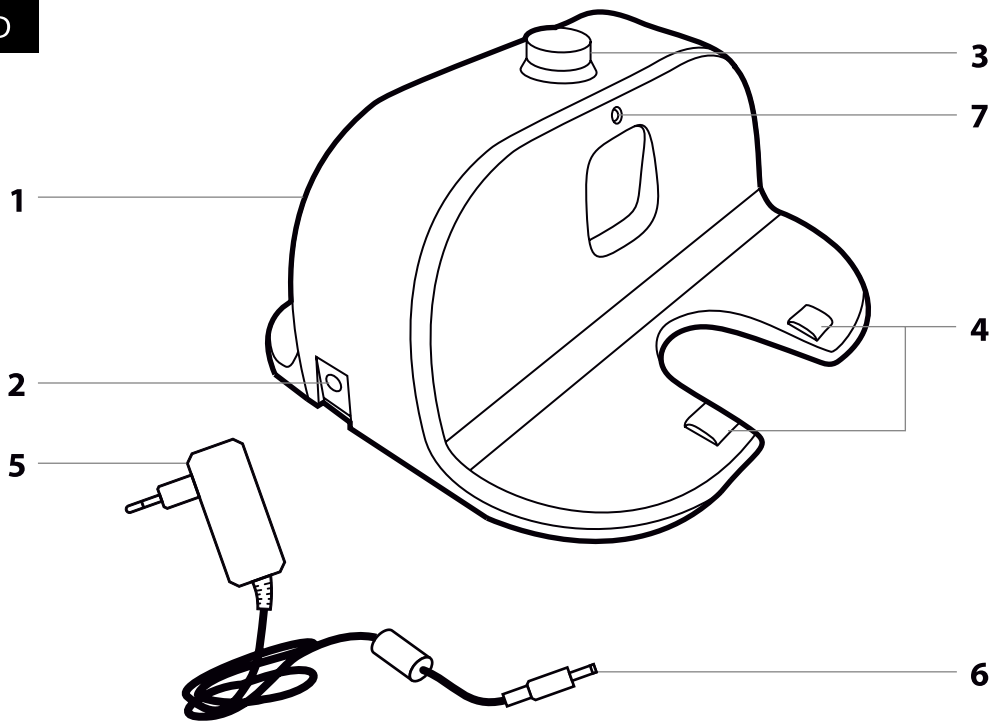
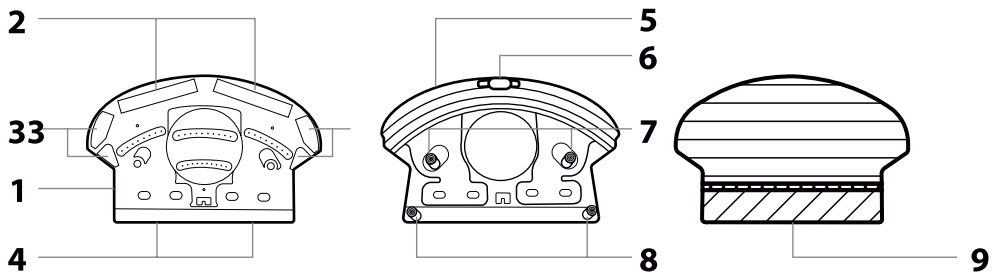
- This robotic vacuum cleaner is designed for use in households, offices and similar types of areas. Do not use it in rooms with high humidity, e.g. in laundries or bathrooms, in industrial environments or outdoors.
- The robotic vacuum cleaner is not designed for vacuuming water.
- Do not expose the robotic vacuum cleaner to direct sunlight and do not place it near an open fire or appliances that are a source of heat.
- Only use the robotic vacuum cleaner with the original accessories from the manufacturer.
- Ensure that the robotic vacuum cleaner has a dust filter correctly installed in the dust container before use.
- Before putting the robotic vacuum cleaner into operation, check that the entry door into your apartment or house is closed. From the floor surfaces, remove clothing, paper, toys, power or extension cords and other items that the vacuum cleaner could suck in or catch. Lift curtains and drapes that reach to the floor so that they do not get caught in the vacuum cleaner. If necessary, define the cleaning area using the supplied magnetic tape.
- Do not place any items on to the robotic vacuum cleaner and do not step or sit on it.
- If the robotic vacuum cleaner is running, watch out for children and household pets.
- When the robotic vacuum cleaner is running, ensure that the air vents are not covered and that the suction hole is not blocked. Otherwise, the robotic vacuum cleaner may be damaged.
- Do not use the robotic vacuum cleaner to vacuum the following items:
 - smouldering cigarettes, burning or flammable items, matches or ash;
 - water and other liquids;
 - sharp items, e.g. splinters, needles, pins, etc.;
 - flour, wall plaster and other building materials;

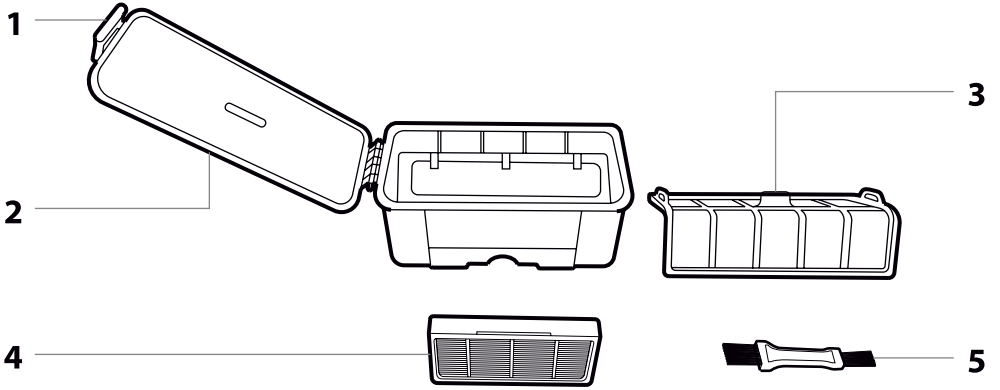
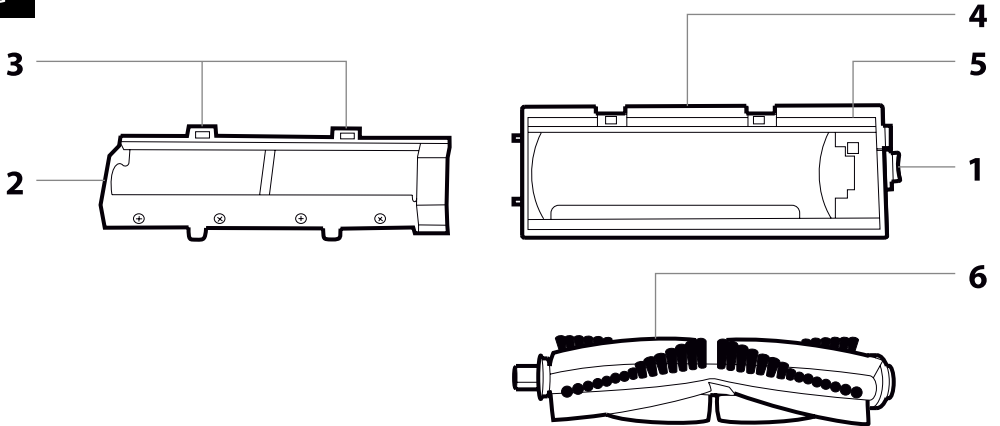
- larger pieces of paper or plastic bags, which can easily block the suction hole.
- Always disconnect the robotic vacuum cleaner from power socket and set the main switch to the off position before cleaning.
- To charge the battery only use the power adapter supplied with this robotic vacuum cleaner.
- Make sure the power cord of the adapter is not touching a hot surface.

A



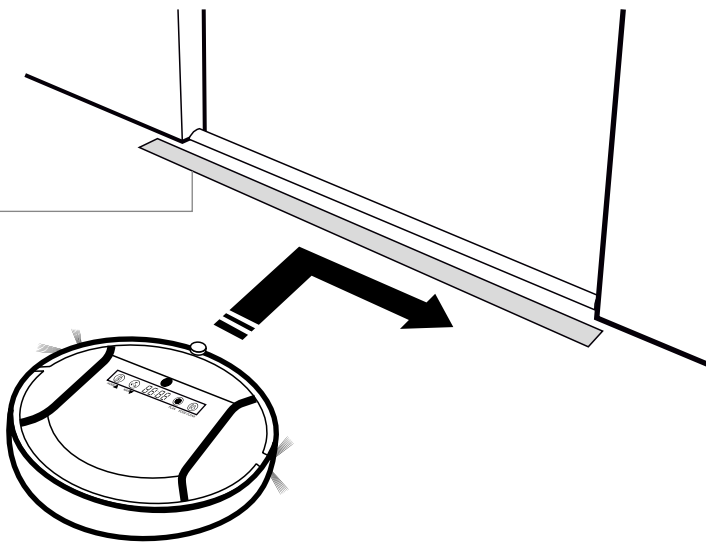
B**C**

D**E**

F**G**

H

1



APP Store



Google Play



EN: Link to the applications for controlling the vacuum cleaner

CZ: Odkaz na aplikaci pro ovládání vysavače

SK: Odkaz na aplikáciu na ovládanie vysávača

BEFORE FIRST USE

- Prior to using this appliance, please read the user's manual thoroughly, even in cases, when one has already familiarised themselves with previous use of similar types of appliances. Only use the appliance in the manner described in this user's manual. Keep this user's manual in a safe place where it can be easily retrieved for future use. In the event that you hand this appliance over to somebody else, make sure to also include this user's manual.
- We recommend saving the original cardboard box, packaging material, purchase receipt and responsibility statement of the vendor or warranty card for at least the duration of the legal liability for unsatisfactory performance or quality. In the event of transportation, we recommend that you pack the appliance in the original box from the manufacturer.
- Carefully unpack the appliance and take care not to throw away any part of the packaging before you find all the parts of the appliance.

DESCRIPTION OF THE APPLIANCE AND ACCESSORIES

A1 Infrared signal receiver	A16 Left side rotary brush (L)
A2 Bumper bar	A17 Bottom anti-fall sensor
A3 Control panel	A18 Left motorised rubber wheel
A4 Lid	A19 Bottom anti-fall sensor
A5 Power adapter connector socket	A20 Battery cover
A6 Display	A21 Rotary brush
A7 ON/OFF button	A22 Front swivel wheel
A8 PLAN button	A23 Right side rotary brush (R)
A9 EDGE CLEAN button	A24 Bottom anti-fall sensor
A10 System time / scheduled cleaning time	A25 Right motorised rubber wheel
A11 MAX button	A26 Mop attachment holes
A12 HOME button	A27 Bottom anti-fall sensor
A13 I/O switch (On/Off)	A28 Mop attachment holes
A14 Bottom anti-fall sensor	A29 Dust container
A15 Charging contacts	A30 Suction hole
	A31 Open lid button
B1 Remote control	B7 HOME button
B2 ON/OFF button	B8 MODE button
B3 Forward button	B9 MAX button
B4 Left button	B10 Cover
B5 Right button	B11 Battery compartment
B6 Reverse button	
C1 Battery	C3 Battery connector
C2 Battery connection connector	
D1 Charging base	D5 Power adapter
D2 Power adapter plug socket	D6 Power adapter plug
D3 Infrared beam transmitter	D7 Base power connection indicator
D4 Charging contacts	
E1 Holder	E9 Anti-static duster
E2 Top Velcro zip	F1 Side latch
E3 Side Velcro zip	F2 Dust container lid
E4 Bottom Velcro zip	F3 Filter
E5 Water tank	F4 HEPA filter with frame
E6 Water tank cover	F5 Cleaning brush
E7 Top fastening pins	
E8 Bottom fastening pins	
G1 Latch	G4 Bottom cover
G2 Top cover	G5 Clamp
G3 Latches	G6 Brushes
H1 Magnetic tape	

PURPOSE OF USE AND FEATURES OF THE ROBOTIC VACUUM CLEANER

The robotic vacuum cleaner can be used for cleaning various types of hard floors such as wooden or laminate floating floors, tiles, vinyl, etc. and carpets with a low pile. In the automatic cleaning mode, the vacuum cleaner effectively combines various routes to optimally clean the entire floor area.

The suction hole **A30** is equipped with a rotary brush **A21**, which effectively removes hair, animal fur, etc. The two side rotary brushes **A16** and **A23** brush dirt out of hard-to-reach places along walls and furniture and out of corners. For cleaning heavier soiled areas, the robotic vacuum cleaner is equipped with a dust detector. The motorised rubber wheels **A18** and **A25** protect sensitive floors against scratching and can travel over threshold strips up to a height of 1.5 cm and ride on to a 2 cm high carpet. The infrared sensors in the front bumper **A2** prevent the robotic vacuum cleaner from colliding with obstacles. The bottom sensors **A14**, **A17**, **A19**, **A24** and **A27** prevent the vacuum cleaner from falling down stairs and enable the safe operation of the vacuum cleaner in rooms with stairs.

Another advantage of a robotic vacuum cleaner is the mop function, which enables dry and wet wiping of smooth hard floor surfaces. While wiping, the robotic vacuum cleaner vacuums small bits of dirt and dust from the floor to prevent the duster from being excessively soiled during the cleaning cycle.

In the event that the voltage on the battery falls below a certain level, the robotic vacuum cleaner will automatically search out the charging base **D1** and dock into it to recharge before further use.

The remote control **B1** facilitates convenient control, enabling the vacuum cleaner to be turned on and off, to be set to the automatic cleaning mode, to select an operating mode or to send the robotic vacuum cleaner to the charging base.

CONTROL ELEMENTS OF THE ROBOTIC VACUUM CLEANER

CONTROL ELEMENTS ON THE ROBOTIC VACUUM CLEANER

SWITCH A13 (I/O)

- Switch **A13** serves to turn the power supply to the robotic vacuum cleaner on and off.

BUTTON A7 (ON/OFF)

- Button **A7** has several functions. It serves to put the robotic vacuum cleaner into the automatic cleaning mode, to put the robotic vacuum cleaner into sleep mode and back to stand-by mode, and to stop it. In the time setting and scheduled cleaning setting modes it serves to confirm the set values.

BUTTON A8 (PLAN)

- Button **A8** has two functions. Press it in stand-by mode or during charging to enter or leave the system time setting mode of the vacuum cleaner. Hold it down for longer than 5 seconds to enter or leave the scheduled cleaning setting mode.

BUTTON A9 (EDGE CLEAN)

- Press button **A9** to set the robotic vacuum cleaner to the clean along the walls mode, in which it moves along the perimeter of the room and the motorised side rotary brushes **A16** and **A23** sweep out the dirt along the walls, furniture and in corners to achieve a perfect clean.

TIME AND MESSAGE DISPLAY A10

- The set system time, the scheduled cleaning time and any system messages of the robotic vacuum cleaner are shown here.

BUTTON A11 (MAX)

- When button **B9** is pressed, the vacuum cleaner will go into maximum power mode, in which the vacuum cleaner will continue cleaning until the battery **C1** is almost flat.

BUTTON A12 (HOME)

- Button **A12** has two functions. When pressed while the vacuum cleaner is running, the vacuum cleaner will seek out the charging base. When pressed in the set scheduled cleaning mode, it serves to increase the numerical value.

CONTROL ELEMENTS ON THE REMOTE CONTROL



Attention:

The remote control **B1** range is approximately 6 m. If the robotic vacuum cleaner is located outside the signal range, the signal will not be transmitted.

BUTTON B2 (ON/OFF)

- Button **B2** serves to put the robotic vacuum cleaner into the automatic cleaning mode and to stop its operation.

DIRECTION BUTTONS

- The direction buttons **B3**, **B4**, **B5** and **B6** can be used to manually control the movement of the robotic vacuum cleaner on the floor. When the vacuum cleaner is moved on the floor, the operation of the motorised side rotary brushes **A16** and **A23** is synchronised with the movement of the motorised wheels **A18** and **A25**. The vacuuming function is disabled during this time.
- When the direction button **B3** is pressed, the robotic vacuum cleaner will move forward. For continuous movement forward, hold down button **B3**. When button **B3** is released, the vacuum cleaner will stop moving.
- When direction button **B4** is pressed, the vacuum cleaner will turn anticlockwise. To continuously turn the vacuum cleaner, hold down button **B4**. When button **B4** is released, the vacuum cleaner will stop moving.
- When direction button **B5** is pressed, the vacuum cleaner will turn clockwise. To continuously turn the vacuum cleaner, hold down button **B5**. When button **B5** is released, the vacuum cleaner will stop moving.
- In the manual movement control mode, the robotic vacuum cleaner moves according to the direction buttons and the sensors in the front: bumper bar **A2** and **A14**, **A17**, **A19**, **A24** and **A27** prevent collisions with obstacles and falling from stairs.

BUTTON B7 (HOME)

- When button **B7** is pressed while the vacuum cleaner is running, the vacuum cleaner will seek out the charging base.

BUTTON B8 (MODE)

- Repeatedly pressing button **B8** will select the individual robotic vacuum cleaner cleaning modes or set it to the stand-by mode.

BUTTON B9 (MAX)

- When button **B9** is pressed, the vacuum cleaner will go into maximum power mode, in which the vacuum cleaner will continue cleaning until the battery **C1** is almost flat.



Attention:

When the remote control is used in the direct vicinity of the charging base, the robotic vacuum cleaner may not necessarily recognise the command and may not function properly.

When not using the remote control for an extended period of time, take out its batteries.

PREPARING THE ROBOTIC VACUUM CLEANER FOR OPERATION

INSTALLING AND USING THE SIDE ROTARY BRUSHES

- The side rotary brushes **A16** and **A23** are intended for smooth floor surfaces and ensure effective cleaning in corners, along walls and furniture.
- Turn the vacuum cleaner upside down. Prepare the side rotary brushes **A16** and **A23**. Gradually push both the included side brushes precisely and with force on to the pins intended for them. While doing this, make sure that the marks **L** and **R** both on the brushes and on the robotic vacuum cleaner match. Turn the robotic vacuum cleaner back over to the operating position.
- When using the robotic vacuum cleaner to clean rooms with carpets, remove the side rotary brushes **A16** and **A23**. When removing them, proceed in the reverse sequence to their installation.

INSERTING AND REPLACING BATTERIES IN THE REMOTE CONTROL

- Push down the latch of cover **B10** on the rear side of the remote control **B1** to release it and remove the cover.
- Insert two type AAA (1,5 V) batteries into the remote control **B1**. When inserting the batteries, ensure the correct polarity as shown inside the battery compartment **B11**. Put the cover **B10** back on and click it into place.
- In the event that the batteries are flat, replace them with new ones. Do not combine various types of batteries or new and old batteries.
- The signal range of the remote control **B1** is approximately 6 m.

INSERTING AND REMOVING THE BATTERY

- The robotic vacuum cleaner is equipped with a Li-ion battery **C1**. If the battery is packed separately, it is necessary insert it into the robotic vacuum cleaner before first use. Use only the original battery type.
- Turn the vacuum cleaner upside down. Check that switch **A13** set to position 0 (off).
- Screw out the screws from the cover **A20** and remove the cover **A20**.
- Connect the connector **C2**, which is located inside the battery compartment, to the battery connector **C3**. The battery **C1** can only be connected in one direction. Put the battery **C1** into the battery compartment and close the battery compartment with the cover **A20**. In the front part of the cover **A20** there are tabs that must first slide into the grooves in the battery compartment, and only then is it possible to close the cover **A20** and attach it by screwing in the screws. After attaching the cover **A20**, turn the robotic vacuum cleaner back over to the operating position.
- Remove the battery **C1** in reverse sequence. Before removing the battery **C1**, always check that switch **A13** is set to position 0 (off).
- When the robotic vacuum cleaner will not be used for an extended period of time, take out the battery **C1** and store it in a dry, clean and cool place out of children's reach.

LOCATION OF THE CHARGING BASE

- Locate the charging base **D1** against a wall on a hard, even and dry surface within reach of a power socket. Make sure that there are no stairs or obstacles within a distance of 1 m on the left and right of the base and within a distance of 2 m in front of the base, that would prevent the robotic vacuum cleaner from finding the charging base **D1** and docking successfully.
- Insert the power adapter connector **D6** into socket **D2** of the charging base, and insert the power cord plug into a power socket. Place the power cord in such a way that it does not tangle into the cleaning brushes of the robotic vacuum cleaner.
- After connecting to a power socket, the indicator light **D7** will be lit, indicating the connection of the charging base to a power source.
- In the event that the robotic vacuum cleaner is not used for an extended period of time, disconnect the charging base **D1** from the power socket and store it in a dry, clean and cool place.

CHARGING FOR THE FIRST TIME

- Before using the robotic vacuum cleaner for the first time, it is necessary to fully charge the battery **C1** for a period of at least 12 hours.
- Check that the charging base **D1** is correctly positioned and connected to a power socket according to chapter Location of the charging base. Set the switch **A13** on the robotic vacuum cleaner to position **I** (on). Grasp the robotic vacuum cleaner and manually place it into the charging base so that the charging contacts **A15** on the underside of the robotic vacuum cleaner and the charging contacts **D4** on the charging base are connected. When the contacts are connected, the charging process will start.
- The robotic vacuum cleaner can also be charged without using the charging base. Insert the power adapter connector **D6** into socket **A5** of the vacuum cleaner, and insert the power cord plug into a power socket.
- During the charging process, "1:11" is gradually displayed from left to right on the display **A6**.

- When the battery is fully charged, the charging process will stop automatically. The display **A6** will show the message "FULL" (FULLY CHARGED).
- The robotic vacuum cleaner is ready for use.

DEFINING THE VACUUMING AREA USING MAGNETIC TAPE

- The robotic vacuum cleaner comes with a magnetic tape. It can be used to define the vacuuming area without you having to close doors or place artificial obstacles in the path of the robot vacuum cleaner. The robotic vacuum cleaner will recognise the magnetic tape and will not travel over it. It will start cleaning in another direction.
- Place the magnetic tape **H1** before the place that the robotic vacuum cleaner should not clean, for example room doorway, carpet, cables on the floor or a staircase without rounded corners, etc.
- To help the tape adhere better, you can attach it to the perimeter using standard double-sided tape.



Note:

The magnetic tape must be put down prior to every cleaning session because the robotic vacuum cleaner does not store the boundaries in memory.

OPERATING THE ROBOTIC VACUUM CLEANER

TURNING THE ROBOTIC VACUUM CLEANER ON AND OFF

- Turn on the power supply to the robotic vacuum cleaner by setting switch **A10** to position **I** (on).
- When button **A7** (ON/OFF) on the control panel or button **B2** (ON/OFF) on the remote control is pressed, the voice message "System rebooting, please wait" will be made and the digits 5555 to 1111 will gradually appear on the display **A6**. After the reboot, the robotic vacuum cleaner will be set to the stand-by mode and all the available symbols will appear on the display **A6**. The robotic vacuum cleaner is now ready for operation.



Note:

If the robotic vacuum cleaner is parked in the charging station **D1** when turned off, subsequently when switch **A13** is set to position **I** (On), the voice message "Please turn on the power switch" will be made and the error message E 2 will appear on the display **A6**. Set switch **A13** to position **I** (On) and the charging process will start automatically.

- Setting switch **A13** to position **0** (Off) will turn the robotic vacuum cleaner off. The display **A6** will be turned off completely. When the robotic vacuum cleaner is turned off, it does not react to any button on the control panel **A3** or on the remote control **B1**.

STAND-BY MODE

- The stand-by mode means that the robotic vacuum cleaner is ready for use. The system time is shown on the display **A6** and the symbols of all the available functions are lit.
- Set the robotic vacuum cleaner to the stand-by mode by pressing button **A7** (ON/OFF) on the robotic vacuum cleaner or buttons **B2** (ON/OFF) on the remote control either by turning on the power supply using switch **A13** or whenever while the robotic vacuum cleaner is running.

SLEEP MODE

- The robotic vacuum cleaner will enter the sleep mode either automatically after ten minutes of inactivity or when the control button **A7** (ON/OFF) is pressed on the robotic vacuum cleaner for longer than 3 seconds. A beep is made, the display will turn off and the robotic vacuum cleaner automatically switches to the sleep mode.
- To wake the robotic vacuum cleaner from the sleep mode to the stand-by mode, press button **A7** (ON/OFF) on the robotic vacuum cleaner or the control button **B2** (O/OFF) on the remote control **B1**. When it is woken, a beep is made and a voice message "System rebooting, please wait" is made.

SETTING THE SYSTEM TIME OF THE ROBOTIC VACUUM CLEANER

- The system time is actually the current time. It must be correctly set if you wish to use the scheduled cleaning function.
- In the stand-by mode or in the charging mode in the base, press button **A8** (PLAN) on the control panel **A3**. The digits before the colon, representing the hours, will start flashing on the display **A6**.
- Use button **A12** (HOME) or **A11** (MAX) to set the hours value. To speed up the setting process, hold down button **A12** or **A11**.
- Press button **A7** (ON/OFF) to confirm the set hours value. The digits after the colon, representing the minutes, will start flashing.
- Use button **A12** (HOME) or **A11** (MAX) to set the minutes value. To speed up the setting process, hold down button **A12** or **A11**.
- Press button **A7** (ON/OFF) to confirm the set hours value. The system time has now been set.
- If you do not perform any change within 5 seconds, the system time setting mode will automatically be cancelled and the previously set time will be shown on the display **A6**. The setting will not be stored in memory.

TURNING VOICE MESSAGES ON/OFF

- If you prefer not to have the robotic vacuum cleaner make system voice messages, deactivate this function by simultaneously pressing buttons **A12** (HOME) and **A8** (PLAN) on the control panel **A3** of the robotic vacuum cleaner. The robotic vacuum cleaner will only make beeps.
- If you wish to reactivate the voice messages, again simultaneously press the buttons **A12** (HOME) and **A8** (PLAN).

SELECTING THE ROBOTIC VACUUM CLEANER CLEANING MODE



Tip:

During the first vacuum in a new environment, watch the movement of the robotic vacuum cleaner. You can thereby recognise problematic obstacles and remove them for the next cleaning session.

AUTOMATIC CLEANING MODE

- Press button **A7** (ON/OFF) on the robotic vacuum cleaner or **B2** (ON/OFF) on the remote control. The robotic vacuum cleaner will enter the automatic cleaning mode, in which it effectively combines various routes to achieve an optimal clean of the entire floor area. As soon as the vacuum cleaner finishes cleaning, it will seek out the base and dock there to recharge.

ALONG-THE-WALLS CLEANING MODE

- Press button **A9** (EDGE CLEAN) on the control panel or press button **B8** (MODE) on the remote control so that the message **mod1** appears on the display **A6** and icon **A9** (EDGE CLEAN) remains lit. The robotic vacuum cleaner will enter the clean along the walls mode, in which it moves along the perimeter of the room and the motorised side rotary brushes **A16** and **A23** sweep out the dirt along the walls, furniture and in corners to achieve a perfect clean.

2x2 METRE AREA CLEANING MODE

- Place the robotic vacuum cleaner approximately in the middle of the area that you wish to clean.
- Keep pressing button **B8** (MODE) on the remote control until **mod2** appears on the display **A6**. The robotic vacuum cleaner will enter the 2x2 metre area cleaning mode in which it will move in straight parallel lines and vacuum an area of approximately 2x2 metres. As soon as the robotic vacuum cleaner finishes cleaning this area, it will return back to the starting point and make a voice message "Cleaning complete".

RANDOM DIRECTION MOVEMENT MODE

- Keep pressing button **B8** (MODE) on the remote control until **mod3** appears on the display **A6**. The robotic vacuum cleaner will enter the random direction movement mode and will continue cleaning in this mode until the battery **C1** is almost flat. When the robotic vacuum cleaner detects a low battery voltage, it will stop cleaning and make a voice message "Please Charge". Then it will seek out the charging base **D1** and dock itself in order to recharge.

INTENSIVE CLEANING MODE

- Keep pressing button **B8** (MODE) on the remote control until **mod4** appears on the display **A6**. The robotic vacuum cleaner will enter the intensive cleaning mode, where it will clean the same location at least twice. The robotic vacuum cleaner continues cleaning until the battery **C1** is almost flat. When the robotic vacuum cleaner detects a low battery voltage, it will stop cleaning and make a voice message "Please Charge". Then it will seek out the charging base **D1** and dock itself in order to recharge.

MAXIMUM POWER MODE

- Press button **A11** (MAX) on the control panel **A3** or **B9** (MAX) on the remote control **B1**. The robotic vacuum cleaner will start cleaning and will continue cleaning until the battery **C1** is almost flat. When the robotic vacuum cleaner detects a low battery voltage, it will stop cleaning and make a voice message "Please Charge". Then it will seek out the charging base **D1** and dock itself in order to recharge.

OTHER FUNCTIONS OF THE ROBOTIC VACUUM CLEANER

RETURN TO THE CHARGING STATION AND CHARGING FUNCTION

- The robotic vacuum cleaner will automatically switch to the return to charging base **D1** mode whenever it detects low voltage in the battery **C1** during operation.
- In this mode the robotic vacuum cleaner automatically seeks out the route to the charging base **D1** and docks itself to enable the battery **C1** to recharge. If it does not succeed, the system will make a voice message "Please wait" and then make another attempt until it docks successfully. As soon as it docks itself successfully, the charging cycle will commence.
- Make sure that the charging base **D1** is located in accordance with the instructions provided in chapter Installation location and using the charging base. Otherwise, the robotic vacuum cleaner may not dock successfully.

SCHEDULED CLEANING FUNCTION

This function is used to set a time in advance, when the robotic vacuum cleaner is to start automatic cleaning. The robotic vacuum cleaner will then start cleaning at the same time every day.



Note:

The scheduled cleaning time setting is based on the system time of the robotic vacuum cleaner. Therefore, before setting the scheduled cleaning time, it is necessary to correctly set the system time as described in chapter Setting the system time of the robotic vacuum cleaner.

SETTING THE SCHEDULED CLEANING

- Put the robotic vacuum cleaner into the stand-by mode.
- In the stand-by mode, press button **A8** (PLAN) on the control panel **A3**. The digits before the colon, representing the hours, will start flashing on the display **A6**. If, at this time, you wish to end the scheduled cleaning mode without saving the time, press button **A8** (PLAN) again. If you do not perform any action within five seconds,

the scheduled cleaning mode will automatically be cancelled and the system time will be shown.

- Use button **A12** (HOME) or **A11** (MAX) to set the hours value. To speed up the setting process, hold down button **A12** or **A11**.
- Press button **A7** (ON/OFF) to confirm the set hours value. The digits after the colon, representing the minutes, will start flashing.
- Use button **A12** (HOME) or **A11** (MAX) to set the minutes value. To speed up the setting process, hold down button **A12** or **A11**.
- Press button **A7** (ON/OFF) to confirm the set hours value. The system will make a voice message "Scheduling confirmed" and show the system time. If the set time value is not confirmed using button **A7** (ON/OFF), the set time will not be saved.

CANCELLING THE SCHEDULED CLEANING

- Cancel the scheduled cleaning time by setting the time value to **00:00** using the same procedure as in the previous chapter. The system will make a voice message "No scheduling" (no scheduled cleaning).

USING THE MOP

- The mop is an auxiliary function to the robotic vacuum cleaner and is intended for dry or wet cleaning of smooth hard floor areas. It consists of the holder **E1** and an anti-static duster **E9**. The duster may be used on a dry floor to sweep dust up from the floor or the floor can be moistened in advance with water and a smooth floor washing agent. To prevent having to frequently remove and re-moisten the duster, the holder **E1** is equipped with a water tank **E5** with a continual duster wetting system. If you moisten the duster before installing it on the holder **E1**, always wring it out thoroughly.



Attention:

Only use the mop intended for this robotic vacuum cleaner model. Do not use the holder **E1** without the anti-static duster **E9**.

The mop is not intended for cleaning carpets.

- Attach the anti-static duster **E9** to the holder **E1** using the Velcro zip tape **E2**, **E3** and **E4** on the holder **E1**.
- To use the mop function for wet wiping, tilt open the cover **E6** of the water tank **E5** and fill it with water and properly insert the cover into the water tank opening.
- Turn the vacuum cleaner upside down. Insert the assembled mop using the fastening pins **E7** and **E8** into holes **A26** and **A28** in the robotic vacuum cleaner (identical holes are on both sides of the robotic vacuum cleaner). Then, turn the robotic vacuum cleaner back over to the normal operating position.
- Select one of the cleaning modes and start the cleaning process.
- When the cleaning process has finished, pour out any remaining water from the water tank **E5** and leave it to drip in a suitable location. Rinse the duster **E9** under running water, thoroughly wring it dry and allow it to dry.
- The mop is removed in the reverse sequence.

GYRO MAPPING FUNCTION (NAVIGATION IN SPACE)

- The robotic vacuum cleaner is equipped with a so-called gyro mapping function, which can identify the space geometry of a room in which it is cleaning, thereby the vacuum cleaner is able to better clean the floor. This is a built-in function and cannot be affected in any way.

FUNCTION FOR CONTROLLING THE ROBOTIC VACUUM CLEANER USING A MOBILE APPLICATION

- The robotic vacuum cleaner can also be controlled using a smartphone or tablet. The application enables you to select the cleaning mode, stop the cleaning process or send the vacuum cleaner to the charging base; it provides an overview of how much time was spent cleaning and about the condition of the robotic vacuum cleaner.
- The application is freely available in the **Apple App Store** or **Google Play Store**. This link for this application is found at the end of this user's manual.



Note:

The robotic vacuum cleaner supports the communications protocol IEEE802.11 b/g/n with a Wi-Fi frequency band of 2.4 GHz. WPA and WPA2-PSK encryption standards are supported. If unsure about which standards are used by your Wi-Fi network and your router, please contact your internet service provider or the manufacturer of the router.

- After downloading and installing it, the application will guide you through the process for connecting the robotic vacuum cleaner to your Wi-Fi network.

CHARGING THE ROBOTIC VACUUM CLEANER

AUTOMATIC CHARGING

- As soon as the robotic vacuum cleaner detects low voltage of the battery **C1** during operation, it will automatically start to seek out the charging base **D1**. In order for the robotic vacuum cleaner to find the charging base and to dock into it, it needs to locate the infrared signal transmitted by the transmitter **D3** of the charging station **D1**. For this reason, we recommend leaving the charging base permanently connected to a power source.
- When the robotic vacuum cleaner docks in the charging base, the charging cycle will commence and the charging base will stop transmitting the infrared signal. A complete charge takes approximately 4 to 6 hours. The actual charging time depends on the power level of the battery. A fully charged battery will provide up to 120 minutes of operation.
- During the charging process, "11:11" is gradually displayed from left to right on the display **A6**.

- When the battery **C1** is fully charged, the charging process will stop automatically. The display **A6** will show the message "FULL".
- In the event that the charging contacts are disconnected during the charging cycle, the robotic vacuum cleaner will move away from the charging base **D1** and then re-dock itself to resume the charging process, unless it is prevented from doing so by an obstacle.
- In the event of a power outage, the charging cycle will be interrupted and will continue after the power supply is renewed.
- In the event that the maximum charging current is exceeded, the charging base **D1** will automatically interrupt the charging cycle.

MANUAL CHARGING

- If the robotic vacuum cleaner is in standby mode and detects a low battery voltage, then the robotic vacuum cleaner will make an voice message "Please Charge". When this happens, press button **A12** (HOME) on the control panel **A3** or button **B7** (HOME) on the remote control. The robotic vacuum cleaner will automatically seek out the charging base **D1** and start automatic charging as described in the previous chapter.
- In the event that the built-in battery **C1** is so flat that the vacuum cleaner is unable to seek out the charging base, the message "Lo" (low voltage) will appear on the display. In this case, it is necessary to dock the vacuum cleaner into the charging base **D1** manually. Check that the charging base is connected to a power socket before doing this. This is signalled by indicator light **D7** being lit. Switch **A13** of the robotic vacuum cleaner must be in position **I** (On).
- Grasp the robotic vacuum cleaner and manually place it into the charging base **D1** so that the charging contacts **A15** on the underside of the robotic vacuum cleaner and the charging contacts **D4** on the charging base are connected. When the contacts are connected, the charging process will start.



Note:

The robotic vacuum cleaner can also be charged without using the charging base. Insert the power adapter connector **D6** into socket **A5** of the vacuum cleaner, and insert the power cord plug into a power socket.

CARING FOR THE BUILT-IN BATTERY

- We recommend that you do not interrupt the charging cycle and to maintain the battery **C1** in a charged state.
- Do not leave the robotic vacuum cleaner standing fully charged or completely flat for an unnecessarily long period of time.
- A battery **C1** that is allowed to remain flat for a long time may self-discharge below a permissible level and thereby cause irreparable damage to itself.

TROUBLESHOOTING AND ERROR MESSAGES

- The robotic vacuum cleaner is itself able to identify problems and report them via a warning acoustic signal. When this happens, the vacuum cleaner will stop and the error code is shown on the display **A6**.
- The table below will help you identify the cause and to remedy the problem. Once the problem is resolved, you may put the vacuum cleaner back into operation.

ERROR MESSAGE CODE	CAUSE	SOLUTION
E2	Power supply interruption during recharging or the robotic vacuum cleaner was turned off using switch A13 .	<ul style="list-style-type: none"> There was a power outage while the robotic vacuum cleaner was being charged. Charging will automatically continue once power is restored. If not, press the HOME button on the vacuum cleaner or on the remote control. Turn on the power supply to the robotic vacuum cleaner by setting switch A13 to position I (On).
E3	Low voltage on the supply current for charging or a failure of the automatic recharge.	Check that the power adapter D5 is correctly connected to the charging base and that the power plug is properly inserted in a power socket. Start the charging process again. If the vacuum cleaner does not start charging, contact a service centre.
E11	Fall hazard on the left side of the vacuum cleaner.	The anti-fall sensor detected an area into which the vacuum cleaner could fall. Move the vacuum cleaner to a different location. Clean the anti-fall sensor.
E12	Fall hazard on the right side of the vacuum cleaner.	
E13	Fall hazard on the front side of the vacuum cleaner.	
E21	The left wheel A18 is in the air.	Check that the respective vacuum cleaner wheel is firmly on the floor. If the vacuum cleaner rode onto an obstacle or is hanging over a gap, take it elsewhere. Check that the respective wheel is turning freely and if necessary remove any dirty material.
E22	The right wheel A25 is in the air.	
E23	The front wheel A22 is in the air.	

E31	The impact sensor on the left side detected an obstacle.	The bumper bar sensor on the respective side of the vacuum cleaner detected an obstacle. Remove the obstacle or move the vacuum cleaner to a different location.
E32	The impact sensor on the right side detected an obstacle.	
E33	The impact sensor on the front side detected an obstacle.	
E41	Left wheel A18 is overloaded.	The wheel motor was overloaded and it subsequently jammed as a result of dirty material. Check that the respective wheel is turning freely and if necessary remove any dirty material.
E42	Right wheel A25 is overload.	
E43	The left side rotary brush A16 is overloaded.	The side brush motor was overloaded and it subsequently jammed as a result of dirty material. Clean out the rotary brush according to the instructions contained the maintenance part of this user's manual.
E44	The right side rotary brush A23 is overloaded.	
E45	Fan motor is overloaded.	The fan motor was overloaded. The dust container A29 is probably completely full or the rotary brush A21 is heavily clogged with dirty material. Clean out the vacuum cleaner according to the instructions contained the maintenance part of this user's manual.
E46	Rotary brush A21 is overloaded.	The brush motor was overloaded and it subsequently jammed as a result of dirty material. Clean out the rotary brush according to the instructions contained the maintenance part of this user's manual.
LO	The battery C1 is almost flat.	The battery is almost flat and the robotic vacuum cleaner is no longer able to travel to the charging base on its own. It is necessary to place it into the base manually.
11:11	The battery is being charged.	Informative announcement – the robotic vacuum cleaner is in the charging mode
FULL	Charging complete.	Informative announcement – the robotic vacuum cleaner is fully charged
CONN	Connecting to Wi-Fi.	Informative announcement – the robotic vacuum cleaner is attempting to connect to the Wi-Fi network
FAIL	Wi-Fi connection error.	Informative announcement – connection to the Wi-Fi network failed
SUCC	Connected to the Wi-Fi network.	Informative announcement – the robotic vacuum cleaner is connected to the Wi-Fi network

- In the event that the robotic vacuum cleaner stops and you are unable to put it back into operation, try turning switch **A13** off and then on again. If the problem persists, please contact an authorised service centre.

CLEANING AND MAINTENANCE

- Prior to cleaning, turn off the robotic vacuum cleaner by setting switch **A13** to position **0** (off) and disconnect the charging base **D1** from the power socket.
- For cleaning, never use abrasive cleaning products, solvents, etc.
- Neglecting cleaning and maintenance may negatively affect the functioning of the vacuum cleaner and lead to its reduced performance.

DUST CONTAINER AND FILTERS

- Empty the dust container **A29** after each use. Press button **A31** to open the lid **A4** and remove the dust container **A29**. Release the side latch **F1** of the lid of the dust container and open the lid **F2**. Take out the filter **F3** and tip the dirty material out of the dust container **A29**. For hygiene reasons, we recommend doing this away from living areas.
- Clean the dust container using a damp cloth. In the event of greater soiling, the dust container **A29** can be completely washed under running water. Before washing, first remove the frame with the filter **F4**. Wash the dust container **A29** with water and dry it well. Put the frame with the filter **F4** back in its place.
- Properly close the lid **F2**. A click indicates that the lid **F2** is closed. Put the dust container **A29** back in its place and close the lid **A4**.

FILTERS

- Clean filters **F3** and **F4** once per week. After emptying the dust container **A29**, remove the filter **F3** and the frame with the filter **F4** (HEPA). Take the filter **F4** out of the frame and together with the filter **F3**, tap it out away from living areas. In the event of greater soiling, you may wash the filter **F3** under running lukewarm water.

After washing it, allow the filter **F3** to dry naturally. Clean the filter **F4** (HEPA) using the included brush **F5**. Put the cleaned filters **F3** and **F4** back in their place. Before putting the filters **F3** and **F4** back in their place, make sure that they are completely dry. For hygiene reasons, we recommend that filters **F3** and **F4** are replaced every three months.



Note:

Filter **F4** is a HEPA type filter, which means that it is a very effective filter of airborne particles. Its purpose is to capture the finest dust particles that are not captured by filter **F3**.

MOP

- After every use of the mop function, remove the antistatic duster **E9**, wash it by hand in lukewarm water with the addition of a small amount of gentle washing powder and allow it to dry naturally. Wipe the holder **E1** using a lightly dampened cloth and then wipe it dry.

CENTRAL ROTARY BRUSH

- Push on the latch **G1** of the central rotary brush **A21** and take out the rotary brush **A21** together with the complete cover **G2** and **G4**.
- Use a dry wiping cloth to clean out the suction hole **A30** and the area in which the rotary brush **A21** is housed.
- Push down on the latches **G3** of the top cover **G2** and remove the top cover **G2**. Then open the clamp **G5** and take the rotary brush out of the bottom cover **G4**. Remove any dirt and material (dust, wound on hair, animal fur, etc.) from the brush **G6** of the rotary brush **A21**.
- Reinstall the rotary brush **A21** back in reverse sequence to its removal.

SIDE ROTARY BRUSHES

- Remove the side rotary brushes **A16** and **A23** by pulling them upwards. Remove any dirt and material from the rotary brushes **A16** and **A23** and from the area where they were attached. After cleaning them, reattach them. If they are worn out, replace them with a new ones.

COMPLETE ROBOTIC VACUUM CLEANER

- Regularly wipe the surface of the robotic vacuum cleaner using a soft dry wiping cloth.
- At least once per week or more frequently, clean out the front swivel wheel **A22**, motorised wheels **A18** and **A25**, the central rotary brush **A21**, suction hole **A30**, side rotary brushes **A16** and **A23**, charging contacts **A15**, front bumper bar sensors **A2**, bottom sensors **A14**, **A17**, **A19**, **A24** and **A27** and the charging base **D1**.
- First remove any coarser dirt from the front swivel wheel **A22** and the motorised wheels **A18** and **A25**. Then clean them around their entire perimeter using a lightly dampened cloth and wipe them dry. Do not forget to also clean the area around the wheels.
- Wipe the sensors located in the bumper bar **A2**, sensors **A14**, **A17**, **A19**, **A24** and **A27** on the underside of the robotic vacuum cleaner, the surface of the charging base **D1** and the charging contacts **D4** using a dry soft cloth or cotton buds.

STORAGE

When not using the robotic vacuum cleaner for an extended period of time, do the following:

- Clean the robotic vacuum cleaner as described in chapter Cleaning and maintenance.
- Disconnect the battery **C1** and remove it from the robotic vacuum cleaner as described in chapter Inserting and removing the battery.
- Remove the batteries from the remote control **B1** according to the procedure Inserting and replacing batteries in the remote control.
- Disconnect the charging base **D1** from the power socket.
- Store the robotic vacuum cleaner with all its accessories in a dry, clean and cool place.

TECHNICAL SPECIFICATIONS

Robotic vacuum cleaner

Dimensions (diameter x height)	335x85 mm
Weight	2.5 kg
Operating time per single charge	up to 120 min
Dust container capacity	500 ml

Power adapter

Rated voltage range	100–240 V AC
Rated frequency	50/60 Hz
Output	5–30 V, 2.1 A

Battery

Type	2,150 mAh Li-Ion
Output	14.4 V
Input	0.4 A
Power	600 mA
Charging time	4–6 h

Charging station

Rated voltage range	100–240 V AC
Rated frequency	50/60 Hz
Output	24 V, 600 mA

The declared noise emission level is lower than 60 dB(A), which represents a level A of sound power with respect to a reference sound power of 1 pW.

EXPLANATION OF TECHNICAL TERMINOLOGY



Safety class for electrical shock protection:

Class II – Electrical shock protection is provided by double or heavy-duty insulation.

Changes to text and technical parameters are reserved.

DISPOSAL OF USED BATTERIES

Prior to handing over the product at a specialised collection facility, it is necessary to ensure that the built-in battery is removed. Before removing the battery, check that switch **A13** is set to position 0 (off). Screw out the screws from the cover **A20** and remove the cover **A20**. Disconnect the connector **C3** from connector **C2** and remove the battery **C1**. Reattach the battery cover **A20**.



This symbol indicates that used batteries do not belong in ordinary municipal waste. Hand over used batteries to designated collection points for proper disposal. Correct disposal of batteries will help prevent negative impacts on the environment and human health.

Disposal in other countries outside the European Union.

This symbol is valid in the European Union. If you wish to dispose of used batteries, request the necessary information about the correct disposal method from the local authorities or from your vendor.

INSTRUCTIONS AND INFORMATION REGARDING THE DISPOSAL OF USED PACKAGING MATERIALS

Disposal of used packaging material at a site designated for waste in your municipality.

DISPOSAL OF USED ELECTRICAL AND ELECTRONIC EQUIPMENT



This symbol on products or original documents means that used electric or electronic products must not be added to ordinary municipal waste. For proper disposal, renewal and recycling hand over these appliances to determined collection points. Alternatively, in some European Union states or other European countries you may return your appliances to the local retailer when buying an equivalent new appliance. Correct disposal of this product helps save valuable natural resources and prevents potential negative effects on the environment and human health, which could result from improper waste disposal. Ask your local authorities or collection facility for more details. In accordance with national regulations penalties may be imposed for the incorrect disposal of this type of waste.



This product meets all the basic requirements of EU directives related to it.

For business entities in European Union states

If you want to dispose of electric or electronic appliances, ask your retailer or supplier for the necessary information.

Disposal in other countries outside the European Union.

This symbol is valid in the European Union. If you wish to dispose of this product, request the necessary information about the correct disposal method from the local council or from your retailer.

Link to the applications for controlling the vacuum cleaner: