

SOPHIA

MULTI-ZONE

INVERTER

**WIRED CONTROL FOR
AIR CONDITIONER**

INSTALLATION MANUAL

IMPORTANT NOTE:

Read this manual carefully before installing or operating your wired remote control. Make sure to save this manual for future reference.

Table of Contents

Wall-Mounted Remote Control Wiring.....	1
Wall-Mounted Remote Control Installation	6

Wall-Mounted Remote Control Wiring



WARNING

- The wiring should adapt to the wire control current. Otherwise, electric leakage or overheating may occur and result in fire.
- The specified cables **must** be used in the wiring. No external force **should** be applied to the terminal. Otherwise, the wire may be damaged and heating may occur and result in fire.



CAUTION

- The shielded wire must be grounded.
- The connecting cable shouldn't be longer than 20 m (65.5 ft).
- The remote control operates on a low-voltage circuit loop. **DO NOT** connect a 220V or 380V cable to it.
- Make sure the configured tubes are 30-50 cm (12-20 ft) or more apart.
- **DO NOT** employ an ohmmeter to detect the insulation after wiring the remote control.

An overview of the wall-mounted remote control wire outlet

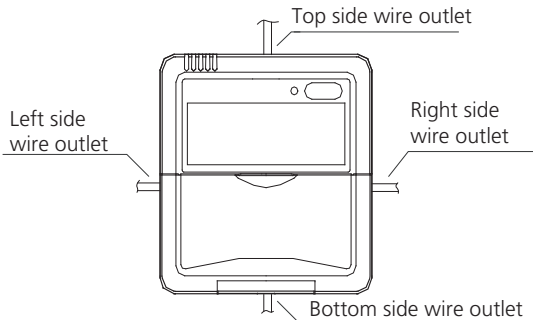


Fig. 1

1. Wiring diagram

Refer to the following diagram to wire the wall-mounted remote control to the indoor unit.

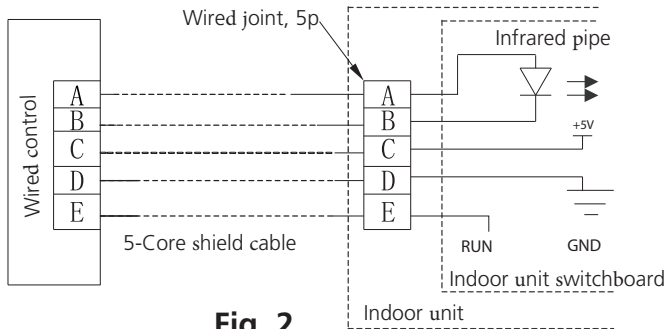


Fig. 2

2. Installation Diagram

Connect the wire from the display panel of the indoor unit to a connecting cable. Then connect the other side of the connecting cable to the remote control.

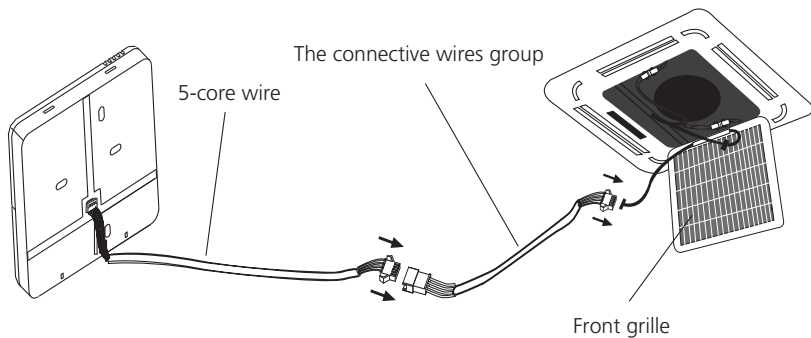


Fig. 3

NOTE: Be sure to reserve a length of the connecting wire for periodic maintenance.

NOTE: DO NOT allow water to enter the remote control.
Use the trap and putty to seal the wires.

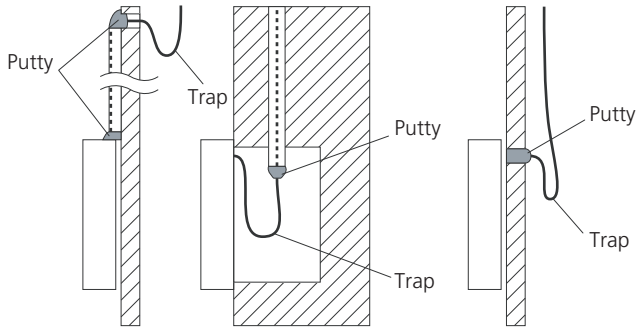


Fig. 4

- For exposed mounting, cut holes on four of the sides according to Fig. 5.
- For shielded wiring, please refer to Fig. 6.

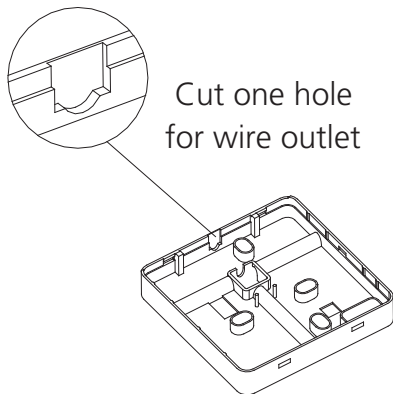
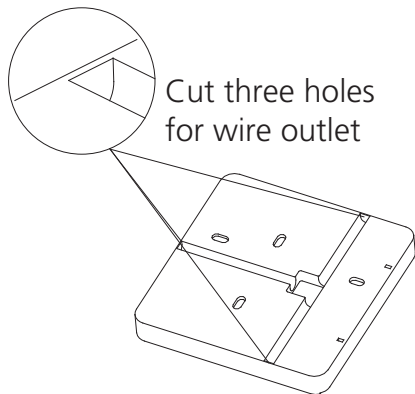
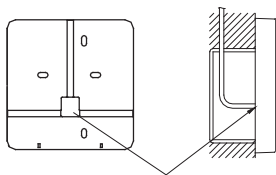


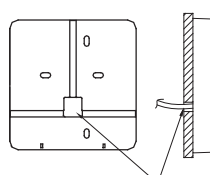
Fig. 5

Embedded switch box wiring

Wiring through the wall



Wiring hole



Wall hole and wiring hole
Diameter of wall hole: Φ 2cm

Fig. 6

Wall-Mounted Remote Control Installation



WARNING

DO NOT operate the unit with wet hands, as this could lead to electrical shock.

Remote Control Dimensions

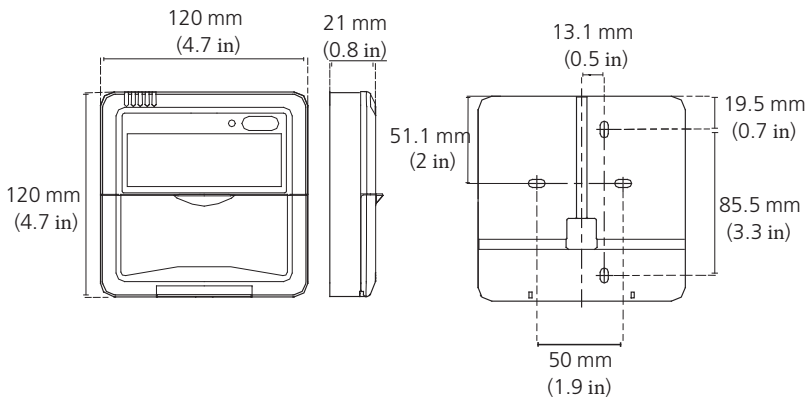


Fig. 7

Preparation before Installation

1. Be sure you have the following parts:

Table 1

No	Name	Quantity	Remarks
1	Remote control	1	
2	Screws	3	M4x20 (for mounting on the wall)
3	Anchors	3	For mounting on the wall
4	Screws	2	M4x25 (for mounting on switch box)
5	Plastic screw bars	2	For fixing on the switch box
6	The connective wires group	1	Optional

2. Prepare the following tools:

Table 2

No	Name	Quantity
1	Switch box	1
2	Wiring tube (insulating sleeve and tightening screw)	1

3. Select installation location:

DO NOT install the remote control near flammable liquids or gases such as gasoline or hydrogen sulfide. This will create a fire hazard.

Installation Method

1. Remove the top panel of the remote control:
Insert a screwdriver into the two slots at the bottom of the remote control to pop off the top panel.

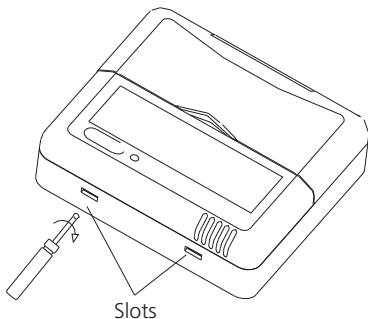


Fig. 8

NOTE: The printed circuit board (PCB) is mounted in the upper part of the remote control. Be careful not to damage the board with the screwdriver.

2. Mount the back plate of the remote control:
 - a. For exposed mounting, fasten the back plate to the wall with 3 screws (M4×20) and anchors.

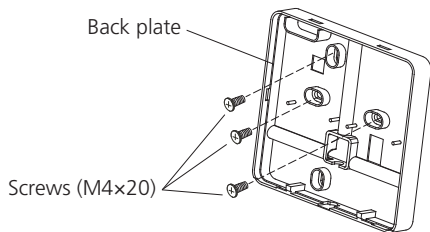


Fig. 9

- b. For flush mounting, fasten the back plate to the switch box with 2 screws (M4x25) and fasten the back plate to the wall with 1 screw (M4x20).

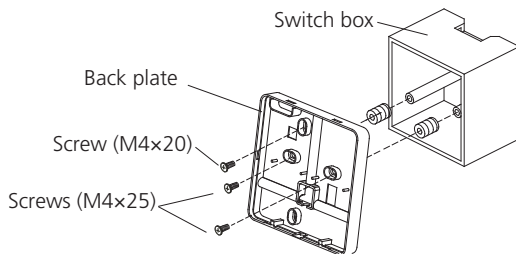


Fig. 10

NOTE: Place the unit on a flat surface. Be careful not to distort the back plate of the remote control by over-tightening the screws.

3. Set the time and date:

The remote control has a small, built-in battery that allows the time and date to be set. This allows the remote control to keep time even during a power outage. When the unit displays an incorrect time and date, the batteries need to be replaced.

4. Reattach the top panel of the remote control:

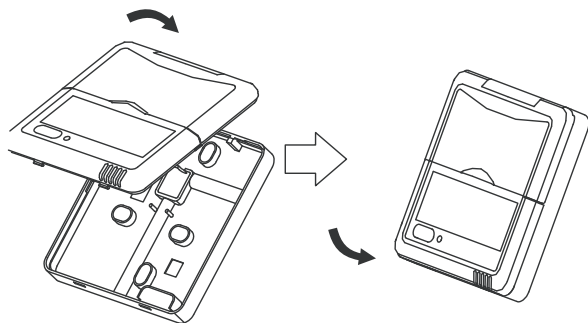


Fig. 11

! **CAUTION**

DO NOT clamp the wires when reattaching the top panel.

QSYI-005AEN

The design and specifications are subject to change without prior notice for product improvement. Consult with the sales agency or manufacturer for details.