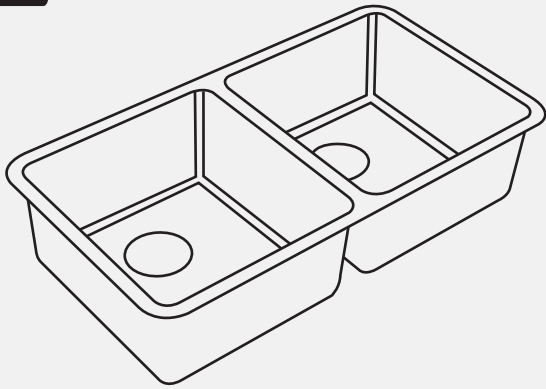


STAINLESS STEEL UNDERMOUNT SINK INSTALLATION INSTRUCTIONS

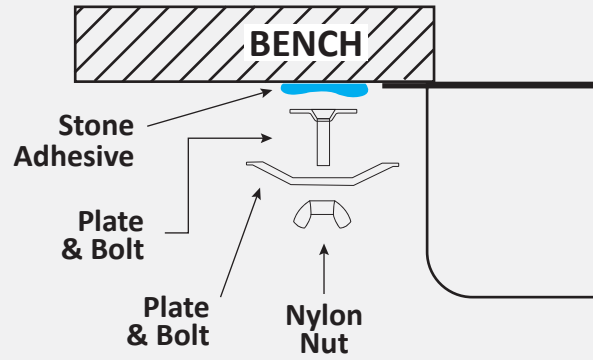
1



NOTE: paper and cardboard templates where supplied are only to be used as a guide.

Using the actual sink ensures a more accurate cutout.

2

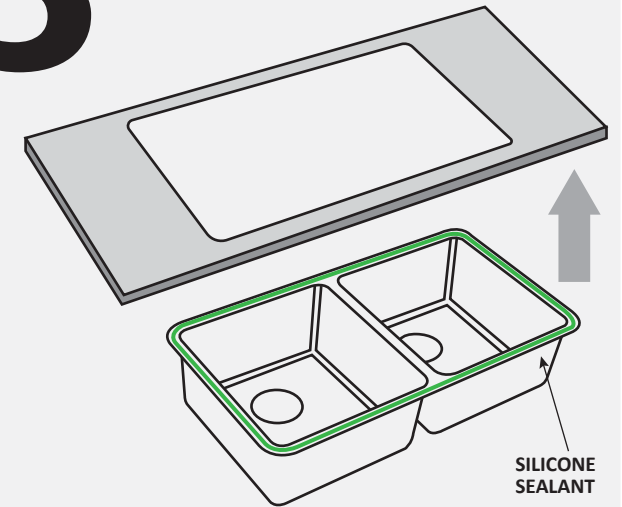


Plates & bolts should be positioned 10mm from the sink edge.

Use a stone adhesive, to attach bolts to the underside of the benchtop.

Allow sufficient time for adhesive to cure.

3



Clean the bottom of the countertop and the top flange (or lip) of the sink with methylated spirits. Then apply a bead of silicone to the top edge of the bowl.

Position sink in place then install the bridge plates and tighten the nylon nuts. Note each clip is designed to support >30kg, when used with stone or stonelike benchtop.

Templates are supplied only as a guide. The physical use of the sink will ensure a more accurate cutout. Abey recommends that undermount sinks and routing of your solid surface material should be installed by a professional installer for best results. Warranty is voided if epoxy or adhesive is used to secure the sink to the bench.

