



ULTRA WASH[®] HE Dishwasher

Use & Care Guide

Lavavajillas ULTRA WASH[®] HE

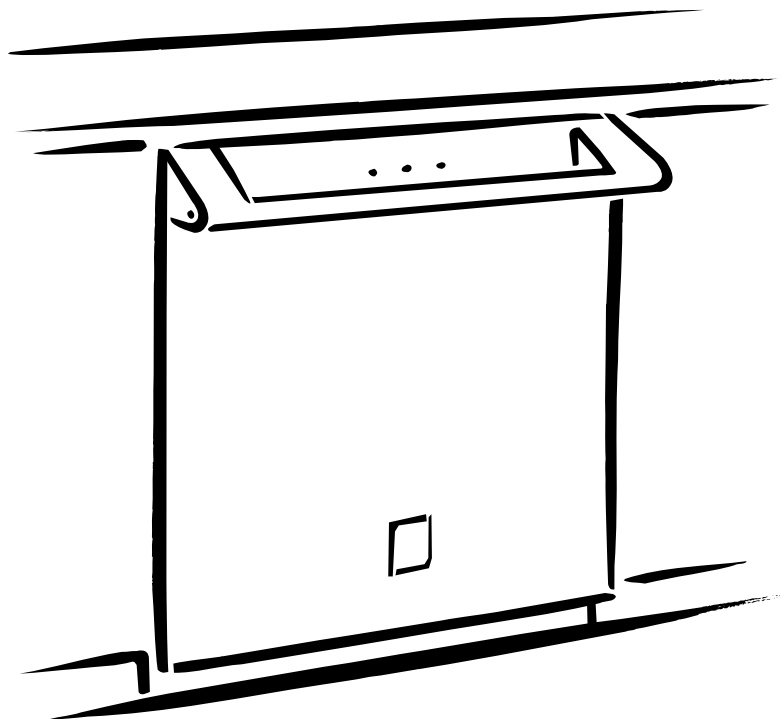
Manual de uso y cuidado

Lave-vaisselle ULTRA WASH[®] HE

Guide d'utilisation et d'entretien

Models/Modelos/Modèles 665.1317*

* = color number, número de color, numéro de couleur



ENGLISH ESPAÑOL FRANÇAIS

TABLE OF CONTENTS

PROTECTION AGREEMENTS.....	2
WARRANTY	3
DISHWASHER SAFETY	4
PARTS AND FEATURES.....	6
START-UP / QUICK REFERENCE	7
ULTRA WASH [®] ^{HE} FILTRATION SYSTEM.....	8
DISHWASHER EFFICIENCY TIPS.....	9
DETERGENT AND RINSE AID.....	10
Detergent.....	10
Rinse Aid	10
LOADING.....	11
Loading For Best Performance.....	11
Top Rack Loading.....	12
Bottom Rack Loading	15
DISHWASHER USE.....	19
Cycles and Options Information	19
Canceling A Cycle.....	21
Changing A Cycle After Dishwasher Is Started.....	21
Adding A Dish After Dishwasher Is Started	22
WASHING SPECIAL ITEMS.....	22
DISHWASHER CARE	23
Cleaning.....	23
Drain Air Gap.....	23
Storing	23
TROUBLESHOOTING	24
SERVICE NUMBERS.....	BACK COVER

PROTECTION AGREEMENTS

Master Protection Agreements

Congratulations on making a smart purchase. Your new Kenmore[®] product is designed and manufactured for years of dependable operation. But like all products, it may require preventive maintenance or repair from time to time. That's when having a Master Protection Agreement can save you money and aggravation.

The Master Protection Agreement also helps extend the life of your new product. Here's what the Agreement* includes:

- ✓ **Parts and labor** needed to help keep products operating properly **under normal use**, not just defects. Our coverage goes **well beyond the product warranty**. No deductibles, no functional failure excluded from coverage— **real protection**.
- ✓ **Expert service** by a force of more than 10,000 authorized **Sears service technicians**, which means someone you can trust will be working on your product.
- ✓ **Unlimited service calls and nationwide service**, as often as you want us, whenever you want us.
- ✓ **"No-lemon" guarantee** – replacement of your covered product if four or more product failures occur within twelve months.
- ✓ **Product replacement** if your covered product can't be fixed.
- ✓ **Annual Preventive Maintenance Check** at your request – no extra charge.
- ✓ **Fast help by phone** – we call it **Rapid Resolution** – phone support from a Sears representative on all products. Think of us as a "talking owner's manual."
- ✓ **Power surge protection** against electrical damage due to power fluctuations.
- ✓ **\$250 Food Loss Protection** annually for any food spoilage that is the result of mechanical failure of any covered refrigerator or freezer.
- ✓ **Rental reimbursement** if repair of your covered product takes longer than promised.
- ✓ **10% discount** off the regular price of any non-covered repair service and related installed parts.

Once you purchase the Agreement, a simple phone call is all that it takes for you to schedule service. You can call anytime day or night, or schedule a service appointment online.

The Master Protection Agreement is a risk free purchase. If you cancel for any reason during the product warranty period, we will provide a full refund. Or, a prorated refund anytime after the product warranty period expires. Purchase your Master Protection Agreement today!

Some limitations and exclusions apply. For prices and additional information in the U.S.A. call 1-800-827-6655.

***Coverage in Canada varies on some items. For full details call Sears Canada at 1-800-361-6665.**

Sears Installation Service

For Sears professional installation of home appliances, garage door openers, water heaters, and other major home items, in the U.S.A. or Canada call **1-800-4-MY-HOME[®]**.

KENMORE PRO™ APPLIANCE WARRANTY

ONE YEAR LIMITED WARRANTY

When installed, operated and maintained according to all instructions supplied with the product, if this appliance fails due to a defect in material or workmanship within one year from the date of purchase, call 1-800-4-MY-HOME® to arrange for free repair.

TWO-YEAR LIMITED WARRANTY ON ELECTRONIC CONTROL AND POWER SUPPLY BOARD

For two years from the date of purchase, when this dishwasher is installed, operated and maintained according to all instructions supplied with the product, Sears will replace any part of the electronic module and power supply board that fails due to defective materials or workmanship. After the first year, customer assumes any labor costs associated with replacement of these parts.

TWO-YEAR LIMITED WARRANTY ON THE ULTRA WASH WASH SYSTEM

For two years from the date of purchase, when this dishwasher is installed, operated and maintained according to all instructions supplied with the product, Sears will replace any part of the Ultra Wash wash system (motor, pump, spray arms, spray tower, motor seals and pump gasket) that fails due to defective materials or workmanship. After the first year, customer assumes any labor costs associated with replacement of these parts.

FIVE-YEAR LIMITED WARRANTY ON UPPER AND LOWER RACKS

For five years from the date of purchase, when this dishwasher is installed, operated and maintained according to all instructions supplied with the product, Sears will replace parts for the upper or lower dish rack if the rack rusts due to defective materials or workmanship. After the first year, customer assumes any labor costs associated with dish rack replacement.

LIMITED WARRANTY FOR THE LIFE OF THE DISHWASHER, ON KENMORE PRO STAINLESS STEEL TUB MODELS, AGAINST LEAKS IN THE TUB AND INNER DOOR PANEL

For the life of the dishwasher, if a leak should occur as a result of rust-through of the stainless steel tub or inner door panel, Sears will replace the tub or inner door panel free of charge.

If this appliance is used for other than private family purposes, this warranty applies for only 90 days from the date of purchase.

THIS WARRANTY COVERS ONLY DEFECTS IN MATERIAL AND WORKMANSHIP. SEARS WILL NOT PAY FOR:

1. Expendable items that can wear out from normal use, including but not limited to filters, belts, light bulbs, and bags.
2. A service technician to instruct the user in correct product installation, operation or maintenance.

3. A service technician to clean or maintain this product.
4. Damage to or failure of this product if it is not installed, operated or maintained according to all instructions supplied with the product.
5. Damage to or failure of this product resulting from accident, abuse, misuse or use for other than its intended purpose.
6. Damage to or failure of this product caused by the use of detergents, cleaners, chemicals or utensils other than those recommended in all instructions supplied with the product.
7. Damage to or failure of parts or systems resulting from unauthorized modifications made to this product.

DISCLAIMER OF IMPLIED WARRANTIES; LIMITATION OF REMEDIES

Customer's sole and exclusive remedy under this limited warranty shall be product repair as provided herein. Implied warranties, including warranties of merchantability or fitness for a particular purpose, are limited to one year or the shortest period allowed by law. Sears shall not be liable for incidental or consequential damages. Some states and provinces do not allow the exclusion or limitation of incidental or consequential damages, or limitations on the duration of implied warranties of merchantability or fitness, so these exclusions or limitations may not apply to you.

This warranty applies only while this appliance is used in the United States and Canada.

This warranty gives you specific legal rights, and you may also have other rights which vary from state to state.

Sears, Roebuck and Co.
Dept. 817WA, Hoffman Estates, IL 60179

Sears Canada Inc.
Toronto, Ontario, Canada M5B 2B8

PRODUCT RECORD

In the space below, record your complete model number, serial number, and purchase date. You can find this information on the model and serial number label located on the product.

Have this information available to help you obtain assistance or service more quickly whenever you contact Sears concerning your appliance.

Model number _____

Serial number _____

Purchase date _____

Save these instructions and your sales receipt for future reference.



DISHWASHER SAFETY

Your safety and the safety of others are very important.

We have provided many important safety messages in this manual and on your appliance. Always read and obey all safety messages.



This is the safety alert symbol.

This symbol alerts you to potential hazards that can kill or hurt you and others.

All safety messages will follow the safety alert symbol and either the word "DANGER" or "WARNING." These words mean:

⚠ DANGER

You can be killed or seriously injured if you don't immediately follow instructions.

⚠ WARNING

You can be killed or seriously injured if you don't follow instructions.

All safety messages will tell you what the potential hazard is, tell you how to reduce the chance of injury, and tell you what can happen if the instructions are not followed.

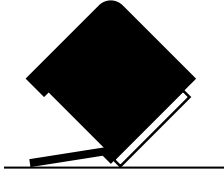
IMPORTANT SAFETY INSTRUCTIONS

WARNING: When using the dishwasher, follow basic precautions, including the following:

- Read all instructions before using the dishwasher.
- Use the dishwasher only for its intended function.
- Use only detergents or rinse agents recommended for use in a dishwasher, and keep them out of the reach of children.
- When loading items to be washed:
 - 1) Locate sharp items so that they are not likely to damage the door seal; and
 - 2) Load sharp knives with the handles up to reduce the risk of cut-type injuries.
- Do not wash plastic items unless they are marked "dishwasher safe" or the equivalent. For plastic items not so marked, check the manufacturer's recommendations.
- Do not touch the heating element during or immediately after use.
- Do not operate the dishwasher unless all enclosure panels are properly in place.
- Do not tamper with controls.
- Do not abuse, sit on, or stand on the door, lid, or dish racks of the dishwasher.
- To reduce the risk of injury, do not allow children to play in or on the dishwasher.
- Under certain conditions, hydrogen gas may be produced in a hot water system that has not been used for two weeks or more. **HYDROGEN GAS IS EXPLOSIVE.** If the hot water system has not been used for such a period, before using the dishwasher turn on all hot water faucets and let the water flow from each for several minutes. This will release any accumulated hydrogen gas. As the gas is flammable, do not smoke or use an open flame during this time.
- Remove the door or lid to the washing compartment when removing an old dishwasher from service or discarding it.

SAVE THESE INSTRUCTIONS

⚠ WARNING



Tip Over Hazard

Do not use dishwasher until completely installed.

Do not push down on open door.

Doing so can result in serious injury or cuts.

GROUNDING INSTRUCTIONS

■ **For a grounded, cord-connected dishwasher:**

The dishwasher must be grounded. In the event of a malfunction or breakdown, grounding will reduce the risk of electric shock by providing a path of least resistance for electric current. The dishwasher is equipped with a cord having an equipment-grounding conductor and a grounding plug. The plug must be plugged into an appropriate outlet that is installed and grounded in accordance with all local codes and ordinances.

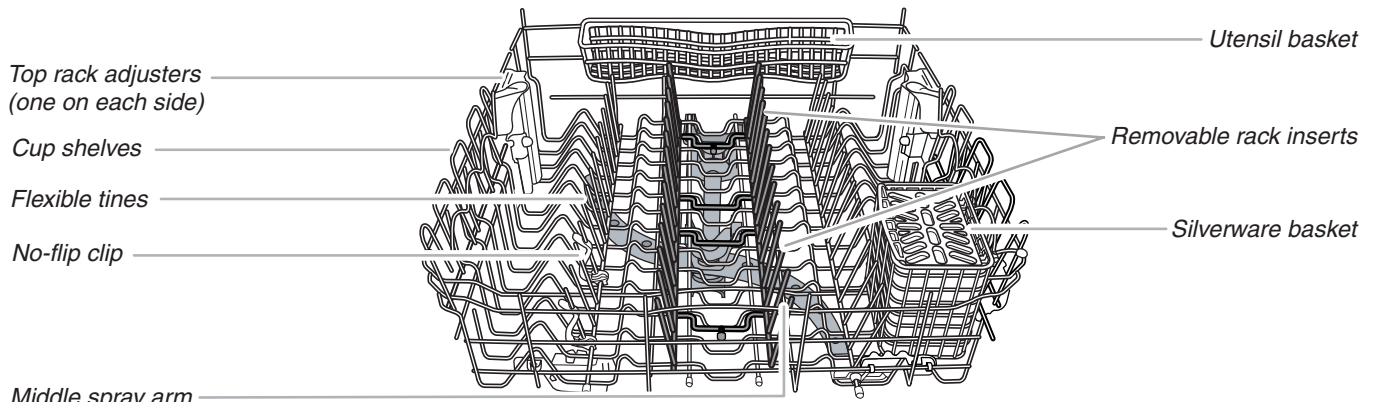
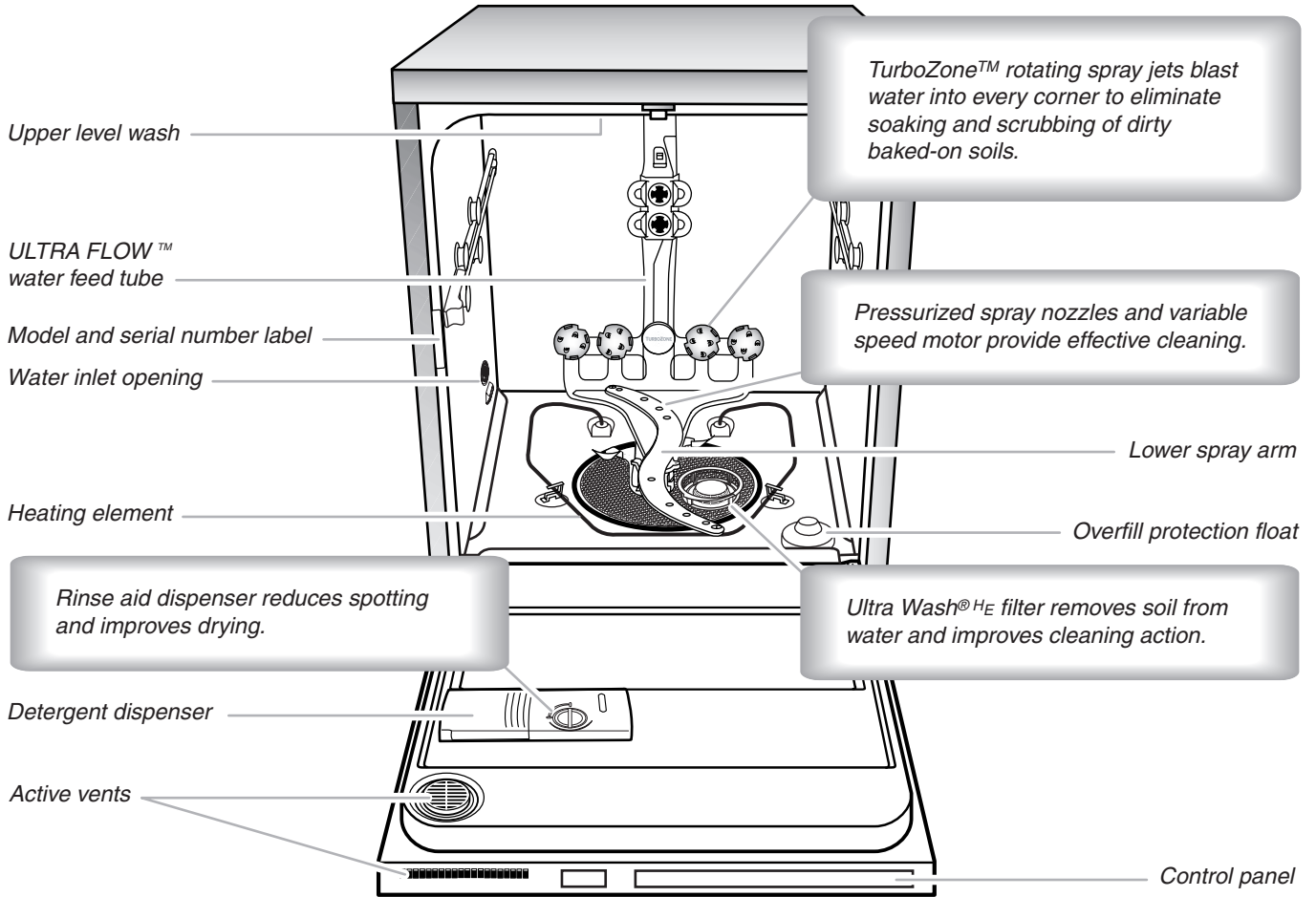
WARNING: Improper connection of the equipment-grounding conductor can result in a risk of electric shock. Check with a qualified electrician or service representative if you are in doubt whether the dishwasher is properly grounded. Do not modify the plug provided with the dishwasher; if it will not fit the outlet, have a proper outlet installed by a qualified electrician.

■ **For a permanently connected dishwasher:**

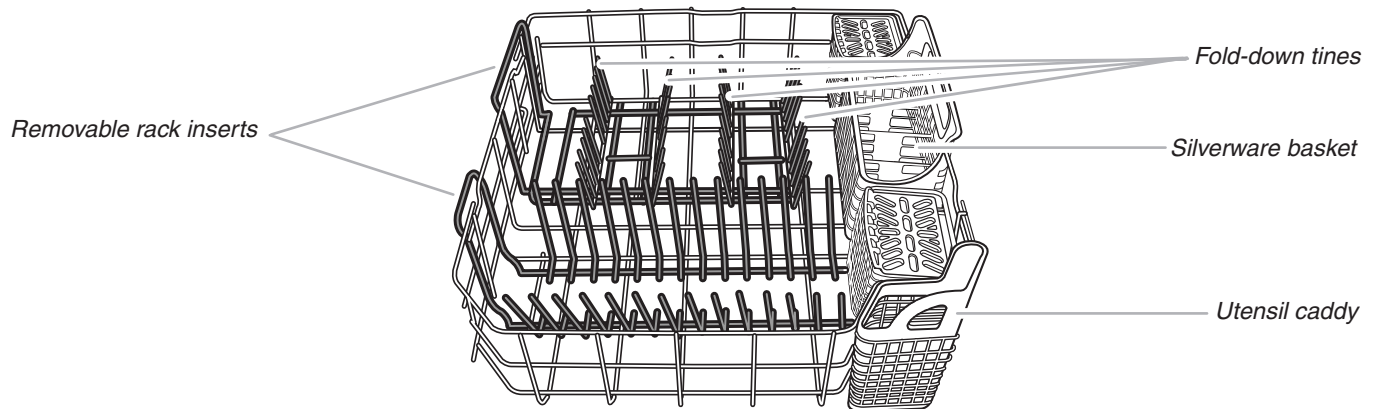
The dishwasher must be connected to a grounded metal, permanent wiring system, or an equipment-grounding conductor must be run with the circuit conductors and connected to the equipment-grounding terminal or lead on the dishwasher.

SAVE THESE INSTRUCTIONS

PARTS AND FEATURES



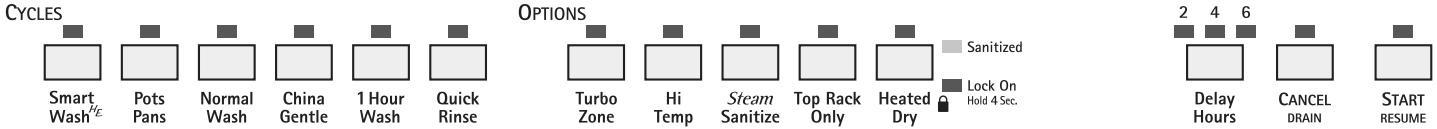
TOP RACK



BOTTOM RACK

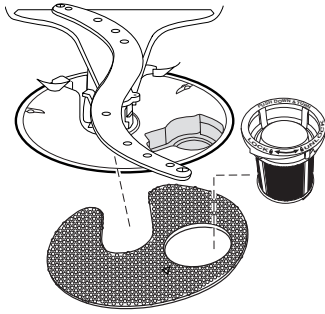


START-UP / QUICK REFERENCE



ULTRA WASH^{HE} removable filters provide peak performance.

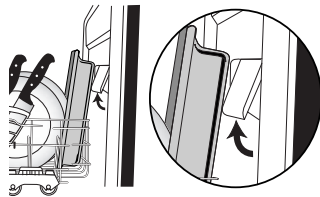
The triple filter system has a Coarse Filter to keep oversized items and foreign objects out of the pump, a Fine Filter to keep food from being recirculated onto your dishware, and a Micro Filter to capture very fine food particles.



See "ULTRA WASH^{HE} FILTRATION SYSTEM" for information on removing and maintaining the filters.

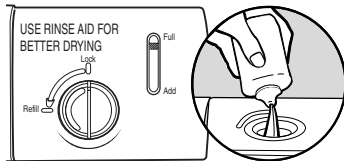
IMPORTANT: Do not block detergent dispenser.

Tall items placed in the lower rack may block the dispenser door. Cookie sheets and cutting boards loaded on the left-hand side of the dishwasher can easily block the dispenser. If detergent is inside of the dispenser or on the bottom of the tub after the cycle is complete, the dispenser was blocked.



Drying - Rinse Aid is essential.

You must use rinse aid for good drying performance. (Fill dispenser with the entire sample included). Rinse aid along with the Heated Dry option will provide best drying and avoid excessive moisture in the dishwasher interior.



1 Hour Wash - When you need fast results.

To save water and energy, High Efficiency dishwashers use advanced filtration which may result in longer cycle times (in some cases over 2 hours). When you need fast results, the 1 Hour Wash will clean your dishes using slightly more water and energy. For improved drying, select the Heated Dry option, adding 1/2 hour.



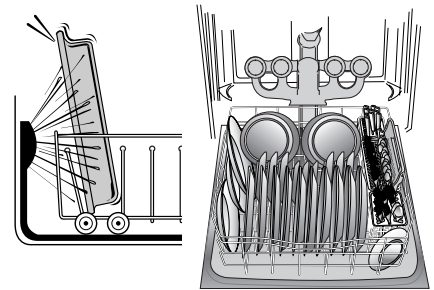
SmartWash^{HE} cycle

Optical soil sensors are used in the cycle to provide optimal energy and water consumption based on load size, soil amount and toughness of soil. The sensors also automatically calibrate throughout the life of your dishwasher to maintain cleaning performance based on your water conditions.



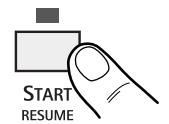
TurboZone™ loading

When the TurboZone™ option is selected, it provides a concentrated wash on the back of the lower dish rack for hard-to-clean dishes.



Press START/RESUME every time you add a dish.

To start and resume a cycle, press START/RESUME and close the door within 3 seconds. If the door is not closed within 3 seconds, the start button LED will flash and the cycle will not start.



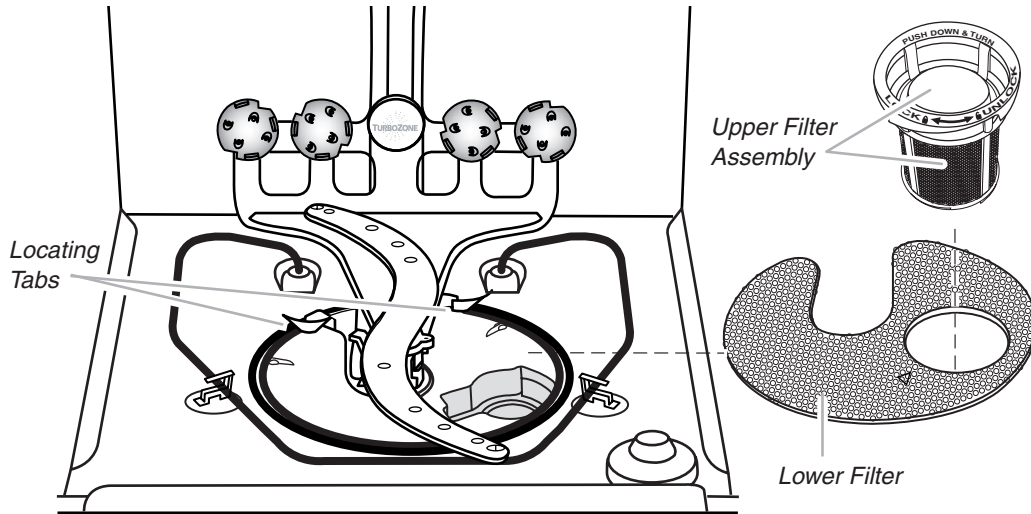
IMPORTANT: If anyone opens the door (such as, adding a dish, even during the Delay Hours option), the START/RESUME button must be pressed each time and the door closed within 3 seconds to resume the cycle.

ULTRA WASH[®] HE FILTRATION SYSTEM

Your dishwasher has the latest technology in dishwasher filtration. This triple filtration system minimizes sound and optimizes water and energy consumption while providing superior cleaning performance. Throughout the life of your dishwasher, the filter will require maintenance to sustain peak cleaning performance.

The triple filter system consists of 2 parts, an upper filter assembly and a lower filter.

- The upper filter assembly keeps oversized items and foreign objects, along with very fine food particles out of the pump.
- The lower filter keeps food from being recirculated onto your dishware.



The filters may need to be cleaned when:

- Visible objects or soils are on the Upper Filter Assembly.
- There is degradation in cleaning performance (that is, soils still present on dishes).
- Dishes feel gritty to the touch.

Removing and maintaining the filters is very easy. The chart below shows the recommended cleaning frequency.

Recommended time interval to clean your filter.

Number of Loads Per Week	If you wash before loading	If you scrape and rinse before loading	If you only scrape before loading*	If you do not scrape or rinse before loading
1-3	Once per year	Once per year	Twice per year	Every two months
4-7	Once per year	Once per year	Twice per year	Once per month
8-12	Once per year	Twice per year	Every three months	Every two weeks
13-14	Once per year	Twice per year	Every three months	Once per week

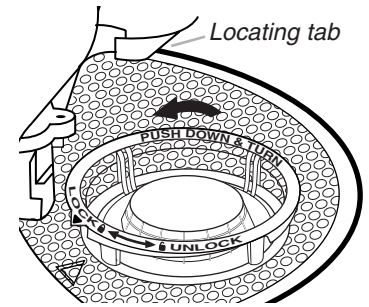
*Manufacturer's recommendation: This practice will eliminate the water and energy that you use preparing your dishes. This will also save you time and effort.

Very Hard Water

If you have hard water (above 15 grains), clean your filter at least once per month. Building up of white residue on your dishwasher indicates hard water. You may bring your water samples to Sears to check hardness level. For tips on removing spots and stains, see "Troubleshooting" section.

Filter Removal Instructions

1. Turn the Upper Filter Assembly $\frac{1}{4}$ turn counterclockwise and lift out.
2. Grasp the Lower Filter in the circular opening, lift slightly, and pull forward to remove.
3. Clean the filters as shown below.



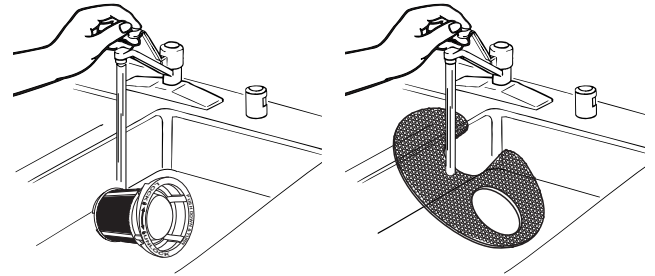
To remove Upper Filter Assembly

Cleaning Instructions

IMPORTANT:

Do not use wire brush, scouring pad, etc. as they may damage the filters.

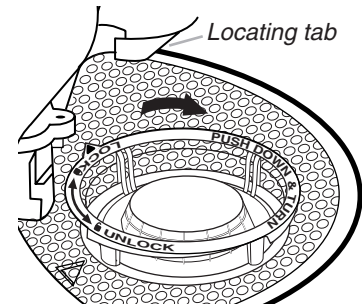
Rinse filter under running water until most soils are removed. If you have hard-to-remove soils or calcium deposits from hard water, a soft brush may be required.



Filter Reinstallation Instructions

1. Noting the previous illustrations, place the Lower Filter under the Locating Tabs in the bottom of the dishwasher so the round opening for the Upper Filter Assembly lines up with the round opening in the bottom of the tub.
2. Insert the Upper Filter Assembly into the circular opening in the Lower Filter.
3. Slowly rotate the filter clockwise until it drops into place. Continue to rotate until the filter is locked into place. If the filter is not fully seated (still turns freely), continue to turn the filter clockwise until it drops and locks into place.

NOTE: The Upper Filter Assembly arrow does not have to align with the arrow in the Lower Filter as long as the filter is locked.



To replace Upper Filter Assembly

IMPORTANT:

To avoid damage to dishwasher, do not operate your dishwasher without the ULTRA WASH^{®HE} filters properly installed. Be sure the Lower Filter is securely in place and the Upper Filter Assembly is locked into place. If the Upper Filter Assembly turns freely, it is not locked into place.

DISHWASHER EFFICIENCY TIPS

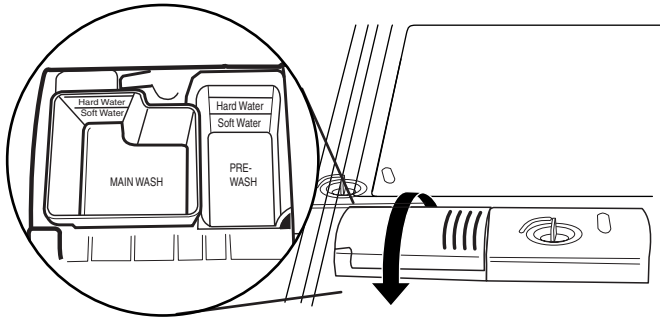
Hot water dissolves and activates the dishwasher detergent. Hot water also dissolves grease on dishes and helps glasses dry spot-free. For best dishwashing results, water should be 120°F (49°C) as it enters the dishwasher. Loads may not wash as well if the water temperature is too low.

Additional efficiency tips

- To save water, energy and time, only scrape dishes. Do not rinse dishes before putting them into the dishwasher.
- Use a delay feature to run your dishwasher during off-peak hours. Local utility providers recommend avoiding heavy usage of energy at certain times of day.
- During the summer, run your dishwasher at night. This reduces daytime heat buildup in the kitchen.
- Use a rinse aid to improve drying.

DETERGENT AND RINSE AID

Detergent



IMPORTANT:

Use only automatic dishwashing detergent. Hand dishwashing detergent will produce excessive suds and overflow out of the dishwasher.

Recommended Detergent Amount

Add recommended amount of detergent to each cup as shown and close the detergent lid.

Powders and Gels

Water Hardness	Soil Level	Pre-Wash Cup	Main Wash Cup
Soft (0-4 grains per U.S. gallon)	Light	None	½
	Normal	None	½
	Heavy	Full	½
Medium (5-9 grains per U.S. gallon)	Light	None	½
	Normal	½	½
	Heavy	Full*	Full*
Hard (10-14 grains per U.S. gallon)	Light	½	Full*
	Normal	Full*	Full*
	Heavy	Full*	Full*

*Full pre-wash cup contains 7 tsp (35 mL), and full main wash cup contains 9 tsp (45 mL).

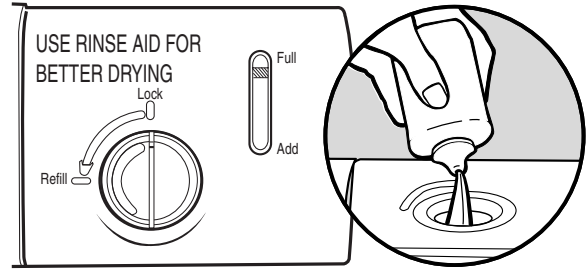
Premeasured Detergents

Many detergents now come in premeasured forms (gel packs, tablets, or powder packs). These forms are suitable for all hardness and soil levels. Always place premeasured detergents in the main cup and close the lid.

IMPORTANT:

Extremely hard water mineral deposits (15 grains per U.S. gallon or more) can cause damage to your dishwasher and make it difficult to achieve good results. A water softener is recommended to avoid damage and achieve good results. You may bring your water samples to Sears to check hardness level.

Rinse Aid



IMPORTANT:

Your dishwasher is designed to use a liquid rinse aid. The use of rinse aids greatly improves drying by allowing water to drain from the dishes after the final rinse. They also keep water from forming droplets that can dry as spots or streaks.

Filling the dispenser

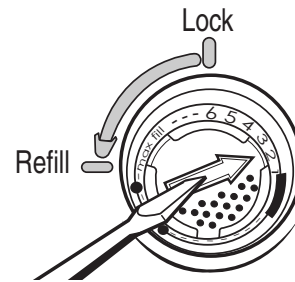
The dispenser holds 5 oz (150 mL) of rinse aid. Under most conditions this will last 1 to 3 months.

1. Turn the knob to the REFILL position and remove.
2. Pour rinse aid into the opening until the indicator points to FULL. Do not overfill.
3. Clean up any spilled rinse aid. Spilled rinse aid can create excessive suds.
4. Replace the knob and turn to the LOCK position.

NOTE: Indicator reads correct fill level when door is completely opened.

Rinse Aid Setting

Your rinse aid dispenser is adjustable. For most water conditions, the factory setting of 2 will give good results. If you have hard water and notice calcium buildup on your dishware, you may want to try a higher setting.



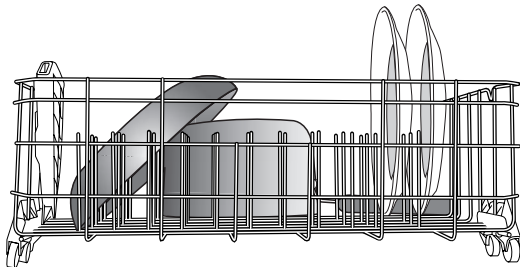
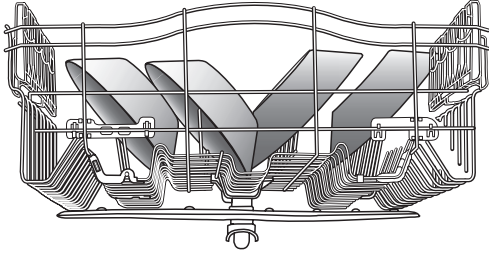
To adjust the setting

1. Turn the knob to the REFILL position and remove.
2. Turn the arrow inside the dispenser to the desired setting.
3. Replace the knob and turn to the LOCK position.

LOADING

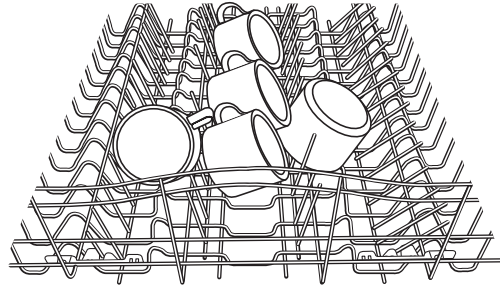
Loading For Best Performance

1. Angle dirtiest dish surfaces downward and allow space for water to flow up through each rack and between dishware.



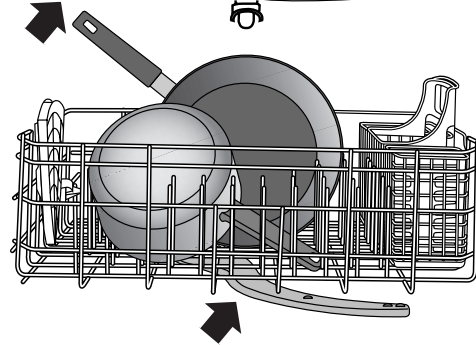
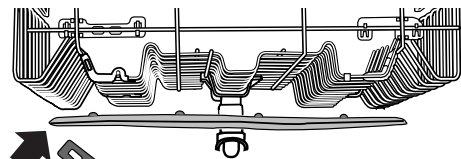
Separating allows water flow.

4. Angle concave surfaces such as the bottom of coffee cups to allow water to drain and improve drying performance.



Angled surfaces

5. Check that all spray arms spin freely before every cycle.



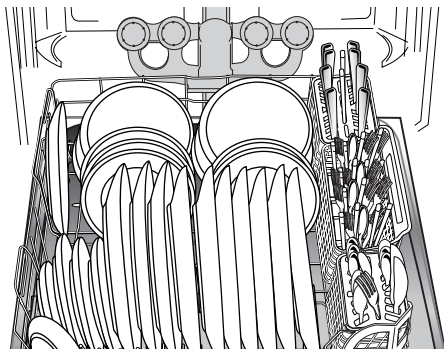
Spray arms spin freely.

2. For best silverware cleaning use the slots in the covers to keep items separated.



Separated

3. Use TURBOZONE™ option with your dirtiest items facing toward the lower back.



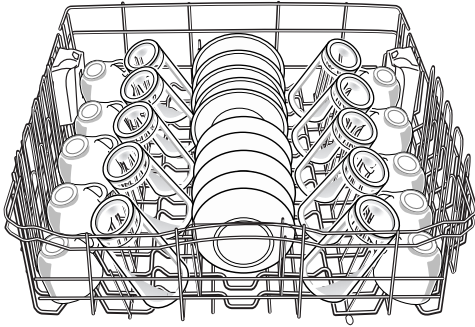
Soil facing TURBOZONE™ spray jets

Top Rack Loading

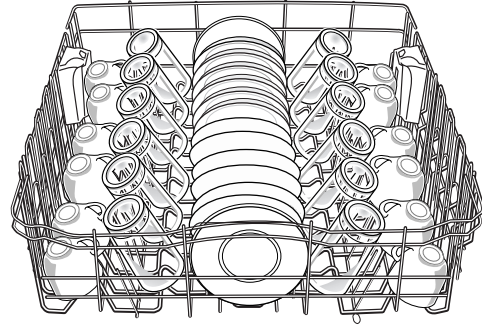
Loading Recommendations

Place cups and glasses in the rows between tines. Placing them over the tines can lead to breakage and water spots. To avoid damage to your delicate items, be sure china, crystal, stemware and other similar items do not touch during dishwasher operation.

Load lightweight and dishwasher-safe plastic items only in the top rack.



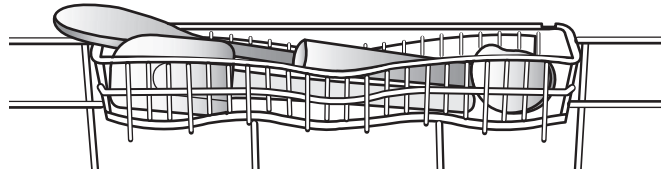
10 place load



12 place load

Utensil Basket

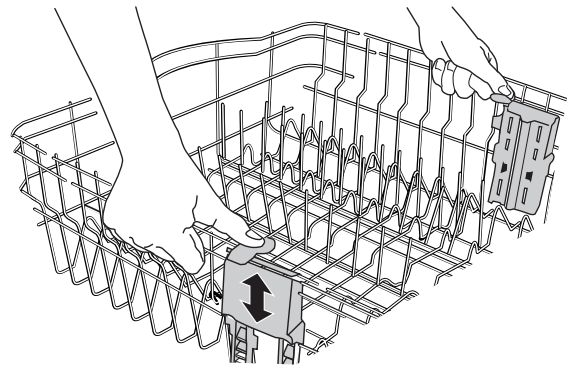
Use this extra capacity basket in the back of the top rack to hold spatulas, serving spoons, and similar items.



Deluxe Adjustable 2-position Rack

You can raise or lower the top rack to fit tall items in either the top or bottom rack. Adjusters are located on each side of the top rack. Raise the top rack to accommodate items up to 9" (22 cm) in the top rack and 13" (33 cm) in the bottom rack, or lower the top rack to accommodate items up to 11" (28 cm) in both the top and bottom racks.

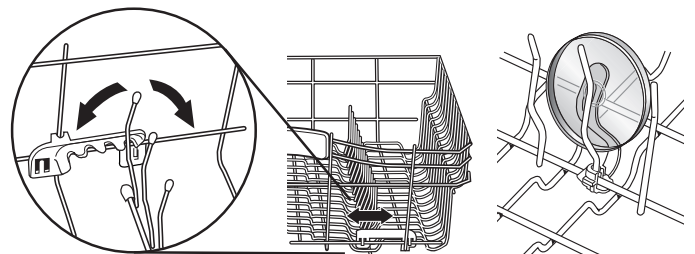
1. To raise, lift rack until both sides are at the same height and lock.
2. To lower, depress both tabs on rack adjusters, as shown, and lower.



Flexible Tines and No-Flip Clips

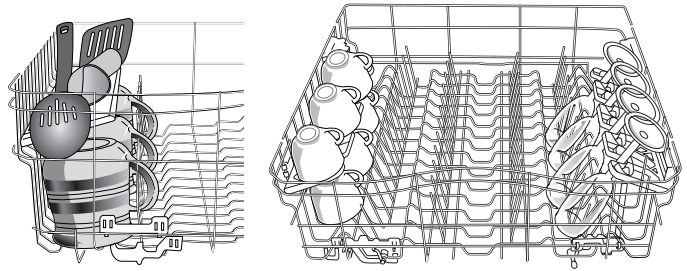
The row of tines on the left-hand and right-hand sides of the top rack can be adjusted to make room for a variety of dishes.

The no-flip clips hold in place lightweight items such as cups, lids, or bowls during washing. The clip can be moved to another tine by pulling up and off.



Cup Shelves

Fold down the extra shelf on either side of the top rack to hold additional cups, stemware or long items such as utensils and spatulas.



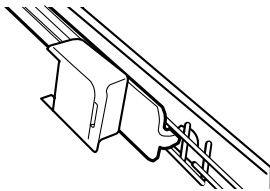
Removable Top Rack

The removable top rack allows you to wash larger items such as pots, roasters, and cookie sheets in the bottom rack.

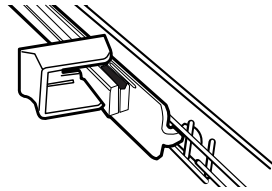
IMPORTANT: Remove dishes prior to removing the top rack from dishwasher.

To remove the rack

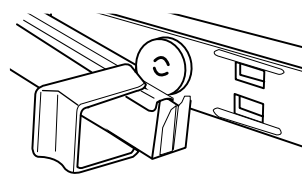
1. To gain access to the track stops, pull the upper rack forward about halfway out of the tub.
2. To open, flip the track stop toward the outside of the tub.
3. After opening both track stops, slide the rack out until it stops. Lift the front wheels up and out of the slot in each track. Continue to pull rack forward in track and slide the back wheels up and out of the track.



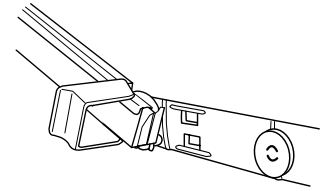
Track stop closed.



Track stop open.



Remove front rack wheel.



Remove back track wheel.

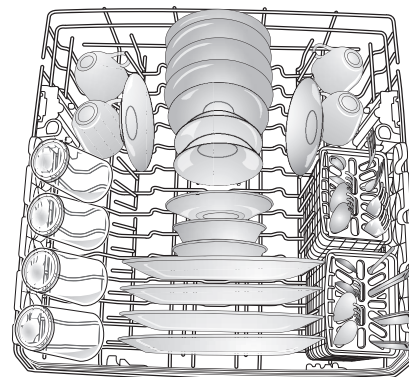
4. Close track stops and slide the tracks back into the dishwasher.

To replace the rack

1. Gently pull tracks forward in dishwasher until they stop. Open track stops.
2. Place the back wheels on each side of the rack into the track slot and roll them back into the tracks, but do not push the rack all the way into the tub.
3. Insert front rack wheels on each side of the rack into the track slots.
4. Slide rack into the dishwasher. The stops will automatically close when rack enters dishwasher.

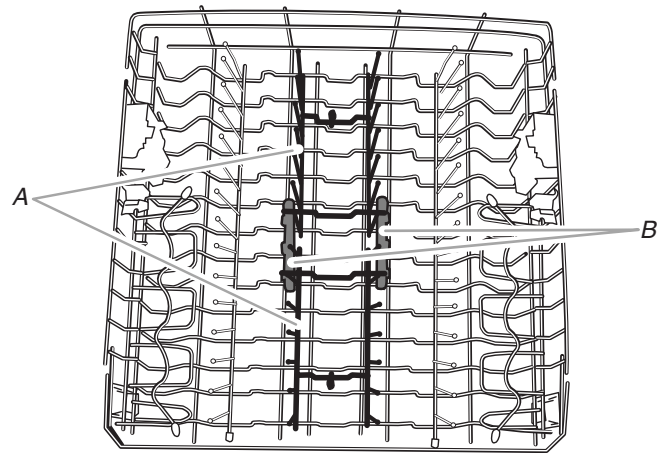
Loading for Top Rack Only option

Washes only dishes placed in the upper rack. For added convenience, use this option for small loads. The illustration shows a recommended 5 place setting. If an additional silverware basket is needed, use one of the side baskets from the lower rack.



Removable top rack inserts

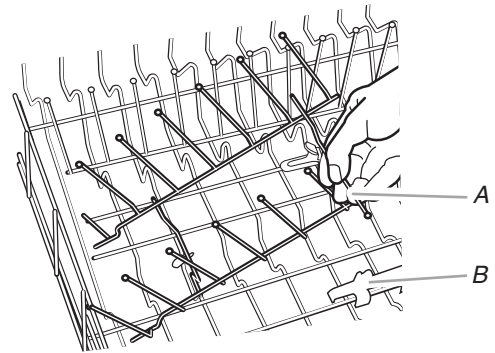
Your dishwasher is shipped with 2 removable top rack inserts. (See illustration.) The removable rack inserts allow you to adjust the rack for the type of load you are washing. This is useful when washing a variety of glassware and dishes.



A. Removable rack inserts
B. Insert holding clips

To remove inserts

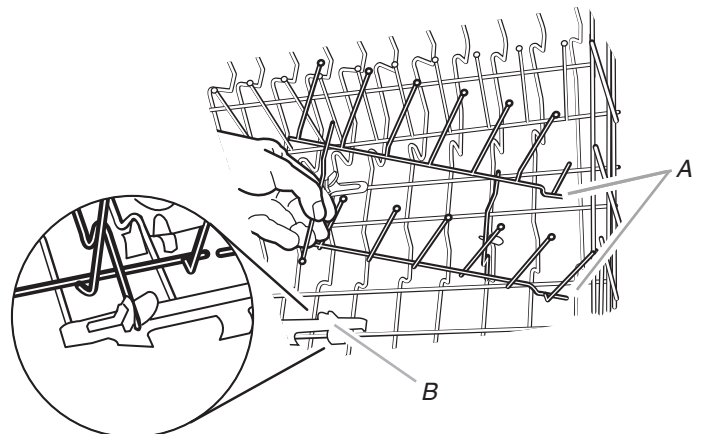
1. Lift up on the insert wire located toward the center of the rack to release the insert from the holding clips.
2. Lift insert out of rack.



A. Lift removable insert wire to remove from holding clips.
B. Holding clips

To install rack inserts

1. Place the insert end legs under the front or back rack wire as shown below.
2. Push down on the center insert wire until it slides into the holding clip on either side of the center in the bottom of the rack.



A. Insert legs
B. Insert holding clips

Bottom Rack Loading

Loading Recommendations

The bottom rack is best suited for plates, pans, casseroles, and utensils. (See recommended loading patterns shown.)

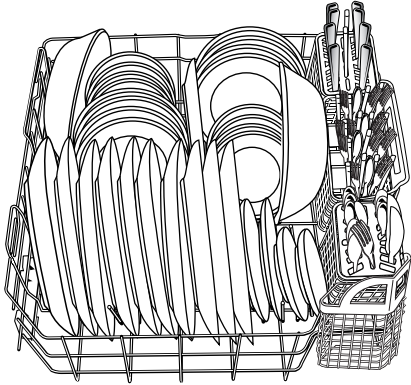
Load small items in the bottom rack only if they are secured in place.

Load plates, soup bowls, etc., between tines.

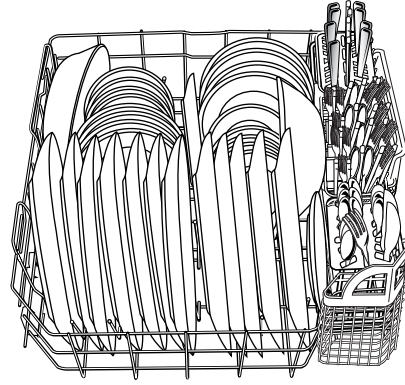
Load bowls securely between the rows of tines. Ensure that there is space between dishes so that the spray will reach all surfaces.

Load heavily soiled items facing the spray.

NOTE: Ensure that detergent dispenser is not blocked by tall items such as cookie sheets and cutting boards placed at the left-hand front of rack. See "Start Up/Quick Reference" section.



10 place load



12 place load

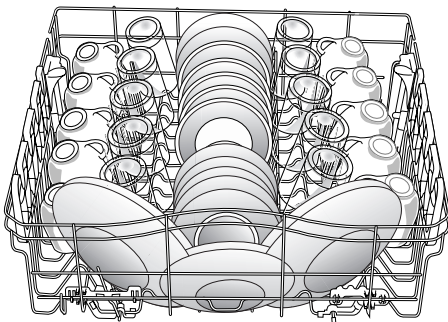
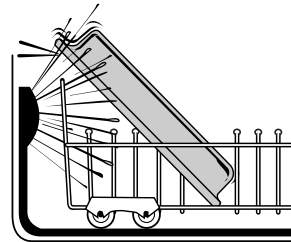
TURBOZONE™ Loading

IMPORTANT: For proper performance, only one row of items may face the TURBOZONE™ spray jets.

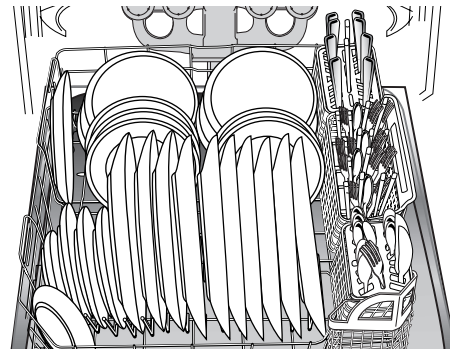
You must select the TURBOZONE™ wash option to utilize this wash feature.

Load pans, casserole dishes, etc. with the soiled surfaces facing the TURBOZONE™ spray jets. TURBOZONE™ wash area is located at the back of the lower dish rack.

Below are the recommended loading when using the TURBOZONE™ option.



Recommended TURBOZONE™ 10 place top rack load

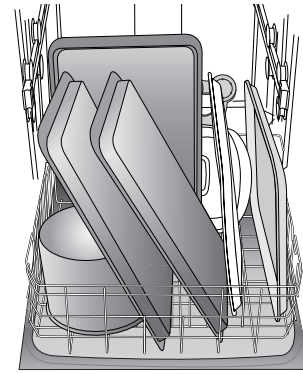
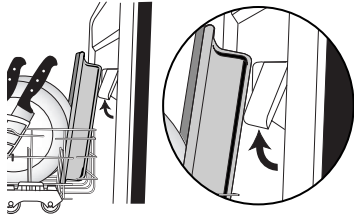


Recommended TURBOZONE™ 10 place bottom rack load

Loading Tall Items

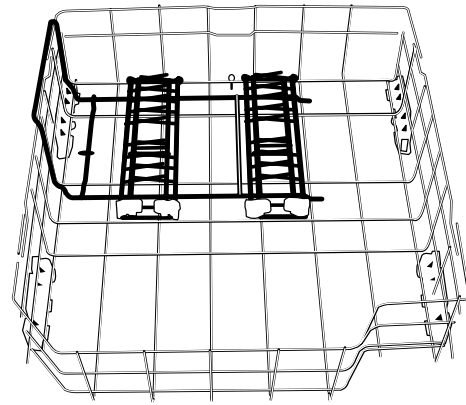
You can wash larger items such as pots, roasters, and cookie sheets in the bottom rack by removing the top rack. See “Top Rack Loading” section.

IMPORTANT: Do not block detergent dispenser.



Fold-Down Tines

You can fold down 4 rows of tines at the back of the bottom rack in order to accommodate larger dishware.

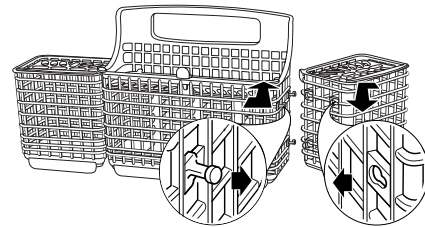


Splittable Silverware Basket

Your new silverware basket can be split into three segments.

Removing one section will increase your capacity in the TURBOZONE™ loading area.

You can remove the covered side baskets to place in the top rack for the Top Rack Only option. Use for small delicate items such as baby bottle caps, nipples and small baking utensils, etc.

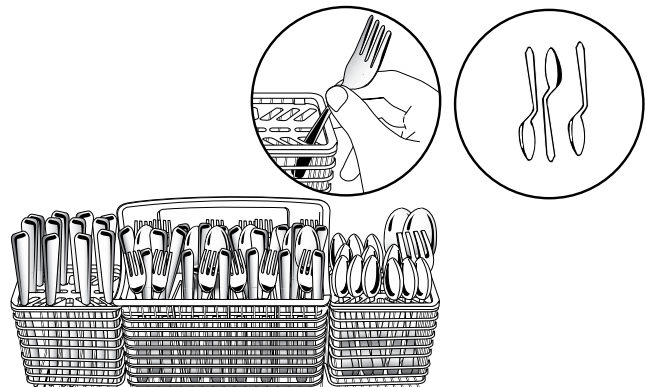


Loading Silverware

Use suggested loading patterns, as shown, to better clean your silverware.

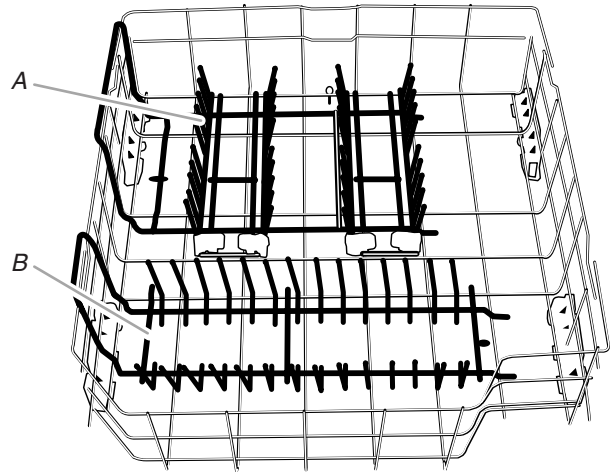
Use the slots in the covers to keep your silverware separated for optimum wash. (See illustration, right.)

NOTE: If your silverware does not fit into the designated slots, flip the covers up and mix silverware types to keep them separated. Load knives down, forks up, and alternate spoons as illustrated, for best cleaning results.



Removable bottom rack inserts

Your dishwasher is shipped with 2 removable bottom rack inserts. (See illustration.) The double and single removable rack inserts allow you to adjust the rack for the type of load you are washing. This is useful when washing a variety of dishes, pots and pans, or roasters.

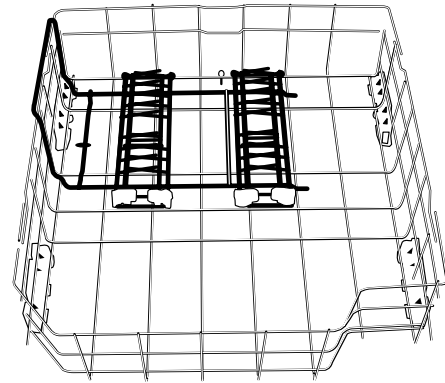


A. Double rack rear insert
B. Single rack front insert

Double rack rear insert

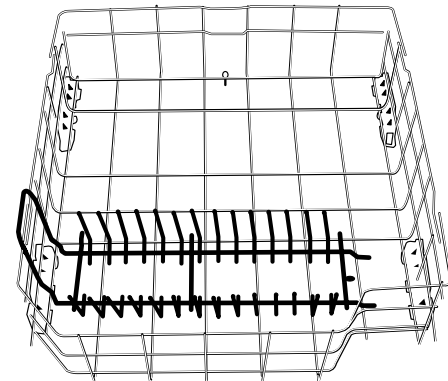
The double rack rear insert allows you to wash a number of large plates, platters, and trays.

The fold-down tines option on this insert gives you flexibility to adjust your loading options for smaller plates and bowls to larger platters.



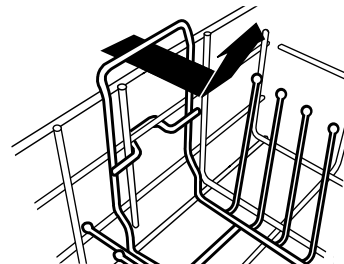
Single rack front insert

The single rack front insert allows you to wash a number of medium-sized plates and bowls.



To remove double and single rack inserts

1. Pull handle out of the right and lift up to release.
2. Lift insert out of rack.

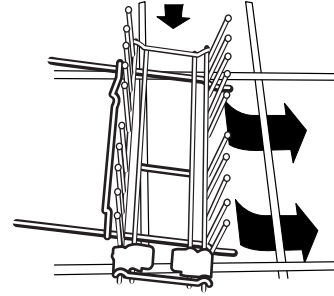


To install double rear insert

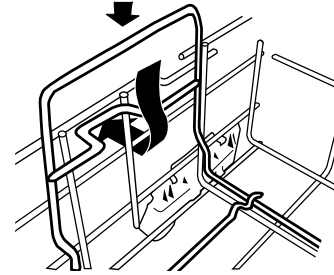
NOTE: It will be easier to install the inserts if you remove the silverware basket from the rack.

1. Place the double rear insert end legs under the 3rd wire from the right as shown below.

IMPORTANT: Make sure that the curved wires, on the bottom of the insert, fit over the wires in the bottom of the rack.



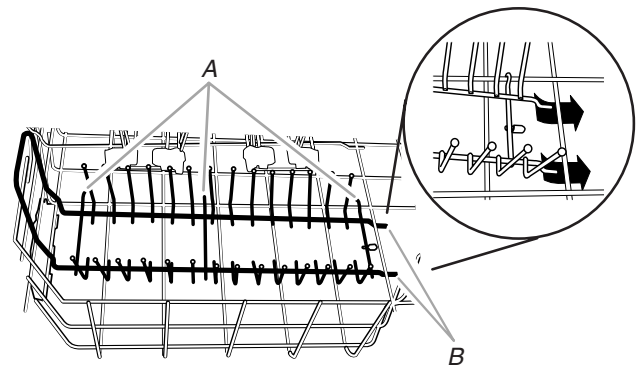
2. Push down on insert until handle fits against outer rack edge.
3. When center tab under handle locks in under the middle side rack wire, the insert is in place. (See illustration.)



To install single front insert

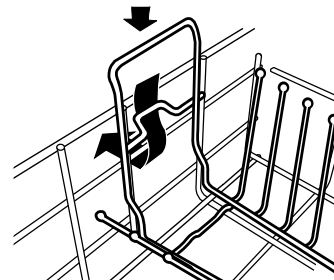
1. Place the single front insert end legs under the 2nd wire from the right as shown below.

IMPORTANT: Make sure the 3 hooks at the back of the insert are installed over the 2nd bottom rack wire from the front of the rack.



A. 3 insert hooks
B. Single front insert end legs

2. Push down on insert until handle fits against outer rack edge.
3. When center tab under handle locks in under the middle side rack wire, the insert is in place. (See illustration.)

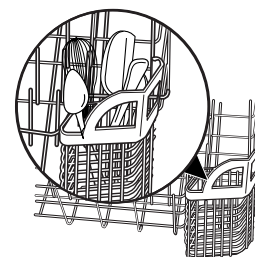


Utensil caddy

Use the utensil caddy to hold specialty cooking utensils (serving spoons, spatulas, and similar items), or overflow silverware items.

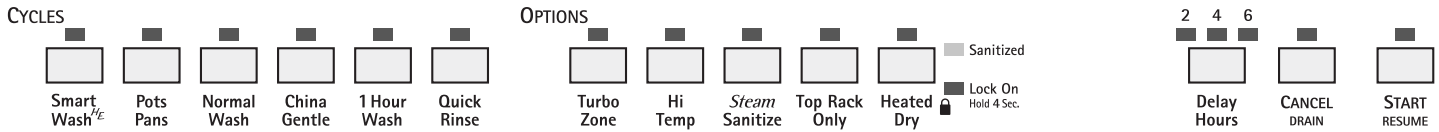
The caddy hangs on the bottom rack in the right-hand corner. Load the caddy while it is on the bottom rack or remove the basket for loading on a counter or table.

NOTE: Spin the spray arms. Be sure items in the caddy do not stop the rotation of the spray arms.



DISHWASHER USE

Cycles and Options Information



Cycles	Soil Level	Time* (mins.) w/o Options		Water Usage Gallons (Liters)
		Typical**	Max	
SmartWash^{® HE} cycle The most advanced and versatile cycle. This cycle senses the load size, soil amount, and toughness of soil. This cycle is optimized to achieve outstanding cleaning with minimal water and energy.	Light to Medium	110	163	4.2 (15.9)
	Tough/Baked-On	135	194	4.8 (18.2)
	Heavy	135	194	6.9 (26.1)
Pots/Pans Works best on your toughest items such as casseroles with baked-on food residue. Use with TURBOZONE™ option to get the best baked-on soil cleaning.	Light to Medium	140	202	4.8 (18.2)
	Heavy/Baked-On	150	203	6.9 (26.1)
Normal Wash Senses the soil level and makes adjustments in the water and energy used. The Energy Guide information is based on this cycle.	Light to Medium	110	161	4.2 (15.2)
	Heavy	130	193	6.9 (26.1)
China Gentle Provides a light wash and gentle dry for delicate items such as china and crystal.	Light to Medium	105	161	4.2 (15.2)
	Heavy	125	194	6.9 (26.1)
1 Hour Wash To save water and energy, High Efficiency dishwashers use advanced filtration which may result in longer cycle times (in some cases over 2 hours). When you need fast results, the 1 Hour Wash will clean your dishes using slightly more water and energy. For improved drying, select the Heated Dry option, adding ½ hour.	All soil levels	58	58	8.0 (30.3)
Quick Rinse A 15-minute rinse for reducing food odor and keeping food residue from drying. Do not use detergent.	All soil levels	15	16	2.1 (7.9)

*Adding options will add time to the cycle. See options information section.

**This is the approximate cycle time obtained with 120°F (49°C) hot water available at the dishwasher. Increase in time results from low temperature of the incoming water.

ENGLISH

Options	Can be selected with	What it does	Added time to cycle		Added Water† Gallons (Liters)
			Typical	Max	
TURBOZONE™ option Blasts into every corner to eliminate the need for soaking and scrubbing of dirty, baked-on dishes. For your toughest items, use the TURBOZONE™ option with the Pots Pans cycle. See loading information.	SmartWash®^{HE} Pots Pans Normal Wash	Directs all of the cleaning power of the dishwasher to the TURBOZONE™ area during certain times in the wash cycle.	25	40	0 - 2.1 (0 - 7.9)
Hi Temp Raises the main wash temperature to improve cleaning. When used with the Normal Wash cycle this will provide a little extra tough cleaning capability, but not as much as the Pots Pans cycle.	SmartWash®^{HE} Pots Pans Normal Wash	Raises the main wash temperature from 105°F (41°C) to 120°F (49°C).	22	37	0 - 2.1 (0 - 7.9)
Steam Sanitize This high temperature steam option sanitizes your dishes and glassware in accordance with National Sanitation Foundation (NSF)/ANSI Standard 184 for Residential Dishwashers. Certified residential dishwashers are not intended for licensed food establishments. The green sanitized light indicates that the <i>Steam Sanitize</i> option was successfully completed.	SmartWash®^{HE} Pots Pans Normal Wash	Increases the main wash temperature from 105°F (41°C) to 120°F (49°C) and the final rinse from 140°F (60°C) to 155°F (68°C) and provides steam.	37	57	0 - 2.1 (0 - 7.9)
Top Rack Only For added convenience, use for washing a small load of dishes in the top rack.	Available with any cycle	Quick wash for small load.	-7	-18	0
Heated Dry Turns the heat element on after the wash cycle is completed. Use rinse aid with or without the Heated Dry option for best drying results. Plastic items are less likely to deform when loaded in the top dish rack.	Available with any cycle except Quick Rinse	Turns the heat element on at the end of the wash cycle.	26	32	0

†The maximum additional water used for any combination of options is 2.1 gal. (7.9 L).

Delay Hours

Use this option to run your dishwasher during off-peak hours. Local utility providers recommend using energy during off-peak hours when possible.

To delay the start

1. Select a wash cycle and options.
2. Press the delay button to choose the number of hours to be delayed.
3. Press START/RESUME and firmly close the door within 3 seconds.

NOTE: Anytime the door is opened (such as, to add a dish), the START/RESUME button must be pressed again, within 3 seconds of closing the door, to resume the delay countdown.

Control Lock Option

Use the Control Lock option to avoid unintended use of the dishwasher between cycles. When LOCK ON is lit, all buttons are disabled. The dishwasher door can still be opened/closed while the controls are locked.

To turn on the Lock

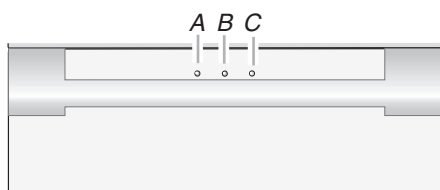
Press and hold HEATED DRY for 4 seconds. LOCK ON will light up. If you press any pad while your dishwasher is locked, the light flashes 4 times.

NOTE: The dishwasher cannot run if the control is locked.

To turn off the Lock

Press and hold HEATED DRY for 4 seconds. The light turns off.

Status Indicator Lights



- A. Wash cycle
- B. Dry cycle
- C. Clean light

Front Panel Lights - The left light indicates the dishwasher is in the wash cycle. The middle light indicates the dishwasher is in the dry cycle. The right-hand, green Clean light indicates the cycle is complete and ready to unload. If the Clean light is blinking, see “Troubleshooting” section.

Canceling A Cycle

1. Open the door slightly to stop the cycle. Wait for the spraying action to stop before completely opening the door.
2. Press CANCEL/DRAIN button once. The Cancel/Drain light will light up.
3. Close the door within 3 seconds. The dishwasher starts a drain cycle (if water remains in bottom of dishwasher). Let the dishwasher drain completely. The Cancel/Drain light turns off after 2 minutes.

Changing A Cycle After Dishwasher Is Started

You can interrupt a cycle and restart your dishwasher from the beginning using the following procedure.

1. Open the door slightly to stop the cycle. Wait for the spraying action to stop, then open the door completely.
2. Check that detergent dispenser cover is still closed. If cover is open, you will need to refill the detergent dispenser before restarting your new cycle.
3. Press CANCEL/DRAIN twice to reset the control.
4. Select new cycles and options.
5. Press START/RESUME and firmly close the door within 3 seconds.

NOTE: If the door is not closed within 3 seconds of pressing Start/Resume, press START/RESUME again.

Adding A Dish After Dishwasher Is Started

1. Open the door slightly to stop the cycle. Wait for the spraying action to stop, then open the door completely.
2. Check whether the detergent dispenser cover is still closed. If it is open, the wash cycle has already started and adding a dish is not recommended.
3. If detergent has not yet been used (detergent dispenser cover is closed), you may add a dish.
4. Press START/RESUME and firmly close the door within 3 seconds.

WASHING SPECIAL ITEMS

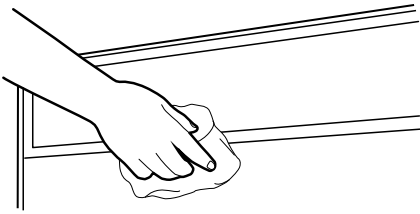
If you have doubts about washing a particular item, check with the manufacturer to see if it is dishwasher safe.

Material	Dishwasher Safe?	Comments
Aluminum	Yes	High water temperature and detergents can affect finish of anodized aluminum.
Disposable Aluminum	No	Do not wash disposable aluminum pans in the dishwasher. These might shift during washing and transfer black marks to dishes and other items.
Bottles and Cans	No	Wash bottles and cans by hand. Labels attached with glue can loosen and clog the wash system and reduce washing performance.
Cast Iron	No	Seasoning will be removed and then will rust.
China/Stoneware	Yes	Always check manufacturer's recommendations before washing. Antique, hand-painted, or over-the-glaze patterns may fade. Gold leaf can discolor or fade.
Crystal	Yes	Always check manufacturer's recommendations before washing. Some types of leaded crystal can etch with repeated washing.
Gold	No	Gold-colored flatware will discolor.
Glass	Yes	Milk glass material yellows with repeated dishwasher washing.
Hollow-Handle Knives	No	Handles of some knives are attached to the blade with adhesives which can loosen if washed in the dishwasher.
Pewter, Brass, Bronze, and Copper	No	High water temperatures and detergent can discolor or pit the finish.
Disposable Plastics	No	Cannot withstand high water temperatures and detergents.
Plastics	Yes	Always check manufacturer's recommendations before washing. Plastic items may vary in their ability to withstand high temperatures and detergents. It is recommended that lightweight items such as lids and butter dishes be placed in the upper rack only. Sturdy items such as coolers and high-chair trays may be placed in the lower rack. When washing plastic items in the lower rack, it is recommended not to use the Heated Dry option.
Stainless Steel	Yes	Run a rinse cycle if not washing immediately. Prolonged contact with food containing salt, vinegar, milk products, or fruit juice can damage finish.
Sterling Silver or Silver Plate	Yes	Run a rinse cycle if not washing immediately. Prolonged contact with food containing salt, acid, or sulfide (eggs, mayonnaise, and seafood) can damage finish.
Tin	No	Not recommended.
Wooden Ware	No	Wash by hand. Always check manufacturer's instructions before washing. Untreated wood can warp, crack, or lose its finish.

DISHWASHER CARE

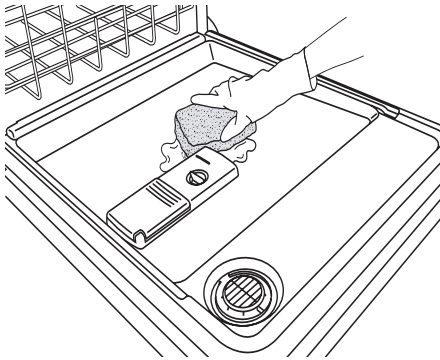
Cleaning

Cleaning the exterior



In most cases, regular use of a soft, damp cloth or sponge and a mild detergent is all that is necessary to keep the outside of your dishwasher looking nice and clean. If your dishwasher has a stainless steel exterior, a stainless steel cleaner is recommended.

Cleaning the interior



Hard water minerals can cause a white film to build up on the inside surfaces, especially just beneath the door area.

Do not clean the dishwasher interior until it has cooled. You may want to wear rubber gloves. Do not use any type of cleanser other than dishwasher detergent because it may cause foaming or sudsing.

To clean interior

Make a paste with powdered dishwasher detergent on a damp sponge and clean.

OR

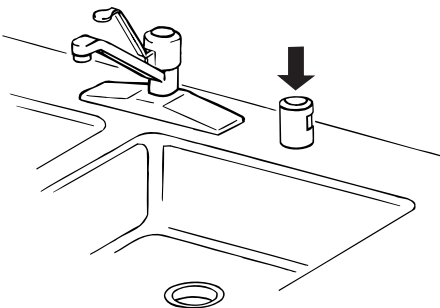
Use liquid automatic dishwasher detergent and clean with a damp sponge.

OR

See the vinegar rinse procedure in “Spotting and filming on dishes” in “Troubleshooting” section.

NOTE: Run a normal cycle with dishwasher detergent after cleaning the interior.

Drain Air Gap



Some state or local plumbing codes require the addition of a drain air gap between a built-in dishwasher and the home drain system. Check the drain air gap when your dishwasher is not draining well.

The drain air gap is usually located on top of the sink or countertop near the dishwasher. To order a drain air gap, please call **1-800-4-MY-HOME®**. Ask for Part Number 300096.

NOTE: The drain air gap is an external plumbing device that is not part of your dishwasher. The warranty provided with your dishwasher does not cover service costs directly associated with the cleaning or repair of the external drain air gap.

To clean the drain air gap

Clean the drain air gap periodically to ensure proper drainage of your dishwasher. With most types, you lift off the chrome cover. Unscrew the plastic cap. Then check for any soil buildup. Clean if necessary.

Storing

Storing for the summer

If your dishwasher is not in use during the summer months, turn off the water supply and power supply to the dishwasher.

Storing for the winter

Avoid possible water damage to your home and dishwasher due to freezing water lines. If your dishwasher is left in a seasonal dwelling or could be exposed to near freezing temperatures, have your dishwasher winterized by authorized service personnel.

TROUBLESHOOTING

CHECK THESE POINTS TO HELP SAVE YOU TIME AND MONEY.

PROBLEM	SOLUTION
DISHWASHER DOES NOT RUN	<p>NOTE: It is normal for the dishwasher to repeatedly pause several times during a cycle. If the Start/Resume light is blinking, push START/RESUME and close the door within 3 seconds.</p> <p>Be sure the door is closed and latched.</p> <p>Be sure you have selected a cycle. (See “Cycles and Options Information.”)</p> <p>Be sure there is power to the dishwasher. A circuit breaker or fuse may have tripped.</p> <p>If lights other than Start/Resume blink and the unit will not run, you will need to call for service.</p>
DETERGENT REMAINS IN THE DISPENSER OR TABLET IS ON BOTTOM OF TUB	<p>Check for dishware such as cookie sheets, cutting boards, or large containers, etc. that may be blocking the detergent dispenser from opening properly.</p> <p>Be sure your detergent is fresh and lump free.</p> <p>Be sure the cycle has completed (green light is on). If it has not completed, you will need to resume the cycle by pressing START/RESUME and closing the door within 3 seconds.</p>
CYCLE RUNS TOO LONG	<p>NOTES:</p> <ul style="list-style-type: none"> ■ To use less water and reduce energy consumption you will encounter cycles that typically run for up to 3 hours. ■ A water heater setting of 120°F (49°C) is best, the dishwasher will delay longer while heating cooler water. ■ Some options will add time to the cycle. (See “Cycles and Options Information” section.) The Heated Dry option adds ½ hour. <p>Try the 1 Hour Wash cycle.</p> <p>Run the hot water at a faucet close to the dishwasher before starting the cycle.</p>
DISHWASHER NOT DRYING	<p>NOTE: Plastic and items with nonstick surfaces are difficult to dry because they have a porous surface which tends to collect water droplets. Towel drying may be necessary.</p> <p>Use of rinse aid along with the Heated Dry option is needed for proper drying.</p> <p>Proper loading of items can affect drying. (See specific loading instructions within this guide.)</p> <p>Glasses and cups with concave bottoms hold water. This water may spill onto other items when unloading.</p> <ul style="list-style-type: none"> ■ Unload the bottom rack first. ■ Locate these items on the more slanted side of the rack for improved results.
WILL NOT FILL	<p>Be sure the water is turned on to the dishwasher.</p> <p>Check that the float is free from obstructions. (See “Parts and Features.”)</p> <p>Check for suds in the dishwasher. If foam or suds are detected, the dishwasher may not operate properly or may not fill with water. (See “BLINKING LIGHTS” in “Troubleshooting.”)</p>
WATER REMAINS IN THE TUB/WILL NOT DRAIN	<p>Be sure the cycle has completed (the green light is on). If it has not, you will need to resume the cycle by pressing START/RESUME and closing the door within 3 seconds.</p> <p>If dishwasher is connected to a food waste disposer, be sure the knockout plug has been removed from the disposer inlet.</p> <p>Check for kinks in the drain hose.</p> <p>Check for food obstructions in the drain or disposer.</p> <p>Check your house fuse or circuit breaker.</p>

PROBLEM	SOLUTION
HARD WATER (WHITE RESIDUE ON DISHWASHER INTERIOR OR GLASSWARE)	<p>NOTE: Extremely hard water mineral deposits can cause damage to your dishwasher and make it difficult to achieve good cleaning. You may bring water samples to Sears to check your water hardness level. A water softener is strongly recommended if your hardness is 15 grains or more. If a water softener is not installed, the following steps may help:</p> <p>Use a commercial cleaner designed for dishwashers once per month.</p> <p>Clean the ULTRA WASH^{®HE} filters at least once per month.</p> <p>Always use a rinse aid.</p> <p>Always use a high-quality, fresh detergent.</p> <p>Use a detergent booster/water softener additive designed for dishwashers.</p>
ODORS	<p>NOTE: If the dishwasher is not used daily, you can run a Quick Rinse cycle with the partial load daily until a full load is ready to run, or use the Top Rack Only option (on some models) for partial loads.</p> <p>Run a vinegar rinse through the dishwasher by putting 2 cups (500 mL) of white vinegar in an upright glass measuring cup in the lower rack. Run a normal cycle with the Heated Dry option turned off. Do not use detergent.</p> <p>The dishwasher may not be draining properly, see “WATER REMAINS IN THE TUB/ WILL NOT DRAIN” in “Troubleshooting.”</p>
NOISY	<p>NOTES:</p> <ul style="list-style-type: none"> ■ Surging sounds can occur periodically throughout the cycle while the dishwasher is draining. ■ Normal water valve hissing may be heard periodically. ■ A normal snap sound may be heard when the detergent dispenser opens during the cycle and when the door is opened at the end of the cycle. ■ Improper installation will affect noise levels. <p>Be sure the filters are properly installed.</p> <p>A thumping sound may be heard if items extend beyond the racks and interfere with the wash arms. Readjust the dishware and resume the cycle.</p>
FOOD SOILS REMAIN ON DISHES	<p>Be sure the dishwasher is loaded correctly. Improper loading can greatly decrease the washing performance (see “Loading for Best Performance.”)</p> <p>Check filter to ensure it is properly installed. Clean it if needed. (See “Cleaning Instructions” in “ULTRA WASH^{®HE} Filtration System” for details.)</p> <p>Select the proper cycle and option for the type of soils. The Pots Pans cycle with the TURBOZONE™ option can be used for tougher loads.</p> <p>Be sure the incoming water temperature is at least 120°F (49°C).</p> <p>Use the proper amount of fresh detergent. More detergent is needed for heavier-soiled loads and hard water conditions.</p> <p>Scrape food from dishes prior to loading (do not prerinse).</p>
DID NOT SANITIZE	<p>If the sanitized light is blinking, the load is <i>NOT</i> sanitized. The cycle was interrupted in the final rinse, or your water heater is set too low. Set your water heater to 120°F (49°C).</p>
DAMAGE TO DISHWARE	<p>Improper loading can cause dishes to become chipped or damaged. (See specific loading instructions within this guide.)</p>

PROBLEM	SOLUTION
BLINKING LIGHTS	<p>If the Start/Resume light is blinking, push START/RESUME and close the door within 3 seconds.</p> <p>If the Clean light or any other lights are blinking and the dishwasher will not run, check the following:</p> <ul style="list-style-type: none"> ■ Is the overflow protection float able to move up and down freely? Press down to release. ■ Be sure the water supply is turned on to the dishwasher. (This is very important following the new installation of your dishwasher.) ■ Check for suds in the dishwasher. If foam or suds are detected by the dishwasher sensing system, the dishwasher may not operate properly or may not fill with water. Suds can come from: <ul style="list-style-type: none"> ■ Using the incorrect type of detergent, such as dish detergent for hand washing dishes, laundry detergent, or hand soap. ■ Not replacing the rinse aid dispenser cap after filling (or refilling) the rinse aid. ■ Using an excessive amount of dishwasher detergent. <p>Call for service.</p>
CLOUDY OR SPOTTED DISHWARE (AND HARD WATER SOLUTION)	<p>NOTES:</p> <ul style="list-style-type: none"> ■ Liquid rinse aid is necessary for drying and to reduce spotting. ■ Use the correct amount of detergent. <p>Confirm that the cloudiness is removable by soaking the item in white vinegar for 5 minutes. If the cloudiness disappears, it is due to hard water. Adjust the amount of detergent and rinse aid. (See “HARD WATER (WHITE RESIDUE ON DISHWASHER INTERIOR OR GLASSWARE)” in “Troubleshooting.”) If it does not come clear, it is due to etching (see below).</p> <p>Be sure the incoming water temperature is set at 120°F (49°C).</p> <p>Try using the Hi Temp and Sani Rinse options.</p> <p>To remove spotting, run a vinegar rinse through the dishwasher.</p> <ul style="list-style-type: none"> ■ Wash and rinse the affected dishware and load into dishwasher. Remove all silverware and metal items. Put 2 cups (500 mL) of white vinegar in a glass measuring cup in the lower rack. Run a normal cycle with the Heated Dry option turned off. No detergent is needed.
ETCHING (PERMANENT CLOUDINESS)	<p>This is an erosion of the surface of the glassware and can be caused by a combination of: water that is too hot, from using too much detergent with soft water or by pre-washing. Detergent needs food soil to act upon. If etching has occurred, the glassware is permanently damaged. To avoid further etching, adjust the detergent amount to match the water hardness, stop pre-washing, and use water heating options only when incoming water temperature is below 120°F (49°C).</p>
LEAKING WATER	<p>Be sure dishwasher has been installed properly and is level.</p> <p>Suds can cause the dishwasher to overflow. Measure the detergent accurately and use only detergents designed for use in a dishwasher. Less detergent is needed in soft water. Try another brand of detergent if sudsing continues.</p> <p>To avoid rinse aid leaking from the dispenser, be sure the lid is securely attached and avoid overfilling.</p>
TUB IS DISCOLORED	<p>NOTES:</p> <ul style="list-style-type: none"> ■ High iron content in the water can discolor the tub. ■ Tomato-based foods can discolor the tub or dishware. <p>A citrus-based cleaner can be used to clean.</p>

ÍNDICE

CONTRATOS DE PROTECCIÓN	27	USO DE LA LAVAVAJILLAS	47
GARANTÍA	28	Información sobre los ciclos y opciones	47
SEGURIDAD DE LA LAVAVAJILLAS	30	Cómo cancelar un ciclo	50
PIEZAS Y CARACTERÍSTICAS	32	Cómo cambiar un ciclo después de iniciar la lavavajillas	50
PUESTA EN MARCHA / REFERENCIA RÁPIDA	33	Cómo agregar un artículo después de iniciar la lavavajillas	50
SISTEMA DE FILTRACIÓN ULTRA WASH® HE	35	CÓMO LAVAR ARTÍCULOS ESPECIALES	51
CONSEJOS PARA LA EFICIENCIA DE LA LAVAVAJILLAS	37	CUIDADO DE LA LAVAVAJILLAS	52
DETERGENTE Y AGENTE DE ENJUAGUE	37	Limpieza	52
Detergente	37	Purga de aire del desagüe	52
Agente de enjuague	38	Cómo guardar	53
CÓMO CARGAR	39	SOLUCIÓN DE PROBLEMAS	53
Cómo cargar para el mejor funcionamiento	39	NÚMEROS DE SERVICIO	CONTRAPORTADA
Cómo cargar la canasta superior	40		
Cómo cargar la canasta inferior	43		

CONTRATOS DE PROTECCIÓN

Contratos maestros de protección

¡Felicitaciones por su inteligente adquisición! Su nuevo producto Kenmore® está diseñado y fabricado para proporcionarle años de funcionamiento confiable. Pero al igual que todos los productos, puede necesitar mantenimiento preventivo o reparación de vez en cuando. Es allí donde el Contrato maestro de protección puede ahorrarle dinero e inconvenientes.

El Contrato maestro de protección también ayuda a prolongar la vida de su nuevo producto. He aquí lo que se incluye en el Contrato*:

- ✓ **Piezas y mano de obra** necesarias para ayudar a mantener los productos funcionando correctamente **bajo uso normal**, no sólo en caso de defectos. Nuestra cobertura va **mucho más allá de la garantía del producto**. No existen deducibles ni fallas de funcionamiento que estén excluidas de la cobertura — **protección verdadera**.
- ✓ **Servicio experto** a cargo de un personal de más de 10.000 **técnicos de servicio autorizados por Sears**, lo que significa que su producto será reparado por alguien en quien usted puede confiar.
- ✓ **Llamadas de servicio ilimitado y servicio en todo el país**, con la frecuencia que usted desee, cuando usted desee.
- ✓ **Garantía “sin disgustos”** – reemplazo de su producto protegido si ocurren cuatro fallas o más del producto en el transcurso de doce meses.
- ✓ **Reemplazo del producto** si su producto protegido no puede ser reparado.
- ✓ **Revisión anual de mantenimiento preventivo** a solicitud suya – sin costo adicional.
- ✓ **Ayuda rápida por teléfono** – lo que nosotros llamamos **Solución rápida** – apoyo por teléfono a cargo de un representante de Sears para todos los productos. Piense en nosotros como si fuéramos un “manual parlante para el propietario”.
- ✓ **Protección de sobrevoltaje** contra daños eléctricos debido a fluctuaciones de electricidad.

- ✓ **Protección por pérdida de comida, por un valor anual de \$250**, por cualquier pérdida de comida que sea como resultado de fallas mecánicas de cualquier refrigerador o congelador cubierto bajo la garantía.
- ✓ **Reembolso de la renta** si la reparación de su producto protegido tarda más de lo prometido.
- ✓ **10% de descuento** sobre el precio común por el servicio de reparación que no esté bajo protección, así como también las piezas relacionadas con el mismo que se hayan instalado.

Una vez adquirido el Contrato, tan sólo tiene que llamar para fijar la visita de servicio técnico. Usted puede llamar a cualquier hora, de día o de noche, o fijar una visita técnica en Internet.

El Contrato maestro de protección es una compra sin riesgo. Si por algún motivo usted lo cancela durante el período de la garantía del producto, le proveeremos un reembolso total. O un reembolso proporcional en cualquier momento posterior a la expiración del período de la garantía. ¡Adquiera hoy su Contrato maestro de protección!

Se aplican algunas limitaciones y exclusiones. Para obtener precios e información adicional en EE.UU., llame al 1-800-827-6655.

***La cobertura en Canadá varía en algunos artículos. Para obtener los detalles completos, llame a Sears Canada al 1-800-361-6665.**

Servicio de Instalación de Sears

Para la instalación profesional de Sears de aparatos electrodomésticos, abridores de puertas de garaje, calentadores de agua y otros artículos principales del hogar, en los EE.UU. o en Canadá llame al **1-800-4-MY-HOME®**.

GARANTÍA DE LOS ELECTRODOMÉSTICOS KENMORE PRO™

GARANTÍA LIMITADA DE UN AÑO

Cuando este electrodoméstico haya sido instalado, operado y mantenido según las instrucciones provistas con el producto, si este electrodoméstico falla por defectos de material o de mano de obra dentro de un año a partir de la fecha de compra, llame al 1-800-4-MY-HOME® para gestionar la reparación libre de cargo.

GARANTÍA LIMITADA POR DOS AÑOS SOBRE EL CONTROL ELECTRÓNICO Y LA PLACA DE ALIMENTACIÓN DE ENERGÍA

Durante dos años a partir de la fecha de compra, siempre y cuando se instale la lavavajillas y se le dé un uso y mantenimiento de conformidad con todas las instrucciones provistas con el producto, Sears reemplazará cualquier pieza del módulo electrónico y de la placa de alimentación de energía si tuvieren defectos de materiales o de mano de obra. Después del primer año, el cliente asume la responsabilidad por cualquier costo de mano de obra relativa al reemplazo de estas refacciones.

GARANTÍA LIMITADA DE DOS AÑOS PARA EL SISTEMA DE LAVADO ULTRA WASH

Durante dos años a partir de la fecha de compra, siempre y cuando la lavavajillas haya sido instalada, operada y mantenida de conformidad con todas las instrucciones provistas con el producto, Sears reemplazará cualquier pieza del sistema de lavado Ultra Wash (motor, bomba, brazos rociadores, torre rociadora, empaquetaduras del motor y junta de la bomba) si falla debido a defectos de materiales o de mano de obra. Después del primer año, el cliente asume la responsabilidad por cualquier costo de mano de obra relativa al reemplazo de estas refacciones.

GARANTÍA LIMITADA DE CINCO AÑOS PARA LAS CANASTAS SUPERIOR E INFERIOR

Durante cinco años a partir de la fecha de compra, siempre y cuando se instale la lavavajillas y se le dé un uso y mantenimiento de conformidad con todas las instrucciones provistas con el producto, Sears reemplazará piezas de la canasta para platos superior o inferior, si la canasta se oxida debido a defectos de materiales o de mano de obra. Después del primer año, el cliente asume la responsabilidad por cualquier costo de mano de obra relativa al reemplazo de la canasta para platos.

GARANTÍA LIMITADA, DURANTE LA VIDA ÚTIL DE LA LAVAVAJILLAS, EN LOS MODELOS CON TINA DE ACERO INOXIDABLE KENMORE PRO, CONTRA FUGAS EN LA TINA Y EL PANEL INTERIOR DE LA PUERTA

Durante la vida útil de la lavavajillas, de haber fugas en la tina de acero inoxidable o el panel interior de la puerta causadas por corrosión, Sears reemplazará gratuitamente la tina o el panel interior de la puerta.

Si este electrodoméstico es empleado para algún otro uso que no sea el doméstico familiar, esta garantía sólo tiene vigencia por 90 días a partir de la fecha de compra.

ESTA GARANTÍA CUBRE SOLAMENTE LOS DEFECTOS DE MATERIAL Y MANO DE OBRA. SEARS NO PAGARÁ POR LO SIGUIENTE:

1. Los artículos no reutilizables que pueden gastarse por el uso normal, incluyendo, pero sin limitación, filtros, correas, focos y bolsas.
2. Un técnico de servicio para enseñarle al usuario cómo instalar, operar o mantener el producto adecuadamente.
3. Un técnico de servicio para limpiar o mantener este producto.
4. Daños a este producto o fallas del mismo en caso de no ser instalado, operado o mantenido conforme a todas las instrucciones provistas con el producto.
5. Daños a este producto o fallas del mismo como resultado de accidente, abuso, uso indebido o un uso diferente de aquel para el cual fue creado.
6. Daños a este producto o fallas del mismo causados por el uso de detergentes, limpiadores, productos químicos o utensilios diferentes de los recomendados en todas las instrucciones provistas con el producto.
7. Daños a piezas o sistemas o fallas de los mismos como resultado de modificaciones no autorizadas que se hayan efectuado en este producto.

EXCLUSIÓN DE GARANTÍAS IMPLÍCITAS; LIMITACIÓN DE RECURSOS

El único y exclusivo recurso del cliente según los términos de esta garantía limitada será el de reparar el producto según se estipula en la presente. Las garantías implícitas, incluyendo las garantías de comerciabilidad o de capacidad para un propósito particular, serán limitadas a un año o al período más corto permitido por ley. Sears no se hará responsable por daños incidentales o consecuentes. Algunos estados y provincias no permiten la exclusión o limitación de daños incidentales o consecuentes, o limitaciones acerca de cuánto debe durar una garantía implícita de comerciabilidad o capacidad, de modo que las limitaciones o exclusiones arriba mencionadas pueden no aplicarse en su caso.

Esta garantía se aplica sólo mientras este electrodoméstico se usa en los Estados Unidos y Canadá.

Esta garantía le otorga derechos legales específicos, y es posible que usted tenga también otros derechos, los cuales varían de un estado a otro.

Sears, Roebuck and Co.
Dept. 817WA, Hoffman Estates, IL 60179

Sears Canada Inc.
Toronto, Ontario, Canada M5B 2B8

REGISTRO DEL PRODUCTO

En el espacio a continuación, anote el número completo de modelo y serie así como la fecha de compra. Usted puede encontrar esta información en la etiqueta con el número de modelo y de serie ubicada en el producto.

Tenga esta información disponible para facilitarle la obtención de asistencia o servicio con prontitud siempre que llame a Sears con respecto a su electrodoméstico.

Número de modelo _ _ _ . _____

Número de serie _____

Fecha de compra _____

Guarde estas instrucciones y su comprobante de compra para referencia futura.

SEGURIDAD DE LA LAVAVAJILLAS

Su seguridad y la seguridad de los demás es muy importante.

Hemos incluido muchos mensajes importantes de seguridad en este manual y en su electrodoméstico. Lea y obedezca siempre todos los mensajes de seguridad.



Este es el símbolo de advertencia de seguridad.

Este símbolo le llama la atención sobre peligros potenciales que pueden ocasionar la muerte o una lesión a usted y a los demás.

Todos los mensajes de seguridad irán a continuación del símbolo de advertencia de seguridad y de la palabra "PELIGRO" o "ADVERTENCIA". Estas palabras significan:

⚠ PELIGRO

Si no sigue las instrucciones de inmediato, usted puede morir o sufrir una lesión grave.

⚠ ADVERTENCIA

Si no sigue las instrucciones, usted puede morir o sufrir una lesión grave.

Todos los mensajes de seguridad le dirán el peligro potencial, le dirán cómo reducir las posibilidades de sufrir una lesión y lo que puede suceder si no se siguen las instrucciones.

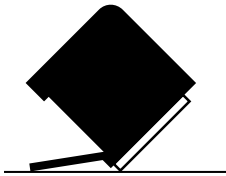
INSTRUCCIONES IMPORTANTES DE SEGURIDAD

ADVERTENCIA: Cuando use la lavavajillas siga precauciones básicas, incluyendo las siguientes:

- Lea todas las instrucciones antes de usar la lavavajillas.
- Use la lavavajillas únicamente para las funciones que fue diseñada.
- Use únicamente detergentes o agentes de enjuague recomendados para ser usados en las lavavajillas y manténgalos fuera del alcance de los niños.
- Al introducir los artículos para lavar:
 - 1) Coloque los artículos puntiagudos de manera que no dañen el sello de la puerta
 - 2) Introduzca los cuchillos filosos con los mangos hacia arriba para reducir el riesgo de cortaduras.
- No lave artículos de plástico que no lleven la indicación "lavables en la lavavajillas" u otra similar. Lea las recomendaciones del fabricante para los artículos de plástico que no lleven tal indicación.
- No toque el elemento de calefacción durante o inmediatamente después de usar la lavavajillas.
- No haga funcionar la lavavajillas a menos que todos los paneles estén colocados debidamente en su lugar.
- No juegue con los controles.
- No abuse, ni se siente ni se pare sobre la puerta, la tapa o sobre las canastas de la lavavajillas.
- Para reducir el riesgo de lesión, no permita que los niños jueguen dentro ni sobre la lavavajillas.
- Bajo ciertas condiciones, un sistema de agua caliente que no ha sido usado por dos semanas o más puede producir gas hidrógeno. **EL GAS HIDRÓGENO ES EXPLOSIVO.** Si el sistema de agua caliente no ha sido usado por ese período, abra todas las llaves de agua caliente y deje que corra el agua por varios minutos antes de usar la lavavajillas. Esto permitirá que los gases acumulados escapen. Debido a que el gas es inflamable, no fume ni encienda ninguna llama cerca de la llave durante este tiempo.
- Quite la puerta o la tapa del compartimento de lavado cuando remueva o deje de usar para siempre una vieja lavavajillas.

GUARDE ESTAS INSTRUCCIONES

⚠️ ADVERTENCIA



Peligro de Vuelco

No use la lavavajillas antes de estar completamente instalada.

No se apoye en la puerta abierta.

No seguir estas instrucciones puede ocasionar heridas serias o cortaduras.

INSTRUCCIONES DE CONEXIÓN A TIERRA

■ **Para una lavavajillas con cable eléctrico y conexión a tierra:**

La lavavajillas debe estar conectada a tierra. En caso de funcionamiento defectuoso o avería, la conexión a tierra reduce el riesgo de choque eléctrico al establecer una ruta de menor resistencia para la corriente eléctrica. La lavavajillas viene equipada con un cable eléctrico que tiene un conductor para conexión a tierra y un enchufe con conexión a tierra. El enchufe debe ser conectado a un contacto apropiado que esté instalado y conectado a tierra de acuerdo con todos los códigos y ordenanzas locales.

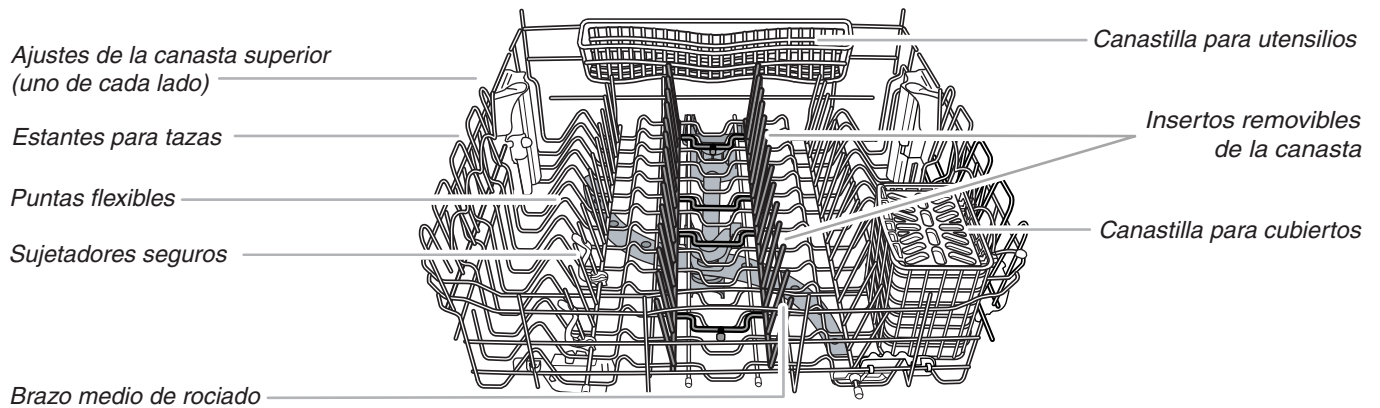
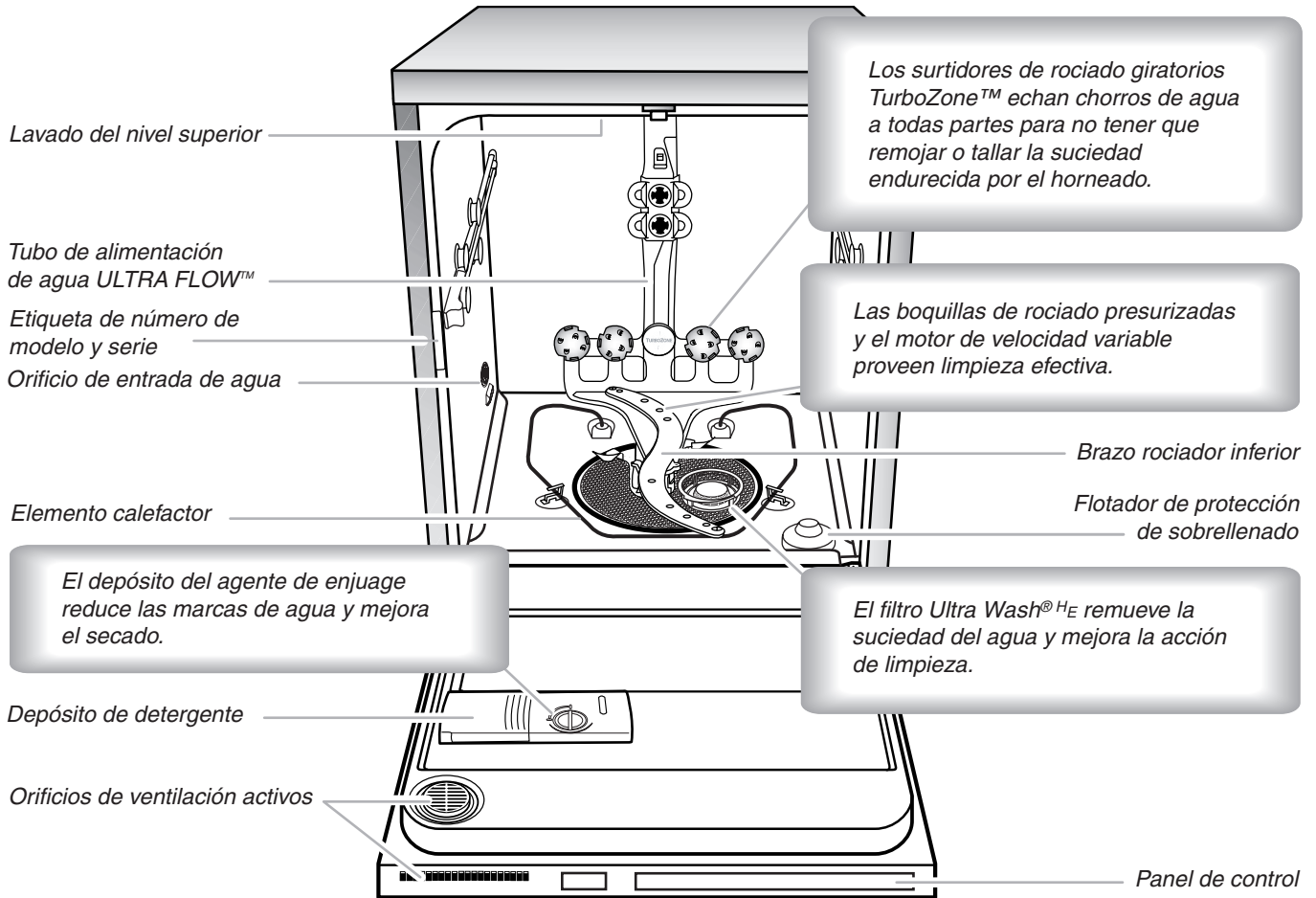
ADVERTENCIA: La conexión inadecuada del conductor de conexión a tierra puede resultar en riesgo de choque eléctrico. Pregunte a un electricista calificado o a un agente de servicio si no está seguro si la lavavajillas está adecuadamente conectada a tierra. No modifique el enchufe que viene con la lavavajillas. Si no cabe en el contacto, pida que un electricista calificado instale un contacto con tierra apropiado.

■ **Para lavavajillas con conexión permanente:**

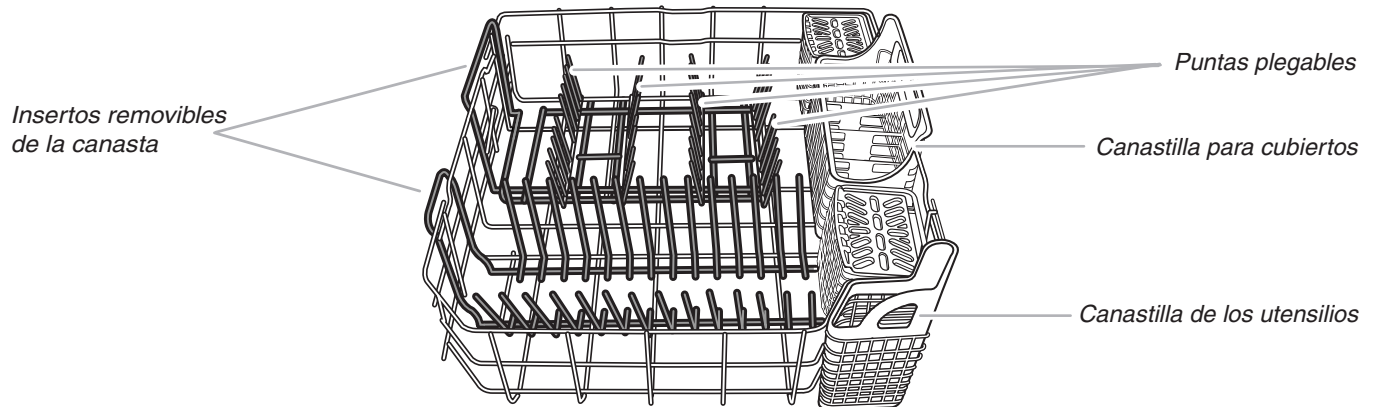
La lavavajillas debe estar conectada a un sistema de alambrado eléctrico con conexión a tierra de metal o a un conductor de conexión a tierra y conectado a la terminal de conexión a tierra o conductor en la lavavajillas.

GUARDE ESTAS INSTRUCCIONES

PIEZAS Y CARACTERÍSTICAS

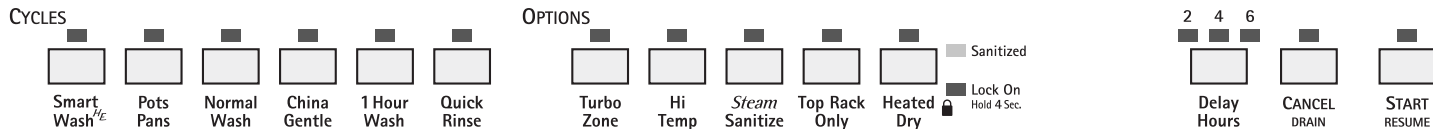


CANASTA SUPERIOR



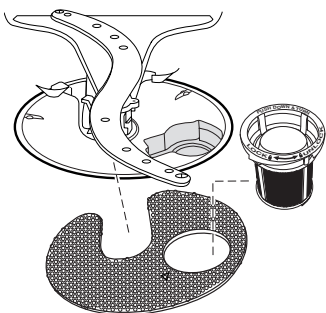
CANASTA INFERIOR

PUESTA EN MARCHA / REFERENCIA RÁPIDA



Los filtros desmontables ULTRA WASH^{HE} proporcionan un rendimiento óptimo.

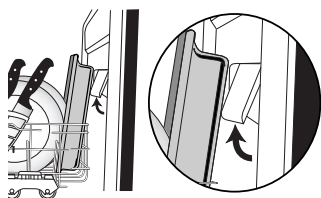
El sistema de tres filtros tiene un filtro grueso para mantener los artículos muy grandes y los objetos extraños fuera de la bomba, un filtro fino para evitar que la comida recircule entre su vajilla y un filtro micro para atrapar todas las partículas muy pequeñas de comida.



Vea "SISTEMA DE FILTRACIÓN ULTRA WASH^{HE} (ULTRA WASH^{HE} FILTRATION SYSTEM)" para obtener información sobre cómo quitar y mantener los filtros.

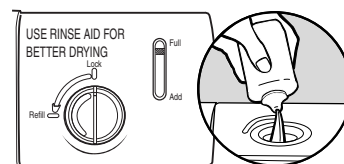
IMPORTANTE: No bloquee el depósito del detergente.

Los artículos altos pueden bloquear la puerta del depósito si se colocan en la canasta inferior. Los moldes para galletas y las tablas para cortar pueden bloquear fácilmente el depósito si se colocan en la parte izquierda de la lavavajillas. Si después de finalizado un ciclo, hay detergente dentro del depósito o en el fondo de la tina, el depósito quedó bloqueado.



Secado - el agente de enjuague es fundamental.

Debe usar un agente de enjuague para obtener un buen secado. (Llene el depósito con toda la muestra incluida.) El agente de enjuague junto con la opción de Heated Dry (Secado con calor) le proporcionarán el mejor secado y evitarán que se forme humedad excesiva en el interior de la lavavajillas.



1 Hour Wash (Lavado en 1 hora) - Cuando necesita resultados rápidos.

Para ahorrar agua y energía, las lavavajillas de alto rendimiento usan una filtración avanzada que puede aumentar la duración de los ciclos (en algunos casos más de 2 horas). Cuando necesite resultados rápidos, el Lavado en 1 hora limpiará su vajilla usando un poco más de agua y energía. Para un mejor secado, seleccione la opción Heated Dry (Secado con calor), lo que agregará una media hora.



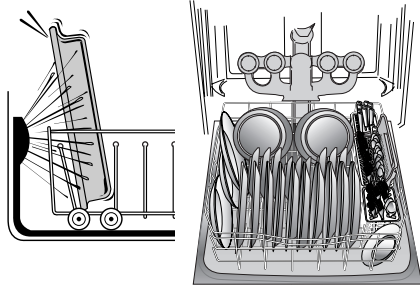
Ciclo SmartWash^{HE}

Durante el ciclo se usan sensores de suciedad ópticos en oportunidades para proporcionar un consumo óptimo de energía y agua en función del tamaño de la carga, la cantidad de suciedad y su resistencia. Los sensores también se calibran automáticamente durante la vida útil de su lavavajillas para mantener el rendimiento de limpieza en función de las características del agua.



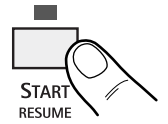
Carga de TurboZone™

Cuando se selecciona la opción TurboZone™, ésta proporciona un lavado concentrado en la parte trasera de la canasta de platos inferior para vajilla difícil de limpiar.



Presione START/RESUME cada vez que agrega un artículo.

Para iniciar y reanudar un ciclo, presione START/RESUME (Inicio/Reanudar) y cierre la puerta en menos de 3 segundos. Si no se cierra la puerta en menos de 3 segundos, la luz LED del botón de inicio destellará y el ciclo no comenzará.



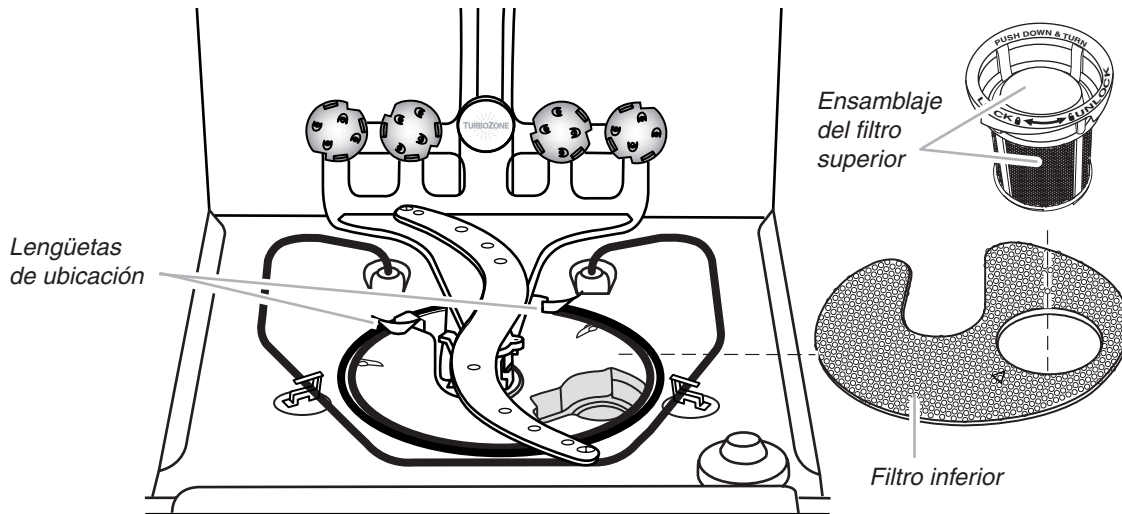
IMPORTANTE: Si alguien abre la puerta (como puede ser para agregar un plato, aún durante la opción de Delay Hours - Horas de retraso), se debe presionar el botón START/RESUME (Inicio/Reanudar) nuevamente y la puerta debe cerrarse en menos de 3 segundos para reanudar el ciclo.

SISTEMA DE FILTRACIÓN ULTRA WASH[®] HE

Su lavavajillas cuenta con la última tecnología en filtración para lavavajillas. El sistema de filtración triple minimiza los sonidos y optimiza el consumo de agua y energía mientras proporciona una limpieza superior. Durante la vida útil de su lavavajillas, el filtro necesitará mantenimiento para conservar el rendimiento óptimo de limpieza.

El sistema de tres filtros consiste de 2 piezas, un ensamblaje de filtro superior y un filtro inferior.

- El ensamblaje de filtro superior mantiene los artículos muy grandes y los objetos extraños, junto con las partículas muy pequeñas de comida, fuera de la bomba.
- El filtro inferior evita que la comida recircule sobre la vajilla.



Es posible que sea necesario limpiar los filtros cuando:

- Haya objetos visibles o suciedad en el ensamblaje del filtro superior.
- Baje la calidad del rendimiento de limpieza (es decir, que los platos sigan sucios).
- Los platos se sienten arenosos al tacto.

Es muy fácil quitar y mantener los filtros. La tabla siguiente muestra la frecuencia recomendada de limpieza.

Intervalos recomendados para la limpieza del filtro.

Cantidad de cargas por semana	Si lava antes de cargar	Si raspa la comida y enjuaga antes de cargar	Si solamente raspa la comida antes de cargar*	Si no raspa la comida ni enjuaga antes de cargar
1-3	Una vez por año	Una vez por año	Dos veces por año	Cada dos meses
4-7	Una vez por año	Una vez por año	Dos veces por año	Un vez por mes
8-12	Una vez por año	Dos veces por año	Cada tres meses	Cada dos semanas
13-14	Una vez por año	Dos veces por año	Cada tres meses	Una vez por semana

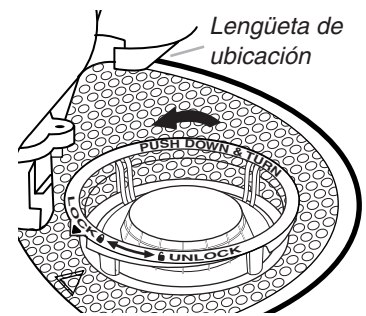
*Recomendación del fabricante: Esta práctica eliminará el agua y la energía que usted usa para preparar la vajilla. También le permitirá ahorrar tiempo y esfuerzo.

Agua muy dura

Si tiene agua dura (más de 15 granos), limpie el filtro al menos una vez por mes. La acumulación de restos blancos en su lavavajillas indica que el agua es dura. Puede traer sus muestras de agua a Sears para verificar el nivel de dureza. Vea la sección "Solución de problemas" para consultar los consejos para quitar las manchas.

Instrucciones para quitar los filtros

1. Gire el ensamblaje del filtro superior ¼ de vuelta hacia la izquierda, levante y sáquelo.
2. Agarre el filtro inferior en la abertura circular, levante levemente y jale hacia adelante para quitarlo.
3. Limpie los filtros como se muestra más abajo.



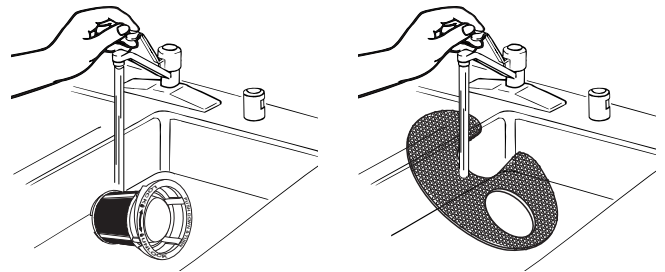
Para quitar el ensamblaje del filtro superior

Instrucciones de limpieza

IMPORTANTE:

No use un cepillo de alambre, estropajo, etc. ya que pueden dañar los filtros.

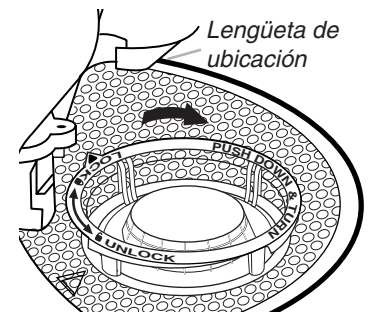
Enjuague el filtro debajo del agua corriente hasta haber quitado la mayor parte de la suciedad. En caso de suciedad difícil de sacar o de depósitos de calcio a causa del agua dura, es posible que deba usar un cepillo suave.



Instrucciones para reinstalar los filtros

1. Fijándose en las ilustraciones anteriores, coloque el filtro inferior debajo de las lengüetas de ubicación en el fondo de la lavavajillas para que la abertura redonda para el ensamblaje del filtro superior esté alineada con la abertura redonda en el fondo de la tina.
2. Inserte el ensamblaje del filtro superior en la abertura circular en el filtro inferior.
3. Rote lentamente el filtro hacia la derecha hasta que caiga en su lugar. Continúe rotando hasta que el filtro quede trabado en su lugar. Si el filtro no encaja completamente (sigue girando libremente), continúe girando el filtro hacia la derecha hasta que caiga y quede trabado en su lugar.

NOTA: No es necesario que la flecha del ensamblaje del filtro superior esté alineada con la flecha en el filtro inferior siempre y cuando el filtro quede trabado.



Para volver a colocar el ensamblaje del filtro superior

IMPORTANTE:

Para evitar dañar la lavavajillas, no la ponga en marcha sin que los filtros ULTRA WASH^{®HE} estén adecuadamente instalados. Asegúrese de que el filtro inferior esté seguro en su lugar y que el ensamblaje del filtro superior esté trabado en su lugar. Si el ensamblaje del filtro superior gira libremente, no está trabado en su lugar.

CONSEJOS PARA LA EFICIENCIA DE LA LAVAVAJILLAS

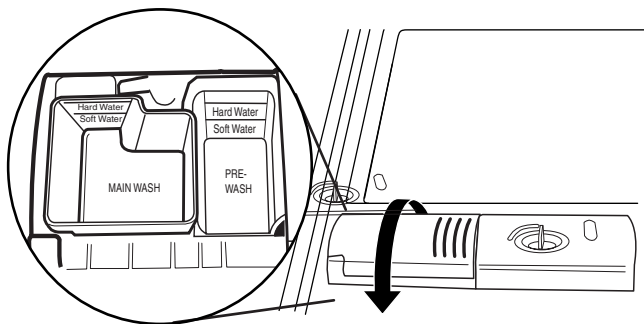
El agua caliente disuelve y activa el detergente para lavavajillas. El agua caliente también disuelve la grasa que se encuentra en los platos y ayuda a secar los vasos sin manchas. Para obtener los mejores resultados, el agua debe estar a 120°F (49°C) cuando entra en la lavavajillas. Si la temperatura del agua está muy baja, los platos podrían quedar menos limpios.

Consejos de eficiencia adicionales

- Para ahorrar agua, energía y tiempo, solamente raspe la comida de los platos. No enjuague los platos antes de ponerlos en la lavavajillas.
- Use una función de retraso para poner la lavavajillas en funcionamiento durante las horas de menos consumo de energía. Las empresas proveedoras de servicios públicos locales recomiendan que se evite un alto consumo de energía en determinadas horas del día.
- Durante el verano, ponga su lavavajillas en funcionamiento en la noche. Esto reduce la acumulación de calor durante el día en la cocina.
- Use un agente de enjuague para mejorar el secado.

DETERGENTE Y AGENTE DE ENJUAGUE

Detergente



IMPORTANTE:

Use únicamente detergentes para lavavajillas automáticas. El detergente para lavar los platos a mano producirá espuma en exceso y ésta se desbordará fuera de la lavavajillas.

Cantidad recomendada de detergente

Agregue la cantidad recomendada de detergente en cada taza, como se muestra, y cierre la tapa del detergente.

Polvos y geles

Dureza del agua	Nivel de suciedad	Taza para el prelavado	Taza para el lavado principal
Suave (0-4 granos por galón de EE.UU.)	Ligero	Ninguna	½
	Normal	Ninguna	½
	Intenso	Llena	½
Media (5-9 granos por galón de EE.UU.)	Ligero	Ninguna	½
	Normal	½	½
	Intenso	Llena*	Llena*
Dura (10-14 granos por galón de EE.UU.)	Ligero	½	Llena*
	Normal	Llena*	Llena*
	Intenso	Llena*	Llena*

*La taza llena para el prelavado contiene 7 ctas (35 mL) y la taza llena para el lavado principal contiene 9 ctas (45 mL).

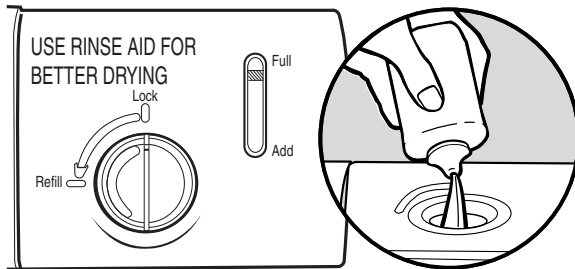
Detergentes previamente medidos

Varios detergentes vienen ahora en formatos previamente medidos (paquetes con gel, tabletas o paquetes con polvo). Estos formatos son apropiados para todos los niveles de dureza y suciedad. Coloque siempre los detergentes previamente medidos en la taza principal y cierre la tapa.

IMPORTANTE:

Los residuos minerales del agua extremadamente dura (15 granos por galón de EE.UU. o más) pueden causar daños en su lavavajillas y hacer difícil que se obtengan buenos resultados. Se recomienda usar un ablandador de agua para evitar daños y obtener buenos resultados. Puede llevar muestras de agua a Sears para verificar el nivel de dureza.

Agente de enjuague



IMPORTANTE:

Su lavavajillas está diseñada para usar un agente de enjuague líquido. El uso de agentes de enjuague mejora mucho el secado, al permitir que el agua se escurra de la vajilla después del último enjuague. También evita que el agua forme gotitas que al secar quedan como manchas o rayas.

Llenado del depósito

El depósito tiene capacidad para 5 onzas (150 mL) de agente de enjuague. En condiciones usuales, esta cantidad durará de uno a tres meses.

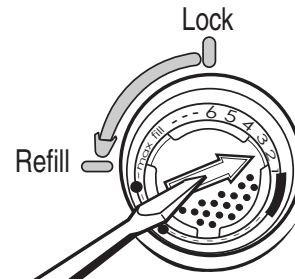
1. Gire la perilla hacia la posición de REFILL (Volver a llenar) y retírela.
2. Vierta el agente de enjuague en la abertura hasta que el indicador esté en FULL (Lleno). No sobrellene.
3. Limpie todo el agente de enjuague derramado. El agente de enjuague que se derrama puede crear espuma en exceso.

4. Vuelva a colocar la perilla y gírela hacia la posición de LOCK (Bloqueo).

NOTA: El indicador mostrará el nivel de llenado correcto cuando se abra completamente la puerta.

Selección de nivel del agente de enjuague

El depósito del agente de enjuague es regulable. Para casi todos los tipos de agua, la selección de fábrica de 2 dará buenos resultados. Si usted tiene agua dura y nota que se acumula calcio en la vajilla, tal vez desee probar con un ajuste más alto.



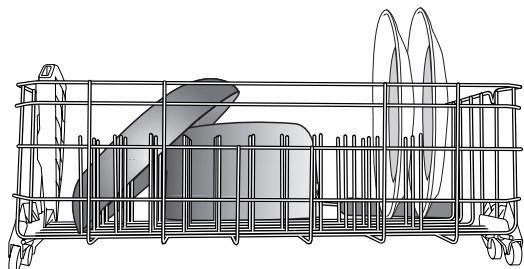
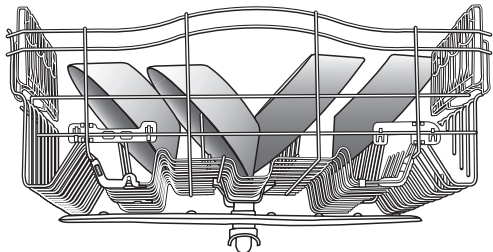
Para regular la selección

1. Gire la perilla hacia la posición de REFILL (Volver a llenar) y retírela.
2. Gire la flecha que se encuentra dentro del depósito hacia el ajuste deseado.
3. Vuelva a colocar la perilla y gírela hacia la posición de LOCK (Bloqueo).

CÓMO CARGAR

Cómo cargar para el mejor funcionamiento

1. Coloque en ángulo las superficies más sucias de la vajilla hacia abajo y deje espacio para que el agua fluya hacia arriba, a través de cada canasta y entre la vajilla.



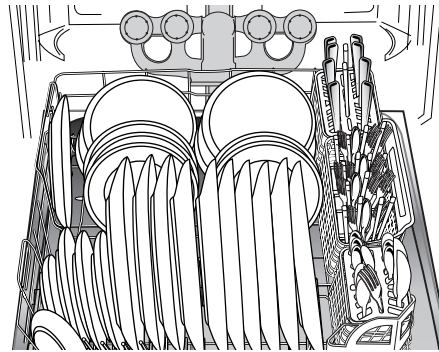
Al separar la vajilla, se permite el flujo de agua.

2. Para una mejor limpieza de los cubiertos, use las ranuras que están en las cubiertas, de modo que los artículos se mantengan separados.



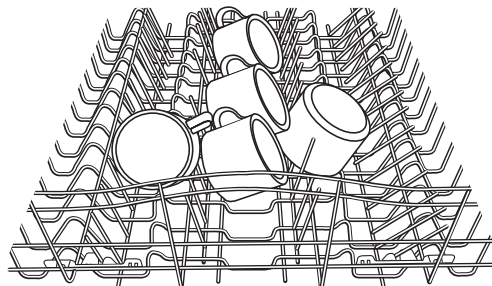
Artículos separados

3. Use la opción TURBOZONE™ colocando sus artículos más sucios mirando hacia la parte posterior inferior.



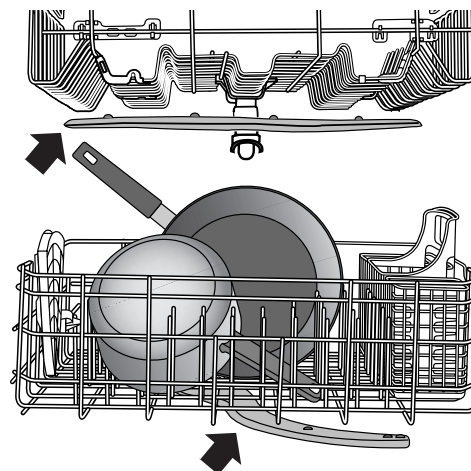
Artículos sucios mirando hacia los surtidores de rociado TURBOZONE™

4. Coloque en ángulo las superficies cóncavas, tales como la base de las tazas de café, para permitir que el agua se drene y así lograr un funcionamiento mejorado del secado.



Artículos con las superficies en ángulo

5. Antes de cada ciclo, verifique que todos los brazos rociadores giren libremente.



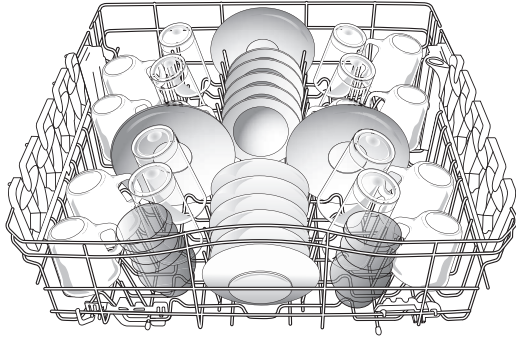
Los brazos rociadores giran libremente.

Cómo cargar la canasta superior

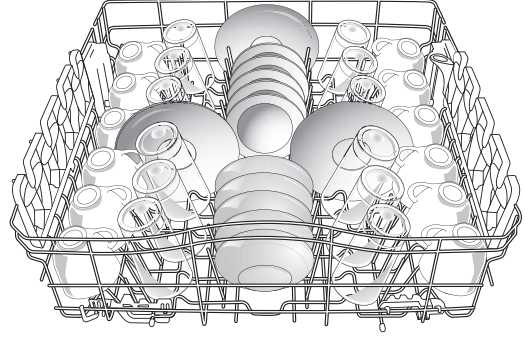
Recomendaciones para cargar

Coloque las tazas y vasos en las hileras entre las puntas. Si los coloca sobre las puntas pueden romperse o terminar con manchas de agua. Para evitar que se dañen sus artículos delicados, asegúrese de que la porcelana, cristalería y otros objetos similares no se toquen durante el funcionamiento de la lavavajillas.

Coloque los objetos livianos y de plástico aptos para lavavajillas sólo en la canasta superior.



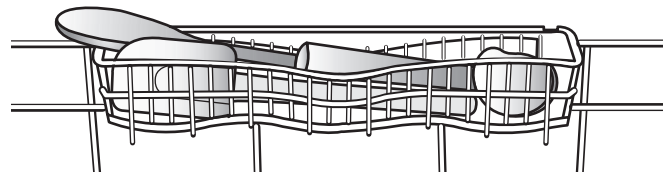
Carga para 10 puestos



Carga para 12 puestos

Canastilla para utensilios

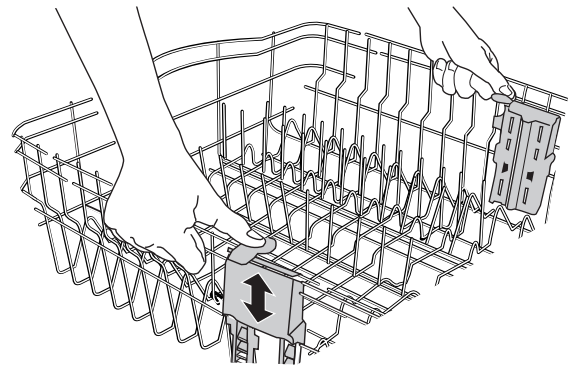
Use esta canastilla con capacidad adicional en la parte posterior de la canasta superior para colocar espátulas, cucharas para servir y artículos similares.



Canasta de lujo ajustable en 2 posiciones

Usted puede subir o bajar la canasta superior para acomodar artículos más altos tanto en la canasta superior como en la inferior. Los ajustes se encuentran a cada lado de la canasta superior. Levante la canasta superior para acomodar artículos de hasta 9" (22 cm) en la canasta superior y hasta de 13" (33 cm) en la canasta inferior; o baje la canasta superior para acomodar artículos de hasta 11" (28 cm) de altura en ambas canastas.

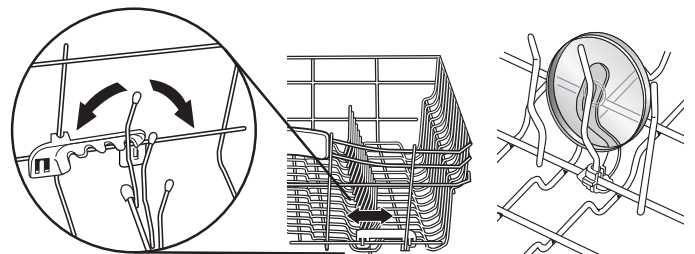
1. Para levantar, levante la canasta hasta que ambos lados estén a la misma altura y trábela.
2. Para bajar, presione ambas lengüetas en los ajustes de la canasta, como se muestra, y bájela.



Puntas flexibles y sujetadores seguros

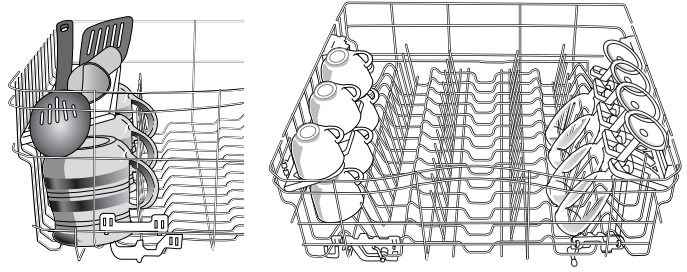
La hilera de puntas a los lados izquierdo y derecho de la canasta superior se puede ajustar para acomodar diversos tamaños de platos.

Durante el lavado los sujetadores seguros mantienen en su lugar artículos livianos como pueden ser tazas, tapas o tazones. Se puede pasar el sujetador a otra punta jalándolo hacia arriba y sacándolo.



Estantes para tazas

Doble hacia abajo el estante adicional en uno de los lados de la canasta superior para sostener tazas adicionales, cristalería o artículos largos como utensilios y espátulas.



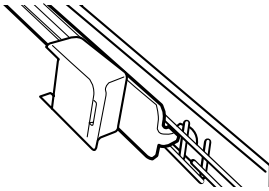
Canasta superior removible

La canasta superior removible le permite lavar objetos más grandes tales como ollas, charolas para asar y moldes para galletas en la canasta inferior.

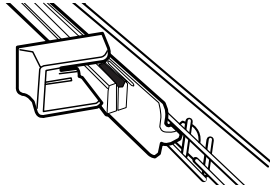
IMPORTANTE: Quite los platos antes de quitar la canasta superior de la lavavajillas.

Para quitar la canasta

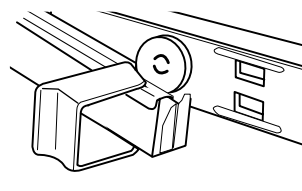
1. Para lograr acceso a los topes del riel, jale la canasta superior hacia adelante hasta que la mitad esté fuera de la tina.
2. Para abrir, dé vuelta el tope del riel hacia fuera de la tina.
3. Después de abrir ambos topes del riel, deslice la canasta hacia fuera hasta que se detenga. Levante las ruedas frontales hacia fuera de la ranura en cada riel. Continúe jalando la canasta hacia adelante en el riel y deslice las ruedas posteriores hacia arriba y fuera del riel.



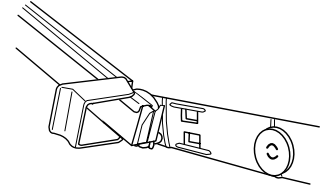
Tope del riel cerrado.



Tope del riel abierto.



Saque la rueda frontal de la canasta.



Saque la rueda posterior del riel.

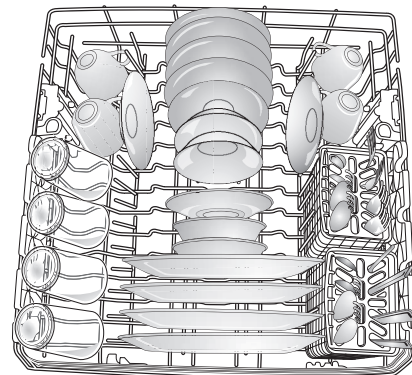
4. Cierre los topes del riel y deslice los rieles hacia atrás, dentro de la lavavajillas.

Para volver a colocar la canasta

1. Jale los rieles suavemente hacia delante en la lavavajillas hasta que se detengan. Abra los topes del riel.
2. Coloque las ruedas posteriores a cada lado de la canasta en la ranura del riel y vuelva a deslizarlas dentro de los rieles, pero no empuje la canasta totalmente dentro de la tina.
3. Inserte las ruedas frontales de la canasta a cada lado de la misma, en las ranuras del riel.
4. Deslice la canasta dentro de la lavavajillas. Los topes se cerrarán automáticamente cuando la canasta entre en la lavavajillas.

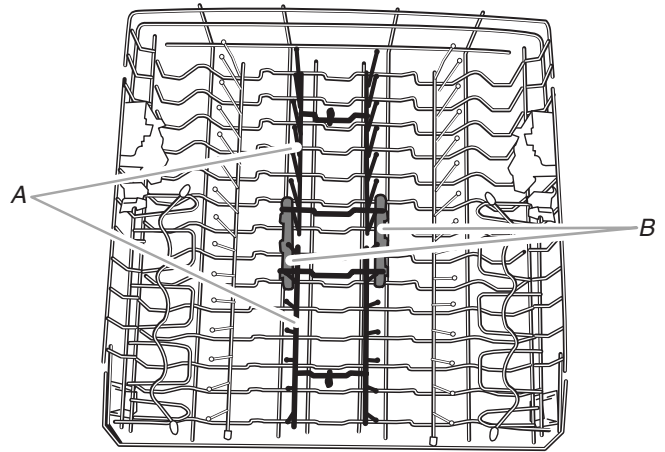
Carga para la opción de Top Rack Only (Sólo canasta superior)

Solamente lava los platos colocados en la canasta superior. Para mayor comodidad, use esta opción para cargas pequeñas. La ilustración muestra un modelo sugerido de 5 puestos. Si se necesita una canastilla de cubiertos adicional, use una de las canastillas laterales de la canasta inferior.



Insertos removibles de la canasta superior

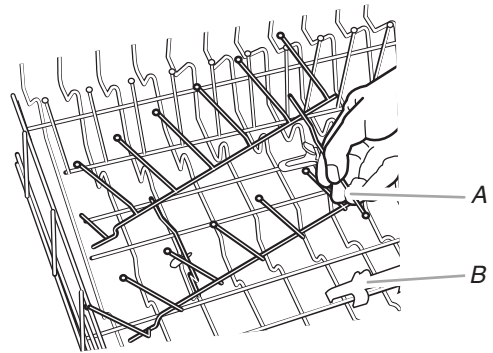
Su lavavajillas viene equipada con 2 insertos removibles para la canasta superior. (Vea la ilustración.) Los insertos removibles de la canasta le permiten ajustar la canasta según el tipo de carga que vaya a lavar. Esto es útil cuando va a lavar una variedad de cristalería y platos.



A. Insertos removibles de la canasta
B. Sujetadores para sostener los insertos

Para retirar los insertos

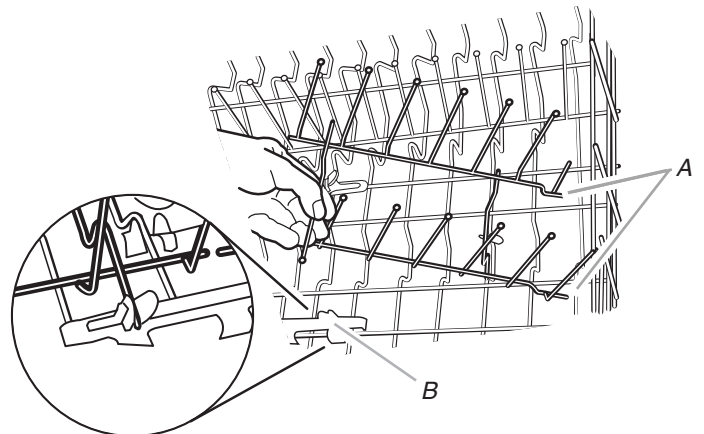
1. Levante el alambre del inserto que está ubicado hacia el centro de la canasta, para sacar el inserto de los sujetadores que lo sostienen.
2. Saque el inserto de la canasta.



A. Levante el alambre del inserto removible para sacarlo de los sujetadores que lo sostienen.
B. Sujetadores para sostener

Cómo instalar los insertos de la canasta

1. Coloque las patas de los extremos de los insertos debajo del alambre frontal o posterior de la canasta, como se muestra abajo.
2. Empuje hacia abajo sobre el alambre central del inserto hasta que se deslice en el sujetador que lo sostiene sobre cualquiera de los lados del centro, en la parte inferior de la canasta.



A. Patas del inserto
B. Sujetadores para sostener los insertos

Cómo cargar la canasta inferior

Recomendaciones para cargar

La canasta inferior es más apropiada para platos, ollas, cacerolas y utensilios. (Vea los siguientes modelos recomendados de carga.)

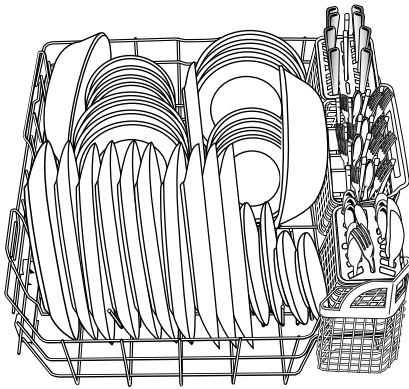
Coloque los artículos pequeños en la canasta inferior únicamente si están seguros en su lugar.

Coloque los platos, tazones de sopa, etc. entre las puntas.

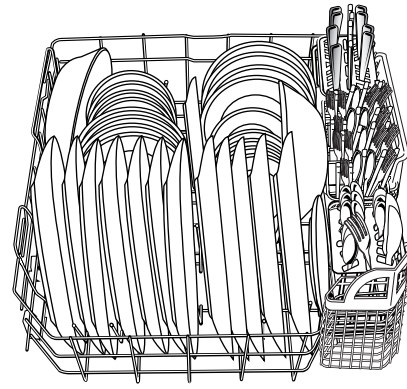
Coloque los tazones firmemente entre las hileras de puntas. Asegúrese de que hay suficiente espacio entre los platos para que el rociador pueda alcanzar todas las superficies.

Cargue los artículos con suciedad profunda mirando hacia el rociador.

NOTA: Asegúrese de que el depósito de detergente no esté bloqueado por artículos altos, tales como charolas para galletas y tablas para cortar colocadas en el lado izquierdo del frente de la canasta. Vea la sección “Puesta en marcha/Referencia rápida”.



Carga de 10 puestos



Carga de 12 puestos

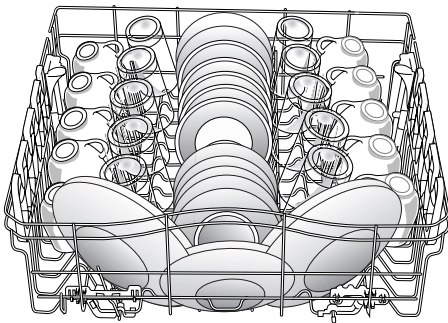
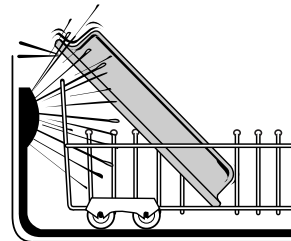
Cómo cargar en TURBOZONE™

IMPORTANTE: Para un funcionamiento adecuado, solamente una hilera de artículos puede mirar hacia los surtidores de rociado TURBOZONE™.

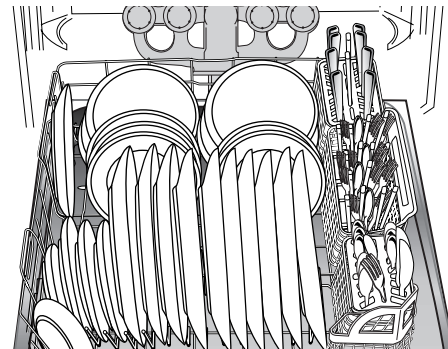
Usted deberá seleccionar la opción de lavado TURBOZONE™ para utilizar esta característica de lavado.

Cargue las sartenes, cacerolas, etc. con las superficies sucias mirando hacia los surtidores de rociado TURBOZONE™. El área de lavado TURBOZONE™ está ubicada en la parte posterior de la canasta de platos inferior.

A continuación se muestran una cargas recomendadas para cuando se use la opción TURBOZONE™.



Carga recomendada de TURBOZONE™ para 10 puestos en la canasta superior

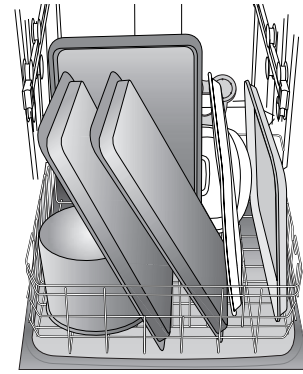
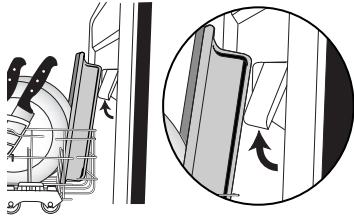


Carga recomendada de TURBOZONE™ para 10 puestos en la canasta inferior

Cómo cargar los artículos altos

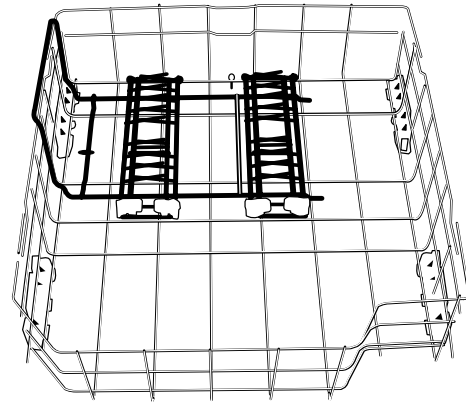
Usted puede lavar artículos más grandes, tales como ollas, asadores y charolas para galletas en la canasta inferior, sacando la canasta superior. Vea “Cómo cargar la canasta superior”.

IMPORTANTE: No obstruya el depósito de detergente.



Puntas plegables

Usted puede plegar 4 hilera de puntas en la parte posterior de la canasta inferior para hacer lugar para artículos más grandes.

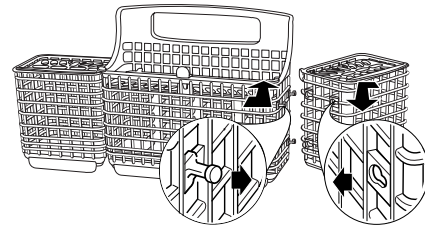


Canastilla separable de los cubiertos

Su nueva canastilla para los cubiertos puede separarse en tres segmentos.

Si quita una sección, aumentará la capacidad para cargar en el área de TURBOZONE™.

Puede quitar las canastillas laterales cubiertas y colocarlas en la canasta superior, para la opción Top Rack Only (Sólo canasta superior). Úsela para los artículos delicados pequeños, tales como tapas de biberones, tetinas, utensilios para hornear pequeños, etc.

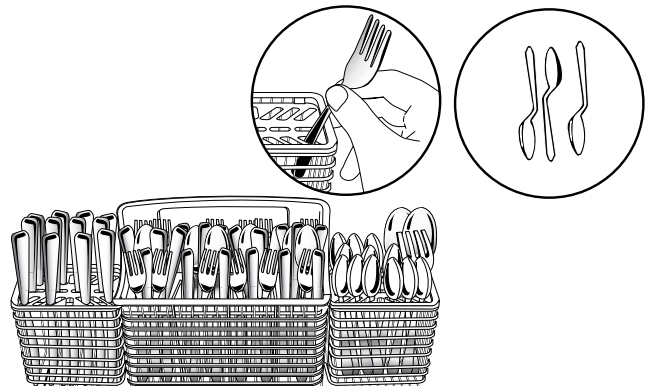


Carga de cubiertos

Siga los modelos de carga sugeridos, según se muestra, para limpiar mejor los cubiertos.

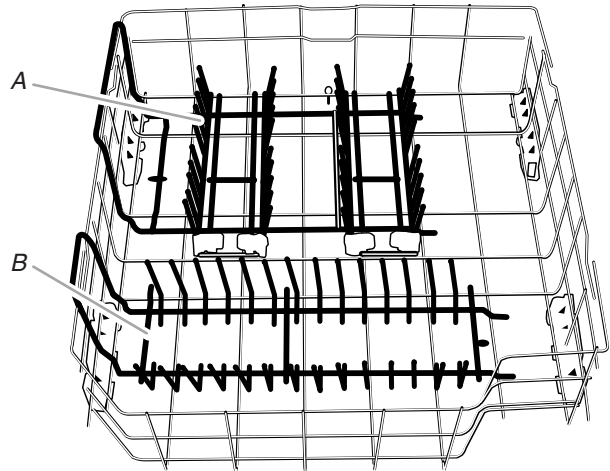
Para un óptimo lavado, use las ranuras que están en las tapas para mantener los cubiertos separados. (Vea la ilustración a la derecha.)

NOTA: Si los cubiertos no caben en las ranuras designadas, dé vuelta a las tapas y mezcle los tipos de cubiertos, para mantenerlos separados. Coloque los cuchillos hacia abajo, los tenedores hacia arriba y alterne las cucharas, como se ilustra, para obtener mejores resultados en la limpieza.



Insertos removibles de la canasta inferior

Su lavavajillas viene equipada con 2 insertos removibles para la canasta inferior. (Vea la ilustración.) Los insertos removibles simples y dobles de la canasta le permiten ajustar la canasta según el tipo de carga que vaya a lavar. Esto es útil cuando vaya a lavar una variedad de platos, ollas y cazuelas o charolas para asar.

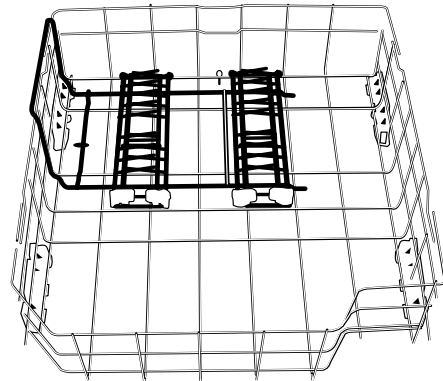


A. Inserto posterior doble de la canasta
B. Inserto frontal simple de la canasta

Inserto posterior doble de la canasta

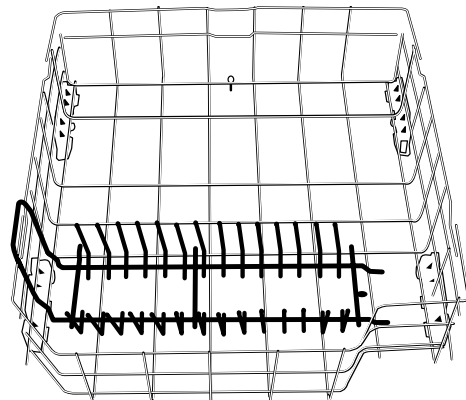
El inserto posterior doble de la canasta le permite lavar una gran cantidad de platos, fuentes y bandejas grandes.

La opción de puntas plegables de este inserto le da flexibilidad para ajustar sus opciones de carga para platos más chicos y tazones, hasta fuentes más grandes.



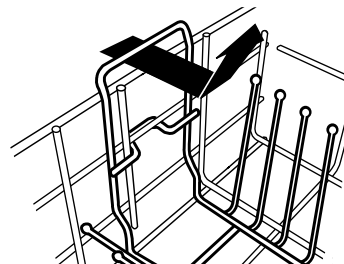
Inserto frontal simple de la canasta

El inserto frontal simple de la canasta le permite lavar una gran cantidad de platos y tazones medianos.



Cómo sacar los insertos doble y simple

1. Jale la agarradera hacia fuera, a la derecha, y hacia arriba para liberar el inserto.
2. Saque el inserto de la canasta.

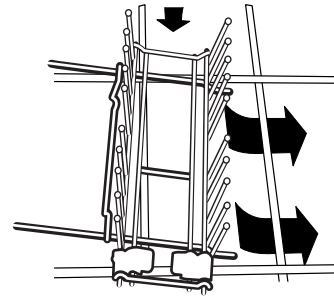


Cómo instalar el inserto posterior doble

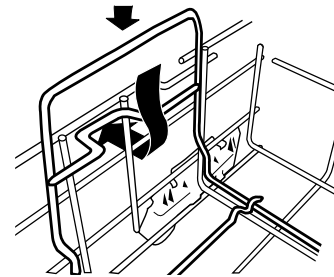
NOTA: Será más fácil instalar los insertos si saca la canastilla de los cubiertos de la canasta.

1. Coloque las patas del extremo del inserto posterior doble debajo del tercer alambre desde la derecha, como se muestra abajo.

IMPORTANTE: Asegúrese de que los alambres curvos, que se encuentran en la parte inferior del inserto, encajen sobre los alambres que están en la parte inferior de la canasta.



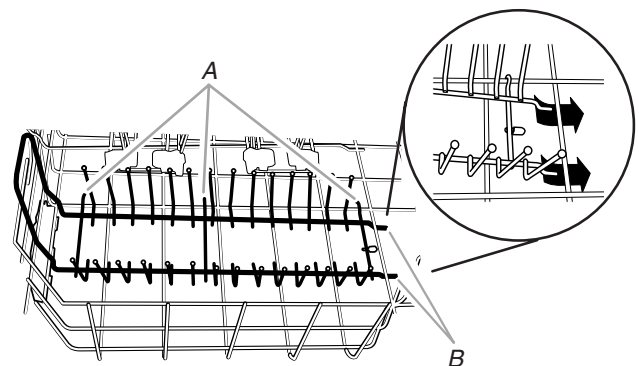
2. Empuje el inserto hacia abajo hasta que la agarradera encaje en el extremo exterior de la canasta.
3. Cuando la lengüeta central debajo de la agarradera se trabe bajo el alambre lateral medio de la canasta, significa que el inserto está en su lugar. (Vea la ilustración.)



Cómo instalar el inserto frontal simple

1. Coloque las patas del extremo del inserto frontal simple debajo del segundo alambre desde la derecha, como se muestra abajo.

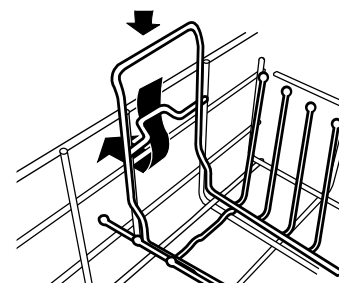
IMPORTANTE: Asegúrese de que los 3 ganchos que están en la parte posterior del inserto estén instalados sobre el segundo alambre inferior de la canasta, desde el frente de la misma.



A. 3 ganchos del inserto

B. Patas de los extremos frontales del inserto simple

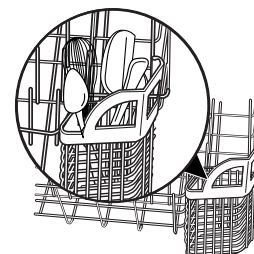
2. Empuje el inserto hacia abajo hasta que la agarradera encaje en el extremo exterior de la canasta.
3. Cuando la tableta central debajo de la agarradera se trabe bajo el alambre lateral medio de la canasta, significa que el inserto está en su lugar. (Vea la ilustración.)



Canastilla de los utensilios

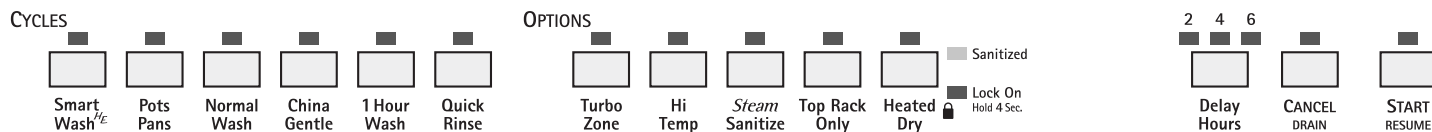
Use la canastilla de los utensilios para sostener utensilios de cocina especiales (tales como cucharas para servir, espátulas y artículos similares) o cubiertos extra grandes. La canastilla se cuelga en la canastilla inferior, en la esquina derecha. Cargue la canastilla mientras esté en la canasta inferior, o sáquela para cargarla en un mostrador o una mesa.

NOTA: Haga girar los brazos rociadores. Asegúrese de que los objetos en la canastilla no detengan la rotación de los brazos rociadores.



USO DE LA LAVAVAJILLAS

Información sobre los ciclos y opciones



Ciclos	Nivel de suciedad	Tiempo* (min.) sin opciones		Uso del agua en galones (litros)
		Típico**	Máx.	
Ciclo SmartWash®^{HE} El ciclo más avanzado y versátil. Este ciclo detecta el tamaño de la carga, la cantidad de suciedad y su resistencia. Este ciclo es óptimo para alcanzar un lavado excepcional con la mínima cantidad de agua y consumo de energía.	Ligera a mediana	110	163	4,2 (15,9)
	Rebelde/ Endurecida a causa del horneado	135	194	4,8 (18,2)
	Profunda	135	194	6,9 (26,1)
Pots Pans (Ollas, cacerolas) Funciona mejor con los artículos más difíciles como cacerolas con restos de alimentos endurecidos a causa del horneado. Úselo con la opción TURBOZONE™ para obtener la mejor limpieza de la suciedad endurecida por el horneado.	Ligera a mediana	140	202	4,8 (18,2)
	Rebelde/ Endurecida a causa del horneado	150	203	6,9 (26,1)
Normal Wash (Lavado normal) Detecta el nivel de suciedad y hace ajustes en el agua y energía utilizadas. La información de Energy Guide (Guía de energía) está basada en este ciclo.	Ligera a mediana	110	161	4,2 (15,2)
	Profunda	130	193	6,9 (26,1)
China Gentle (Porcelana, artículos delicados) Proporciona un lavado ligero y un secado suave para los artículos delicados como pueden ser porcelana y cristal.	Ligera a mediana	105	161	4,2 (15,2)
	Profunda	125	194	6,9 (26,1)
1 Hour Wash (Lavado en 1 hora) Para ahorrar agua y energía, las lavavajillas de alto rendimiento usan un filtrado avanzado que aumenta la duración de los ciclos (en algunos casos más de 2 horas). Cuando necesite resultados rápidos, el Lavado en 1 hora limpiará su vajilla usando un poco más de agua y energía. Para un mejor secado, seleccione la opción Heated Dry (Secado con calor), lo que agregará una media hora.	Todos los niveles de suciedad	58	58	8,0 (30,3)
Quick Rinse (Enjuague rápido) Un enjuague de 15 minutos para reducir el olor proveniente de la comida y prevenir que los restos de comida se sequen. No use detergente.	Todos los niveles de suciedad	15	16	2,1 (7,9)

*Al agregar opciones aumentará el tiempo del ciclo. Vea la sección de información de opciones.

**Este es el tiempo aproximado del ciclo que se obtiene con agua caliente a 120°F (49°C) en la lavavajillas. La baja temperatura del agua entrante genera un aumento del tiempo.

Opciones	Puede seleccionarse con	Lo que hace	Tiempo adicional del ciclo		Agua adicional [†] en galones (litros)
			Típico	Máx.	
<p>Opción TURBOZONE™</p> <p>Emite chorros hacia todas partes para eliminar la necesidad de remojar y tallar los platos sucios y con comida endurecida a causa del horneado. Para sus artículos más difíciles, use la opción TURBOZONE™ con el ciclo Pots Pans (Ollas, cacerolas). Vea la información sobre cómo cargar.</p>	<p>SmartWash® Pots Pans (Ollas, cacerolas) Normal Wash (Lavado normal)</p>	<p>Concentra todo el poder de lavado de la lavavajillas en el área de TURBOZONE™ durante ciertos momentos del ciclo de lavado.</p>	25	40	0 - 2,1 (0 - 7,9)
<p>Hi Temp (Temperatura alta)</p> <p>Aumenta la temperatura del lavado principal para mejorar la limpieza. Cuando se usa con el ciclo Normal Wash (Lavado normal), la capacidad de limpieza será un poco más potente pero no tanto como en el ciclo de Pots Pans.</p>	<p>SmartWash® Pots Pans (Ollas, cacerolas) Normal Wash (Lavado normal)</p>	<p>Aumenta la temperatura del lavado principal de 105°F (41°C) a 120°F (49°C).</p>	22	37	0 - 2,1 (0 - 7,9)
<p>Steam Sanitize (Higienizado con vapor)</p> <p>Esta opción con vapor a alta temperatura higieniza sus platos y su cristalería según el Estándar 184 de la Fundación Nacional de la Salubridad de Estados Unidos (NSF)/ANSI para lavavajillas domésticas. Las lavavajillas domésticas certificadas no han sido diseñadas para los establecimientos con licencia para alimentos. La luz verde de higienizado indica que la opción Steam Sanitize ha finalizado con éxito.</p>	<p>SmartWash® Pots Pans (Ollas, cacerolas) Normal Wash (Lavado normal)</p>	<p>Aumenta la temperatura del lavado principal de 105°F (41°C) a 120°F (49°C) y el enjuague final de 140°F (60°C) a 155°F (68°C) y proporciona vapor.</p>	37	57	0 - 2,1 (0 - 7,9)
<p>Top Rack Only (Sólo canasta superior)</p> <p>Para mayor comodidad, use esta opción para lavar una pequeña carga de platos en la canasta superior.</p>	<p>Disponible con cualquier ciclo</p>	<p>Lavado rápido para una carga pequeña.</p>	-7	-18	0

<p>Heated Dry (Secado con calor) Enciende el elemento calefactor después que se termina el ciclo de lavado. Use un agente de enjuague con o sin la opción Heated Dry para obtener los mejores resultados de secado. Es menos probable que los artículos de plástico se deformen cuando se colocan en la canasta de platos superior.</p>	<p>Disponible con cualquier ciclo excepto Quick Rinse (Enjuague rápido)</p>	<p>Enciende el elemento calefactor al final del ciclo de lavado.</p>	<p>26</p>	<p>32</p>	<p>0</p>
--	--	--	-----------	-----------	----------

†La cantidad máxima de agua adicional que se utiliza para cualquier combinación de opciones es 2,1 gal. (7,9 L).

Delay Hours (Horas de retraso)

Use esta opción para poner la lavavajillas en funcionamiento durante las horas de menos consumo de energía. Las empresas proveedoras de servicios públicos locales recomiendan consumir energía durante las horas de menos consumo de energía siempre que sea posible.

Para retrasar el inicio

1. Seleccione un ciclo y opciones de lavado.
2. Presione el botón de retraso para elegir el número de horas de retraso.
3. Presione START/RESUME (Inicio/Reanudar) y cierre firmemente la puerta dentro de 3 segundos.

NOTA: Cada vez que se abra la puerta (por ejemplo, para agregar un plato), el botón START/RESUME (Inicio/Reanudar) debe ser presionado dentro de 3 segundos después de haber cerrado la puerta para reanudar la cuenta regresiva de retraso.

Opción Control Lock (Bloqueo de control)

Use la opción de Control Lock para evitar el uso no intencional de la lavavajillas entre un ciclo y otro. Cuando la luz de LOCK ON (Bloqueo) está encendida, todos los botones están desactivados. La puerta de la lavavajillas puede abrirse y cerrarse mientras los controles están bloqueados.

Para activar el bloqueo

Oprima y sostenga HEATED DRY (Secado con calor) durante 4 segundos. Se encenderá LOCK ON. Si usted oprime cualquier botón mientras su lavavajillas está con bloqueo, la luz se enciende y apaga 4 veces.

NOTA: La lavavajillas no puede funcionar si el control está bloqueado.

Para desactivar el bloqueo

Oprima y sostenga HEATED DRY (Secado con calor) durante 4 segundos. La luz se apaga.

Luces indicadoras de estado



- A. Ciclo de lavado
- B. Ciclo de secado
- C. Luz de limpio

Luces del panel frontal - La luz izquierda indica que la lavavajillas está en el ciclo de lavado. La luz del medio indica que la lavavajillas está en el ciclo de secado. La luz Clean (Limpio) de color verde y ubicada en el lado derecho indica que el ciclo terminó y que la lavavajillas está lista para descargar. Si la luz Clean está destellando, vea la sección "Solución de problemas".

Cómo cancelar un ciclo

1. Abra la puerta ligeramente para detener el ciclo. Espere a que la acción de rociado se detenga antes de abrir la puerta por completo.
2. Presione una vez el botón CANCEL/DRAIN (Cancelar/Desaguar). La luz Cancel/Drain se encenderá.
3. Cierre la puerta dentro de los 3 segundos. La lavavajillas comienza un ciclo de desagüe (si ha quedado agua en el fondo de la lavavajillas). Deje que la lavavajillas complete el desagüe. La luz Cancel/Drain se apaga al cabo de los 2 minutos.

Cómo cambiar un ciclo después de iniciar la lavavajillas

Puede interrumpir un ciclo y volver a iniciar la lavavajillas desde el comienzo usando el siguiente procedimiento.

1. Abra la puerta ligeramente para detener el ciclo. Espere a que la acción de rociado se detenga, luego abra la puerta por completo.
2. Verifique que la tapa del depósito de detergente permanezca cerrada. Si la tapa está abierta, necesitará volver a llenar el depósito de detergente antes de volver a iniciar el nuevo ciclo.
3. Presione CANCEL/DRAIN dos veces para volver a fijar el control.
4. Seleccione los nuevos ciclos y opciones.
5. Presione START/RESUME (Inicio/Reanudar) y cierre firmemente la puerta en menos de 3 segundos.

NOTA: Si no se cierra la puerta en menos de 3 segundos de haber presionado Start/Resume, presione START/RESUME nuevamente.

Cómo agregar un artículo después de iniciar la lavavajillas

1. Abra la puerta ligeramente para detener el ciclo. Espere a que la acción de rociado se detenga, luego abra la puerta por completo.
2. Verifique si la tapa del depósito de detergente está aún cerrada. Si está abierta, el ciclo de lavado ya comenzó y no se recomienda agregar ningún plato.
3. Si el detergente todavía no se usó (la tapa del depósito del detergente está cerrada), puede agregar un plato.
4. Presione START/RESUME (Inicio/Reanudar) y cierre firmemente la puerta en menos de 3 segundos.

CÓMO LAVAR ARTÍCULOS ESPECIALES

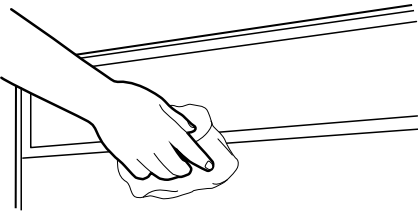
Si tiene dudas acerca del lavado de un artículo determinado, consulte con el fabricante para ver si se trata de un artículo lavable en la lavavajillas.

Material	¿Lavable en la lavavajillas?	Comentarios
Aluminio	Sí	La temperatura alta del agua y los detergentes pueden afectar el acabado del aluminio anodizado.
Aluminio desechable	No	No lave bandejas de aluminio desechables en la lavavajillas. Éstas podrían moverse durante el lavado y dejar unas marcas negras en los platos y otros objetos.
Botellas y latas	No	Lave las botellas y latas a mano. Las etiquetas engomadas pueden soltarse y obstruir el sistema de lavado y reducir el rendimiento de lavado.
Hierro fundido	No	Se perderá el curado y el hierro se oxidará.
Porcelana/ Cerámica de gres	Sí	Consulte siempre las recomendaciones del fabricante antes de lavar. Los diseños antiguos, pintados a mano o sobre glaseado se podrían desteñir. Los acabados dorados pueden perder su color o intensidad.
Cristal	Sí	Consulte siempre las recomendaciones del fabricante antes de lavar. Algunos tipos de cristal de sosa pueden corroerse después de varias lavadas.
Oro	No	Los cubiertos dorados perderán su color.
Vidrio	Sí	El material de los vasos de leche se pondrá amarillento luego de varias lavadas en la lavavajillas.
Cuchillos con mango hueco	No	Los mangos de algunos cuchillos están fijados a la hoja con adhesivos que pueden aflojarse al ser lavados en la lavavajillas.
Peltre, latón, bronce y cobre	No	Las temperaturas altas del agua y el detergente pueden decolorar o picar el acabado.
Plásticos desechables	No	No pueden resistir las temperaturas altas del agua y los detergentes.
Plásticos	Sí	Consulte siempre las recomendaciones del fabricante antes de lavar. La capacidad de los objetos de plástico para resistir las temperaturas altas y los detergentes varía. Es recomendable colocar los objetos livianos, tales como tapas y mantequeras, sólo en la canasta superior. Objetos duros tales como refrigerantes y bandejas de sillas para bebés pueden colocarse en la canasta inferior. Cuando lave objetos de plástico en la canasta inferior, no es recomendable usar la opción de Heated Dry (Secado con calor).
Acero inoxidable	Sí	Haga correr un ciclo de enjuague si no va a lavar de inmediato. El contacto prolongado con los alimentos que contienen sal, vinagre, productos lácteos o jugos de fruta puede dañar el acabado.
Plata Sterling o con baño de plata	Sí	Haga correr un ciclo de enjuague si no va a lavar de inmediato. El contacto prolongado con los alimentos que contienen sal, ácido o sulfuro (huevos, mayonesa y mariscos) puede dañar el acabado.
Hojalata	No	No se recomienda.
Artículos de madera	No	Lávelos a mano. Consulte siempre las recomendaciones del fabricante antes de lavar. La madera no tratada puede deformarse, agrietarse o perder el acabado.

CUIDADO DE LA LAVAVAJILLAS

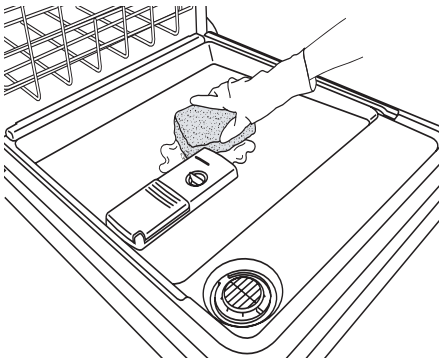
Limpeza

Limpeza externa



En la mayoría de los casos, todo lo que se debe hacer es usar periódicamente un paño suave y húmedo o una esponja con un detergente suave para que el exterior de su lavavajillas se vea limpio y reluciente. Si el exterior de la lavavajillas es de acero inoxidable, se recomienda un limpiador de acero inoxidable.

Limpeza del interior



Los residuos minerales del agua dura pueden causar la acumulación de una película blanca en las superficies interiores, sobre todo inmediatamente debajo del área de la puerta.

No limpie el interior de la lavavajillas hasta que se haya enfriado. Quizás sea necesario usar guantes de hule. No utilice ningún tipo de limpiador que no sea el detergente recomendado para lavavajillas, debido a que puede producir espuma en exceso.

Para limpiar el interior

Haga una pasta con el detergente en polvo de lavavajillas sobre una esponja húmeda y limpie.

O BIEN

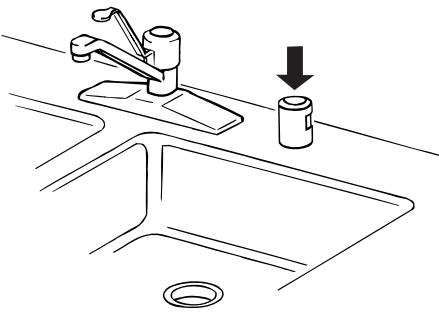
Use detergente líquido de lavavajillas y limpie con una esponja húmeda.

O BIEN

Consulte el procedimiento de enjuague con vinagre en la sección “Solución de problemas” bajo “Manchas o formación de películas en las platos”.

NOTA: Ponga a funcionar un ciclo normal con detergente para lavavajillas después de la limpieza interna.

Purga de aire del desagüe



Algunas normas de plomería locales o estatales exigen que se instale una purga de aire del desagüe entre una lavavajillas empotrada y el sistema de desagüe de la casa. Revise la purga de aire del desagüe cuando su lavavajillas no esté desaguando bien.

La purga de aire del desagüe está por lo general ubicada encima del fregadero o en la cubierta cerca de la lavavajillas. Para pedir una purga de aire del desagüe, llame al **1-800-4-MY-HOME®**. Pida la pieza número 300096.

NOTA: La purga de aire del desagüe es un dispositivo de plomería externo que no forma parte de su lavavajillas. La garantía proporcionada para su lavavajillas no cubre los costos de servicio técnico directamente asociados con la limpieza o reparación de una purga de aire del desagüe externa.

Para limpiar la purga de aire del desagüe

Limpe la purga de aire del desagüe periódicamente para asegurar un desagüe apropiado de su lavavajillas. Para la mayoría de tipos de purgas, usted tiene que levantar la tapa de cromo. Destornille la tapa de plástico. Luego revise si hay alguna acumulación de suciedad. Limpie si es necesario.

Cómo guardar

Cómo guardar para el verano

Si no se usa la lavavajillas durante los meses de verano, cierre el suministro de agua y de energía a la lavavajillas.

Cómo guardar para el invierno

Evite posibles daños de agua en su casa y en la lavavajillas debido al congelamiento de las líneas de agua. Si deja su lavavajillas en una vivienda de temporada o si pudiera estar expuesta a temperaturas casi congelantes, haga acondicionar su lavavajillas para el invierno por un personal de servicio autorizado.

SOLUCIÓN DE PROBLEMAS

VERIFIQUE ESTOS CONCEPTOS PARA AYUDARLO A AHORRAR TIEMPO Y DINERO.

PROBLEMA	SOLUCIÓN:
LA LAVAVAJILLAS NO FUNCIONA	<p>NOTA: Es normal que la lavavajillas haga pausas repetidamente durante un ciclo. Si está destellando la luz de Start/Resume (Inicio/Reanudar), presione START/RESUME y cierre la puerta en menos de 3 segundos.</p> <p>Cerciórese de que la puerta esté cerrada y asegurada.</p> <p>Asegúrese de haber seleccionado un ciclo. (Vea “Información sobre ciclos y opciones”.)</p> <p>Asegúrese de que hay suministro de energía a la lavavajillas. Es posible que se haya disparado un cortacircuitos o un fusible.</p> <p>Si están destellando otras luces que no sean las de Start/Resume (Inicio/Reanudar) y la unidad no funciona, deberá llamar para solicitar servicio técnico.</p>
QUEDA DETERGENTE EN EL DEPÓSITO O LA PASTILLA ESTÁ EN EL FONDO DE LA TINA	<p>Fíjese si hay artículos tales como charolas para galletas, tablas de cortar o recipientes grandes, etc. que pudieran impedir que el depósito de detergente se abra como es debido.</p> <p>Cerciórese de que el detergente esté fresco y sin grumos.</p> <p>Asegúrese de que se ha terminado el ciclo (la luz verde está encendida). Si no se ha terminado, deberá reanudar el ciclo presionando START/RESUME (Inicio/Reanudar) y cerrando la puerta en menos de 3 segundos.</p>
EL CICLO SE PROLONGA DEMASIADO	<p>NOTAS:</p> <ul style="list-style-type: none">■ Para usar menos agua y reducir el consumo de energía, usted verá que los ciclos en general funcionan hasta por 3 horas.■ Lo mejor es fijar el calentador de agua a 120°F (49°C), ya que la lavavajillas demorará más mientras calienta el agua que esté más fría.■ Algunas opciones aumentarán el tiempo del ciclo. (Vea la sección “Información sobre los ciclos y opciones”.) La opción de Heated Dry (Secado con calor) agregará ½ hora. <p>Pruebe con el ciclo de 1 Hour Wash (Lavado de 1 hora).</p> <p>Antes de comenzar el ciclo, haga correr agua caliente de un grifo que esté cerca de la lavavajillas.</p>
LA LAVAVAJILLAS NO SECA	<p>NOTA: Los objetos de plástico y los artículos con superficies antiadherentes son difíciles de secar, ya que tienen una superficie porosa que tiende a retener las gotas de agua. Puede ser necesario secar con repasador.</p> <p>Se necesita usar el agente de enjuague junto con la opción de Heated Dry (Secado con calor) para un secado adecuado.</p> <p>El cargar los artículos adecuadamente puede tener un efecto en el secado. (Vea las instrucciones de carga específicas dentro de este manual.)</p> <p>Los vasos y las tazas con base cóncava retienen el agua. Esta agua puede derramarse sobre otros artículos al descargarlos.</p> <ul style="list-style-type: none">■ Vacíe primero la canasta inferior.■ Ubique estos artículos en el lado más inclinado de la canasta, para obtener mejores resultados.

PROBLEMA	SOLUCIÓN:
NO SE LLENA	<p>Asegúrese de que el agua esté conectada a la lavavajillas.</p> <p>Verifique que el flotador esté libre de obstrucciones. (Vea “Piezas y características”.)</p> <p>Verifique si hay espuma en la lavavajillas. Si se detecta espuma, es posible que la lavavajillas no funcione correctamente o que no se llene de agua. (Vea “LUCES DESTELLANDO” en “Solución de problemas”.)</p>
QUEDA AGUA EN LA TINA/NO DESAGUA	<p>Asegúrese de que ha terminado el ciclo (la luz verde está encendida). Si no ha terminado, deberá reanudar el ciclo presionando START/RESUME (Inicio/Reanudar) y cerrando la puerta en menos de 3 segundos.</p> <p>Si la lavavajillas está conectada a un recipiente de desechos alimenticios, asegúrese de haber quitado el tapón del disco removible de la entrada del recipiente de desechos.</p> <p>Verifique si la manguera de desagüe está retorcida.</p> <p>Verifique si hay obstrucciones de comida en el desagüe o en el recipiente de desechos.</p> <p>Verifique el fusible o el cortacircuitos de la casa.</p>
AGUA DURA (RESIDUO BLANCO EN EL INTERIOR DE LA LAVAVAJILLAS O EN LA CRISTALERÍA)	<p>NOTA: Los residuos minerales del agua extremadamente dura pueden causar daños en su lavavajillas y hacer difícil que se obtenga una buena limpieza. Puede traer sus muestras de agua a Sears para verificar el nivel de dureza del agua de su casa. Se recomienda enérgicamente un ablandador de agua si el agua tiene una dureza de 15 granos o más. Si no se instala un ablandador de agua, pueden ayudar los pasos siguientes:</p> <p>Use un limpiador comercial diseñado para las lavavajillas, una vez por mes.</p> <p>Limpie los filtros ULTRA WASH^{®HE} por lo menos una vez por mes.</p> <p>Use siempre un agente de enjuague.</p> <p>Siempre use un detergente fresco de alta calidad.</p> <p>Use un aditivo para realzar el detergente/agente de enjuague que esté diseñado para lavavajillas.</p>
OLORES	<p>NOTA: Si la lavavajillas no se usa todos los días, puede hacer funcionar un ciclo de Quick Rinse (Enjuague rápido) con la carga parcialmente llena, hasta que tenga una carga completa, o use la opción de Top Rack Only (Sólo la canasta superior) (en algunos modelos) para cargas parcialmente llenas.</p> <p>Ponga a funcionar un enjuague con vinagre para la lavavajillas, con 2 tazas de vinagre blanco en una taza medidora de vidrio en posición vertical, en la canasta inferior. Haga funcionar un ciclo normal con la opción de Heated Dry (Enjuague con calor) apagada. No use detergente.</p> <p>Es posible que la lavavajillas no esté desaguando como es debido; vea “QUEDA AGUA EN LA TINA/NO DESAGUA” en “Solución de problemas”.</p>
RUIDOS	<p>NOTAS:</p> <ul style="list-style-type: none"> ■ Se pueden escuchar periódicamente sonidos de gorgoteo a lo largo del ciclo, mientras se desagua la lavavajillas. ■ Puede escucharse periódicamente el silbido normal de la válvula de agua. ■ Puede escucharse un sonido normal de chasquido cuando se abre el depósito de detergente durante el ciclo y cuando se abre la puerta al final del mismo. ■ La instalación incorrecta producirá efectos en los niveles de ruido. <p>Asegúrese de que estén bien instalados los filtros.</p> <p>Puede escucharse un golpeteo si los artículos se extienden más allá de las canastas e interfieren con los brazos de lavado. Vuelva a acomodar la vajilla y reanude el ciclo.</p>

PROBLEMA	SOLUCIÓN:
QUEDA SUCIEDAD DE LOS ALIMENTOS EN LOS PLATOS	<p>Asegúrese de cargar correctamente la lavavajillas. Una carga indebida puede disminuir en gran proporción el rendimiento de lavado (vea “Cómo cargar para el mejor funcionamiento”).</p> <p>Verifique el filtro para asegurarse de que está instalado correctamente. Límpielo de ser necesario. (Vea “Instrucciones de limpieza” en “Sistema de filtración ULTRA WASH®HE ” para obtener detalles.)</p> <p>Seleccione el ciclo y la opción adecuados para el tipo de suciedad. Puede usarse el ciclo de Pots Pans (Ollas, cacerolas) con la opción TURBOZONE™ para las cargas más sucias.</p> <p>Cerciórese de que la temperatura de entrada de agua sea de por lo menos 120°F (49°C).</p> <p>Use la cantidad adecuada de detergente fresco. Se necesitará más detergente para las cargas con suciedad pesada y condiciones de agua dura.</p> <p>Quite los restos de comida de los platos antes de ponerlos en la lavavajillas (no los enjuague previamente).</p>
NO HA HIGIENIZADO	<p>Si la luz de higienizado está destellando, la carga NO ha sido higienizada. Se ha interrumpido el ciclo en el enjuague final o el calentador de agua se ha fijado en una temperatura muy baja. Fije el calentador de agua en 120°F (49°C).</p>
DAÑOS EN LA VAJILLA	<p>Una carga inapropiada puede hacer que los platos se desportillen o se dañen. (Vea las instrucciones de carga específicas dentro de este manual.)</p>
LUCES DESTELLANDO	<p>Si está destellando la luz de Start/Resume (Inicio/Reanudar), presione START/RESUME y cierre la puerta en menos de 3 segundos.</p> <p>Si está destellando la luz de Clean (Limpio) o cualquier otra luz, y la lavavajillas no funciona, verifique lo siguiente:</p> <ul style="list-style-type: none"> ■ ¿Puede el flotador de protección de sobrellenado moverse hacia arriba o hacia abajo libremente? Oprima hacia abajo para liberarlo. ■ Asegúrese de que el suministro de agua esté conectado a la lavavajillas. (Esto es de suma importancia, luego de haber hecho la nueva instalación de su lavavajillas.) ■ Verifique si hay espuma en la lavavajillas. Si el sistema de sensor detecta espuma, es posible que la lavavajillas no funcione correctamente o que no se llene de agua. <p>La espuma puede ser ocasionada por lo siguiente:</p> <ul style="list-style-type: none"> ■ Uso del tipo incorrecto de detergente, como podría ser un detergente para lavar los platos a mano, detergente para ropa o jabón de tocador. ■ No volver a colocar la tapa del depósito del agente de enjuague después de llenarlo (o de volver a llenarlo). ■ Uso de cantidades excesivas de detergente para lavavajillas. <p>Solicite servicio técnico.</p>

PROBLEMA	SOLUCIÓN:
<p>VAJILLA TURBIA O CON MANCHAS (Y SOLUCIÓN DE AGUA DURA)</p>	<p>NOTAS:</p> <ul style="list-style-type: none"> ■ Es necesario un agente de enjuague líquido para secar y reducir las manchas. ■ Use la cantidad adecuada de detergente. <p>Confirme si se puede quitar la turbidez remojando el artículo en vinagre blanco durante 5 minutos. Si desaparece la turbidez, es debida a agua dura. Regule la cantidad de detergente y agente de enjuague. (Vea “AGUA DURA (RESIDUO BLANCO EN EL INTERIOR DE LA LAVAVAJILLAS O EN LA CRISTALERÍA”, en “Solución de problemas”.) Si no se aclara, es debido a la corrosión (vea a continuación).</p> <p>Cerciórese de que la temperatura de entrada de agua sea de por lo menos 120°F (49°C).</p> <p>Pruebe usar las opciones de Hi Temp (Temperatura alta) y Sani Rinse (Enjuague sanitario).</p> <p>Para quitar las manchas, haga correr un enjuague con vinagre en la lavavajillas.</p> <ul style="list-style-type: none"> ■ Lave y enjuague la vajilla que esté afectada y cárguela en la lavavajillas. Quite todos los objetos metálicos y cubiertos. Ponga 2 tazas de vinagre blanco en una taza medidora de vidrio en la canasta inferior. Haga funcionar un ciclo normal con la opción de Heated Dry (Enjuague con calor) apagada. No se necesita detergente.
<p>CORROSIÓN (TURBIDEZ PERMANENTE)</p>	<p>Esto es una erosión de la superficie de la cristalería, que puede ser causada por una combinación de lo siguiente: agua muy caliente, el uso de demasiado detergente en agua blanda o el lavado previo. El detergente necesita que la suciedad de la comida actúe en consecuencia. Si ha habido corrosión, la cristalería está permanentemente dañada. Para evitar que continúe la corrosión, modifique la cantidad de detergente de manera que coincida con la dureza del agua, deje de lavar previamente y use opciones de calentamiento de agua solamente cuando la temperatura del agua de entrada sea menor de 120°F (49°C).</p>
<p>FUGAS DE AGUA</p>	<p>Asegúrese de que la lavavajillas esté instalada correctamente y de que esté nivelada. La espuma puede hacer que se desborde la lavavajillas. Mida el detergente con cuidado y use solamente detergentes diseñados para ser usados en una lavavajillas. Se necesita menos detergente en agua blanda. Si continúa el exceso de espuma, pruebe otra marca de detergente.</p> <p>Para evitar que se salga agente de enjuague del depósito, cerciórese de que la tapa esté sujeta con seguridad, y evite el sobrellenado.</p>
<p>SE HA DECOLORADO LA TINA</p>	<p>NOTAS:</p> <ul style="list-style-type: none"> ■ El alto contenido de hierro en el agua puede decolorar la tina. ■ Los alimentos a base de tomate pueden decolorar la tina o la vajilla. <p>Puede usarse un limpiador a base de cítricos para limpiarla.</p>

Get it fixed, at your home or ours!

Your Home

For repair – **in your home** – of **all** major brand appliances, lawn and garden equipment, or heating and cooling systems, **no matter who made it, no matter who sold it!**

For the replacement parts, accessories and owner's manuals that you need to do-it-yourself.

For Sears professional installation of home appliances and items like garage door openers and water heaters.

1-800-4-MY-HOME® (1-800-469-4663)

Call anytime, day or night (U.S.A. and Canada)

www.sears.com www.sears.ca

For expert home solutions advice: www.managemyhome.com

Our Home

For repair of carry-in items like vacuums, lawn equipment, and electronics, call or go on-line for the location of your nearest

Sears Parts & Repair Service Center

1-800-488-1222 (U.S.A.) 1-800-469-4663 (Canada)

Call anytime, day or night

www.sears.com www.sears.ca

To purchase a protection agreement on a product serviced by Sears:

1-800-827-6655 (U.S.A.)

1-800-361-6665 (Canada)

Para pedir servicio de reparación a domicilio, y para ordenar piezas:

1-888-SU-HOGAR®

(1-888-784-6427)

Au Canada pour service en français:

1-800-LE-FOYER^{MC}

(1-800-533-6937)

www.sears.ca

