

BANDPASS SUBWOOFER THINLINE (AS)

BPS6 TL QUICKSTART GUIDE FOR USE WITH ARCHITECTURAL SERIES BANDPASS CONNECTORS



Box Contents

- (1) Quickstart Guide
- (1) Bandpass Subwoofer with port tube
- (1) Cardboard mounting template

MOUNTING SCREWS & WASHERS:

- (4) 5/16" x 3" lag screws
- (4) 5/16" washers

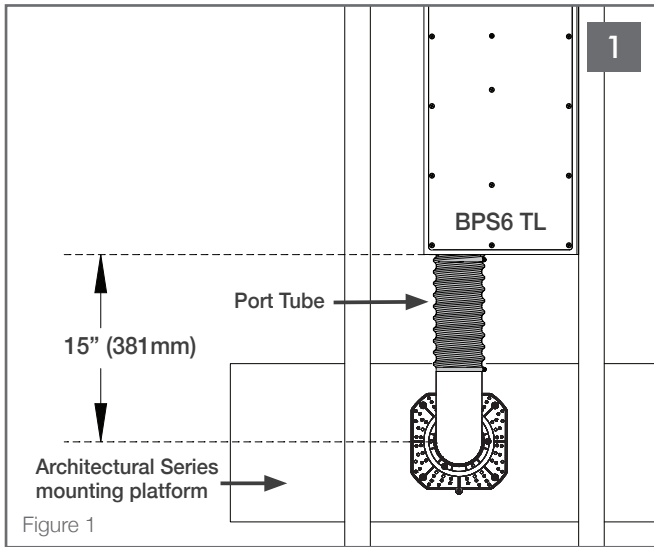


Figure 1

Determine the location of the mounting platform and subwoofer. Ensure there is adequate space to accommodate the subwoofer and port tube within the 2 x 4 stud bay or joist, allowing 15" from the front edge of the BPS6 TL to the center of connector. (See Figure 1).

NOTE: IF IT IS NOT POSSIBLE TO LOCATE THE BPS6 TL SUBWOOFER 15" AWAY FROM THE 90 DEGREE CONNECTOR OF THE MOUNTING PLATFORM, EXTRA HOSE MATERIAL (UP TO 3") MAY BE REMOVED. WHILE IT IS OKAY TO SHORTEN THE HOSE, NEVER EXTEND THE HOSE LENGTH.

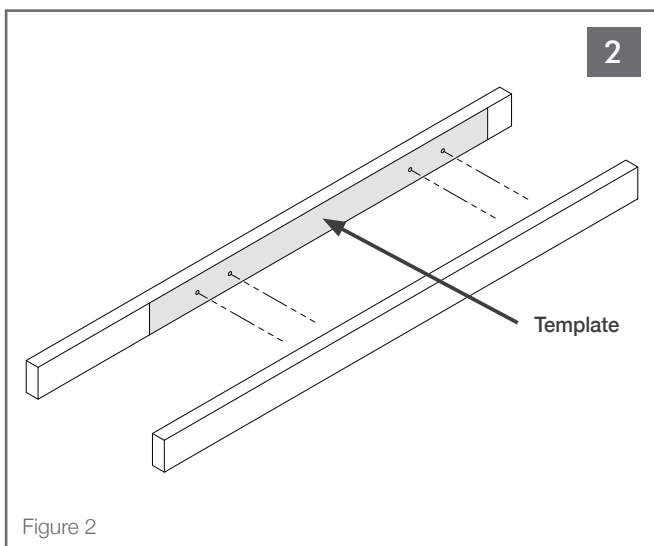


Figure 2

Place the subwoofer mounting template on the side of a 2 x 4 stud or joist and drill four 1/4" (6mm) holes through the stud at the locations shown on the mounting template. (See Figure 2).

NOTE: DRILLING FROM THE INSIDE OF THE STUD BAY IS RECOMMENDED TO ENSURE THAT THE HOLE LOCATIONS MATCH THE SUBWOOFER SCREW LOCATIONS. (SEE FIGURE 2)

NOTE: BE SURE THAT THE SUBWOOFER TEMPLATE IS FLUSH WITH THE EDGE OF THE STUD OR SLIGHTLY RECESSED.

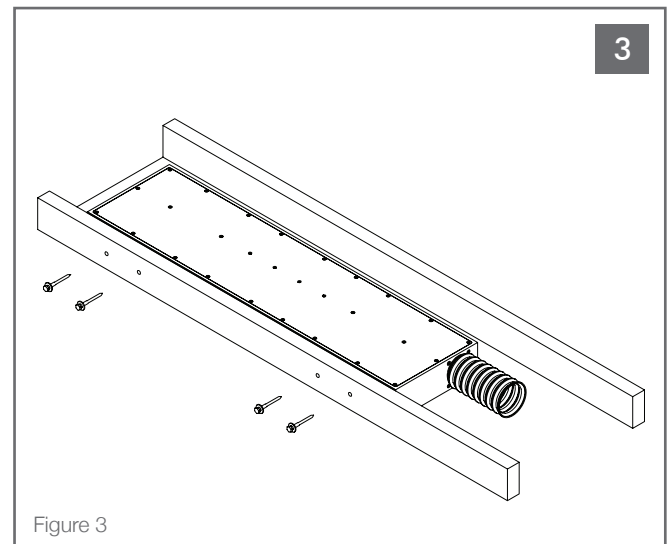


Figure 3

Hold the side of the BPS6 TL Subwoofer with the rubber damping pad up against the side of the stud or joist and install the four lag screws and washers to secure the BPS6 TL Subwoofer in place. (See Figure 3).

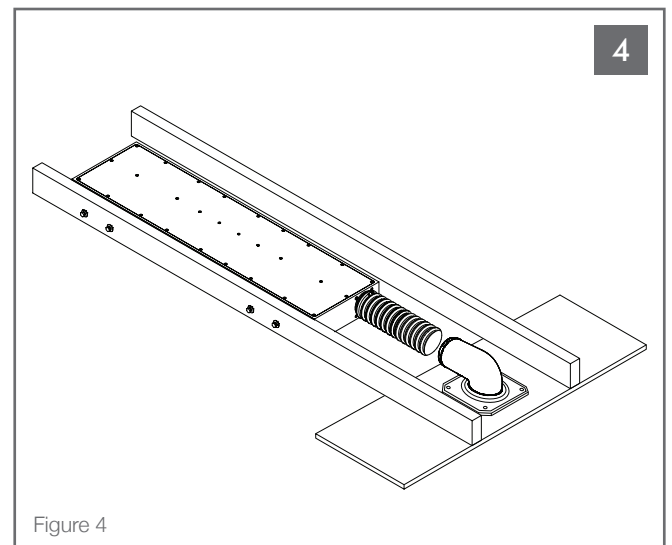


Figure 4

Prepare to attach the mounting platform to the stud or joist. Position the platform with the 90 degree connector pointed in the direction of the BPS6 TL port tube. (See Figure 4).

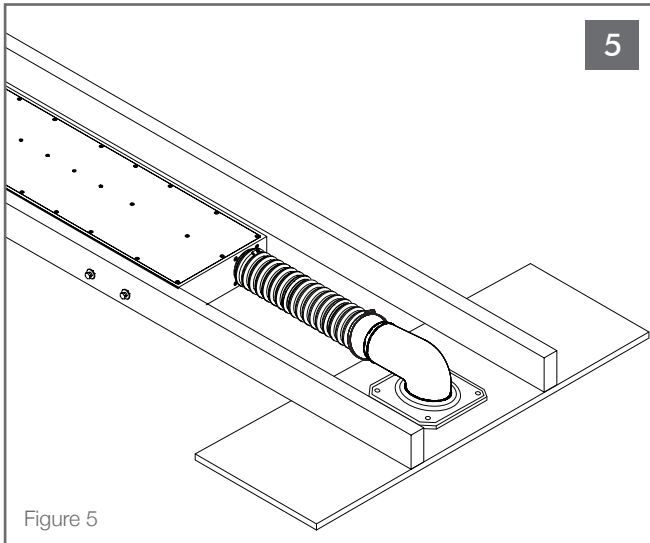


Figure 5

The BPS6 TL ships with a foam plug and tether inserted into the end of the port tube; **remove and discard**. Guide the port tube onto the 90 degree connector so the tube is positioned snugly in place. Tighten the clamp ring to secure the port tube. (See Figure 5).

Attach the mounting platform to the stud or joist. For mounting platform installation details visit www.sonance.com/in-wall-in-ceiling/architectural-series/bps6-tl.

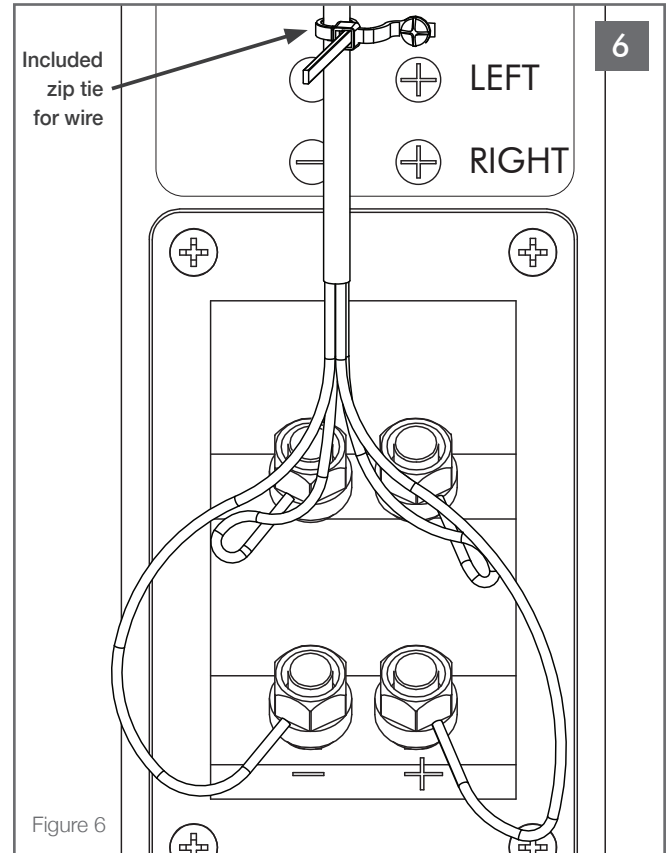


Figure 6

Attach the **four conductor speaker wire** to the input terminals; positive wires to red terminals and negative wires to black terminals. Run a signal test using an amplified program material for at least 60 seconds. Secure the speaker wire to the zip tie attached to the subwoofer cabinet to prevent accidental removal. (See Figure 6).

For more eManuals and diagrams visit
www.sonance.com/in-wall-in-ceiling/bps6-tl