

BLAZE
BY SONANCE

C12S

Subwoofer

Installation Manual

C12S BLK/C12S WHT

Ci series

Table of contents

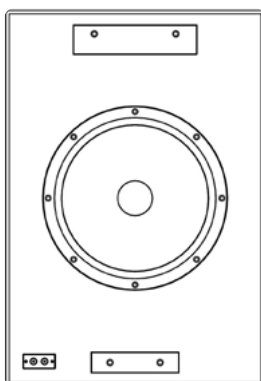
| | |
|-----------------------|----------|
| Introduction | 3 |
| Installation | 4 |
| Cables | 6 |
| Specifications | 7 |

Introduction

The C12S is a shallow subwoofer designed for applications requiring strong output in a discreet form factor. Designed for medium SPL applications, the MDF cabinet features an advanced 12" woofer with a very efficient motor design and a carbon fibre reinforced cone. The 75 mm voice coil employs a high strength fibreglass former with windings both on the outer and inner surface of the coil. The result is a balanced voice coil with uniform drive and very low distortion.

Cooling channels in the chassis ensure low power compression and excellent dynamics. The cabinet can hang on the wall or stand on the floor, with the subwoofer being protected from the surroundings. Cables are connected to the screw terminal allowing for up to 4 sq. mm cable thickness which can be recessed from the loudspeakers backside into the front of the cabinet.

C12S is available in black and white and is a powerful yet discreet subwoofer for commercial installation, and can be used together with the Ci and CBL loudspeaker series by Blaze Audio.



Included in the box:

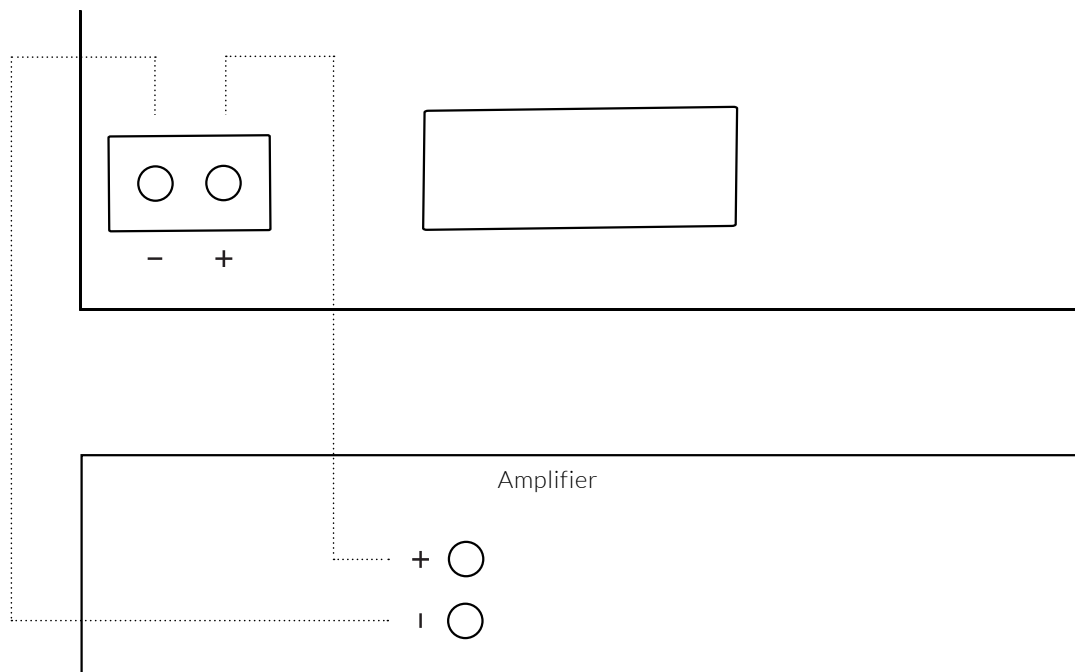
- Subwoofer
- Wall bracket
- Safety letter

Installation

Ensure the amplifier is powered off before mounting the subwoofer, and make sure the workspace is secure while working.

Connecting the speaker cable.

Connect the speaker cable to the terminal in the left bottom side on the rear of the cabinet. Connect red + from the amplifier output to the red terminal on the subwoofer and black - from the amplifier output to the black input terminal on the C12S.



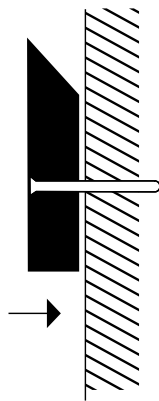
Note: when connecting, polarity shall NOT be reversed, as the reflected sound from the wall will be in phase with the top-boxes.

Positioning the cabinet.

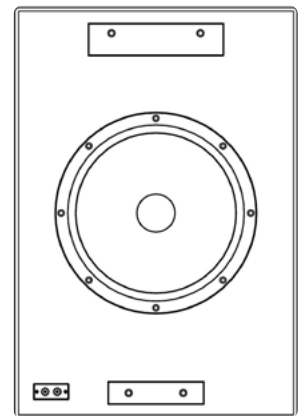
The C12S is designed to be mounted on the wall with the woofers facing inward and the bottom of the loudspeaker no more than 15 cm above the floor. Alternatively, it can be positioned standing with the woofers facing downward. Be sure to install the C12S in a location that is inaccessible to small children.

For installation on wall:

- ① Mount the included wall bracket to the wall using 5 mm screws. It is strongly recommended to use the appropriate wall anchors for the specific wall type.



- ② After the speaker cables are mounted to the terminals, hang the C12S in the bracket.



Speaker presets.

Recommended loudspeaker presets are available at blaze-audio.com/support and are designed for use with Blaze Audio's PowerZone™ Connect DSP-enabled amplifier series.

Recommended amplifier.

The C12S Subwoofer has a high minimum impedance, making them an easy load for amplifiers. We recommend using Blaze Audio's PowerZone™ Connect DSP-enabled amplifiers with power ratings that exceed the subwoofers' power handling capacity (see specifications). As with all loudspeaker systems, power handling depends on the quality and size of the amplifier. If the amplifier is overdriven and runs into clipping, the drivers can be damaged, even if the amplifier's output is lower than the speaker's power handling capacity. When selecting an amplifier, keep in mind that a higher power amplifier operating without distortion will typically sound better and cause less damage to the loudspeaker than a lower power amplifier that is constantly clipping.

Cables

Speaker cables present the amplifier with different loads. Cables with high capacitance, high inductance and high impedance have a strong negative influence on sound quality as well as amplifier reliability. In order to get the most out of the speaker system, avoid using thin speaker cables.

As a rule of thumb, 2 mm² (14 AWG) cable can be used for lengths up to 20 meters. 4 mm² (11 AWG) cable should be used for lengths over 20 meters. For lengths over 50 meters, most amplifiers will become unstable and sound quality is reduced significantly.

To minimize power loss and response variations, please refer to the following table for guidance, showing the maximum recommended cable length relative to impedance and cable thickness:

| Cable size/load | 8 Ω | 4 Ω | 2 Ω |
|------------------------|-----------------------|-----------------------|----------------------|
| 2 sq mm. | 20 m / 65 ft. | 10 m / 32 ft. | 5 m / 16 ft. |
| 2,5 sq mm. | 30 m / 100 ft. | 15 m / 50 ft. | 7,5 m / 25ft. |
| 4 sq mm. | 60 m / 200 ft. | 30 m / 100 ft. | 15 m / 50 ft. |

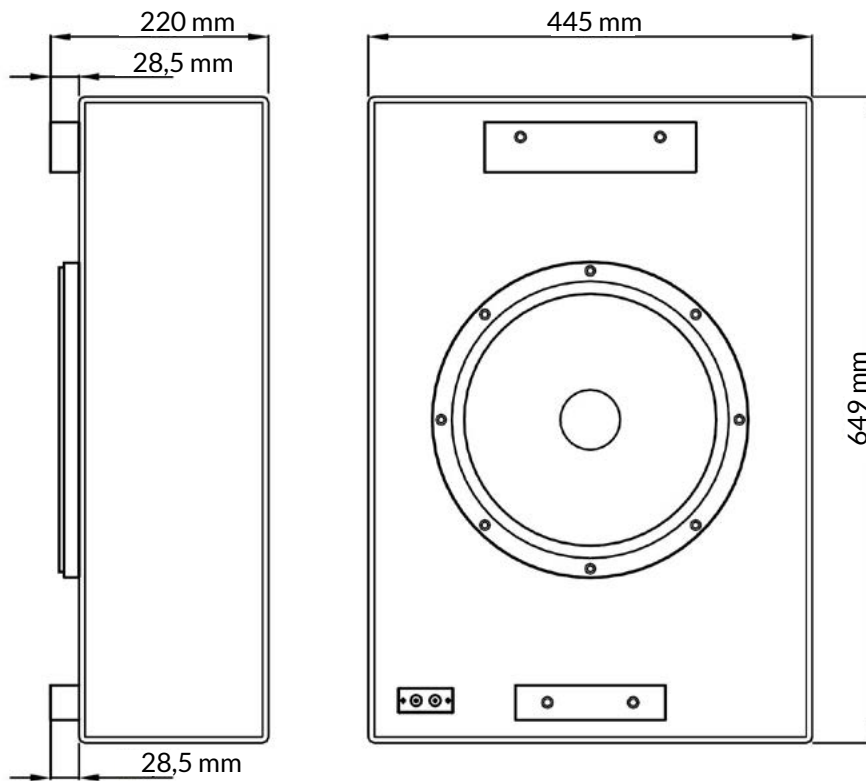
Warranty.

For warranty information, please refer to your local Blaze Audio distributor or dealer, or contact us directly.

Service.

Spare parts for your Blaze Audio speakers are available through your local Blaze Audio distributor or dealer. Please contact us directly, in case you are not able to source spare parts locally.

Specifications



| | |
|-------------------------------|---|
| Sensitivity SPL / 1W @ 1m: | 95 dB |
| Maximum SPL, Long Term: | 120 dB |
| Maximum SPL, Peak: | 126 dB |
| Frequency response: | 45-600 Hz |
| Nominal impedance: | 8 Ω |
| Ingress Protection: | Indoor use only |
| Recommended amplifier: | 300-600 W into 8 Ω |
| Measurements with wall mount: | 649 x 445 x 220 mm (25.55 x 17.58 x 8.66 in) |
| Weight: | 23 kg (50.71 lb) |
| Colour: | Matt White (RAL9016) Matt Black (RAL790-5) |