

**newair**<sup>®</sup>

**SKU:** NIM033SS00

NIM033BK00

NIM033WH00

# Portable Countertop Ice Maker



## OWNER'S MANUAL

*Read and save these instructions.*



**Intertek**

Manual v1.3

---

# READ AND SAVE THESE INSTRUCTIONS.

---

## TABLE OF CONTENTS

Register Your Product Online.....	3
Safety Information & Warnings .....	4
Getting To Know Your Ice Maker .....	7
Operating Procedures.....	8
Cleaning & Maintenance.....	10
Electrical Schematic Diagram.....	10
Troubleshooting.....	10
Limited Manufacturer's Warranty .....	11

## SPECIFICATIONS

<b>MODEL No.</b>	NIM033WH00/NIM033BK00/NIM033SS00
<b>VOLTAGE:</b>	110-120V
<b>CURRENT:</b>	1.75A
<b>FREQUENCY:</b>	50-60Hz
<b>REFRIGERANT:</b>	R600a/1.23 oz
<b>NET WEIGHT:</b>	18.7 lbs
<b>DIMENSIONS:</b>	14.10"D x 9.60"W x 11.70"H
<b>CERTIFICATIONS:</b>	ETL

## REGISTER YOUR PRODUCT ONLINE

### Register Your NewAir Product Online Today!

Take advantage of all the benefits product registration has to offer:



#### Service and Support

Diagnose troubleshooting and service issues faster and more accurately



#### Recall Notifications

Stay up-to-date on safety, system updates, and recall notifications



#### Special Promotions

Opt-in for NewAir promotions and offers

Registering your product information online is safe & secure and takes less than 2 minutes to complete:

[newair.com/register](https://newair.com/register)

Alternatively, we recommend you attach a copy of your sales receipt below and record the following information, located on the manufacturer's nameplate on the rear of the unit. You will need this information if it becomes necessary to contact the manufacturer for service inquiries.

**Date of Purchase:** \_\_\_\_\_

**Serial Number:** \_\_\_\_\_

**Model Number:** \_\_\_\_\_

## SAFETY INFORMATION & WARNINGS

Please read the following instructions carefully before using this ice maker and keep this user manual for future reference. Safety precautions must be followed in order to prevent any hazards. Failure to obey the safety precautions may result in bodily harm and void of the manufacturer's warranty.



WHEN USING ELECTRICAL APPLIANCES, BASIC SAFETY PRECAUTIONS SHOULD BE FOLLOWED TO REDUCE THE RISK OF FIRE, ELECTRIC SHOCK, AND HARM TO THE USER AND/OR PROPERTY.

This appliance is not intended for use by people (including children) with reduced physical, sensory or mental capabilities, lack of experience or knowledge of its operation, unless well instructed or under supervision of a person responsible for their safety with clear understanding of the hazards involved. Same applies to cleaning and maintenance of appliance. This product is NOT a toy.

- Do not place hands or objects on or near the ice maker's evaporator when it is in operation.
- Do not operate the appliance if the cord is damaged. If the supply cord is damaged, it must be replaced by the manufacturer in order to avoid hazard.
- Connect ice maker to proper outlets only. There should be no other appliance plugged into the same outlet. Be sure that the plug is fully inserted into the outlet.
- Do not run the cord over carpeting or other heat insulators. Do not cover the cord. Keep cord away from traffic areas and do not submerge in water.
- Unplug ice maker before cleaning or making repairs.
- Close supervision is required if appliance is being used near children or pets.
- Do not clean your ice maker with flammable or corrosive fluids, fumes can create a fire hazard or explosion.
- Do not tip over.
- If unit is stored in a very cold environment, allow it to warm to room temperature before use.
- Only fill the appliance with water that is safe to drink.

- Do not place anything in the interior when not in use. The appliance is not designed to store other items.
- Appliance is intended to be used in household and similar applications, such as staff kitchen areas in shops, offices, and other working environments; farm houses and by clients in hotels, motels, and other residential type environments; bed and breakfast type environments; catering and similar non-retail applications.
- To use this product, place it on a flat surface.
- After unpack the ice maker, DO NOT turn on the Ice Maker. Wait 24 hours to stabilize the refrigerant inside the ice maker before first time use.
- Please make sure that the rear drain is firmly plugged before adding water to the water tank.
- The ice cubes produced will be relatively small at first. Do not be concerned as this is not a defect. The unit will take a few cycles to produce the intended size.
- Do not use near heat or excessive dust.
- Do not immerse machine in water, use it in bathrooms or places where it may be splashed with water.
- Do not dismantle or modify machine.
- If a problem occurs, stop using the machine immediately.
- Avoid touching any parts involved in ice making, and leave the lid closed while running ice production cycle.
- To unplug appliance do so by holding the head of the plug. Never pull by the cord.
- Periodically clean any accumulated dust off the plug head.
- Do not plug in the unit's power cord if hands are wet.
- Disconnect the power supply and drain out the remaining water from the rear drain if ice maker will not be used for an extended period.
- We suggest using an ice maker cleaning agent or citric acid to clean appliance before first use to avoid resulting ice from having dirt and/or odor due to machine components being manipulated during assembly. If not cleaned before use resulting ice may have dirt and/or odor that will disappear after several cycles. DO NOT consume any ice with dirt and/or an odor. This is not a defect.
- Do not alter cooling circuit (piping).

- Do not tamper with the power cord or power plug.
- Do not use damaged power plugs or loose sockets.
- If the supplied power cord is damaged, please contact customer service. Allow damaged supply cords to be replaced by the manufacturer, service agent or a similarly qualified person to avoid hazard to yourself.

## GETTING TO KNOW YOUR ICE MAKER



1. **Ice Basket and Scoop:** used for storing and serving the ice.
2. **Windowed Cover:** allows you to check how much ice has been produced without having to open the top and let in warm air.
3. **Air Vents:** Located on the back and sides of the unit, these vents help prevent the unit from overheating. Please leave at least six inches of space all around the unit for proper ventilation.
4. **Water Drain:** allows you to empty the water from the tank easily.
5. **Max Fill Line:** Inside the water tank below the ice tray is a line marking labeled "MAX." Do not fill the water tank above this line.
6. **Controls/Indicator Lights:**
  - **ON/OFF:** Turn the unit on and off. While on, the unit will continuously produce ice, as long as there is water in the tank and the ice tray is not full.

- **SELECT:** Select the size of the ice. Small ice takes roughly 6 minutes for a batch to complete, and large ice takes roughly 8 minutes for a batch to complete.
- **ICE FULL:** There is an infrared sensor that helps detect when the ice tray is full. When the tray is full, ice production will stop and the “Ice Full” indicator will light up.
- **ADD WATER:** When the “Add Water” indicator lights up, the unit will need more water poured into the water tray below the ice basket.

## OPERATING PROCEDURES

### UNPACKING YOUR ICE MAKER

1. Remove all exterior and interior packaging. Make sure that the ice basket and ice scoop are included. If any part or accessory is missing, please contact customer service.
2. Clean the interior with lukewarm water and a soft cloth. Remove the ice basket and wash it in warm water.
3. While the unit is still not plugged in, clean the evaporator rods using a water/vinegar solution.
4. Find a location for your ice maker that is protected from direct sunlight and allows for six inches of space between the back and sides of the ice maker and the wall.

### CONNECTING YOUR ICE MAKER



**Improper use of the grounded plug can result in the risk of electrical shock. If the power cord is damaged, please do not attempt to use the unit. Contact customer service, and we will help you take care of the issue.**

1. This unit should be properly grounded for your safety.
2. Plug the appliance directly into an appropriate 120V AC outlet that is properly installed and grounded in accordance with all local codes and ordinances.

---

## USING YOUR ICE MAKER

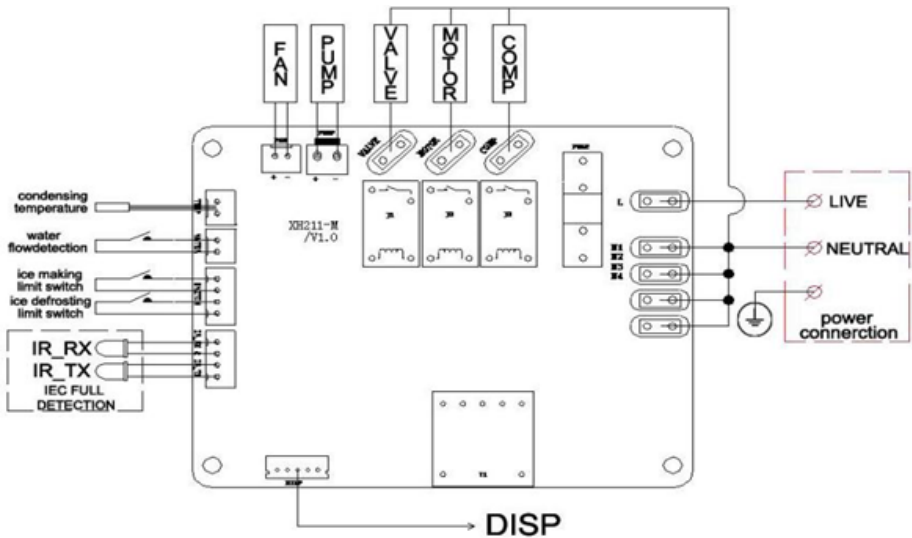
1. Press the “ON/OFF” button after plugging in the ice maker and it will begin to run.
2. Open the cover, remove the ice basket, and pour water into the tank. Make sure it does not surpass the maximum water level. Place the ice basket back into the unit and close the lid.
3. While the ice maker is on, check the water level periodically. If the water pump cannot inject water, the ice maker will stop automatically, and the “ADD WATER” indicator will light up. Press the “ON/OFF” button to turn off the unit, fill water up to the “MAX” line, and press the “ON/OFF” button again to resume ice production.
4. The ice maker automatically stops working when the ice basket is full. The “ICE FULL” indicator will light up once it’s full. To restart ice production, remove the ice from the tray and press “ON/OFF” again.
5. Change the water in the tank every 24 hours to ensure a reasonable hygiene level. If the unit is not in use for a few days, drain all the water in the tank reservoir and refill before operating again.

## CLEANING & MAINTENANCE

Before using your ice maker, it is strongly recommended that you clean it thoroughly.

1. Remove the ice basket.
2. Turn the drain cap to drain out any water left in the tank.
3. Clean the interior with diluted detergent, warm water, and a soft cloth.
4. The outside of the ice maker should be cleaned regularly with a diluted detergent and warm water.
5. Dry the interior and exterior with a soft cloth.
6. Close the drain cap.

## ELECTRICAL SCHEMATIC DIAGRAM



## TROUBLESHOOTING

Problem	Possible Causes	Solution
<b>“ADD WATER” indicator is on.</b>	Water level is low.	Press “ON/OFF,” fill the water tank, and press “ON/OFF” again.
<b>“ICE FULL” indicator is on.</b>	The ice basket is full.	Remove ice from the basket.
	The ice sensor is broken.	Press “ON/OFF” to see if ice production restarts. If not, contact customer service.
	The ice scoop is stuck.	Check if ice is blocking the ice scoop and remove the ice.
<b>Ice cubes stick together.</b>	The ice making cycle is too long.	Stop the ice maker and restart when the current ice blocks melt and fall off. Turn the unit back on.
	Part of the evaporator rods in the ice box are too large.	Change the water in the reservoir.
	The water temperature in the inner tank is too low.	Use colder water to fill the tank.
<b>Ice is full but the light is off.</b>	The location of the ice maker’s light is too strong, and it effects the infrared detection.	Move the ice maker near a darker location.
<b>Ice making cycle is normal but there is no ice.</b>	Ambient temperature or water temperature is too high.	Try to keep the ice maker out of heat near 90 degrees, and fill the tank with cold water.
	Refrigerant liquid leakage.	Contact customer service.
	The pipe in the cooling system is blocked.	Contact customer service.

**NOTE:** Certain noises are normal when operating this ice maker: a clicking sound when the machine is turned on or off, a bubbling, gurgling, or knocking sound when refrigerant is circulating through the pipes, or a loud clink sound when ice cubes are dropped into the basket.

## LIMITED MANUFACTURER'S WARRANTY

This appliance is covered by a limited manufacturer's warranty. For one year from the original date of purchase, the manufacturer will repair or replace any parts of this appliance that prove to be defective in materials and workmanship, provided the appliance has been used under normal operating conditions as intended by the manufacturer.

### **Warranty Terms:**

During the first year, any components of this appliance found to be defective due to materials or workmanship will be repaired or replaced, at the manufacturer's discretion, at no charge to the original purchaser. The purchaser will be responsible for any removal or transportation costs.

### **Warranty Exclusions:**

The warranty will not apply if damage is caused by any of the following:

- Power failure
- Damage in transit or when moving the appliance
- Improper power supply such as low voltage, defective household wiring or inadequate fuses
- Accident, alteration, misuse or abuse of the appliance such as using non-approved accessories, inadequate air circulation in the room or abnormal operating conditions (extreme temperatures)
- Use in commercial or industrial applications
- Fire, water damage, theft, war, riot, hostility or acts of God such as hurricanes, floods, etc.
- Use of force or damage caused by external influences
- Partially or completely dismantled appliances
- Excess wear and tear by the user

### **Obtaining Service:**

When making a warranty claim, please have the original bill of purchase with purchase date available. Once confirmed that your appliance is eligible for warranty service, all repairs will be performed by a NewAir™ authorized repair facility. The purchaser will be responsible for any removal or transportation costs. Replacement parts and/or units will be new, remanufactured or refurbished and is subject to the manufacturer's discretion. For technical support and warranty service, please email [support@newair.com](mailto:support@newair.com)