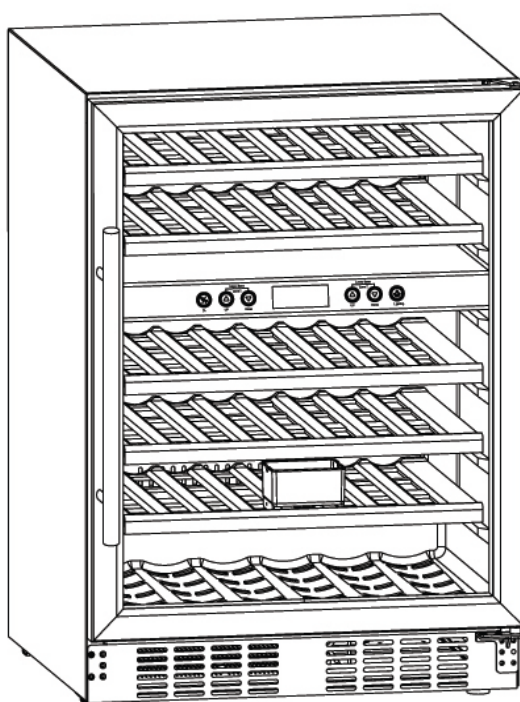




2-Zone Glass Door Wine Cellar

Model SWC546LBI



Instruction Manual

*Please read carefully and follow all safety rules
and operating instructions.*

Write Serial Number (on back of unit) here:

Felix Storch, Inc.
Summit Appliance Division
770 Garrison Avenue
Bronx, New York 10474
www.summitappliance.com

Table of Contents

Important Safeguards	2 - 3
Location of Parts	3
Technical Data	4
Installation Instructions	4
Operating Your Wine Cellar	4 - 5
Care and Maintenance	6
Electrical Circuit Diagram	6
Troubleshooting	7
Limited Warranty	8

IMPORTANT SAFEGUARDS

⚡ WARNING ⚡

To reduce the risk of fire, electrical shock, or injury when using your appliance, follows these basic precautions:

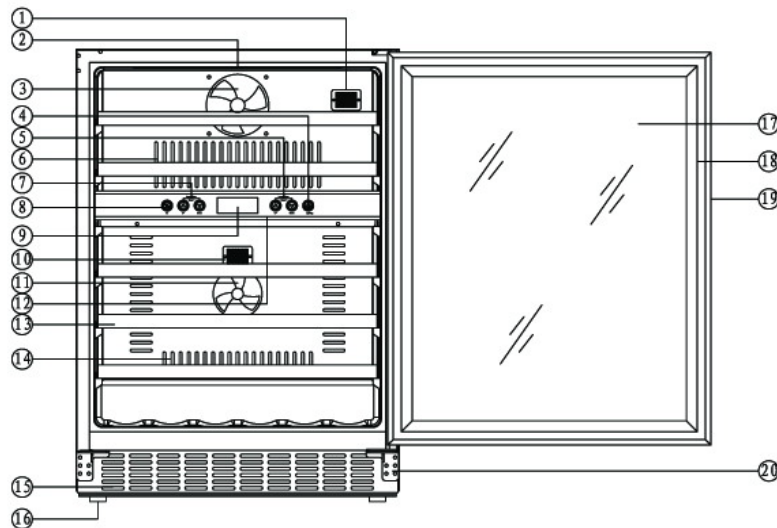
- **PLEASE READ** all instructions before installing, operating, or servicing the appliance.
- **Danger and Warning:** Failure to follow these safety statements can result in severe personal injury or death, as well as property or equipment damage.
- ***DANGER! Risk of Child Entrapment:***
Before you throw away your old refrigerator or freezer, take off the doors and leave shelves in place so children may not easily climb inside.
- **⚠ SHOCK HAZARD** - Electrical Grounding required.
- Never attempt to repair or perform maintenance on the unit until the electricity has been disconnected.
- Never remove the round grounding prong from the plug and never use a two-prong grounding adaptor.
- Altering or cutting of power cord, removal of power cord, removal of power plug, or direct wiring can cause serious injury, fire and loss of property and/or life, and will void the warranty.
- Never use an extension cord to connect power to the unit.
- Always keep your working area dry.

Important Precautions:

- Do not lift unit by door handle.
- Never install or operate the unit behind closed doors.
- Be sure front grille is free of obstruction. Obstructing free airflow can cause the unit to malfunction and will void the warranty.
- Failure to clean the condenser every six months can cause the unit to malfunction.
- Allow unit temperature to stabilize for 24 hour before use.
- Do not block any internal fans.
- Use only genuine supplier's replacement parts. Imitation parts can damage the unit, affect its operation or performance and may void the warranty.

– SAVE THESE INSTRUCTIONS –

Location of Parts



1. Upper zone temp sensor	8. °C/°F Temperature switch	15. Front grille
2. Upper zone light	9. Display screen	16. Foot
3. Upper zone fan	10. Lower zone temp sensor	17. Glass door
4. Light switch	11. Lower zone fan	18. Door seal
5. Lower zone temperature	12. Lower zone light	19. Handle
6. Exhaust vents	13. Shelf	20. Lower hinge
7. Upper zone temperature	14. Exhaust vents	

Technical Data

Model Number	SWC546LBI
Capacity	5.3 ft ³
Voltage	110 ~ 120V
Current	1.0A
Frequency	60Hz
Protection class	I
Climate class	T/ST/N/SN
Input power	140W
Temperature Control Range	Upper Zone: 40 - 50°F (5 - 10°C) Lower Zone: 50 - 64°F (10 - 18°C)
Net weight	105.6 lbs
Gross weight	114.4 lbs
Unit size (W × D × H)	23.7" × 22.6" × 33.6"
Packing size (W × D × H)	26.2" × 24.9" × 37.3"

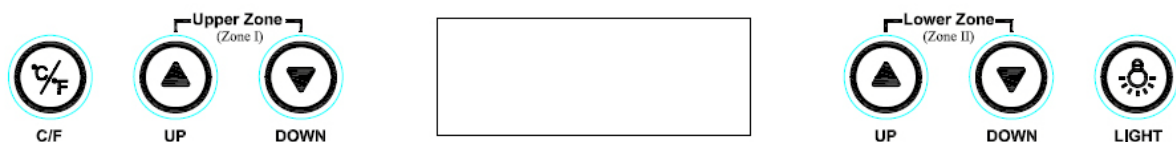
Installation Instructions

Before using your wine cellar:

- Remove the exterior and interior packing.
- This appliance can either stand alone or be built in. Front grille must be unobstructed.
- Before connecting the appliance to the power source, let it stand upright for approximately 2 hours. This will reduce the possibility of a malfunction in the cooling system from handling during transportation.
- Clean the interior surfaces with lukewarm water using a soft cloth.
- Place your appliance on a floor that is strong enough to support the appliance when it is fully loaded.
- To level your appliance, adjust the front legs at the bottom of the appliance.

Operating Your Wine Cellar

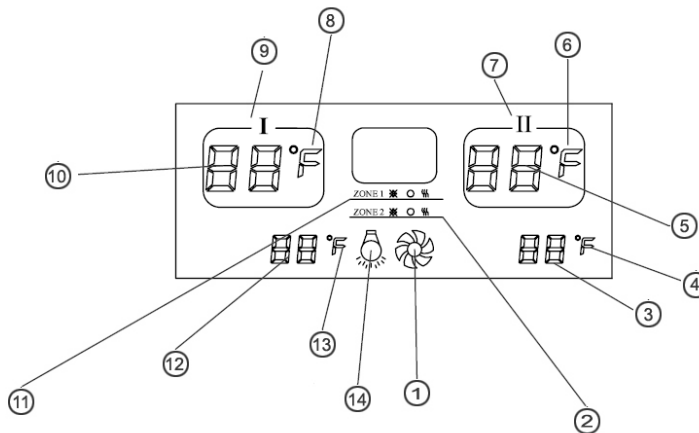
The Control Panel:



- To set the upper zone temperature, press the UP and DOWN buttons on the left side below the words *Upper Zone (Zone I)*. Each press will adjust the temperature setting by 1°C between 5 and 10°C, or 1°F between 40 and 50°F.
- To set the lower zone temperature, press the UP and DOWN buttons on the right side below the words *Lower Zone (Zone II)*. Each press will adjust the temperature setting by 1°C between 10 and 18°C, or 1°F between 50 and 64°F.
- To turn the internal LED lighting on or off, press the LIGHT button on the right side.
- To switch the temperature display from Celsius degrees to Fahrenheit degrees or vice versa, press the °C/°F button.

The Display Screen:

On the display screen in the middle of the control panel, you can read the following information and adjust the temperature setting as required:



1. Indicates the working status of the entire unit
2. Indicates the working status of the lower zone:
 - ※: Cooling
 - : Maintaining the current temperature
 - ☰: Heating
3. Shows set temperature of the lower zone
4. Celsius or Fahrenheit degrees
5. Actual temperature of the lower zone
6. Celsius or Fahrenheit degrees
7. Lower Zone
8. Celsius or Fahrenheit degrees
9. Upper Zone
10. Actual temperature of the upper zone
11. Indicates the working status of the upper zone:
 - ※: Cooling
 - : Maintaining the current temperature
 - ☰: Heating
12. Shows set temperature of the upper zone
13. Celsius or Fahrenheit degrees
14. Indicates status of the internal light (on/off)

Care and Maintenance

Cleaning your wine cellar

- Unplug the wine cellar and remove the bottles.
- Wash the inside with a solution of warm water and baking soda. The solution should consist of about 2 tablespoons of baking soda to a quart of water.
- The outside of the wine cooler should be cleaned with mild detergent and warm water.
- Take out the water box at the bottom and wash.

Moving your wine cellar

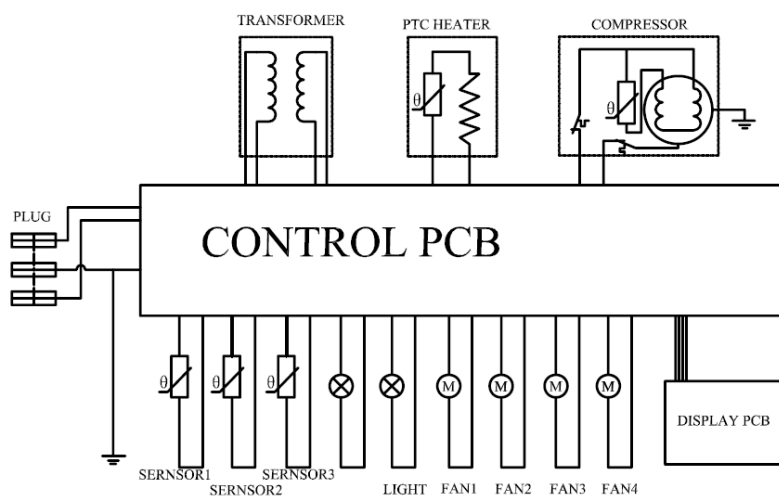
- Remove all the bottles.
- Securely tape down all loose items inside the wine cellar.
- Turn the leveling legs up to the base to avoid damage.
- Tape the door shut.
- Be sure the wine cellar stays in the upright position during transportation.

Reversing the door swing

As you received your wine cellar, the door swings open at the left. If you wish to reverse the swing so that the door opens from the right, it is most important to have at least one other person to help.

It is very dangerous to try to reverse the door swing by yourself. Now, unscrew the upper door hinge while the second person supports the door. Remove the upper hinge and carefully lift the door off the bottom hinge. Unscrew the bottom hinge and install it on the left side of the unit. Flip the door around so that the handle is on the right side and slip the door over the bottom hinge. Reattach the door by screwing the top hinge into the holes provided on the upper left surface of the unit. Make adjustments as necessary to be sure the door is aligned properly.

Electrical Circuit Diagram



Troubleshooting

You can solve many common wine cellar problems easily, saving you the cost of a possible service call. Try the suggestions below to see if you can solve the problem before calling the service center.

PROBLEM	POSSIBLE CAUSE
Wine cellar does not operate.	Not plugged in or using wrong voltage. The circuit breaker has tripped or a fuse has blown.
Wine cellar is not cold enough.	Check the temperature control settings. External environment may require a higher setting. The door is opened too often. The door is not closed completely. The door seal does not seal properly. The front grille is obstructed.
The light does not work.	Ask the service center.
Vibrations	Check to be sure the wine cellar is level.
The wine cellar seems to make too much noise	The wine cellar is not level. Check the fan.
The door will not close properly.	The wine cellar is not level. The door was reversed and not properly re-installed. The seal has a leak. The shelves are out of position.
LED display is not working.	Main control board is defective. PCB problem There is a problem with the electrical plug.
LED display error	Temperature set point is out of range.
Buttons are not functional.	Temperature controller panel is damaged.

Limited Warranty

ONE-YEAR LIMITED WARRANTY

Within the 48 contiguous United States, for one year from the date of purchase, when this appliance is operated and maintained according to instructions attached to or furnished with the product, warrantor will pay for factory-specified parts and repair labor to correct defects in materials or workmanship. Service must be provided by a designated service company. Outside the 48 states, all parts are warranted for one year from manufacturing defects. Plastic parts, shelves and cabinets are warranted to be manufactured to commercially acceptable standards, and are not covered from damage during handling or breakage.

5-YEAR COMPRESSOR WARRANTY

1. The compressor is covered for 5 years.
2. Replacement does not include labor.

ITEMS WARRANTOR WILL NOT PAY FOR:

1. Service calls to correct the installation of your appliance, to instruct you how to use your appliance, to replace or repair fuses or to correct wiring or plumbing.
2. Service calls to repair or replace appliance light bulbs or broken shelves. Consumable parts (such as filters) are excluded from warranty coverage.
3. Damage resulting from accident, alteration, misuse, abuse, fire, flood, acts of God, improper installation, installation not in accordance with electrical or plumbing codes, or use of products not approved by warrantor.
4. Replacement parts or repair labor costs for units operated outside the United States.
5. Repairs to parts or systems resulting from unauthorized modifications made to the appliance.
6. Expenses for travel and transportation for product service in remote locations.
7. The removal and reinstallation of your appliance if it is installed in an inaccessible location or is not installed in accordance with published installation instructions.

DISCLAIMER OF IMPLIED WARRANTIES - LIMITATION OF REMEDIES

CUSTOMER'S SOLE AND EXCLUSIVE REMEDY UNDER THIS LIMITED WARRANTY SHALL BE PRODUCT REPAIR AS PROVIDED HEREIN. IMPLIED WARRANTIES, INCLUDING WARRANTIES OF MERCHANTABILITY OR FITNESS FOR A PARTICULAR PURPOSE, ARE LIMITED TO ONE YEAR. WARRANTOR SHALL NOT BE LIABLE FOR INCIDENTAL OR CONSEQUENTIAL DAMAGES. SOME STATES DO NOT ALLOW THE EXCLUSION OR LIMITATION OF INCIDENTAL OR CONSEQUENTIAL DAMAGES, OR LIMITATIONS ON THE DURATION OF IMPLIED WARRANTIES OF MERCHANTABILITY OR FITNESS, SO THESE EXCLUSIONS OR LIMITATIONS MAY NOT APPLY TO YOU. THIS WARRANTY GIVES YOU SPECIFIC LEGAL RIGHTS AND YOU MAY ALSO HAVE OTHER RIGHTS, WHICH VARY FROM STATE TO STATE.

WARNING! This product may contain chemicals known to the state of California to cause cancer or birth defects or other reproductive harm. For more information, visit: www.summitappliance.com/prop65

Chemicals known by the manufacturer to be present in this product in concentrations higher than threshold limits: NONE.

FELIX STORCH, INC.
770 Garrison Avenue
Bronx, NY 10474
Phone: (718) 893-3900
Fax: (718) 842-3093
www.summitappliance.com



For parts and accessory ordering,
troubleshooting and helpful hints, visit:
www.summitappliance.com/support

Printed in China