

# Microwave Oven

Instruction manual

EN



## SENCOR®

SMW 6320 / SMW 6420DS

Prior to using this appliance, please read the user's manual thoroughly, even in cases, when one has already familiarised themselves with previous use of similar types of appliances. Use the appliance only as described in this user's manual. Store the user's manual in a safe place for future reference.

We recommend saving the original shipping cardboard box, packaging material, receipt and warranty for the period of the warranty at minimum. In case of transportation, pack the product using the original packaging materials only.

EN-1

## CONTENTS

IMPORTANT SAFETY INSTRUCTIONS .....	3
SAFETY MEASURES TO PREVENT POSSIBLE RISKS OF EXPOSURE TO MICROWAVE ENERGY .....	4
GROUNDING INSTRUCTIONS .....	4
RADIO INTERFERENCE .....	4
INSTALLATION .....	5
DESCRIPTION .....	6
CONTROL PANEL .....	7
MICROWAVE COOKING PRINCIPLES.....	8
KITCHENWARE GUIDE.....	8
INSTRUCTIONS FOR MICROWAVE OVEN USE.....	9
Quick start.....	9
Clock setting .....	9
Microwave cooking .....	9
Weight defrost.....	10
Auto cooking .....	10
Timer function .....	11
Pause and cancel.....	11
Child lock.....	11
CLEANING AND CARE .....	12
BEFORE YOU CALL FOR SERVICE .....	13
TECHNICAL SPECIFICATIONS .....	13

## IMPORTANT SAFETY INSTRUCTIONS READ CAREFULLY AND SAFE FOR FUTURE REFERENCE

When using the microwave oven, basic safety precautions should be followed, including the following: This appliance is not intended for use by persons (including children) with reduced physical, sensory or mental capabilities, or lack of experience and knowledge, unless they have been given supervision or instruction concerning use of the appliance by a person responsible for their safety. Children should be supervised to ensure that they will not play with the appliance.



### WARNING:

To reduce the risk of fire, electric shock, personal injuries or exposure to an excessive amount of microwave energy:

- 1) Read all instructions carefully before using the appliance.
- 2) Use this appliance only for its intended purpose for which it is designed and as described in this manual. This oven is specifically designed for heating, cooking or drying food. It is not designed for industrial or laboratory use. Do not use corrosive chemicals to this appliance.
- 3) Do not turn the microwave on when empty.
- 4) Do not use this oven if the power cord or plug is damaged, or if it does not work properly, or if it has been damaged or has been dropped on the ground. If the supply cord is damaged, it must be replaced by an authorised service centre or other similar qualified person in order to avoid a possible dangerous situation.
- 5) **WARNING:** If the door or the door sealing is damaged, the oven must not be used until it is repaired by an authorised service or qualified technician.
- 6) **WARNING:** It is dangerous for anyone other than an authorised service or trained person to execute any repairs or maintenance, including the removal of the cover protecting against the exposure to microwave energy radiation.
- 7) **WARNING:** Only allow children to use the oven without supervision when the adequate instructions have been given so that the child is able to use the oven in a safe manner and can understand the dangers of improper use.
- 8) To reduce the risk of fire inside the oven:  
Only use dishes which are suitable for microwave use.  
When heating the food in plastic or paper dishes, check the oven regularly to make sure nothing is ignited.
- 9) In case of smoke, turn the appliance off and remove the plug from the socket. Leave the oven door closed in order to prevent from the spread of possible fire.
- 10) Do not use the interior for storage purpose. If the oven is not used, do not leave paper material, kitchenware or food inside.
- 11) **WARNING:** Liquids or other food must not be heated in closed dishes as they have a tendency to explode.
- 12) Microwave heating of drinks may cause delayed boiling and therefore it is important to be careful when handling the dishware.
- 13) Do not deep-fry food in the microwave oven. Hot oil may damage oven parts, dishes or even cause skin burns.
- 14) Eggs in shells and whole hard-boiled eggs must not be heated in the microwave oven since they may explode, even after microwave heating has ended.
- 15) Pierce food with a thick skin, such as potatoes, squash, apples and chestnuts before cooking.
- 16) The contents of feeding bottles and baby food jars must be stirred or shaken and the temperature should be checked before serving to avoid burning.
- 17) Kitchenware can become hot as a result of heat transferred from the heated food. It will sometimes be necessary to use protective gloves.
- 18) **IMPORTANT** - kitchenware and aids which must not be used in the microwave oven:
  - metal pans or dishes with metal handles or metal trimming
  - clips for plastic bags
  - dishes with melamine surface
  - common thermometers which are used e.g. to measure the temperature of meat, etc.

## SAFETY MEASURES TO PREVENT THE POSSIBLE RISK OF EXPOSURE TO MICROWAVE ENERGY

- 1) Do not attempt to operate the microwave oven with the door open - you could expose yourself to harmful microwaves. It is important not to defect or tamper with the safety interlocks.
- 2) Do not place any object between the oven front part and the door or allow soil or cleaner residue to accumulate on sealing surfaces.
- 3) Do not operate the oven if it is damaged. It is particularly important to close the oven door properly in order to avoid damaging the following parts:
  - a. door (bent),
  - b. hinges and latches (broken or loosened),
  - c. door seals and other parts
- 4) The microwave oven may only be adjusted or repaired by a qualified service agent.

## GROUNDING INSTRUCTIONS

This microwave oven must be grounded. The oven is equipped with a power cord having a grounding wire with a grounding plug. The plug must be connected to the electric power point which is correctly installed and grounded. In the event of an electrical short-circuit; grounding reduces the risk of electric shock by providing an escape wire for the electric current. It is recommended to connect the oven to a separate electrical circuit. Using high voltage is dangerous and may cause fire or different accident resulting in damage to the oven.

**WARNING:**

Incorrect grounding socket can lead to the risk of electric shock.

**Note:**

- 1) If you have any questions concerning the grounding or electrical instructions, consult them with a qualified electrician or service agent.
- 2) Neither the manufacturer nor dealer is responsible for any damages to the oven or physical injuries incurred by the negligence to adhere to the correct electrical connection procedures.

## RADIO INTERFERENCE

When using the oven, your radio, television or similar equipment may be disturbed.

In case of interference, it may be reduced or eliminated by taking the following procedures:

- 1) Maintain the door and the sealing of the oven surface clean.
- 2) Redirect the radio or television antenna receiver.
- 3) Move the microwave oven further from the receiver.
- 4) Plug the microwave oven to a different socket with an independent electrical circuit.

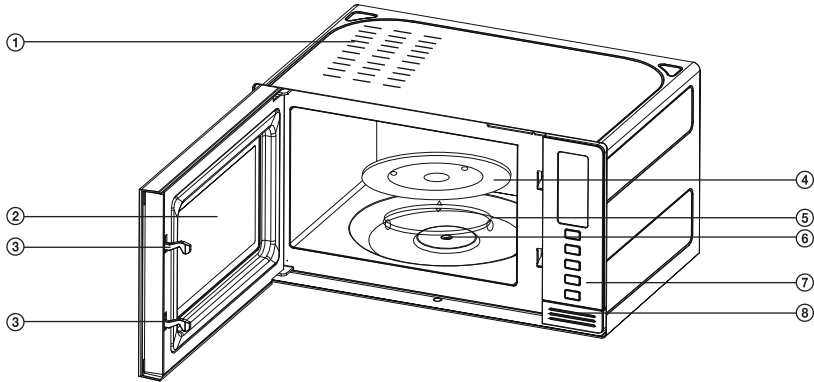
## INSTALLATION

- 1) Make sure all the packing materials, such as plastic bags, polystyrene etc., are removed from the inside of the oven.
- 2) **WARNING:** Check the oven for any damage, such as misaligned or bent door, damaged door seals and sealing surface, broken or loose door hinges and latches and dents inside the cavity or on the door. In case of any damage, do not operate the oven and contact a qualified service agent.
- 3) The microwave oven must be placed on a flat, stable surface to hold its weight and the heaviest food likely to be cooked in the oven.
- 4) Do not place the oven where heat, moisture or higher humidity is generated, or near combustible materials.
- 5) To ensure the correct operation, the oven must have sufficient air flow. Keep 20 cm free space above the oven, 10 cm at back and 5 cm at both sides. Do not cover or block any events of the oven. Do not remove the oven's feet.
- 6) **Your product has been designed for use as a stand-alone device. It has not been designed to be used as a built-in appliance.**
- 7) Do not operate the oven without installing the glass tray, the roller ring and power device.
- 8) Never place the glass tray upside down. The glass tray should never be restricted. If glass tray or turntable ring assembly cracks or breaks, contact your nearest seller or authorized service centre. All food and containers of food are always placed on the glass tray for cooking.
- 9) Make sure the supply cord is not damaged, placed under the oven or in contact with any hot or sharp surface.
- 10) Make sure that the electric power socket is easy to reach in case of a quick disconnection of the power cord out of the socket.
- 11) Do not use the oven outdoors.

# Microwave Oven

SMW 6320 / SMW 6420DS

## DESCRIPTION

**A**

- ① Ventilation slots
- ② Oven window
- ③ Door safety lock system
- ④ Glass turntable tray

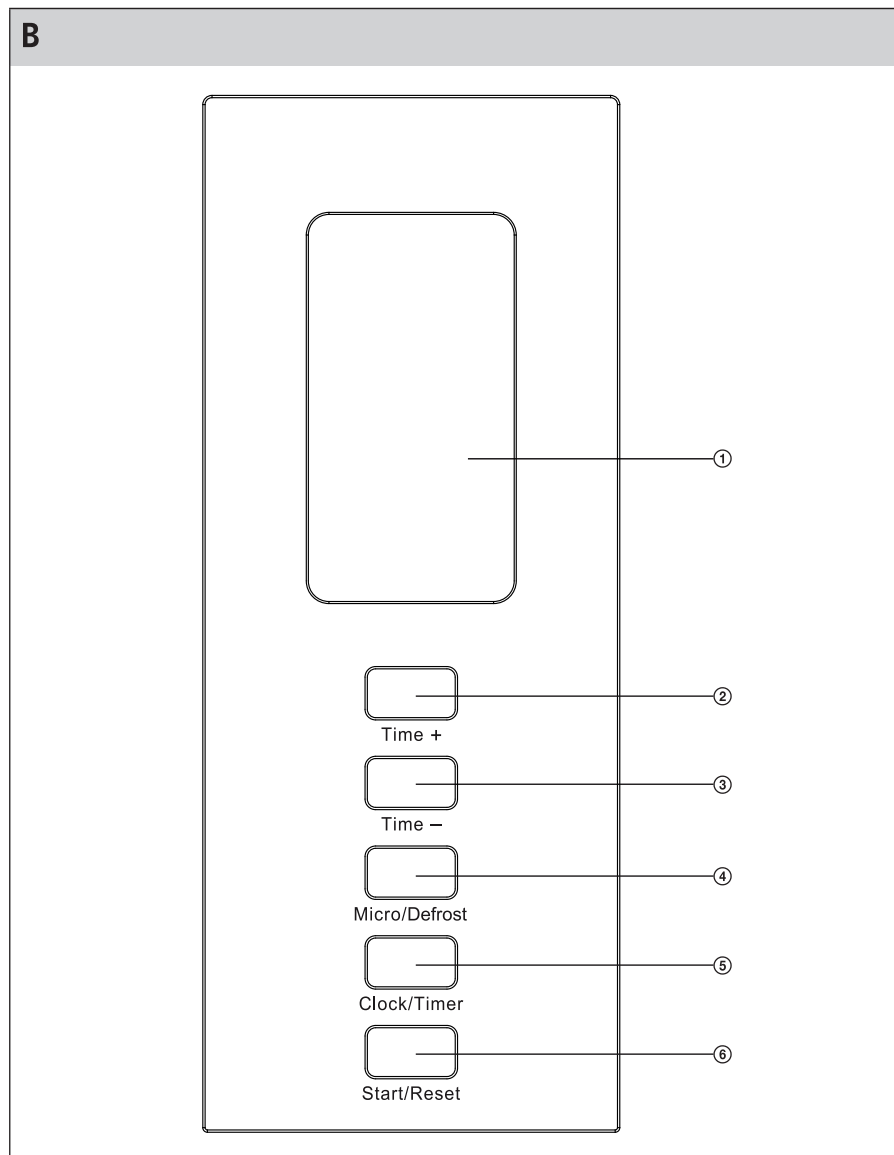
- ⑤ Turntable roller
- ⑥ Turntable shaft
- ⑦ Control panel
- ⑧ Open door button

# Microwave Oven

SMW 6320 / SMW 6420DS

EN

## CONTROL PANEL



EN-7

## CONTROL PANEL

### ① Display

In the oven standby mode, it shows the current time. In each mode of cooking, it counts down the time and it displays the preset program.

### ② TIME +

Use TIME + button to set the clock. It is used to set the cooking time in the microwave cooking mode or the timer mode. It is used to set the weight of food in the defrost mode or the auto cooking mode.

### ③ TIME –

Use TIME – button to set the clock. It is used to set the cooking time in the microwave cooking mode or the timer mode. It is used to set the weight of food in the defrost mode or the auto cooking mode.

### ④ MICRO/DEFROST

Use MICRO/DEFROST button to set power and microwave oven mode – auto cooking mode and defrost mode. At the same time the MICRO/DEFROST button serves to activate/deactivate the child safety lock, the keep warm function and the internal area disinfection function.

### ⑤ CLOCK/TIMER

Use CLOCK/TIMER button to set the clock and timer.

### ⑥ START/RESET

Press this button to start the cooking program or defrost program. At the same time it is used to stop the set program.

## MICROWAVE COOKING PRINCIPLES

- 1) Arrange the food carefully. Place the thickest pieces around the edge of the dish.
- 2) Do not prepare the food directly on the glass tray. Always place the food into the appropriate dish before inserting into the oven.
- 3) Set the cooking time correctly. Use short time for cooking and add more if needed. Cooking food at high temperatures may cause smoke or ignition.
- 4) Cover the food while cooking. Covering the food prevents juices from squirting and helps food to heat evenly.
- 5) To increase the speed of cooking food, such as chicken and hamburgers, turn them over once during cooking. Large pieces of food such as roasts must be turned over at least once.
- 6) Rearrange similar types of food such as meatballs during cooking from back to front and from the centre to the edge.

## KITCHENWARE GUIDE

- 1) Transparent dishes are ideal for microwave cooking as they enable the penetration of microwaves and heat the food.
- 2) Microwaves can not penetrate through metal thus hence metal dishes or bowls with a metal rim should not be used.
- 3) Do not use recycled paper products for microwave cooking as they can contain small metal fragments.
- 4) Use round/oval dishes rather than square/rectangular ones, food in corners has a tendency to overcook.
- 5) You should only use dishes suitable for microwave use in accordance with the manufacturer's instructions.  
This general list will help you to select the appropriate dishes.

# Microwave Oven

SMW 6320 / SMW 6420DS

EN

Heat resistant glass	Yes
Common glass	No
Heat resistant ceramics	Yes
Microwave-Safe plastic dishes	Yes
Kitchen paper	Yes
Metal trays	No
Metal rack	No
Aluminium foil and foil containers	No

## INSTRUCTIONS FOR MICROWAVE OVEN USE

When connecting the power cord plugs into the wall socket, the microwave oven beeps and display lights on. That is not a malfunction.

Each press is followed by beeps.

When program finished, the microwave oven beeps 5 times.

Then the microwave oven comes back to oven standby mode.

### Quick start

In the oven standby mode, press **Start/Reset** button to start cooking at maximum power level for 1 minute. After cooking, the microwave oven beeps 5 times.

### Clock setting

Microwave oven is equipped with 24-hour clock function.

- 1) Press **Clock/Timer** button and the display will start to flash. Use **TIME +** or **TIME -** button to set the hours.
- 2) Press **Clock/Timer** button again. Use **TIME +** or **TIME -** button to set the minutes.
- 3) Press **Clock/Timer** button to confirm and finish the setting.

### Note:

If you want to change the time, it is necessary to start from the beginning.

### Microwave cooking

#### A) Quick cooking method

(For example: You wish to cook at 100% of power for 5 minutes.)

- 1) Press **TIME +** or **TIME -** to set the 5 minutes of cooking time. The "MICROWAVE" will flash on the display.
- 2) Press **Start/Reset** button to start the cooking. The display shows "MICROWAVE".

#### B) Manual setting

(For example: You wish to cook at 70% of power for 10 minutes.)

- 1) Press **Micro/Defrost** button and select 70 % power (P70). The "MICROWAVE" will flash on the display.
- 2) Press **TIME +** or **TIME -** to set the 10 minutes of cooking time.
- 3) Press **Start/Reset** button to start the cooking. The display shows "MICROWAVE".

# Microwave Oven

SMW 6320 / SMW 6420DS

## Microwave power table

Press Micro/Defrost button repeatedly to select the power:

Number of press	Display	Micro power
1	P100	100 %
2	P70	70 %
3	P50	50 %
4	P30	30 %
5	P10	10 %

## Weight defrost

- 1) Press **Micro/Defrost** button repeatedly until it displays "dEF" on the screen. At the same time "DEFROST" will start to flash on the display.
- 2) Press **TIME +** or **TIME -** to set the weight of food you wish to defrost. You can set the weight from 100 g up to 2000 g.
- 3) Press **Start/Reset** button to start the defrosting. The display shows "DEFROST".

## Auto cooking

It is not necessary to set the time and micro power at this mode. You only need to select the type of meal you wish to cook and its weight.

- 1) Press **Micro/Defrost** button once or repeatedly and choose the meal code from "A-1" up to "A-6" according to the table below. At the same time "AUTO MENU" will start to flash on the display.
2. Press **TIME +** or **TIME -** to set the weight.
3. Press **Start/Reset** button to start the cooking. The display shows "AUTO MENU".

## Auto cooking table

Number of press / Weight (kg) / Menu	A-1 Rice	A-2 Vegetables	A-3 Meat	A-4 Pasta	A-5 Fish	A-6 Reheat
1	0,1	0,1	0,2	1	0,1	0,1
2	0,2	0,2	0,3	2	0,2	0,2
3	0,3	0,3	0,4		0,3	0,3
4	0,4	0,4	0,5		0,4	0,4
5	0,5	0,5	0,6		0,5	0,5
6		0,6	0,8		0,6	0,6
7			1,0		0,7	
8					0,8	
9					0,9	
10					1,0	

## Timer function

Your microwave oven is provided with a timer function that allows you to start cooking at desired time for desired time. After finishing the cooking process, the microwave oven will be turned off automatically.

To activate this function, it is necessary to set the clock correctly.

For example: It is 16:30 and you wish to start cooking at 18:15 on 70% power for 10 minutes.

- 1) Press **Clock/Timer** button and set the time to "18:15" using the **TIME +** and **TIME -** button (the same process as setting the clock).
- 2) Press **Micro/Defrost** button and select 70 % power (P70). "MICROWAVE" will start to flash on the display.
- 3) Use the **TIME +** or **TIME -** button to set 10 minutes of cooking time.
- 4) Press **Start/Reset** button to activate the timer function. The display shows the clock symbol.
- 5) At 18:15 the microwave oven beeps and it start to cook.

### Note:

If you do not set the power or the cooking time, the microwave oven will work only as a clock.

## Pause and cancel

### 1) Door opened

Press **Start/Reset** button to cancel setting or cooking program.

### 2) Door closed

Press **Start/Reset** button to start cooking after setting the program.

Press **Start/Reset** button to continue in cooking when the cooking process paused.

Press **Start/Reset** button to stop process if activated.

## Child safe lock

The microwave oven has been designed to prevent small children from using the microwave oven without adult supervision. Once the child safe lock has been set, it will be impossible to operate the oven.

CHILD SAFE LOCK activation: Press **Micro/Defrost** and **Clock/Timer** buttons and hold it for approx. 2 seconds. Once activated, a beep will be heard and a lock symbol will appear on the screen. No button will be activated.

CHILD SAFE LOCK deactivation: Press the **Micro/Defrost** and **Clock/Timer** buttons and hold it for approx. 2 seconds. A beep will be heard and a lock symbol will disappear.

## Keep warm function

To activate the keep warm function repeatedly press the **Micro/Defrost** button until „H-A“ appears on the display, use the **TIME +** and **TIME -** buttons to set the desired keep warm time and press the **Start/Reset** button.

The microwave oven will maintain the food temperature by reducing microwave power to 16% of the maximum.



### Note:

The maximum time for the keep warm function is 90 minutes.

## Internal area disinfection function

This microwave oven can disinfect the internal area using microwaves.

You can take advantage of this function before heating / cooking to eliminate odours inside the microwave oven.

To activate this function insert a cup or plate without food into the microwave oven, repeatedly press the **Micro/Defrost** button until „dis“ appears on the display.

For 5 minutes the microwave oven will emit 100% microwave power into the internal area.

## MAINTENANCE AND CLEANING

Prior to cleaning the oven, always turn the oven off and remove the electric cord from the socket.

- 1) Before using the oven for the first time, wash the glass tray in water with detergent and rinse roughly.
- 2) Maintain the interior space of the oven clean. If the oven walls are dirtied by food juices, wipe with a wet cloth. If the oven is heavily dirtied, you can use a weak solution of a neutral cleaning agent. Avoid using a spray or abrasive cleaning agents, which could lead to discolouration or bleaching of the surface.
- 3) The exterior part of the oven should be cleaned by a damp cloth. In order to prevent damage to the operational parts of the oven, make sure water does not enter the ventilation openings.
- 4) Clean the oven door and window on both sides, the door sealing and adjacent parts on a regular basis from dirt and remnants of food. We recommend using a weak solution of a neutral kitchen cleaning agent for cleaning. Do not use abrasive cleaning agents, gas or thinners for cleaning.
- 5) Do not allow the control panel to get wet. Clean it with a soft damp cloth. When cleaning the control panel, leave the oven door open to prevent turning it on by accident.
- 6) If the interior of the door and the adjacent parts become obscured by steam from food, clean using a soft cloth. This may occur as a result of using the oven in a place with higher humidity. It is a normal state.
- 7) It is necessary to occasionally remove the glass tray and clean it. Rinse the tray in warm soap water or in the dishwasher.
- 8) The rotating circle and bottom of the interior part of the oven should be cleaned on a regular basis to prevent an increase in noise. You can easily clean the bottom of the interior part of the oven with a weak solution of a neutral cleaning agent. The rotating circle can be cleaned in a weak solution of a neutral cleaning agent or in the dishwasher. After removing the rotating circle from the oven interior for cleaning, return it to its original position once clean.
- 9) To get rid of the smell from the oven, place a glass of water in the microwave oven (make sure it is suitable for microwave use) with the rind of one lemon and let it cook in the microwave programme for 5 minutes. Wipe the oven interior dry thoroughly using a soft cloth.
- 10) If it is necessary to replace the interior lighting of the oven, please contact the dealer.
- 11) Clean the oven on a regular basis in accordance with the aforementioned instructions and remove the remnants of food. Not maintaining the oven in a clean state could lead to the damage of the surface, which could have a negative influence on the life of the appliance and could result in a dangerous situation.

# Microwave Oven

SMW 6320 / SMW 6420DS

EN

## BEFORE YOU CALL FOR SERVICE

If the microwave oven fails to operate:

- 1) Make sure the oven is plugged in securely. If it is not, remove the plug from the socket, wait 10 seconds and plug it in again securely.
2. Make sure there is no blown circuit fuse or a triplex main circuit breaker. If these seem to be operating properly, test the socket with another appliance.
3. Make sure the control panel is programmed correctly and the timer is set.
4. Make sure the door is securely closed to engage the door safety lock system. Otherwise, the microwave energy will not flow into the oven.

IF NONE OF THE ABOVE RECTIFIES THE SITUATION, CONTACT A QUALIFIED SERVICE AGENT. DO NOT TRY TO ADJUST OR REPAIR THE OVEN YOURSELF.

## TECHNICAL SPECIFICATIONS

Power consumption: .....	220 - 240 V
Rated frequency: .....	50 Hz
Rated power input: .....	1080 W
Microwave Output: .....	700 W
Operation Frequency: .....	2 450 MHz
Noise level: .....	60 dB (A)
Outside dimensions: .....	454 mm (w) x 330 mm (d) x 262 mm (h)
Inner dimensions: .....	315 mm (w) x 296 mm (d) x 211 mm (h)
Oven Capacity: .....	20 l
Net Weight: .....	approx. 12 kg
Glass tray diameter: .....	24, 5 cm

The declared noise emission level for this appliance is 60 dB(A), which represents level A of the acoustic power relative to the reference acoustic power of 1 pW.

## PACKAGING CONTENTS

Microwave oven  
Turntable roller  
Glass turntable

Change in text and technical specifications reserved.

## INSTRUCTIONS AND INFORMATION REGARDING THE DISPOSAL OF USED PACKAGING MATERIALS

Dispose of packaging material at a public waste disposal site.

## DISPOSAL OF USED ELECTRICAL AND ELECTRONIC APPLIANCES



The meaning of the symbol on the product, its accessory or packaging indicates that this product shall not be treated as household waste. Please, dispose of this product at your applicable collection point for the recycling of electrical & electronic equipment waste. Alternatively in some states of the European Union or other European states you may return your products to your local retailer when buying an equivalent new product. The correct disposal of this product will help save valuable natural resources and help in preventing the potential negative impact on the environment and human health, which could be caused as a result of improper liquidation of waste. Please ask your local authorities or the nearest waste collection centre for further details. The improper disposal of this type of waste may fall subject to national regulations for fines.

### For business entities in the European Union

If you wish to dispose of an electrical or electronic device, request the necessary information from your seller or supplier.

### Disposal in other countries outside the European Union

If you wish to dispose of this product, request the necessary information about the correct disposal method from local government departments or from your seller.



This product meets all the basic EU regulation requirements that relate to it.

Changes to the text, design and technical specifications may occur without prior notice and we reserve the right to make these changes.