



EN ■ Stick blender

READ CAREFULLY AND STORE FOR FUTURE USE.**General warnings**

- This appliance may be used by children 8 years of age and older and by persons with physical or mental impairments or by inexperienced persons, if they are properly supervised or have been informed about how to use the appliance in a safe manner and understand the potential dangers.
- Children must not play with the appliance. Cleaning and maintenance performed by the user must not be performed by unsupervised children.

Electrical safety

- Before connecting this appliance to a power socket, make sure the voltage stated on its rating label corresponds to the voltage in your power socket.
- Connect the appliance only to a properly grounded socket. Do not use an extension cord.
- Never connect the appliance to a power socket until it is properly assembled.
- Fully unwind the power cord before using it.
- Do not connect and disconnect the power cord to and from the power socket with wet hands.
- Ensure that the power plug contacts do not come into contact with water or any other liquid. If precisely this happens, carefully dry the power plug before using it again.
- Do not disconnect the appliance from the power socket by pulling on the power cord. This could damage the power cord or the power socket. Disconnect the power cord from the power socket by pulling on the plug.
- Do not place heavy items on the power cord. Make sure the power cord does not hang over the edge of a table or that it is not touching a hot surface or sharp objects.
- If the power cord is damaged, it must be replaced by the manufacturer, its service technician or by a similarly qualified person, as this will prevent

a dangerous situation from arising. It is forbidden to use the appliance if it has a damaged power cord.

- Do not wind the power cord around the appliance.
- Always turn off the appliance and disconnect it from the power socket when not using it, when leaving it without supervision and before removing or replacing accessories, and before cleaning, maintenance or storage.
- To avoid the danger of injury by electrical shock, do not repair the appliance yourself or make any adjustments to it. Have all repairs or adjustments of the appliance performed at an authorised service centre. Tampering with the appliance during the warranty period may void the warranty.
- To prevent the risk of injury by electrical shock, never submerge the motor unit and its power cord in water or any other liquid, or wash these parts under running water.
- Always turn off the appliance and disconnect it from the power socket when you have finished using it.
- In the event that the appliance falls into water, under no condition reach for it, rather, immediately disconnect the power cord from the power socket. Never use an appliance that was submerged in water. Hand it over to an authorised service centre for inspection.

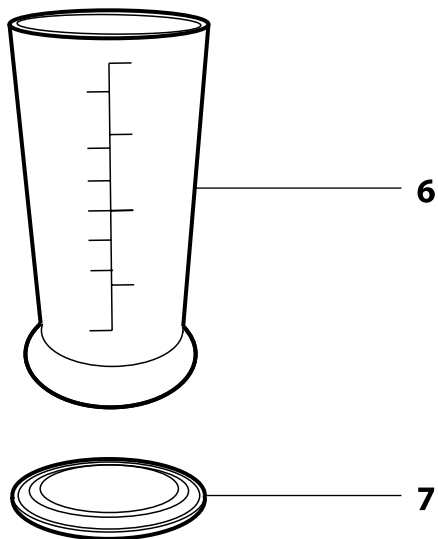
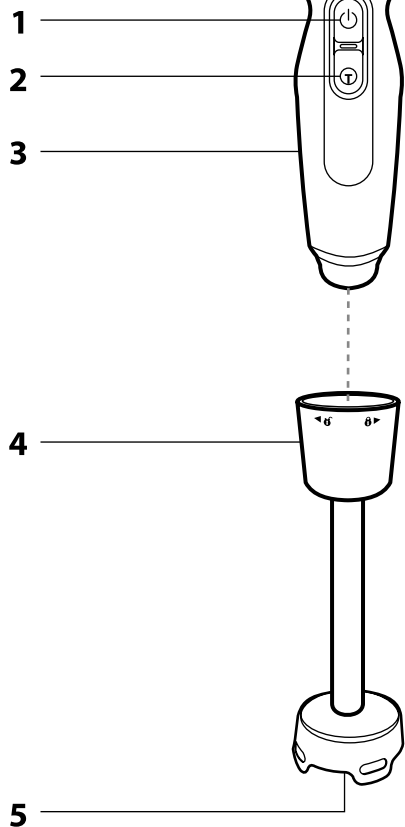
Safety during use

- This appliance is designed for household and is intended for blending, chopping and whipping food. It is also suitable for processing hard ingredients such as coffee beans, cocoa beans, ice cubes, nutmeg, etc.
- Do not use the appliance in an industrial environment or outdoors. Do not use it for any other purposes than those intended.
- The appliance is intended for domestic use and similar locations such as:
 - kitchens in stores; offices and other workplaces;
 - in agriculture;
 - for guests of hotels, motels and other similar locations;
 - in bed and breakfast establishments.
- This appliance is not intended to be operated using an external timer switch or a remote control system.

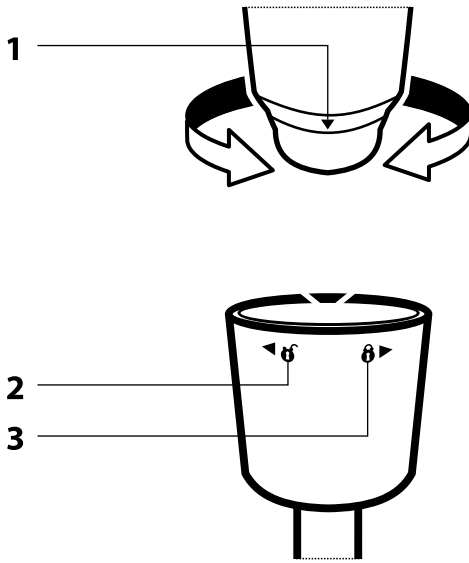
- Use the appliance and its accessories in accordance with the instructions contained in this user's manual.
- Only use the appliance with the original accessories that came with it.
- Before every use, check the selected accessory for damage. Never use the appliance with a damaged accessory.
- Do not place the appliance or its accessories on an electric or gas stove or in its vicinity, on the edge of a table or on an unstable surface. Only place the appliance on an even, dry and stable surface.
- Do not expose the appliance and its accessories to the outdoor environment, extreme temperatures, direct sunlight, excessive humidity or excessively dusty environments.
- Do not place the appliance and its accessories near heaters, open fires or other sources of heat.
- Make sure that the appliance is correctly assembled before putting it into operation.
- Do not touch moving rotating parts during operation. Otherwise, this could result in injury.
- Be especially careful when handling hot liquids and foodstuffs. Hot steam or splashing hot foods and liquids may cause scalding. For reasons of increased safety, allow hot foods and liquids to cool down to at least 45 °C before blending.
- The operating time of the appliance is 1 minute. Before turning it on again, allow it to cool down for at least 3 to 5 minutes. When using the appliance to blend sticky or harder foodstuffs, interrupt operation already after 30 seconds.
- Do not turn on the appliance when it is empty. Incorrect use of the appliance may negatively affect its lifetime.
- Check that the motor unit is turned off, disconnected from the power socket and that the rotating parts have come to a complete stop before disassembling the appliance into its individual parts.
- Do not perform any maintenance on the appliance other than cleaning the individual components as described in chapter Cleaning and maintenance.
- Never use an appliance that is damaged in any way.
- Do not use the appliance if it has fallen on the floor, if it was submerged in water, if it is not functioning correctly or if it is damaged in any other way.

- When handling the blade assembly of the blender or chopper unit, especially when taking the blade assembly out of the bowl, when emptying the bowl and cleaning it, take special care to avoid injury by the blades.
- Do not use the appliance when it is not functioning properly or showing signs of damage.
- In order to prevent a hazardous situation arising, do not repair the appliance yourself or modify it in any way. Have all repairs performed at an authorised service centre. By tampering with the appliance, you risk voiding your legal rights arising from unsatisfactory performance or quality warranty.
- Store the appliance in a dry environment.

A



B



- Prior to using this appliance, please read the user's manual thoroughly, even in cases, when one has already familiarised themselves with previous use of similar types of appliances. Only use the appliance in the manner described in this user's manual. Keep this user's manual in a safe place where it can be easily retrieved for future use. In the event that you hand this appliance over to somebody else, make sure to also include this user's manual.
- Carefully unpack the appliance and take care not to throw away any part of the packaging before you find all its parts. We recommend saving the original cardboard box, packaging material, purchase receipt and responsibility statement of the vendor or warranty card for at least the duration of the legal liability for unsatisfactory performance or quality. In the event of transportation, we recommend that you pack the appliance in the original box from the manufacturer.

DESCRIPTION OF THE APPLIANCE AND ITS ACCESSORIES

A1 Normal speed switch

A2 High speed switch (turbo)

A3 Motor unit

A4 Removable blender stick attachment

A5 Blade assembly

Contains 4 stainless steel blades

A6 Beaker, volume 700 ml

A7 Anti-slip base pad / lid

B1 Help arrow

B2 „Unlocked“ symbol

B3 „Locked“ symbol

PURPOSE OF USE

- The stick blender is suitable for blending soft ingredients and liquids as well as processing hard ingredients. It is used namely for preparing baby food, various types of shakes, sauces, spreads, grinding coffee beans, cocoa beans, ice cubes, nutmeg, etc.

BEFORE FIRST USE

- Thoroughly wash accessories that are intended for coming into contact with food (blender stick attachment **A4**, blending beaker **A6** and base pad **A7**) using warm water with neutral kitchen detergent. Then rinse them with clean water and allow them to dry naturally or wipe them thoroughly dry using a fine wiping cloth.



Attention:

When cleaning the blade assembly **A5**, be very careful not to injure yourself on its sharp edges.

- When cleaning the blender attachment **A4**, do not submerge the top end that connects to the motor unit **A3**.

OPERATING THE APPLIANCE

- Slide attachment **A4** on to the motor unit **A3** from underneath so that the arrow **B1** on the rear side of the motor unit points at the unlocked padlock symbol **B2** on the attachment.
- Turn the motor unit so that the arrow moves to the locked padlock symbol **B3**. The connection of both parts is accompanied by a click.
- To release the attachment from the motor unit, firmly grasp both parts and turn the motor unit so that the arrow points at the open padlock symbol. Pull both parts away from each other.



Attention:

Before attaching or removing attachment **A4**, make sure that the motor unit **A3** is turned off and disconnected from the power socket and that the rotating parts have come to a complete stop. The part of the attachment that is connected to the motor unit must be thoroughly dry.

- For blending, use the beaker **A6** or another suitable container intended for coming into contact with food. The anti-slip base pad **A7** also serves as a lid for the beaker, when you wish to use it for short term storage of food.
- Do not overfill the beaker **A6** past the maximum level mark. This will prevent splattering the ingredients while they are processed.
- Connect the motor unit **A3** to a power socket.
- Put the attachment into the bottom of the beaker. Use speed switch **A1** or **A2** to start the appliance. Move the blender slowly up and down to blend the ingredients to the required consistency. The appliance will run as long as the switch is held down. Releasing the switch will turn off the appliance.



Attention:

The maximum continuous operating time of the appliance is 1 minute. Then allow it to cool down for 3 to 5 minutes. When using the appliance to blend sticky or harder foodstuffs, interrupt operation already after 30 seconds.

- After you finish using it, disconnect the power cord from the power socket. Make sure that the rotating parts have stopped rotating, and disassemble the appliance into its individual parts. Then clean all used parts according to the instructions in chapter Cleaning and maintenance.

ADVICE AND TIPS

- It is recommended to always blend at a lower speed. While blending, move the blender up and down to blend the ingredients to the required consistency.
- To prevent ingredients from splattering, put the blender attachment **A5** into the beaker containing the ingredients before starting it, and conversely turn it off before pulling the attachment out of the beaker.
- To prevent ingredients from splattering, keep the blade assembly **A6** of the blending attachment submerged while the appliance is running. It is recommended to divide a larger amount of processed ingredients into several batches and to regularly inspect the contents inside the beaker.
- When using the blender attachment, it is recommended to process ingredients using short pulses. This will prevent the ingredients from being excessively pulverised and optimal results will be achieved.
- To make blending and chopping easier, cut hard ingredients into small pieces.
- To achieve better blending results, hold the stick blender slightly tilted, while carefully moving it up and down in the beaker. Do not use force to push ingredients down with the stick blender.
- Before blending or chopping, remove hard parts such as fruit stones or bones from the blended ingredients. This will prevent damaging the blade assembly.

QUICK GUIDE TO PROCESSING INGREDIENTS

- The food processing times provided below are only a reference. The actual processing time depends on the size of the ingredients, their amount and the required final consistency. If the required consistency is not achieved during the maximum operating time of the appliance, you may continue processing the food after the appliance has cooled down.

INGREDIENTS	AMOUNT	SPEED SETTING	PROCESSING TIME
Baby food	300 g	Medium to maximum	45 s
Spreads	200 g	Medium to maximum	30 s
Fruit and vegetables (cooked)	200 g	Medium to maximum	45 s
Sauces	500 ml	Medium to maximum	45 s
Shakes	500 ml	Medium to maximum	30 s
Meat	300 g	Medium to maximum	30 s
Fruit and vegetables	200 g	Medium to maximum	15 s
Hard and semi-hard cheeses	150 g	Maximum	10 s
Hard baked goods	100 g	Medium to maximum	20 s
Nuts with shells removed	100 g	Maximum	15 s
Herbs	50 g	Medium	10 s

- First, cut up the food into approximately 2 cm cubes and only then blend it. With vegetables like onion, it is sufficient to cut them into quarters.

CLEANING AND MAINTENANCE

- Before cleaning it, make sure that the appliance is turned off, disconnected from the power socket and that the rotating parts have stopped.
- Disassemble the appliance into its individual parts. Thoroughly wash the used blender attachment and beaker in warm water using neutral kitchen detergent. Then rinse them with clean water and allow them to dry naturally or dry them out thoroughly using a wiping cloth.
- When cleaning the blender attachment **A4**, do not submerge the top end that connects to the motor unit **A3**.
- The beaker **A6** and the anti-slip base pad **A7** can be washed in a dishwasher. Other parts are not intended for washing in a dishwasher.



Attention:

When cleaning the blade assembly **A5**, be very careful not to injure yourself on its sharp edges.

- After finishing using the blade assembly **A5**, it is also possible to clean it by submerging it in warm water with kitchen detergent, and running it for a short time. Then disconnect the appliance from the power socket, disassemble it, and rinse the blade assembly with clean drinking water and dry it thoroughly.
- To clean the outer surface of the motor unit **A3**, use a cloth lightly dipped in a weak detergent solution. After applying the detergent solution, wipe the surface with a cloth lightly dampened in clean water and then wipe dry. Do not use solvents, abrasive cleaning products, etc. for cleaning the appliance. Otherwise the surface coat of the appliance may be damaged.



Attention:

Never submerge the motor unit **A3** or the power cord in water or in any other liquid.

STORAGE

- When you have finished using the appliance, place it and its accessories in a clean, dry place out of children's reach. Keep the stored appliance and its accessories away from extreme temperatures, direct sunlight and excessive humidity and do not store it in an overly dusty environment.

TECHNICAL SPECIFICATIONS

Rated voltage range	220–240 V
Rated frequency	50/60 Hz
Rated power input	600 W
Electrical shock protection class II
Noise level	73 dB(A)

The declared noise emission level of the appliance is 73 dB(A), which represents a level A of acoustic power with respect to a reference acoustic power of 1 pW.

EXPLANATION OF TECHNICAL TERMINOLOGY



Safety class for electrical shock protection:

Class II – Electrical shock protection is provided by double or heavy-duty insulation.

Changes to text and technical parameters are reserved.

INSTRUCTIONS AND INFORMATION REGARDING THE DISPOSAL OF USED PACKAGING MATERIALS

Dispose of used packaging material at a site designated for waste in your municipality.

DISPOSAL OF USED ELECTRICAL AND ELECTRONIC EQUIPMENT



This symbol on products or original documents means that used electric or electronic products must not be added to ordinary municipal waste. For proper disposal, renewal and recycling hand over these appliances to determined collection points. Alternatively, in some European Union states or other European countries you may return your appliances to the local retailer when buying an equivalent new appliance. Correct disposal of this product helps save valuable natural resources and prevents potential negative effects on the environment and human health, which could result from improper waste disposal. Ask your local authorities or collection facility for more details. In accordance with national regulations penalties may be imposed for the incorrect disposal of this type of waste.

For business entities in European Union states

If you want to dispose of electric or electronic appliances, ask your retailer or supplier for the necessary information.

Disposal in other countries outside the European Union.

This symbol is valid in the European Union. If you wish to dispose of this product, request the necessary information about the correct disposal method from the local council or from your retailer.



This appliance meets all the basic requirements of EU directives related to it.