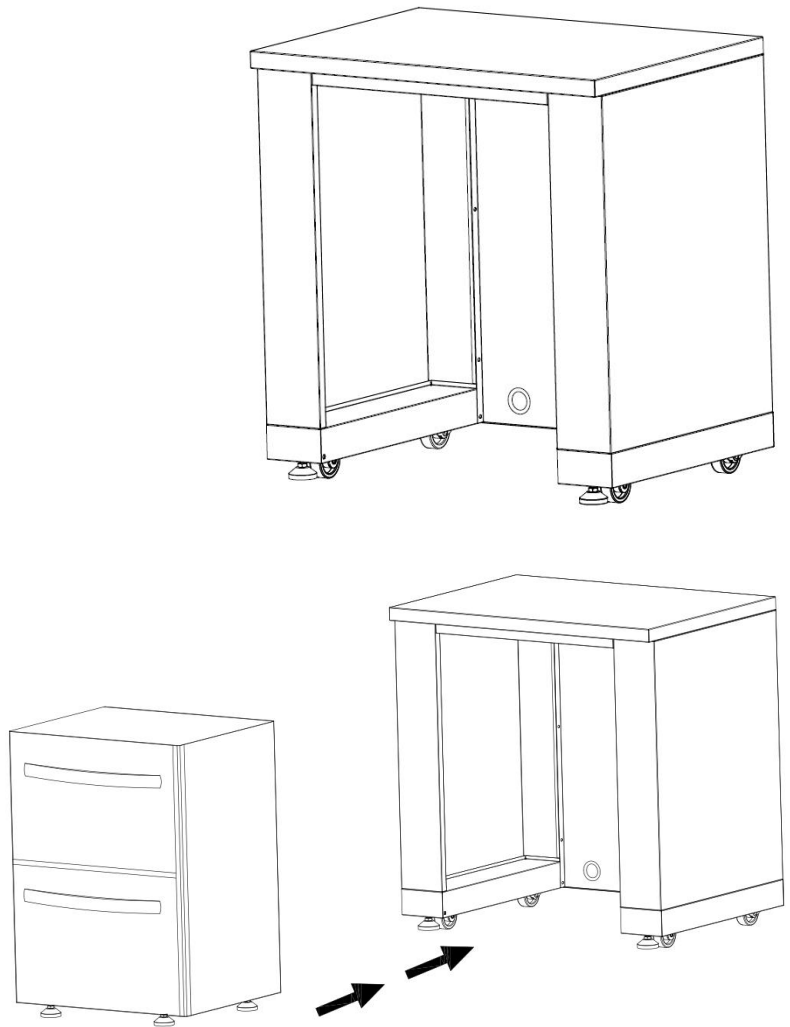




**THOR KITCHEN OUTDOOR Appliance Cabinet Installation Manual**  
**MODEL# MK02SS304 (Appliance Not included)**



**IMPORTANT:**

**Save for electrical inspector's use.**

**Installer: Leave installation instructions with the homeowner.**

**Homeowner: Keep installation instructions for future reference**

## Welcome

Thank you for purchasing your Thor Kitchen Appliance! We appreciate your business and we recommend that you read this entire User's Manual before operating your new appliance for the first time.

This manual contains instructions on how to properly install and set up your new range, as well as insights into the unique features that our product offers. Please keep this manual for future reference, as it contains answers to questions that you might have as you begin to cook.

For any inquiries, please reach our customer service support at +1 877-288-8099 at our business hours or email [service@thorgroup.us](mailto:service@thorgroup.us).

Thank you,  
Thor Group

This manual applies to the following models' series:

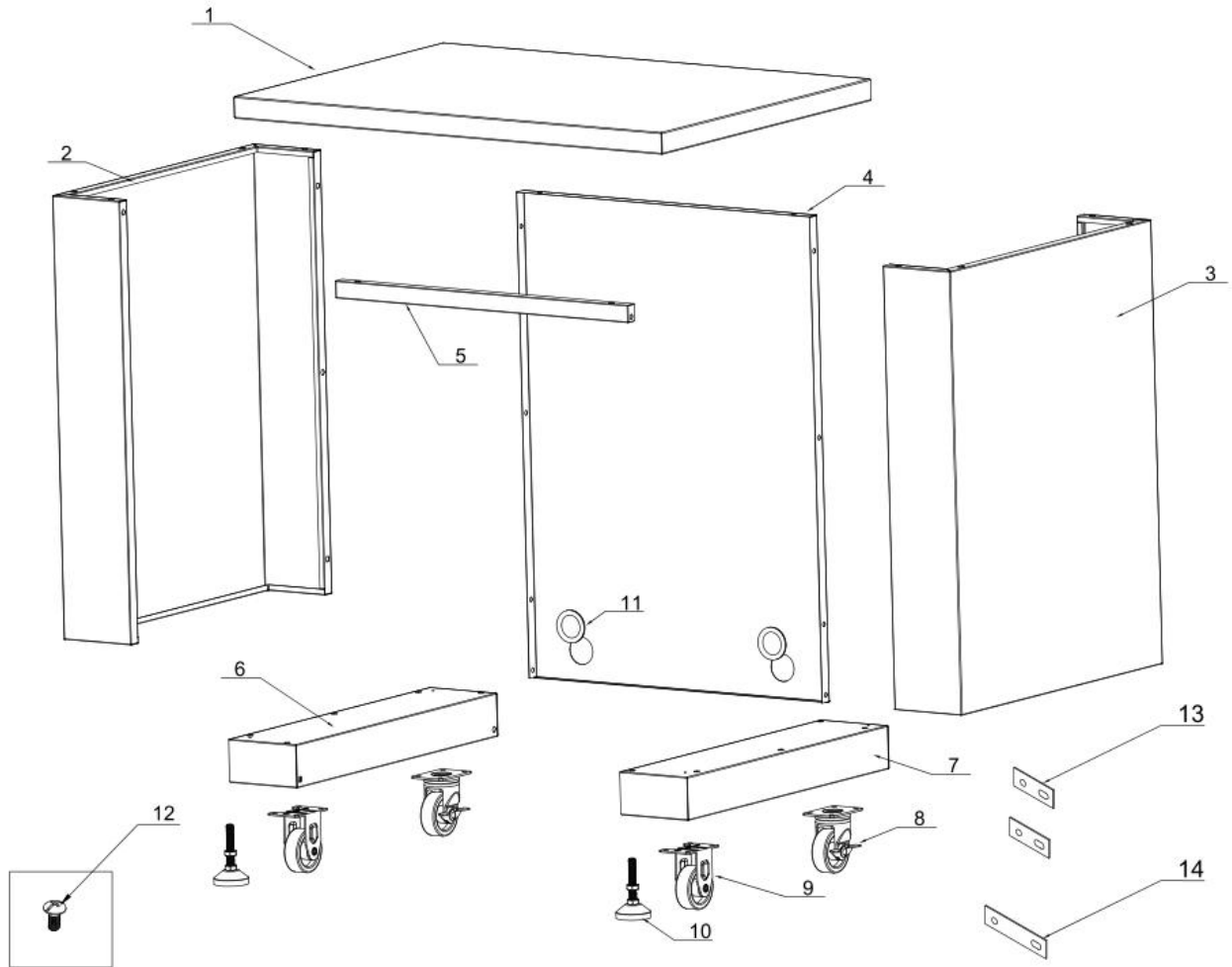
Model # MK02SS304 (Outdoor Appliance Cabinet)

Model # TRF2401U (Outdoor Two-drawer under cabinet refrigerator)

Model # TWC2401DO (Outdoor Wine Cooler)

## Parts Explosive Pictures

### Thor Kitchen Appliance Cabinet Parts Lists and Explosive Picture

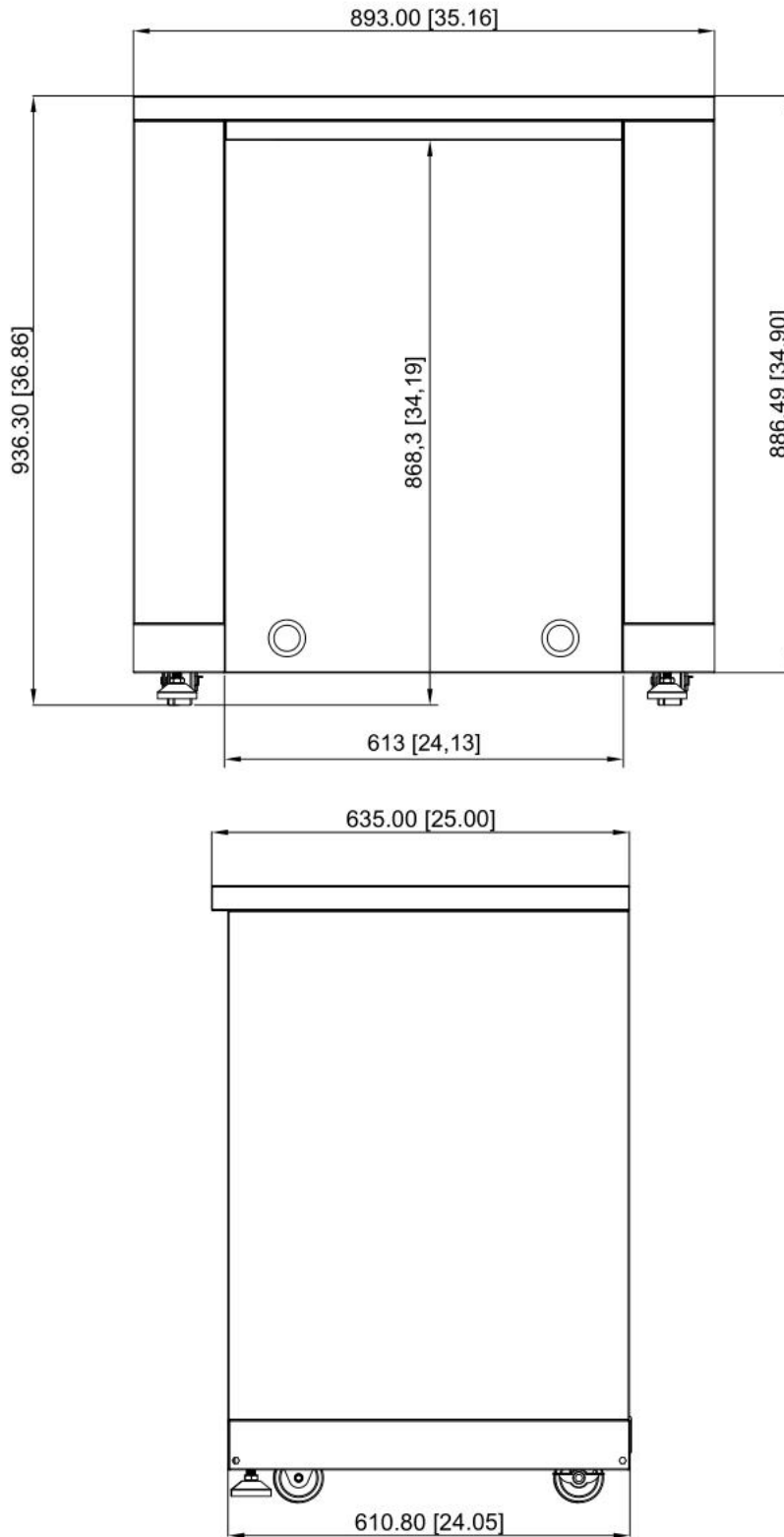


## Parts List

If you are missing any part, please contact Thor Kitchen Customer Service Department at 877-288-8099 at business hours, or email [service@thorgroup.us](mailto:service@thorgroup.us) for help.

Explosive #	Part #	Part Name	Quantity
1	20.01.008041-000-A0	Countertop welding assembly	1
2	20.01.001030-000-A0	Left side panel welding assembly	1
3	20.01.001031-000-A0	Right side panel welding assembly	1
4	20.01.001032-000-A0	Back panel welding assembly	1
5	20.01.001033-000-A0	Beam welding assembly	1
6	20.01.008042-000-A0	Right bottom panel welding assembly	1
7	20.01.008043-000-A0	Left bottom panel welding assembly	1
8	05.10.000123-000-A0	Universal caster with brake	2
9	05.10.000122-000-A0	Fixed caster	2
10	05.01.008004-000-A0	Supporting leg	2
11	06.08.008078-000-A0	Rubber gasket	2
12	06.02.000093-000-A0	Philips thumb head screw with anti-slip design	56
13	04.01.002580-000-A0	cabinet back connecting plate	2
14	04.01.002579-000-A0	cabinet front connecting plate	1

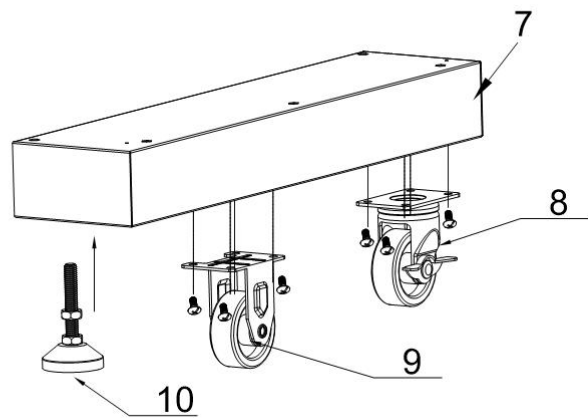
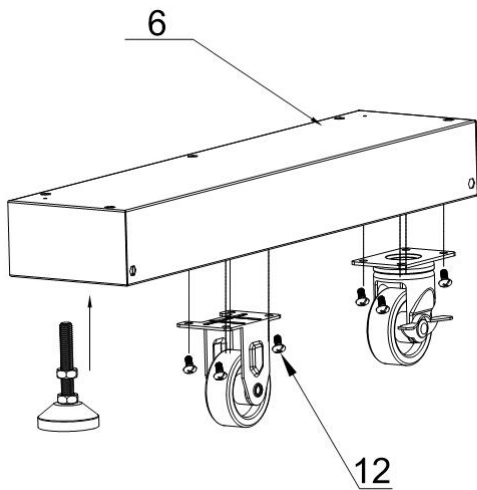
## Product Dimension



## Cabinet Installation

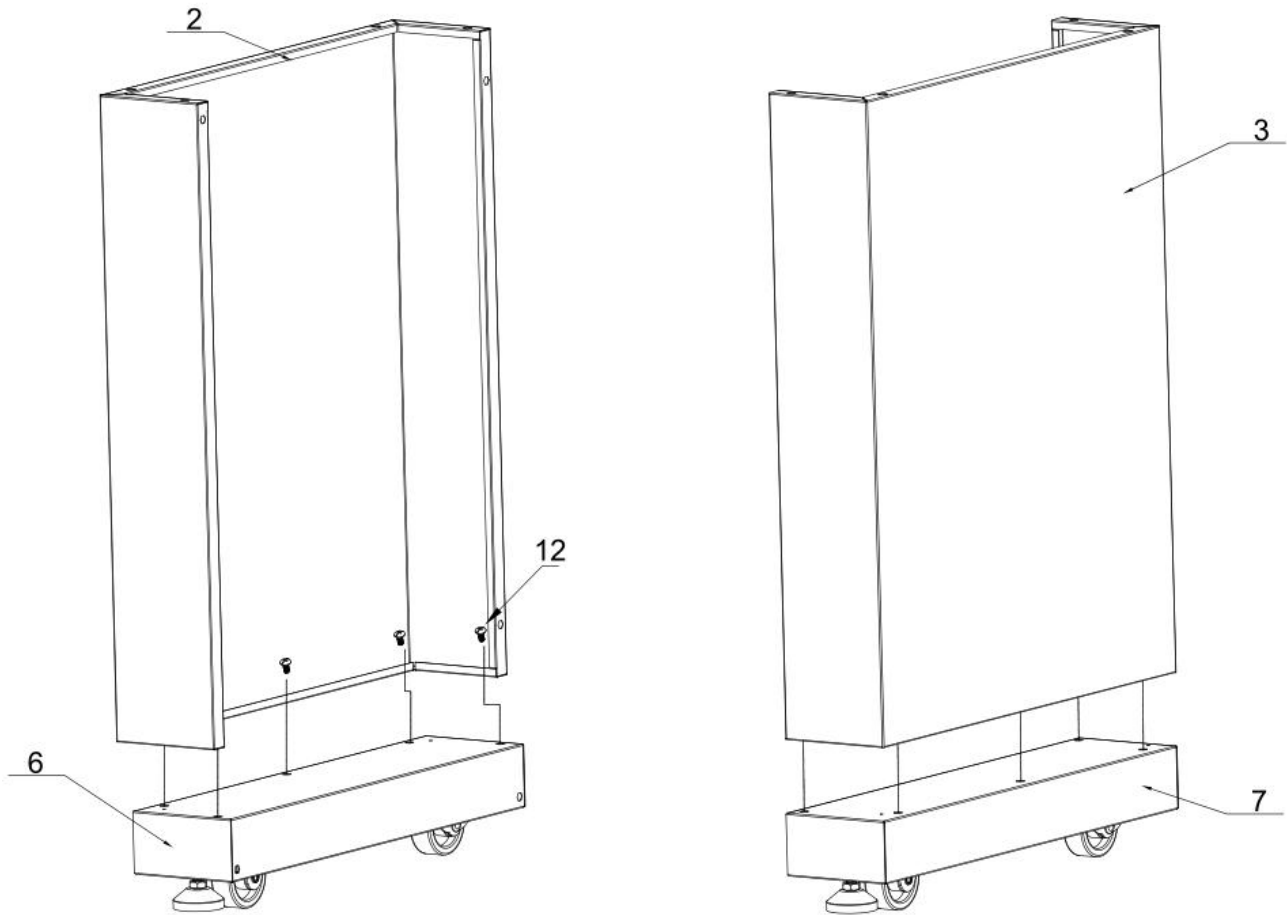
### Step 1

1. Install 2 pcs Supporting Leg (Part # 10) to bottom right welding assembly (Part # 6) and bottom left welding assembly (Part # 7). Use hand to adjust the supporting leg to the suitable position;
2. Use 16 pcs ¼" flat Philip's head screw (Part # 12) to connect 2 pcs fixed caster (Part # 9) and 2 pcs universal casters (Part # 8) to Part #6 and #7.



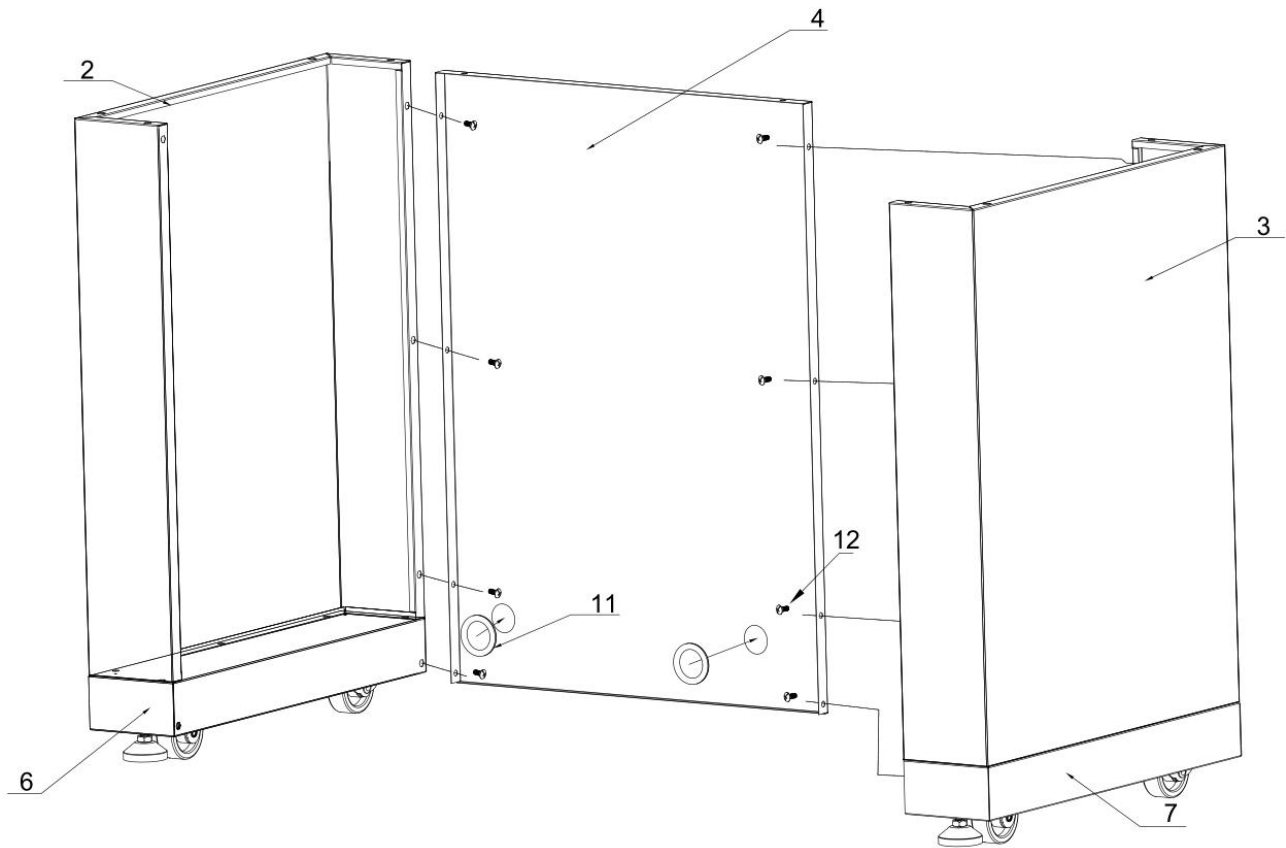
## Step 2

1. Use 5 pcs ¼" flat Philip's head screws (part # 12) to connect left side panel (Part # 2) to Part #6;
2. Use 5 pcs ¼" flat Philip's head screws (part # 12) to connect right side panel (Part # 3) to Part #7;
3. Do not over-tighten all the screws until parts are lined up.



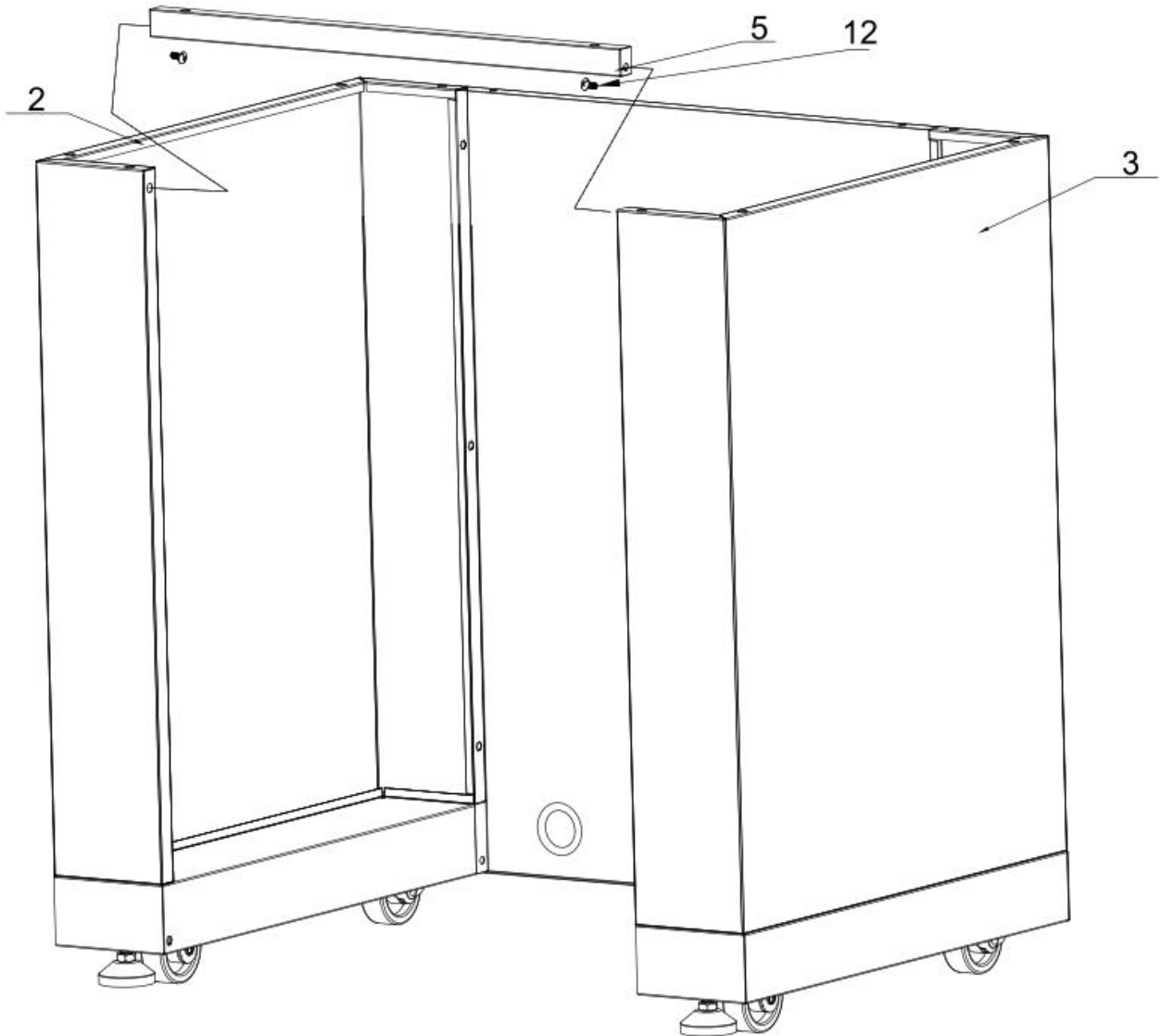
### Step 3

1. Install 2 pcs rubber gaskets (Part # 11) to Back Panel (Part # 4);
2. Use 4 pcs ¼" flat Philip's head screws (Part # 12) to connect Part #4 to Part #2 and #6;
3. Use 4 pcs ¼" flat Philip's head screws (Part # 12) to connect Part #4 to Part #3 and #7;
4. Do not over-tighten all the screws until parts are lined up.



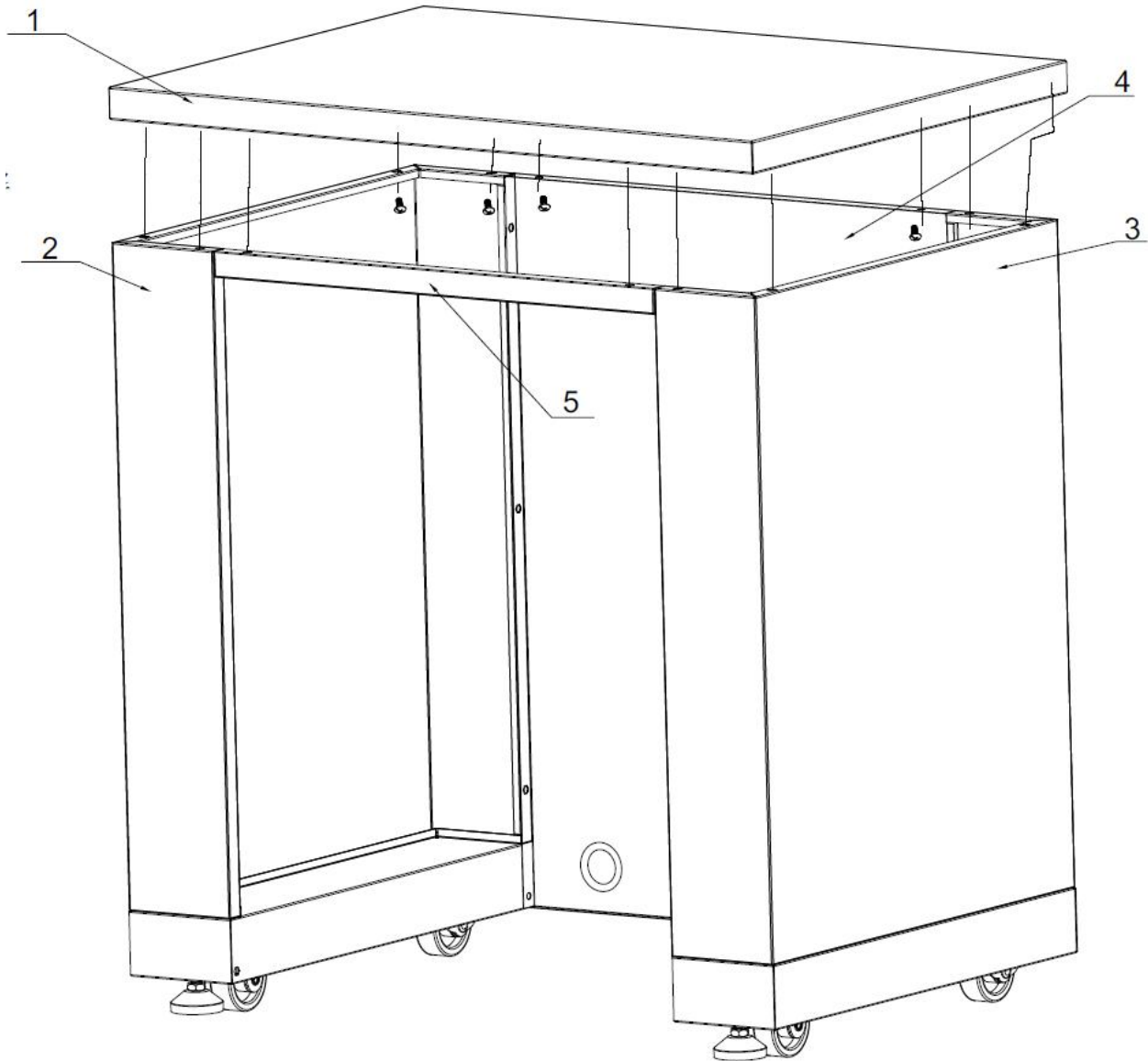
#### Step 4

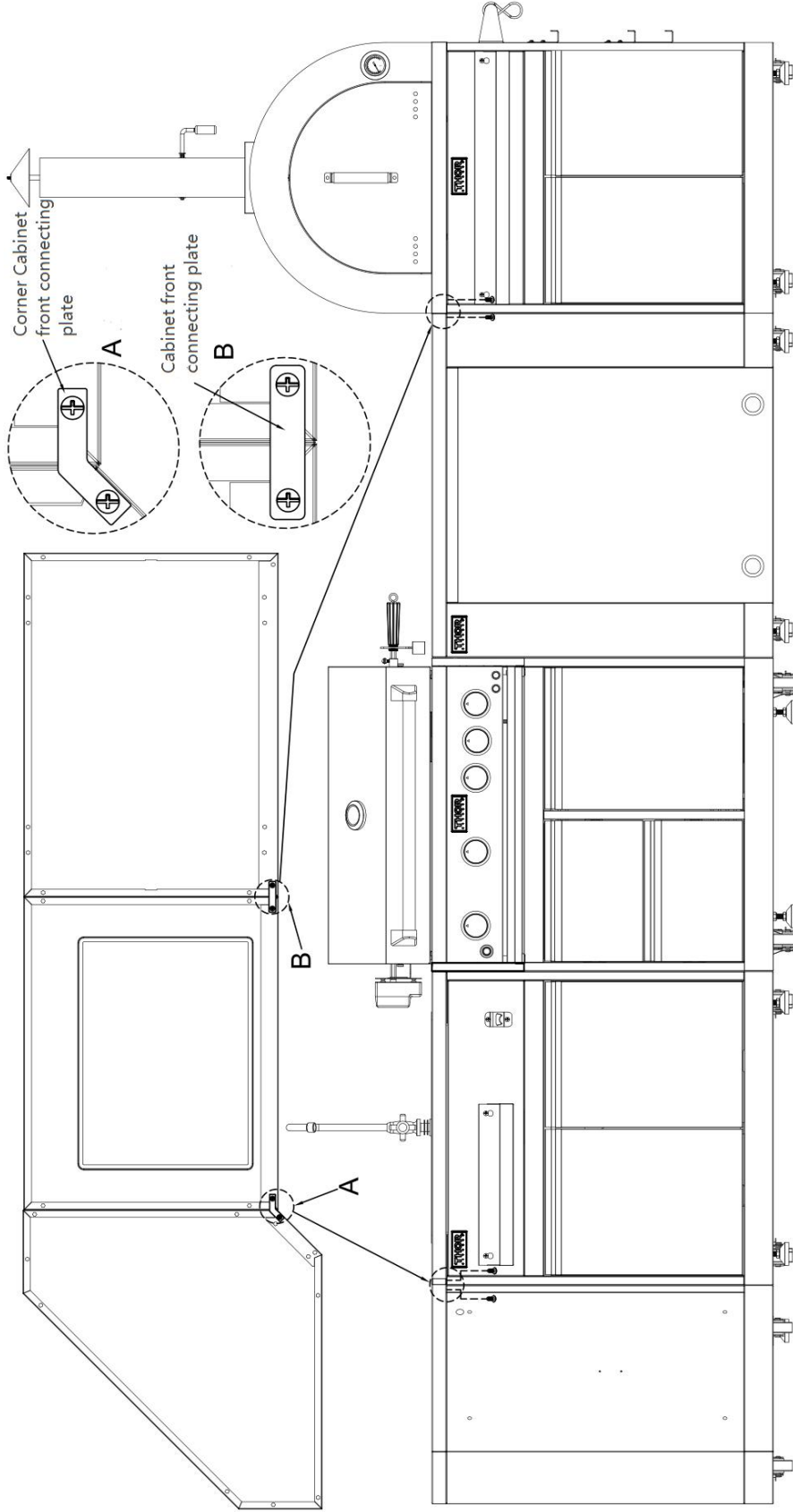
1. Use 2 pcs ¼" flat Philip's screw head (Part # 12) to connect beam welding assembly (Part # 5) to Part #2 and #3;
2. Make sure the connection is smooth. Do not over-tighten all the screws until parts are lined up.



### Step 5

1. Use 12 pcs ¼" flat Philip's screw head (Part # 12) to connect top cover board (Part # 1) with Part #2, #3, #4 and #5
2. Make sure the connection is smooth. Do not over-tighten all the screws until parts are lined up.

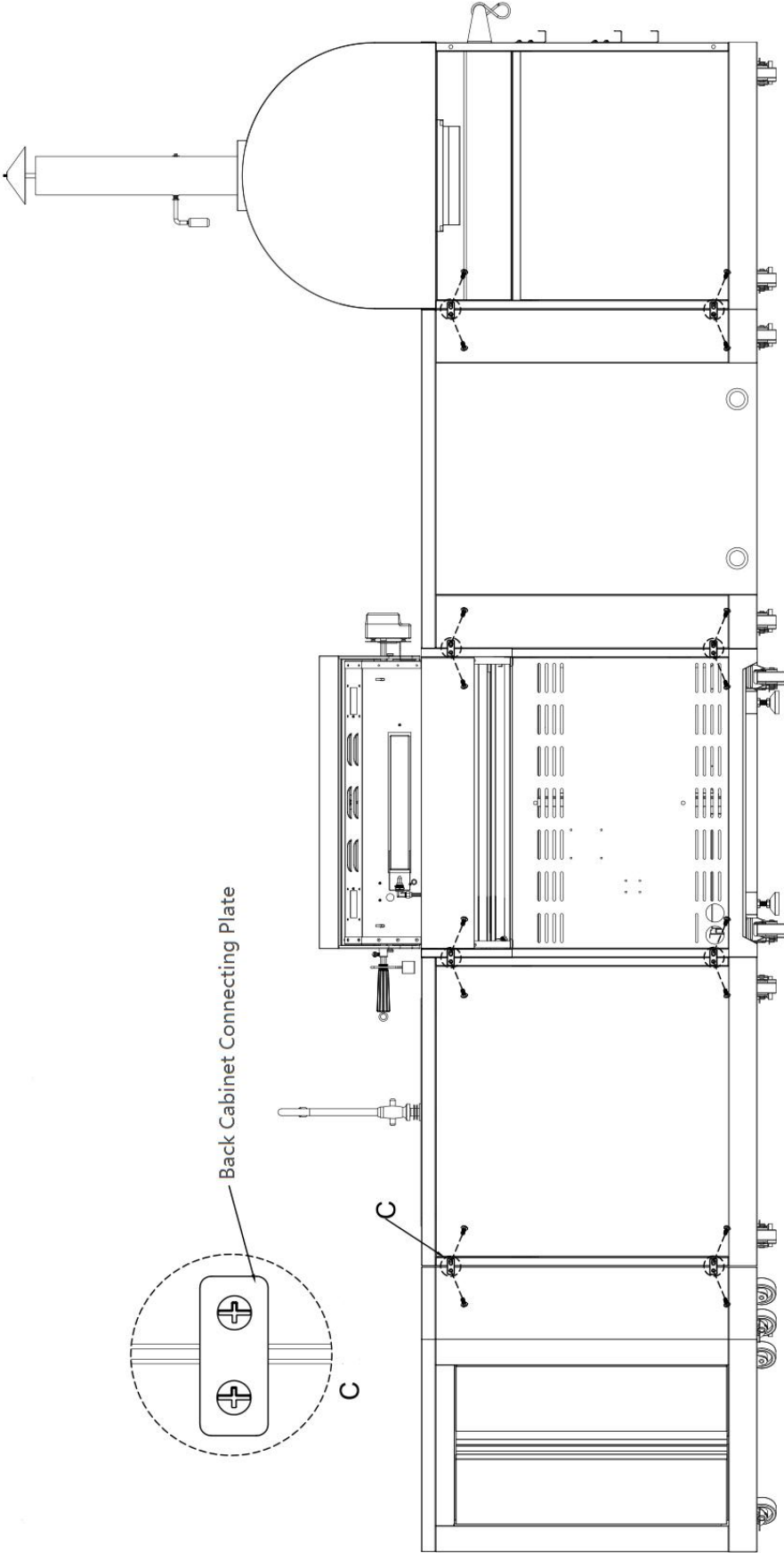




You Thor Kitchen Outdoor Cabinet could be connected with any other Thor Kitchen Our Door Cabinet models.

If you are having a Corner Cabinet and you would like to connect it to another cabinet, use corner cabinet connecting plate with 2 pcs ¼" screws (Part # 06.02.00093-000-A0) to connect both cabinets;

If you are having a Sink Cabinet, Appliance Cabinet or Pizza oven Cabinet, use cabinet connecting plate with 2 pcs ¼" screws to connect both cabinets.



You Thor Kitchen Outdoor Cabinet could be connected with any other Thor Kitchen Our Door Cabinet models.  
For Back Panel Connections, use Back Cabinet connecting plate with 2 pcs 1/4" screws (Part # 06.02.00093-000-A0) to connect both Cabinets.

Your Thor Kitchen Appliance Cabinet is compatible with below Thor Kitchen Outdoor Appliances. Please contact your dealer for product inquiries or email [sales@thorgroup.us](mailto:sales@thorgroup.us).

Model # TRF2401U (Outdoor Two-drawer under cabinet refrigerator)

Model# :TRF2401U

Product Description: THOR  
Kitchen 24 inch Indoor/Outdoor  
Undercounter Refrigerator Drawer



Refrigerator Size	24"	Number of Drawer	2
Product Width(in)	23.5 inch	Minimum Side Air Clearance (In)	0.8 inch
Product Depth(in)	23.4 inch	Minimum Back Air Clearance (In)	2 inch
Product Height(in)	34.2 inch	Gross Weight(lb.)	126 lb
Depth Excluding Handles(in)	25.9 inch	Net Weight(lb.)	114 lb
Depth Including Handles	23.4 inch	Temperature Range	34-46°F
Depth without Door	21.4 inch	Color/Finish	Black cabinet, stainless steel door
Depth with Door Open 90 Degrees	NA	Certifications	ETL
Height to Top of Door Hinge	34.2 inch	UPC #	6926697015643
Height to Top of Case	34.2 inch	Refrigerator Capacity	152 L
Refrigerator Type	R600A	Features	Next Page

Model# :TRF2401U

Features	<ul style="list-style-type: none"> <li>• Convection cooling system provides a quick cool down and consistent temperature</li> <li>• Digital touch pad control with blue LED display</li> <li>• Stainless steel cabinet</li> <li>• Bright white LED light for both drawers</li> <li>• Two full-extension stainless steel drawer</li> <li>• Built-in or freestanding</li> <li>• Four adjustable leveling legs</li> <li>• Available for both Indoor/Outdoor</li> <li>• Noise Level:41db</li> <li>• Anti-fingerprint surface</li> <li>• Stainless-steel basket and Silicone pad available</li> </ul>
----------	--



Temp range	34-46°F	Outdoor or indoor	Indoor and Outdoor
LED light	white led light	Shipping Dimension	25.3"(W)X26"(D)X35.5"(H)



## Model # TWC2401DO (Outdoor Wine Cooler)

**THOR**  
KITCHEN®

**Model# TWC2401DO**  
Product Description: 24-inch  
Outdoor Dual Zone Wine  
Cooler



Wine Cooler Size	24"	Number of Shelves	5+1
Product Width(in)	23.43	Wine Cooler Shelf Material	Beech wood
Product Depth(in)	23.82	Number of Doors	1
Product Height(in)	34.25	Temperature Range (F)	41-64°F / 5-18°C
Depth Excluding Handles(in)	23.82	Color/Finish	S.S housing and S.S. door trims
Depth Including Handles	25.39	Type of Cooling Unit	No Frost
Depth without Door	22.05	Voltage(volts)	110V-120V/60Hz
Depth with Door Open 90 Degrees	46.06	Gross Weight (lb.)	152
Height to Top of Door Hinge	34.25	Net Weight (lb.)	130
Wine Cooler Type	Built-in or Freestanding, indoor or outdoor use	Certifications	Residential ETL/CEC
Adjustable Racks	No (with rolling slideways)	UPC #	6926697022221
Bottle Capacity	46	Shipping Dimension	H39.69*W29.72*D30.16in
Defrost Type	Automatic	Features	See next page



### Features:

- 46 bottles capacity (5.43 cu.ft.)
- Indoor or outdoor use wine cooler
- Thunder proof and waterproof
- Independent dual zone (each zone reach 41°F - 64°F)
- Fan assisted cooling
- Seamless S.S door frame (60mm) with S.S. handle(304SS)
- SS Compressor Rear Cover (304SS)
- Dual pane of Low-E glass to filter UV rays
- Reversible door (180° flip-over)
- S.S. exterior housing and rear plate (304SS)
- S.S. vent kickplate
- 5+1 beech wood rolling shelves with rolling slideways(Full Extension)
- LCD display with 2pcs blue lightings on top
- Adjustable electronic touch control C° or F°
- Door opening alarm
- Temperature alarm
- Activated charcoal filters (2pcs)
- Heating elements for winter function
- 4pcs adjustable feet
- 4pcs casters available for an additional cost
- No frost
- 2pcs evaporators for accurate temperature control
- Self contained condenser
- Refrigerant: R600a