

REMINGTON

8' ELECTRIC TELESCOPING POLE SAW

INTRODUCTION

Your Remington Telescoping Pole Saw is a dual purpose product. The electric chain saw is a separate operating unit when not assembled to the telescoping pole. Before operating either the chain saw or the Pole Saw, make certain you read and understand all Safety Warnings.

SAFETY WARNINGS

Make certain you read and understand all Safety Warnings on pages 2 and 3. Improper use of this Pole Saw can cause severe injury or death from fire, electrical shock, body contact with moving chain, or falling wood.

BEFORE OPERATING SAW

1. Read and understand both chain saw and Pole Saw manuals before operating saws.
2. Watch what you are doing. Use common sense. Do not operate saw when you are tired.
3. Use chain saw for cutting wood only. Do not use chain saw for purpose not intended. Do not use for cutting non-wood items.
4. Only well-instructed adults should operate Pole Saw or chain saw. Never allow children to operate saws.
5. Use only electrical voltage noted on model plate of chain saw.
6. Use only extension cords marked for outdoor use. See *Operating Chain Saw* section of chain saw manual for extension cord requirements.
7. Do not operate Pole Saw or chain saw
 - while under the influence of alcohol, medication, or drugs
 - in rain or in damp or wet areas
 - where highly flammable liquids or gases are present
 - if pole or saw is damaged, adjusted wrong, or not fully and securely assembled

- if trigger does not turn saw on and off. Chain must stop moving when you release trigger. Have faulty switch replaced by authorized service center. See chain saw manual for listing of authorized service centers.
 - while in a hurry
 - while in tree or on a ladder
 - while on aerial booms, buckets or platforms
8. Wear snug-fitting clothes when operating Pole Saw or chain saw. Do not wear loose clothing or jewelry. They can get caught in moving saw chain.
 9. Wear the following safety gear when operating saws:
 - heavy-duty gloves (wear rubber gloves when working outdoors)
 - steel-toed safety footwear with non-skid soles
 - eye protection such as safety glasses, goggles, or face screen
 - safety hard hat
 - ear muffers or ear plugs
 - hair covering to contain long hair
 - face or dust mask (if working in dusty areas)
 10. Before cutting, always provide the following:
 - clear work area
 - secure footing
 - planned retreat path from falling limbs
 11. Inspect tree before trimming. Make allowance for branches to fall freely to the ground.
 12. Do not use your Pole Saw to fell saplings. Use the chain saw without pole attachment.
 13. To reduce the risk of electric shock, this saw has a polarized plug (one blade is wider than the other). This plug will fit in a polarized outlet only one way. If the plug does not fit fully in the outlet of your extension cord, reverse the plug. If it still does not fit, a polarized extension cord will be necessary. Do not change the plug in any way.

WHILE OPERATING POLE SAW

1. Stay alert. Use common sense while operating the unit.
2. Keep work area clean. Cluttered areas invite injuries.

3. Be aware of extension cord while operating chain saw. Be careful not to trip over cord. Keep cord away from chain and operator at all times.
4. Keep children, animals, and bystanders away from Pole Saw and extension cord. Only Pole Saw user should be in work area.
5. Do not use the Pole Saw to cut down trees. Use the chain saw without pole attachment and only if you are trained or have expert help.
6. Do not use near power lines. Keep at least 10 feet away from electrical lines.
7. Grip Pole Saw securely - one hand on the pole, the other on the handle.
8. Keep finger off trigger until ready to make cut.
9. Before starting Pole Saw, make sure chain is not touching anything.
10. To guard against electrical shock, avoid body contact with grounded objects such as pipes, fences, and metal posts.
11. Keep all parts of body away from chain when saw is running.
12. Do not force chain saw while cutting. Apply light pressure. It will do the job better and safer at the rate for which it was intended.
13. When cutting limb or tree trunk that is under tension, use extreme caution. Be alert for wood springing back. When wood tension is released, limb could spring back and strike operator causing severe injury or death.
14. Carry Pole Saw from one place to another
 - with unit unplugged
 - with telescoping pole returned to shortest position
 - by holding pole at balance point (close to saw end)
 - with guide bar and chain to rear
15. Do not cut small brush and saplings with the Pole Saw. Use the chain saw only, with extreme care. Slender matter may catch in the chain and be whipped toward you. This could also pull you off balance.

SAFETY WARNINGS

continued

KICKBACK

⚠ WARNING: Kickback may occur when the nose or tip of the guide bar touches an object, or when the wood closes in and pinches the saw chain in the cut. Tip contact in some cases may cause a lightning fast reverse reaction, kicking the guide bar up and back towards the operator. Pinching the saw chain along the top of the guide bar may push the guide bar rapidly back towards the operator. Either of these reactions may cause you to lose control of the saw which could result in serious injury to user.

Kickback Safety Devices On This Saw

This saw has a low-kickback chain and reduced kickback guide bar. Both items reduce the chance of kickback, however, kickback can still occur with this saw.

The following steps will reduce the risk of kickback.

- Use both hands - one gripping the handle and the other gripping the pole. Use firm grip. Thumbs and fingers must wrap around pole and handle.
- Keep all safety items in place on saw. Make sure they work properly.
- Do not overreach or extend arms above shoulder height.
- Keep solid footing and balance at all times.
- Never try cutting through two branches at the same time. Only cut one at a time.
- Do not bury guide bar nose or try plunge cut (boring into wood using guide bar nose).
- Watch for shifting of wood or other forces that may pinch chain.
- Use extreme caution when re-entering a previous cut.

- Use low-kickback chain and guide bar supplied with the chain saw. Only use replacement parts listed for the pole saw.
- Never use dull or loose chain. Keep chain sharp and adjusted correctly.

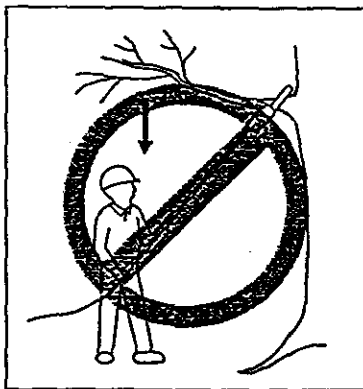
Saw Maintenance and Kickback Safety

Follow maintenance instructions in the chain saw manual. Proper cleaning of saw and chain and guide bar maintenance can reduce chances of kickback. Inspect and maintain saw after each use. This will increase the service life of your saw. *Note:* Even with proper sharpening, risk of kickback can increase with each sharpening.

MAINTENANCE AND STORAGE OF POLE SAW

Unplug Pole Saw from power source and follow maintenance and storage procedures outlined in the *Maintenance and Storage* section of your chain saw manual.

POLE SAW TRIMMING PRECAUTIONS



Never stand directly under the limb you are trimming. Always position yourself out of the path of falling debris.



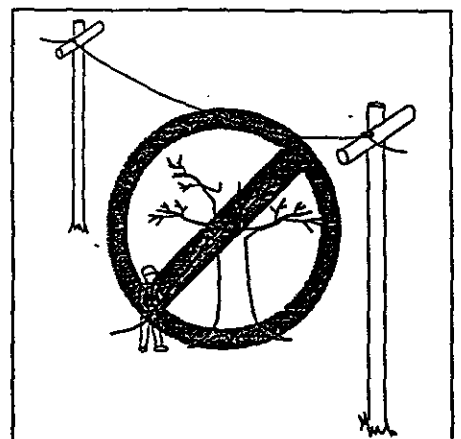
Never stand on a ladder or other type of unstable support while using the Pole Saw.

Always use both hands to operate Pole Saw. Keep a firm, steady pressure on the Pole Saw while cutting but do not try to force the saw through the wood.

Do not use the Pole Saw to cut limbs larger in diameter than the length of the guide bar.



Keep other persons away from cutting end of polesaw and at a safe distance from work area.



Do not use Pole Saw near cable, electric power or telephone lines. Maintain a minimum clearance of 10 feet from all power lines.

REMINGTON

8' ELECTRIC TELESCOPING POLE SAW

PRODUCT IDENTIFICATION

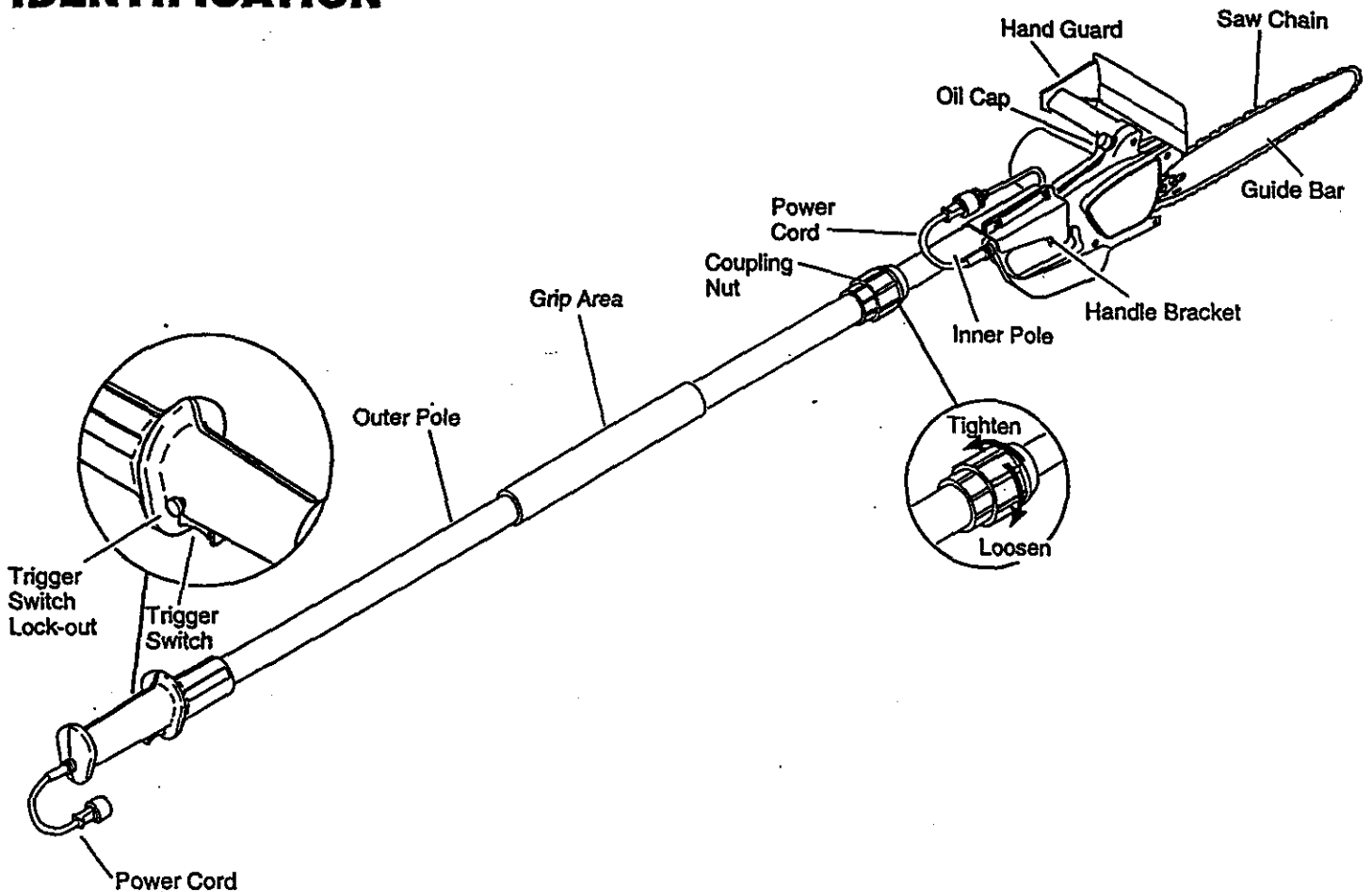


Figure 1 - Pole Saw Product Identification

POLE SAW NAMES AND TERMS

Coupling Nut Threaded collar (loosen to slide inner pole, tighten to hold pole in position).

Guide Bar Metal bar that extends from saw body. The guide bar supports and guides chain.

Inner Pole The moveable section of tubing to which the saw is attached.

Kickback Quick backward and upward motion of guide bar. Kickback may occur when tip of guide bar touches an object while chain is moving. The guide bar will kick up and back towards operator.

Oiler Control System for oiling guide bar and chain.

Outer Pole Retains the moveable inner pole.

Saw Chain (Chain) Loop of chain having cutting teeth for cutting wood. The motor drives chain. The guide bar supports chain.

Sprocket Toothed wheel that drives chain.

Switch Device that completes or interrupts electrical circuit to motor of saw.

Switch Lockout Device that reduces accidental starting of saw.

Trigger Device that turns saw on and off. Squeezing trigger turns saw on.

Releasing trigger turns saw off.

Trimming (Pruning) Process of cutting limb(s) from a living tree.

Undercut An upward cut from underside of log or limb. This is done while in normal cutting position and cutting with top of guide bar.

UNPACKING

1. Remove all items from carton.
2. Check all items for any shipping damage. If you find any damage or if any parts are missing, promptly inform dealer where you bought the Pole Saw.

ASSEMBLY

The plastic hardware bag for the Pole Saw should include the following:

CHAIN SAW HARDWARE

- (2) Guidebar bolts
- (2) Guidebar nuts
- (1) Phillips self tapping screw
- (1) Saw chain
- (1) Guide bar
- (1) Hand guard
- (1) Scabbard

POLE SAW HARDWARE

- (1) Handle bracket
- (4) #10 x 24 Phillips screws
- (4) #10 lockwashers

ASSEMBLY OF CHAIN SAW

Assemble the chain saw before assembling the pole. Refer to chain saw manual for assembly instructions.

CAUTION: Do not place chain on saw backwards. If chain is backwards, saw will vibrate badly and will not cut.

Make sure cutting edges of chain are facing in the right direction. Position chain so cutting edges on top of guide bar face guide bar nose (see Figure 2).

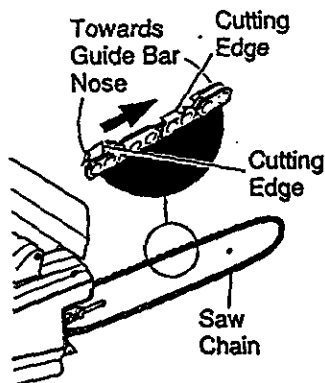


Figure 2 - Chain Position

SAW CHAIN TENSION ADJUSTMENT

WARNING: Maintain proper chain tension. A loose chain will increase the risk of kick back. A loose chain may jump out of guide bar groove. This may injure operator and damage chain. A loose chain will cause chain, guide bar and sprocket to wear rapidly.

1. To adjust chain tension, make sure guide bar nuts are only finger tight. Also make sure adjusting block is in oval adjusting hole on guide bar.
2. Turn adjusting screw clockwise until all slack is out of chain. *Note:* There should be no gap between side links of chain and bottom of guide bar.
3. Wearing protective gloves, move chain around guide bar. Chain should move freely. If chain does not move freely, loosen chain by turning adjusting screw counterclockwise.
4. After chain tension is correct, tighten guide bar nuts firmly. If not, guide bar will move and loosen chain tension. This will increase the risk of kickback. This can also damage saw.

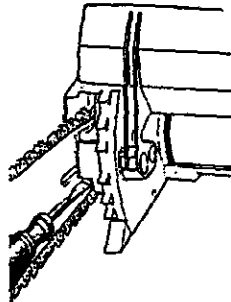


Figure 3 - Turning Adjusting Screw

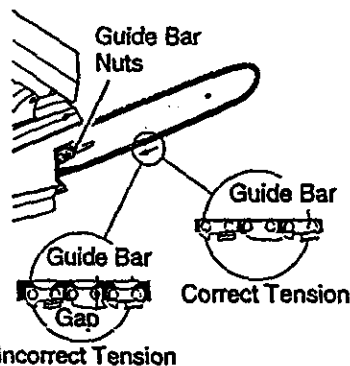


Figure 4 - Saw Chain Adjustment

ASSEMBLY OF POLE SAW

1. Slip handle bracket over chain saw handle from the right side (see Figure 5). *Note:* The trigger must be depressed before the bracket will go onto the handle. Push the lockout button and depress the trigger. While holding the trigger in, place the trigger support portion of the bracket under the trigger and slide the bracket onto the chain saw handle. The bracket will keep the trigger in the "on" position.
2. Align holes in pole bracket with holes in handle bracket. Install Phillips head screws with lockwashers through pole bracket from left side and thread into the weld nuts on the handle bracket. Tighten screws securely by hand.
3. Plug the saw power cord into receptacle cord at end of inner pole.

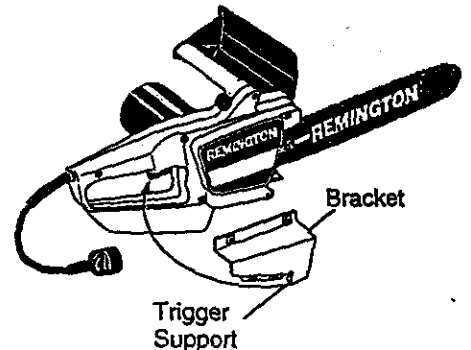


Figure 5 - Bracket with Trigger Support

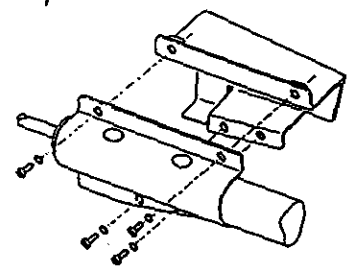


Figure 6 - Assembly of Pole Saw Bracket

REMINGTON

8' ELECTRIC TELESCOPING POLE SAW

OPERATING POLE SAW

⚠ WARNING: Read and understand this owner's manual before operating this Pole Saw. Make certain you read and understand all Safety Warnings. Improper use of this Pole Saw can cause severe injury or death from fire, electrical shock, or body contact with moving chain, or falling wood.

EXTENSION CORDS

Use proper extension cords with this Pole Saw. Use only extension cords marked for outdoor use. The cord must be marked with suffix W or W-A following the cord type designation. Example: SJTW-A or SJTW.

Use proper size cord with this saw. Cord must be heavy enough to carry current needed. An undersized cord will cause voltage drop at saw. Saw will lose power and overheat. Follow cord size requirements listed below.

Cord Length	AWG cord size
25 feet	16
50 feet	16
100 feet	14
150 feet	12

Keep cord away from cutting area. Make sure cord does not catch on branches or logs during cutting. Inspect cords often. Replace damaged cords. The extension cord may come undone from the power cord during use. To avoid this, make a knot with the two cords as shown in Figure 7.

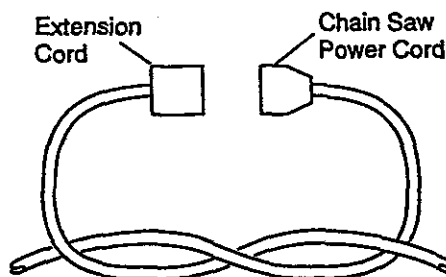


Figure 7 - Tying Extension Cord and Power Cord In Knot

ADJUSTING POLE LENGTH

The Remington Pole Saw has a telescoping pole assembly that will extend from 57 inches (fully retracted) to 96 inches (fully extended). A threaded compression coupling is used to hold the pole in position at any extended length.

1. To extend the pole, loosen coupling by turning coupling nut counterclockwise as shown in Figure 8. Pole will slide freely.
2. Pull inner pole section out to desired length of extension. *Note:* Only extend pole to minimum length required to reach limb that is being cut.
3. To lock pole in position, tighten coupling by turning coupling nut clockwise (see Figure 8) until firmly hand tight. Make sure saw handle is aligned with pole handle before tightening coupling nut. **IMPORTANT:** Do not use wrench or pliers to overtighten coupling. Damage to coupling or pole may result.

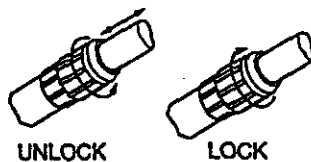


Figure 8 - Extending Telescopic Pole

OILING CHAIN

To oil chain, press oil cap. Oil will feed onto guide bar and chain. Press oil cap at least once before each cut. Always check oil level before using Pole Saw. Check oil level often by looking at oil sight level hole. Oil sight level hole is on left side of saw, between front handle and front hand guard. Do not attempt to operate the oiler while cutting with the Pole Saw.

CUTTING WITH THE POLE SAW

1. Connect saw to extension cord. Connect extension cord to power supply.
2. Use both hands to grip Pole Saw. Use only designated grip areas when operating Pole Saw (see Figure 9). Use firm grip. Thumbs and fingers must wrap around Pole Saw handle and pole.
3. Make sure your footing is firm. Keep feet apart. Divide your weight evenly on both feet.
4. When ready to make a cut, press in trigger switch lock-out and squeeze trigger switch (see Figure 10). This will turn Pole Saw on. Releasing trigger switch will turn Pole Saw off. Make sure saw is running at full speed before starting a cut.
5. When starting a cut, place moving chain against wood. Hold Pole Saw firmly in place to avoid possible bouncing or skating (sideways movement) of saw.
6. Guide Pole Saw using light pressure. Do not force Pole Saw. The motor will overload and can burn out. It will do the job better and safer at the rate for which it was intended.
7. Remove Pole Saw from a cut with saw running at full speed. Stop Pole Saw by releasing trigger. Make sure chain has stopped before setting Pole Saw down.



Figure 9 - Designated Grip Areas

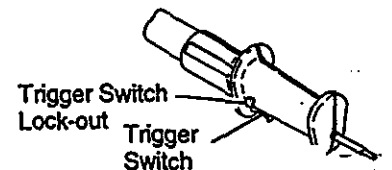


Figure 10. Pole Saw Handle with Trigger Switch Lock-out

OPERATING POLE SAW

Continued

TRIMMING A TREE (PRUNING)

⚠ WARNING: Avoid kickback. Kickback can result in severe injury or death. See *Kickback*, page 3, to avoid risk of kickback.

⚠ WARNING: Do not operate Pole Saw while in a tree, on a ladder or any other unstable work surface, or in any awkward position. You may lose control of Pole Saw causing severe injury.

⚠ WARNING: Do not extend arms above shoulders when using Pole Saw.

⚠ CAUTION: Seek professional help if facing conditions beyond your ability.

Trimming a tree is the process of cutting limbs from a living tree. Make sure footing is firm. Keep feet apart. Divide your weight evenly on both feet.

1. Make first cut six inches from tree trunk on underside of limb. Use top of guide bar to make this cut. (Cut 1/3 through diameter of limb, see figure 11).
2. Move two to four inches farther out on limb. Make second cut from above limb. Continue cut until you cut limb off.
3. Make third cut as close to tree trunk as possible on underside of limb stub. Use top of guide bar to make this cut. Cut 1/3 through diameter of stub.
4. Make fourth cut directly above third cut. Cut down to meet third cut. This will remove limb stub.

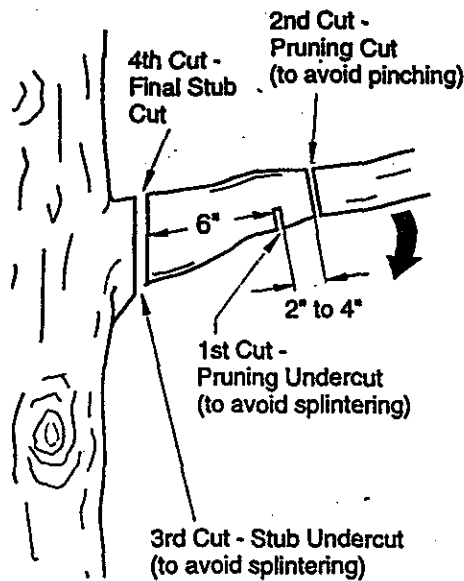


Figure 11 - Cutting A Limb

CONTENTS

SECTION	PAGE
Safety Warnings	2
Before Operating Chain Saw	2
Kickback	3
Pushback and Pull-in	4
Chain Saw Operation	5
Maintenance and Storage of Chain Saw	5
Product Identification	6
Chain Saw Names and Terms	7
Unpacking	8
Assembly	8
Saw Chain Tension Adjustment	10
Filling Oil Tank	11
Operating Chain Saw	12
Extension Cords	12
Oiling Chain	12
Cutting With the Chain Saw	13
Trimming a Tree	14
Felling a Tree	15
Limbing a Tree	17
Bucking a Log	18
Cleaning and Maintenance	20
Cleaning Saw Body	20
Care of Guide Bar	20
Sharpening Your Saw Chain (Non-Fast Sharp Model)	21
Sharpening Your Saw Chain (Fast Sharp Model)	24
Storage	25
Troubleshooting	26
Technical Service	27
Service Publications	27
Repair Service	27
Replacement Parts and Accessories	28
Part Centrals	29
Authorized Service Centers	29
Warranty Information	Back Cover



SAFETY WARNINGS

Make certain you read and understand all Safety Warnings on pages 2 through 5. Improper use of this chain saw can cause severe injury or death from fire, electrical shock, body contact with moving chain, or falling wood.

BEFORE OPERATING CHAIN SAW

1. Read and understand this owner's manual before operating chain saw.
2. Use chain saw for cutting wood only. Do not use for cutting any non-wood items.
3. Only well-instructed adults should operate chain saw. Never allow children to operate chain saw.
4. Use only electrical voltage noted on model plate of chain saw.
5. Use only extension cords marked for outdoor use. See page 12 for extension cord requirements.
6. Do not operate chain saw.
 - while under the influence of alcohol, medication, or drugs
 - in rain or in damp or wet areas
 - where highly flammable liquids or gases are present
 - if saw is damaged, adjusted wrong, or not fully assembled
 - if trigger does not turn saw on and off. Chain must stop moving when you release trigger. Have faulty switch replaced by authorized service center. See page 29 for your nearest authorized service center.
 - while tired or in a hurry
 - while in tree or on a ladder unless trained to do so



SAFETY WARNINGS

Make certain you read and understand all Safety Warnings on pages 2 through 5. Improper use of this chain saw can cause severe injury or death from fire, electrical shock, body contact with moving chain, or falling wood.

7. Wear snug-fitting clothes when operating chain saw. Do not wear loose clothing or jewelry. They can get caught in moving saw chain.
8. Wear the following safety gear when operating chain saw.
 - heavy-duty gloves (wear rubber gloves when working outdoors)
 - steel-toed safety footwear with non-skid soles
 - eye protection such as safety glasses, goggles, or face screen
 - safety hard hat
 - ear muffers or ear plugs
 - hair covering to contain long hair
 - face or dust mask (if working in dusty areas)
9. Before cutting, always provide the following:
 - clear work area
 - secure footing
 - planned retreat path from falling tree
10. Inspect tree before cutting down. Make sure there are no dead limbs or branches that may fall on you.

KICKBACK

Avoid Kickback. Kickback can cause you to lose control of chain saw. Kickback can cause severe injury or death.

Kickback Safety Devices On This Saw

This saw has a low-kickback chain and reduced kickback guide bar. Both items reduce the chance of kickback. Kickback can still occur with this saw. Do not let tip of guide bar touch anything when chain is moving.

Properly install front hand guard. This item can reduce injuries from kickback. Follow assembly instructions on page 8. Do not remove front hand guard. Do not replace front hand guard with substitute.

Cause Of Kickback

Kickback may occur when nose or tip of guide bar touches an object while chain is moving. If chain cutter catches on object, a sudden reverse action will result. The guide bar will kick up and back towards operator.

Kickback may also occur when wood pinches chain at guide bar nose. A sudden reverse action will also result.

The following steps will reduce the risk of kickback.

- Use both hands to grip saw while saw is running. Use firm grip. Thumbs and fingers must wrap around saw handles.
- Keep all safety items in place on saw. Make sure they work properly.
- Do not overreach or cut above shoulder height.
- Keep solid footing and balance
- Stand slightly to left side of saw. This keeps your body from being in direct line with chain.

Continued



SAFETY WARNINGS

Make certain you read and understand all Safety Warnings on pages 2 through 5. Improper use of this chain saw can cause severe injury or death from fire, electrical shock, body contact with moving chain, or falling wood.

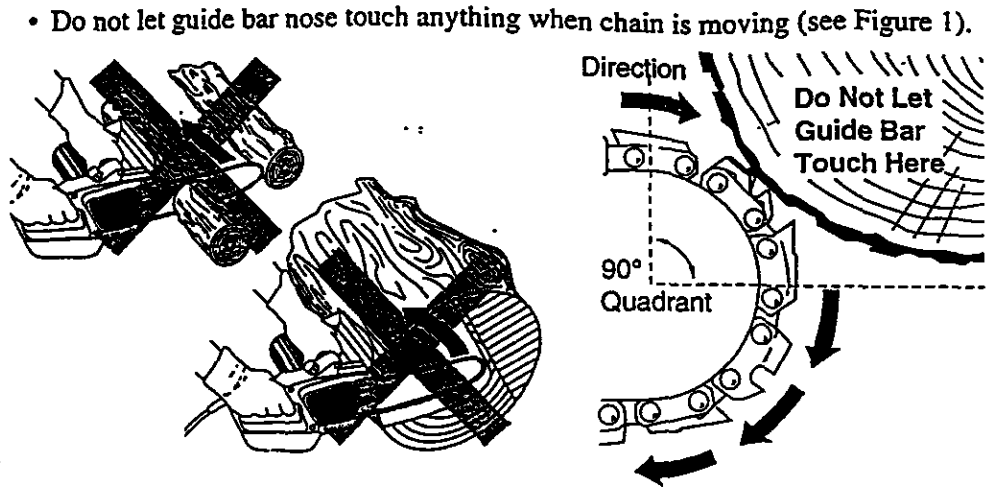


Figure 1 - Kickback Hazard Example.

Do Not Let Nose of Guide Bar Touch Object While Chain is Moving

- Never try cutting through two logs at same time. Only cut one log at a time.
- Do not bury guide bar nose or try plunge cut (boring into wood using guide bar nose).
- Watch for shifting of wood or other forces that may pinch chain.
- Use extreme caution when re-entering a previous cut.
- Use low-kickback chain and guide bar supplied with this chain saw. Only replace these parts with chains and guide bars listed in this manual.
- Never use dull or loose chain. Keep chain sharp with proper tension.
- Do not hand sharpen chain on automatic chain sharpening (Fast Sharp) models.

Saw Maintenance and Kickback Safety

Follow maintenance instructions in this manual. Proper cleaning of saw and chain and guide bar maintenance can reduce chances of kickback. Inspect and maintain saw after each use. This will increase the service life of your saw. *Note:* Even with proper sharpening, risk of kickback can increase with each sharpening.

PUSHBACK AND PULL-IN

Avoid pushback and pull-in. These hazards can cause you to lose control of chain saw. Pushback or pull-in can cause severe injury.

Cause Of Pushback and Pull-In

Pushback may occur while cutting with top of guide bar. Pushback will force saw back towards you. Pull-in may occur while cutting with bottom of guide bar. Pull-in will force saw in towards wood you are cutting. These hazards can occur if chain is pinched, caught, or contacts a non-wood object.

The following steps will reduce the risk of pushback or pull-in.

- Use both hands to grip saw while saw is running. Use firm grip. Thumbs and fingers must wrap around saw handles.
- Do not overreach or cut above shoulder height.
- Keep solid footing and balance.
- Stand slightly to left side of saw. This keeps your body from being in direct line with chain.
- Have saw running at full speed before starting a cut.
- When cutting, make sure spike of saw is against wood (pull-in only). See *Product Identification*, page 6, to locate spike.
- Never try cutting through two logs at same time. Only cut one log at a time.
- Watch for shifting of log or other forces that may pinch chain.
- Use extreme caution when re-entering a previous cut.
- Do not twist saw when removing guide bar from undercut.
- Use wedges made of plastic, wood, or light alloy (never steel or iron) to hold cut open.



SAFETY WARNINGS

Make certain you read and understand all Safety Warnings on pages 2 through 5. Improper use of this chain saw can cause severe injury or death from fire, electrical shock, body contact with moving chain, or falling wood.

CHAIN SAW OPERATION

1. Stay alert. Use common sense while operating chain saw.
2. Keep work area clean. Cluttered areas invite injuries.
3. Be aware of extension cord while operating chain saw. Be careful not to trip over cord.
4. Keep children, animals, and bystanders away from chain saw and extension cord. Only chain saw user should be in work area.
5. Do not cut down a tree unless you are trained or have expert help.
6. If two or more persons perform bucking and felling operations at the same time, provide plenty of distance between operations. Provide distance of at least twice the height of tree being felled.
7. Secure wood you are cutting by using clamps or chocks.
8. Grip chain saw firmly with both hands. Never operate chain saw with one hand. Never use hand guard as handle.
9. Keep finger off trigger until ready to make cut.
10. Before starting chain saw, make sure chain is not touching anything.
11. Avoid body contact with grounded objects such as pipes, fences, and metal posts.
12. Keep all parts of body away from chain when saw is running.
13. Do not force chain saw while cutting. Apply light pressure.
14. Cut small brush and saplings with extreme care. Slender material may catch in chain and be whipped toward you. This could also pull you off balance.
15. When cutting limb or tree trunk that is under tension, use extreme caution. Be alert for wood springing back. When wood tension is released, limb could spring back and strike operator causing severe injury or death.
16. Carry chain saw from one place to another
 - with chain saw unplugged
 - by holding front handle (never use hand guard as handle)
 - with finger off trigger
 - with guide bar and chain to rear

MAINTENANCE AND STORAGE OF CHAIN SAW

1. Unplug chain saw from power source
 - when not in use
 - before moving from one place to another
 - before servicing
 - before changing accessories or attachments
2. Inspect chain saw before and after each use. Check saw closely if guard or other part has been damaged. Check for any damage that may affect operator safety or operation of saw. Check for alignment or binding of moving parts. Check for broken or damaged parts. Do not use chain saw if damage affects safety or operation. Have damage repaired by authorized service center.
3. Maintain chain saw with care.
 - Never expose saw to rain.
 - Keep chain sharp, clean, and lubricated.
 - Follow steps outlined in this manual to sharpen chain.
 - Keep handles dry, clean, and free of oil.
 - Keep all screws and nuts tight.
 - Inspect power cord often. If damaged, have repaired by authorized service center.
 - Never carry chain saw by power cord.
 - Never yank power cord to unplug it.
 - Keep power cord from heat, oil, and sharp edges.
 - Inspect extension cords often and replace if damaged.
4. When servicing, use only identical replacement parts.
5. Always store chain saw
 - in a high or locked place, out of children's reach
 - in a dry place
 - in a carrying case or with scabbard over guide bar

Keep this manual for reference. It is your guide to safe and proper operation of this chain saw.

PRODUCT IDENTIFICATION

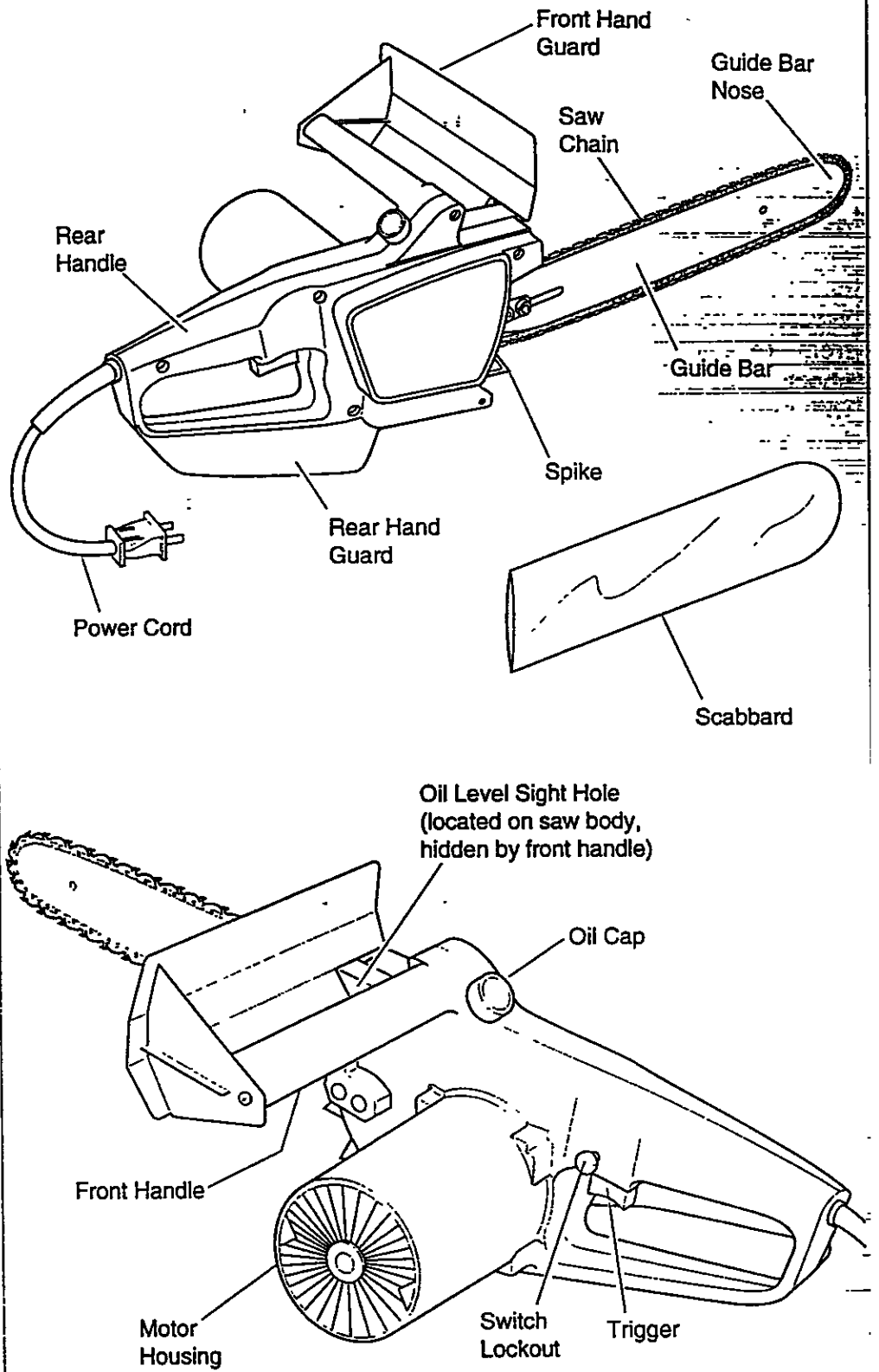


Figure 2 - Electric Chain Saw

CHAIN SAW NAMES and TERMS

Bucking Process of cutting a felled tree or log into lengths.

Felling Process of cutting down a tree.

Felling Cut Final cut when felling a tree. Make this cut on opposite side of tree from notching cut.

Front Handle Located at front of saw body.

Front Hand Guard Shield between front handle and guide bar. Protects left hand while using saw.

Guide Bar Metal bar that extends from saw body. The guide bar supports and guides chain.

Guide Bar Nose Tip or end of guide bar.

Kickback Quick backward and upward motion of guide bar. Kickback may occur when tip of guide bar touches an object while chain is moving. The guide bar will kick up and back towards operator.

Limbing Process of cutting limb(s) from a felled tree.

Low-Kickback Chain Chain that reduces chance of kickback as required by ANSI B175.1.

Normal Cutting Position Stance used while making bucking and felling cuts.

Notching Cut Notch cut in tree that directs fall of tree.

Oiler Control System for oiling guide bar and chain.

Power Head Chain saw without chain and guide bar. Also known as saw body.

Pushback (Kickback, Pinch) Rapid pushback of chain saw. Pushback may occur if chain along top of guide bar is pinched, caught, or contacts a foreign object.

Rear Handle Handle located at rear of saw body.

Reduced Kickback Guide Bar Guide bar that reduces chance of kickback.

Replacement Chain Chain that complies with ANSI B175.1 when used with a specific saw. It may not meet ANSI requirements when used with other saws.

Saw Chain (Chain) Loop of chain having cutting teeth for cutting wood. The motor drives chain. The guide bar supports chain.

Spiked Bumper (Spike) Pointed teeth at front of saw body beside guide bar. Keep spiked bumper in contact with wood when felling or bucking. It helps maintain position of saw while cutting.

Sprocket Toothed wheel that drives chain.

Switch Device that completes or interrupts electrical circuit to motor of saw.

Switch Linkage This device connects switch to trigger. It moves switch when you squeeze trigger.

Switch Lockout Device that reduces accidental starting of saw.

Trigger Device that turns saw on and off. Squeezing trigger turns saw on. Releasing trigger turns saw off.

Trimming (Pruning) Process of cutting limb(s) from a living tree.

Undercut An upward cut from underside of log or limb. This is done while in normal cutting position and cutting with top of guide bar.

UNPACKING

1. Remove all items from carton.
2. Check all items for any shipping damage. If you find any damage or if any parts are missing, promptly inform dealer where you bought chain saw.

ASSEMBLY

Note: Some models are pre assembled. Assembly is not needed on these models. See *Saw Chain Tension Adjustment*, page 10.

WARNING

Cutting edges on chain are sharp. Use protective gloves when handling chain.

IMPORTANT

Do not clamp chain saw in vise during assembly.

The plastic hardware bag should include:

- two guide bar bolts
- two guide bar nuts
- one Phillips-head tapping screw
- automatic chain sharpener (Fast Sharp models only)

1. Lay chain out flat.
2. Install front hand guard onto saw body. Do this by pressing two mounting stand-outs on hand guard into hex-shaped holes in saw body (see Figure 3).
3. Insert tapping screw through hand guard and into saw handle. Tighten screw firmly.
4. Turn adjusting screw counterclockwise (see Figure 4). Continue to turn adjusting screw until adjusting block is to rear of adjusting plate.
5. Install guide bar onto saw body. Place rear of guide bar between adjusting plate and sprocket support. **IMPORTANT:** Make sure to insert adjusting block into oval adjusting hole on guide bar.
6. Line up holes on sprocket support with center slot on guide bar and holes in saw body.
7. Insert guide bar bolts through front hand guard, saw body, center slot of guide bar, and sprocket support. Attach guide bar nuts to guide bar bolts. **IMPORTANT:** Tighten guide bar nuts finger tight only. Make sure adjusting block is in oval adjusting hole on guide bar.
8. Place chain around drive sprocket, then along top groove of guide bar and around guide bar nose. *Note:* Make sure cutting edges of chain are facing the right direction. Position chain so cutting edges on top of guide bar face guide bar nose (see Figure 3).

CAUTION

Do not place chain on saw backwards. If chain is backwards, saw will vibrate badly and will not cut.

9. Adjust saw chain tension. Follow steps under *Saw Chain Tension Adjustment*, page 10.

ASSEMBLY

Continued

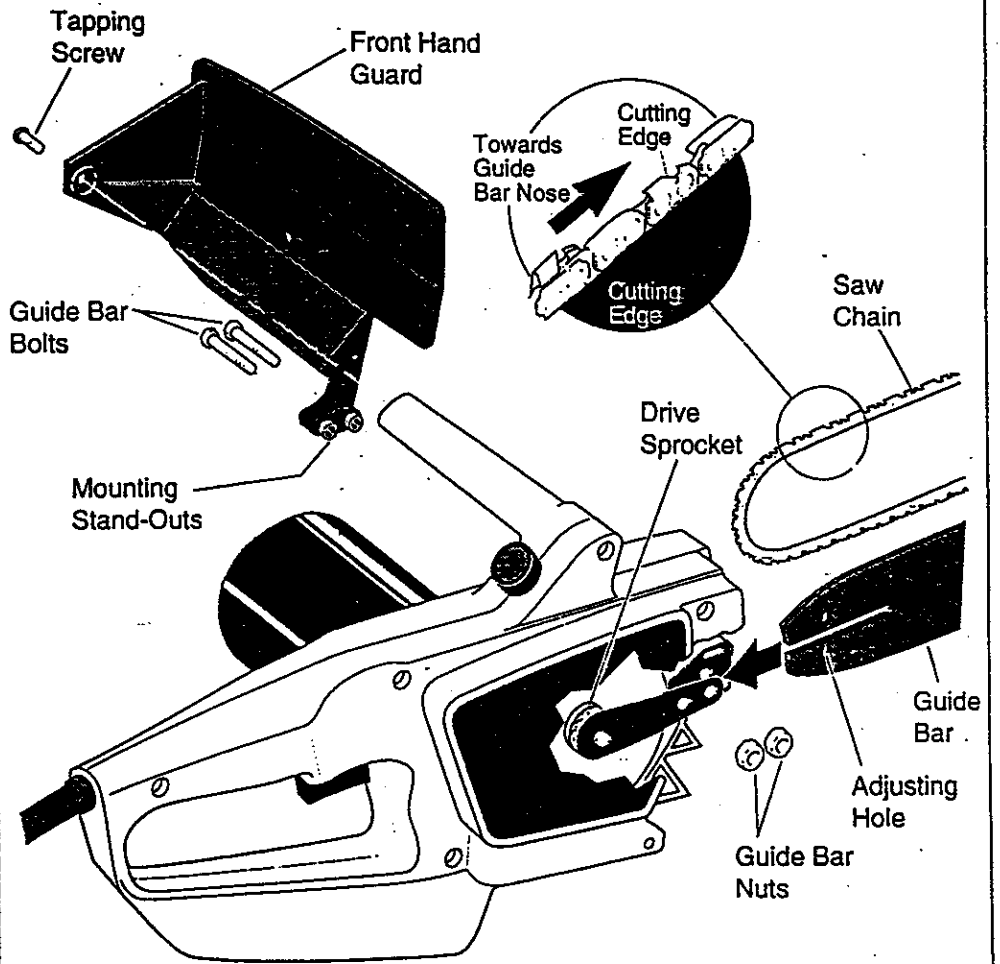


Figure 3 - Assembling Guide Bar, Chain, and Hand Guard

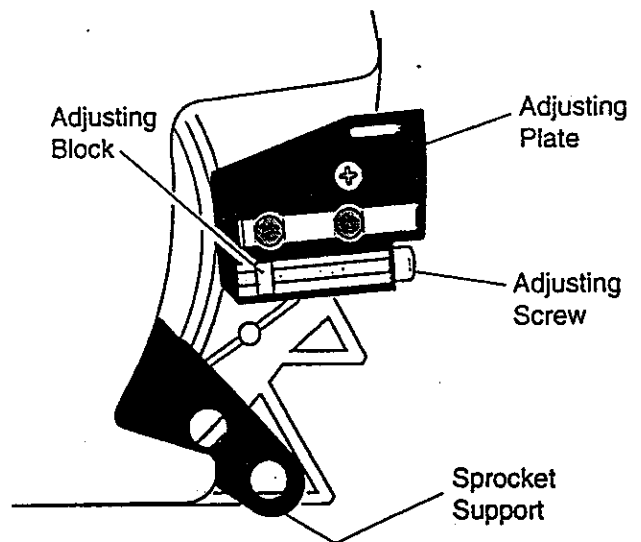


Figure 4 - Part Locations For Assembling Guide Bar

Continued

ASSEMBLY

Continued

Installing Automatic Chain Sharpener (Fast Sharp Models Only)

1. Screw automatic chain sharpener into threaded hole.
2. Continue turning automatic chain sharpener until you hear five (5) clicks.

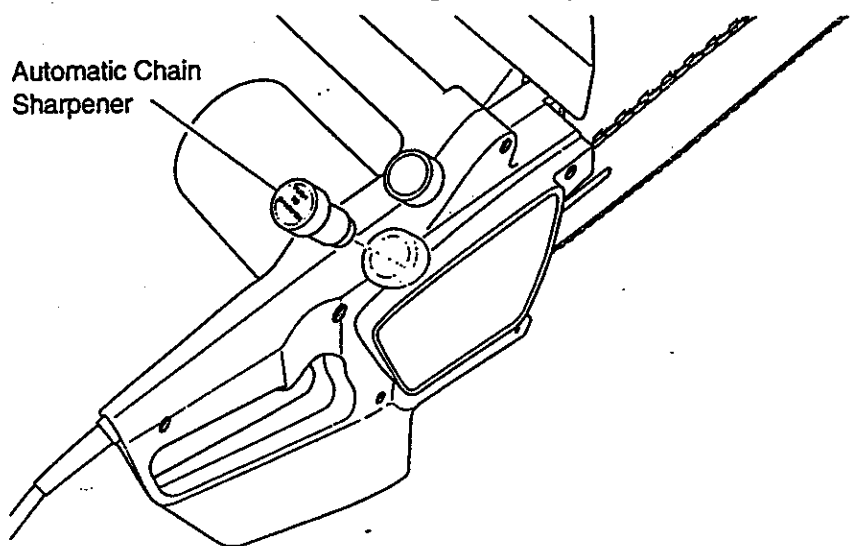


Figure 5 - Automatic Chain Sharpener (Fast Sharp Models Only)

SAW CHAIN TENSION ADJUSTMENT

⚠ WARNING

Unplug chain saw from power source before adjusting saw chain tension.

⚠ WARNING

Cutting edges on chain are sharp. Use protective gloves when handling chain.

⚠ WARNING

Maintain proper chain tension always. A loose chain will increase the risk of kickback. A loose chain may jump out of guide bar groove. This may injure operator and damage chain. A loose chain will cause chain, guide bar, and sprocket to wear rapidly.

Note: For pre assembled models, the saw chain tension is properly set at factory. A new chain will stretch. Check new chain after first few minutes of operation. Allow chain to cool down. Follow steps below to readjust saw chain tension.

1. Before adjusting chain, make sure guide bar nuts are only finger tight (see Figure 3, page 9). Also make sure adjusting block is in oval adjusting hole on guide bar (see Figure 3 and 4, page 9).
2. Turn adjusting screw clockwise until all slack is out of chain (see Figure 6).
Note: There should be no gap between side links of chain and bottom of guide bar (see Figure 7).
3. Wearing protective gloves, move chain around guide bar. Chain should move freely. If chain does not move freely, loosen chain by turning adjusting screw counterclockwise.
4. After chain tension is correct, tighten guide bar nuts firmly. If not, guide bar will move and loosen chain tension. This will increase the risk of kickback. This can also damage saw. *Note:* A new chain will stretch. Check new chain after first few minutes of operation. Allow chain to cool down. Readjust chain tension.

SAW CHAIN TENSION ADJUSTMENT

Continued

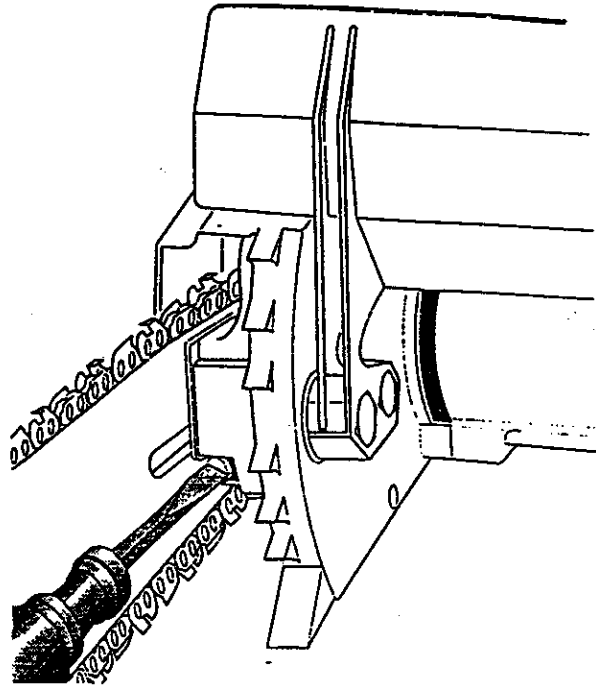


Figure 6 - Turning Adjusting Screw

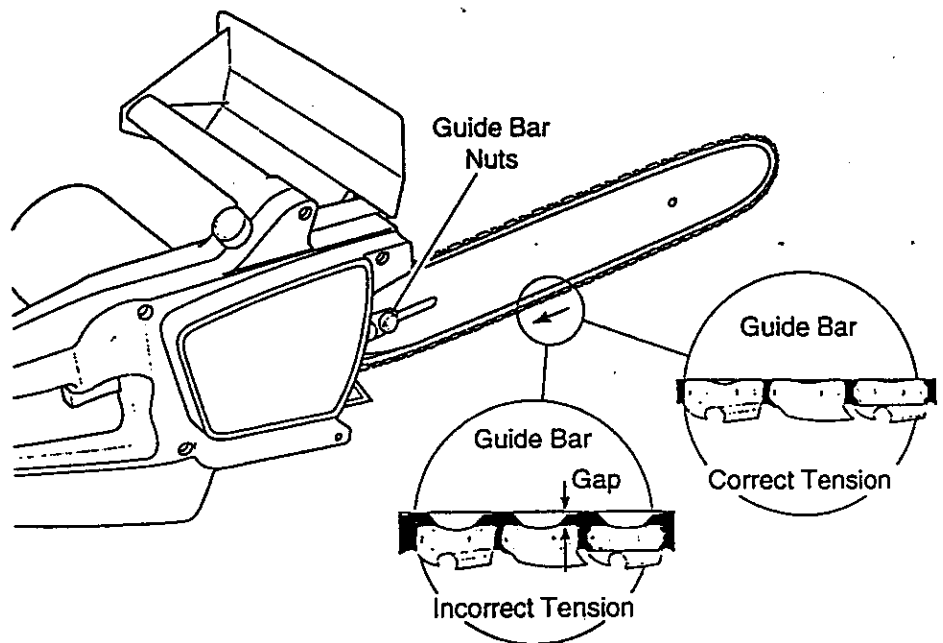


Figure 7 - Saw Chain Adjustment

FILLING OIL TANK

1. Remove oil cap.
2. Fill oil tank with SAE #30 motor oil. *Note:* For temperatures below 30°F, use SAE #10 oil. For temperatures above 75°F, use SAE #40 oil.
3. Replace oil cap at once. Tighten oil cap firmly for good seal. This will avoid oil seepage from tank.
4. Wipe off excess oil.

Note: It is normal for oil to seep when saw is not in use. Empty oil tank after each use to prevent seepage.

OPERATING CHAIN SAW

WARNING

Read and understand this owner's manual before operating this saw. Make certain you read and understand all Safety Warnings. Improper use of this chain saw can cause severe injury or death from fire, electrical shock, or body contact with moving chain, or falling wood.

EXTENSION CORDS

Use proper extension cords with this saw. Use only extension cords marked for outdoor use. The cord must be marked with suffix W-A following the cord type designation. Example: SJTW-A.

Use proper sized cord with this saw. Cord must be heavy enough to carry current needed. An undersized cord will cause voltage drop at saw. Saw will lose power and overheat. Follow cord size requirements listed below.

Cord Length	AWG Cord Size
25 feet	16
50 feet	16
100 feet	14
150 feet	12

Keep cord away from cutting area. Make sure cord does not catch on branches or logs during cutting. Inspect cords often. Replace damaged cords.

The extension cord may come undone from the power cord during use. To avoid this, make a knot with the two cords as shown in Figure 8 below.

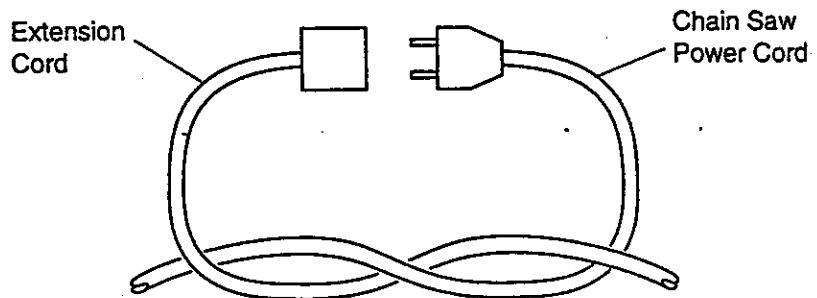


Figure 8 - Tying Extension Cord and Power Cord in Knot

OILING CHAIN

Always check oil level before using saw. To oil chain, press oil cap. Oil will feed onto guide bar and chain. Press oil cap at least once before each cut. Check oil level often by looking at oil sight level hole. Oil sight level hole is on left side of saw, between front handle and front hand guard.

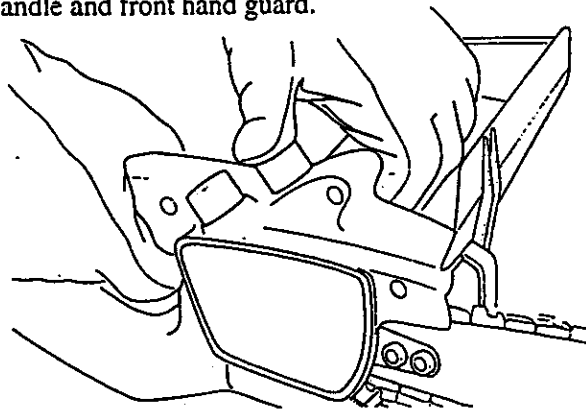


Figure 9 - Pressing Oil Cap to Oil Chain

OPERATING CHAIN SAW

Continued

CUTTING WITH THE CHAIN SAW

1. Connect saw to extension cord. Connect extension cord to power supply.
2. Make sure section of log to be cut is not laying on ground. This will keep chain from touching ground as it cuts through log. Touching ground with moving chain will dull chain.
3. Use both hands to grip saw. Always use left hand to grip front handle and right hand to grip rear handle. Use firm grip. Thumbs and fingers must wrap around saw handles (see Figure 10).
4. Make sure your footing is firm. Keep feet apart. Divide your weight evenly on both feet.
5. When ready to make a cut, press in switch lockout with right thumb and squeeze trigger (see Figure 10). This will turn saw on. Releasing trigger will turn saw off. Make sure saw is running at full speed before starting a cut.

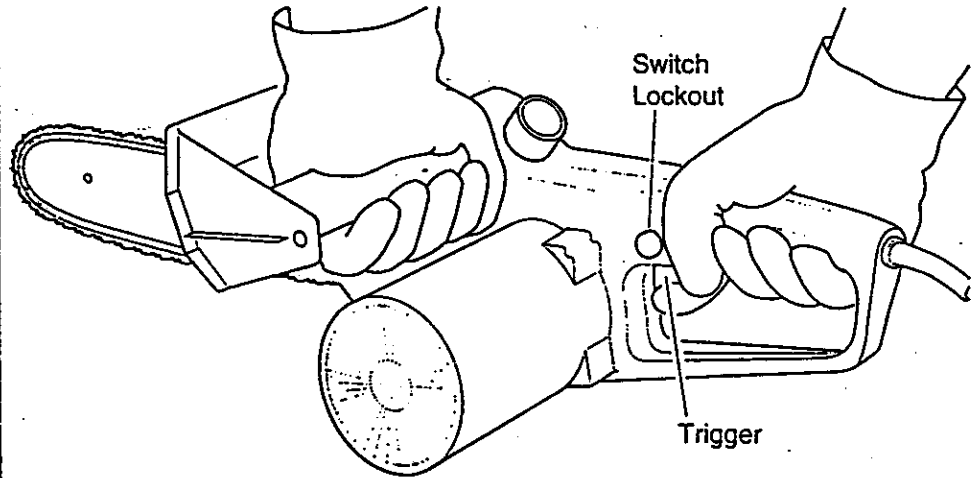


Figure 10 - Switch Lockout and Trigger Location

6. When starting a cut, place moving chain against wood. Hold saw firmly in place to avoid possible bouncing or skating (sideways movement) of saw.
7. Guide saw using light pressure. Do not force saw. The motor will overload and can burn out.
8. Remove saw from a cut with saw running at full speed. Stop saw by releasing trigger. Make sure chain has stopped before setting saw down.
9. Practice until you can maintain a steady, even cutting rate.

Continued

OPERATING CHAIN SAW

Continued

TRIMMING A TREE (Pruning)

⚠ WARNING

Avoid kickback. Kickback can result in severe injury or death. See *Kickback*, page 3 to avoid risk of kickback.

⚠ WARNING

Do not operate chain saw while

- in a tree
- on a ladder or any other unstable surface
- in any awkward position

You may lose control of saw causing severe injury.

⚠ WARNING

Do not cut limbs higher than your shoulders.

⚠ CAUTION

Seek professional help if facing conditions beyond your ability.

Trimming a tree is the process of cutting limbs from a living tree. Make sure your footing is firm. Keep feet apart. Divide your weight evenly on both feet. Follow directions below to trim a tree.

1. Make first cut six inches from tree trunk on underside of limb. Use top of guide bar to make this cut. Cut 1/3 through diameter of limb (see Figure 11).
2. Move two to four inches farther out on limb. Make second cut from above limb. Continue cut until you cut limb off.
3. Make third cut as close to tree trunk as possible on underside of limb stub. Use top of guide bar to make this cut. Cut 1/3 through diameter of stub.
4. Make fourth cut directly above third cut. Cut down to meet third cut. This will remove limb stub.

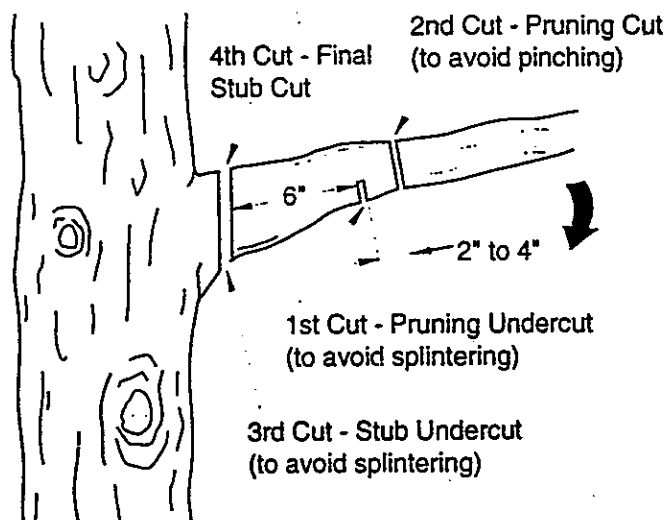


Figure 11 - Cutting A Limb

OPERATING CHAIN SAW

Continued

FELLING A TREE (Cutting Down a Tree)

⚠ WARNING

- Avoid kickback. Kickback can result in severe injury or death. See *Kickback*, page 3 to avoid risk of kickback.
- Do not fell a tree without ample skill or expert help.
- Keep children, animals, and bystanders away from area when felling a tree.
- If two or more persons perform bucking and felling operations at the same time, provide ample distance between operations. Provide distance of at least twice the height of tree being felled.

⚠ WARNING

When felling a tree, be aware of your surroundings. Do not endanger any person, strike utility lines, or cause property damage. If tree strikes utility lines, contact utility company at once.

Felling is the process of cutting down a tree. Make sure your footing is firm. Keep feet apart. Divide your weight evenly on both feet. Follow directions below to fell a tree.

Before Felling a Tree

1. Before felling, inspect tree. Make sure there are no dead limbs or branches that may fall on you. Study natural lean of tree, location of larger branches, and wind direction. This will help you judge which way tree will fall.
2. Clear work area around tree.
3. Plan and clear a retreat path before felling. Make retreat path opposite to planned direction of fall of tree and at 45° angle (see Figure 12).

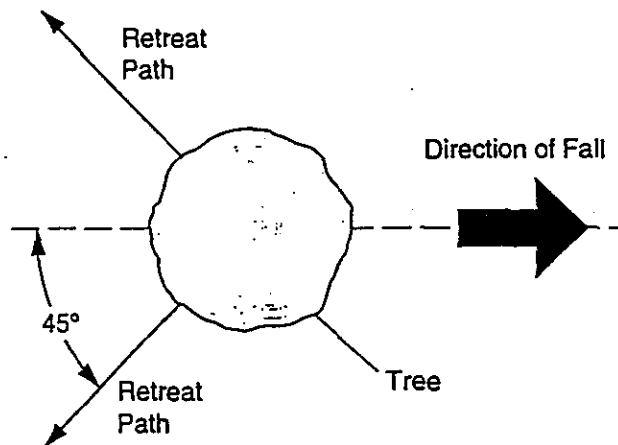


Figure 12 - Retreat Path From Tree

4. Remove dirt, stones, loose bark, nails, staples, and wire from tree where you will make felling cuts.
5. Stay on uphill side when felling tree. Tree could roll or slide downhill after falling.

Felling Procedure

Felling Notch

A properly placed felling notch will determine direction tree will fall. Place felling notch on side of tree in direction you want tree to fall (see Figure 13, page 16). Follow directions on page 16 to create a felling notch.

Continued

OPERATING CHAIN SAW

Continued

1. Make lower notch cut as close to ground as possible. Hold saw so guide bar is horizontal. Cut 1/3 the diameter of tree trunk (see Figure 13). *Note:* Always make this horizontal lower notch cut first. If you make this cut second, tree can pinch chain or guide bar.
2. Start upper notch cut the same distance above first cut as first cut is deep. *Example:* If lower notch cut is eight inches deep, start upper notch cut eight inches above it. Cut downward at 45° angle. The upper notch cut should meet end of lower notch cut (see Figure 13).
3. Remove tree trunk wedge created by notching cuts.

Felling Cut

1. Make felling cut two inches higher than lower notch cut and on opposite side of tree (see Figure 13). Keep felling cut parallel to lower notch cut.
2. Cut towards notch.

⚠ WARNING

Do not cut all the way through tree. Leave about two inches of tree diameter uncut directly behind felling notch (see Figure 13). This uncut portion acts as a hinge. The hinge helps keep tree from twisting and falling in wrong direction.

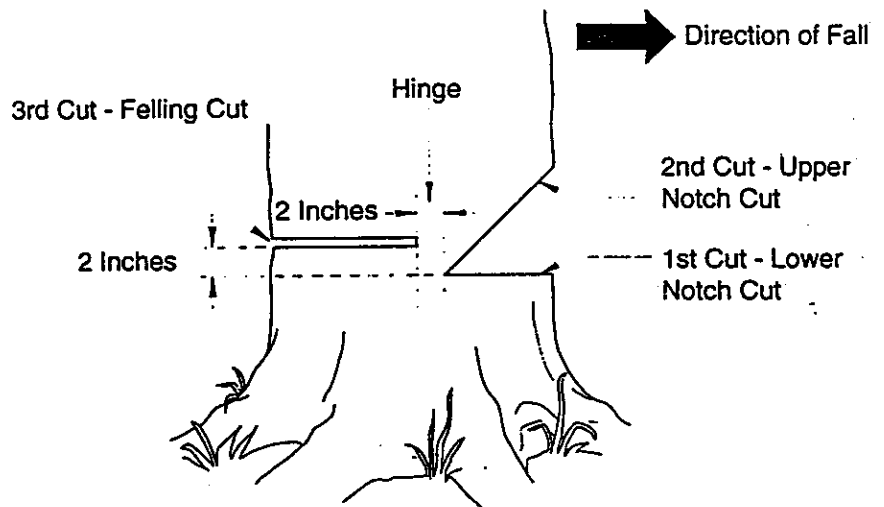


Figure 13 - Felling A Tree

3. As felling cut nears hinge, tree should begin to fall. *Note:* If needed, drive wedges into felling cut to control direction of fall. If tree settles back and pinches chain, drive wedges into felling cut to remove saw. Only use wedges made of wood, plastic, or aluminum. Never use wedge made of steel. This could cause kickback and damage to chain.
4. When tree begins to fall, quickly
 - remove saw from felling cut
 - release trigger to turn saw off
 - put saw down
 - exit area using retreat path

⚠ WARNING

Be alert for falling overhead limbs. Watch your footing while exiting area.

OPERATING CHAIN SAW

Continued

LIMBING A TREE

WARNING

Avoid kickback. Kickback can result in severe injury or death. See *Kickback*, page 3 to avoid risk of kickback.

WARNING

When cutting limb that is under tension, use extreme caution. Be alert for wood springing back. When wood tension is released, limb could spring back and strike operator causing severe injury or death.

Limbing is removing branches from a fallen tree. Make sure your footing is firm. Keep feet apart. Divide your weight evenly on both feet. Do not remove larger limbs under tree that support log off ground. Remove each limb with one cut (see Figure 14). Clear cut limbs from work area often. This will help maintain a safe work area.

Make sure you start your cut where limb will not pinch saw during cutting. To avoid pinching, start cut on freely hanging limbs from above limb. Start cut on limbs under tension from under limb. If pinch occurs, turn saw off, lift limb, and remove saw.

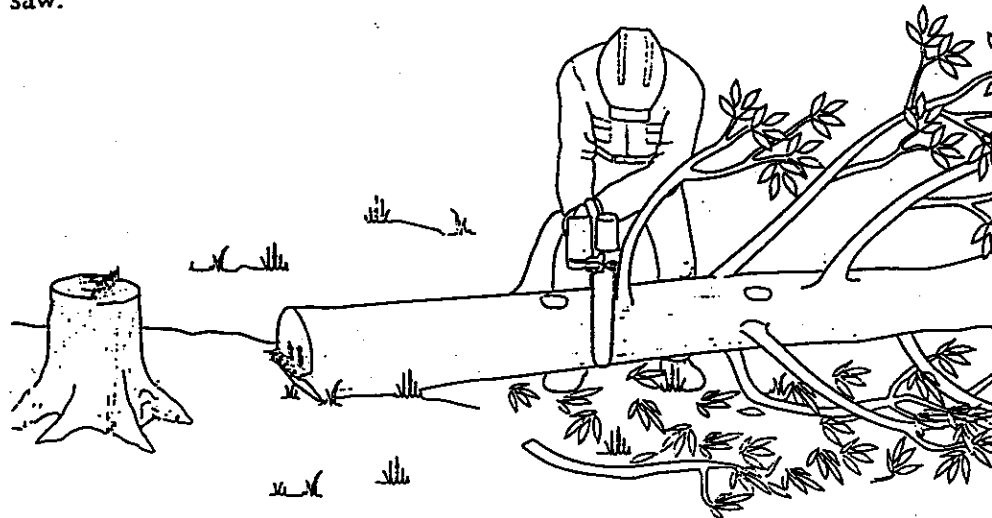


Figure 14 - Limbing A Tree

Continued

OPERATING CHAIN SAW

Continued

BUCKING A LOG

WARNING

Avoid kickback. Kickback can result in severe injury or death. See *Kickback*, page 3 to avoid risk of kickback.

WARNING

- If on slope, make sure log will not roll down hill. Secure log by using wooden stakes. Drive wooden stakes into ground on downhill side of log. Stand on uphill side of log while cutting. Log may roll after cutting.
- Never try cutting through two logs at same time. This could increase the risk of kickback.
- While cutting log, never hold log with your hand, leg, or foot.
- While cutting log, never allow another person to hold log.
- Turn off and unplug saw before moving from one place to another.

Bucking a log is cutting a log into sections. Make sure your footing is firm. Keep feet apart. Divide your weight evenly on both feet. When possible, raise log or section off ground. Do this by using limbs, logs, chocks, etc.

When cutting through log, maintain control by reducing cutting pressure near end of cut. Do not relax your grip on chain saw handles. Do not let moving chain touch ground. Ground will dull moving chain. After cutting through log, release trigger to turn saw off before moving saw.

Follow directions below to buck a log.

Entire Length Of Log On Ground

1. Cut log from top (see Figure 15).

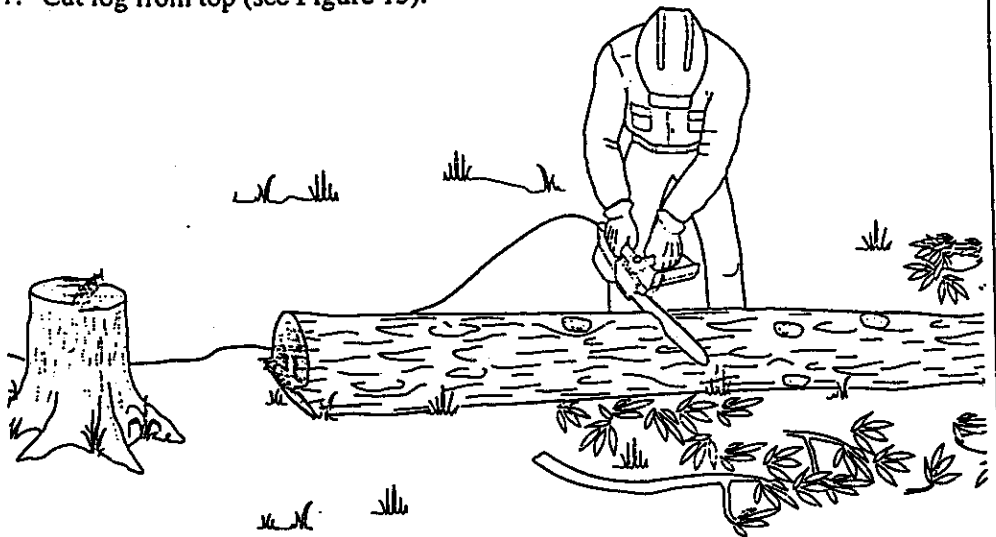


Figure 15 - Bucking Log With Entire Length On Ground

OPERATING CHAIN SAW

Continued

Log Supported On One End

1. Make first cut on underside of log (see Figure 16). Use top of guide bar to make this cut. Cut 1/3 through diameter of log. This cut will keep section from splintering when cut.
2. Make second cut directly above first cut. Cut down to meet first cut. This cut will keep log from pinching guide bar and chain.

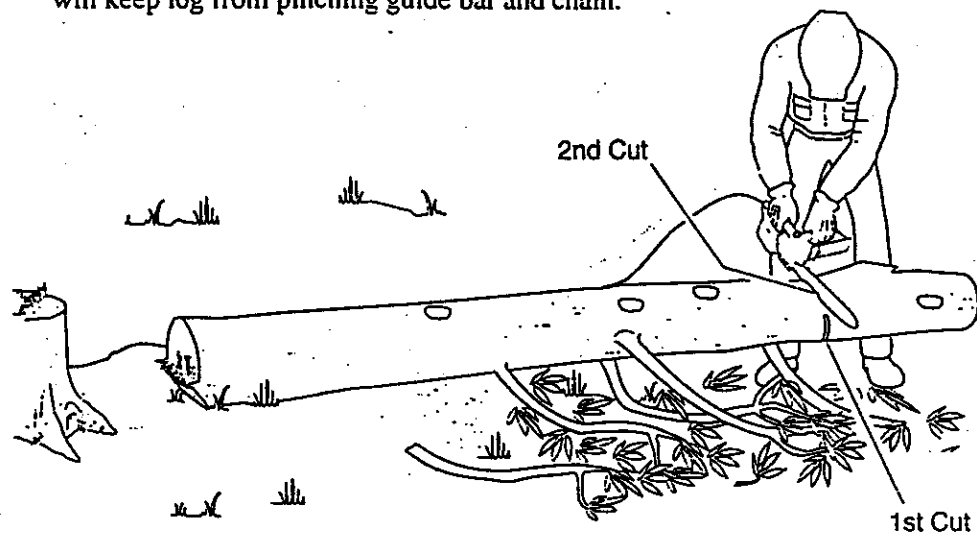


Figure 16 - Bucking Log When Log Is Supported On One End

Log Supported On Both Ends

1. Make first cut from above log (see Figure 17). Cut 1/3 through diameter of log. This cut will keep section from splintering when cut.
2. Make second cut on underside of log, directly under first cut. Use top of guide bar to make this cut. Cut up to meet first cut. This will keep log from pinching guide bar and chain.

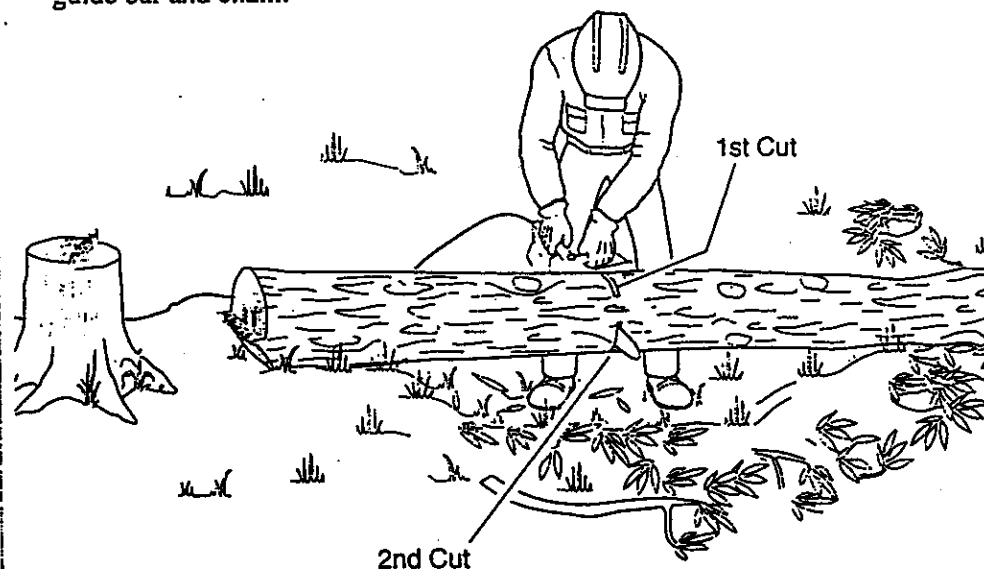


Figure 17 - Bucking Log When Log Is Supported On Both Ends

CLEANING AND MAINTENANCE

NOTICE

Below are instructions for servicing your chain saw. Any servicing not mentioned below should be done by an authorized service center.

CLEANING SAW BODY

WARNING

Unplug chain saw from power source before servicing. Severe injury or death could occur from electrical shock or body contact with moving chain.

WARNING

Cutting edges on chain are sharp. Use protective gloves when handling chain.

WARNING

When cleaning saw body,

- do not submerge saw in any liquids
- do not use products that contain ammonia, chlorine, or abrasives
- do not use chlorinated cleaning solvents, carbon tetrachloride, kerosene, or gasoline

Keep saw body clean. Use a soft cloth dampened with a mild soap and water mixture. Wipe saw body to clean.

CARE OF GUIDE BAR

Uneven bar wear causes most guide bar problems. Incorrect sharpening of chain cutter and depth gauge settings often cause this. When bar wears unevenly, it widens guide bar groove (see Figure 18). This causes chain clatter and rivet popping. Saw will not cut straight. Replace guide bar if this occurs.

Inspect guide bar before sharpening chain. A worn or damaged guide bar is unsafe. A worn or damaged guide bar will damage chain. It will also make cutting harder.

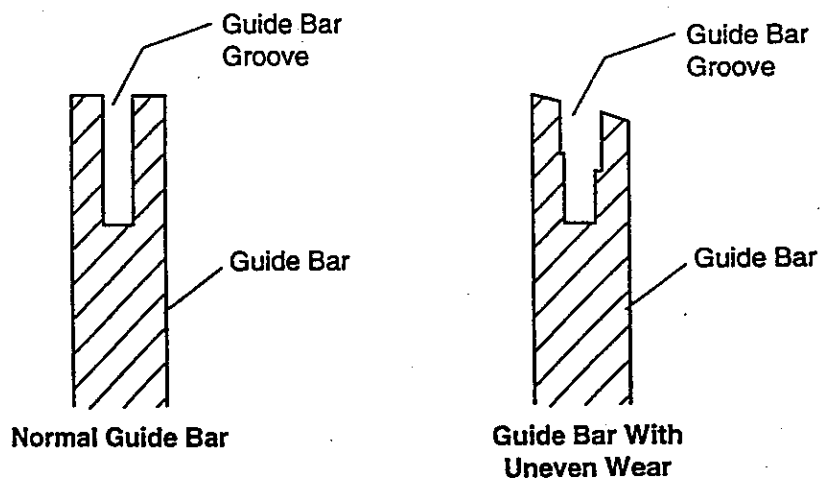


Figure 18 - Guide Bar Cross Section Showing Uneven Bar Wear

CLEANING AND MAINTENANCE

Continued

Normal Guide Bar Maintenance

1. Remove guide bar from chain saw.
2. Remove sawdust from guide bar groove periodically. Use putty knife or wire.
3. Clean oil slots after each day of use.
4. Remove burrs from sides of guide bar. Use flat file to make side edges square.

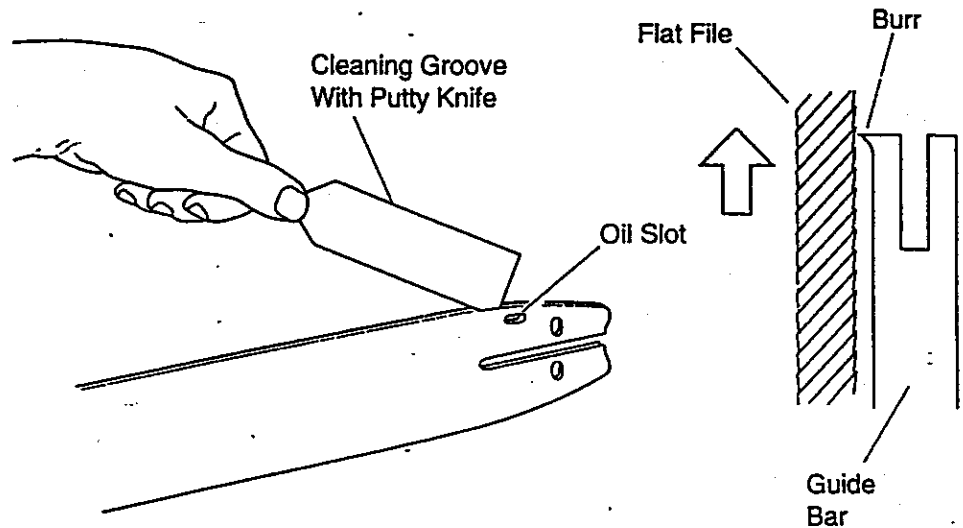


Figure 19 - Guide Bar Maintenance

Replace guide bar when

- bar is bent or cracked
- inside groove of bar is badly worn

Note: When replacing guide bar, see *Replacement Parts and Accessories*, page 28 for proper bar.

SHARPENING YOUR SAW CHAIN (Non-Fast Sharp Model)

⚠ WARNING

Unplug chain saw from power source before servicing. Severe injury or death could occur from electrical shock or body contact with moving chain.

⚠ WARNING

Cutting edges on chain are sharp. Use protective gloves when handling chain.

Keep chain sharp. Your saw will cut faster and more safely. A dull chain will cause undue sprocket, guide bar, chain, and motor wear. If you must force chain into wood and cutting creates only sawdust with few large chips, chain is dull.

Items Needed to Sharpen Chain

Purchase these items from your local dealer, hardware store, or chain saw supplies outlet.

- 5/32" round file
- File guide
- Medium sized flat file
- Depth gauge tool
- Vise

Continued

CLEANING AND MAINTENANCE

Continued

Sharpening Cutters

Use file guide for 30° filing.

1. Adjust chain for proper tension (see *Saw Chain Tension Adjustment*, page 10).
2. Clamp guide bar in vise to hold saw steady. *Note:* Do not clamp chain.
3. Press 5/32" round file (attached to file guide) into groove between top plate and depth gauge on chain. File guide should rest on both top plate and depth gauge (see Figures 20 and 21). *Note:* File at midpoint of guide bar.
4. Hold file guide level. Make sure 30° mark on file guide is parallel to center of guide bar (see Figure 20). This will insure that you file cutters at 30° angle.
5. File from inside towards outside of cutter until sharp. Only file in this one direction (see Figure 20). *Note:* Two or three strokes with file should sharpen cutter.
6. After each cutter is sharpened, move chain forward to sharpen next cutter. File all cutters on one side of chain.
7. Move to other side of chain and repeat process.

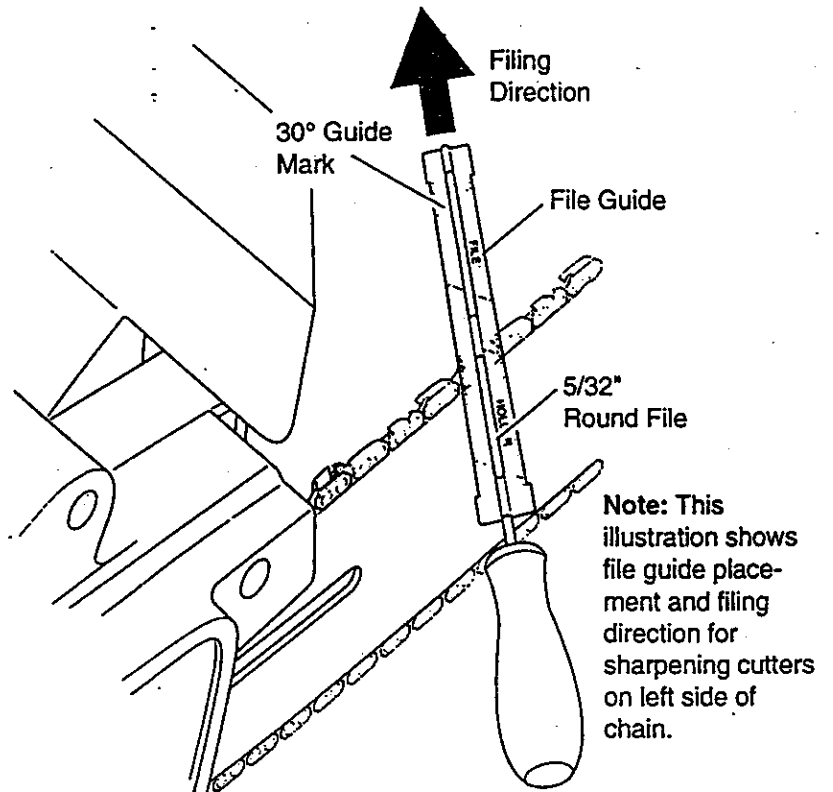


Figure 20 - File and File Guide Placement On Chain

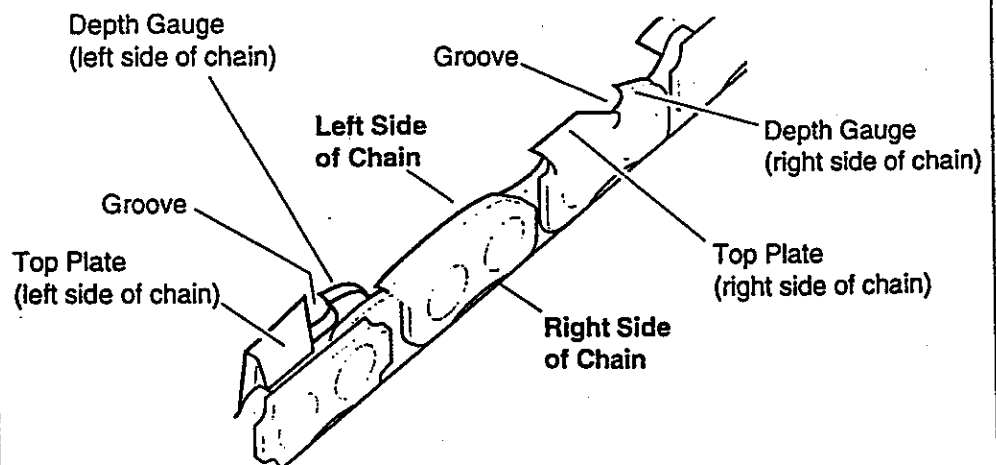


Figure 21 - Chain Part Locations

CLEANING AND MAINTENANCE

Continued

Filing Cutter Depth Gauges

The cutter depth gauge clearance is reduced as cutters are sharpened. After every second or third sharpening, reset cutter depth gauges.

1. Place depth gauge tool firmly across top of two cutters. Make sure depth gauge enters slot in depth gauge tool (see Figure 22).
2. Use medium flat file. File depth gauge level with depth gauge tool.
3. Remove depth gauge tool. With flat file, round off front corner of cutter depth gauge (see Figure 23).

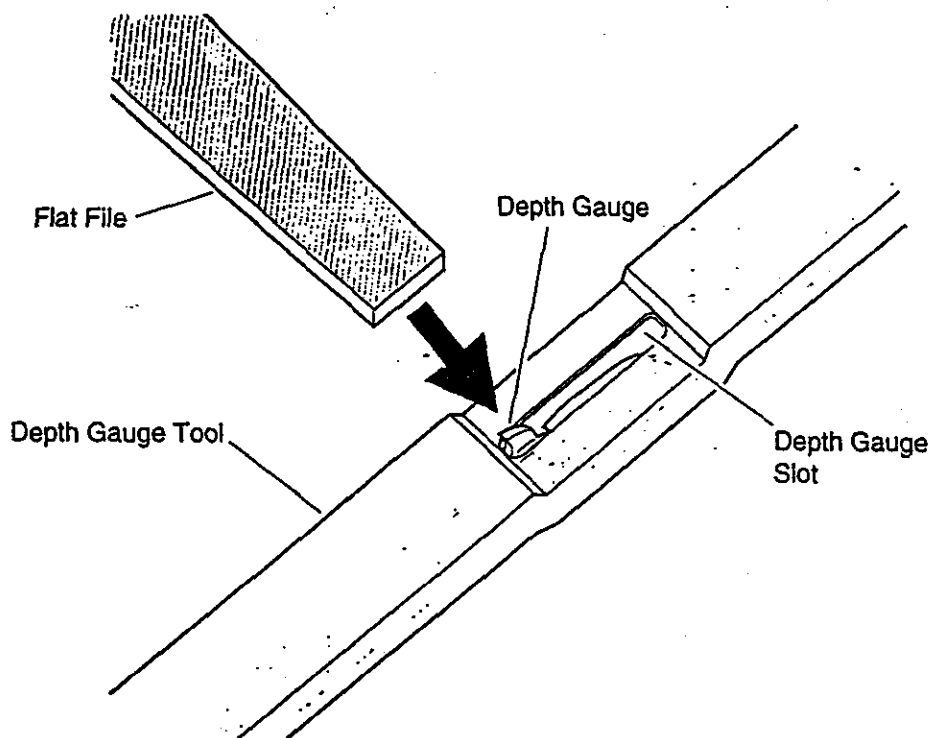


Figure 22 - Depth Gauge Tool On Chain

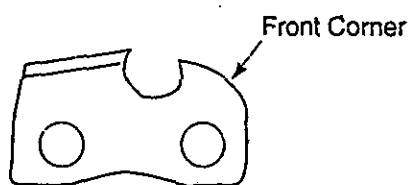


Figure 23 - Round Off Front Corner Of Depth Gauge

After several hand filings, have authorized service center or sharpening service machine sharpen chain. This will insure even filing.

Replacing Saw Chain

Replace chain when cutters are too worn to sharpen or when chain breaks. Only use replacement chain noted in this manual. Always include new drive sprocket when replacing chain. This will maintain proper driving of chain. *Note:* For proper chain and drive sprocket, see *Replacement Parts and Accessories*, page 28.

CLEANING AND MAINTENANCE

Continued

SHARPENING YOUR SAW CHAIN (Fast Sharp Model)

⚠ WARNING

Unplug chain saw from power source before servicing. Severe injury or death could occur from electrical shock or body contact with moving chain.

⚠ WARNING

Cutting edges on chain are sharp. Use protective gloves when handling chain.

⚠ WARNING

Do not hand-sharpen this Fast Sharp chain. Hand-sharpening chain will increase risk of kickback.

Keep chain sharp. Your saw will cut faster and more safely. A dull chain will cause undue sprocket, guide bar, chain, and motor wear. If you must force chain into wood and cutting creates only sawdust with few large chips, chain is dull.

Follow the steps below to sharpen Fast Sharp chain. The automatic chain sharpener sharpens cutter, lowers cutter depth gauge, and adjusts guard drive link.

1. Adjust saw chain for proper tension (see *Saw Chain Tension Adjustment*, page 10).
2. Clean out excess sawdust and wood chips from drive sprocket area.
3. Turn sharpener knob counterclockwise until clicking stops.
4. Turn sharpener knob clockwise until you hear five distinct clicks.

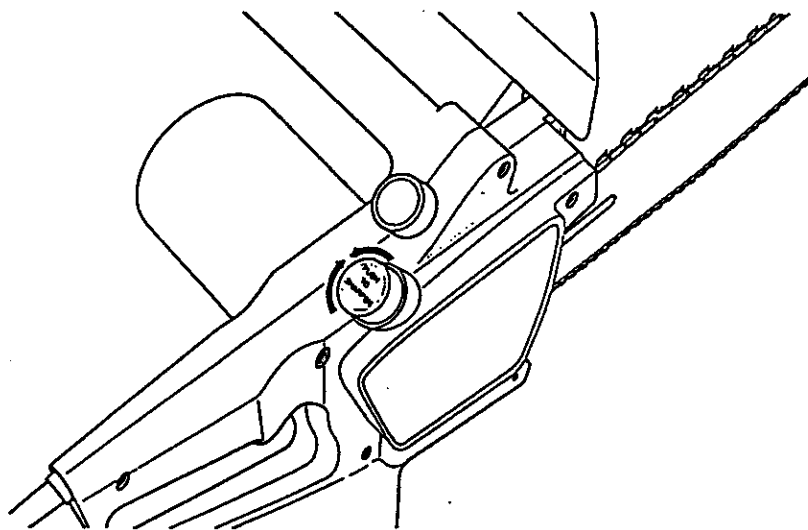


Figure 24 - Turning Sharpener Knob

5. Place saw on clean, flat surface.
6. Connect saw to power supply.
7. Hold saw, with both hands in normal cutting position.
8. Press in switch lockout with right thumb and squeeze trigger.

CLEANING AND MAINTENANCE

Continued

9. Gently push on sharpener knob. Saw must be running for chain to sharpen.
Note: Sparks appearing shows sharpener is working (see Figure 25). If no sparks appear, continue to adjust sharpener one click at a time. After each click, press sharpener knob until light flow of sparks appears.

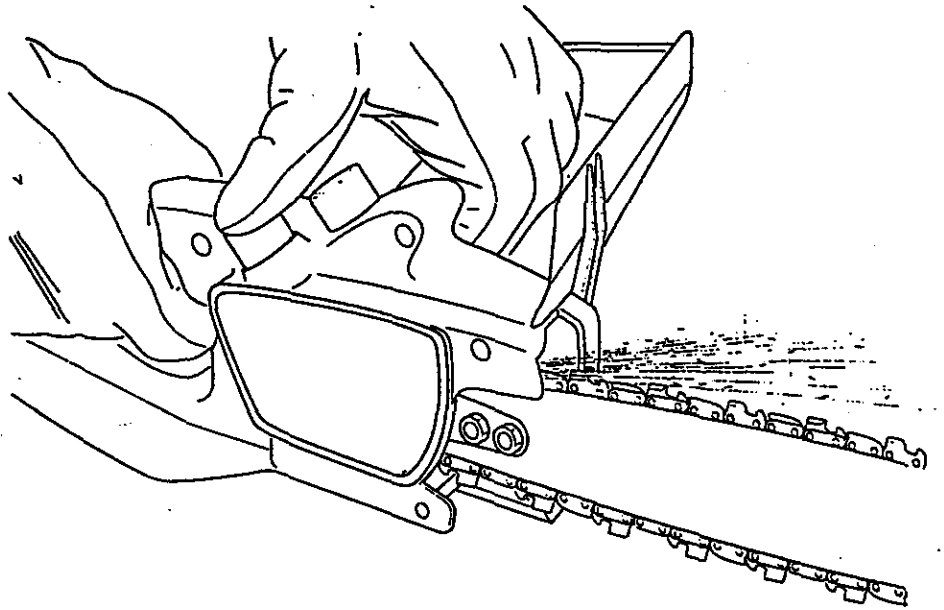


Figure 25 - Sharpening Fast Sharp Chain

After several sharpenings, you must turn sharpener knob more to bring stone into position.

Replacing Saw Chain

Replace chain when cutters are too worn to sharpen or when chain breaks. Only use replacement chain noted in this manual. Always include new drive sprocket when replacing chain. This will maintain proper driving of chain. *Note:* For proper chain and drive sprocket, see *Replacement Parts and Accessories*, page 28.

STORAGE

If storing saw for more than 30 days, follow steps below.

1. Drain oil tank.
2. Remove and clean guide bar and chain. Clean guide bar and chain by soaking in petroleum based solvent or mild soap and water mixture.
3. Dry guide bar and chain.
4. Place chain in container filled with oil. This will prevent rust.
5. Wipe a thin coating of oil over surface of guide bar.
6. Wipe off outside of saw body. Do this with soft cloth dampened with a mild soap and water mixture.
7. Store chain saw
 - in a high or locked place, out of children's reach
 - in a dry place
 - in a carrying case or with scabbard over guide bar

TROUBLE-SHOOTING

WARNING

Unplug chain saw from power source before servicing. Severe injury or death could occur from electrical shock or body contact with moving chain.

OBSERVED FAULT	POSSIBLE CAUSE	REMEDY
Saw runs, but does not cut.	Chain assembled backwards on guide bar	See <i>Assembly</i> , page 8
Saw does not cut unless heavily forced. Cutting produces only sawdust with few large chips.	Chain is dull	See <i>Sharpening your Saw Chain</i> , page 21 (non-Fast Sharp model) or page 24 (Fast Sharp model)
Saw runs slow. Saw stalls easily.	Low power supply voltage	Extension cord wire size too small. See <i>Extension Cords</i> , page 12
Motor of saw does not run when you squeeze trigger.	Switch lockout not pressed in to release trigger	Press in switch lockout before squeezing trigger
	Extension cord connections loose	Check cord connections
	Open line fuse or circuit breaker	Check line fuse or circuit breaker
	Bad motor brushes	See authorized service center (see page 29)
Motor of saw runs, but chain does not move.	Open wiring circuit on saw	See authorized service center (see page 29)
	Gear train failure	See authorized service center (see page 29)
Chain does not get oil.	Clogged oil slot in guide bar	Remove guide bar and clean oil slot
	Oil is too thick	Use correct weight of oil. See <i>Filling Oil Tank</i> , page 11
Chain comes off guide bar.	Chain is loose	Tighten chain. See <i>Saw Chain Tension Adjustment</i> , page 10
	Guide bar and chain not assembled right	See <i>Assembly</i> , page 8
Saw smokes.	Saw damaged. Do not use saw.	See authorized service center (see page 29)
Saw leaks oil.	Oil cap is not secure.	Tighten oil cap. <i>Note:</i> Empty oil tank when not in use.

TECHNICAL SERVICE

You may have further questions about assembling, operating, or maintaining this saw. If so, contact DESA International's Technical Service Department at 1-800-323-5190.

SERVICE PUBLICATIONS

You can buy a service manual from address listed on back page of this manual. Send a check for \$5.00 payable to DESA International.

You can receive an illustrated parts list free of charge. Send a self-addressed stamped envelope to address on back page of this manual.

When writing, include model number and serial number of saw. You will find these numbers on saw motor housing decal.

REPAIR SERVICE

Note: Only use original replacement parts. This will protect your warranty coverage for parts replaced under warranty.

Each authorized service center is independently owned and operated. For additional service center or warranty information, call 1-800-323-5190.

Warranty Service

If saw requires warranty service, return it to nearest authorized service center. You must show proof of purchase. If faulty materials or workmanship caused damage, we will repair or replace saw without charge.

Non-Warranty Service

If saw requires service, return it to nearest authorized service center. Repairs will be billed to you at regular repair list prices. *Note:* Normal wear, misuse, abuse, neglect, or accidental damage is not covered under warranty.

REPLACEMENT PARTS AND ACCESSORIES

WARNING

Use only replacement parts and accessories described in this manual. Use of other parts or accessories could damage saw or injure operator.

Purchase these parts and accessories from your local dealer. If they can not supply these parts and accessories, either contact your nearest Parts Central (see page 29) or call DESA International's Parts Department at 1-800-972-7879. You can also write to the address listed on the back page of this manual.

LNT-2

Part Number	Description
097566-01S	Guide bar, 8"
091369S	Chain, 8"
097567-02S	Guide bar, 10"
091371S	Chain, 10"
097568-02S	Guide bar, 12"
091373S	Chain, 12"
075752	Drive sprocket

099178H, 100089-06 & EL-1

Part Number	Description
097570-03S	Guide bar, 14"
091374S	Chain, 14"
075752	Drive sprocket

EL-1 Fast Sharp

Part Number	Description
097570-03S	Guide bar, 14"
091367S*	Chain, 14"
076695	Drive sprocket

EL-7, 098031J, 099039J, 100089-01, 100089-04

Part Number	Description
097572-03S	Guide bar, 16"
091375S	Chain, 16"
075752	Drive sprocket

EL-7 - 100015

Part Number	Description
101623-01	Guide bar, 15"
101619-01	Chain, 15"
075752	Drive sprocket

EL-7 Fast Sharp

Part Number	Description
097572-03S	Guide bar, 16"
091377S*	Chain, 16"
076695	Drive sprocket

General

Part Number	Description
079963-02	Plastic scabbard, 8" & 10"
079963-04	Plastic scabbard, 12", 14", & 16"
059397	Extension cord, two conductor (16 AWG, 50 ft.)

* Includes automatic chain sharpener.

WARRANTY INFORMATION

KEEP THIS WARRANTY

Model _____
Serial No. _____
Date Purchased _____

Always specify model and serial numbers when writing the factory.

We reserve the right to amend these specifications at any time without notice. The only warranty applicable is our standard written warranty. We make no other warranty, expressed or implied.

LIMITED WARRANTY ELECTRIC CHAIN SAW

DESA International warrants this electric chain saw and any parts thereof, to be free from defects in material and workmanship for one year from the date of first purchase from an authorized dealer, provided that the product has been properly maintained and operated in accordance with all applicable instructions. The bill of sales or proof of purchase must be presented at the time a claim is made under this warranty.

This warranty is extended only to the original retail purchaser. This warranty covers only the parts and labor required to restore this chain saw to its proper operating condition. Warranty parts must be obtained through factory authorized dealers and service centers for this product. These dealers and service centers will provide original factory replacement parts. Failure to use original factory replacement parts voids this warranty.

This warranty does not cover commercial, industrial, or rental usage, nor does it apply to parts that are not in original condition because of normal wear and tear, or parts that fail or become damaged as a result of misuse, accident, lack of proper maintenance, tampering, or alteration. Travel, handling, transportation, and incidental costs associated with warranty repairs are not reimbursable under this warranty and are the responsibility of the owner.

To the full extent allowed by the law of the jurisdiction that governs the sale of the product, this express warranty excludes any and all other expressed warranties and limits the duration of any and all implied warranties, including warranties of merchantability and fitness for a particular purpose to one year from the date of first purchase, and DESA International's liability is hereby limited to the purchase price of the product and DESA International shall not be liable for any other damages whatsoever including indirect, incidental, or consequential damages.

Some states do not allow limitation of how long an implied warranty lasts or an exclusion or limitation of incidental or consequential damages, so the above limitation of damages may not apply to you.

This warranty provides the original purchaser with specific rights. For information regarding those rights, please consult the applicable state laws.

DESA

INTERNATIONAL

2701 Industrial Drive
P.O. Box 90004
Bowling Green, KY 42102-9004

097017-01
REV. S
12/94