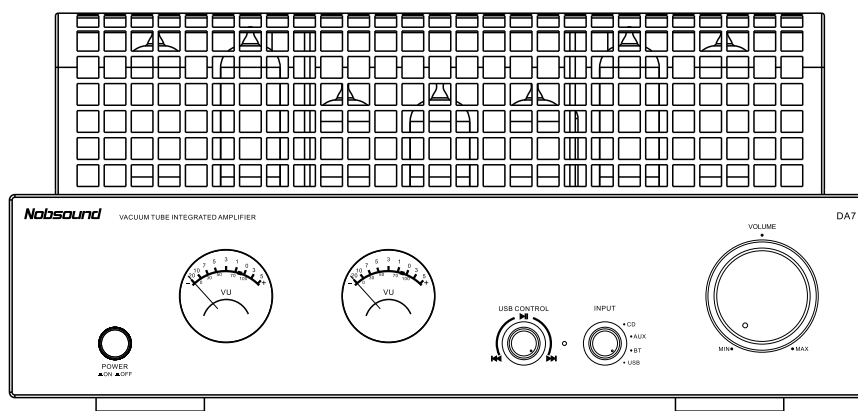


Nobsound



DA7

VACUUM TUBE INTEGRATED AMPLIFIER

Owner's Manual

Thank you very much for using the nobsound DA7 combined vacuum tube audio power amplifier.
Please read this manual carefully before use.

Content

- Content1
- Important safety precautions2
- Open the box3
- Install3
- Features4
- Safety Considerations4
- Appearance maintenance5
- Maintenance5
- Instructions before use6
- Function description of front panel7
- Function description of rear plate8
- Function description of roof9
- Audio Connection10
- Speaker connection11
- Power on12
- Machine maintenance12
- General fault handling13
- Technical parameter13
- German Introduction 14-18



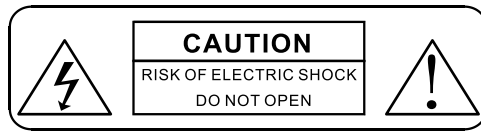
Important safety precautions

Attention - When using this electrical product, there are the following basic preventive measures:
The following includes:

1. Please read all safety precautions carefully before using this product;
2. This product should be grounded. In case of a fault, the current flows into the ground through the minimum grounding resistance to reduce electric shock; The power cord and power plug of this product are equipped with safety grounding. The power plug should be firmly inserted into the appropriate power socket, which should be installed and grounded in accordance with local regulations.

Warning: This product is a device with a similar structure and should be connected to a power output socket with a protective grounding connection. Otherwise, improper connection of the grounding device may result in electric shock. If you have any doubts about whether the product is properly grounded, please entrust a qualified electrician or maintenance personnel to inspect it; Please do not attempt to change the power plug of the product without authorization. If it is not suitable for the power socket, you can entrust a qualified electrician to install a suitable power socket.

3. In order to reduce the risk of injury, strict supervision should be carried out when the product is used near children;
4. Do not use the machine in areas with high humidity, such as near bathtubs, washbasins, kitchen sinks, basements with high humidity, or near swimming pools and lakes.
5. The product should be installed in a well ventilated area.
6. The product must be kept away from heat sources, such as electric heaters, electric blankets, or other products that generate heat.
7. The power type of the product must comply with the operating instructions or the type indicated on the product.
8. The product should be equipped with a power cord at both ends (the plug on one end is longer than the other end). This is a safety device. If you are unable to plug the power plug into a power outlet, please contact an electrician to replace the old socket.
9. Do not damage the safety device of the power plug. When not in use for a long time, please unplug the power cord from the power outlet. When unplugging the power cord from the power outlet, do not pull or tug on the power cord. Instead, grab the power plug and unplug it.
10. Take care carefully and do not let debris or liquids fall into the machine through its gaps.
11. When the following situations occur, qualified maintenance personnel should be commissioned to repair:
 - A. The power cord or plug has been damaged;
 - B. Foreign objects or liquids have fallen into the machine;
 - C. The product has been soaked in rain;
 - D. The product is no longer functioning properly or has undergone significant changes during the performance; The product has fallen or its appearance has been damaged.
12. When there is a situation that is not described in the user's repair guide, do not attempt to repair it privately. Instead, entrust qualified repair personnel to repair it.
13. Warning - Do not allow heavy objects to accumulate or step on the power cord. Do not pull, unplug, or forcefully twist the power cord. Do not misuse power cords, as unqualified power cords may cause fires or harm to people.



Caution:

To reduce the risk of electric shock, do not remove cover (or back). There are no user-serviceable parts inside. Please refer all servicing to a qualified engineer.

The lightning flash with the arrowhead symbol within an equilateral triangle is intended to alert the user to the presence of uninsulated 'dangerous voltage' within the product's enclosure that may be of sufficient magnitude to constitute a risk of electric shock to persons.



The exclamation point within an equilateral triangle is intended to alert the user to the presence of important operating and maintenance (servicing) instructions in the literature accompanying the appliance.

Warning:

1. The power plug and appliance coupler, as disconnecting devices, indicate that the disconnecting device should be kept easy to operate.
2. Ensure the correct and secure installation and interconnection of devices in multimedia systems. To prevent injury, the power output socket of the grid must be firmly fixed on the floor/wall.
3. For power output sockets and interconnection couplers installed on Class devices, only Class devices should be allowed to be connected, or protective grounding contacts that are reliably connected to the protective grounding terminals or contacts of the devices should be installed.

Proposal

This product is designed with original parts from our company, achieving the best design and performance. We are not responsible for any damage or accidents caused by the use of non original parts from our company.

Attention: Any damage to this product caused by the use of non original parts from our company is not covered by the warranty, but users can pay for repairs.

Open the box

Before opening the box, carefully inspect the packaging for any falls, damages, or wet marks, and place the box with the arrow pointing upwards.

Open the packaging box, the packing list is as follows:

1. One DA7 combined vacuum tube audio power amplifier.
2. One user manual for the product.
3. A product warranty card.
4. One power cord.
5. One spare fuse (installed in the AC input socket).

Install

Before installing this device, please confirm again that other related devices are in normal condition. Attention should be paid to the following matters when placing the amplifier:

- ① Do not place the power amplifier in a place where sunlight can directly shine or close to other heat sources .
- ② To prevent overheating, it is necessary to ensure that the amplifier's heat dissipation holes are not covered by other objects.
- ③ Avoid erosion by moisture or dust.
- ④ When placing this machine, it should be ensured that it is easy to connect with the power supply and other related equipment.
- ⑤ The machine should be placed steadily to ensure even force distribution on all four legs
- ⑥ The distance between the power amplifier and the surrounding walls should be kept at least 15cm

be careful:

The normal working power supply of this amplifier is AC 220V~±5%. Please confirm whether the power supply voltage meets the requirements. High or low voltage may cause the machine to malfunction and even endanger its service life.

Proposal

Keep all packaging materials, you may need to repack them during transportation in the future. Please fill out the product warranty card immediately and send it back to our company for comprehensive and thoughtful after-sales service.

Attention: Before plugging in the power plug, it is necessary to carefully check whether the voltage indicated on the back panel of this machine matches the local voltage. If the voltage on the machine is not appropriate, it may cause a fire or damage to the machine. If you find that the voltage indicated does not match the local standard, please contact the dealer.

Note: Parts outside the packing list are not included

Features

- ◆ V5.0 high-performance Bluetooth chip, supporting 24bit, 96KHz format
- ◆ HiFi tube pure gallbladder amplifier
- ◆ Using two high-quality wideband EI output transformers
- ◆ Use a specially developed ring power transformer for this machine
- ◆ Three 6N1 vacuum tubes are used for the voltage amplification stage and the propulsion stage
- ◆ The power amplification stage uses four 6P1 vacuum tubes for AB1 push-pull power amplification
- ◆ Convenient installation of metal vacuum tube protective cover

Safety precautions

If the machine is not in use for a long time, the power plug should be unplugged from the AC socket.

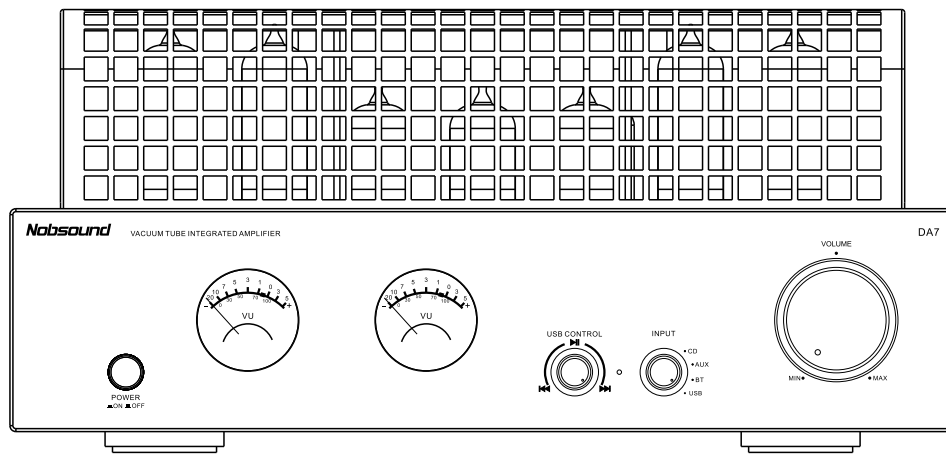
2. When working for a long time, the surface temperature is high. Do not block the ventilation holes and place the machine in a ventilated area. Excessive temperature inside the machine due to poor ventilation can cause malfunctions or fires.
3. This machine is not allowed to be unloaded to avoid damaging the machine.
4. The output terminal of this machine is not allowed to short circuit to avoid damaging the machine.
5. Do not perform any internal maintenance or adjustment on your own, or touch any internal components. Because this may damage the components or cause electric shock.
6. The company is not responsible for any performance deterioration or damage caused by internal modifications. Any repairs can only be carried out by professional maintenance personnel.
7. This machine is strictly prohibited from being hit by water droplets or splashes. Do not place objects filled with liquid, such as vases, to avoid electric shock or damage to the machine.
8. Use a soft cloth to clean the panel and peripherals at regular intervals. Avoid using any type of diluent, alcohol, or other volatile liquids to wipe. Because they can damage the surface layer, create spots on the surface, and erase various marks. Do not use insecticides near the machine.
9. Handle with care during transportation to avoid damaging the machine.

Maintenance of appearance

Attention:

The casing should be cleaned regularly with a soft cloth.

Do not use chemical cloths or other chemicals.

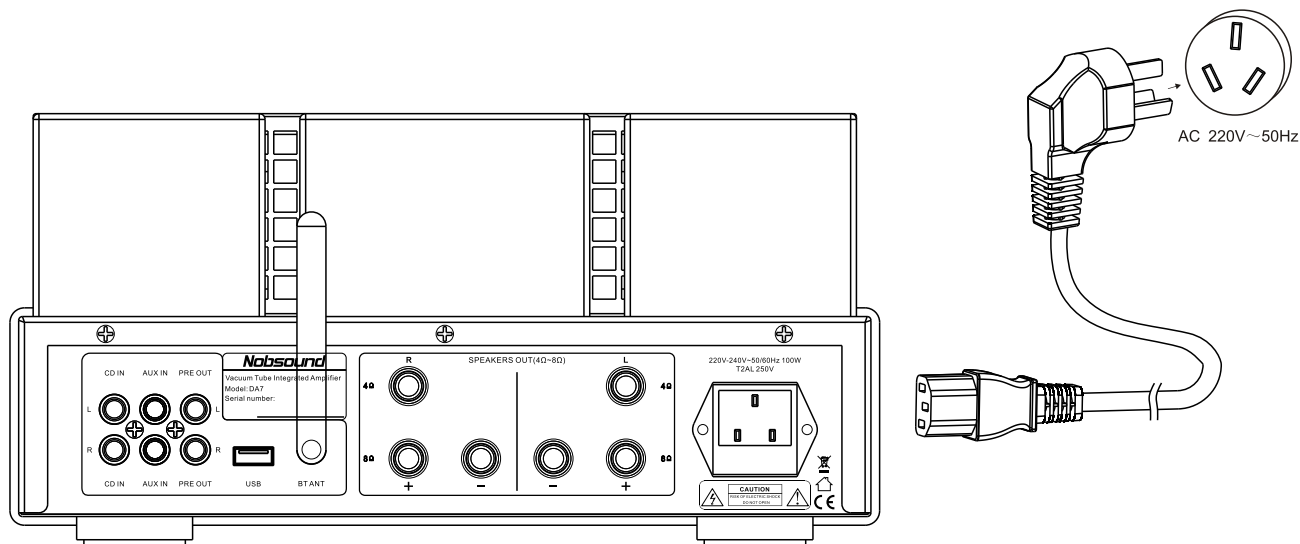


Maintenance

1. The warranty period for this product is one year (3 months for electronic tube warranty).
2. During the liability period, our company guarantees the repair of quality problems that occur with the product under normal use, provided that the product obtains a repair permit and is shipped to the warranty unit or returned to Guangzhou Nuosheng Electric Appliance Co., Ltd.
3. If the machine is opened without the permission of our company, the warranty commitment will become invalid.

Note: The information in this manual is subject to change without prior notice.

Notice before use



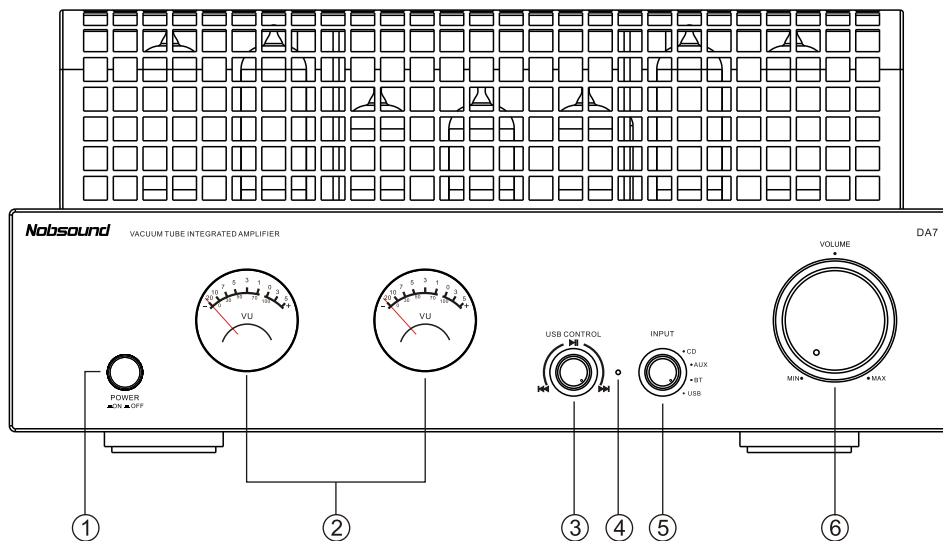
Connection of AC power cord

After connecting the speaker and audio source, turn on the AC power of the host
Adequate space should be maintained around the power socket (AC INPUT) for easy insertion/removal of power cords

Attention to use

- ◆ All equipment and speakers must be connected before the power can be turned on.
- ◆ If the power transformer of this machine is used for a long time, it will heat up, which is a normal phenomenon.
- ◆ If the machine is not used for a long time, please unplug the power plug.
- ◆ The voltage used by this machine must be in accordance with the specifications. The company is not responsible for any fire or other accidents caused by the use of voltage outside the regulations.

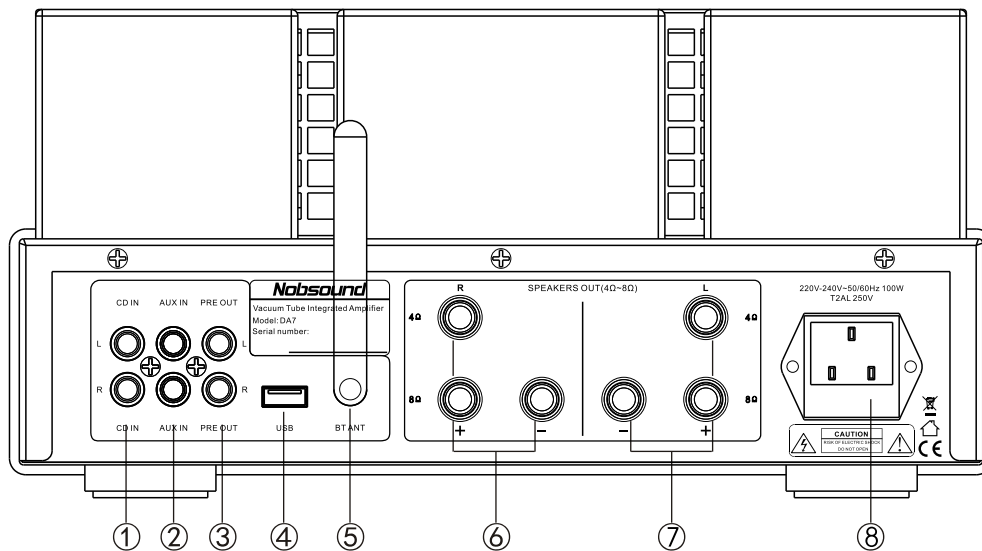
Front panel function description



- ① Power Switch: used to turn on and off the power amplifier power supply.
- ② VU monitoring Meter: used to monitor the signal strength during the operation of power amplifier tubes.
- ③ USB control/Bluetooth control
▶|| Play pause ◀◀ previous song ▶▶ Next song
- ④ Bluetooth indicator light USB indicator light
Turn the input translation knob to the BT position, and the blue LED will slow down when not connected; When connected, it is constantly on. Turn on the Bluetooth function in your device (such as your phone), search for Bluetooth, and the Bluetooth name is "DA7". Pair your phone with "DA7" and connect it (the blue LED will remain on), then play your voice. Turn the input knob to USB mode, and the status indicator light will be constantly on.
- ⑤ SELECTOR:
Used for stacking audio sources, it can stack four audio sources.
When inputting CDs, it can listen to the sound played by CDs.
When stacking AUX, it can listen to the sound played by AUX.
When stacking BT, it can listen to the sound played by BT (Bluetooth).
When stacking USB, it can listen to the sound played by U.
- ⑥ Volume control knob (VOLUME):
This knob can control the volume of the sound, gradually increasing in a clockwise direction and decreasing in a counterclockwise direction.

Attention: When not in use for a long time, the power plug should be unplugged from the AC socket.

Rear panel function description



① CD input

② AUX input

③ PREOUT: Output controlled

④ USB socket

⑤ Bluetooth antenna access terminal: used for installing Bluetooth antennas

⑥ Right sound output terminal:

Used to connect the right speaker (matching the connection based on the speaker impedance).

⑦ Left sound output terminal:

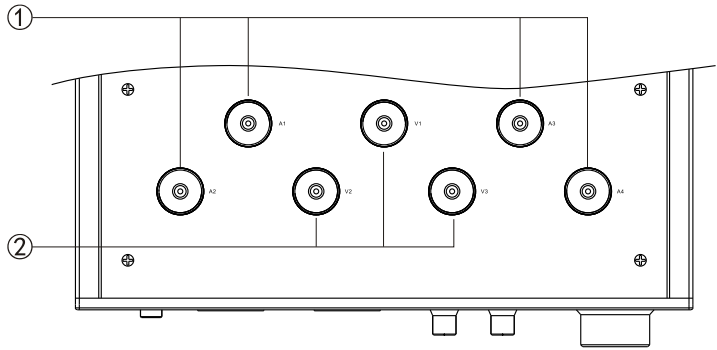
Used to connect the left speaker (matching the connection based on the speaker impedance).

⑧ Power input socket, fuse holder (FUSE): AC 220V~power input from here. There is a fuse installed inside the fuse holder.

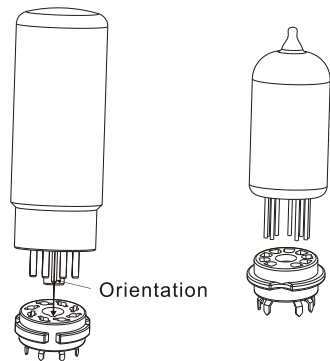
Please use a fuse of the same specification when replacing the fuse.

Attention: The power supply voltage used in this machine must match the voltage indicated on the back panel of the machine. Our company is not responsible for any fire or other accidents caused by the use of power supply voltages other than the indicated voltage.

Top plate function description



- ① A1, A2, A3, A4: 6P1 vacuum tube
- ② V1, V2, V3: 6N1 vacuum tube



POWER TUBE(bile duct) installation diagram

Attention:

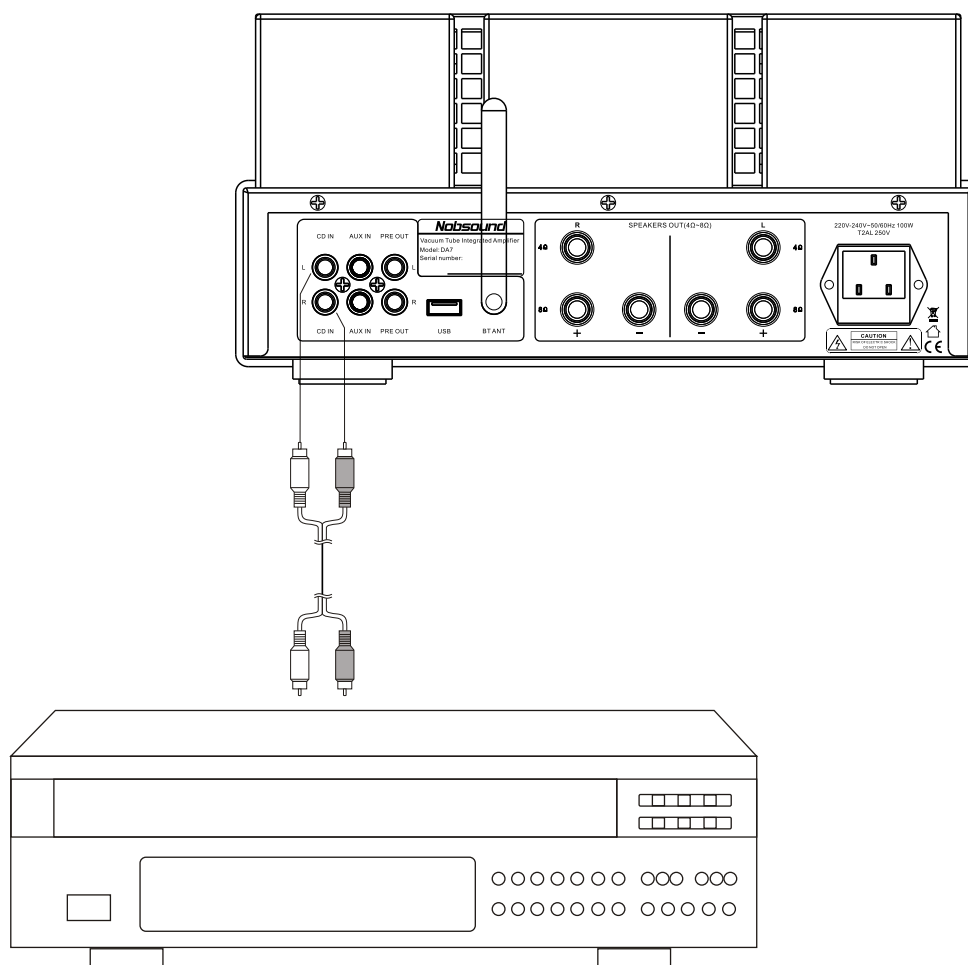
The surface temperature of the power tube is very high during operation, please be careful of burns.

- ◆ When replacing the power tube, please hold the root of the power tube with your hand and Insert it vertically after turning off the power switch of the amplifier for 20 minutes to prevent the tube key from breaking. Pay attention to aligning the positioning port of the tube seat with the positioning of the power tube.
- ◆ Power tubes should be paired for use.



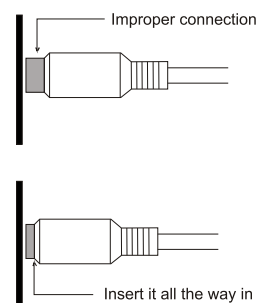
Audio Connection

This is a standard method for connecting the main equipment to DA7.



Attention to audio connection:

1. Always refer to the instructions provided with the equipment to be connected;
2. Do not plug in the power cord until all connections are completed;
3. The R mark is used to indicate the right channel; The L mark is used to indicate the left channel;
4. Please firmly insert all plugs and connection ends. Improper connection can lead to noise, poor performance, or equipment damage;
5. Do not tie the audio cable together with the power cable and speaker cable, as it may have a negative impact on sound quality.



Attention: Do not connect the positive and negative poles in reverse, and do not connect the left and right channels in reverse.

Power on

Before starting up, please confirm again whether all connections are correct and whether the power supply voltage is normal.

- ◆ Turn on the power and the VU indicator light will turn on, indicating that the device is working normally. If the VU indicator light remains off, it indicates that there is an internal fault in the machine. Please immediately turn off the power and contact the dealer or our company.
- ◆ This machine uses vacuum tube amplification, and it needs to be preheated for two to three minutes before starting up (the filament of the vacuum tube needs some time from being turned on to a stable state of light emission). Before heating up, the sound of the speaker will be distorted, which is a normal state.
- ◆ After your audio source works normally, select the correct audio channel, adjust the volume control knob to the appropriate volume, and you can enjoy high-quality music.

Attention:

- ◆ When your audio system is working, do not plug or unplug signal or speaker cables to avoid damaging the device and other equipment.
- ◆ After each power switch is turned off, there should be a 2-minute interval before turning it on to avoid damaging the vacuum tube.

Machine maintenance

Before using the electrical appliance, please carefully read the safety operation instructions and product manual to ensure safe and correct operation.

Save the instruction manual - Please keep the safety operation instructions and product manual for future reference.

Warning signs - please be careful not to tear or erase the product number.

Operation steps - Please strictly follow the operation steps or usage steps in the user manual.

When using accessories - accessories not provided by the manufacturer of this product (such as power cords, fuses, etc.) must comply with the safety requirements of the product, otherwise improper use may cause danger.

Placement - Do not place this product on uneven carts, shelves, tripods, wall racks, or simple bookshelves as it may fall and injure children or adults, and the product may also be damaged.

Power Supply - This product can only use the AC power supply type indicated on its own. If you are unsure about the power supply type at home, please contact your distributor or power supply department.

Excessive line load - When connecting other electrical appliances to the power socket that supplies power to this product, please be careful not to overload, otherwise it may cause fire or electric shock.

Repair service - Do not disassemble the machine and adjust internal component parameters at will to prevent electric shock. Unauthorized opening of the hood will void the warranty. Troubleshooting 1- If you encounter problems while using the product, you can analyze or troubleshoot the problem using the following methods. When you are unable to troubleshoot, please contact the company's sales team or request professional repair personnel to assist in resolving the issue.

Trouble Shooting

In order to maintain its excellent performance, please pay attention to proper maintenance and operation. Incorrect operation can lead to misidentification as a malfunction. If there is a problem with this device, please check the following items. Sometimes the problem may occur on other devices. Please check the other devices and related connection lines. If the fault is not resolved, please contact the dealer or sales department of our Company.

Fault phenomenon		Possible reasons	Resolvent
Silent startup	The indicator light is not on	The power supply is not connected	Check the power supply circuit and wiring
		The fuse is broken	Replace the fuse with the same specification
	The indicator light is on	No signal input	Check if the audio source is normal Check if the amplifier audio source selection is correct
		Volume potentiometer at minimum	Adjust the volume knob to the appropriate position
Excessive noise		Open circuit or poor contact of input signal line ground wire	Replace or reconnect the signal line
		Internal machine malfunction	Please contact the dealer or warranty unit
Poor sense of sound field positioning		The left and right channels of the input and output are reversed, or the positive and negative poles of the speaker are reversed	Reconnect as required

Technical parameters

Rated output power: 12W+12W(4 Ω)
8W+8W(8 Ω)

Frequency response: 10Hz-40kHz(-3dB)

Harmonic distortion: 1%(1kHz)

Signal to Noise Ratio: 85dB

[Input sensitivity]: 300mV

[Input impedance]: 100k Ω

Output impedance: 4 Ω, 8 Ω

Power Supply : 220-240V~50/60Hz or 110V~50/60Hz

Power consumption of the whole machine : 150W

Using a vacuum tube: 6P1, 6N1

Product size: 318(W)*305(D)*155(H)mm

Net weight: 7.6kg

Gross weight: 8.5kg

Working conditions : Temperature: 0°C-40°C Humidity: 20% ~80%

Storage conditions: Temperature -20°C-70 °C Humidity 20%~90%

Wichtige Sicherheitsvorkehrungen

Achtung - Beim Einsatz dieses Elektroproduktes sind folgende grundsätzliche Vorsichtsmaßnahmen zu beachten:

Hierzu zählen:

1. Bitte lesen Sie alle Sicherheitsvorkehrungen sorgfältig durch, bevor Sie dieses Produkt verwenden.
2. Dieses Produkt sollte geerdet werden. Im Fehlerfall fließt der Strom durch den minimalen Erdungswiderstand in den Boden, um Stromschläge zu vermeiden. Das Netzkabel und der Netzstecker dieses Produkts sind mit einer Sicherheitserdung ausgestattet. Der Netzstecker sollte fest eingesteckt sein in die entsprechende Steckdose, die gemäß den geltenden Vorschriften installiert und geerdet werden muss. Vorschriften.

Achtung: Dieses Produkt ist ein Gerät mit ähnlicher Struktur und sollte an eine Steckdose mit Schutzerdung angeschlossen werden.

Andernfalls kann ein unsachgemäßer Anschluss der Erdungsvorrichtung zu einem Stromschlag führen. Wenn Sie Zweifel haben, ob das Produkt ordnungsgemäß geerdet ist, beauftragen Sie bitte einen qualifizierten Elektriker oder Wartungspersonal mit der Überprüfung. Bitte versuchen Sie nicht, den Netzstecker zu wechseln.

des Produkts eigenmächtig. Sollte es nicht für die Steckdose geeignet sein, können Sie einen qualifizierten Elektriker mit der Installation einer passenden Steckdose beauftragen.

3. Um das Verletzungsrisiko zu verringern, sollte eine strenge Überwachung durchgeführt werden, wenn das Produkt wird in der Nähe von Kindern verwendet;
4. Verwenden Sie die Maschine nicht in Bereichen mit hoher Luftfeuchtigkeit, beispielsweise in der Nähe von Badewannen, Waschbecken, Küchenspülen, Kellern mit hoher Luftfeuchtigkeit oder in der Nähe von Schwimmbädern und Seen.
5. Das Produkt sollte in einem gut belüfteten Bereich installiert werden.
6. Das Produkt muss von Wärmequellen wie elektrischen Heizgeräten, Heizdecken, oder andere Produkte, die Wärme erzeugen.
7. Die Leistungsart des Produktes muss der Betriebsanleitung bzw. dem angegebenen Typ entsprechen auf dem Produkt.
8. Das Produkt sollte an beiden Enden mit einem Netzkabel ausgestattet sein (der Stecker an einem Ende ist länger als das andere Ende). Dies ist eine Sicherheitsvorrichtung. Wenn Sie den Netzstecker nicht in eine Steckdose stecken können, wenden Sie sich bitte an einen Elektriker, um die alte Steckdose auszutauschen.
9. Beschädigen Sie nicht die Sicherung des Netzsteckers. Wenn Sie das Gerät längere Zeit nicht benutzen, Ziehen Sie das Netzkabel aus der Steckdose. Ziehen Sie beim Herausziehen des Netzkabels aus der Steckdose nicht am Netzkabel. Fassen Sie stattdessen den Netzstecker und ziehen Sie ihn heraus.
10. Gehen Sie vorsichtig vor und achten Sie darauf, dass keine Fremdkörper oder Flüssigkeiten durch die Öffnungen in die Maschine gelangen.
11. Wenn die folgenden Situationen auftreten, sollte qualifiziertes Wartungspersonal beauftragt werden reparieren:
 - A. Das Netzkabel oder der Stecker ist beschädigt;
 - B. Fremdkörper oder Flüssigkeiten sind in die Maschine gelangt;
 - C. Das Produkt wurde im Regen durchnässt;
 - D. Das Produkt funktioniert nicht mehr ordnungsgemäß oder wurde während der Leistung erheblich verändert. Das Produkt ist heruntergefallen oder sein Aussehen wurde beschädigt.
12. Wenn eine Situation auftritt, die nicht in der Reparaturanleitung des Benutzers beschrieben ist, versuchen Sie nicht, Lassen Sie das Gerät nicht privat reparieren. Überlassen Sie die Reparatur stattdessen einem qualifizierten Reparaturpersonal.
13. Warnung - Lassen Sie keine schweren Gegenstände auf dem Netzkabel liegen und treten Sie nicht darauf. Ziehen Sie nicht am Netzkabel, ziehen Sie es nicht heraus und verdrehen Sie es nicht gewaltsam. Verwenden Sie Netzkabel nicht unsachgemäß, da ungeeignete Netzkabel Brände oder Verletzungen verursachen können.

Merkmale

- ◆ V5.0 Hochleistungs-Bluetooth-Chip, unterstützt 24-Bit, 96-kHz-Format
- ◆ HiFi Röhrenreinverstärker
- ◆ Verwendung von zwei hochwertigen Breitband-El-Ausgangstransformatoren
- ◆ Verwenden Sie für diese Maschine einen speziell entwickelten Ringnetztransformator
- ◆ Drei 6N1 Vakuumröhren werden für die Spannungsverstärkungsstufe und den Antrieb verwendet
Bühne
- ◆ Die Leistungsverstärkungsstufe verwendet vier 6P1-Vakuumröhren für AB1-Gegentaktleistung
Verstärkung
- ◆ Bequeme Installation der Metall-Vakuumröhren-Schutzabdeckung

Sicherheitsvorkehrungen

Wenn die Maschine längere Zeit nicht benutzt wird, sollte der Netzstecker aus der Steckdose gezogen werden.
Buchse.

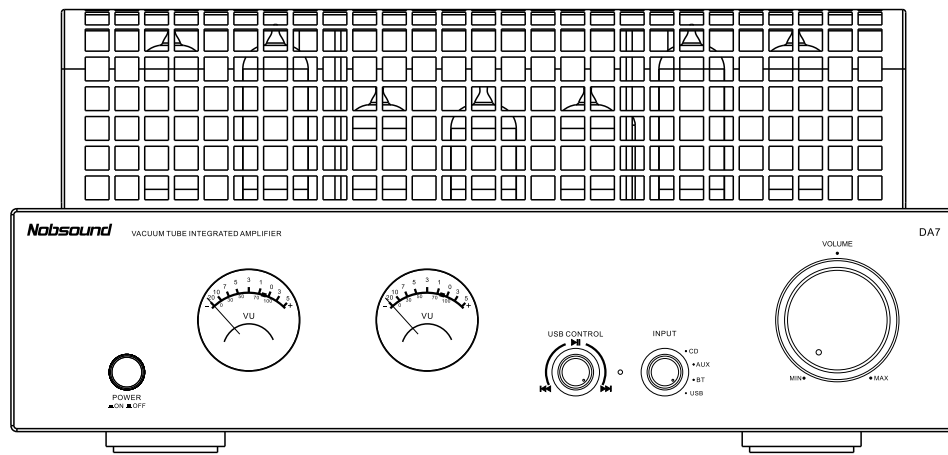
2. Bei längerem Arbeiten ist die Oberflächentemperatur hoch. Blockieren Sie die Belüftung nicht
Löcher und stellen Sie die Maschine in einen belüfteten Bereich. Übermäßige Temperatur im Inneren der Maschine
aufgrund mangelnder Belüftung kann es zu Funktionsstörungen oder Bränden kommen.
3. Um eine Beschädigung der Maschine zu vermeiden, darf diese Maschine nicht entladen werden.
4. Der Ausgangsanschluss dieser Maschine darf nicht kurzgeschlossen werden, um eine Beschädigung des
Maschine.
5. Führen Sie keine internen Wartungs- oder Einstellungsarbeiten selbst durch und berühren Sie keine internen
Komponenten. Dies kann zu einer Beschädigung der Komponenten oder einem Stromschlag führen.
6. Das Unternehmen ist nicht verantwortlich für Leistungseinbußen oder Schäden, die durch
interne Änderungen. Eventuelle Reparaturen können nur von professionellen Wartungspersonal durchgeführt werden.
Personal.
7. Es ist strengstens verboten, diese Maschine mit Wassertropfen oder Spritzern zu besprühen. Stellen Sie sie nicht
mit Flüssigkeit gefüllte Gegenstände wie beispielsweise Vasen, um einen Stromschlag oder eine Beschädigung der Maschine zu vermeiden.
8. Reinigen Sie das Panel und die Peripheriegeräte regelmäßig mit einem weichen Tuch.
von Verdünnungsmittel, Alkohol oder anderen flüchtigen Flüssigkeiten zum Abwischen. Da sie die Oberfläche beschädigen können
e Schicht, Flecken auf der Oberfläche erzeugen und verschiedene Markierungen entfernen. Verwenden Sie keine Insektizide in der Nähe
der Maschine.
9. Gehen Sie beim Transport vorsichtig vor, um eine Beschädigung der Maschine zu vermeiden.

Pflege des Erscheinungsbildes

Aufmerksamkeit:

Das Gehäuse sollte regelmäßig mit einem weichen Tuch gereinigt werden.

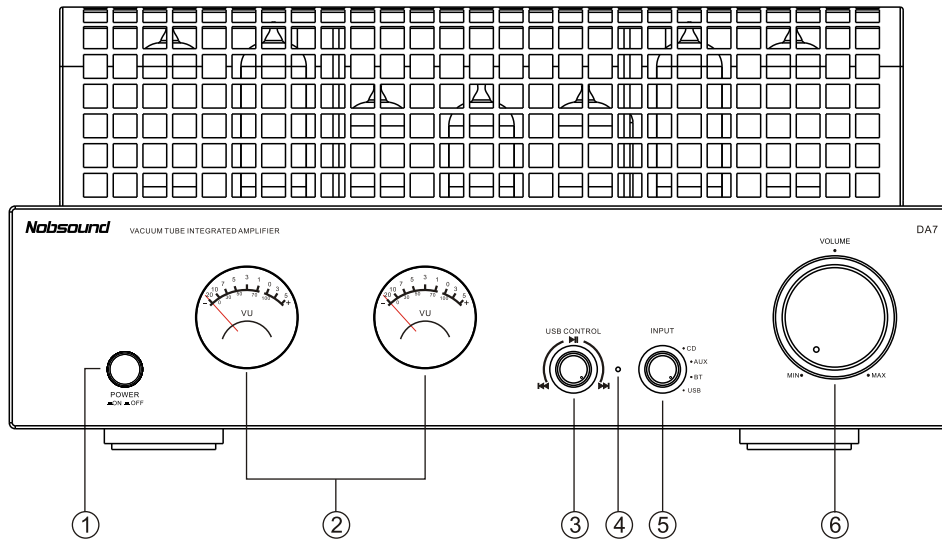
Verwenden Sie keine Chemietücher oder andere Chemikalien.



Wartung

1. Die Garanzzeit für dieses Produkt beträgt ein Jahr (3 Monate für die Garantie auf die Elektronenröhre).
2. Während der Haftungsfrist garantiert unser Unternehmen die Reparatur von Qualitätsproblemen, die auftreten mit dem Produkt bei normalem Gebrauch, vorausgesetzt, dass das Produkt eine Reparaturgenehmigung erhält und an die Garantiefabrik versendet oder an Guangzhou Nuosheng Electric Appliance Co., Ltd. zurückgesandt.
3. Wird die Maschine ohne Zustimmung unseres Unternehmens geöffnet, erlischt die Garantiepflichtung werden ungültig.

Hinweis: Die Informationen in diesem Handbuch können ohne vorherige Ankündigung geändert werden.



- ① Netzschalter: dient zum Ein- und Ausschalten der Stromversorgung des Leistungsverstärkers.
- ② VU-Überwachungsmessgerät: dient zur Überwachung der Signalstärke während des Betriebs von Leistungsverstärkerröhren.

③ USB-Steuerung/Bluetooth-Steuerung

⏮ Vorheriges ⏪ Lied abspielen/pausieren ⏩ Nächstes Lied

④ Bluetooth-Anzeigelampe USB-Anzeigelampe

Drehen Sie den Eingangsübersetzungsknopf auf die Position BT. Die blaue LED leuchtet langsamer, wenn keine Verbindung besteht. Wenn eine Verbindung besteht, leuchtet sie konstant. Schalten Sie die Bluetooth-Funktion in Ihrem Gerät (z. B. Ihrem Telefon) ein, suchen Sie nach Bluetooth. Der Bluetooth-Name lautet „DA7“.

Koppeln Sie Ihr Telefon mit „DA7“ und verbinden Sie es (die blaue LED leuchtet konstant). Spielen Sie dann Ihre Stimme ab.

Drehen Sie den Eingabeknopf in den USB-Modus und die Statusanzeige leuchtet konstant.

⑤ WÄHLER:

Wird zum Stapeln von Audioquellen verwendet. Es können vier Audioquellen gestapelt werden.

Beim Einlegen von CDs können Sie den von CDs wiedergegebenen Ton anhören.

Beim Stapeln von AUX kann der von AUX wiedergegebene Ton angehört werden.

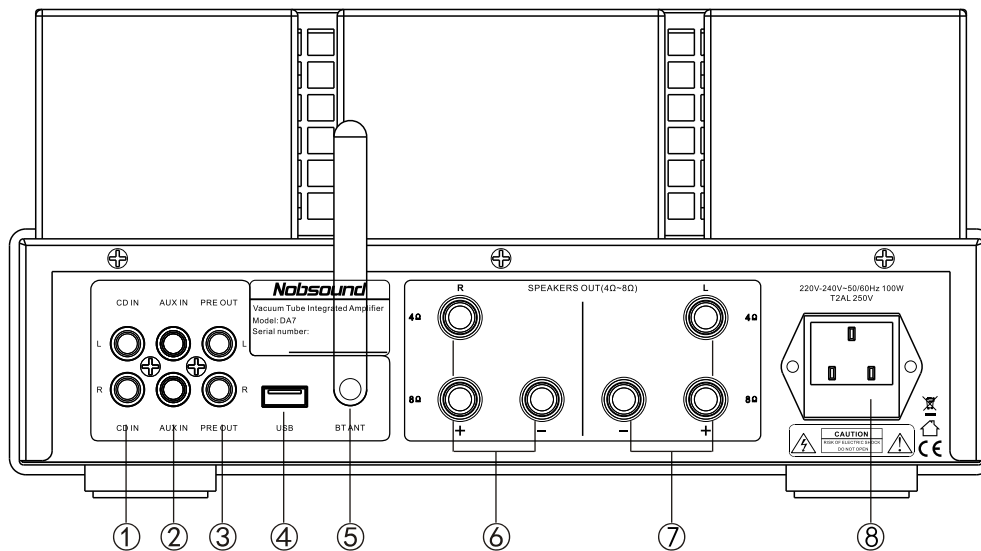
Beim Stapeln von BT kann der über BT (Bluetooth) wiedergegebene Ton gehört werden.

Beim Stapeln von USB kann der von U wiedergegebene Ton angehört werden.

⑥ Lautstärkereglern (VOLUME):

Mit diesem Knopf können Sie die Lautstärke des Tons regeln, indem Sie ihn im Uhrzeigersinn allmählich erhöhen und Abnehmend gegen den Uhrzeigersinn.

Achtung: Bei längerem Nichtgebrauch sollte der Netzstecker aus der Netzsteckdose gezogen werden.



- ① CD-Eingang
- ② AUX-Eingang
- ③ PREOUT: Ausgang gesteuert
- ④ USB-Buchse
- ⑤ Bluetooth-Antennenzugangsterminal: wird für die Installation von Bluetooth-Antennen verwendet
- ⑥ Rechter Tonausgangsanschluss:
Dient zum Anschließen des richtigen Lautsprechers (Anpassen der Verbindung basierend auf dem Lautsprecher Impedanz).
- ⑦ Linker Tonausgangsanschluss:
Dient zum Anschluss des linken Lautsprechers (Anpassung der Verbindung anhand der Lautsprecherimpedanz).
- ⑧ Stromeingangsbuchse, Sicherungshalter (SICHERUNG): AC 220 V~Stromeingang von hier. Im Sicherungshalter ist eine Sicherung eingebaut.

Bitte verwenden Sie beim Austausch der Sicherung eine Sicherung gleicher Spezifikation.

Achtung: Die in dieser Maschine verwendete Netzspannung muss mit der auf der Rückseite der Maschine angegebenen Spannung übereinstimmen. Unser Unternehmen ist nicht verantwortlich für Brände oder andere Unfälle, die durch die Verwendung einer anderen als der angegebenen Netzspannung verursacht werden.