

# MAYTAG NEPTUNE® DRYER

---

# USER

---

# G U I D E

## TABLE OF CONTENTS

Safety Instructions .....	1-2
Dryer Exhaust Tips .....	3
Operating Tips .....	4
Controls at a Glance .....	5-6
Special Laundry Tips .....	7
Care and Cleaning .....	8
Replace Drum Light .....	8
Reverse the Door .....	8
Before You Call .....	9
Drying Rack .....	10
Warranty .....	11
Guide de l'utilisateur .....	12
Guía del Usuario .....	24

## WELCOME

Welcome and congratulations on your purchase of a Maytag Neptune® dryer! Your complete satisfaction is very important to us. For best results, we suggest reading this material to help acquaint you with proper operating and maintenance procedures.

Should you need assistance in the future, it is helpful to:

- 1) Have complete model and serial number identification of your dryer. This is located on a data plate in the lower center of the door opening.

Date of Purchase \_\_\_\_\_

Model Number \_\_\_\_\_

Serial Number \_\_\_\_\_

- 2) **IMPORTANT: Keep this guide and the sales receipt in a safe place for future reference. Proof of original purchase date is needed for warranty service.**

If you have questions, call:

Maytag Customer Assistance  
1-800-688-9900 USA  
1-800-688-2002 CANADA  
1-800-688-2080 USA TTY  
(for deaf, hearing impaired or speech impaired)  
(Mon.–Fri., 8am–8pm Eastern Time)  
<http://www.maytag.com>

**For service and warranty information, see page 11.**

**NOTE: In our continuing effort to improve the quality of our appliances, it may be necessary to make changes to the appliance without revising this guide.**

## IMPORTANT SAFETY INSTRUCTIONS

read before operating your dryer

### WHAT YOU NEED TO KNOW ABOUT SAFETY INSTRUCTIONS

Warning and Important Safety Instructions appearing in this manual are not meant to cover all possible conditions and situations that may occur. Common sense, caution, and care must be exercised when installing, maintaining or operating appliance.

Always contact your dealer, distributor, service agent, or manufacturer about problems or conditions you do not understand.

### RECOGNIZE SAFETY SYMBOLS, WORDS, LABELS

#### **WARNING**

**WARNING** – Hazards or unsafe practices which **COULD** result in severe personal injury or death.

#### **CAUTION**

**CAUTION** – Hazards or unsafe practices which **COULD** result in minor personal injury.

#### **WARNING**

For your safety, the information in this manual must be followed to minimize the risk of fire or explosion or to prevent property damage, personal injury or death.

- Do not store or use gasoline or other flammable vapors and liquids in the vicinity of this or any other appliance.

#### **WHAT TO DO IF YOU SMELL GAS:**

- Do not try to light any appliance.
- Do not touch any electrical switch.
- Do not use any phone in your building.
- Clear the room, building or area of all occupants.
- Immediately call your gas supplier from a neighbor's phone. Follow the gas supplier's instructions.
- If you cannot reach your gas supplier, call the fire department.

Installation and service must be performed by a qualified installer, service agency or the gas supplier.

#### **WARNING**

To reduce the risk of fire, electric shock or injury to persons when using the appliance, follow basic precautions, including the following:

- 1 Read all instructions before using the appliance.
- 2 To avoid the possibility of fire or explosion:
  - Do not dry items that have been previously cleaned in, washed in, soaked in, or spotted with gasoline, dry-cleaning solvents, other flammable or explosive substances as they give off vapors that could ignite or explode. Any material on which you have used a cleaning solvent, or which is saturated with flammable liquids or solids, should not be placed in the dryer, until all traces of these flammable liquids or solids and their fumes have been removed. There are many highly flammable items used in homes, such as: acetone, denatured alcohol, gasoline, kerosene, some liquid household cleaners, some spot removers, turpentine, waxes and wax removers.
  - Items containing foam rubber (may be labeled latex foam) or similarly textured rubber-like materials must not be dried on a heat setting. Foam rubber materials when heated, can under certain circumstances produce fire by spontaneous combustion.
- 3 Do not allow children to play on or in the appliance. Close supervision of children is necessary when the appliance is used near children.
- 4 Before the appliance is removed from service or discarded, remove the door to the drying compartment.
- 5 Do not reach into the appliance if the drum is moving.
- 6 Do not install or store this appliance where it will be exposed to the weather.
- 7 Do not tamper with controls.
- 8 Do not repair or replace any part of the appliance or attempt any servicing unless specifically recommended in published user-repair instructions that you understand and have the skills to carry out.
- 9 Do not use fabric softeners or products to eliminate static unless recommended for dryer use by the manufacturer of the fabric softener or product.
- 10 Clean the lint screen before or after each load.
- 11 Keep the area around the exhaust opening and surrounding areas free from lint accumulation, dust and dirt.
- 12 The interior of the dryer and exhaust duct should be cleaned periodically by qualified service personnel.
- 13 This appliance must be properly grounded. Never plug the appliance cord into a receptacle which is not grounded adequately and in accordance with local and national codes. See installation instructions for grounding this appliance.
- 14 Do not sit on top of the clothes dryer.

## WARNING

**WARNING** – Do not place into your dryer items that have been spotted or soaked with vegetable oil or cooking oil. Even after being washed, these items may contain significant amounts of these oils. The remaining oil can ignite spontaneously. The potential for spontaneous ignition increases when the items containing vegetable oil or cooking oil are exposed to heat. Heat sources, such as your clothes dryer, can warm these items, allowing an oxidation reaction in the oil to occur. Oxidation creates heat. If this heat cannot escape, the items can become hot enough to catch fire. Piling, stacking or storing these kinds of items may prevent heat from escaping and can create a fire hazard.

All washed and unwashed fabrics that contain vegetable oil or cooking oil can be dangerous. Washing these items in hot water with extra detergent will reduce, but will not eliminate, the hazard. Always use the “cool down” cycle for these items to reduce the items’ temperature. Never remove these items from the clothes dryer hot or interrupt the drying cycle until the items have run through the “cool down” cycle. Never pile or stack these items when they are hot.

## WARNING

**WARNING** – Gas leaks may occur in your system and result in a dangerous situation. Gas leaks may not be detected by smell alone. Gas suppliers recommend you purchase and install an UL approved gas detector. Install and use in accordance with the manufacturer's instructions.

**IMPORTANT:** *Because of continuing product improvements, Maytag reserves the right to change specifications without notice. For complete details, see the Installation Instructions packed with your product before selecting cabinetry, making cutouts or beginning installation.*

## SAVE THESE INSTRUCTIONS

# DRYER EXHAUST TIPS

## ⚠ WARNING

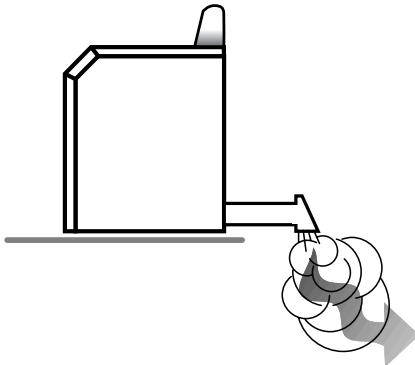
⚠ **WARNING** – Plastic or nonmetal flexible duct presents a potential fire hazard.

### Do

Read the installation instructions and the user guide.

### Do

Let your dryer exhaust the air easily.

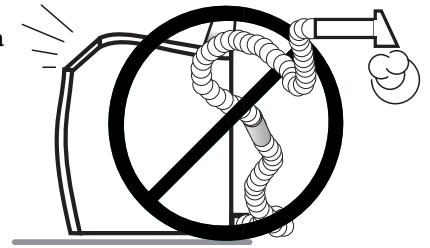


### DON'T

Let a poor exhaust system cause slow drying.

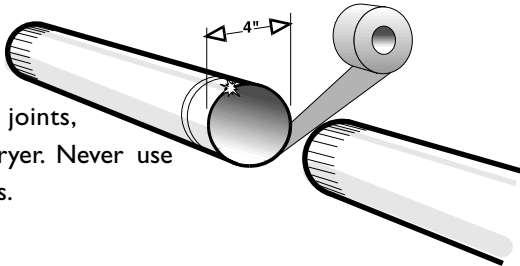
### DON'T

Restrict your dryer with a poor exhaust system.



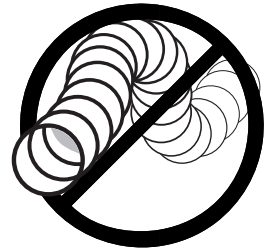
### Do

Use 4 inch diameter rigid metal duct. Tape all joints, including at the dryer. Never use lint-trapping screws.



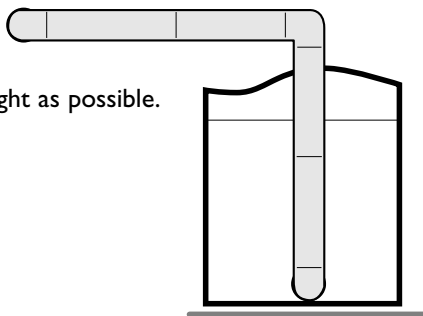
### DON'T

Use plastic, thin foil, or non-metal flexible duct.



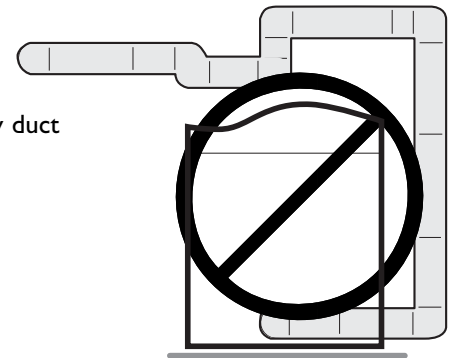
### Do

Keep duct runs as straight as possible.



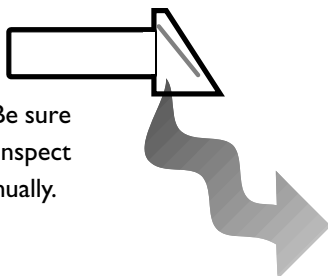
### DON'T

Use longer than necessary duct runs with many elbows.



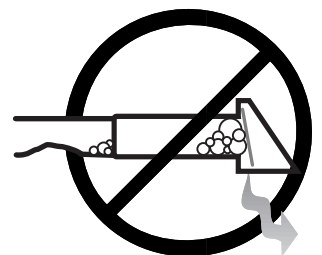
### Do

Clean all old ducts before installing your new dryer. Be sure vent flap opens and closes freely. Inspect and clean the exhaust system annually.



### DON'T

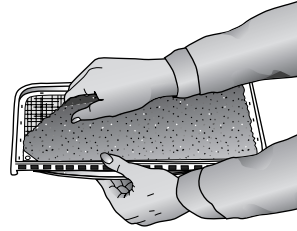
Allow crushed or clogged ducts and vent.



## OPERATING TIPS

### CLEAN THE LINT FILTER

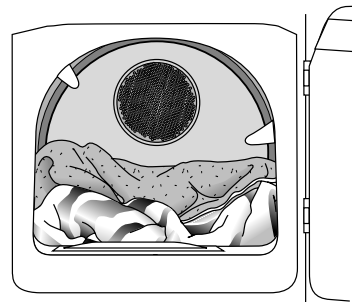
- After each load.
- To shorten drying time.
- To operate more energy efficiently.



**NOTE:** Do not operate the dryer without the lint filter in place.

### LOAD THE DRYER PROPERLY

- By placing only one wash load in the dryer at a time.
- Avoid very small loads or mixing heavyweight and lightweight clothes.
- When only one or two articles need drying, add a few similar items to improve tumbling and drying efficiency.
- When drying large, bulky items such as a blanket or comforter, it may be necessary to reposition the load during the cycle to ensure even drying.



### ADD A FABRIC SOFTENER SHEET (IF DESIRED)

- After loading the dryer.
- To control static cling.
- Before the load becomes warm. This helps prevent greasy-looking softener stains.
- And remove any used softener sheets from the dryer to prevent greasy-looking softener stains.

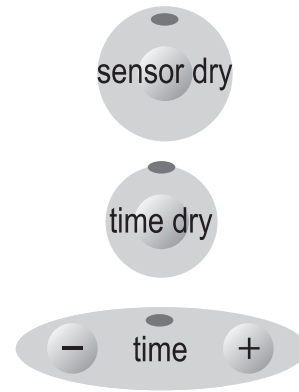
# CONTROLS AT A GLANCE

## Step 1

**Sensor Dry** – automatically senses the moisture in the load and shuts the dryer off when the selected dryness level (very dry to damp dry) is reached. This cycle is recommended for the majority of loads including delicates, wrinkle free and cotton/sturdy items like towels, bedding and jeans.

**Or**

**Time Dry** – may be selected for any load if Sensor Dry is not used. Press the “+” or “-” time pad to select the desired number of minutes.



## Step 2

**Dry Temp** – there are four temperature settings. Press the up “^” or down “v” pads to select regular, medium, delicate or extra low temperatures.

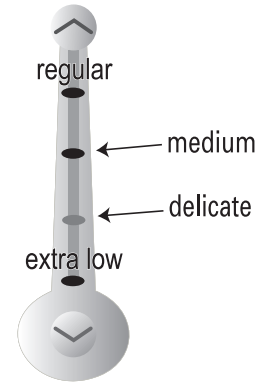
**Regular** – for sturdy cottons or those labeled “Tumble Dry.”

**Medium** – for permanent press, synthetics, lightweight cottons or items labeled “Tumble Dry Medium.”

**Delicate** – for heat sensitive items labeled “Tumble Dry Low” or “Tumble Dry Warm.”

**Extra Low** – provides the lowest heated dry temperature possible. “Extra Low Temperature” is lower than “Delicate.”

## Dry Temp



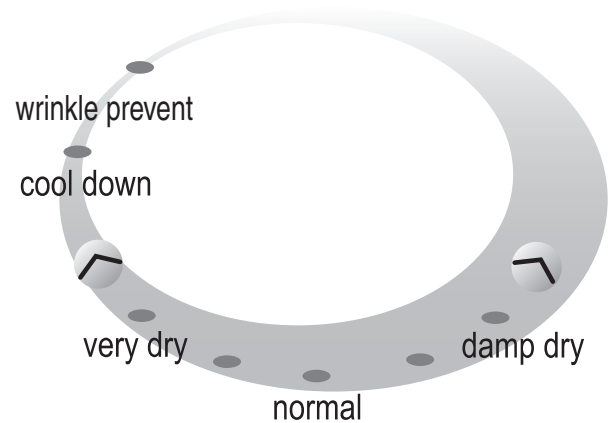
## Step 3

**Select Dryness Level** – press the “^” or “v” arrow pads to select the desired dryness level. The dryness level can be set on or between a setting.

**Very Dry** – used to completely dry sturdy or bulky items including towels and jeans.

**Normal** – used for drying the majority of loads.

**Damp Dry** – designed to partially dry items. Used for items that lay flat or hang to dry.



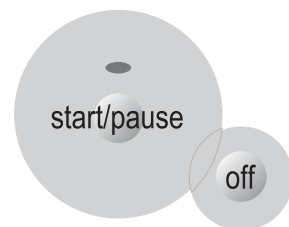
## Step 4

**Setting the Signal** – the end of cycle signal is adjustable. Press the “+” or “-” signal pad to increase or decrease the volume of the signal.



## Step 5

**Start/Pause** – close the door and press the **start/pause** pad to start the dryer. Pressing **off** cancels the cycle and stops the dryer.



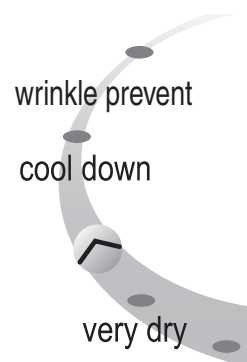
### ESTIMATED TIME DISPLAY

- After pressing **start/pause**, the display will show the estimated time remaining in the cycle.



### INDICATOR LIGHTS

- The indicator lights above the dryness levels will light when the pad is selected.
- The **cool down** indicator light will illuminate when the dryer moves into the cool-down portion of the cycle.
- If the **wrinkle prevent** option has been selected, the **wrinkle prevent** light will illuminate to indicate that the load is dry and the dryer has moved into the wrinkle prevent portion of the cycle (see below).



### WRINKLE PREVENT OPTION

**Wrinkle Prevent** – provides approximately 95 minutes of intermittent tumbling in unheated air at the end of the cycle to reduce wrinkling.

### SPECIAL CYCLES

**Wrinkle Release** – will release wrinkles from items that are clean and dry but slightly wrinkled, such as from a crowded closet or suitcase or from sitting in the dryer too long after the end of the cycle. It provides 10 minutes of heated tumbling and 8 minutes of cool down tumbling without heat.

**Air Fluff** – provides 20 minutes of tumbling in unheated air. Used for freshening items.

### Options

wrinkle prevent

wrinkle release

air fluff

### Special Cycles

## SPECIAL LAUNDRY TIPS

Please follow the care label or manufacturer's instructions for drying special items. If care label instructions are not available, use the following information as a guide.

### Bedspreads & Comforters

- Follow the care label instructions or dry on the Sensor Dry cycle and Regular temperature.
- Be sure the item is thoroughly dry before using or storing.
- May require repositioning to ensure even drying.

### Blankets

- Use Sensor Dry and dry only one blanket at a time for best tumbling action.
- Be sure the item is thoroughly dry before using or storing.

### Curtains & Draperies

- Use the Sensor Dry cycle and Extra Low temperature to help minimize wrinkling.
- Dry these in small loads for best results and remove as soon as possible.

### Cloth Diapers

- Use Sensor Dry and the Regular temperature setting for soft, fluffy diapers.

### Down-filled Items

(jackets, sleeping bags, comforters, etc.)

- Use Sensor Dry and the Extra Low temperature setting.
- Place a clean pair of sneakers in the dryer with the item to fluff the down comforters, etc. Adding a couple of dry towels shortens dry time and absorbs moisture.

### Foam Rubber

(rug backs, stuffed toys, shoulder pads, etc.)

- DO NOT dry on a heat setting. Use the Air Fluff special cycle (no heat).
- WARNING – Drying a rubber item with heat may damage it or be a fire hazard.

### Pillows

- Use Sensor Dry.
- Add a couple of dry towels and a pair of clean sneakers to help the tumbling action and to fluff the item.
- DO NOT dryer-dry kapok or foam pillows.

### Plastics

(shower curtains, outdoor furniture covers, etc.)

- Use the Air Fluff special cycle or Time Dry and the Extra Low temperature setting depending on the care label instructions.

## AVOID DRYER DRYING

- Fiberglass items (curtains, draperies, etc.)
- Woolens, unless recommended on the label.
- Vegetable or cooking oil soaked items. (See pg. 2)

## CARE AND CLEANING

**Control Panel** – clean with a soft, damp cloth. Do not use abrasive substances. Do not spray cleaners directly on the panel.

**Tumbler** – remove any stains such as crayon, ink pen or fabric dye (from new items such as towels or jeans) with an all-purpose cleaner. Then tumble old towels or rags to remove any excess stain or cleaning substance. Once these steps are done, stains may still be visible, but should not transfer to subsequent loads.

**Cabinet** – wipe off any marks with soap and water.

**Dryer Exhaust System** – should be inspected and cleaned once a year to maintain optimum performance. The outside exhaust hood should be cleaned more frequently to ensure proper operation. (Refer to the Installation Instructions for more information.)

## REPLACE DRUM LIGHT

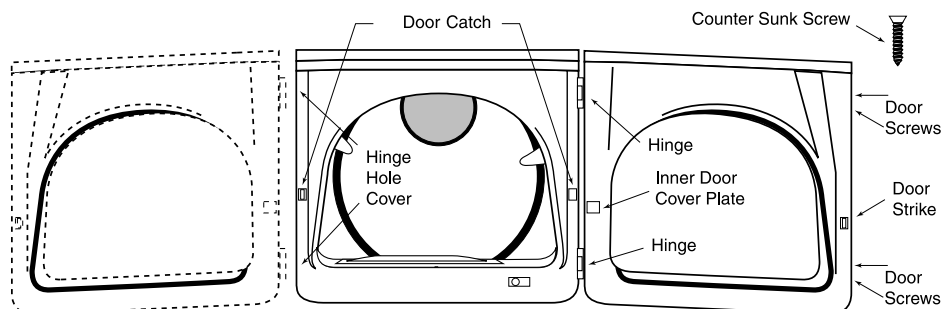
### Instructions for replacing the bulb:

- 1) Unplug or disconnect the dryer from the electrical power supply.
- 2) Open the door and use a Phillips screwdriver to remove the screw attaching the lens to the tumbler front.
- 3) Remove lens cover by pulling cover toward center of tumbler.
- 4) Rotate bulb counter-clockwise to remove from socket.
- 5) Replace the bulb with a 120 volt, 10 watt maximum candelabra base light bulb.
- 6) Turn the light bulb clockwise into socket.
- 7) Replace lens cover by hooking plastic tabs into tumbler front below the light housing.
- 8) Reinstall the screw into the lens cover screw hole.
- 9) Reconnect dryer to power supply.

## REVERSE THE DOOR

### Instructions for reversing the dryer door:

- 1) Remove the hinge hole covers and screws.
- 2) While supporting the door, remove 2 screws in the hinges that secure the hinges to the cabinet.
- 3) Remove door by lifting slightly at the hinges and pulling the hinge tabs out of the hinge slots.
- 4) Move the following parts to the opposite side of the door: 2 hinges and 4 hinge screws, 4 door screws, door strike and screw, inner door cover plate and screw.
- 5) Attach the door to the opposite side of the cabinet using the 2 counter sunk hinge screws. (See below). Screw the lower hinge screw in first. This will help to align the door and hinges.
- 6) Replace the hinge hole covers to the opposite side.



# BEFORE YOU CALL

## CHECK THESE POINTS IF YOUR MAYTAG NEPTUNE® DRYER...

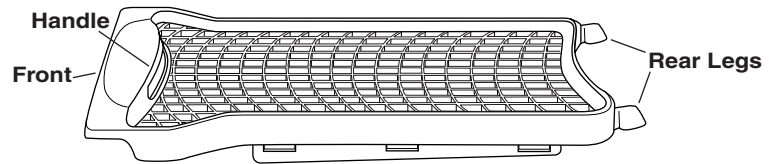
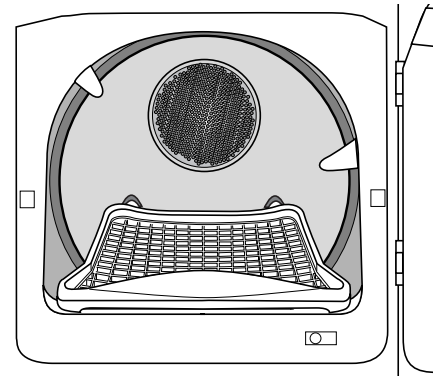
<p><b>Doesn't Run</b></p>	<ul style="list-style-type: none"> <li>• Be sure the door is latched shut.</li> <li>• Be sure the power cord is plugged into a live electrical outlet.</li> <li>• Check the home's circuit breaker and fuses.</li> <li>• Press the <b>start/pause</b> pad again if the door is opened during the cycle.</li> </ul>
<p><b>Doesn't Heat</b></p>	<ul style="list-style-type: none"> <li>• Check the home's circuit breaker and fuses.</li> <li>• Select a heat setting, not air fluff.</li> <li>• On a gas dryer, check that the gas supply is on.</li> <li>• Clean the lint filter and exhaust duct.</li> <li>• Dryer may have moved into the cool-down portion of the cycle.</li> </ul>
<p><b>Doesn't Dry</b></p>	<ul style="list-style-type: none"> <li>• Check all of the above, plus...</li> <li>• Be sure the exhaust hood at the outside of the home can open and close freely.</li> <li>• Check exhaust system for lint build-up. Ducting should be inspected and cleaned annually.</li> <li>• Use 4" rigid metal exhaust duct.</li> <li>• Do not overload. 1 Wash load = 1 Dryer load.</li> <li>• Sort heavy items from lightweight items.</li> <li>• Large, bulky items like blankets or comforters may require repositioning to ensure even drying.</li> <li>• Check that the washer is draining properly to extract adequate water from the load.</li> <li>• Clothes load too small to tumble properly. Add a few towels.</li> </ul>
<p><b>Is Noisy</b></p>	<ul style="list-style-type: none"> <li>• Check the load for objects such as coins, loose buttons, nails, etc. Remove promptly.</li> <li>• It is normal to hear the dryer gas valve or heating element cycle on and off during the drying cycle.</li> <li>• Be sure the dryer is leveled properly as outlined in the installation manual.</li> <li>• Be sure the rubber feet are installed on the leveling legs.</li> <li>• It is normal for the dryer to hum due to the high velocity of air moving through the dryer drum and exhaust system.</li> </ul>
<p><b>Dries Unevenly</b></p>	<ul style="list-style-type: none"> <li>• Seams, pockets and other similar heavy areas may not be completely dry when the rest of the load has reached the selected dryness level. This is normal. Select the "Very Dry" setting if desired.</li> <li>• If one heavy item is dried with a lightweight load, such as one towel with sheets, it is possible that the heavy item will not be completely dry when the rest of the load has reached the selected dryness level. Sort heavy items from lightweight items for best drying results.</li> </ul>
<p><b>Has an Odor</b></p>	<ul style="list-style-type: none"> <li>• Household odors such as from painting, varnishing, strong cleaners, etc. may enter the dryer with the surrounding room air. This is normal as the dryer draws the air from the room, heats it, pulls it through the tumbler and exhausts it to the outside. When these odors are present in the air, ventilate the room completely before using the dryer.</li> </ul>
<p><b>"PF" Appears in the Display</b></p>	<ul style="list-style-type: none"> <li>• The dryer has experienced a power failure. Press "OFF;" then restart the cycle.</li> </ul>

For further assistance, call Maytag Customer Assistance toll-free at 1-800-688-9900 USA or 1-800-688-2002 Canada. U.S. customers using TTY for deaf, hearing impaired or speech impaired, call 1-800-688-2080.

## DRYING RACK (SELECT MODELS)

### INSTALLING THE DRYING RACK

- 1) Open dryer door.
- 2) Position drying rack in tumbler placing the two rear legs in the two recessed areas in the back wall of the dryer.
- 3) Place the front lip of the drying rack on top of the lint filter.
- 4) Place items to be dried on the rack, leaving space between them so air can reach all the surfaces.
- 5) Close the dryer door.
- 6) Use the **Time Dry** cycle. Select time according to moisture and weight of item. Start the dryer. It may be necessary to reset the timer if a longer drying time is needed.



### STORING THE DRYING RACK

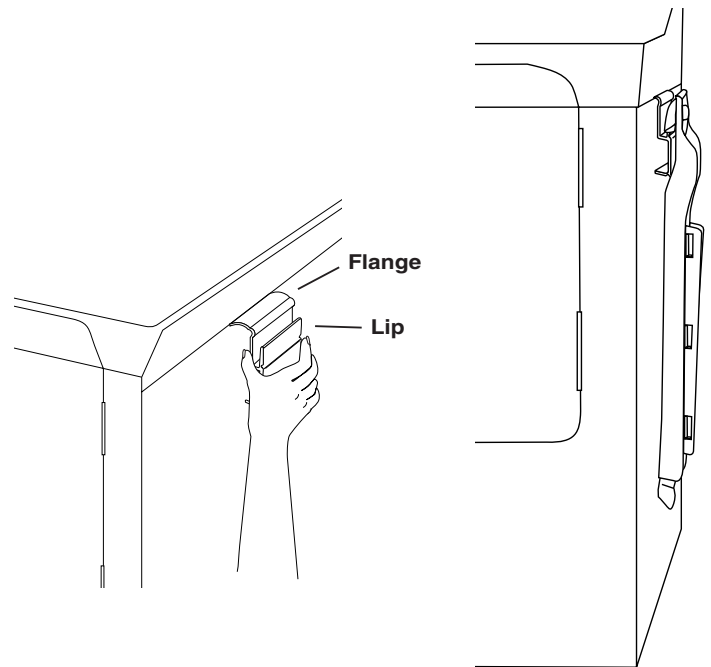
#### On Dryer Sides:

The drying rack hanger fits between the dryer top and the dryer cabinet.

- 1) Place the flange on the hanger in the seam between the top and the cabinet. Push all the way in.
- 2) Face the top of the drying rack toward the side of the dryer cabinet.
- 3) Place the drying rack handle over the lip of the hanger.

#### On Dryer Back:

- 1) Place the drying rack hanger between the dryer top and the dryer cabinet just below the back of the control panel.
- 2) Place the flange in the seam and push all the way in.
- 3) Face the top of the drying rack toward the back of the dryer cabinet.
- 4) Place the drying rack handle on the lip of the hanger.



**NOTE:** If not included with your dryer, contact your Maytag dealer for the accessory kit MAL1100AXX or call 1-877-232-6771 USA and 1-800-688-8408 Canada.

### ⚠️ WARNING

**WARNING** – Drying foam rubber, plastic or rubber on a heat setting may cause damage to the item and could lead to a fire hazard.

#### SUGGESTED ITEMS

#### SUGGESTED TEMP. SETTINGS

Washable sweaters (block to shape and lay flat on rack)	Heat
Stuffed toys (cotton or polyester fiber filled)	Heat
Stuffed toys (foam or rubber filled)	Air Fluff
Foam rubber pillows	Air Fluff
Sneakers	Air Fluff or Heat

# CLOTHES DRYER WARRANTY

## Neptune® Dryer Warranty

### Full One Year Warranty

For one (1) year from the date of original retail purchase, any part which fails in normal home use will be repaired or replaced free of charge.

### Limited Warranty

After the first year from date of original retail purchase, through the time periods listed below, the parts designated below which fail in normal home use will be repaired or replaced free of charge for the part itself, with the owner paying all other costs, including labor, mileage, transportation, trip charge and diagnostic charge, if required.

**Second Year** – All parts.

### Additional Limited Warranty Against Rust-Through

Should an exterior cabinet, including the top and door, rust through during the one year period starting from the date of retail purchase, repair or replacement will be made free of charge. After the first and through the fifth year, repair or replacement will be made free of charge for the part itself, with the owner paying all other costs, including labor, mileage, transportation, trip charge and diagnostic charge, if required.

**Please Note:** This full warranty and the limited warranties apply when the dryer is located in the United States or Canada. Dryers located elsewhere are covered by the limited warranties only, including parts which fail during the first two years.

### Canadian Residents

This warranty covers only those appliances installed in Canada that have been listed with Canadian Standards Association unless the appliances are brought into Canada due to transfer of residence from the United States to Canada.

The specific warranties expressed above are the **ONLY** warranties provided by the manufacturer. This warranty gives you specific legal rights, and you may also have other rights that vary from state to state.

## What is not covered by these warranties:

1. Conditions and damages resulting from any of the following:
  - a. Improper installation, delivery, or maintenance.
  - b. Any repair, modification, alteration or adjustment not authorized by the manufacturer or an authorized servicer.
  - c. Misuse, abuse, accidents, or unreasonable use.
  - d. Incorrect electric current, voltage or supply.
  - e. Improper setting of any control.
2. Warranties are void if the original serial numbers have been removed, altered, or cannot be readily determined.
3. Light bulbs
4. Products purchased for commercial or industrial use.
5. The cost of service or service call to:
  - a. Correct installation errors.
  - b. Instruct the user on proper use of the product.
  - c. Transport the appliance to the servicer.
6. Consequential or incidental damages sustained by any person as a result of any breach of these warranties.

Some states do not allow the exclusion or limitation of consequential or incidental damages, so the above exclusion may not apply.

## To Obtain Warranty Service

To locate an authorized service company in your area contact the dealer from whom your appliance was purchased; or call Maytag Services<sup>SM</sup>, Maytag Customer Assistance at the number listed below. Should you not receive satisfactory warranty service, please call or write:

Maytag Services<sup>SM</sup>  
Attn: CAIR® Center  
P.O. Box 2370  
Cleveland, TN 37320-2370

**1-800-688-9900 USA**  
**1-800-688-2002 Canada**

**U.S. customers using TTY for deaf, hearing impaired or speech impaired, call 1-800-688-2080.**

### Note:

When contacting Maytag Services<sup>SM</sup>, Maytag Customer Assistance about a service problem, please include the following:

- (a) Your name, address and telephone number.
- (b) Model number and serial number (found on the back center of the control panel) of your appliance.
- (c) Name and address of your dealer and the date the appliance was purchased.
- (d) A clear description of the problem you are having.
- (e) Proof of purchase.

Use and Care Guides, service manuals and parts catalogs are available from Maytag Services<sup>SM</sup>, Maytag Customer Assistance.

**Maytag • 403 West Fourth Street North • P. O. Box 39 • Newton, Iowa 50208**



# SÉCHEUSE MAYTAG NEPTUNE®

---

# GUIDE

---

## DE L'UTILISATEUR

### TABLE DES MATIÈRES

Instructions de sécurité importantes .....	13-14
Conseils pour le circuit d'évacuation .....	15
Conseils d'utilisation .....	16
Les commandes .....	17-18
Conseils spéciaux.....	19
Entretien et nettoyage .....	20
Remplacement de l'ampoule du tambour .....	20
Inversion du sens d'ouverture de la porte .....	20
Avant de contacter un réparateur.....	21
Grille de séchage .....	22
Garantie .....	23
Guía del Usuario .....	24

## BIENVENUE

Bienvenue et félicitations pour votre achat d'une sècheuse Maytag Neptune®! Il est très important pour nous que vous soyez totalement satisfait. Pour l'obtention des meilleurs résultats, nous vous suggérons de lire la totalité de cette brochure pour vous familiariser avec les méthodes adéquates d'utilisation et entretien de l'appareil.

Pour tout besoin d'assistance à l'avenir :

- 1) Il sera utile de disposer immédiatement du numéro de modèle et du numéro de série de l'appareil; on trouve cette information sur la plaque signalétique, au centre en bas de l'ouverture de la porte.

Date d'achat \_\_\_\_\_

Numéro de modèle \_\_\_\_\_

Numéro de série \_\_\_\_\_

- 2) **IMPORTANT : Conserver ce guide et la facture d'achat en lieu sûr pour utilisation ultérieure. Une preuve de la date d'achat devra être présentée pour toute demande de travaux sous garantie.**

Pour toute question, veuillez nous écrire (inclure numéro de modèle, numéro de série et numéro de téléphone) ou téléphoner à :

Service à la clientèle de Maytag  
1-800-688-2002 CANADA  
(Lundi à vendredi, 8 h - 20 h, heure de l'Est)  
<http://www.maytag.com>

**Pour l'information sur service et garantie, voir page 23.**

**REMARQUE : Dans le cadre de nos pratiques d'amélioration constantes de la qualité de nos appareils, des modifications peuvent être introduites sur les appareils sans que cela donne lieu à une révision de ce guide.**

## INSTRUCTIONS DE SÉCURITÉ IMPORTANTES

*lire ce qui suit avant d'utiliser la sècheuse*

### CE QU'IL FAUT SAVOIR À PROPOS DES CONSIGNES DE SÉCURITÉ

Les consignes de sécurité et les mises en garde présentées dans ce manuel ne couvrent pas toutes les situations possibles. Faire preuve de jugement, de prudence et d'attention lors de l'installation, de l'entretien et de l'utilisation du propriétaire.

Lorsque survient un problème ou une situation inhabituelle, toujours communiquer avec le détaillant, le distributeur, le technicien agréé ou le fabricant.

### RECONNAISSEZ LES ÉTIQUETTES, PHRASES OU SYMBOLES SUR LA SECURITE

#### **AVERTISSEMENT**

**AVERTISSEMENT** : Risques ou pratiques non sûres, qui **POURRAIENT** résulter en de graves blessures ou même la mort.

#### **ATTENTION**

**ATTENTION** : Risques ou pratiques non sûres qui **POURRAIENT** résulter en blessures mineures.

#### **AVERTISSEMENT**

**AVERTISSEMENT** : Pour leur sécurité, les utilisateurs doivent se conformer aux instructions de ce manuel pour minimiser les risques d'incendie ou explosion et pour éviter dommages matériels, dommages corporels ou accident mortel.

- Ne jamais remiser ou utiliser de l'essence ou un autre produit liquide ou gazeux inflammable au voisinage de cet appareil ou de tout autre appareil.

#### **QUE FAIRE SI L'ON SENT UNE ODEUR DE GAZ**

- Ne mettre aucun appareil en marche.
- Ne pas toucher à un interrupteur électrique.
- N'utiliser aucun téléphone de l'immeuble.
- Demander à tous les occupants de quitter la pièce, le bâtiment ou le secteur.
- Se rendre chez un voisin et téléphoner immédiatement à la compagnie de gaz. Suivre les directives données par le préposé de la compagnie de gaz.
- S'il est impossible de joindre la compagnie de gaz, téléphoner au service des incendies.

L'installation et les réparations doivent être confiées à un installateur compétent, à une entreprise de service ou à la compagnie de gaz.

## AVERTISSEMENT

Pour minimiser les risques d'incendie, choc électrique ou dommages corporels lors de l'utilisation de l'appareil, appliquer les précautions fondamentales, dont les suivantes.

1 Lire la totalité des instructions avant d'utiliser l'appareil.

2 Pour éviter incendie ou explosion :

- Ne pas soumettre au séchage un article qui a été précédemment nettoyé, lavé, trempé ou taché avec essence, solvant de nettoyage à sec ou autre substance inflammable ou explosive – ces produits peuvent émettre des vapeurs susceptibles de s'enflammer ou d'exploser. Ne jamais placer dans la sècheuse un article sur lequel on a utilisé un solvant de nettoyage ou qui a été saturé par un liquide ou solide inflammable avant d'avoir pu éliminer toute trace de ces produits liquides ou solides inflammables et des vapeurs qu'ils émettent. On trouve dans toute résidence de nombreux produits très inflammables comme acétone, alcool dénaturé, essence, kérosène, certains produits liquides d'entretien ménager, certains détachants, térébenthine, cire et produits de décapage de la cire.
- Ne jamais faire sécher avec chauffage des articles contenant du caoutchouc mousse (parfois appelé mousse de latex) ou autres articles à texture caoutchouteuse similaire. Dans certaines circonstances un article à base de caoutchouc mousse peut s'enflammer spontanément sous l'effet de la chaleur.

3 Ne jamais laisser des enfants jouer avec ou sur l'appareil. Il convient de superviser attentivement les enfants lorsque l'appareil est utilisé en leur présence.

4 Avant de retirer l'appareil du service ou de le mettre au rebut, démonter la porte du compartiment de séchage.

5 Ne pas introduire une main dans l'appareil lorsque le tambour est en mouvement.

6 Ne pas installer ou remiser cet appareil en un endroit où il serait exposé aux intempéries.

7 Ne pas circonvier les organes de commande.

8 Ne réparer ou remplacer aucun composant de cet appareil; on ne doit entreprendre aucune opération d'entretien qui n'est pas spécifiquement recommandée dans des instructions de réparation publiées à l'intention des utilisateurs, ou que l'intervenant ne serait pas en mesure d'exécuter parfaitement.

9 Ne pas utiliser un assouplissant de tissu ou produit similaire pour éliminer les charges statiques, sauf si le fabricant du produit en recommande l'emploi dans une sècheuse.

10 Nettoyer le tamis à charpie avant ou après chaque utilisation.

11 Veiller à ce que la zone voisine de l'ouverture de décharge demeure exempte d'accumulation de charpie, poussière et souillures.

12 Faire nettoyer périodiquement l'intérieur de la sècheuse et le conduit d'évacuation par un technicien qualifié.

13 Il faut que cet appareil soit convenablement relié à la terre. Ne jamais brancher l'appareil dans une prise de courant qui n'est pas adéquatement reliée à la terre conformément aux prescriptions des codes local et national des installations électriques. Voir les instructions d'installation concernant la liaison à la terre de cet appareil.

14 On ne doit jamais s'asseoir sur la sècheuse.

## AVERTISSEMENT

Ne jamais placer dans la sècheuse un article qui aurait été taché ou trempé avec de l'huile végétale ou de l'huile de cuisson. Même après lavage, ces articles peuvent contenir une quantité résiduelle significative de ces huiles. Le résidu d'huile peut s'enflammer spontanément. Le risque d'inflammation spontanée augmente lorsque l'article est exposé à la chaleur. Une source de chaleur, comme le séchage, peut provoquer une augmentation de la température de ces articles et déclencher une réaction d'oxydation de l'huile. Par lui-même le processus d'oxydation est générateur de chaleur; si cette chaleur ne peut s'échapper, l'article peut s'échauffer suffisamment pour pouvoir s'enflammer. Lorsqu'on remise ou empile ces articles, ceci peut empêcher l'évacuation de la chaleur et susciter un risque d'incendie.

Tout textile lavé ou non lavé qui contient de l'huile végétale ou de l'huile de cuisson peut être dangereux. Le lavage de ces articles à l'eau chaude avec une quantité additionnelle de détergent peut réduire le risque, mais sans l'éliminer. On doit toujours utiliser le cycle de refroidissement pour réduire la température de ces articles; ne jamais retirer ces articles de la sècheuse alors qu'ils sont chauds, ou interrompre le séchage avant que le refroidissement programmé n'ait été exécuté. Ne jamais empiler ces articles lorsqu'ils sont chauds.

## AVERTISSEMENT

Il peut se produire dans votre système une fuite de gaz créant une situation dangereuse. Il n'est pas toujours possible de détecter les fuites de gaz à l'odeur. Les fournisseurs de gaz recommandent l'achat et la pose d'un détecteur de gaz homologué UL. Poser et utiliser l'appareil conformément aux indications du fabricant.

**IMPORTANT:** En raison des améliorations apportées régulièrement à ses produits, Maytag se réserve le droit de modifier les spécifications sans préavis. Pour de plus amples renseignements, consulter les instructions d'installation incluses avec votre appareil avant de choisir des meubles de rangement, de faire du découpage ou de commencer l'installation.

## CONSERVER CES INSTRUCTIONS

# CONSEILS POUR LE CIRCUIT D'ÉVACUATION

## ⚠ AVERTISSEMENT

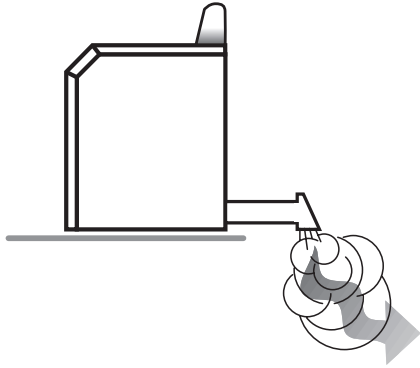
⚠ **AVERTISSEMENT** : Un conduit flexible, plastique ou non métallique suscite un risque d'incendie.

### À FAIRE

Lire les instructions d'installation et le guide de l'utilisateur.

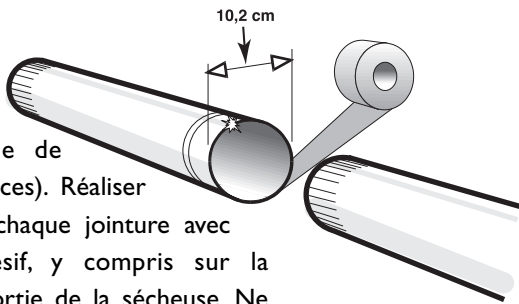
### À FAIRE

Permettre à la sècheuse d'évacuer facilement l'air humide.



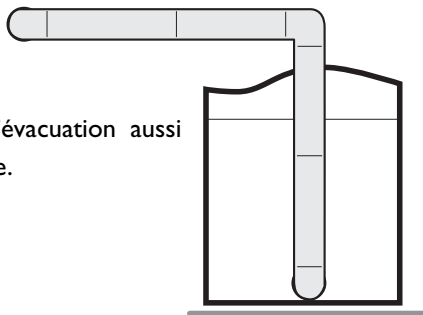
### À FAIRE

Utiliser du conduit métallique rigide de 10,2 cm (4 pouces). Réaliser l'étanchéité de chaque jointure avec du ruban adhésif, y compris sur la connexion de sortie de la sècheuse. Ne jamais utiliser des vis, qui retiendraient des charpies.



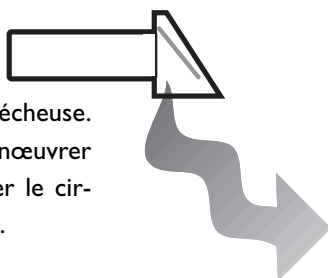
### À FAIRE

Utiliser un circuit d'évacuation aussi rectiligne que possible.



### À FAIRE

Nettoyer tout vieux conduit avant d'installer la nouvelle sècheuse. Vérifier que le clapet peut manœuvrer librement. Inspecter et nettoyer le circuit d'évacuation chaque année.

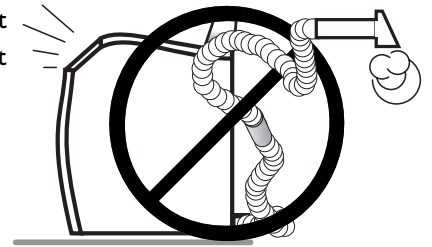


### À NE PAS FAIRE

Permettre à un circuit d'évacuation médiocre de ralentir le processus de séchage.

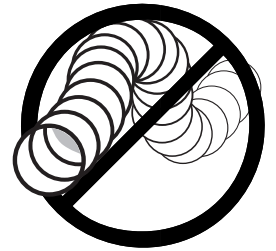
### À NE PAS FAIRE

Entraver le fonctionnement de la sècheuse avec un circuit d'évacuation médiocre.



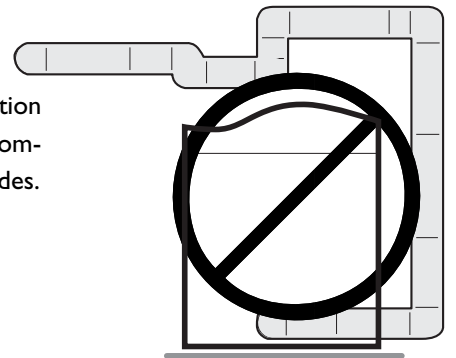
### À NE PAS FAIRE

Utiliser un conduit d'évacuation de plastique ou de métal mince, ou un conduit flexible non métallique.



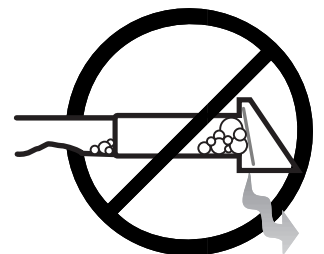
### À NE PAS FAIRE

Utiliser un circuit d'évacuation plus long que nécessaire, comportant de nombreux coudes.



### À NE PAS FAIRE

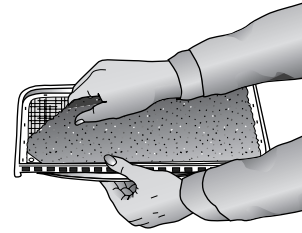
Tolérer un circuit d'évacuation comportant un composant ou conduit écrasé ou obstrué.



## CONSEILS D'UTILISATION

### NETTOYER LE FILTRE À CHARPIE

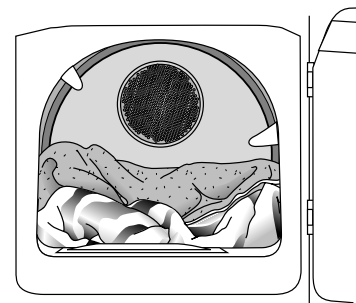
- Après chaque utilisation.
- Pour minimiser le temps de séchage.
- Pour utiliser l'énergie plus efficacement.



**REMARQUE :** Ne pas faire fonctionner la sècheuse lorsque le filtre à charpie n'est pas en place.

### CHARGER CONVENABLEMENT LA SÈCHEUSE

- Placer seulement le linge d'une charge de lavage en une seule fois dans la sècheuse.
- Éviter une petite charge, ou de mélanger des articles lourds et légers.
- Lorsqu'on doit faire sécher seulement un ou deux articles, ajouter quelques autres articles similaires pour optimiser le culbutage et l'efficacité du séchage.
- Lors du séchage d'un article volumineux ou de grande taille, comme couverture ou couvre-lit, il peut être nécessaire de repositionner la charge au cours de l'exécution du cycle pour obtenir un séchage uniforme.



### AJOUTER UNE FEUILLE D'ASSOUPLEUR DE TISSU (LE CASÉCHÉANT)

- Après le chargement de la sècheuse.
- Pour minimiser l'adhérence suscitée par les charges statiques.
- Avant que le linge de la charge soit devenu chaud. Ceci permettra d'éviter la formation par l'assouplisseur de taches d'aspect gras.
- Retirer de la sècheuse les vieilles feuilles d'assouplisseur utilisées, pour éviter la formation de taches d'assouplisseur d'aspect gras.

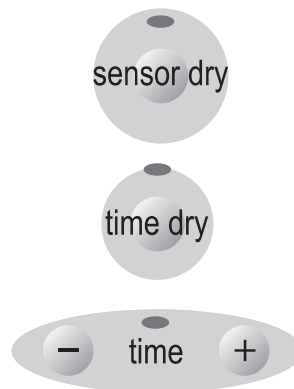
# LES COMMANDES

## Étape 1

**Sensor Dry (séchage-capteur)** – détecte automatiquement l'humidité du linge et arrête la sècheuse lorsque le niveau de séchage (très sec à humide) est obtenu. Ce cycle est recommandé pour la plupart des charges, y compris le linge délicat, infroissable ou en coton et les textiles robustes comme serviettes, literie et jeans.

**Ou**

**Time Dry (séchage minuté)** – peut être sélectionné pour toute charge si Sensor Dry (séchage-capteur) n'est pas utilisé. Appuyer sur la touche «+» ou «-» pour sélectionner le nombre de minutes voulu.



## Étape 2

**Dry Temp (température de séchage)** – il existe quatre réglages de la température. Appuyez sur les flèches « ^ » ou « v » ou sélectionner des températures normale, moyenne, délicate ou très basse.

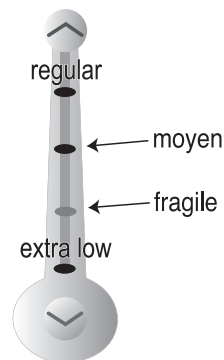
**Regular (tissus ordinaires)** — Pour les cotons épais ou ceux dont l'étiquette indique «Sécher en sècheuse».

**Medium (moyen)** — Pour les tissus à pli permanent, les synthétiques, les cotons légers ou les articles dont l'étiquette indique «Sécher en sècheuse à température moyenne».

**Delicate (fragile)** — Pour les articles qui ne supportent pas la chaleur dont l'étiquette indique «Sécher en sècheuse à température douce» ou «Sécher en sècheuse à température tiède».

**Extra low (basse supplémentaire)** — Fournit la température sèche la plus basse de chauffage possible. "La basse température supplémentaire" est inférieure que délicate."

### Dry Temp



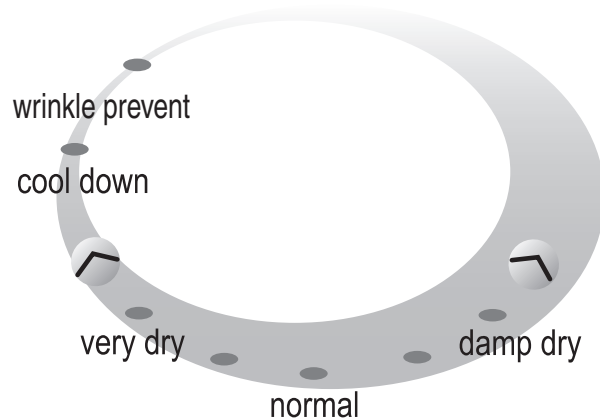
## Étape 3

**Sélectionner le niveau de séchage** – appuyer sur les flèches « / » ou « \ » pour sélectionner le niveau de séchage voulu. Le niveau de séchage peut être établi sur un réglage précis ou entre deux réglages.

**Very dry (très sec)** – utilisé pour sécher complètement des articles épais ou volumineux, comme serviettes et jeans.

**Normal (normal)** – utilisé pour le séchage de la majorité du linge.

**Damp Dry (séchage humide)** – conçu pour sécher partiellement. Utilisé pour les articles à étendre à plat ou à suspendre.



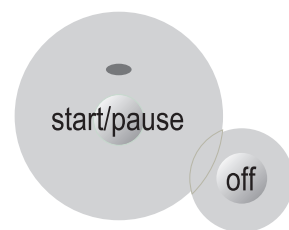
## Étape 4

**Réglage du signal sonore** – le signal de fin de cycle est réglable. Appuyer sur «+» ou «-» pour augmenter ou diminuer le volume du signal sonore.



## Étape 5

**Start/Pause (mise en marche/pause)** – fermer la porte et appuyer sur **start/pause (mise en marche/pause)** pour mettre la sècheuse en marche. En appuyant sur **off (arrêt)**, le cycle est annulé et la sècheuse s'arrête.



### AFFICHAGE DE LA DURÉE ESTIMÉE

- Après avoir appuyé sur **start/pause (mise en marche/pause)**, l'afficheur indique la durée estimée restante dans le cycle.

estimated time



### TÉMOINS LUMINEUX

- Les témoins lumineux au-dessus des niveaux de séchage s'allument selon la touche qui est sélectionnée.
- Le témoin lumineux **cool down (refroidissement)** s'allume lorsque la sècheuse passe à la partie refroidissement du cycle.
- Si l'option **wrinkle prevent (pressage permanent)** a été sélectionnée, le témoin **wrinkle prevent (pressage permanent)** s'allume pour indiquer que le linge est sec et que la sècheuse passe à la partie pressage permanent du cycle (voir ci-dessous).



### OPTION WRINKLE PREVENT (PRESSAGE PERMANENT)

**Wrinkle Prevent (pressage permanent)** – environ 95 minutes de culbutage intermittent sans chaleur à la fin du cycle pour réduire le froissement.

### SPECIAL CYCLES (CYCLES SPÉCIAUX)

**Wrinkle Release (défroissage)** – enlève les faux plis des articles qui sont propres et secs mais légèrement froissés, comme s'ils avaient été tassés dans une armoire ou une valise ou s'ils étaient restés trop longtemps dans la sècheuse à la fin du cycle. Il procure 10 minutes de culbutage avec chaleur et 8 minutes de culbutage de refroidissement sans chaleur.

**Air Fluff (duvetage)** – 20 minutes de culbutage sans chaleur. Utilisé pour rafraîchir le linge.

### Options

wrinkle prevent

wrinkle release

air fluff

### Special Cycles

## CONSEILS SPÉCIAUX

Pour le séchage d'articles spéciaux, procéder conformément aux instructions du fabricant ou de l'étiquette d'entretien. Si l'étiquette d'entretien n'est pas disponible, utiliser l'information qui suit.

### Couvre-lits et couettes

- Procéder selon les instructions de l'étiquette d'entretien, ou utiliser le cycle Sensor Dry (séchage-capteur).
- Vérifier que les articles sont parfaitement secs avant de les utiliser ou de les ranger.
- Un repositionnement peut être nécessaire pour un séchage uniforme.

### Couvertures

- Pour obtenir la meilleure action de culbutage, utiliser le Sensor Dry (séchage-capteur) et sécher une seule couverture à la fois.
- Vérifier que les articles sont parfaitement secs avant de les utiliser ou de les ranger.

### Rideaux et tentures

- Utiliser le cycle Sensor Dry (séchage-capteur) et la Extra Low (basse supplémentaire) température pour minimiser le froissement.
- Sécher ces articles dans une petite charge pour obtenir le meilleur résultat, et retirer les articles de la sècheuse dès que possible.

### Couches de textile

- Utiliser le Sensor Dry (séchage-capteur) et la température de séchage Regular (standard) pour obtenir des couches douces et moelleuses.

### Articles garnis de duvet (anoraks, sacs de couchage, couvre-lits, etc.)

- Utiliser le cycle Sensor Dry (séchage-capteur) et la Extra Low (basse supplémentaire) température.
- Placer dans la sècheuse avec l'article une paire d'espadrilles propres pour optimiser le duvetage des articles garnis de duvet, etc. Ajouter quelques serviettes sèches pour réduire le temps de séchage et absorber l'humidité.

### Caoutchouc mousse (endos de tapis, jouets en peluche, épaulettes, etc.)

- Effectuer le séchage SANS CHALEUR. Utiliser le cycle Air Fluff (duvetage à l'air) (sans chaleur).
- AVERTISSEMENT – L'exposition des articles de caoutchouc à la chaleur leur fait subir des dommages et suscite un risque d'incendie.

### Oreillers

- Utiliser le Sensor Dry (séchage-capteur).
- Ajouter quelques serviettes sèches et une paire d'espadrilles propres pour optimiser l'action de culbutage et faciliter le duvetage de l'article.
- NE PAS placer dans la sècheuse des oreillers de mousse ou de kapok.

### Matière plastique (rideaux de douche, housses et nappes de mobilier d'extérieur, etc.)

- Utiliser le cycle de Time Dry (séchage minuté) ou le cycle Air Fluff (duvetage à l'air) et la Extra Low (basse supplémentaire) température de séchage, selon les indications de l'étiquette d'entretien.

## ÉVITER DE PLACER DANS LA SÈCHEUSE

- Articles à base de fibre de verre (rideaux, tentures, etc.)
- Lainages (sauf si les indications de l'étiquette le permettent).
- Articles trempés d'huile végétale ou de cuisson. (Voir page 14.)

## ENTRETIEN ET NETTOYAGE

**Tableau de commande** – Nettoyer avec un linge doux et humide. Ne pas utiliser un produit abrasif. Ne pas pulvériser le produit de nettoyage directement sur le tableau de commande.

**Tambour de culbutage** – Éliminer les taches – crayon de couleur, stylo, ou teinture pour textile (provenant d'articles neufs comme des serviettes ou jeans) avec un produit de nettoyage polyvalent. Soumettre ensuite au culbutage une charge de vieilles serviettes ou chiffons, pour éliminer tout résidu de produit tachant ou produit de nettoyage. Des taches peuvent demeurer

visibles après l'exécution de ces étapes, mais il n'y aura pas de transfert sur le linge des charges ultérieures.

**Caisse** – Éliminer les marques avec eau et savon.

**Système d'évacuation de l'air** – Inspecter et nettoyer le circuit au moins une fois par an pour optimiser la performance. Nettoyer plus fréquemment la bouche de décharge à l'extérieur pour qu'elle demeure en parfait état de fonctionnement. (Pour d'autre information, voir les Instructions d'installation.)

## REPLACEMENT DE L'AMPOULE DU TAMBOUR

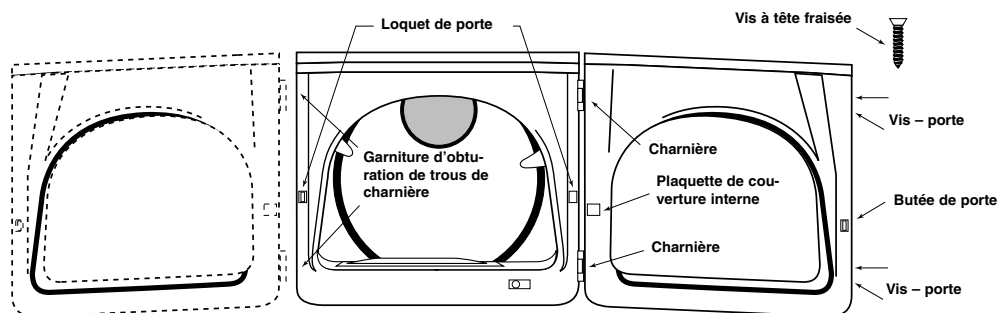
### Remplacement de l'ampoule :

- 1) Débrancher ou déconnecter la sécheuse du circuit d'alimentation électrique.
- 2) Ouvrir la porte; utiliser un tournevis Phillips pour enlever la vis fixant le cabochon à l'avant du tambour.
- 3) Enlever le cabochon – tirer vers le centre du tambour.
- 4) Faire pivoter l'ampoule dans le sens antihoraire pour la dégager de la douille.
- 5) Installer une ampoule de 120 volts (10 watts maximum - base de type candélabre).
- 6) Visser l'ampoule sur la douille – sens horaire.
- 7) Réinstaller le cabochon – engager les pattes d'accrochage en plastique, à l'avant du tambour de culbutage, au-dessous du corps d'ampoule.
- 8) Réinstaller la vis de fixation du cabochon.
- 9) Rebrancher la sécheuse.

## INVERSION DU SENS D'OUVERTURE DE LA PORTE

### Inversion du sens d'ouverture de la porte :

- 1) Enlever les garnitures des charnières, et les vis.
- 2) Tout en soutenant la porte, ôter les deux vis fixant les charnières sur la caisse.
- 3) Enlever la porte – soulever légèrement au niveau des charnières et tirer sur les pattes des charnières pour les dégager de leur logement.
- 4) Transférer les pièces suivantes du côté opposé de la porte : 2 charnières, 4 vis de fixation des charnières, 4 vis de fixation de la porte, butée de porte et vis, plaquette de couverture interne et vis.
- 5) Fixer la porte sur le côté opposé de la caisse avec 2 vis à tête fraisée (voir ci-dessous). Placer d'abord les vis de la charnière inférieure ; ceci permettra d'aligner la porte et les charnières.
- 6) Installer les garnitures d'obturation des trous de charnière du côté opposé.



# AVANT DE CONTACTER UN RÉPARATEUR

Consulter les suggestions ci-dessous si on observe les anomalies suivantes de la sècheuse Maytag Neptune®...

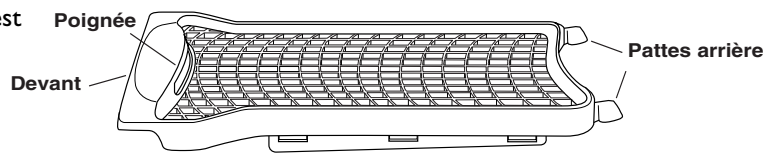
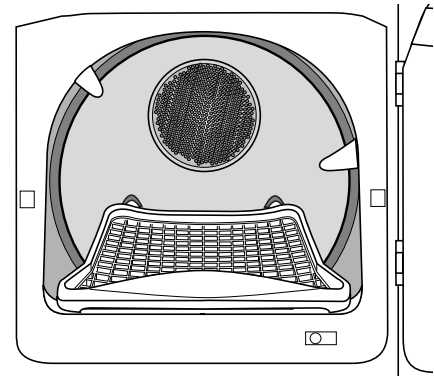
<b>La sècheuse ne fonctionne pas</b>	<ul style="list-style-type: none"><li>• Vérifier que la porte est bien verrouillée.</li><li>• Vérifier que le cordon d'alimentation est bien branché dans une prise de courant alimentée.</li><li>• Examiner les disjoncteurs et fusibles du circuit d'alimentation.</li><li>• Appuyer de nouveau sur la touche <b>start/pause</b> après une ouverture de la porte durant l'exécution du cycle.</li></ul>
<b>Absence de chauffage</b>	<ul style="list-style-type: none"><li>• Examiner les disjoncteurs et fusibles du circuit d'alimentation.</li><li>• Sélectionner un cycle de séchage avec chaleur – pas duvetage à l'air.</li><li>• Dans le cas d'une sècheuse à gaz, vérifier que le robinet de gaz est ouvert.</li><li>• Nettoyer le filtre à charpie et le conduit d'évacuation.</li><li>• La sècheuse exécute peut-être la phase de refroidissement du cycle.</li></ul>
<b>Aucun séchage</b>	<ul style="list-style-type: none"><li>• Contrôler tout ce qui a été mentionné ci-dessus ; en plus,</li><li>• Vérifier que le clapet de la bouche de décharge à l'extérieur de la résidence peut manœuvrer librement.</li><li>• Rechercher une accumulation de charpie dans le circuit d'évacuation. Inspecter et nettoyer le circuit au moins chaque année.</li><li>• Utiliser du conduit d'évacuation métallique rigide de 4 pouces.</li><li>• Ne pas charger excessivement la sècheuse – une charge de lavage = une charge de séchage.</li><li>• Trier le linge – séparer les articles lourds des articles légers.</li><li>• Pour un séchage uniforme, il peut être nécessaire de repositionner les articles de grande taille ou volumineux, comme couvertures ou couvre-lits.</li><li>• Vérifier le bon fonctionnement de la fonction d'essorage de la machine à laveuse, pour obtenir une extraction adéquate de l'eau.</li><li>• Charge de linge trop petite pour un culbutage adéquat. Ajouter quelques serviettes.</li></ul>
<b>Fonctionnement bruyant</b>	<ul style="list-style-type: none"><li>• Rechercher dans la charge de linge des objets comme pièces de monnaie, boutons détachés, clous, etc. Enlever immédiatement ces articles.</li><li>• Il est normal qu'on perçoive le son des manœuvres de fonctionnement de l'électrovanne d'arrivée de gaz ou du contacteur de l'élément chauffant durant l'exécution du cycle.</li><li>• Vérifier que la sècheuse est parfaitement d'aplomb, comme ceci est indiqué dans le manuel d'installation.</li><li>• Vérifier que les pieds de caoutchouc sont installés sur les pieds de réglage de l'aplomb.</li><li>• Il est normal que la sècheuse émette un son de bourdonnement – ceci est dû à la circulation rapide de l'air à travers le tambour de la sècheuse et le circuit d'évacuation.</li></ul>
<b>Séchage non uniforme</b>	<ul style="list-style-type: none"><li>• Les jointures, les poches et d'autres parties similaires du linge peuvent ne pas être parfaitement sèches alors que le reste du linge a déjà atteint le niveau d'assèchement sélectionné. Ceci est normal. Le cas échéant, sélectionner l'option Very Dry (très sec).</li><li>• Lorsqu'on sèche un article lourd en même temps qu'une charge d'articles légers, comme une serviette en présence de draps, il est possible que l'article lourd ne soit pas complètement sec lorsque le reste de la charge a atteint le niveau d'assèchement choisi. Pour obtenir les meilleurs résultats, séparer les articles lourds des articles légers.</li></ul>
<b>Odeur perceptible</b>	<ul style="list-style-type: none"><li>• Des odeurs imputables à peinture, vernis, produits de nettoyage énergiques, etc. peuvent s'introduire dans la sècheuse avec l'air de l'environnement. Ceci est normal – la sècheuse aspire l'air de la pièce, le chauffe, le fait circuler à travers le tambour, et le rejette à l'extérieur. Si des matières véhi-culant ces odeurs sont présentes dans l'air, aérer adéquatement la pièce avant d'utiliser la sècheuse.</li></ul>
<b>Le "PF" apparaît dans l'affichage.</b>	<ul style="list-style-type: none"><li>• Le dessiccateur a éprouvé une panne de courant. Pressez OFF (ARRÊT), relancent alors le cycle.</li></ul>

Pour une demande d'assistance, contacter service-client Maytag sans frais au 1-800-688-2002 Canada.

# GRILLE DE SÉCHAGE (MODÈLES SÉLECTIONNÉS)

## INSTALLATION DE LA GRILLE DE SÉCHAGE

- 1) Ouvrir la porte de la sècheuse.
- 2) Placer la grille de séchage dans le tambour en plaçant les deux pattes arrière dans les zones en retrait situées dans la paroi arrière de la sècheuse.
- 3) Placer le rebord avant de la grille de séchage sur le dessus du filtre à charpie.
- 4) Placer les articles à sécher sur la grille, en laissant de l'espace entre eux pour que l'air puisse atteindre toutes les surfaces.
- 5) Fermer la porte de la sècheuse.
- 6) Choisir le cycle **Time Dry (séchage minuté)**. Choisir la durée selon l'humidité et le poids de l'article. Mettre la sècheuse en marche. Il pourra être nécessaire de remettre la minuterie à zéro si une plus grande durée de séchage est nécessaire.



## RANGEMENT DE LA GRILLE DE SÉCHAGE

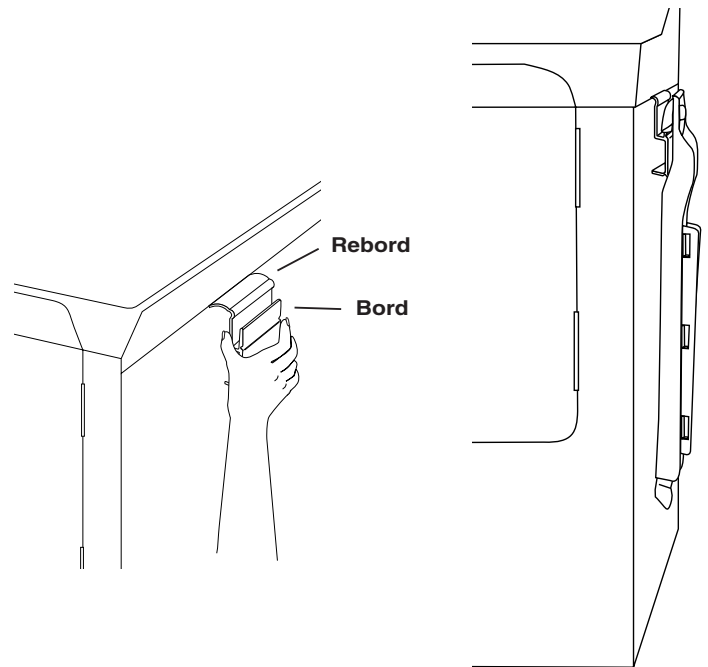
### Sur les côtés de la sècheuse :

La grille de séchage se range entre le dessus et la caisse de la sècheuse.

- 1) Placer le rebord du support dans la jointure située entre le dessus et la caisse. L'enfoncer jusqu'au bout.
- 2) Placer le dessus de la grille de séchage vers le côté de la caisse.
- 3) Placer la poignée de la grille de séchage par-dessus le bord du support.

### À l'arrière de la sècheuse :

- 1) Placer le support de la grille de séchage entre le dessus et la caisse de la sècheuse, juste en dessous de l'arrière du tableau de commande.
- 2) Placer le rebord en plastique dans la jointure et l'enfoncer jusqu'au bout.
- 3) Orienter le dessus de la grille de séchage vers le côté de la caisse.
- 4) Placer la poignée de la grille de séchage sur le bord du support.



**REMARQUE :** Si l'accessoire MALI100AXX n'est pas inclus avec la sècheuse, prendre contact avec le revendeur Maytag ou composer 1-800-688-8408 Canada.

### ⚠ AVERTISSEMENT

Le séchage de caoutchouc mousse, de plastique ou de caoutchouc en utilisant un réglage avec chaleur peut endommager l'article et entraîner un risque d'incendie.

### ARTICLES SUGGÉRÉS

### RÉGLAGES DE TEMPERATURE SUGGÉRÉS

Chandails lavables (remettre en forme et étendre à plat sur la grille)	Heat (Chaleur)
Jouets en peluche (remplis de fibres de polyester ou coton)	Heat (Chaleur)
Jouets en peluche (remplis de mousse ou de caoutchouc)	Air Fluff (Duvetage)
Oreillers en caoutchouc mousse	Air Fluff (Duvetage)
Chaussures de sport	Air Fluff or Heat (Duvetage ou Chaleur)

# GARANTIE DE LA SÉCHEUSE

## Garantie de la Sécheuse Maytag Neptune®

### Garantie complète d'une année

Durant une période d'un (1) an à compter de la date de l'achat initial, toute pièce qui se révélerait défectueuse dans des conditions normales d'usage ménager, sera réparée ou remplacée gratuitement.

### Garantie limitée

Après la première année suivant la date de l'achat initial, et durant les années indiquées ci-dessous, les pièces mentionnées ci-dessous et qui se révéleraient défectueuses dans des conditions normales d'usage ménager, seront réparées ou remplacées gratuitement (pièces seulement); le propriétaire devra assumer tous les autres frais, y compris les frais de main-d'oeuvre, de kilométrage, de déplacement, de transport, et de diagnostic, le cas échéant.

**Deuxième année** – Toutes les pièces.

### Garantie limitée supplémentaire contre la perforation par la rouille

Si la caisse extérieure, y compris le cadre supérieur et la porte, venait à se perforer par la rouille au cours de la première année suivant la date de l'achat initial, elle sera réparée ou remplacée gratuitement. Après la première année et jusqu'à la cinquième année, la pièce sera réparée ou remplacée gratuitement; le propriétaire devra assumer tous les autres frais, y compris les frais de main-d'oeuvre, de kilométrage, de déplacement, de transport, et de diagnostic, le cas échéant.

**Veillez noter:** Cette garantie complète et les garanties limitées ne s'appliquent qu'à une sécheuse située aux États-Unis ou au Canada. Les sécheuses situées ailleurs ne sont couvertes que par les garanties limitées, y compris dans le cas de pièces qui se révéleraient défectueuses les deux premières années.

### Résidents canadiens

La garantie ci-dessus couvre les appareils installés au Canada seulement s'ils ont été agréés par l'Association canadienne de normalisation (CSA), sauf si les appareils ont été introduits au Canada à l'occasion d'un changement de résidence des États-Unis vers le Canada.

Les garanties spécifiques formulées ci-dessus sont les SEULES que le fabricant accorde. Cette garantie vous confère des droits juridiques spécifiques et vous pouvez également jouir d'autres droits, variables d'une province à une autre.

## Ne sont pas couverts par cette garantie :

1. Les dommages ou dérangements dus à :
  - a. Mise en service, livraison ou entretien effectués incorrectement.
  - b. Toute réparation, modification, altération et tout réglage non autorisés par le fabricant ou par un prestataire de service après-vente agréé.
  - c. Accidents, mauvaise utilisation ou usage abusif ou déraisonnable.
  - d. Alimentation électrique (tension, intensité) incorrecte.
  - e. Réglage incorrect d'une commande.
2. Les garanties ne peuvent être honorées si les numéros de série d'origine ont été enlevés, modifiés ou ne sont pas facilement lisibles.
3. Ampoules.
4. Appareils achetés aux fins d'usage commercial ou industriel.
5. Les frais de visite d'un prestataire de service ou de service après-vente encourus pour les raisons suivantes:
  - a. Correction d'erreurs de mise en service.
  - b. Initiation de l'utilisateur à l'emploi de l'appareil.
  - c. Transport de l'appareil aux locaux du prestataire de service.
6. Dommages secondaires ou indirects subis par toute personne suite au non-respect de la garantie.

Certains états ou provinces ne permettent pas l'exclusion ou la limitation des dommages secondaires ou indirects; par conséquent, les limitations ou exclusions ci-dessus peuvent ne pas s'appliquer à votre cas.

## Service en vertu de la garantie

Pour localiser une agence agréée de service après-vente dans votre région, prenez contact avec le détaillant où vous avez acheté l'appareil; ou, appelez le service à la clientèle de Maytag, Maytag Services<sup>SM</sup>, Maytag Customer Service. Si vous n'obteniez pas un service en vertu de la garantie, satisfaisant, veuillez écrire ou téléphoner à :

Maytag Services<sup>SM</sup>  
Attn : CAIR® Center  
P.O. Box 2370  
Cleveland, TN 37320-2370  
**Canada (sans frais) 1-800-688-2002**

### Remarques :

Lors de tout contact auprès du service à la clientèle de Maytag, Maytag Services<sup>SM</sup> et concernant un problème, veuillez fournir l'information suivante:

- (a) Vos nom, adresse et numéro de téléphone
- (b) Numéro de modèle et numéro de série (situés au centre inférieur de l'ouverture de la porte) de l'appareil.
- (c) Nom et adresse du détaillant et date d'achat de l'appareil.
- (d) Description claire du problème observé.
- (e) Preuve d'achat (facture de vente).

Les guides de l'utilisateur, les manuels de service et les catalogues de pièces sont disponibles auprès de Maytag Services<sup>SM</sup>, service à la clientèle de Maytag.

# SECADORA MAYTAG NEPTUNE®

# GUÍA

## DEL USUARIO

### TABLA DE MATERIAS

Instrucciones de Seguridad .....	25-26
Sugerencias para el Escape de la Secadora.....	27
Sugerencias para el Funcionamiento .....	28
Vista General de los Controles .....	29-30
Sugerencias Especiales para el Lavado .....	31
Cuidado y Limpieza.....	32
Reemplazo de la luz del Tambor .....	32
Inversión de la Puerta.....	32
Antes de Solicitar Servicio .....	33
Rejilla de Secado .....	34
Garantía .....	Última Página

## BIENVENIDA

¡Nuestra bienvenida y felicitaciones por la compra de una lavadora Maytag Neptune®! Su completa satisfacción es muy importante para nosotros. Para obtener los mejores resultados le sugerimos que lea esta guía para familiarizarse con los procedimientos apropiados de funcionamiento y mantenimiento.

Si usted necesita ayuda en el futuro, es útil tener:

- 1) El número completo de modelo y de serie para identificación de su lavadora. Se encuentran en una placa de datos situada en la sección central inferior de la abertura de la puerta.

Fecha de Compra \_\_\_\_\_

Número de Modelo \_\_\_\_\_

Número de Serie \_\_\_\_\_

- 2) **IMPORTANTE:** Conserve esta guía y el recibo de compra en un lugar seguro para referencia futura. Para obtener servicio bajo la garantía es necesario comprobar la fecha de compra original.

Si tiene alguna consulta, escríbanos (incluya el número de modelo y de serie y su número de teléfono) o llame a:

Maytag Customer Assistance  
1-800-688-9900 EE.UU.  
1-800-688-2002 CANADÁ  
(Lunes a Viernes, 8:00 a.m. - 8:00 p.m.  
Hora del Este)  
<http://www.maytag.com>

**Para información sobre servicio y garantía, ver la última página.**

**NOTA:** En nuestro continuo afán de mejorar la calidad de nuestros electrodomésticos, puede que sea necesario hacer modificaciones a la secadora sin actualizar esta guía.

## INSTRUCCIONES IMPORTANTES DE SEGURIDAD

lea antes de poner en funcionamiento su secadora

### AHORA DEBE CONOCER LAS INSTRUCCIONES DE SEGURIDAD

Las advertencias y las instrucciones importantes de seguridad que aparecen en este manual no tienen el propósito de cubrir todas las condiciones posibles que podrían ocurrir. Debe usarse sentido común, precaución y cuidado cuando se instale, se presente mantenimiento o se opere el electrodoméstico.

Siempre comuníquese con el distribuidor, concesionario, agente de servicio o fabricante para los asuntos relacionados con problemas o condiciones que no entienda.

### RECONOZCA LOS SÍMBOLOS DE SEGURIDAD, ADVERTENCIAS, ETIQUETAS

#### **ADVERTENCIA**

**ADVERTENCIA:** Peligros o prácticas no seguras que **PODRIAN** causar lesión personal grave o mortal.

#### **PRECAUCIÓN**

**PRECAUCIÓN:** Peligros o prácticas no seguras que **PODRIAN** causar lesión personal menos grave.

#### **ADVERTENCIA**

**ADVERTENCIA:** Para su seguridad, se debe seguir estrictamente la información proporcionada en esta guía a fin de reducir a un mínimo el riesgo de incendio o explosión o para evitar lesión personal o mortal y daños materiales.

- No almacene ni use gasolina u otros vapores y líquidos inflamables en la proximidad de este o de cualquier otro electrodoméstico.

#### **QUE HACER SI PERCIBE OLOR A GAS**

- No trate de encender ningún electrodoméstico.
- No toque ningún interruptor eléctrico.
- No use ningún teléfono en su edificio.
- Haga salir de la habitación o del edificio o del área a todos los ocupantes.
- Llame inmediatamente a su proveedor de gas de un teléfono vecino. Siga las instrucciones del proveedor de gas.
- Si no puede localizar a su proveedor de gas, llame al departamento de bomberos.

La instalación y el servicio deben ser efectuados por un instalador calificado, una agencia de servicio o el proveedor de gas.

## ADVERTENCIA

**ADVERTENCIA:** Para reducir el riesgo de incendio, choque eléctrico o lesiones personales cuando use el electrodoméstico, siga las precauciones básicas, incluyendo las que se indican a continuación:

- 1 Lea todas las instrucciones antes de usar el electrodoméstico.
- 2 Para evitar la posibilidad de incendio o explosión:
  - No seque artículos que han sido previamente limpiados, lavados, sumergidos o manchados con gasolina, solventes de limpiar en seco u otras sustancias inflamables o explosivas pues pueden emitir vapores inflamables o producir una explosión. Cualquier material en el que haya usado un agente de limpieza o que esté saturado con líquidos o sólidos inflamables, no debe ser colocado en la secadora hasta que todos los restos de tales líquidos o sólidos inflamables y sus vapores hayan sido eliminados. Existen muchos artículos de uso doméstico que son altamente inflamables tales como: acetona, alcohol desnaturalizado, gasolina, kerosén, algunos líquidos de limpieza domésticos, algunos quitamanchas, agua ras, ceras y quitaceras.
  - Los artículos que contienen goma de espuma (pueden ser etiquetados como goma látex) o materiales de textura similar a la goma no deben ser secados en un ajuste de calor muy alto. Los materiales de goma de espuma cuando se calientan, pueden bajo ciertas circunstancias producir incendio por combustión espontánea.
- 3 No deje que los niños jueguen en la secadora o dentro de ella. Es necesario supervisar estrictamente a los niños cuando la secadora está siendo usada cerca de ellos.
- 4 Antes de que la secadora sea puesta fuera de servicio o descartada, retire la puerta del compartimiento de secado.
- 5 No introduzca la mano en la secadora si el tambor está girando.
- 6 No instale ni guarde esta secadora donde estará expuesta a las inclemencias del tiempo.
- 7 No altere los controles.
- 8 No repare ni reemplace ninguna pieza de la secadora ni intente efectuar ningún servicio a menos que se recomiende específicamente en las instrucciones de reparación por el usuario y que usted comprenda y tenga habilidad para efectuarlas.
- 9 No use suavizadores de telas o productos para eliminar la estática a menos que sean recomendados para uso en la secadora por el fabricante del suavizador de telas o del producto.
- 10 Limpie el filtro de pelusas antes o después de cada secado.
- 11 Mantenga el área alrededor de la abertura del escape y las áreas vecinas libres de acumulación de pelusas, polvo y suciedad.
- 12 El interior de la secadora y el conducto de escape deben ser limpiados periódicamente por personal de servicio calificado.
- 13 Este electrodoméstico debe ser puesto a tierra de manera apropiada. Nunca enchufe el cordón del electrodoméstico en un tomacorriente que no esté debidamente puesto a tierra y de acuerdo con el código nacional y local. Vea las instrucciones de instalación para la puesta a tierra de este electrodoméstico.
- 14 No se siente en la parte superior de la secadora.

## ADVERTENCIA

**ADVERTENCIA:** No coloque en su secadora artículos que han estado manchados o remojados en aceite vegetal o aceite de cocina. Aún después de ser lavados estos artículos pueden contener cantidades significativas de estos aceites. El aceite restante puede encenderse espontáneamente. El peligro de emisión espontánea aumenta cuando los artículos que contienen aceite vegetal o aceite de cocina son expuestos al calor. Las fuentes de calor, tales como una secadora de ropa, pueden calentar estos artículos permitiendo que se produzca una reacción de oxidación en el aceite. La oxidación crea calor. Si este calor no puede escapar, los artículos quedan lo suficientemente calientes como para prenderse fuego. Al amontonar, aplicar o guardar artículos se evita que el calor escape creando un peligro de incendio.

Todas las telas lavadas y no lavadas que contengan aceite vegetal o aceite de cocina pueden ser peligrosas. Si lava estos artículos en agua caliente y con detergente adicional reducirá, pero no eliminará, el peligro. Siempre use el ciclo “cool down” (enfriamiento) para estos artículos a fin de reducir la temperatura de los artículos. Nunca saque estos artículos de la secadora caliente ni interrumpa el ciclo de secado hasta que los artículos no hayan pasado por el ciclo “cool down”, nunca amontone ni apile estos artículos cuando estén calientes.

## ADVERTENCIA

**ADVERTENCIA:** Podían ocurrir fugas de gas en el sistema y causar una situación peligrosa. Es posible que las fugas de gas no se detecten con el olfato solamente. Los proveedores de gas recomiendan que compre e instale un detector de gas aprobado por UL. Instálelo y úselo de acuerdo con las instrucciones del fabricante.

**IMPORTANTE:** Debido a la mejora continua de sus productos, Maytag se reserva el derecho de cambiar las especificaciones sin previo aviso. Si desea ver los detalles completos, consulte las instrucciones de instalación que vienen con su producto antes de seleccionar el tipo de ebanistería, marcar las aberturas o comenzar la instalación.

## CONSERVER CES INSTRUCTIONS

# SUGERENCIAS PARA EL ESCAPE DE LA SECADORA

## ⚠️ ADVERTENCIA

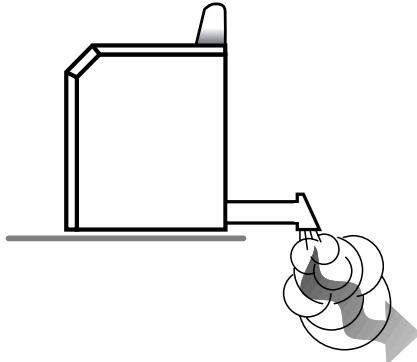
⚠️ **ADVERTENCIA:** Los conductos flexibles de plástico o no metálicos presentan un peligro potencial de incendio.

### CORRECTO

Lea las instrucciones de instalación y la Guía del Usuario.

### CORRECTO

Asegúrese de que el aire salga fácilmente por el escape de la secadora.

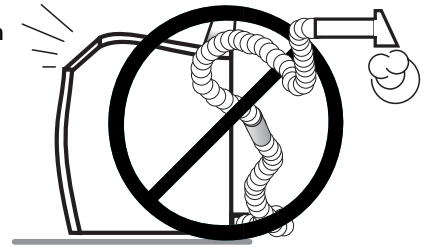


### INCORRECTO

Permitir que un sistema de escape deficiente prolongue el tiempo de secado.

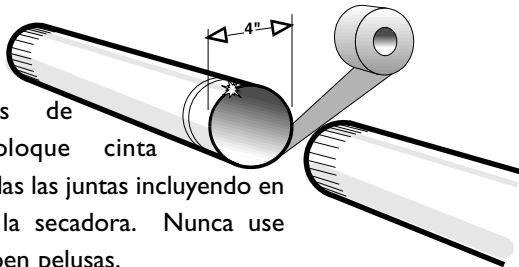
### INCORRECTO

Restringir su secadora con un sistema de escape deficiente.



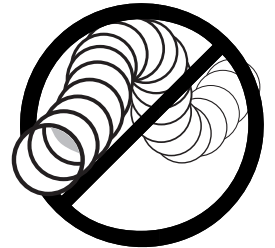
### CORRECTO

Use un conducto de metal rígido de 4 pulgadas de diámetro. Coloque cinta obturadora en todas las juntas incluyendo en la conexión con la secadora. Nunca use tornillos que atrapen pelusas.



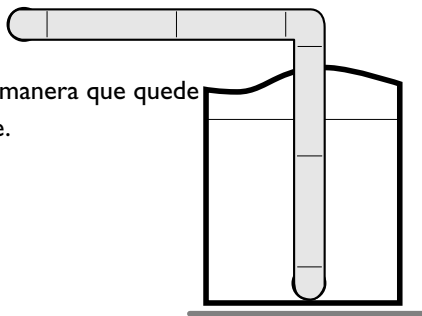
### INCORRECTO

Usar conductos flexibles de plástico, aluminio delgado o no metálicos.



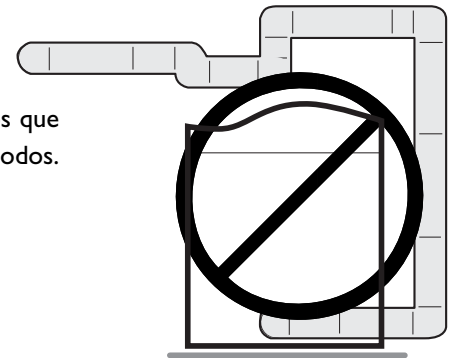
### CORRECTO

Instale el conducto de manera que quede lo más derecho posible.



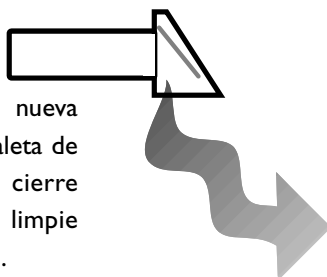
### INCORRECTO

Usar conductos más largos que lo necesario con muchos codos.



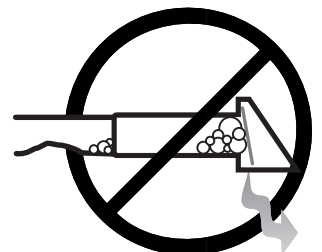
### CORRECTO

Limpie todos los conductos antiguos antes de instalar su nueva secadora. Asegúrese de que la aleta de ventilación se abra y se cierre libremente. Inspeccione y limpie anualmente el sistema de escape.



### INCORRECTO

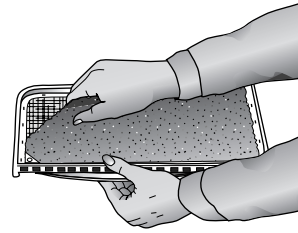
Aplastamiento u obstrucción de los conductos y del respiradero.



## SUGERENCIAS PARA EL FUNCIONAMIENTO

### LIMPIE EL FILTRO DE LAS PELUSAS

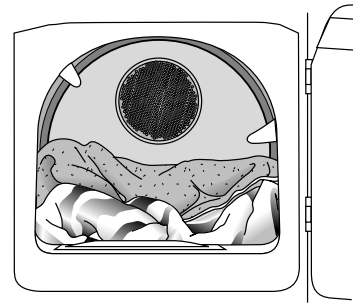
- Después de cada secado.
- Para acortar el tiempo de secado.
- Para que la secadora funcione con un consumo más eficiente de energía.



**NOTA:** Nunca haga funcionar la secadora sin tener instalado el filtro de pelusas.

### CARGUE LA ROPA EN LA SECADORA EN FORMA ADECUADA

- Colocando en la secadora solamente una carga de ropa lavada a la vez.
- Evitando colocar artículos muy pequeños o mezclar ropas muy pesadas con ropas livianas.
- Cuando necesite secar solo uno o dos artículos agregue unos pocos artículos similares para mejorar la circulación y la eficiencia del secado.
- Cuando seque artículos grandes y voluminosos tales como frazadas o cobertores, puede que sea necesario volver a distribuir la ropa durante el ciclo para asegurar un secado uniforme.



### AGREGUE UNA HOJA DE SUAVIZADOR DE TELAS (SI LO DESEA)

- Después de colocar la ropa en la secadora.
- Para controlar la estática.
- Antes de que la ropa comience a calentarse. Esto evita las manchas grasientas que deja el suavizador.
- Retire cualquier hoja de suavizador usada de la secadora para evitar que el suavizador deje manchas grasientas.

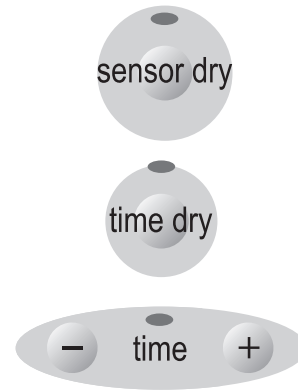
# VISTA GENERAL DE LOS CONTROLES

## Paso 1

**'Sensor Dry' (sensor de secado)** – detecta automáticamente la humedad en la ropa y apaga la secadora cuando se ha alcanzado el nivel de secado seleccionado (muy seco a secado húmedo). Este ciclo se recomienda para la mayoría de la ropa incluyendo ropas delicadas, telas inarrugables y de algodón/fuertes como toallas, ropa de cama y vaqueros.

**0**

**'Time Dry' (tiempo de secado)** – puede ser seleccionado para cualquier tipo de ropa si es que no se usa 'Sensor Dry'. Oprima la tecla "+" o "-" para seleccionar el número de minutos deseado.



## Paso 2

**'Dry Temp' (temperatura de secado)** – existen cuatro ajustes para la temperatura. Oprima la tecla "∧" o "∨" para seleccionar temperatura regular, media, delicada o muy baja.

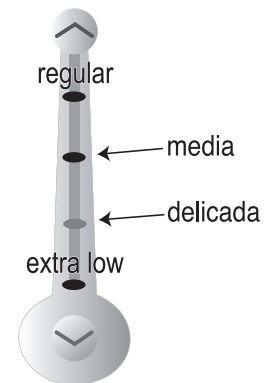
**'Regular' (regular)** – para los cottons robustos o ésos etiquetó "caída seca."

**'Medium' (media)** – para la prensa permanente, los sintéticos, los cottons ligeros o los items etiquetaron" caída el media seco."

**'Delicate' (delicada)** – para los items sensibles del calor etiquetó "caída bajo seco" o la "caída seca se calienta."

**'Extra Low' (baja temperatura adicional)** – proporciona a la temperatura seca calentado lo más bajo posible. La "baja temperatura adicional" es más baja que "delicada."

## Dry Temp



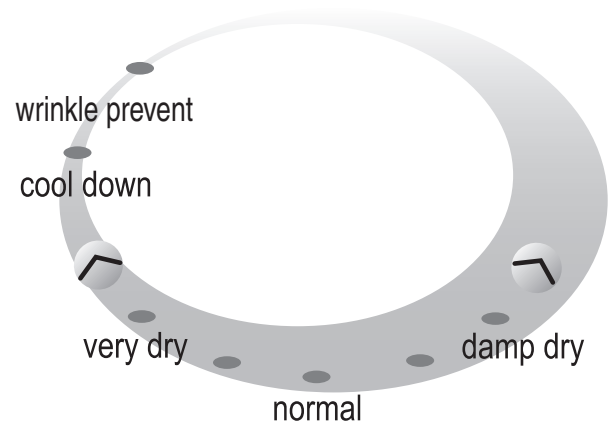
## Paso 3

**Selección del Nivel de Secado** – oprima la tecla "∧" o "∨" para seleccionar el nivel de secado deseado. El nivel de secado puede ser establecido en un ajuste exacto o entre dos ajustes.

**'Very Dry' (muy seco)** – se usa para secar completamente artículos gruesos o voluminosos, incluyendo toallas y vaqueros.

**'Normal' (normal)** – se usa para secar la mayoría de la ropa de lavado.

**'Damp Dry' (secado húmedo)** – se usa para secar parcialmente la ropa. Se recomienda para los artículos que deben secarse sobre una superficie plana o que deben colgarse para secarlos.



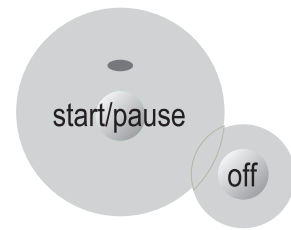
## Paso 4

**Ajuste de la Señal Sonora** – la señal de fin de ciclo es regulable. Oprima la tecla "+" o "-" para aumentar o disminuir el volumen de la señal sonora.



## Paso 5

**'Start/Pause' (puesta en marcha/pausa)** – cierre la puerta y oprima la tecla **'start/pause'** para poner en marcha la secadora. Si se oprime **'off' (apagado)**, el ciclo se cancela y la secadora se detiene.



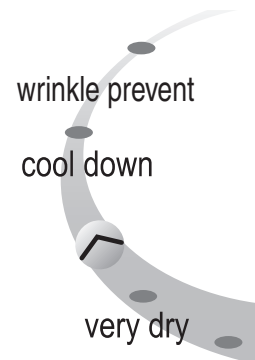
### DESPLIEGUE DEL TIEMPO ESTIMADO

- Después de oprimir **'start/pause'**, este indicador mostrará el tiempo estimado restante del ciclo.



### LUCES INDICADORAS

- Las luces indicadoras situadas sobre los niveles de secado se iluminarán cuando se oprima la tecla correspondiente.
- La luz indicadora **'cool down' (enfriamiento)** se iluminará cuando la secadora pasa a la parte de enfriamiento del ciclo.
- Si se ha seleccionado la opción **'wrinkle prevent' (planchado permanente)** la luz de 'wrinkle prevent' se iluminará para indicar que la ropa está seca y que la secadora ha pasado a la parte de planchado permanente del ciclo (ver a continuación).



### OPCIÓN 'WRINKLE PREVENT' (PLANCHADO PERMANENTE)

**'Wrinkle Prevent'** – proporciona aproximadamente 95 minutos de agitación intermitente en aire sin calor al final del ciclo para reducir las arrugas.

### SPECIAL CYCLES (CICLO ESPECIALES)

**'Wrinkle Release' (eliminación de arrugas)** – elimina las arrugas de los artículos que están limpios y secos pero ligeramente arrugados, tal como aquellos que han estado guardados en un armario o en una maleta muy apretados o que se han dejado en la secadora durante mucho tiempo después de terminarse el ciclo. Provee 10 minutos de agitación con calor y 8 minutos de agitación de enfriamiento sin calor.

**'Air Fluff' (aire frío)** – 20 minutos de agitación con aire frío. Se usa para refrescar la ropa.

### Options

wrinkle prevent

wrinkle release

air fluff

### Special Cycles

## SUGERENCIAS ESPECIALES PARA EL LAVADO

Por favor siga la etiqueta de cuidado o las instrucciones del fabricante para secar artículos especiales. Si las instrucciones de la etiqueta de cuidado no están disponibles, use la siguiente información como una guía.

### Cobertores y Cobijas

- Siga las instrucciones de la etiqueta de cuidado o seque usando el ciclo de 'Sensor Dry' (Sensor de Secado) y temperatura 'Regular'.
- Asegúrese de que el artículo esté completamente seco antes de usarlo o guardarlo.
- Puede que necesiten ser cambiados de posición para asegurar un secado uniforme.

### Frazadas

- Use 'Sensor Dry' y seque de una frazada a la vez para una mejor acción del tambor.
- Asegúrese de que el artículo esté completamente seco antes de usarlo o guardarlo.

### Cortinajes y Cortinas

- Use el Ciclo 'Sensor Dry' y el ajuste de temperatura 'Extra Low' (Muy Baja) para ayudar a eliminar las arrugas.
- Seque estos artículos en cargas pequeñas para mejores resultados y retírelos tan pronto como sea posible.

### Pañales de Tela

- Use 'Sensor Dry' y el ajuste de temperatura 'Regular' para pañales suaves y esponjosos.

### Artículos rellenos con plumas (chaquetas, sacos de dormir, cobertores, etc.)

- Use 'Sensor Dry' y el ajuste de temperatura 'Extra Low'.
- Coloque un par limpio de zapatillas de tenis en la secadora con el artículo para esponjar los cobertores rellenos de plumas, etc. Si se agrega un par de toallas secas se acorta el tiempo de secado y se absorbe la humedad.

### Goma de Espuma (forros de las alfombras, muñecos de peluche, hombreras, etc.)

- NO seque en un ajuste con calor. Use el ciclo especial 'Air Fluff' (Aire Frío) (sin calor).
- ADVERTENCIA – Si se seca un artículo de goma con calor lo puede dañar o puede constituir un peligro de incendio.

### Almohadas

- Use 'Sensor Dry'.
- Agregue un par de toallas secas y un par de zapatillas de tenis limpias para ayudar la acción del tambor y para esponjar el artículo.
- NO seque en la secadora almohadas capoc o de espuma.

### Plásticos (cortinas de duchas, fundas de muebles de patio, etc.)

- Use 'Air Fluff' o 'Time Dry' (Tiempo de Secado) y el ajuste de temperatura 'Extra Low' (Muy Baja) dependiendo de las instrucciones de la etiqueta de cuidado.

## EVITE SECAR EN LA SECADORA

- Artículos de fibra de vidrio (cortinas, cortinajes, etc.)
- Artículos de lana a menos que se recomiende en la etiqueta.
- Artículos empapados con aceite vegetal o aceite de cocina. (Ver página 26)

## CUIDADO Y LIMPIEZA

**Panel de Control** – limpie con un paño suave y húmedo. No use sustancias abrasivas. No rocíe el limpiador directamente en el panel.

**Tambor** – quite cualquier mancha tales como crayón, tinta de pluma o tintas de telas (provenientes de artículos nuevos tales como toallas o vaqueros) con un limpiador para todo propósito. Luego coloque en el tambor toallas viejas o estropajos para quitar cualquier resto de mancha o de sustancia de limpieza. Una vez que se hayan realizado estos pasos, puede que las manchas

todavía sean visibles, pero no se transferirán a las cargas de ropa subsiguientes.

**Gabinete** – limpie cualquier marca que tenga con agua y jabón.

**Sistema de Escape de la Secadora** – debe ser inspeccionado y limpiado una vez al año para mantener un rendimiento óptimo. La campana de escape exterior debe ser limpiada más frecuentemente para asegurar funcionamiento adecuado. (Consulte las Instrucciones de Instalación para obtener mayor información.

## REEMPLAZO DE LA LUZ DEL TAMBOR

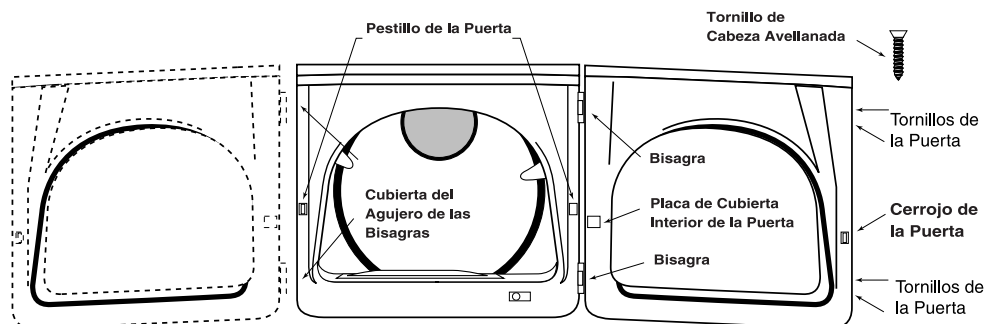
### Instrucciones para reemplazar la bombilla:

- 1) Desenchufe o desconecte la secadora del suministro de energía eléctrica.
- 2) Abra la puerta y use un destornillador Phillips para sacar el tornillo que sujeta el lente a la parte delantera del tambor.
- 3) Saque la cubierta del lente tirando de la cubierta hacia el centro del tambor.
- 4) Gire la bombilla a la izquierda para sacarla del casquillo.
- 5) Reemplace la bombilla con una bombilla de 120 voltios, 10 watts máximo, con base de candelabro.
- 6) Gire la bombilla a la derecha en el casquillo.
- 7) Vuelva a colocar la cubierta del lente enganchando las lengüetas de plástico en la parte delantera del tambor debajo de la caja de la luz.
- 8) Vuelva a instalar el tornillo en el agujero de la cubierta del lente.
- 9) Vuelva a enchufar la secadora en la fuente de alimentación.

## INVERSIÓN DE LA PUERTA

### Instrucciones para invertir la puerta de la secadora.

- 1) Saque las cubiertas de los agujeros de las bisagra y los tornillos.
- 2) Mientras sujeta la puerta, saque dos tornillos de las bisagras que aseguran las bisagras al gabinete.
- 3) Saque la puerta levantándola ligeramente de las bisagras y tirando las lengüetas de la bisagra hacia fuera de las ranuras de las bisagras.
- 4) Mueva las siguientes piezas al otro lado de la puerta: 2 bisagras y 4 tornillos de bisagras, 4 tornillos de la puerta, el cerrojo de la puerta y el tornillo, la placa interior de cubierta de la puerta y el tornillo.
- 5) Instale la puerta en el lado opuesto del gabinete usando los 2 tornillos de cabeza avellanada de la bisagra. (Ver a conti-nuación). Atornille primero el tornillo inferior de la bisagra. Esto ayudará a alinear la puerta y las bisagras.
- 6) Vuelva a colocar las tapas de los agujeros de la bisagra en el lado opuesto.



# ANTES DE SOLICITAR SERVICIO

## VERIFIQUE LO SIGUIENTE SI SU SECADORA MAYTAG NEPTUNE®...

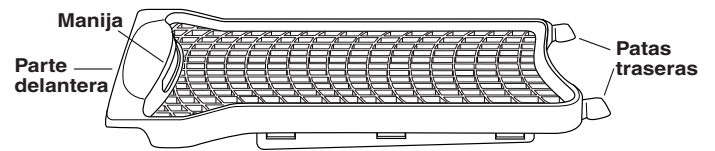
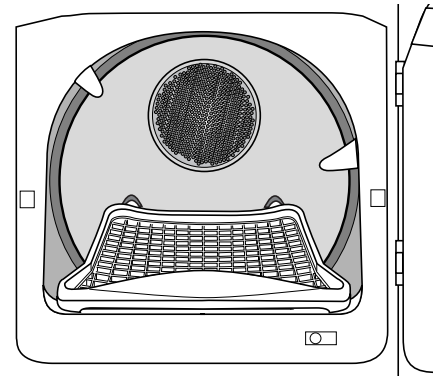
<p><b>No Funciona</b></p>	<ul style="list-style-type: none"> <li>• Asegúrese de que la puerta esté bien cerrada.</li> <li>• Asegúrese de que el cordón eléctrico esté enchufado en un tomacorriente eléctrico con corriente.</li> <li>• Verifique el disyuntor y los fusibles del hogar.</li> <li>• Oprima la teclas <b>'start/pause'</b> nuevamente si la puerta se abre durante el ciclo.</li> </ul>
<p><b>No Calienta</b></p>	<ul style="list-style-type: none"> <li>• Verifique el disyuntor y los fusibles del hogar.</li> <li>• Seleccione un ajuste de calor, no seleccione 'air fluff' (aire frío).</li> <li>• En una secadora de gas, verifique que el gas esté abierto.</li> <li>• Limpie el filtro de pelusas y el conducto de escape.</li> <li>• La secadora puede haber pasado a la porción de enfriamiento del ciclo.</li> </ul>
<p><b>No Seca</b></p>	<ul style="list-style-type: none"> <li>• Verifique todo lo anterior, además de lo siguiente...</li> <li>• Asegúrese de que la campana de escape en el exterior de la casa se pueda abrir y cerrar libremente.</li> <li>• Verifique el sistema de escape para ver si hay acumulación de pelusas. El conducto debe ser inspeccionado y limpiado anualmente.</li> <li>• Use un conducto de metal rígido de 4".</li> <li>• No sobrecargue. 1 carga de ropa lavada = 1 carga de la secadora.</li> <li>• Separe los artículos pesados de los artículos livianos.</li> <li>• Los artículos grandes, voluminosos como cobertores o cubrecamas pueden requerir redistribución para asegurar un secado uniforme.</li> <li>• Verifique que la lavadora esté desaguando en forma adecuada para extraer suficiente agua de la carga.</li> <li>• La carga de ropa es demasiada pequeña para girar en forma debida. Agregue unas pocas toallas.</li> </ul>
<p><b>Es Ruidosa</b></p>	<ul style="list-style-type: none"> <li>• Verifique la carga de ropa para ver si hay objetos tales como monedas, botones sueltos, clavos, etc. Retírelos inmediatamente.</li> <li>• Es normal oír la válvula de gas de la secadora o el ciclo del elemento calefactor encenderse y apagarse durante el ciclo de secado.</li> <li>• Asegúrese de que la secadora esté bien nivelada como se describe en el manual de instalación.</li> <li>• Asegúrese de que las patas de goma hayan sido instaladas en los tornillos niveladores.</li> <li>• Es normal que la secadora haga un ruido debido a la alta velocidad del aire que se mueve a través del tambor de la secadora y del sistema de escape.</li> </ul>
<p><b>No Seca en Forma Pareja Uniforme</b></p>	<ul style="list-style-type: none"> <li>• Las costuras, bolsillos y otras áreas similares pueden no estar completamente secas cuando el resto de la carga ha alcanzado el nivel de secado seleccionado. Esto es normal. Seleccione el ajuste 'Very Dry' (Muy Seco) si se desea.</li> <li>• Si un artículo pesado se seca en una carga de artículos livianos tales como una toalla con sábanas, es posible que el artículo pesado no esté completamente seco cuando el resto de la ropa ha llegado al nivel de secado seleccionado. Separe los artículos pesados de los livianos para obtener los mejores resultados de secado.</li> </ul>
<p><b>Tiene Olor</b></p>	<ul style="list-style-type: none"> <li>• Los olores domésticos tales como olor de pintura, barnices, limpiadores fuertes, etc. pueden penetrar en la secadora con el aire ambiente. Esto es normal pues la secadora extrae el aire de la habitación, lo calienta, lo pasa a través del tambor y lo hace salir al exterior. Cuando estos olores están presentes en el aire, ventile completamente la habitación antes de usar la secadora.</li> </ul>
<p><b>El "PF" aparece el la visualización</b></p>	<ul style="list-style-type: none"> <li>• El secador ha experimentado un apagón. Presione "OFF;" el relanzer el ciclo.</li> </ul>

Para mayor ayuda, llame gratuitamente a 'Maytag Customer Assistance' (Servicio Maytag a los Clientes) al 1-800-688-9900 EE.UU. o 1-800-688-2002 Canadá.

# REJILLA DE SECADO (MODELOS SELECTOS)

## INSTALACIÓN DE LA REJILLA DE SECADO

- 1) Abra la puerta de la secadora.
- 2) Introduzca la rejilla de secado en el tambor colocando las dos patas traseras en las dos áreas rebajada en la pared trasera de la secadora.
- 3) Coloque el borde delantero de la rejilla de secado sobre el filtro atrapapelusas.
- 4) Coloque los artículos que van a ser secados en la rejilla de secado, dejando espacio entre ellos de modo que el aire pueda llegar a todas las superficies.
- 5) Cierre la puerta de la secadora.
- 6) Use el ciclo 'Time Dry' (**Tiempo de Secado**). Seleccione el tiempo de acuerdo con la humedad y peso de los artículos. Ponga en marcha la secadora. Puede ser necesario reajustar el temporizador si es necesario un período de secado más prolongado.



## ALMACENAMIENTO DE LA REJILLA DE SECADO

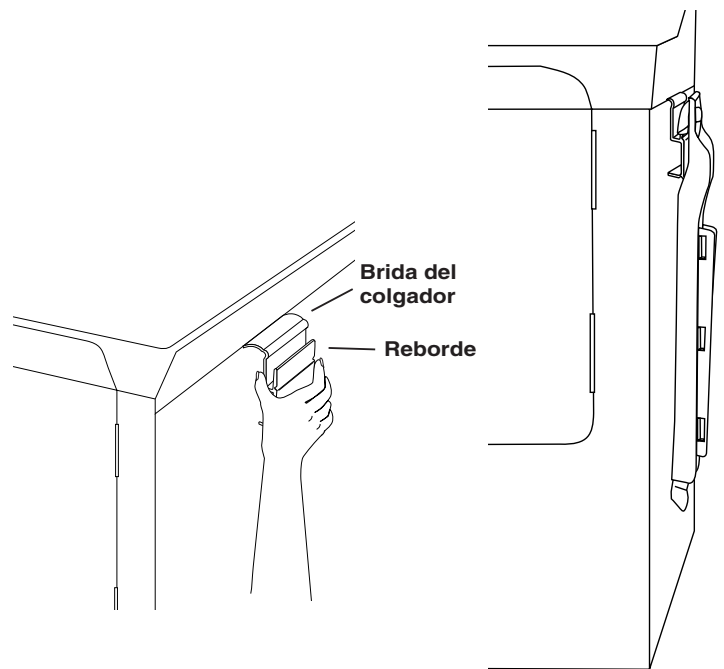
### En los costados de la secadora:

El colgador de la rejilla de secado calza entre la parte superior de la secadora y el gabinete de la secadora.

- 1) Coloque la brida del colgador en la costura entre la parte superior y el gabinete. Empuje bien hacia adentro.
- 2) Dirija la parte superior de la rejilla de secado hacia el costado del gabinete de la secadora.
- 3) Cuelgue la manija de la rejilla de secado en el borde del colgador.

### En la parte trasera de la secadora:

- 1) Coloque el colgador de la rejilla de secado entre la parte superior de la secadora y el gabinete de la secadora, justo debajo de la parte trasera del panel de control.
- 2) Coloque la brida de plástico en la costura y bien hacia adentro.
- 3) Dirija la parte superior de la rejilla de secado hacia el costado del gabinete de la secadora.
- 4) Cuelgue la manija de la rejilla de secado en el borde del colgador.



**NOTA:** Si el juego de accesorios MALI 100AXX no fue incluido con su secadora, póngase en contacto con su distribuidor Maytag o llame al 1-877-232-6771 EE.UU. o 1-800-688-8408 Canadá.

### **⚠️ ADVERTENCIA**

**ADVERTENCIA:** Si se seca la goma de espuma, plástico o goma en un ajuste de calor se puede dañar el artículo y crear un peligro de incendio.

### ARTICULOS SUGERIDOS

### AJUSTES DE TEMP. SUGERIDOS

Súeteres lavables (Deles forma y colóquelos planos en la rejilla)	Heat (Calor)
Juguetes rellenos (rellenos con algodón o poliéster)	Heat (Calor)
Juguetes rellenos (rellenos con espuma o goma)	Air Fluff (Aire frío)
Almohadas de goma de espuma	Air Fluff (Aire frío)
Zapatillas	Air Fluff or Heat (Aire frío o calor)

# GARANTÍA DE LA SECADORA DE ROPA

## Garantía de la Secadora Maytag Neptune®

### Garantía Completa de Un Año

Durante un (1) año desde la fecha original de compra al por menor, se reparará o reemplazará gratuitamente cualquier pieza que falle durante el uso normal en el hogar.

### Garantía Limitada

Después del primer año desde la fecha original de compra al por menor a través de los períodos indicados a continuación, las piezas indicadas a continuación que fallen en uso normal en el hogar serán reparadas o reemplazadas gratuitamente, por la pieza misma y el propietario deberá pagar todos los otros gastos, incluyendo mano de obra, kilometraje/millaje, transporte, costo del viaje y costo del diagnóstico, si fuese necesario.

**Segundo Año** – Todas las piezas.

### Garantía Limitada Adicional Contra Oxidación

Si el gabinete exterior, incluyendo la parte superior y la puerta, se oxida durante el primer año a partir de la fecha de compra original al por menor, se reparará o reemplazará gratuitamente. Después del primer año y hasta el quinto año se reparará o reemplazará gratuitamente la pieza misma y el propietario deberá pagar todos los otros gastos, incluyendo mano de obra, kilometraje/millaje, transporte, costo del viaje y costo del diagnóstico, si fuese necesario.

**Sírvase Notar:** Esta garantía completa y la garantía limitada son válidas solamente cuando la secadora está ubicada en los Estados Unidos o Canadá. Las secadoras ubicadas en otra parte están cubiertas por la garantía limitada solamente, incluyendo piezas que fallan durante los dos primeros años.

### Residentes Canadienses

Esta garantía solamente cubre aquellos electrodomésticos instalados en Canadá que están registradas con la Canadian Standards Association (Asociación de Normas Canadienses) a menos que los electrodomésticos sean traídas desde los Estados Unidos a Canadá debido a un cambio de residencia.

Las garantías específicas expresadas anteriormente son las UNICAS garantías provistas por el fabricante. Esta garantía le otorga derechos legales específicos y usted puede tener además otros derechos que varían de un estado a otro.

## Lo Que No Cubren estas Garantías:

1. Situaciones y daños resultantes de cualquiera de las siguientes eventualidades:
  - a. Instalación, entrega o mantenimiento inapropiados.
  - b. Cualquier reparación, modificación, alteración o ajuste no auto-riizado por el fabricante o por un centro de servicio autorizado.
  - c. Mal uso, abuso, accidentes o uso irrazonable.
  - d. Corriente eléctrica, voltaje o suministro incorrectos.
  - e. Ajuste incorrecto de cualquiera de los controles.
2. Las garantías quedan nulas si los números de serie originales han sido retirados, alterados o no son fácilmente legibles.
3. Focos.
4. Productos comprados para uso industrial o comercial.
5. El costo del servicio o llamada de servicio para:
  - a. Corregir errores de instalación.
  - b. Instruir al usuario sobre el uso correcto del artefacto.
  - c. Transportar el electrodoméstico al establecimiento de reparación.
6. Los daños consecuentes o incidentales sufridos por cualquier persona como resultado del incumplimiento de estas garantías.  
En algunos estados no se permite la exclusión o limitación de daños consecuentes o incidentales, por lo tanto la limitación o exclusión anterior puede no aplicarse en su caso.

## Para Recibir Servicio Bajo la Garantía

Para localizar una compañía de servicio autorizada en su área, póngase en contacto con el distribuidor a quien compró el electrodoméstico o llame a Maytag Services<sup>SM</sup>, Maytag Customer Assistance (Ayuda a los Clientes de Maytag). Si el servicio bajo la garantía no es satisfactorio, por favor llame o escriba a:

Maytag Services<sup>SM</sup>  
Attn: CAIR® Center  
P.O. Box 2370  
Cleveland, TN 37320-2370  
**1-800-688-9900 EE.UU.**  
**1-800-688-2002 Canadá**

## Notas:

Cuando se ponga en contacto con Maytag Services<sup>SM</sup>, Maytag Customer Assistance respecto a un problema de servicio, por favor incluya lo siguiente:

- (a) Su nombre, dirección y número de teléfono.
- (b) Número de modelo y número de serie (se encuentra en la parte central inferior de la abertura de la puerta) de su electrodoméstico.
- (c) Nombre y dirección de su distribuidor y la fecha en que se compró el electrodoméstico.
- (d) Una descripción clara del problema que lo afecta.
- (e) Comprobante de compra.

Las Guías de Uso y Cuidado, manuales de servicio y catálogos de repuestos pueden solicitarse a Maytag Services<sup>SM</sup>, Maytag Customer Assistance.

**Maytag • 403 West Fourth Street North • P. O. Box 39 • Newton, Iowa 50208**