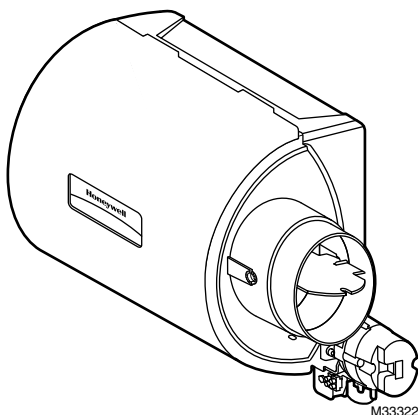


Honeywell

HE240, HE280 Humidifier and Installation Kit

INSTALLATION GUIDE/OWNER'S MANUAL



**SAVE THIS DOCUMENT
FOR FUTURE REFERENCE**



69-2686EF-01

Safety Definitions

These safety terms identify information you must read prior to installing or operating the humidifier.



WARNING

Indicates a hazardous situation which, if not avoided, could result in death or serious injury.



CAUTION

Indicates a hazardous situation which, if not avoided, could cause bodily injury or property damage.

Safety Precautions

Make sure you read and understand the following safety hazards before installing, using, or working with the humidifier:



WARNING

Serious Personal Injury Hazard.

Can cause electrical shock and injury from moving parts.

Disconnect power and shut off water supply before removing cover.



WARNING

Hazardous Voltage

Can cause personal injury or equipment damage.

Do not cut or drill into any air conditioning or electrical accessory.



CAUTION

Chemical Hazard.

Can cause personal injury or equipment damage.

Do not use any line connected to an air conditioner.

Do not use gas line.



CAUTION

Temperature and Static Pressure Hazard.

Can cause property or equipment damage.

Locate humidifier where ambient temperature is between 32 and 120 °F (0 to 49 °C).

Do not install humidifier where freezing temperatures could occur.

Be sure supply plenum static pressure is no greater than 0.4 in. wc and water pressure is no greater than 120 psi.



CAUTION

Sharp Edges Installation Hazard.

Can cause personal injury.

Wear gloves and safety glasses.

IMPORTANT

Read and save these instructions.

WELCOME

Congratulations on your purchase of a Honeywell whole-house humidifier. Proper use of a Honeywell humidifier has numerous benefits related to your family's health and comfort, as well as helping to safeguard and protect your home.

How Your Humidifier Works

Your Honeywell humidifier uses the principle that vapor (evaporated water) is created when warm air blows over a water-soaked area. As the vapor circulates, the relative humidity rises.

Your humidity control monitors the relative humidity and activates the humidifier accordingly. The humidifier has a water supply that dispenses water evenly over a humidifier pad. The warm dry air from the furnace passes over the humidifier pad and picks up the moist air to circulate it throughout your home.

Humidified air feels warmer and more comfortable so you may be able to lower your thermostat heating setpoint, which saves money on your heating fuel bills. The end result is that your humidifier gives you a comfortable environment that is also energy efficient.

Model Specific Features

The HE280 humidifier has water savings technology built in that could save up to 30% versus leading brands. This translates to up to 20 gallons of water saved per day!

APPLICATION

This kit contains your new Honeywell HE240 or HE280 Humidifier, H8908 Humidistat and all the accessories required for installation.

PREPARING FOR THE INSTALLATION

Be sure to identify all the required (Table 1) accessories (included) and make sure the appropriate tools are available before beginning the installation.

Included Accessories

Table 1. Included Accessories.

Quantity	Accessory
48 in. (1.22 m)	Bypass ducting including: 6 in. (155 mm) diameter flexible duct
20 ft (6.2 m)	18 gauge, two-strand thermostat wire
20 ft (6.2 m)	1/4 in. (6.35 mm) OD feed water tubing
10 ft (3.1 m)	1/2 in. (12.7 mm) ID drain tubing
1 bag	Connecting and mounting hardware: 4 mounting screws 1 drain tube clamp
1	H8908 Humidistat
1 bag	Saddle Valve Assembly: 1 saddle valve and top clamp 1 threaded bottom clamp 2 bolts 1 rubber gasket 1 brass insert 1 plastic bushing 1 eyelet
1	Plug-in transformer
1	Foil tape roll
1 bag	1 plastic elbow 1 grommet 1 connector strap 1 PVC tubing 1 wire nut
1	Mounting template

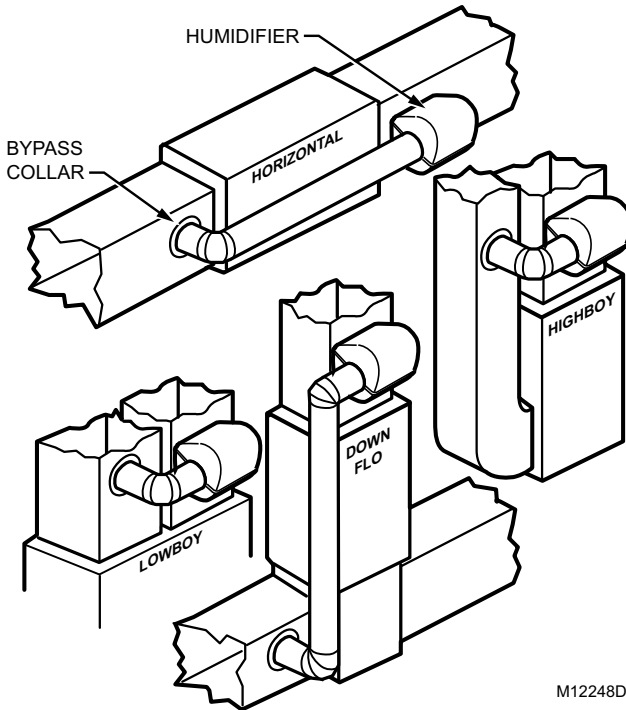
Required Tools

Tools required for installation include:

- Tin snip
- Screwdriver
- Pliers
- Adjustable or open-end wrench
- Drill
- Level
- 3/4 in. (19 mm) sheet metal drill bit

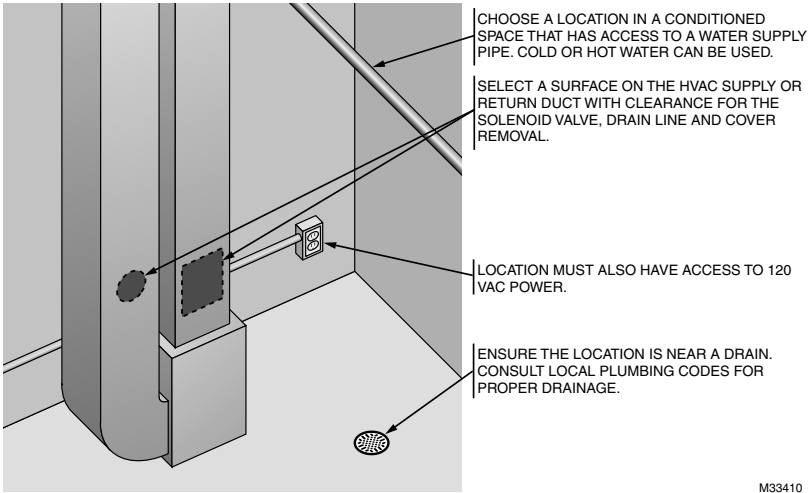
Determining Best Location for Humidifier

- Select a location for the humidifier on the supply (warm air stream) duct. See Fig. 1 for examples. Return duct mounting is acceptable if there are space restrictions on the supply duct. If you are mounting the humidifier on the return duct, simply swap “return duct” for “supply duct” throughout these instructions.
- Select a location that cannot damage the air conditioner A-coil during installation.
- Do not locate the humidifier on the furnace body.
- Mount the humidifier in a conditioned space to prevent freezing.
- Mount the humidifier at least 3 in. (78 mm) above the furnace body to allow adequate space for the solenoid valve and drain line.



M12248D

Fig. 1. Typical humidifier installation locations.



M33410

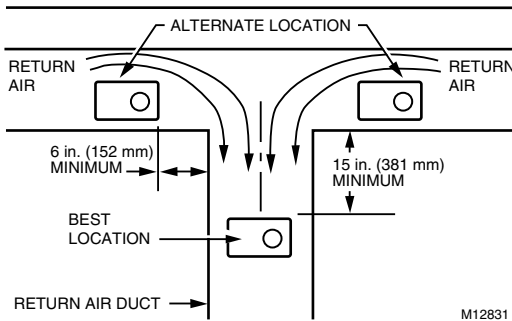
Fig. 2. Typical humidifier installation locations.

Selecting Location for Humidistat

- Select a location for the humidistat on the return plenum or on the wall in the living space.
- Mounting on the return plenum is the easiest installation for the control wiring circuit.

IMPORTANT

The humidistat must be mounted upstream from the humidifier or bypass duct to ensure it is properly sensing the relative humidity of the living space. Locate the control at least 8 in. (203 mm) upstream from the humidifier in the return air duct. (See Fig. 3.)



M12831

Fig. 3. Selecting duct location for humidistat.

Locating Closest 120 V Electrical Outlet

- Select location with access to an outlet. If not available, contact an electrician to have one installed.
- Make sure that the 20 ft (6.2 m) of thermostat wire is adequate to reach from the humidifier to the humidistat, and also from the humidifier to the transformer. Please note that the thermostat wire will need to be cut into the 2 correct lengths. See “Wiring” on page 14 for more information.

INSTALLATION

1. Turn off power to the air handling system at the circuit breaker.
2. Draw a level line on the plenum in the selected location.

IMPORTANT

To ensure optimal product performance, be sure the mounting template is level before marking. Use of a small level is recommended.

3. Locate the template (form number 69-2710 included in the box). For the HE240 model, cut out the template along the dotted line.
4. Tape the template in position and trace around the template.
5. Remove the template and carefully cut the rectangular opening using tin snips.
6. Disassemble the humidifier; remove the cover and take out the humidifier pad assembly. See Fig. 4.

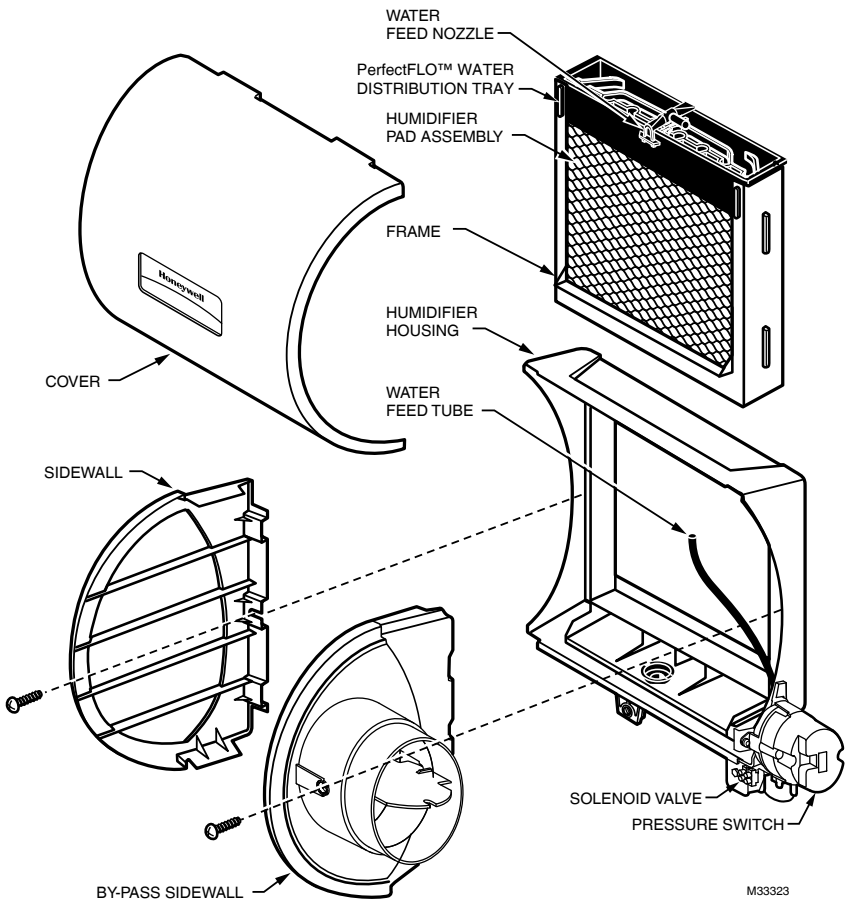


Fig. 4. Disassembling humidifier.

7. Make sure the humidifier housing is level, then position it in the opening so the plastic tabs are in place on the *lower sheet metal edge* of the opening. Use pliers, as necessary, to flatten cut edges. See Fig. 5.
8. Secure the humidifier housing to the opening at the top and bottom using sheet metal screws.
9. Use the 6 in. (155 mm) starter collar as a template to mark the opening for the bypass. The starter collar end can be identified by the pliable metal tabs.

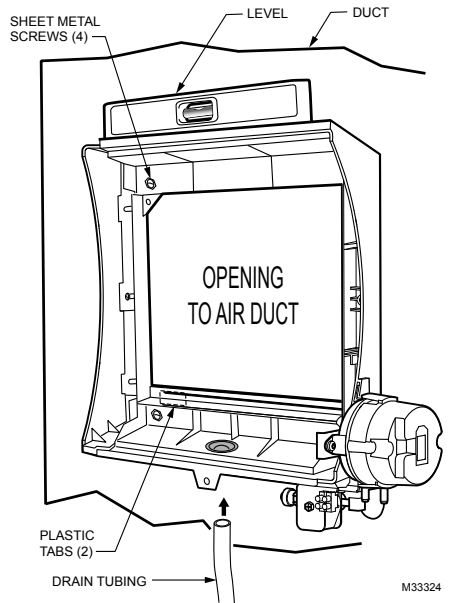


Fig. 5. Installing humidifier on duct.

10. Carefully cut the opening for the 6 in. (155 mm) starter collar end of the 48 in. (1.22 m) flex duct. See Fig. 6. Use a drill to start the cut in the middle of the circle. Cut in an outward spiral to assist in controlling the cut.

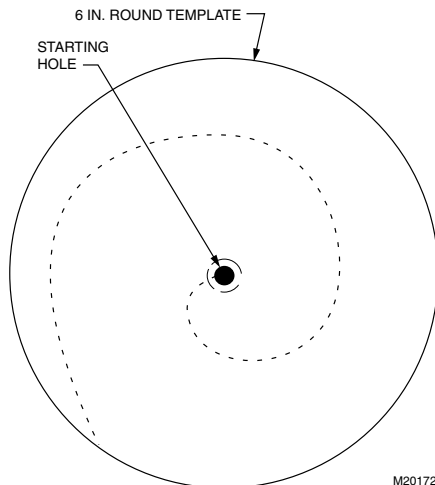


Fig. 6. Cutting bypass opening.

11. Reassemble humidifier side plates to customize the orientation for your specific install. The side plate with the humidifier port needs to be on the side of the humidifier that is closest to the 6 in. (155mm) hole cut in Step 10.
12. Insert flex duct with starter collar into the 6" (155mm) hole that was cut in Step 10. Reach into hole THROUGH THE FLEX DUCT so that the pliable metal tabs can be bent outwards into the hole. These tabs, when bent outwards, will help secure the flex duct into your home's duct work.
13. Slide remaining loose end of flex duct over the humidifier port on the HE240/HE280, making sure that the flex duct advances past the raised plastic tabs on the port. These tabs will help to hold the flex duct in place. Verify that the damper blade has adequate clearance to move back and forth between the summer and winter positions. Secure the flex duct in place with the plastic connector strap.
14. Seal the duct connections with foil tape. Seal both
 - 1) the connection between the starter collar end of the flex duct and the home's duct work and
 - 2) the end of the flex duct to the humidifier over the top of the connector strap.
15. Reinstall the humidifier pad assembly in the humidifier housing.
16. Hinge the cover in place and secure with the thumbscrew located at the bottom of the cover.

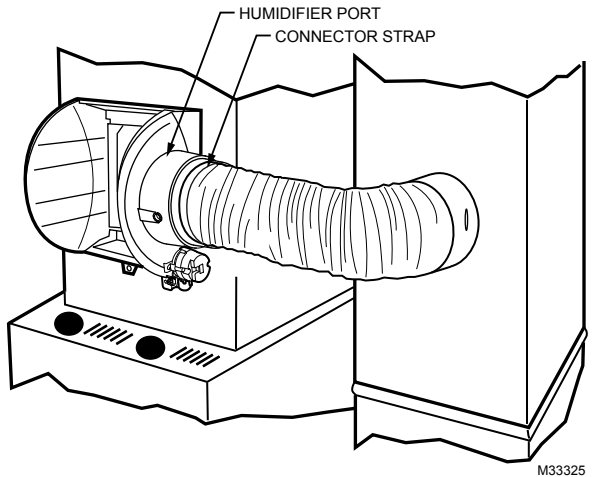


Fig. 7. Connecting bypass ducting.

Connecting the Plumbing

Use hot or cold water and either hard or softened water in the humidifier.

NOTE: Using hot water will increase operating costs, but may provide a small increase in the amount of humidity delivered.

IMPORTANT

Please consult local plumbing code for proper plumbing regulations before beginning. Use of a manual shutoff valve may be required to meet code in your area.

1. Shut off the water.
2. Use the self-piercing saddle valve (included) to tap into the water supply line at the location selected. Turn the handle on the top of the saddle valve to the right (clockwise) until the needle pierces the water supply line. Leave the needle in this position until the humidifier is fully installed to prevent leaking (even though the water supply is turned off, there can still be water in the line that will leak as soon as the needle is backed out). See Fig. 8. If tapping into galvanized pipe, drain the line and pre-drill 3/16 in. tap for the saddle valve.

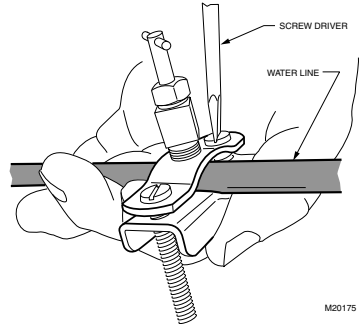


Fig. 8. Installing the saddle valve.

NOTE: The saddle valve is not designed to regulate water flow. The valve is either open or closed.

IMPORTANT

To prevent debris from clogging the solenoid in-line filter, be sure to install the saddle valve handle pointing toward the ceiling.

3. Use 1/4 in. (6 mm) OD tubing and connect the saddle valve to the inlet side of the solenoid valve on the humidifier (see Fig. 9).
 - a. Place the brass compression nut over the tubing.
 - b. Slide the plastic compression ring over the tubing. (Discard copper compression ring provided with valve.)
 - c. Install brass insert into end of tubing.

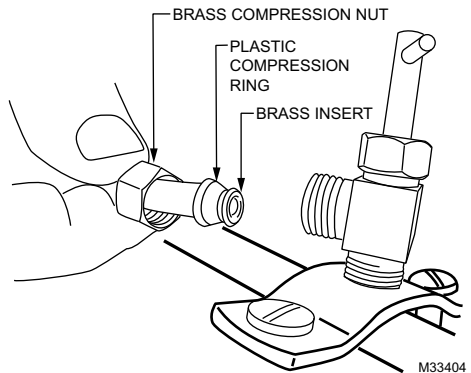
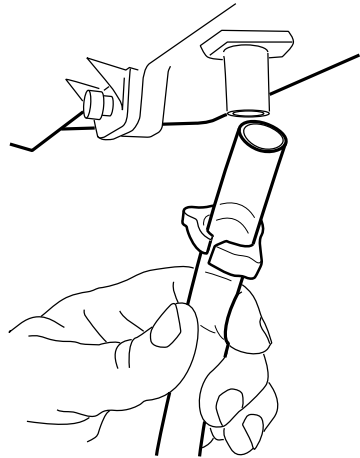


Fig. 9. Installing feed tubing.

NOTE: To prevent leaking, use plastic (Delrin) compression rings with plastic tubing. Use copper sleeve rings only with copper tubing.

- d. Insert the tubing into the saddle valve fitting and support the valve while tightening the compression nut.
 - e. Insert plastic supply tubing into quick connect fitting. Insert fully, and apply modest pull pressure to ensure a tight fit.
4. Use the following steps to install a 1/2 in. (13 mm) drain tube between the humidifier and the floor drain (see Fig. 10).
- a. Slide the drain clamp over the tubing.
 - b. Push the tubing over the drain nipple on the humidifier.
 - c. Hand-tighten the clamp around the tubing to secure it to the humidifier drain. The clamp is tightened by compressing the two sides together so that one side fits into the ridged groove on the other side.
 - d. Secure the tubing (can use foil tape) along the route to prevent movement and ensure downward slope for correct drainage.



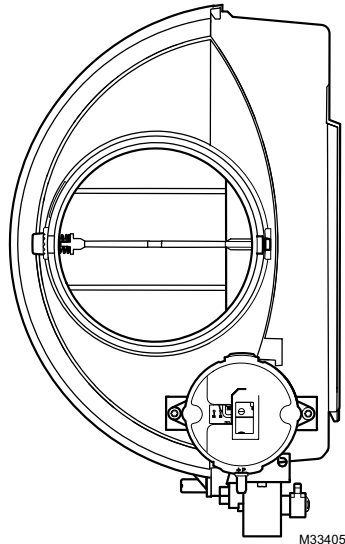
M20177

Fig. 10. Installing the drain tubing.

NOTE: Cut tubing to correct length so the tubing terminates at the drain.

Connecting the Pressure Switch

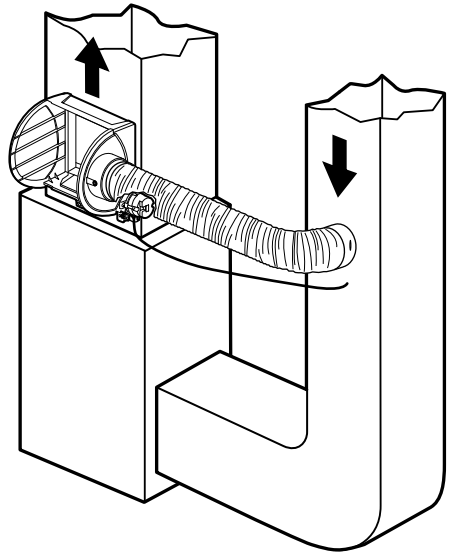
1. If the humidifier is installed on the supply duct (as is recommended), the pressure switch needs to have the tubing fed to the return duct. If the humidifier is installed on the return duct, the pressure switch needs to have the tubing fed to the supply duct.
2. Drill a 3/4-in. (19 mm) diameter hole in the duct within 10 ft. (3 m) of the switch to ensure the provided tubing reaches the pressure tap elbow.



M33405

Fig. 11. Pressure switch.

3. Insert the black rubber grommet into the duct hole.
4. Connect the tubing to the tubing fitting elbow and insert the tubing fitting elbow into the black rubber grommet.
5. Connect the other end of the tubing to the applicable pressure connection on the switch.
 - a. If the humidifier is installed on the supply duct (as is recommended), the tube that inserts into the humidifier needs to be attached to the black port, and the tube that runs to the return duct needs to be attached to the gray port.
 - b. If the humidifier is installed on the return duct, the tube that inserts into the humidifier needs to be attached to the gray port, and the tube that runs to the supply duct needs to be attached to the black port.



M33326

Fig. 12. Installing the pressure switch tubing.

6. You may cut the tubing to fit the connection length between the elbow fitting and switch. It is also recommended to secure the hose to existing structures to avoid accidental disconnection.

Installing the Humidistat

1. Find the mounting template included in the H8908 Humidistat Installation Instructions.
2. Apply the template to the return duct (see Fig. 3 on page 6). Make sure the template is level before drilling. (Use of a small level is recommended.)
3. Remove base bracket from the H8908.
4. Slide the foam gasket onto the base. (See Fig. 14.)
5. Position the base bracket on the duct with the arrow up.
6. Secure the base bracket to the duct using the four 1 in. (25 mm) mounting screws provided with the humidistat. (See Fig. 15.)

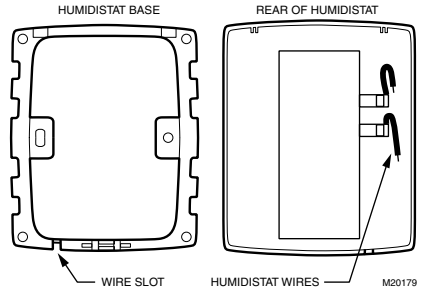


Fig. 13. Humidistat base and rear view.

7. Connect the low-voltage wires to the leads and replace the H8908 case. See Fig. 16.

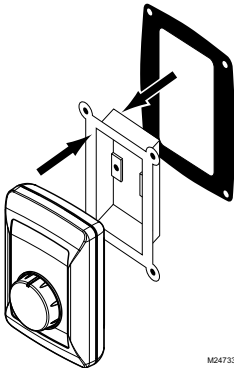


Fig. 14. Slide the foam gasket onto the base.

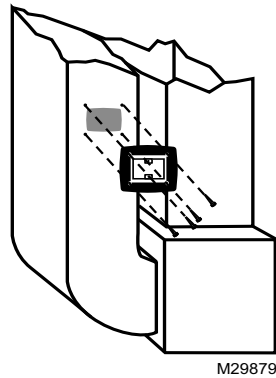


Fig. 15. Secure the base bracket to the duct.

NOTE: For wall mounting instructions, see the H8908 Installation Instructions.

TESTING HUMIDIFIER OPERATION

Checklist

- Humidifier is level.
- Control wiring was reviewed using circuit diagram.
- Humidifier is plugged in.
- Feed line has no kinks.
- Drain line slopes continuously down and ends at floor drain.
- Water hose inside humidifier is connected to PerfectFLO™ water distribution tray.
- Tubing from pressure switch is not kinked or pinched.

After installation use the following steps to check the humidifier operation:

1. Turn on the power and the water supply
2. Ensure the saddle valve is fully opened by turning the handle to the left (counter clockwise) until there is resistance.
3. Turn the H8908 Humidistat to On and turn on the heat by setting the thermostat to 10 °F (6 °C) above room temperature.

IMPORTANT

The furnace blower must be on to activate the humidifier.

4. Make sure that water is flowing out of the drain hose. If water does not flow, see Troubleshooting Your Humidifier section.
5. Check for leaks.
6. Reset the thermostat and H8908 Humidistat to a comfortable setting for automatic operation. (35% relative humidity is recommended.)

OPERATION

Controlling Your Humidity Settings

Your H8908 Humidistat controls your humidifier.

- Choose the humidity control setting using the combination of relative humidity/ outdoor temperature setting scale on your humidity control dial.
- Match the dial setting to the outdoor temperature to optimize the humidity level while reducing the moisture condensation on your windows. See Table 2 on page 16 to adjust the humidity control to the recommended setting.

NOTE: As the outside temperature drops, a lower humidity setting is recommended to accommodate dewpoint effects. These settings should reduce the accumulation of moisture and ice on windows and other areas of the home.

- Adjust the humidity control setting to adjust for indoor activities such as cooking, showering and clothes drying, which can cause excessive levels of humidity that can accumulate moisture on your windows.

NOTE: If these activities persist for more than a few hours, set the humidity control to the lowest setting to turn off the humidifier. If the condition does not improve, ventilate your home to remove the moisture.

Table 2. Setting Your Humidistat.

When Outside Temperature is:	Use This Control Setting:
-20 °F (-29 °C)	15
-10 °F (-23 °C)	20
0 °F (-18 °C)	25
+10 °F (-12 °C)	30
+20 °F (-7 °C)	35
Above 20 °F (-7 °C)	40

MAINTAINING YOUR HUMIDIFIER

A regular maintenance program prolongs the life of your humidifier and makes your home more comfortable. The frequency of cleaning depends on the condition of your water.

You can use either hard or soft water in your humidifier, but hard water mineral deposits are more difficult to clean than soft water deposits.

Use the following procedure to clean your Honeywell humidifier.

IMPORTANT

Never oil any part of the humidifier.

Once per year, depending on water quality

(either at the beginning or the end of the humidification season)

1. Disconnect the power by unplugging the transformer from the outlet and turn off the humidifier's water supply by turning the handle to the right (clockwise) until the water stops flowing and/or there is resistance.
2. Remove the humidifier cover. See Fig. 18 on page 17.
3. Remove the humidifier pad assembly from the humidifier by grasping the top of the tray and pulling it toward you.
4. Pull one side of the humidifier pad assembly frame toward you and remove the tray from the frame.
5. Gently pinch the water nozzle prongs (a pair of prongs is located on each side of the PerfectFLO™ water distribution tray) inward until you can lift the water nozzle off the tray.
6. Slide the humidifier pad out of the frame and discard the pad. Honeywell recommends replacing the humidifier pad on an annual basis. However, if your home has hard water, the pad may need to be replaced more frequently.
7. Carefully remove any mineral deposits from the tray and frame. Be sure the frame drain hole has nothing blocking it.
8. Disconnect the drain hose from the drain fitting on the bottom of the humidifier housing.

9. Clean the drain fitting, if necessary.
10. Bend the drain hose to loosen any mineral deposits.
11. Flush the drain hose with pressurized water (a running tap) to clean the hose.
12. Reattach the drain hose to the drain fitting.
13. Slide a new Honeywell humidifier pad back into the frame.
14. Snap the water nozzle back on the tray.
15. Reattach the tray to the frame.
16. Place the humidifier pad assembly in the humidifier housing and press until the assembly is completely seated. Be careful not to pinch or kink the water feed tube.
17. Replace the humidifier cover.
18. Verify the humidifier operation by following the steps in the Checking Your Humidifier for Correct Operation section.

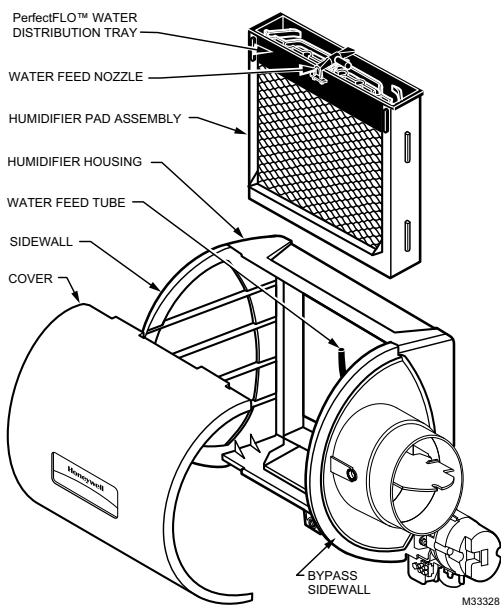


Fig. 18. Cleaning your humidifier.

End of Humidification Season

- Clean the humidifier and shut it off at the end of the heating season.
- Turn the water off at the saddle valve by turning the handle to the right (clockwise) until the water stops flowing and/or there is resistance.
- Unplug the humidifier at the wall outlet
- Turn the damper blade to the "summer" position.

IMPORTANT

Be sure the humidifier power is off.

Replacement Humidifier Pads

Honeywell recommends replacing the humidifier pad on an annual basis. However, if your home has hard water, the pad may need to be replaced more frequently because of the buildup of minerals diminishing its ability to operate normally. If there is access to a water softener, it is recommended to use softened water.

Table 3. Replacement pad part numbers.

Humidifier Model	Replacement Pad
HE240	HC22P
HE280	HC26P

Vacation

- When leaving on vacation, turn off the humidifier water supply and your humidistat.
- When you return, turn on the humidifier water supply and reset your humidistat.

Start of the Humidification Season

Use the following steps to bring the humidifier back to normal (winter) operation:

1. Turn damper blade to "winter" position.
2. Plug the humidifier transformer back into wall outlet and turn water supply to the humidifier back on by turning the handle on the saddle valve to the left (counter clockwise) until there is resistance.
3. Turn the humidistat to its highest setting and set the thermostat to 10 °F (6 °C) above the room temperature.
4. Observe that water is flowing out of the drain hose.

NOTE: The furnace blower must be running to activate the humidifier.

5. Reset the thermostat and humidistat to a comfortable setting for automatic operation. (35% relative humidity is recommended.)

TROUBLESHOOTING YOUR HUMIDIFIER

Table 4. Troubleshooting Humidifier.

Problem	What to look for	What to do
Water leakage	Leaking joints.	Shut off water and tighten connections.
	Brass tubing inserts	Verify that brass tubing inserts are used.
	Saddle valve leaking.	Verify rubber pad is installed on saddle valve.
No water to drain.	Electrical	Verify control circuit wiring. Check all connections.
	Humidistat	Turn humidistat up and down and listen for contact to click.
	Humidifier power	Verify that outlet has power.
	Solenoid	After verifying other wiring components, turn on furnace fan, turn humidistat up and down, and listen for solenoid to click.
	Plumbing	Verify plumbing connections. Check for kinks.
	Saddle valve	Verify that needle pierces water line and then backs out needle to open valve.
	Humidifier	Remove cover and verify that water flows into distribution tray.
	Drain tubing	Verify no obstructions.
Air leakage	Check duct joints	Seal with foil tape.

Table 4. Troubleshooting Humidifier. (Continued)

Low humidity	Furnace blower not operating.	<ul style="list-style-type: none"> • Reset circuit breaker or check for blown fuse. • Check that the furnace power is on. • Check all external wiring connections. • Check the humidity control setting. • Verify that pressure switch tubing isn't pinched or obstructed. • Call a professional heating contractor.
	Rapid air changes. Drafts (cold air is dry and is an added load to the humidifier).	<ul style="list-style-type: none"> • Keep doors and windows closed. • Close fireplace damper when not in use. • Keep exhaust fan running time to a minimum. • Seal around doors and windows.
	Damper in "summer" position	<ul style="list-style-type: none"> • Set damper blade to "winter" position to allow humidification.
High humidity	Condensation on walls.	<ul style="list-style-type: none"> • Turn off humidity control and water until condensation is completely evaporated.
	Heavy condensation on windows.	<ul style="list-style-type: none"> • Turn humidity control down low enough to eliminate condensation caused by moisture from bathing, mopping, cooking, etc. If moisture persists, more ventilation is needed.

LIMITED ONE-YEAR WARRANTY

Honeywell warrants this product, excluding humidifier pad, to be free from defects in the workmanship or materials, under normal use and service, for a period of one (1) year from the date of purchase by the consumer. If, at any time during the warranty period, the product is defective or malfunctions, Honeywell shall repair or replace it (at Honeywell's option) within a reasonable period of time.

If the product is defective, return it, with a bill of sale or other dated proof of purchase, to the retailer where you purchased it.

This warranty does not cover removal or reinstallation costs. This warranty shall not apply if it is shown by Honeywell that the defect or malfunction was caused by damage which occurred while the product was in the possession of a consumer.

Honeywell's sole responsibility shall be to repair or replace the product within the terms stated above. HONEYWELL SHALL NOT BE LIABLE FOR ANY LOSS OR DAMAGE OF ANY KIND, INCLUDING ANY INCIDENTAL OR CONSEQUENTIAL DAMAGES RESULTING, DIRECTLY OR INDIRECTLY, FROM ANY BREACH OF ANY WARRANTY, EXPRESS OR IMPLIED, OR ANY OTHER FAILURE OF THIS PRODUCT. Some states do not allow the exclusion or limitation of incidental or consequential damages, so this limitation may not apply to you.

THIS WARRANTY IS THE ONLY EXPRESS WARRANTY HONEYWELL MAKES ON THIS PRODUCT. THE DURATION OF ANY IMPLIED WARRANTIES, INCLUDING THE WARRANTIES OF MERCHANTABILITY AND FITNESS FOR A PARTICULAR PURPOSE, IS HEREBY LIMITED TO THE ONE YEAR DURATION OF THIS WARRANTY. Some states do not allow limitations on how long an implied warranty lasts, so the above limitation may not apply to you.

This warranty gives you specific legal rights, and you may have other rights which vary from state to state.

If you have any questions concerning this warranty, please write to Honeywell Customer Care, 1985 Douglas Drive, Minneapolis, MN55422.

Automation and Control Solutions

Honeywell International Inc.

1985 Douglas Drive North

Golden Valley, MN 55422

customer.honeywell.com

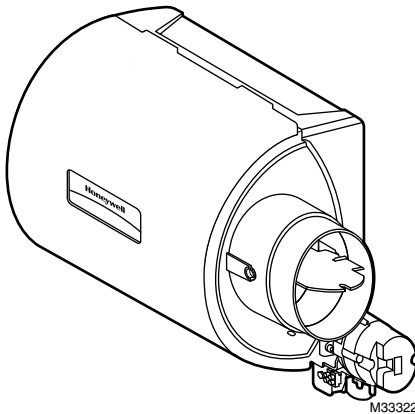
Honeywell

© U.S. Registered Trademark
© 2012 Honeywell International Inc.
69-2686EF—01 M.S. 03-12
Printed in United States

Honeywell

Humidificateurs HE240 et HE280 et trousse d'installation

GUIDE D'INSTALLATION/MANUEL DU PROPRIÉTAIRE



**CONSERVER CE DOCUMENT
POUR RÉFÉRENCE ULTÉRIEURE**

Définitions relatives à la sécurité

Les termes de sécurité identifient des informations qu'il faut lire avant d'installer ou d'utiliser l'humidificateur.

AVERTISSEMENT

Indique une situation dangereuse qui, si elle n'est pas évitée, risque de causer des blessures graves, voire mortelles.

MISE EN GARDE

Indique une situation dangereuse qui, si elle n'est pas évitée, risque d'endommager le produit ou de causer des blessures corporelles.

Précautions relatives à la sécurité

Lire et comprendre les risques d'accident suivants avant d'installer, d'utiliser ou de manipuler l'humidificateur :

AVERTISSEMENT

Risque de blessures graves.

Les pièces mobiles peuvent causer des chocs électriques ou des blessures.

Couper l'alimentation électrique et fermer l'arrivée d'eau avant d'enlever le couvercle.

AVERTISSEMENT

Tension dangereuse

Peut causer des blessures et des dommages matériels.

Ne pas couper ni percer dans aucun appareil de climatisation d'air ou électrique.

MISE EN GARDE

Produits chimiques dangereux.

Peut causer des blessures ou des dommages matériels.

Ne pas installer la tuyauterie reliée au système de climatisation.

Ne pas utiliser de canalisations de gaz.

MISE EN GARDE

Risques liés à une température ou une pression statique élevée.

Peut causer des dommages matériels ou endommager l'équipement.

Installer l'humidificateur dans un endroit où la température ambiante se situe entre 32 et 120 °F (0 et 49 °C).

Ne pas installer l'humidificateur dans un endroit exposé au gel. S'assurer que la pression statique de l'alimentation dans le plenum ne dépasse pas 0,4 po C.E. et que la pression de l'eau ne dépasse pas 120 psi.

MISE EN GARDE

Arêtes vives présentant un danger au moment de l'installation.

Peut causer des blessures.

Porter des gants et des lunettes de sécurité.

IMPORTANT

Veillez lire le mode d'emploi et le conserver en lieu sûr.

BIENVENUE

Félicitations pour votre achat d'un humidificateur pour toute la maison Honeywell. L'utilisation adéquate de l'humidificateur Honeywell offre de nombreux avantages pour la santé et le confort de votre famille, tout en protégeant votre maison.

Fonctionnement de l'humidificateur

L'humidificateur Honeywell utilise le principe selon lequel la vapeur (eau évaporée) est créée lorsque de l'air chaud souffle sur une zone détrempee. Au fur et à mesure que la vapeur circule, l'humidité relative augmente.

Votre niveau d'humidité contrôle l'humidité relative et active l'humidificateur en fonction. L'humidificateur a une alimentation en eau qui distribue l'eau uniformément sur l'écran évaporateur de l'humidificateur. L'air chaud sec provenant de l'appareil de chauffage passe sur l'écran évaporateur de l'humidificateur et récupère l'air humide pour le faire circuler dans la maison.

L'air humide semble plus chaud et plus confortable, ce qui peut permettre de réduire le point de consigne de chauffage du thermostat et les factures d'énergie. Le résultat final est un environnement confortable et produisant des économies d'énergie.

Caractéristiques spécifiques au modèle

L'humidificateur HE280 intègre une technologie permettant d'économiser l'eau qui peut permettre jusqu'à 30 % d'économies en eau par rapport aux marques concurrentielles principales. Ceci signifie jusqu'à 20 gallons d'eau économisés par jour!

APPLICATION

Cette trousse comprend un humidificateur HE240 ou HE280 et un humidistat H8908 de Honeywell ainsi que tous les accessoires nécessaires à l'installation.

AVANT D'INSTALLER CE PRODUIT

Il est important d'identifier tous les accessoires nécessaires (fournis) énumérés au Tableau 1 et d'avoir sous la main les bons outils.

Accessoires fournis

Tableau 1. Accessoires fournis.

Quantité	Accessoires
1,22 m (48 po)	Gaines de dérivation comprenant : Gaine flexible de 155 mm (6 po) diam.
6,1 m (20 pi)	Fil de thermostat à deux brins, grosseur 18.
6,1 m (20 pi)	Tuyau d'arrivée d'eau 6,35 mm (1/4 po) diam. ext.
3,1 m (10 pi)	Tuyau de vidange 12,7 mm (1/2 po) diam.
1 sac	Quincaillerie de raccordement et de fixation : 4 vis de montage 1 collier de tube d'évacuation
1	Humidistat H8908
1 sac	Ensemble robinet-vanne à étrier : 1 robinet-vanne à étrier et bride supérieure 1 bride inférieure filetée 2 boulons 1 joint en caoutchouc 1 garniture en laiton 1 douille en plastique 1 œillette
1	Transformateur enfichable
1	Rouleau de ruban métallique
1 sac	1 coude en plastique 1 passe-fil 1 bride de connecteur 1 tube en PVC 1 serre-fil
1	Gabarit de montage

Outils requis

Les outils nécessaires à l'installation :

- Cisailles à tôle
- Tournevis
- Pincettes
- Clé réglable ou à fourche
- Perceuse
- Niveau
- Foret à tôle de 19 mm (3/4 po)

Choix du meilleur endroit pour l'humidificateur

- Choisir un emplacement pour l'humidificateur sur la gaine d'arrivée (flux d'air chaud). Voir la Fig. 1 pour les exemples. Un montage sur la gaine de retour est permis en cas de limitations d'espace sur la gaine d'arrivée. Si l'humidificateur est monté sur la gaine de retour, il suffit de permuter la gaine de retour et la gaine d'arrivée tout au long de ces instructions.
- S'assurer qu'à l'endroit choisi, le serpentin en A de l'appareil de climatisation ne risque pas d'être endommagé au cours de l'installation.
- Ne pas installer l'humidificateur sur le boîtier de l'appareil de chauffage.
- Installer l'humidificateur dans un endroit où l'air est conditionné pour prévenir le gel.
- Installer l'humidificateur au moins 78 mm (3 po) au-dessus du boîtier de l'appareil de chauffage afin de laisser un espace suffisant pour le montage de l'électrovanne et du tuyau de vidange.

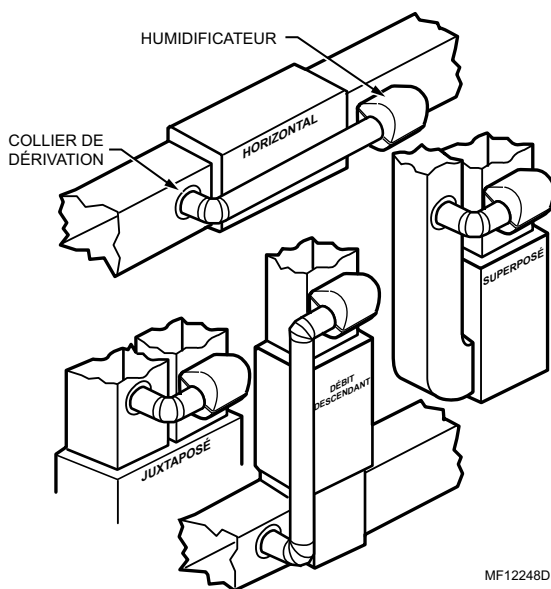
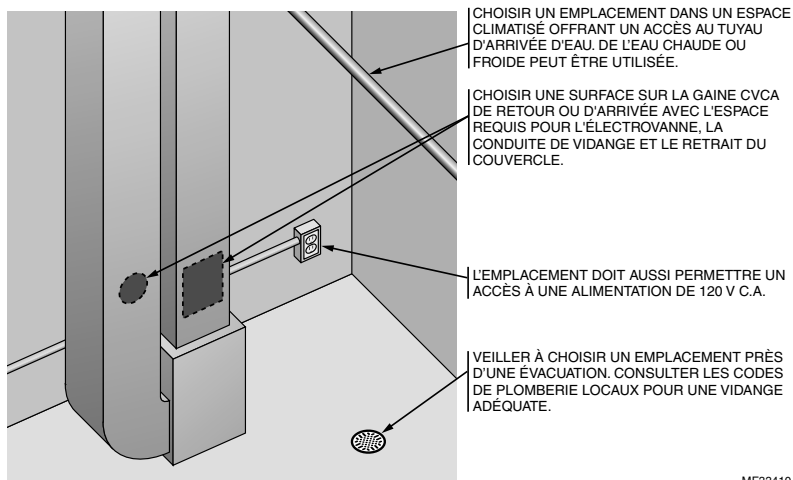


Fig. 1. Emplacements types de l'humidificateur.



MF33410

Fig. 2. Emplacements types de l'humidificateur.

Choix de l'emplacement de l'humidistat

- Installer l'humidistat dans le plenum de reprise ou sur le mur d'une pièce occupée.
- L'installation du circuit de câblage des commandes est beaucoup plus simple lorsque l'humidistat est installé dans le plenum de reprise.

IMPORTANT

L'humidistat doit être monté en amont de l'humidificateur ou du tuyau de dérivation pour assurer une détection adéquate de l'humidité relative de l'espace habité. Placer le régulateur à au moins 203 mm (8 po) en amont de l'humidificateur dans la gaine d'air de retour. (Voir la Fig. 3.)

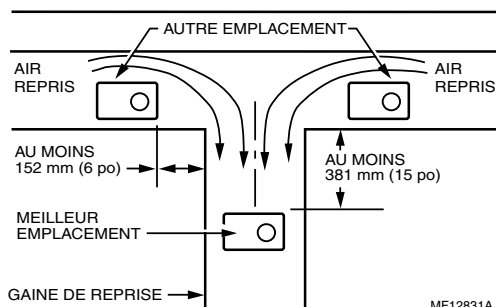


Fig. 3. Choix de l'endroit où installer l'humidistat dans la gaine.

Repérage de la prise électrique 120 V la plus près

- Choisir un endroit près d'une prise. S'il n'y a pas de prise, en faire installer une par un électricien.
- S'assurer que les 6,1 m (20 pi) du fil du thermostat sont suffisants pour relier l'humidificateur à l'humidistat et l'humidificateur au transformateur. Noter que le fil du thermostat devra être coupé en deux longueurs correctes. Consulter la rubrique « Câblage » de la page 14 pour plus d'informations.

INSTALLATION

1. Couper l'alimentation du système de conditionnement de l'air dans le tableau à disjoncteurs.
2. Tracer une ligne à niveau sur le plénum à l'emplacement sélectionné.

IMPORTANT

Pour assurer une performance optimale de l'appareil, s'assurer que le gabarit est bien à niveau avant de marquer l'emplacement. Il est recommandé d'utiliser un niveau de petite taille.

3. Prendre le gabarit dans la boîte (pièce 69-2710 incluse dans la boîte). Dans le cas du modèle HE240, découper le gabarit suivant la ligne pointillée.
4. Fixer le gabarit avec du ruban adhésif et en tracer le contour.
5. Enlever le gabarit et couper avec soin une ouverture rectangulaire en utilisant des cisailles à tôle.
6. Démonter l'humidificateur, enlever le couvercle et retirer l'ensemble écran évaporateur.

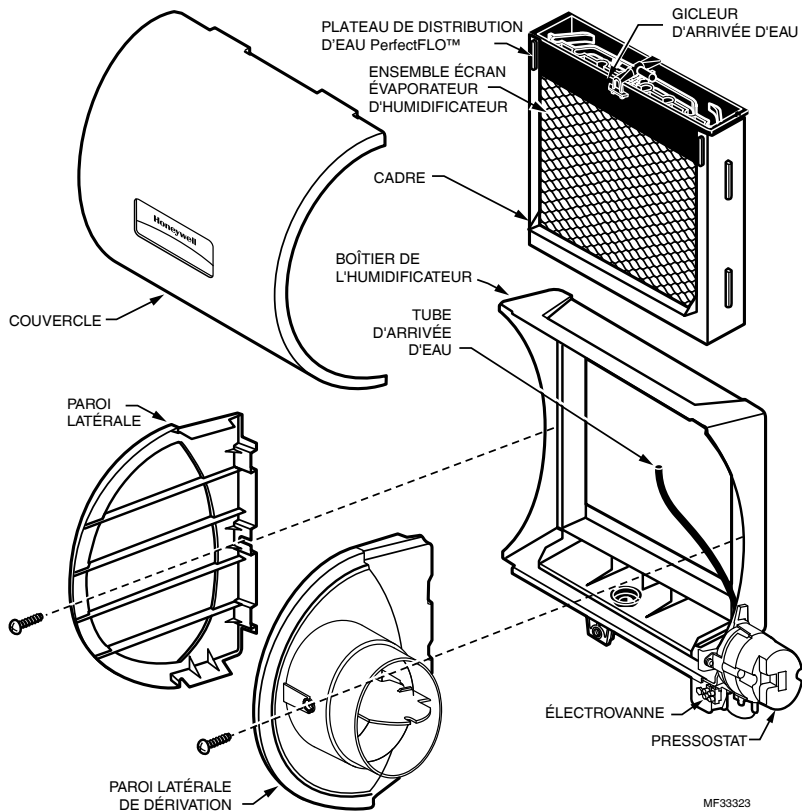


Fig. 4. Démontage de l'humidificateur.

7. S'assurer que le boîtier de l'humidificateur est de niveau, puis le placer de manière que les attaches de plastique soient sur l'arête de la tôle inférieure de l'ouverture. S'il y a lieu, aplatir les bords à l'aide de pinces. Voir la Fig. 5.
8. Fixer le boîtier de l'humidificateur dans la partie supérieure et la partie inférieure de l'ouverture à l'aide de vis à tôle.
9. Utiliser le collet de départ de 155 mm (6 po) comme gabarit pour marquer l'ouverture de la dérivation. Le collet de départ peut être identifié grâce à ses languettes en métal pliables.



Fig. 5. Installation de l'humidificateur sur une gaine

10. Couper avec soin l'ouverture pour l'extrémité du collet de départ de 155 mm (6 po) de la gaine flexible de 1,22 m (48 po). Voir la Fig. 6. Utiliser une perceuse pour amorcer la coupe au milieu du cercle. Couper en formant une spirale vers l'extérieur pour favoriser une coupe contrôlée.

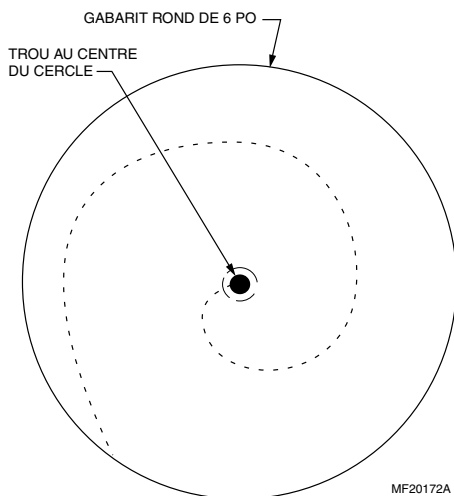


Fig. 6. Découpe de l'ouverture de la dérivation.

11. Réassembler les plaques latérales de l'humidificateur pour adapter l'orientation en fonction de l'installation spécifique. La plaque latérale avec le port pour l'humidificateur doit être située du côté de l'humidificateur le plus proche de la découpe de 155 mm (6 po) de l'étape 10.
12. Insérer la gaine flexible avec le collet de départ dans le trou de 155 mm (6 po) coupé à l'étape 10. Passer dans le trou PAR LA GAINÉ FLEXIBLE de sorte que les languettes en métal flexible puissent être courbées vers l'extérieur dans le trou. Une fois courbées vers l'extérieur, ces languettes permettent de maintenir la gaine flexible dans le système de gaines de la maison.
13. Faire glisser l'extrémité libre de la gaine flexible sur le port de l'humidificateur du HE2410/HE280, en veillant à ce que la gaine flexible dépasse des languettes en plastique saillantes sur le trou. Ces languettes permettent de maintenir la gaine flexible en place. Vérifier que la lame du registre a suffisamment de place pour bouger en avant et en arrière entre les positions d'été et d'hiver. Fixer la gaine flexible en place avec la bride de connecteur en plastique.

14. Sceller les connexions de gaine avec le ruban métallique.

Sceller

1) la connexion entre l'extrémité du collet de départ sur la gaine flexible et le système de gaines de la maison et

2) l'extrémité de la gaine flexible vers l'humidificateur sur la partie supérieure de la bride de connecteur.

15. Remettre l'ensemble écran évaporateur dans le boîtier de l'humidificateur.

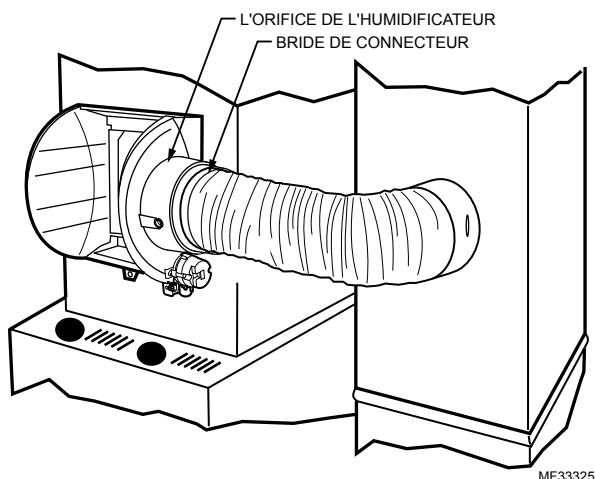


Fig. 7. Raccordement de la gaine de dérivation.

16. Remettre le couvercle dans les fentes et le fixer au moyen de la vis à oreilles au bas du couvercle.

Raccordement des tuyaux

L'humidificateur fonctionne avec de l'eau chaude ou de l'eau froide et avec de l'eau dure ou de l'eau douce.

REMARQUE : L'utilisation d'eau chaude augmente les coûts de fonctionnement, mais peut aussi augmenter légèrement la quantité d'humidité délivrée.

IMPORTANT

Consulter le code de plomberie local pour connaître la réglementation adéquate avant de commencer. L'utilisation d'un robinet de coupure manuel peut être requise pour la conformité au code applicable.

1. Fermer le robinet d'arrêt.
2. Utiliser le robinet-vanne autopercuteur (inclus) pour percer le tuyau d'arrivée d'eau au bon endroit. Tourner la poignée en haut du robinet-vanne à droite (sens horaire) jusqu'à ce que le pointeau perce le tuyau d'arrivée d'eau. Laisser le pointeau dans cette position jusqu'à ce que l'humidificateur soit complètement installé pour éviter les fuites (bien que l'arrivée d'eau soit coupée, il peut y avoir de l'eau dans le tuyau qui s'écoulera dès que le pointeau est retiré). Voir la Fig. 8. Pour percer dans la conduite galvanisée, vider la conduite et percer un orifice de 3/16 po pour le robinet-vanne.

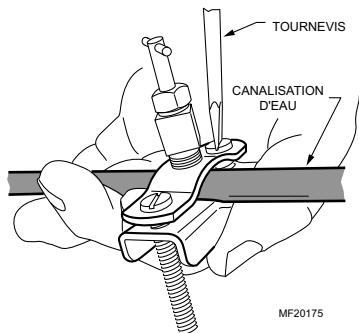


Fig. 8. Installation du robinet-vanne à étrier.

REMARQUE : Le robinet-vanne à étrier ne doit pas servir de régulateur de débit d'eau. Le robinet-vanne doit être soit ouvert soit fermé.

IMPORTANT

Pour éviter que des débris ne bloquent le filtre sur la canalisation de l'électrovanne, il est important d'installer la poignée du robinet-vanne à étrier de sorte qu'elle pointe vers le plafond.

3. Utiliser un tuyau de 6 mm (1/4 po) de diam. ext. pour raccorder le robinet-vanne à étrier à l'entrée de l'électrovanne sur l'humidificateur. (Voir la Fig. 9).
 - a. Placer l'écrou à compression en laiton sur le tuyau.
 - b. Glisser l'anneau de compression en plastique sur le tuyau. (Mettre de côté l'anneau de compression en cuivre fourni avec le robinet.)
 - c. Placer la garniture en laiton à l'extrémité du tuyau.

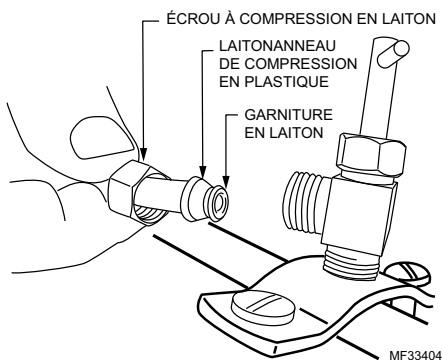
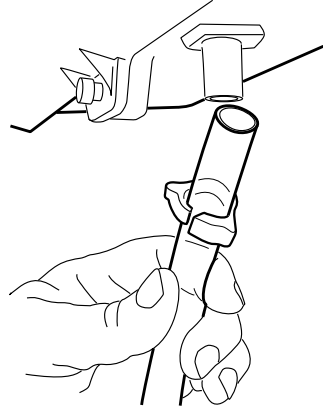


Fig. 9. Installation du tube d'alimentation.

REMARQUE : Pour éviter les fuites, utiliser des bagues de compression (Delrin) en plastique avec les tubes en plastique. Utiliser des bagues de manchon en cuivre uniquement avec les tubes en cuivre.

- d. Insérer le tube dans le raccord du robinet-vanne et soutenir la vanne tout en serrant l'écrou de compression.
 - e. Insérer le tube d'arrivée en plastique dans le raccord rapide. L'insérer entièrement et tirer légèrement dessus pour s'assurer qu'il est bien inséré.
4. Suivre les étapes suivantes pour installer un tube de vidange de 13 mm (1/2 po) entre l'humidificateur et le drain de plancher (voir Fig. 10).
- a. Glisser la bride du tuyau de vidange sur le tuyau.
 - b. Passer le tuyau par-dessus le raccord fileté du tuyau de vidange de l'humidificateur.
 - c. Serrer manuellement la bride sur le tuyau pour bien le fixer le drain de l'humidificateur. Le collier se serre en comprimant les deux côtés de sorte qu'un côté s'insère dans la rainure cannelée de l'autre côté.
 - d. Attacher le tube (avec du ruban métallique) sur tout le long pour éviter le déplacement et fournir une pente descendante pour garantir une bonne évacuation.



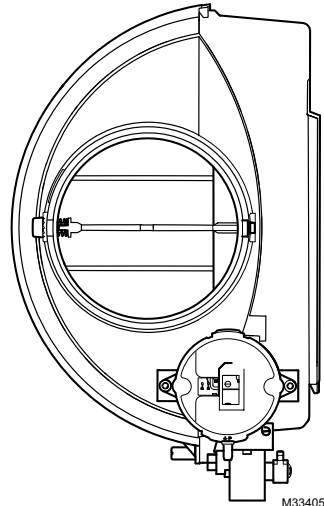
M20177

Fig. 10. Installation du tuyau de vidange.

REMARQUE : Couper le tuyau à la longueur nécessaire pour qu'il atteigne le drain.

Connexion du pressostat

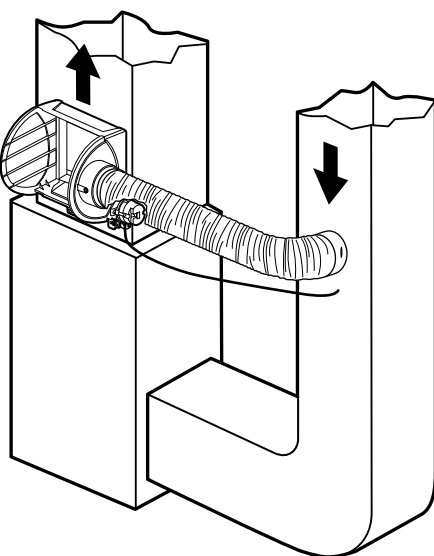
1. Si l'humidificateur est installé dans la gaine d'arrivée (selon les recommandations), le pressostat doit avoir le tube inséré dans la gaine de retour. Si l'humidificateur est installé dans la gaine de retour, le pressostat doit avoir le tube inséré dans la gaine d'arrivée.
2. Percer un trou de 19 mm (3/4 po) de diamètre dans la gaine de 3 m (10 pi) du pressostat pour s'assurer que le tube fournit atteint le coude de la prise de pression.



M33405

Fig. 11. Pressostat.

3. Insérer le passe-fil en caoutchouc noir dans le trou de la gaine.
4. Connecter le tube au coude du raccord du tube et insérer le coude du raccord du tube dans le passe-fil en caoutchouc noir.
5. Connecter l'autre bout du tuyau à la connexion à pression appropriée du pressostat.
 - e. Si l'humidificateur est installé dans la gaine d'arrivée (conformément aux recommandations), le tube qui s'insère dans l'humidificateur doit être attaché au port noir, et le tube qui est acheminé vers la gaine de retour doit être attaché au port gris.
 - f. Si l'humidificateur est installé dans la gaine de retour, le tube qui s'insère dans l'humidificateur doit être attaché au port gris, et le tube qui est acheminé vers la gaine d'arrivée doit être attaché au port noir.



M33326

Fig. 12. Installation du tube du pressostat.

6. On peut couper le tuyau afin de l'ajuster à la distance comprise entre le coude et le pressostat. Il est également recommandé de fixer le tuyau à une structure adjacente afin d'éviter un débranchement accidentel.

Installation de l'humidistat

1. Trouver le gabarit de montage inclus dans la notice d'installation de l'humidistat H8908.
2. Appliquer le gabarit sur la gaine de retour (voir Fig. 3 page 6). S'assurer que le gabarit est de niveau avant de percer les trous. (Il est recommandé d'utiliser un niveau de petite taille.)
3. Retirer le support de base du H8908.
4. Faire glisser le joint en mousse sur la base. (Voir la Fig. 14.)
5. Placer le support de base sur la gaine avec la flèche vers le haut.
6. Fixer le support de base à la gaine à l'aide des quatre vis de montage de 25 mm (1 po) fournies avec l'humidistat. (Voir la Fig. 15.)

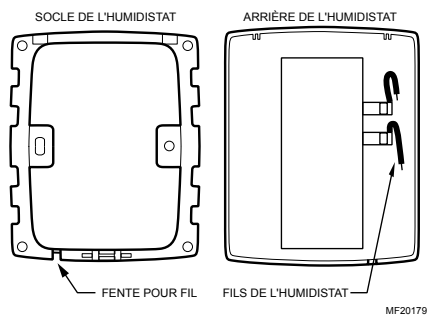


Fig. 13. Base de l'humidistat et vue arrière.

7. Brancher les fils basse tension aux fils et remplacer le boîtier du H8908. Voir la Fig. 16.

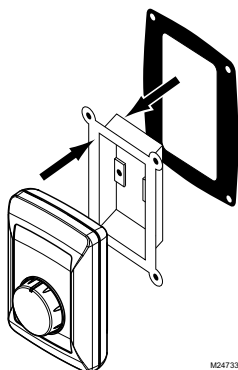


Fig. 14. Faire glisser le joint en mousse sur la base.

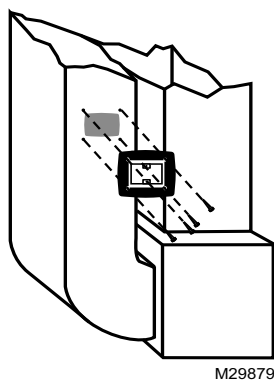


Fig. 15. Fixer le support de base à la gaine.

REMARQUE : Pour une installation au mur, consulter les instructions d'installation du H8908.

CÂBLAGE

! MISE EN GARDE

Risque de choc électrique.

Peut causer des blessures ou des dommages matériels.

Couper l'alimentation électrique avant de faire l'installation ou l'entretien.

IMPORTANT

Tout le câblage doit être conforme aux codes et règlements locaux.

Câbler l'électrovanne de l'humidificateur, l'humidistat et le transformateur. Voir la Fig. 16.

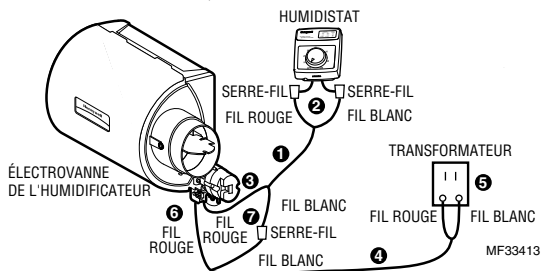


Fig. 16. Câblage des commandes et du HE240.

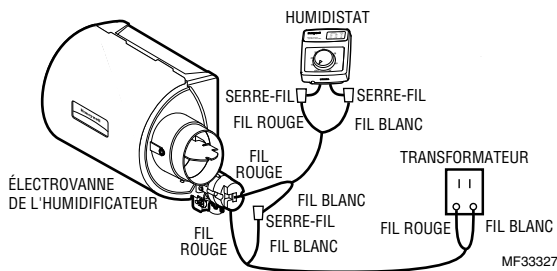


Fig. 17. Câblage des commandes et du HE280.

1. Déterminer la longueur du fil requise pour l'acheminement entre l'humidificateur et l'humidistat. Couper à la longueur requise et dénuder les extrémités selon le besoin.
2. Brancher les fils rouge et blanc aux fils de l'humidistat conformément au schéma de câblage. Utiliser les serre-fils fournis pour sécuriser les connexions.
3. Prendre l'extrémité opposée du fil et brancher le FIL ROUGE à une borne de l'humidificateur. Ne pas attacher le fil blanc à ce stade.
4. En utilisant le fil restant, déterminer la longueur requise pour l'acheminement entre l'humidificateur et le transformateur. Couper à la longueur requise et dénuder les extrémités selon le besoin.
5. Débrancher le transformateur. Brancher les fils rouge et blanc au transformateur en desserrant les vis sur le transformateur, enrouler le fils autour du montant de vis et resserrer les vis.
6. Prendre l'extrémité opposée du fil et brancher le FIL ROUGE à la borne ouverte restante de l'humidificateur.
7. Brancher les deux fils blancs restants ensemble avec le serre-fil fourni.

VÉRIFICATION DU FONCTIONNEMENT DE L'HUMIDIFICATEUR

Liste de contrôle

- L'humidificateur est de niveau.
- Le câblage des commandes a été vérifié à l'aide du schéma de circuit.
- L'humidificateur est branché.
- Le tuyau d'arrivée n'est pas pincé.
- Le tuyau de vidange présente une pente continue vers le bas et se rend au drain de plancher.
- Le tuyau d'eau à l'intérieur de l'humidificateur est raccordé au plateau de distribution d'eau PerfectFLO™.
- Le tube du pressostat n'est ni plié ni pincé.

Après l'installation, vérifier le fonctionnement de l'humidificateur en suivant les étapes ci-dessous :

1. Mettre en marche l'humidificateur et ouvrir l'arrivée d'eau.
2. S'assurer que le robinet-vanne est complètement ouvert avec la poignée tournée à gauche (sens antihoraire) jusqu'à sentir une résistance.
3. Régler l'humidistat H8908 à ON et régler le thermostat pour qu'il indique 6 °C (10 °F) de plus que la température de la pièce.

IMPORTANT

Le ventilateur de l'appareil de chauffage doit être en marche pour que l'humidificateur fonctionne.

4. S'assurer que l'eau s'écoule du tuyau de vidange. Dans le cas contraire, se reporter à la section Dépannage de l'humidificateur.
5. Vérifier s'il y a des fuites.
6. Régler de nouveau le thermostat et l'humidistat H8908 à une température de confort pour les faire fonctionner automatiquement. (Une humidité relative de 35 % est recommandée.)

FONCTIONNEMENT

Réglage de l'humidificateur

L'humidistat H8908 commande l'humidificateur.

- Régler l'humidistat à l'aide de l'échelle combinée d'humidité relative et de température extérieure.
- Régler le cadran en fonction de la température extérieure afin d'optimiser le niveau d'humidité et d'éliminer la condensation dans les fenêtres. Consulter le Tableau 2 pour sélectionner le réglage recommandé.

REMARQUE : Lorsque la température extérieure baisse, le réglage recommandé doit être abaissé de manière à tenir compte du point de rosée. Les réglages recommandés devraient permettre de réduire l'accumulation d'humidité et de glace dans les fenêtres et ailleurs dans la maison.

- Le réglage de l'humidificateur doit être fait en fonction des activités à l'intérieur, notamment la cuisson, les douches et le séchage des vêtements. Ces activités peuvent produire une humidité excessive et être la cause de l'accumulation d'humidité dans les fenêtres.

REMARQUE : Si ces conditions durent plusieurs heures, régler l'humidistat à la valeur la plus basse pour arrêter l'humidificateur. S'il n'y a aucun changement, il faudrait ventiler la maison pour faire disparaître l'humidité.

Tableau 2. Réglage de l'humidistat.

Température extérieure	Réglage recommandé
-29 °C (-20 °F)	15
-23 °C (-10 °F)	20
-18 °C (0 °F)	25
-12 °C (+10 °F)	30
-7 °C (+20 °F)	35
Supérieure à -7 °C (20 °F)	40

ENTRETIEN DE L'HUMIDIFICATEUR

Un programme d'entretien à intervalles réguliers prolonge la durée de l'humidificateur et assure un meilleur confort. La fréquence de nettoyage varie selon la qualité de l'eau.

L'humidificateur peut fonctionner avec de l'eau dure ou de l'eau douce. Toutefois, les dépôts de sédiments d'eau dure sont plus difficiles à enlever que ceux d'eau douce.

Pour nettoyer l'humidificateur Honeywell, suivre les étapes suivantes.

IMPORTANT

Ne jamais lubrifier les pièces de l'humidificateur.

Une fois par an, en fonction de la qualité de l'eau

(au début ou à la fin de la saison d'humidification)

1. Débrancher l'alimentation en débranchant le transformateur de la prise et couper l'arrivée d'eau à l'humidificateur en tournant la poignée à droite (sens horaire) jusqu'à ce que l'eau arrête de couler et/ou qu'une résistance se fasse sentir.
2. Enlever le couvercle de l'humidificateur. Voir la Fig. 18 page 17.
3. Enlever l'ensemble écran évaporateur en tenant la partie supérieure du plateau et en le tirant vers soi.
4. Tirer vers soi un côté du cadre de l'ensemble écran évaporateur pour dégager le plateau du cadre.
5. Pincer délicatement les pattes de la buse d'eau (une paire de pattes est située de part et d'autre du plateau de distribution d'eau PerfectFLO™) vers l'intérieur jusqu'à ce que la buse d'eau puisse être relevée du plateau.

6. Glisser l'écran évaporateur de l'humidificateur hors du cadre et jeter l'écran évaporateur. Honeywell recommande de remplacer l'écran évaporateur de l'humidificateur une fois par an. Toutefois, si l'eau est dure, il peut être nécessaire de remplacer l'écran évaporateur plus souvent.
7. Gratter soigneusement les dépôts de sédiments au fond du plateau et sur le cadre. S'assurer que l'orifice de vidange n'est pas bloqué.
8. Séparer le tuyau de vidange du raccord de vidange à la partie inférieure du boîtier de l'humidificateur.
9. Nettoyer le raccord de vidange s'il y a lieu.
10. Plier le tuyau de vidange pour décoller les dépôts de sédiments.
11. Rincer le tuyau de vidange avec de l'eau sous pression (eau du robinet) pour le nettoyer.
12. Replacer le tuyau de vidange sur le raccord de vidange.
13. Glisser un tampon d'humidificateur Honeywell neuf dans le cadre.
14. Replacer le gicleur sur le plateau.
15. Remettre le plateau sur le cadre.
16. Mettre l'ensemble écran évaporateur d'humidificateur dans le boîtier de l'humidificateur en appuyant jusqu'à ce qu'il soit bien en place. S'assurer que le tuyau d'arrivée d'eau n'est ni écrasé ni plié.
17. Remettre le couvercle sur l'humidificateur.
18. Pour vérifier le fonctionnement de l'humidificateur, se reporter à la section Vérification du fonctionnement de l'humidificateur.

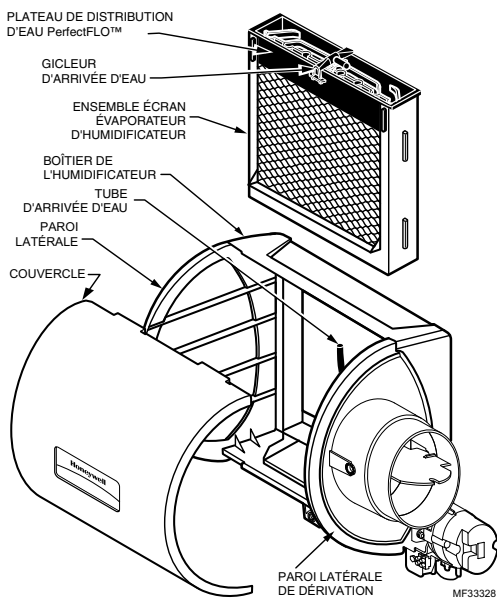


Fig. 18. Nettoyage de l'humidificateur.

Fin de la saison d'humidification

- Nettoyer l'humidificateur et l'éteindre à la fin de la session de chauffage.
- Couper l'eau au niveau du robinet-vanne en tournant la poignée à droite (sens horaire) jusqu'à ce que l'eau arrête de couler et/ou qu'une résistance se fasse sentir.
- Débrancher l'humidificateur au niveau de la prise murale.
- Mettre la lame du registre en position « été » (Summer).

IMPORTANT

S'assurer que l'appareil est en position arrêt.

Écrans évaporateurs d'humidificateur de rechange

Honeywell recommande de remplacer l'écran évaporateur de l'humidificateur une fois par an. Toutefois, si l'eau est dure, l'écran évaporateur peut nécessiter d'être remplacé plus fréquemment en raison de l'accumulation de minéraux diminuant sa capacité à fonctionner normalement. Si possible, il est recommandé d'utiliser de l'eau adoucie en utilisant un adoucisseur d'eau.

Tableau 3. Références de l'écran évaporateur de rechange.

Modèle de l'humidificateur	Tampon de rechange
HE240	HC22P
HE280	HC26P

Vacances

- Au moment de partir en vacances, fermer l'arrivée d'eau de l'humidificateur et mettre l'humidistat en position arrêt.
- Au retour, ouvrir l'arrivée d'eau de l'humidificateur et régler l'humidistat.

Début de la saison d'humidification

Utiliser les étapes suivantes pour ramener l'humidificateur au fonctionnement normal (hiver) :

1. Tourner la lame du registre en position « hiver » (winter)
2. Rebrancher le transformateur dans la prise murale et rétablir l'arrivée d'eau à l'humidificateur en tournant la poignée du robinet-vanne à gauche (sens antihoraire) jusqu'à sentir une résistance.
3. Régler l'humidistat à la valeur la plus élevée et régler le thermostat pour qu'il indique 6 °C (10 °F) de plus que la température de la pièce.
4. Vérifier si l'eau circule dans le tuyau de vidange.

REMARQUE : Le ventilateur de l'appareil de chauffage doit être en marche pour que l'humidificateur fonctionne.

5. Régler le thermostat et l'humidistat pour qu'ils fonctionnent automatiquement et assurent une température de confort. (Une humidité relative de 35 % est recommandée.)

DÉPANNAGE DE L'HUMIDIFICATEUR

Tableau 4. Dépannage de l'humidificateur.

Problème	Ce qu'il faut vérifier	Ce qu'il faut faire
Fuite d'eau	Joint qui fuit	Couper l'alimentation d'eau Resserrer les raccords.
	Garnitures de tuyau en laiton	Vérifier si les garnitures utilisées sont bien en laiton.
	Fuite du robinet-vanne à étrier	Vérifier si l'écran évaporateur en caoutchouc est installé sur le robinet-vanne à étrier.

Tableau 4. Dépannage de l'humidificateur. (Continued)

L'eau ne s'écoule pas vers le drain	Électricité	Vérifier le câblage du circuit de commande. Vérifier toutes les connexions.
	Humidistat	Abaisser et augmenter le réglage de l'humidistat et vérifier s'il se produit un bruit de contact.
	Alimentation de l'humidistat	Vérifier si la prise est sous tension.
	Électrovanne	Vérifier les autres éléments de câblage, puis mettre en marche le ventilateur de l'appareil de chauffage, abaisser et augmenter le réglage de l'humidistat et vérifier s'il y a un déclic de l'électrovanne.
	Tuyauterie	Vérifier les raccords des tuyaux. Vérifier si les tuyaux sont pincés.
	Robinet-vanne à étrier	Vérifier si le pointeau perce la ligne d'eau et revient en position pour ouvrir le robinet-vanne.
	Humidificateur	Enlever le couvercle et vérifier si l'eau s'écoule dans le plateau de distribution.
	Tuyau de vidange	Vérifier s'il y a un blocage.
Fuite d'air	Vérifier les joints des gaines.	Sceller avec du ruban adhésif.
Faible humidité	Le ventilateur de l'appareil de chauffage ne fonctionne pas.	<ul style="list-style-type: none"> • Réenclencher le disjoncteur ou vérifier si le fusible est bon. • Vérifier si l'appareil de chauffage est sous tension. • Vérifier les connexions externes. • Vérifier le réglage de l'humidistat. • Vérifier si le tube du pressostat est plié ou pincé. • Appeler un entrepreneur en chauffage.
	Le renouvellement d'air est rapide (courant d'air : l'air froid est sec et représente une charge supplémentaire pour l'humidificateur).	<ul style="list-style-type: none"> • Garder les portes et les fenêtres fermées. • Fermer le registre de la cheminée (foyer) lorsque celle-ci n'est pas utilisée. • Faire fonctionner le ventilateur d'extraction pendant une période minimum. • Rendre les portes et les ouvertures étanches.
	Registre en position « été »	<ul style="list-style-type: none"> • Régler la lame du registre en position « hiver » pour permettre l'humidification.
Humidité élevée	Condensation sur les murs.	<ul style="list-style-type: none"> • Arrêter l'humidistat et fermer l'arrivée d'eau jusqu'à ce que la condensation disparaisse complètement.
	Forte condensation dans les fenêtres.	<ul style="list-style-type: none"> • Abaisser suffisamment le réglage de l'humidistat pour éliminer la condensation causée par les bains, le lavage des planchers, la cuisson, etc. Si la condensation persiste, il faut augmenter la ventilation.

GARANTIE LIMITÉE DE UN AN

Honeywell garantit que ce produit, à l'exception de l'écran évaporateur de l'humidificateur, est exempt de tout vice de fabrication ou de matière dans la mesure où il en est fait une utilisation et un entretien convenables et ce, pour une période de un an à partir de la première date d'achat par le consommateur. En cas de défectuosité ou de mauvais fonctionnement pendant la période de garantie, Honeywell réparera ou remplacera ledit produit (au choix de Honeywell) dans un délai raisonnable.

Si le produit est défectueux, le consommateur doit le retourner au magasin où il a été acheté, en y joignant la facture ou une preuve d'achat.

La présente garantie ne couvre pas les frais d'installation et de retrait de ce produit. La présente garantie ne s'appliquera pas s'il est démontré par Honeywell que la défectuosité ou le mauvais fonctionnement du produit est attribuable à un endommagement du produit alors que le consommateur l'avait en sa possession.

La responsabilité exclusive de Honeywell se limite à réparer ou à remplacer le produit conformément aux modalités susmentionnées. HONEYWELL N'EST EN AUCUN CAS RESPONSABLE DES PERTES OU DOMMAGES, Y COMPRIS LES DOMMAGES INDIRECTS OU ACCESSOIRES DÉCOULANT DIRECTEMENT OU INDIRECTEMENT D'UNE VIOLATION QUELCONQUE D'UNE GARANTIE, EXPRESSE OU TACITE, APPLICABLE AU PRÉSENT PRODUIT, OU TOUTE AUTRE DÉFECTUOSITÉ DU PRÉSENT PRODUIT. Certains territoires et provinces ne permettent pas l'exclusion ou la restriction des dommages indirects et, par conséquent, la présente restriction peut ne pas s'appliquer.

LA PRÉSENTE GARANTIE TIENT LIEU DE TOUTES LES AUTRES GARANTIES, EXPRESSES OU TACITES, ET LES GARANTIES DE VALEUR MARCHANDE ET DE CONFORMITÉ À UNE FIN PARTICULIÈRE SONT PAR LES PRÉSENTES EXCLUES APRÈS LA PÉRIODE DE UN AN DE LA PRÉSENTE GARANTIE. Certains territoires et provinces ne permettent pas l'exclusion ou la restriction des dommages indirects et, par conséquent, la présente restriction peut ne pas s'appliquer.

La présente garantie donne au consommateur des droits légaux spécifiques et peut-être certains autres droits qui peuvent varier selon la province ou le territoire.

Pour tout renseignement concernant cette garantie, veuillez écrire à Honeywell Customer Care, 1985 Douglas Drive, Minneapolis, MN55422.

Solutions de régulation et d'automatisation

Honeywell International Inc.

1985 Douglas Drive North

Golden Valley, MN 55422

customer.honeywell.com

Honeywell

® Marque de commerce déposée aux États-Unis

© 2012 Honeywell International Inc.

Tous droits réservés

69-2686EF—01 M.S. 03-12

Imprimé aux États-Unis