



RF

75-300mm F4-5.6

Instructions

Safety Precautions	2
General Precautions.....	3
Nomenclature	6
1. Attaching and Detaching the Lens	7
2. Setting the Focus Mode	8
3. Zooming	9
4. Hood (Sold separately)	10
5. Filters (Sold separately)	12
Specifications	13




Thank you for purchasing a Canon product.


Canon RF75-300mm F4-5.6 is a telephoto zoom lens for use with EOS R series cameras.

Camera Firmware

Please use the latest version of firmware with the camera in use. For details on whether the firmware is the latest version or not, and for details on updating the firmware, please check the Canon website.

Conventions used in these instructions

 Warning to prevent lens or camera malfunction or damage.

 Supplementary notes on using the lens and taking pictures.

Safety Precautions

Precautions to ensure that the camera is used safely. Read these precautions thoroughly. Make sure all details are observed in order to prevent risks and injury to the user and other people.



Warning

Details pertaining to risks that may result in death or serious injury.

- **Do not look directly at the sun or other strong light sources through a lens.** This may result in loss of sight.
- **Do not leave a lens in the sun without the lens cap attached.** The lens may concentrate entering sunlight and cause a malfunction or fire.



Caution

Details pertaining to risks that may result in injury or damage to other objects.

- **Do not leave the product in places exposed to extremely high or low temperatures.** The product may cause burns or injury when touched.
- **Do not insert your hand or fingers into the product.** This may result in injury.


General Precautions

Handling Precautions

- Do not leave the product in excessive heat such as in a car in direct sunlight. High temperatures can cause the product to malfunction.
- If the lens is taken from a cold environment into a warm one, condensation may develop on the lens surface and internal parts. To prevent condensation in this case, first put the lens into an airtight plastic bag before taking it from a cold to warm environment. Then take out the lens after it has warmed gradually. Do the same when taking the lens from a warm environment into a cold one.
- Please also read any lens related handling precautions listed in your camera's instruction manual.

General Precautions

Shooting Precautions

- When this lens is attached, the following settings cannot be specified on the camera.
 - Display simulation [Exposure+DOF]
 - Focus Distance disp.
 - Distortion Correction during movie recording
 - Av 1/8-stop incr. during movie recording
 - Automatic Aperture when attached to a CINEMA EOS camera
- The following settings can be specified on the camera, but do not work with this lens.
 - Lens electronic MF
 - Focus ring rotation
 - RF lens MF focus ring sensitivity
 - Focus Preset
 - Control ring direction to set Tv/Av
 - Object Distance (Bar), Object Distance (Numeric) display when attached to a CINEMA EOS camera
- The following settings can be specified on the camera, but some settings may not work with this lens.
 - Retract lens on power off (This function does not work when the focus mode switch is set to MF)
- On some cameras, [Correction data not available] or  may be displayed by [Digital Lens Optimizer]. In that instance, use EOS Utility to add the lens correction data to the camera. For details, refer to the EOS Utility Instruction Manual.

This device complies with Part 15 of the FCC Rules. Operation is subject to the following two conditions: (1) This device may not cause harmful interference, and (2) this device must accept any interference received, including interference that may cause undesired operation.

Do not make any changes or modifications to the equipment unless otherwise specified in the instructions. If such changes or modifications should be made, you could be required to stop operation of the equipment.

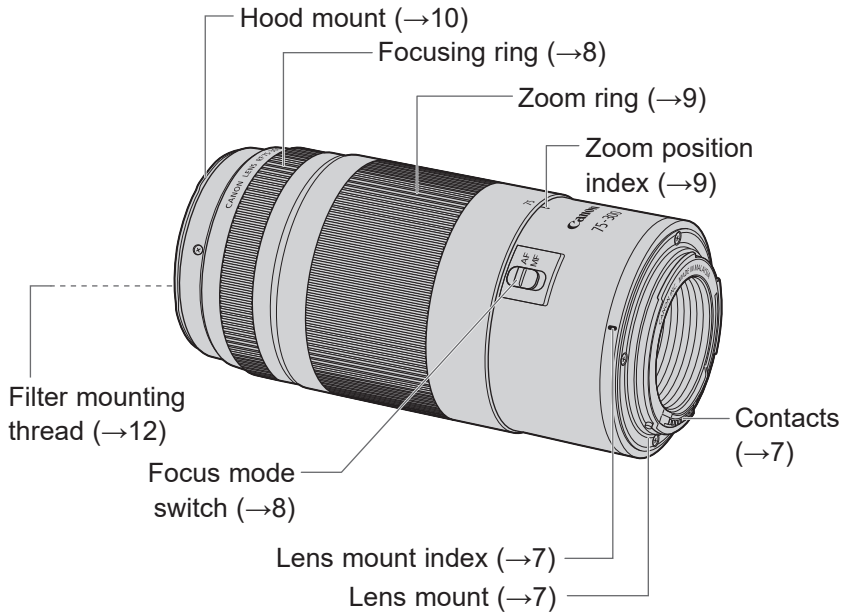
This equipment has been tested and found to comply with the limits for a class B digital device, pursuant to part 15 of the FCC Rules. These limits are designed to provide reasonable protection against harmful interference in a residential installation. This equipment generates, uses and can radiate radio frequency energy and, if not installed and used in accordance with the instructions, may cause harmful interference to radio communications.

However, there is no guarantee that interference will not occur in a particular installation. If this equipment does cause harmful interference to radio or television reception, which can be determined by turning the equipment off and on, the user is encouraged to try to correct the interference by one or more of the following measures:

- Reorient or relocate the receiving antenna.
- Increase the separation between the equipment and receiver.
- Connect the equipment into an outlet on a circuit different from that to which the receiver is connected.
- Consult the dealer or an experienced radio/TV technician for help.

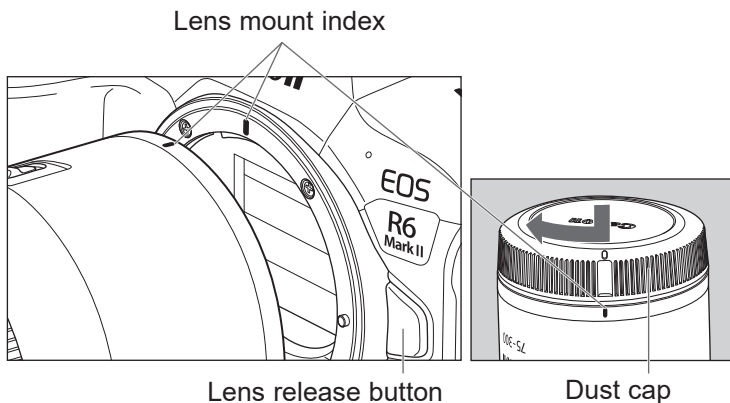
CAN ICES-3 (B) / NMB-3 (B)

Nomenclature



- For detailed information, reference page numbers are provided in parentheses (→ **).

1. Attaching and Detaching the Lens



Attaching the Lens

Align the lens mount indexes of the lens and camera, and turn the lens clockwise until you hear a click.

Detaching the Lens

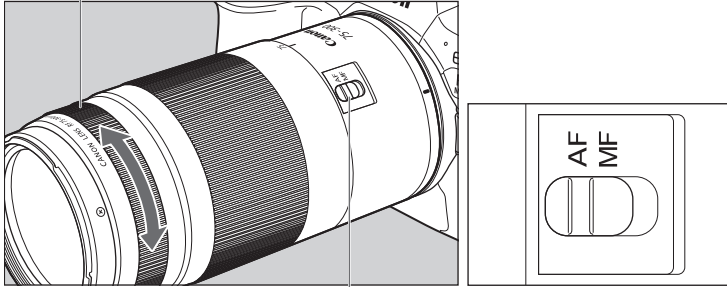
Turn the lens counterclockwise while pressing the camera's lens release button. Detach the lens once it has stopped turning.

Please refer to the camera's instructions for details.

- Set the camera's power switch to OFF when attaching or detaching the lens.
- Attach the lens cap before detaching the lens from the camera.
- After detaching the lens, place the lens with the rear end up and attach the dust cap to prevent the lens surface and contacts from getting scratched. Make sure the lens and dust cap mount indexes are aligned when attaching the dust cap.
- Contacts that are scratched, soiled, or have fingerprints on them may result in faulty connections or corrosion, which may lead to malfunctions. If the contacts get soiled, clean them with a soft cloth.

2. Setting the Focus Mode

Focusing ring

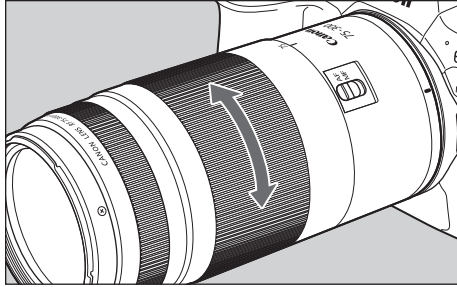


Focus mode switch

To shoot in autofocus (AF) mode, set the focus mode switch to AF. To use only manual focusing (MF), set the focus mode switch to MF, and focus by turning the focusing ring.

- During AF operation, do not touch the rotating parts of the lens.
- When the focus mode switch is set to AF, the lens cannot be focused manually.

3. Zooming



To zoom, turn the zoom ring.



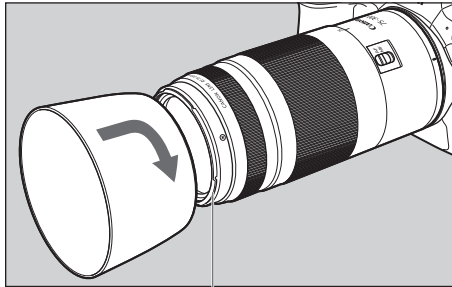
- Be sure to finish zooming before focusing. Zooming after focusing can affect the focus.
- Please be careful not to let your fingers get caught in between the lens portion that extends and the lens body when zooming.

4. Hood (Sold separately)

The custom lens hood reduces unwanted light that causes flare and ghosting and protects the front of the lens from rain, snow, and dust.

Attaching the Hood

Align the hood with the hood mount, and then turn the hood in the direction of the arrow while holding the focus ring to firmly attach the hood.



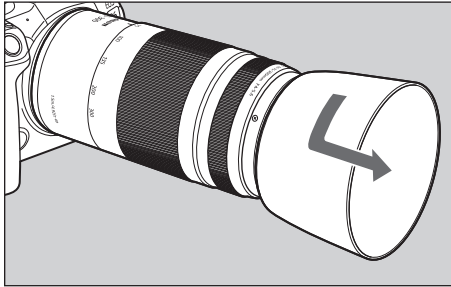
Hood mount

Hood (Sold separately)

Detaching the Hood

Rotate the hood in the direction of the arrow while holding the focus ring to remove it.

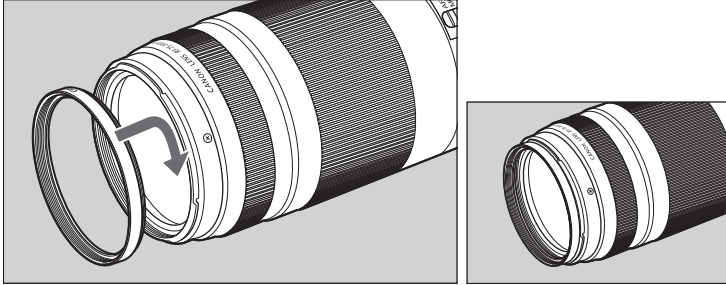
The hood can be reverse-mounted on the lens for storage.



- If the hood is not attached properly, vignetting (darkening of the perimeter of the picture) may occur.
- Grasp and turn the base of the hood when attaching and detaching it. There are cases in which it may become deformed if the hood is turned with it grasped near to the rim.

5. Filters (Sold separately)

You can attach filters (Φ58) to the filter mounting thread on the front of the lens.



- Only one filter may be attached.
- If you need a polarizing filter, use the Canon Circular Polarizing Filter PL-C B.
- Detach the hood when adjusting the polarizing filter.

Specifications

Focal Length/ Aperture	75-300mm f/4-5.6
Lens Construction	9 groups, 13 elements
Maximum Aperture	f/4-5.6
Minimum Aperture	f/32-45
Angle of View	Horizontal: 27° - 6°50, Vertical: 18°11' - 4°35', Diagonal: 32°11' - 8°15'
Min. Focusing Distance	1.5 m/4.92 ft.
Max. Magnification	0.25x (at 300 mm)
Field of View	Approx. 556 x 372mm/21.89 x 14.65 in. (at 75mm, 1.5m/4.92 ft.) Approx. 139 x 94mm/5.47 x 3.70 in. (at 300mm, 1.5m/4.92 ft.)
Filter Diameter	58 mm
Max. Diameter and Length	Approx. 71.2 x 146.1 mm/2.80 x 5.75 in.
Weight	Approx. 507 g/17.9 oz.
Hood	ET-60 (Sold separately)
Lens Cap	E-58II*
Lens Dust Cap	Lens Dust Cap RF*
Case	LP1222 (Sold separately)

* This comes included with the lens, but can also be purchased separately.

Specifications

- The lens length is measured from the lens mount surface to the front end of the lens.
Add 24.2 mm/0.95 in. when including the lens cap and dust cap.
- The maximum diameter, length and weight listed are for the lens itself only.
- You cannot use extenders.
- All data listed is measured according to Canon standards.
- Product specifications and appearance are subject to change without notice.

Canon