

VIVOHOME

**THANK
YOU!**

NOTE:

To continuously improve its products, VIVOHOME reserves the right to modify this information without prior notification.

For any questions regarding assembly, please watch the video on the product page or contact our customer service. Our customer service will gladly assist you with any additional questions, comments, or concerns.

Thank you for using VIVOHOME products in your home!

Thank You for Purchasing from

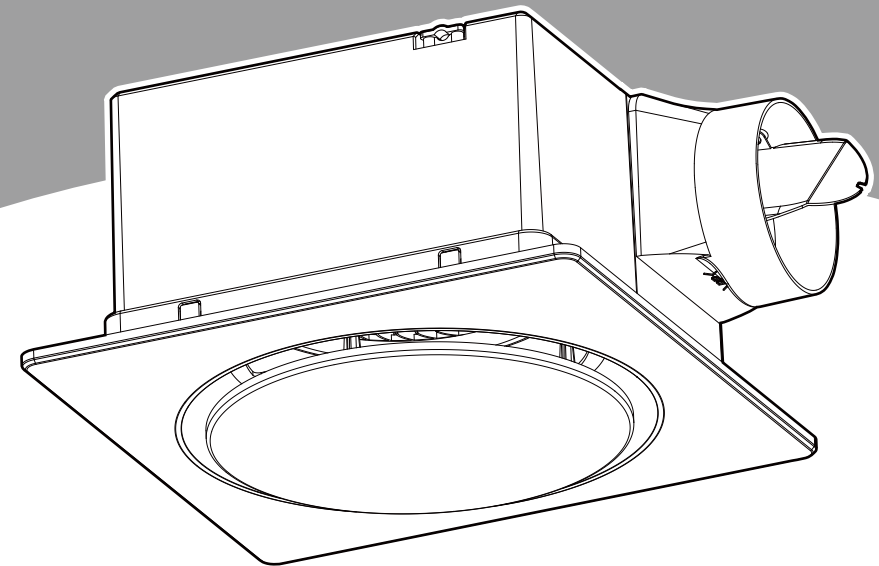
VIVOHOME

Made in China

VIVOHOME

HOW-TO

USER MANUAL



Bathroom Exhaust Fan

Assembly is EASY!

**WE WANT
YOU TO
ENJOY LIFE
AT HOME**

GO TO THE PRODUCT LISTING PAGE FOR
AN INSTRUCTIONAL VIDEO!

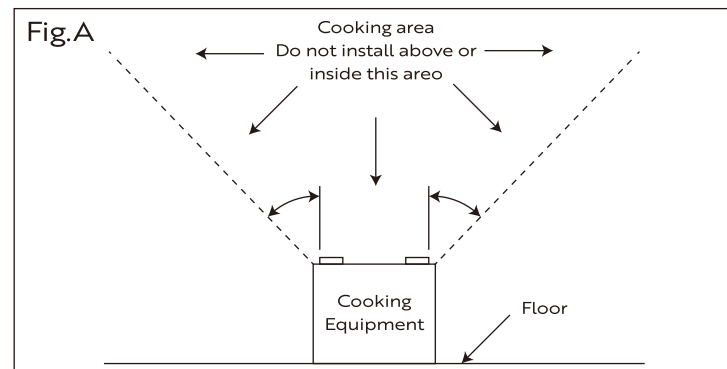
CONTENTS

Safety Information.....	1
Production Instruction	2
Wiring Diagram.....	4
Installation-Template	5
Installation-Operating Instructions	6
Ventilation Fan Operation	8
Troubleshooting	9
Cautions.....	10
Maintenance	11
Warranty	11



Please read all instructions before installation and use.

1. Ensure the power supply is 110-120V, 60Hz.
2. Do not install in areas where temperatures exceed 104°F (40°C).
3. Do not bend or damage the power cord.
4. Follow all local building and electrical codes, including NEC and OSHA regulations.
5. Disconnect power at the circuit breaker before servicing.
6. Protect all wiring from sharp edges, oil, grease, and heat sources.
7. Do not install where airflow is restricted.
8. Ensure adequate air intake for proper ventilation.
9. Approved for installation above a shower or bathtub when connected to a GFCI-protected circuit. The control switch must be located out of reach.
10. Do not use to ventilate hazardous or explosive materials.
11. Do not operate the fan with solid-state speed controls.
12. This unit is double insulated and does not require grounding.
13. Do not install in cooking areas (see Fig. A).

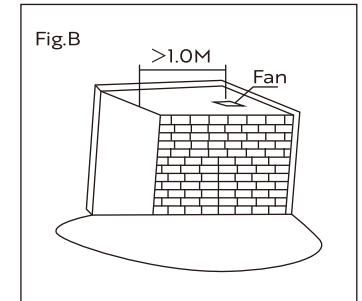


14. Exhaust air must be vented outdoors — not into wall cavities, ceilings, attics, or garages.
15. Install the fan at least 7 feet (2.1 meters) above the floor.

WARNING: To reduce the risk of fire or electric shock, follow all safety precautions and do not install the fan in prohibited zones.

16. Use only as intended by the manufacturer. Contact customer service with questions.
17. Installation must be performed by a qualified professional, following all local safety codes and fire-rated construction rules.

18. Ensure proper airflow and venting for gas-burning appliances to prevent backdrafting. Follow NFPA and ASHRAE guidelines.
19. Do not install in ceilings with insulation values greater than R40.
20. Avoid damaging hidden utilities or wiring during installation.
21. Always lock or tag the power source before servicing. If locking is not possible, use a warning tag to indicate that the power should not be turned on.
22. For over-shower or bathtub installation, ensure the product is rated for that use and installed at least 1 meter (3.3 ft) from the water source (see Fig. B). The fan should be installed on the opposite side of the tub on the ceiling. It is acceptable for use over a bathtub or shower when connected to a GFCI-protected branch circuit (refer to Fig. B).
23. Do not connect to rigid metal conduit; use flexible conduit only.
24. Keep ductwork straight and minimize bends.
25. Ductwork size must be a minimum of the discharge and should not be reduced.



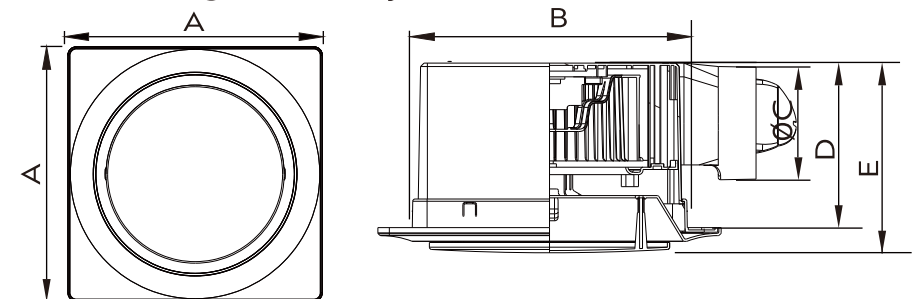
SECTION B

Production Instruction



This ceiling-mounted exhaust fan provides ventilation for moisture and odors in residential and commercial bathrooms. Features include:

- Easy installation
- High airflow capacity
- Quiet operation
- Suitable for use in homes, offices, hotels, and restaurants
- Can be used alongside HVAC systems



Unit: Inch

Size	A	B	ØC	D	E
12"	11.8x11.8	10.2x10.2	Ø4	5.7	6.5

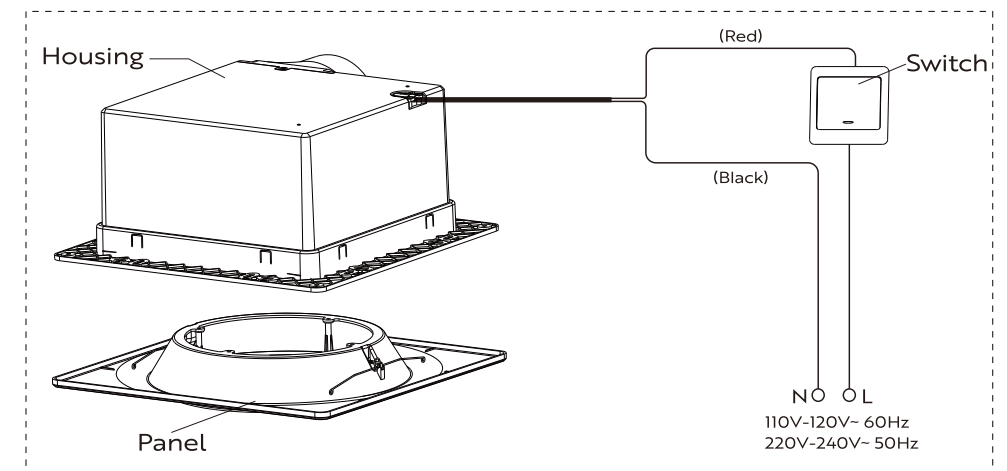
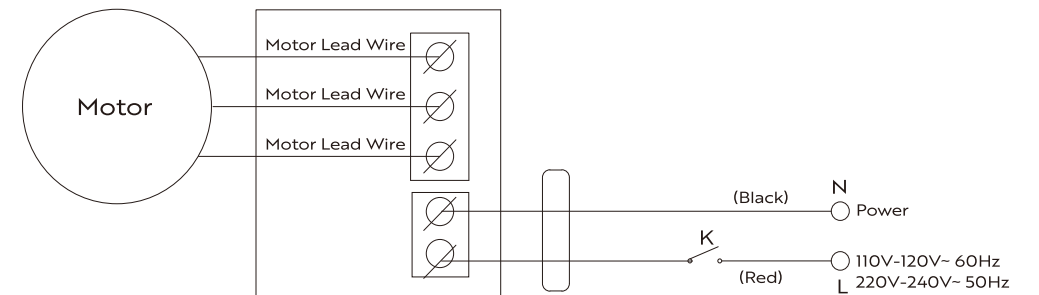
SPECIFICATIONS		
SKU	VH1796	VH1797
Motor Power	45W	45W
Noise Level	1 sone	0.1-1-1.5 sone
Voltage	110V-120V	110V-120V
Fans Power	12.5W	45W
Frequency	50-60Hz	50-60Hz
Air Volume	110 CFM	30-160 CFM
Airflow Output (CFM)	110-130 CFM	30-180 CFM
Rotate Speed	690-1200 RPM	330-1745 RPM

N Black

L Red

SECTION C

Wiring Diagram



PLANNING INSTALLATION

Before starting the installation, ensure that all parts are present. Compare the parts with the package contents list and hardware list. If any part is missing or damaged, do not proceed with the installation.



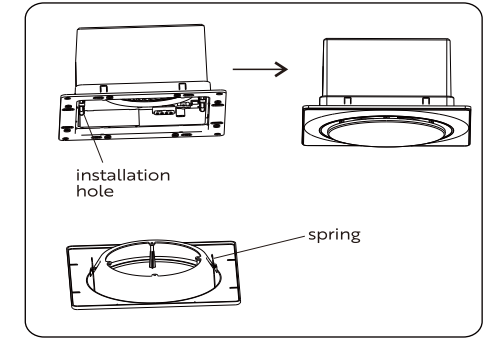
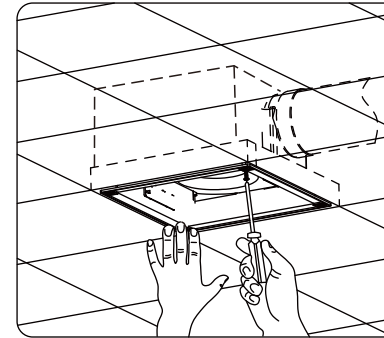
WARNING: Turn off the power at the breaker box before beginning installation.



NOTE: Wiring configuration may vary depending on your previous fan setup.

Some components needed for installation may not be included. Additional supplies can be found at your local hardware store.

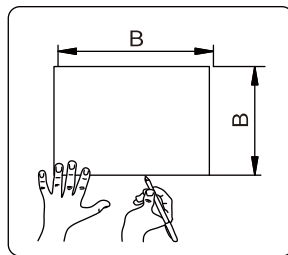
1. Carefully remove the fan from the packaging and ensure all components are included.
2. Verify that the area above the installation location allows for proper wiring, ductwork, and ventilation.
3. Inspect the ductwork and wiring before proceeding with the installation.
4. Choose an installation location that allows access for future maintenance or inspections without having to remove the entire fan.
5. Installation may require two people – one working from the attic and one in the room – to safely position and secure the fan housing.



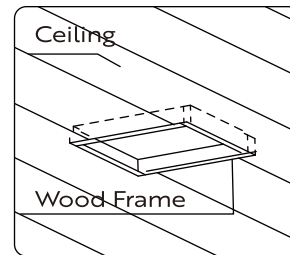
5. Screw the base of the fan into the wood frame.
Add angle brackets for extra support if needed.

6. Squeeze the spring clips on the grille and align them with the mounting slots.
Securely install and fasten the panel in place.

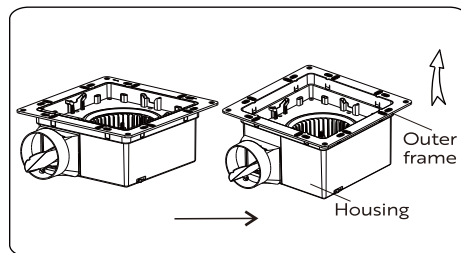
SECTION D Installation-Template



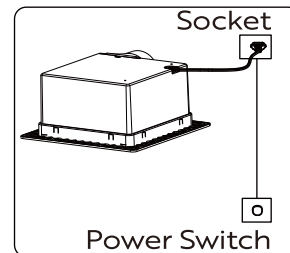
1. Cut the ceiling along the marked track size B*B.



2. Fix the wood frame onto the ceiling.



3. Lift the housing and securely snap the outer frame buckle into the groove inside the box. Connect the power either separately to a switch or in parallel with the fan circuit.

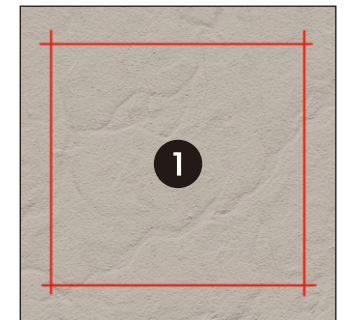


4. Plug the power cord into a standard two-prong socket or connect to a switch circuit.
Test the connection before final assembly.

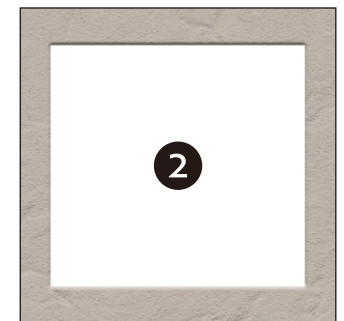
SECTION E Installation-Operating Instructions



1. Mark the Ceiling
Draw a square measuring 11.6" x 11.6" on the ceiling where you plan to install the fan.

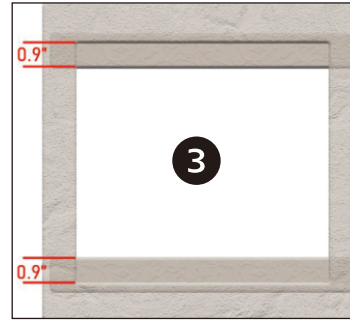


2. Cut the Square Opening
Use the appropriate tools to carefully cut out the square you marked in step 1.



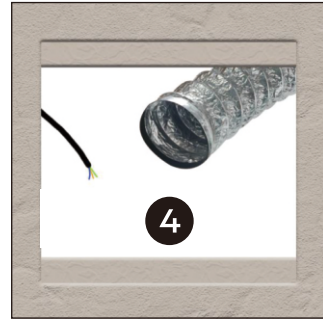
3. Prepare Wooden Support Boards

Take two wooden boards, each measuring 3" wide, 1" thick, and 14" long. The boards should be sturdy. Place them inside the square opening, projecting approximately 0.9" from the ceiling. Secure the boards firmly to the ceiling using nails or screws.



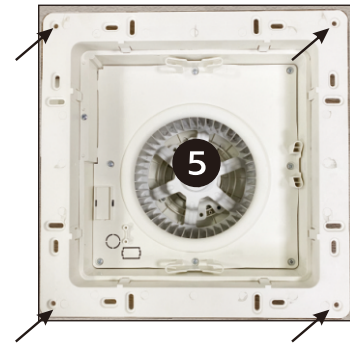
4. Set Up Ventilation Duct and Power Cord

Before proceeding, prepare the ventilation duct and power cord. Connect the ventilation duct to the fan's outlet, and connect the power cord from the fan to the control switch. The control switch will allow you to operate the fan. Refer to the wiring diagram in Chapter 2 for guidance. If you are not familiar with electrical work, please hire a licensed electrician to handle the wiring.



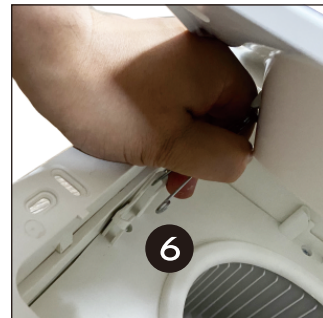
5. Install the Fan

Once the duct and wiring are connected, carefully insert the fan into the square opening. Use screws to secure the fan in place, following the direction indicated by the arrow in the provided image.



6. Attach the Panel

Grip the spring clips on both sides of the panel and align them with the installation holes on the fan unit. Once aligned, firmly secure and fasten the panel into place.



7. Installation Complete

Congratulations! Your exhaust fan installation is now complete.



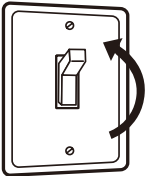
SECTION F

Ventilation Fan Operation



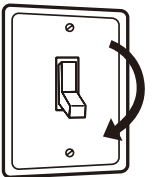
1. Turning the Fan On

Flip the wall switch to the ON position to activate the fan.



2. Turning the Fan Off

Flip the wall switch to the OFF position to deactivate the fan.



SKU	Humidity Level	Mode	Airflow (CFM)
VH1797	Less than or equal to 60%	Quiet Mode	30 CFM
	Between 50% and 80%	Normal Mode	110 CFM
	Above 80%	Storm Mode	160 CFM

NOTE: The product's humidity sensor cannot be manually adjusted. The fan automatically adjusts its airflow based on the surrounding humidity levels.



Problem	Solution	
The fan seems louder than it should	CFM is too high for the room size	Make sure the fan's CFM rating matches the square footage of your room.
	Damper is damaged or not working properly	Check that the damper opens and closes correctly. Contact Customer Service if damaged.
	Duct bend is too close to the fan discharge	Ensure there are no sharp bends in the duct within 18 inches of the fan discharge.
	Fan discharge was reduced to fit smaller ducting	Use the recommended duct size to prevent noise.
	Fan is not securely mounted	Check that the fan body is firmly attached to the ceiling joists.
The fan is not clearing the room	Insufficient airflow intake	Keep a door or window slightly open to allow fresh air to enter the room.
	CFM is too low for the room size	Ensure the fan's CFM rating is appropriate for the room's square footage. NOTE: Holding a tissue near the fan is not a reliable test. If the fan clears steam within ~15 minutes after a shower, it is functioning properly.



1. Read all instructions and safety warnings before beginning installation. Review the exploded view diagram provided.
2. Disconnect power at the circuit breaker or by removing the fuse before performing any electrical work. This ensures full disconnection from the power supply.
3. All electrical work must be performed by a licensed and qualified electrician.
4. Use common sense and exercise caution throughout the installation and operation of this product.
5. This product is not intended for use by individuals (including children) with reduced physical, sensory, or mental capabilities, or those lacking experience and knowledge, unless they are supervised or instructed by a person responsible for their safety.
6. Children must be supervised to ensure they do not play with the appliance.
7. Use a power cord rated for at least 10 amps.
8. Do not cut or notch joists, beams, or rafters to install the fan.
9. Be careful not to damage hidden electrical wiring or plumbing when cutting into the ceiling.
10. Install the fan so that switches and controls are out of reach of anyone using a bath or shower.
11. Do not install the fan directly above a shower or bathtub, or in any location where it could be splashed with water.
12. After installation, verify that all connections are secure to prevent the unit from falling and causing injury or property damage.
13. Do not insert objects through the fascia grille.
14. If the power cord is damaged, it must be replaced by the manufacturer, their service agent, or a qualified electrician using only manufacturer-approved parts.
15. Do not install or use the fan outdoors or in any area where it could be exposed to water or moisture. Indoor use only.
16. The fan should be mounted at least 2.3 meters (7.5 feet) above the floor.
17. A multi-pole switch is required for installation. The gap between contacts must be at least 3 mm.
18. Use vent covers to prevent the entry of water or insects into the ducting system.



1. Turn off the power before performing any maintenance.
2. Remove the louver, cover, and fan blade. Clean these parts with water and a brush. Use a soft cloth and a mild detergent to wipe off grease. Do not use water over 60°C (140°F), petroleum-based products, benzene, thinner, or any other harsh solvents.
Important: Do not allow water to enter the motor.
3. Dry all cleaned parts thoroughly using a soft dry cloth or allow them to air dry completely. Reassemble all parts in the reverse order of removal.
4. During the warranty period, if the fan malfunctions due to manufacturing defects under normal use, it will be repaired or replaced free of charge.
5. After the warranty period, repair services are not provided, but you may contact our customer support team for maintenance advice.
6. The warranty does not cover the following cases:
 - Use of non-original or third-party replacement parts.
 - Malfunctions caused by incorrect operation, improper maintenance, unauthorized repair, force majeure events, or other external factors.



The VIVOHOME warranty program is our commitment to you. We are committed to providing you with a high-quality product that meets your needs and expectations. To demonstrate our confidence in the durability and performance of our products, we offer the following warranty.

WARRANTY COVERAGE

This warranty applies to all orders, purchases, or use of products sold only by VIVOHOME and is valid for 1 year from the purchase date. Please note, this warranty only covers the original order. If a replacement is provided within the warranty period, it does not extend the warranty.

WARRANTY EXCLUSIONS

This warranty does not cover damages caused by misuse, accidents, unauthorized modifications, or any factors unrelated to product manufacturing and design, including but not limited to:

- Loss of parts during use.
- Normal wear and tear of products or parts.
- Incorrect installation (e.g., using the wrong voltage) or improper assembly.
- Overloading the product's bearing capacity.
- Usage in extremely harsh conditions.
- Improper cleaning or lack of maintenance.
- Damage resulting from unintended use of the product.
- Damage resulting from unauthorized modifications or service.
- Indirect losses or damages related to the product.

HOW TO MAKE A WARRANTY CLAIM

If you encounter any defects affecting the product's functionality or if the product fails and cannot be repaired during the warranty period, please reach out to our customer service team via email, Amazon, or our app's messaging service at your earliest convenience. To expedite your claim, kindly include:

- Order number
- Photos and/or videos illustrating the issue
- A detailed description of the problem

VIVOHOME will provide technical support, replacement, refund, or other solutions based on the issue's specifics. If you wish to return the original package for any reason, please contact us for confirmation before initiating the return. You can expect a response within 48 hours.

Thank you for choosing VIVOHOME. We are dedicated to ensuring your satisfaction and the quality of your purchase. If you have any questions or need further assistance, please don't hesitate to reach out to our customer service team.