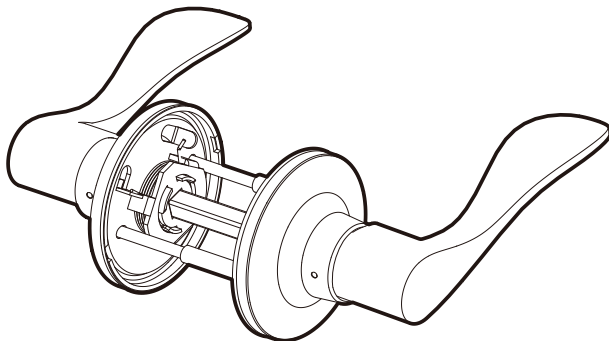


Veise

Installation Instructions of Lever (7803)



Tutorial Video

Scan the QR code to get the video.

Need Help? Contact Us!

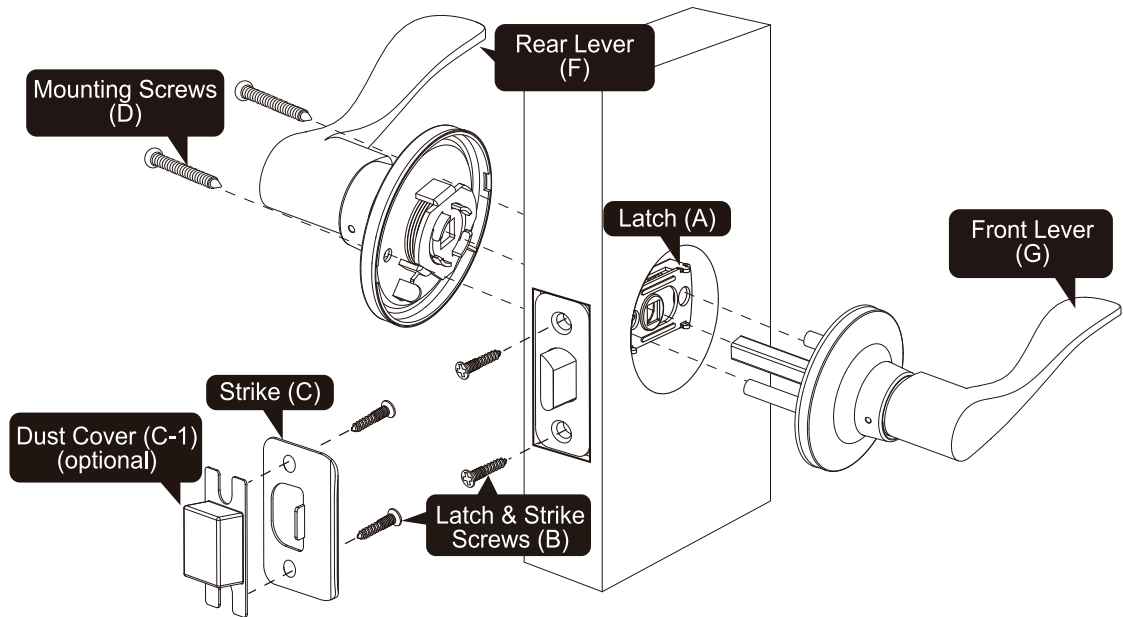
Call us at **+1(855)400-3853** (Monday-Friday 9:00am-5:00pm PST),
if you have any questions.  support@iveise.com  iveise.com



Content

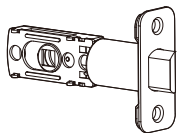
- Parts List 01
- Prepare the Door & Check Dimensions 02
- Latch Adjustment 03
- Install the Latch & Strike 04
- Reverse Lever Direction (Optional) 05
- Install Front and Rear Lever 07

► Installation Overview



▶ Parts List

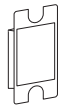
A Latch x1



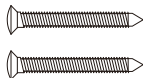
B Latch & Strike Screws x4



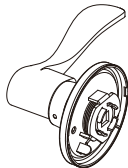
C Strike x1 **C-1** Dust Cover x1 (optional)



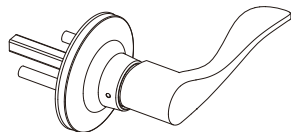
D Mounting Screws x2 **E** Reset Tool x1



F Rear Lever x1



G Front Lever x1



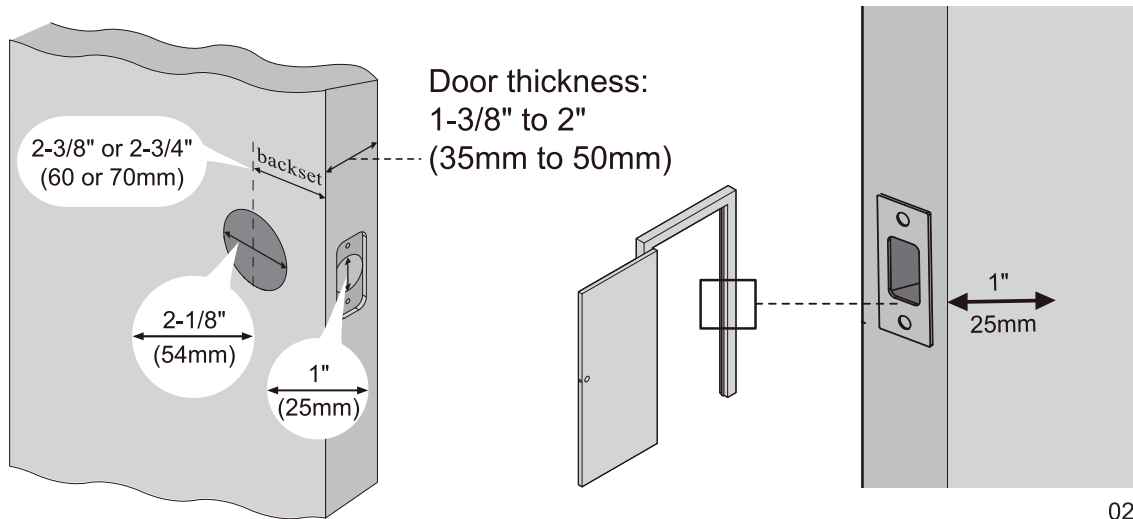
TOOL REQUIRED:



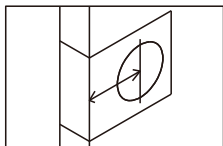
Do not use an electric screwdriver during installation.

Prepare the Door & Check Dimensions

If your door already has the holes shown in the picture below, proceed to the next step; if your door does not have holes, use the mounting template to drill a new hole.

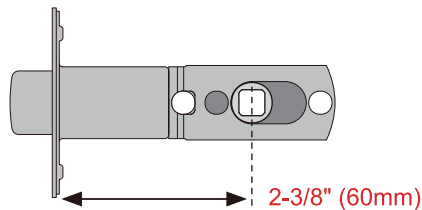


Latch Adjustment

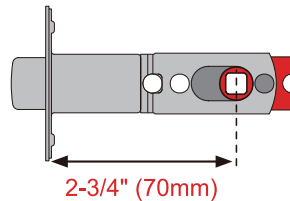
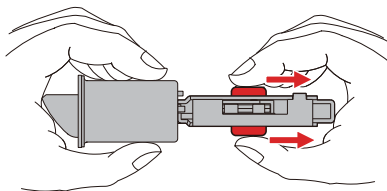
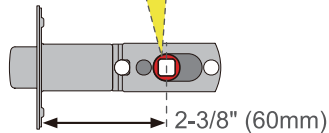


Backset is the distance from the door edge to the center of the hole in the door.

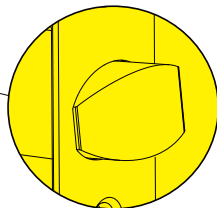
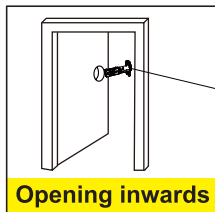
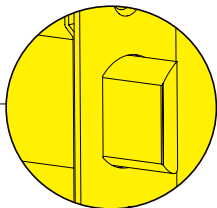
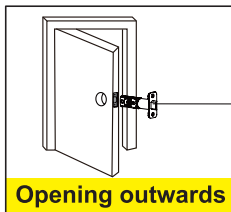
- 1** If the backset of your door is 2-3/8" (60mm), there is no need to adjust the Latch.



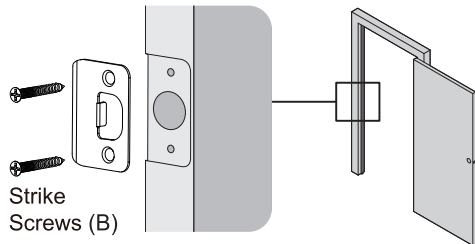
- 2** If the backset of your door is 2-3/4" (70mm), please adjust the Latch.



Install the Latch

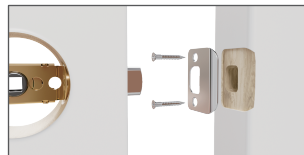


Install the Strike



Note: The bevel of the Latch should be aligned with the bevel of the Strike.

Opening outwards



Opening inwards



Reverse Lever Direction (Optional)

IMPORTANT:

The Front Lever is installed for a right-handed door by default. If your door is left-handed, please exchange the Front and Rear Lever with each other.

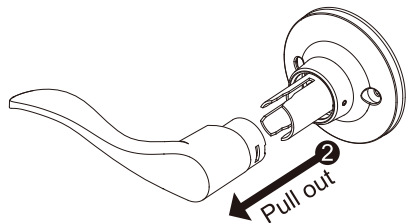
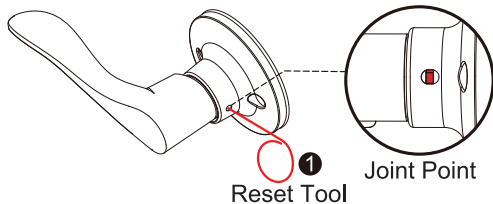
WARM REMINDER:

While you exchange the lever direction, the edge of the inner mechanism may be a little sharp, please protect your hands from being hurt.

1 Rear Lever Disassembly Steps:

1. Locate the Joint Point through the hole in the housing.

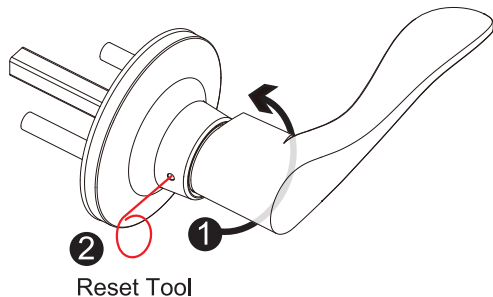
2. Press the Joint Point with the Reset Tool and pull out the lever simultaneously.



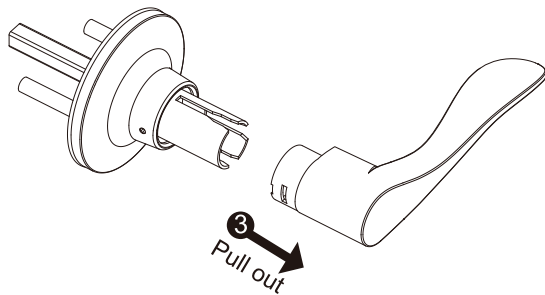
Reverse Lever Direction (Optional)

2 Front Lever Disassembly Steps:

1. Rotate the lever and locate the Joint Point through the hole in the housing.

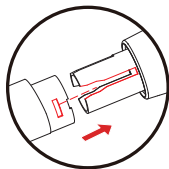


2. Press the Joint Point with the Reset Tool until it is fully depressed, then pull out the lever.



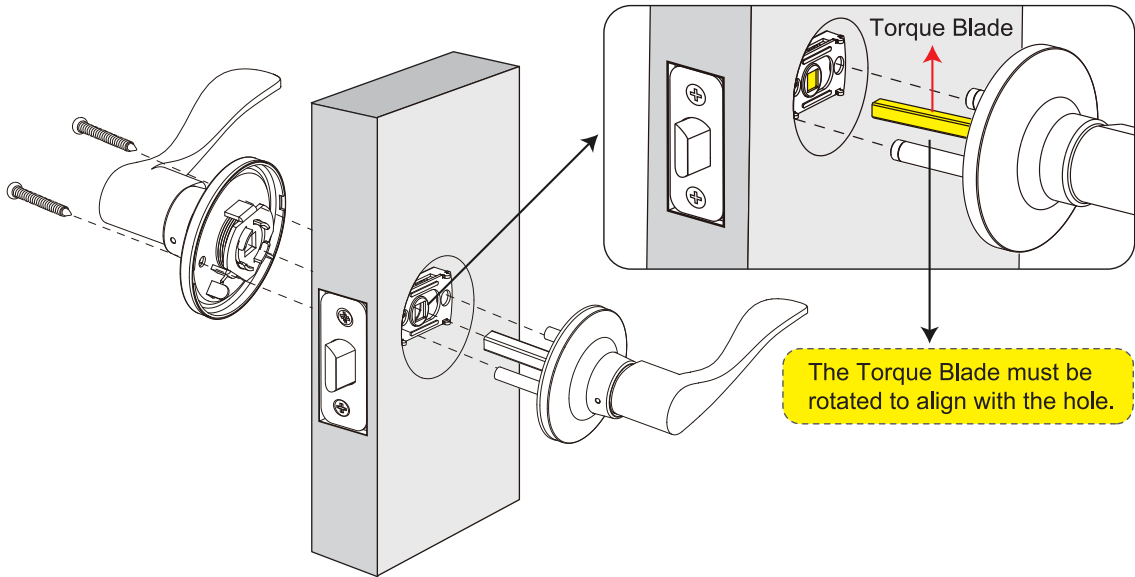
3 Exchange the Levers.

Swap the Front and Rear Lever, then install each lever until it is firmly secured.



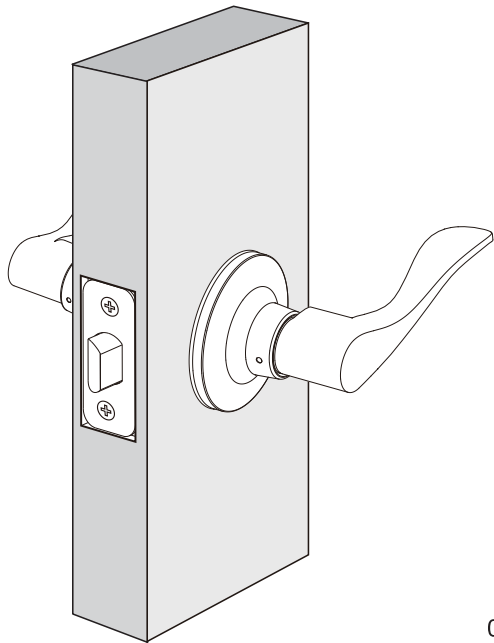
Align the hole with the inside Joint Point.

Install Front and Rear Lever



Test the Lever

Keep the door open, and check the Front and Rear Lever to test if they work smoothly.



Need Help? Contact Us!

If you have any questions, please contact us at

 **+1(855)400-3853**

(Monday-Friday 9:00am-5:00pm PST)

 **support@iveise.com**  **iveise.com**

If you have your ***order ID***, **videos or images of your problem** (if necessary) ready before contacting Customer Support, we will solve your problem faster and better.