

DRAIN KIT INSTALLATION INSTRUCTIONS

(Combination Drain Kit...for outdoor or indoor sleeve drainage.)

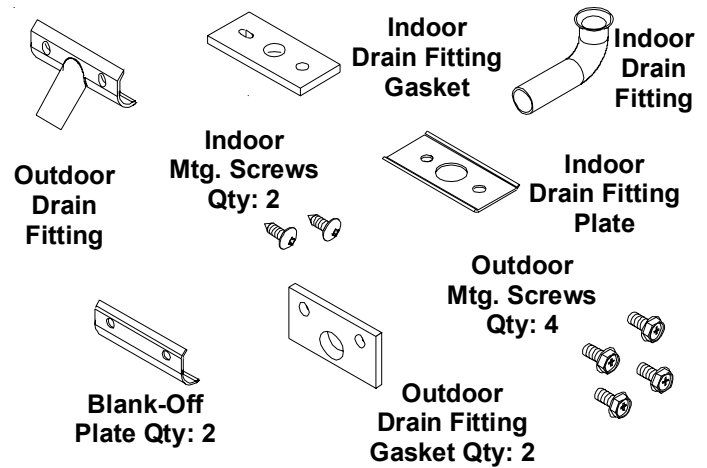
The installation and servicing of the equipment should be done by qualified experienced technicians.

Description

This kit is used to control condensate from the unit. Condensate water drains from the chassis into the sleeve during normal heat pump operation and during times of high humidity when the unit is in cooling operation. The drain kit allows the condensate from the outdoor and indoor coils to be routed to a suitable area. It can be installed for either outdoor or indoor use. For outdoor use, the condensate can be drained from either the right- or left-hand side of the wall sleeve. Local codes will determine the proper condensate disposal. For indoor use, the drain components must be installed on the bottom of the wall sleeve and connected to a drain system inside the building.

NOTE: This drain kit serves only as a link between the unit and field-supplied condensate drain system. Installing the kit without connecting it to a drainage system will result in inadequate condensate removal, possible leakage and corrosion.

ALGAECIDE: Most algaecide products will cause damage to the unit basepan or coils and should not be used. Contact your sales representative for the recommended algaecide pan treatment for your unit.



Drain Kit Components

Installation for Outdoor Use

The drain components for outdoor use must be installed before the wall sleeve condenser grille.

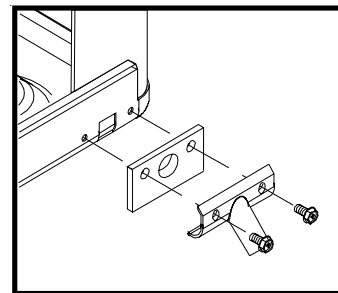
1. Remove the rear enclosure panel and the sleeve stiffener. **NOTE:** These items can be removed from the inside of the building.
2. Install the outdoor drain fitting and one of the outdoor drain fitting gaskets over one of the drain holes on the rear of the wall sleeve using two of the provided outdoor mounting screws.
3. Cover and seal the remaining drain hole using the remaining outdoor drain gasket, blank-off plate and outdoor screws.

If unit chassis installed right away

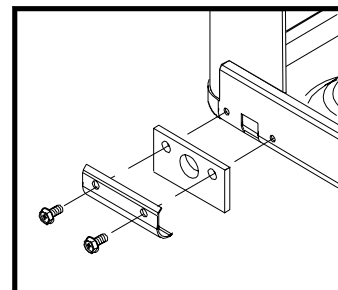
Install the condenser grille to wall sleeve with hardware provided. See condenser grille installation instructions.

If unit chassis is not installed right away

Replace the rear enclosure panel in the wall sleeve to protect the inside of the building from weather damage.



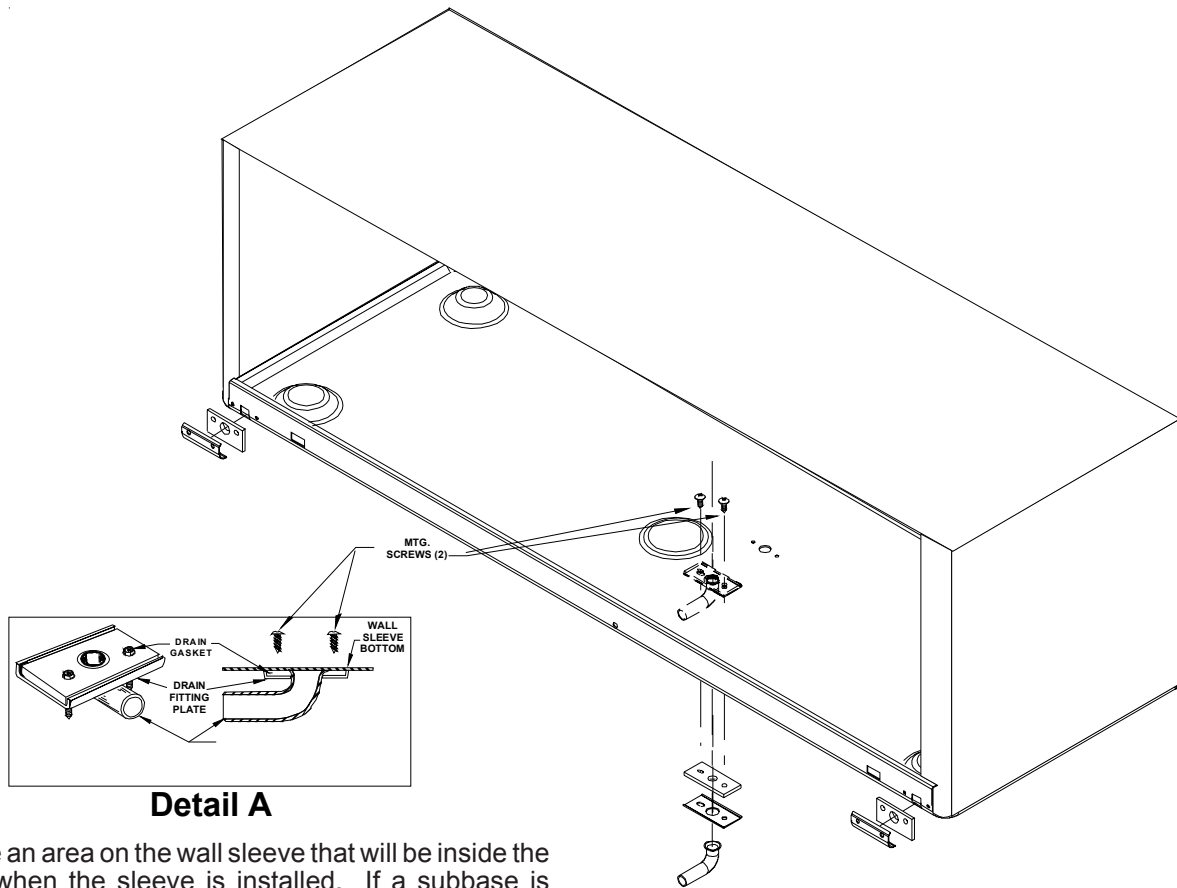
Outdoor Drain Fitting Installation



Blank-Off Installation

Installation for Indoor Use

The components of the wall sleeve drain kit for indoor use are shown in figure below. **These components must be installed prior to the installation of the wall sleeve.**

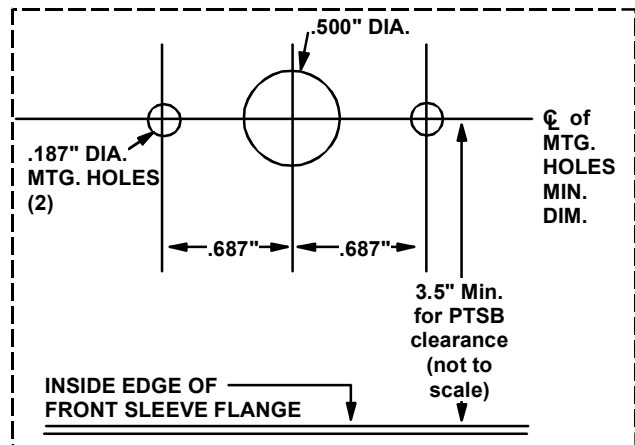


Detail A

1. Locate an area on the wall sleeve that will be inside the room when the sleeve is installed. If a subbase is installed, locate the kit a minimum of 3 1/2" from the front flange of the wall sleeve. This clearance will provide adequate clearance for the subbase.
2. Cutout the template shown to the right. Using this template, locate and drill the drain kit holes as close to the outside wall as possible.
3. Using detail A (above) as a guide, assemble the drain gasket, drain fitting plate, and indoor drain fitting together. Install the assembly into the drilled holes and secure using the two indoor mounting screws provided. The screws must be inserted **INSIDE** the wall sleeve and **TOP** driven down into the drain fitting plate. Ensure drain tube is not restricted. Cover the two screw heads with a good quality outdoor caulking (not supplied) for additional corrosion protection.

NOTE: If the drain fitting is not connected to an indoor drainage system immediately after the wall sleeve is installed; plug the hole with cork (not included) to prevent indoor water damage in case it rains.

4. Install a 1/2" ID tube or hose (not included) on the drain fitting and interconnect it to the drain system inside of the building. Ensure that there are no kinks or traps in tube or hose. Kinks or traps can cause improper drainage.
5. Install the two drain blank-off plates and outdoor drain gaskets on the outdoor portion of the wall sleeve as shown in the figure above. These components can be installed after the sleeve is secured in the wall opening just prior to the installation of the condenser grille and chassis.



Template

Due to policy of continual product improvement, the right is reserved to change specifications and design without notice.

